

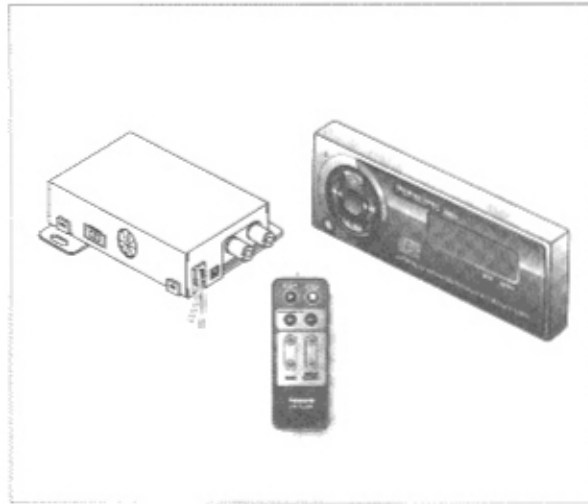
Universal FM Modulator/Controller  
(with Wireless Remote)

## CY-RM850/800EUC

# Operating Instructions

Find the model number and serial number on either the back or bottom of the unit. Please record them in the space below and retain this booklet as a permanent record of your purchase to aid in identification in case of theft.

MODEL NUMBER CY-RM850/800EUC SERIAL NUMBER \_\_\_\_\_  
DATE PURCHASED \_\_\_\_\_ FROM \_\_\_\_\_



## Panasonic®

Please read these instructions completely before operating this unit.

*Panasonic welcomes you to our ever growing family of electronic product owners. We know that this product will bring you many hours of enjoyment. Our reputation is built on precise electronic and mechanical engineering, manufactured with carefully selected components and assembled by people who take pride in their work. Once you discover the quality, reliability and value we have built into this product, you too will be proud to be a member of our family.*

### Usage: \_\_\_\_\_

This controller is mainly used with CD changers (CX-DP801EUC, etc) by connecting it to the antenna jack for your existing FM car stereo (radio) for your listening enjoyment.

**Note:** The remote control unit is supplied only with CY-RM850EUC.

### Use This Equipment Safely \_\_\_\_\_

#### When Driving

Keep the volume level low enough to be aware of road and traffic conditions.

#### When Parked

Parking in direct sunlight can produce very high temperatures inside your vehicle. Give the interior a chance to cool down before switching the unit on.

#### Use the Proper Power Supply

This equipment is designed to operate off a 12 volt, negative ground battery system. (The normal system in a North American car.)

#### Use Authorized Servicenters

Do not attempt to disassemble or adjust this precision equipment. Please refer to the Servicenter list included with this product for service assistance.

# Installation Instructions

## Installation Precautions

- This equipment, if possible, should be installed by a professional installer. In case of difficulty, please consult your nearest authorized PASC, Panasonic (in Canada) Servicenter.
- Before installation and wiring, remove the negative (-) terminal of the battery.

**Note :** For installation in cars with trip or navigational computers, all electronic memory settings previously registered in the computer will be lost when the battery terminal is disconnected. For this type of car, the battery should not be disconnected. Therefore, extra care should be taken to prevent short circuiting.

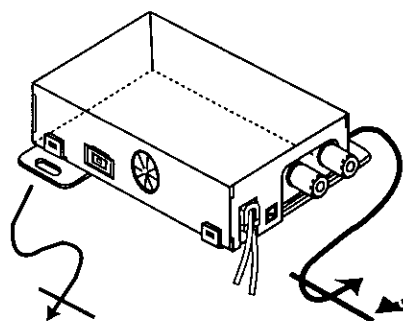
- Insulate all exposed wires to prevent short circuiting.
- Avoid installing the remote control unit or the Display Control Unit in a place where it may be exposed to direct sunlight and high temperature.

## Supplied Hardware

Description	Q'ty.
Magic Tape	1

### 1. Installation of the Main Control Unit

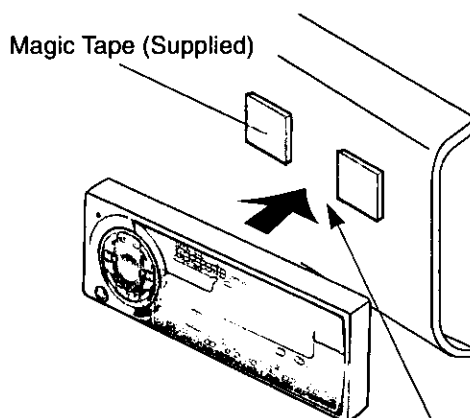
Mount the Main Control unit on the carpet.



Cut the carpet in accordance with the bracket, and insert the bracket into the slit.

### 2. Installation of the Display Control Unit

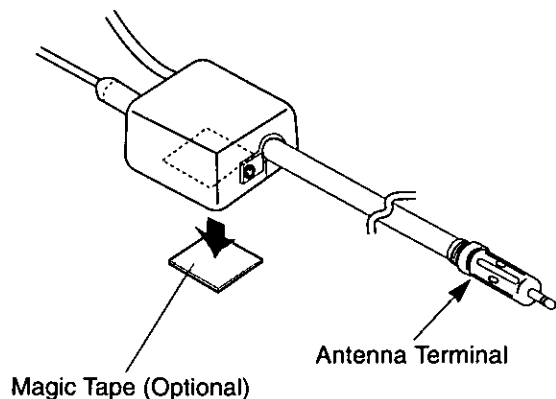
Mount the Display Control Unit on the console.



Separate the magic tape and put them on the face of the console not to lean the Unit.

### 3. Installation of the Antenna Switch

Mount the Antenna Switch on the inner side of the console.



#### Caution:

Please wipe clean the face of the console to put on the magic tape.

# Specifications

---

Power Supply	: 12V DC (11V -16V) Test Voltage 14.4V, Negative Ground
Current Consumption	: 0.65A (If connected to CX-DP801EUC, at CD play mode)
CD Input Impedance	: 10k $\Omega$
CD Input Level	: 2 Vrms (1 kHz)
Transmitting Frequency	: 87.9 - 99.9 MHz 0.2 MHz/Step
Dimensions (W x H x D)	
Main Control Unit	: 2-3/4" x 1-3/16" x 4-11/32" (70 x 30 x 110 mm)
Display Control Unit	: 4-17/32" x 1-3/4" x 7/8" (115 x 44 x 22 mm)
Antenna Switch	: 1-21/32" x 7/8" x 2-7/32" (42 x 21 x 56 mm)
Remote Control Unit	: 1-9/32" x 9/32" x 3-3/8" (33 x 7 x 86 mm) <Only for RM850EUC>
Weight	
Main Control Unit	: 8 oz (230g)
Display Control Unit	: 4 oz (122g)
Antenna Switch	: 3 oz (80g)
Remote Control Unit	: 0.5 oz (13g) <Only for RM850EUC>

**Panasonic Consumer Electronics Company, Division of Matsushita Electric Corporation of America**  
One Panasonic Way, Secaucus,  
New Jersey 07094

**Panasonic Sales Company, Division of Matsushita Electric of Puerto Rico, Inc. ("PSC")**  
Ave. 65 de Infanteria, Km. 9.5  
San Gabriel Industrial Park, Carolina,  
Puerto Rico 00985

**Panasonic Canada Inc.**  
5770 Ambler Drive,  
Mississauga, Ontario L4W 2T3

YEFM282866

B1297-0

Printed in Japan

# Accessories

---

- |                                      |  |
|--------------------------------------|--|
| 1. Operating Instructions.....1      | 4. Directory of PASC Factory Servicenter .....1                            |
| 2. Installation Hardwares .....1 set | 5. Remote Control Unit <Only for RM850EUC>.....1                           |
| 3. Limited Warranty Card.....1       | 6. Battery (Remote Control Unit)<br><Only for RM850EUC>.....1 set (CR2025) |

# Maintenance

---

Your product is designed and manufactured to ensure a minimum of maintenance. Use a soft cloth for routine exterior cleaning. Never use benzene, thinner or other solvent.

# Product Servicing

---

If you are in doubt about the check point, or if the remedies indicated on the chart don't solve the problem, refer to the enclosed directory of PASC, Panasonic (in Canada) authorized Servicenter.

# Replacing the Fuse

---

Use fuses of the same specified rating (3 amps). Using different substitutes or fuses with higher ratings, or connecting the unit directly without a fuse, could cause fire or damage to the stereo unit.  
If the replacement fuse fails, contact your nearest PASC, Panasonic (in Canada) Servicenter for service.

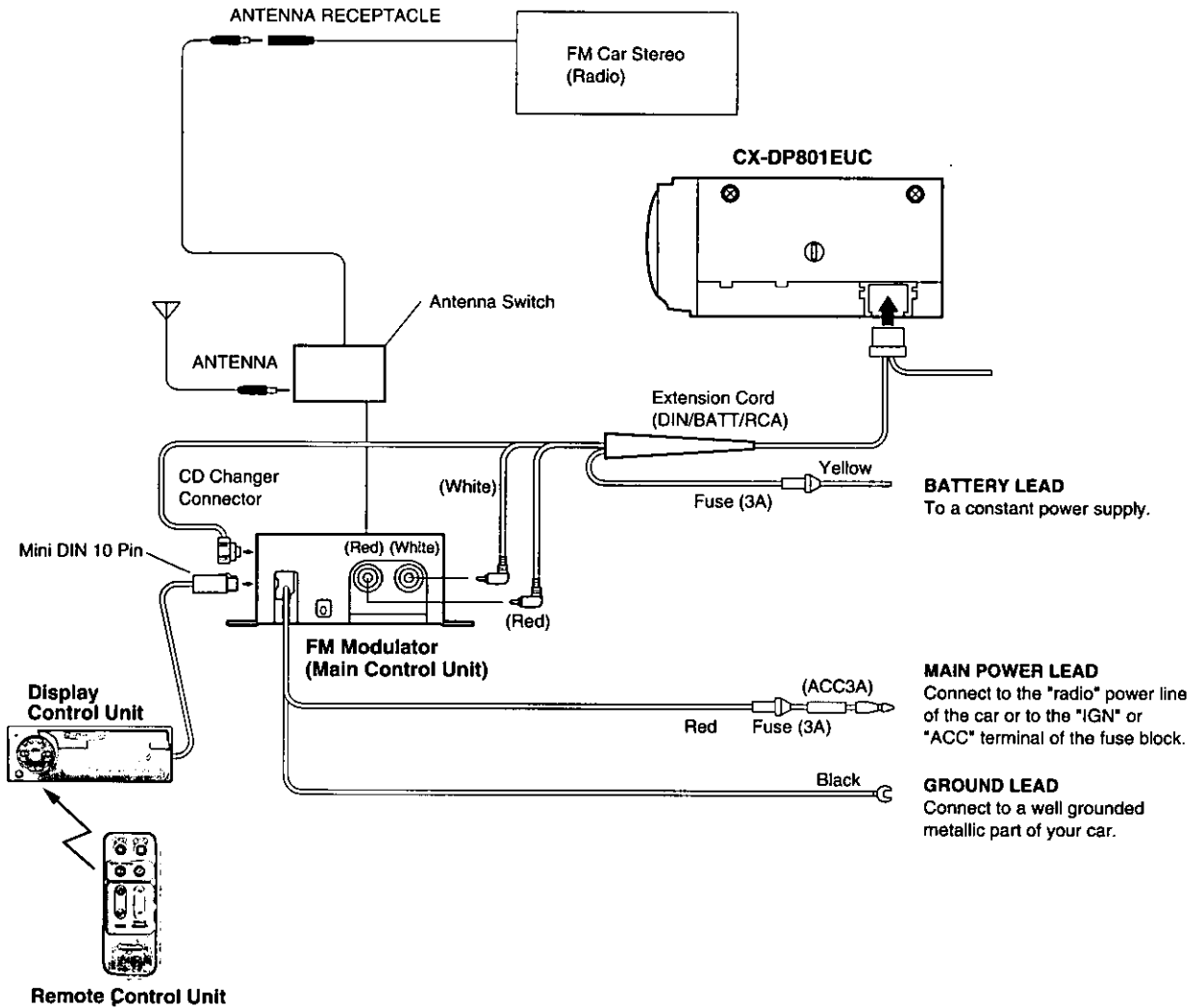
# Helpful Hints

---

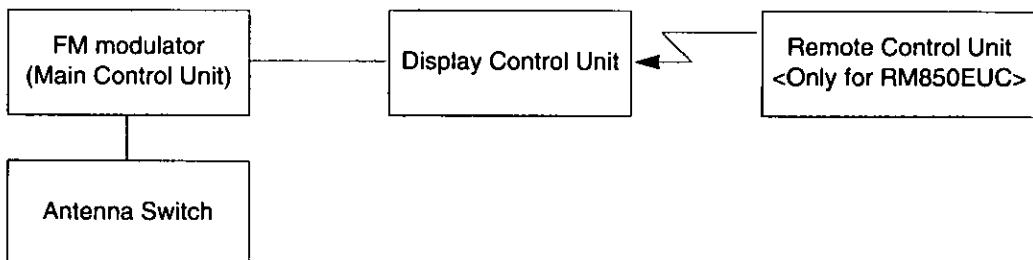
- The operating temperature of the CD Changer is +14°F (-10°C) to +131°F (+55°C).
- Improper installation of the unit and/or driving on poorly paved roads may cause the CD Changer to skip during music playback. (Please note: the disc and unit will not be damaged by these conditions.)
- Please detach the Panasonic Purchase Information Card from the Warranty Card. Fill it in and mail it to us at your earliest convenience. It will help us serve you better and enable us to contact you in the event it becomes necessary to do so.
- Please read your Limited Warranty Card.

# Electrical Connection

- This system is to be used only in a 12-volt, DC battery system (car) with negative ground.
- Follow the wiring connection diagram. Failure to do so may result in damage to the unit.
- Please carefully read the operating and installation instructions of the respective equipment before connecting it to this unit.
- CA-CD55EUC (Dual CD Changer Selector) cannot be connected.

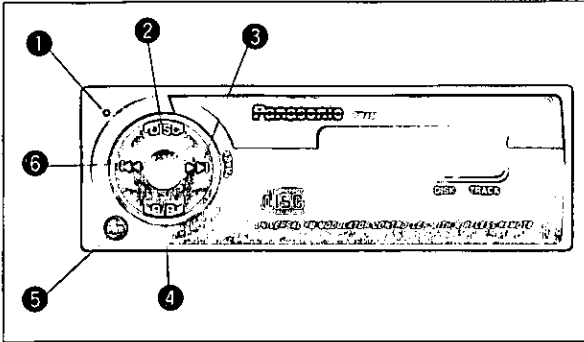


# Composition



# Display Control Unit Operation

## ■ Names of Controls and Functions



The following description is based on the assumption that this unit is connected to the optional CD changer CX-DP801EUC, etc.

- ① Reset Button
- ② Disc Change Button
- ③ Track/Search Up Button
- ④ Repeat/Random Button
- ⑤ Power Button
- ⑥ Track/Search Down Button

## ■ For the first use

### To reset this unit

Use this unit for the first time, press the reset button when the ignition is on.

#### Note:

- Press the reset button if you removed display control unit and installed it again.
- Press the reset button when this unit does not work properly.
- Press the reset button to return initialization.

To press the reset button, use the slender and strong stick.

### Setting Transmitting Frequency

1. Switch on the power of your car FM radio.
2. Press PWR to switch on the power of display control unit.
3. Press and hold PWR again for more than 2 seconds. Then, display changes to transmitting frequency.
4. Press ◀▶ to change and select the frequency, then press PWR to set.

Set frequency away from public FM stations. (away more than  $\pm 0.4$  MHz)

#### Note:

When you make sure the transmitting frequency, press and hold PWR for more than 2 seconds. And press PWR again to return.

## ■ Operating Procedures

### 1 To operate your car FM (stereo) radio

Switch on your car FM (stereo) radio.

### 2 Make sure the CD in the CD changer

### 3 To start disc play: PWR Button

- Press PWR on display control unit.
- Set the radio as your selected frequency of display control unit.

#### Note:

When you make sure the transmitting frequency, press and hold PWR for more than 2 seconds. And press PWR again to return.

### 4 To stop CD play (to switch to FM tuner) : PWR Button

Press PWR again to stop the CD playing. To listen a CD again, press PWR.

### 5 To select the disc : DISC Button

Press DISC sequentially advance to the next disc while disc plays.

## 6 To select the desired track on the disc: ►► ◀◀ button

- Press ►► once to go to the next track.
- Press ◀◀ once to play from the beginning of the track you are listening to. Press twice to play the previous track.
- Press repeatedly to skip the desired number of tracks.

## 7 To search a Track

Press and hold ►► or ◀◀ for more than a half second to activate fast forward or reverse through a track. Release ►► or ◀◀ to resume normal CD play from that position.

## 8 Repeat/Random Play : R/R ► Button

- ① Press R/R ► to repeat the current selection. ("REPEAT" indicator lights.)  
Press R/R ► again to cancel.
- ② Press and hold R/R ► for more than 2 seconds. A random selection of music is played from all available tracks. ("RANDOM" indicator lights.)  
Press and hold R/R ► again for more than 2 seconds to cancel.

**Note:** In random play mode, the tracks are played at random as selected by the built-in microcomputer.

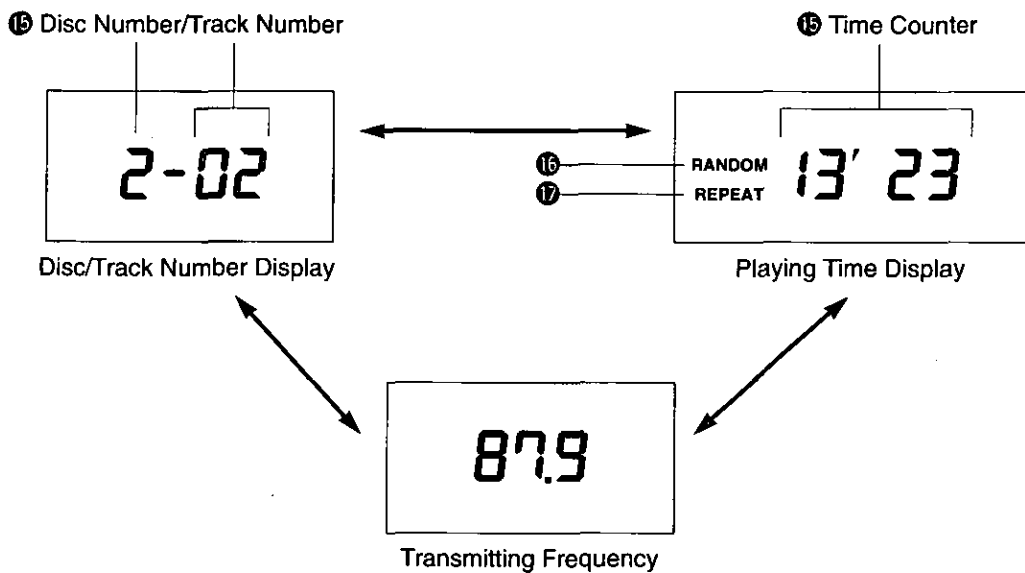
## 9 To power the modulator off

Press PWR on display control unit.

# Sensor Display

## Changing the Display : DISP button

Use the remote control unit, press DISP while a CD is playing to display playing time and disc/track number alternately.



### 15 Operating Mode Display

Lights the CD changer's operating mode display (disc/track number, playing time counter).

### 16 RANDOM Indicator

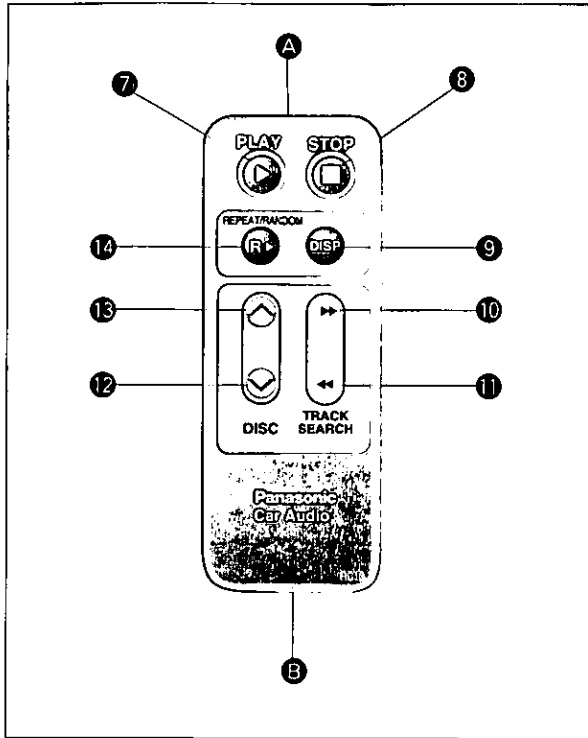
Lights when the random play mode is activated.

### 17 REPEAT Indicator

Lights when the repeat mode is activated.

# Remote Control Unit Operation <Only for CY-RM850EUC>

## ■ Names of Controls and Functions



The following description is based on the assumption that this unit is connected to the optional CD changer CX-DP801EUC, etc.

- ⑦ Play Button
  - ⑧ Stop Button
  - ⑨ Display Change Button
  - ⑩ Track/Search Up Button
  - ⑪ Track/Search Down Button
  - ⑫ Disc Down Button
  - ⑬ Disc Up Button
  - ⑭ Repeat/Random Button
- Ⓐ Light Emitter  
Direct it to the Display Control Unit.
- Ⓑ Battery Case  
On the back. See the battery replacement method.

## ■ Operating Procedures

### 1 To operate your car FM (stereo) radio

Switch on your car FM (stereo) radio.

### 2 Make sure the CD in the CD changer

### 3 To start disc play

- Press PWR on display control unit.
- Set the radio as your selected frequency of display control unit.

Note:

When you make sure the transmitting frequency, use display control unit. Press and hold PWR for more than 2 seconds. And press PWR again to return.

### 4 To stop CD play (to switch to FM tuner) : STOP ■ Button

Press ■ to stop the CD playing. To listen a CD again, press Play ►.

### 5 To select the disc : DISC ^ DISC v

Press DISC ^ or v button during disc playback to select the desired number of discs.

## 6 To select the desired track on the disc: ►► ◀◀ button

- Press ►► once to go to the next track.
- Press ◀◀ once to play from the beginning of the track you are listening to. Press twice to play the previous track.
- Press repeatedly to skip the desired number of tracks.

## 7 To search a Track

Press and hold ►► or ◀◀ for more than a half second to activate fast forward or reverse through a track. Release ►► or ◀◀ to resume normal CD play from that position.

## 8 Repeat/Random Play : R ► Button

- ① Press R ► to repeat the current selection. ("REPEAT" indicator lights.)  
Press R ► again to cancel.
- ② Press and hold R ► for more than 2 seconds. A random selection of music is played from all available tracks. ("RANDOM" indicator lights.)  
Press and hold R ► again for more than 2 seconds to cancel.

**Note:** In random play mode, the tracks are played at random as selected by the built-in microcomputer.

# Battery Replacement (Remote Control Unit)

### 1. Remove the battery holder.

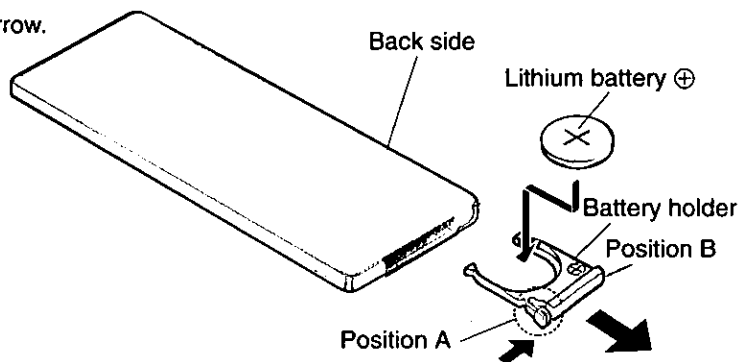
Pull the holder by Position B while pushing Position A in the direction indicated by the arrow.

### 2. Replace the battery.

Set a new battery properly with (+) side up as illustrated.

### 3. Insert the battery holder.

Push in the holder to the original position.



## Note on Batteries

Old batteries must immediately be removed and disposed of.

Battery Information:

- Designated Battery: Panasonic Lithium Battery (CR2025)
- Battery Life: 6 months with normal use (in normal room temperature)

### Caution:

- Improper use of batteries may cause overheating, explosion or ignition, resulting in injury or fire. Battery leakage may cause damage to the unit.
- Do not disassemble or short the batteries. Do not throw the batteries into a fire.
- To avoid the risk of accident, keep the batteries out of reach of children.



## Free Manuals Download Website

<http://myh66.com>

<http://usermanuals.us>

<http://www.somanuals.com>

<http://www.4manuals.cc>

<http://www.manual-lib.com>

<http://www.404manual.com>

<http://www.luxmanual.com>

<http://aubethermostatmanual.com>

Golf course search by state

<http://golfingnear.com>

Email search by domain

<http://emailbydomain.com>

Auto manuals search

<http://auto.somanuals.com>

TV manuals search

<http://tv.somanuals.com>