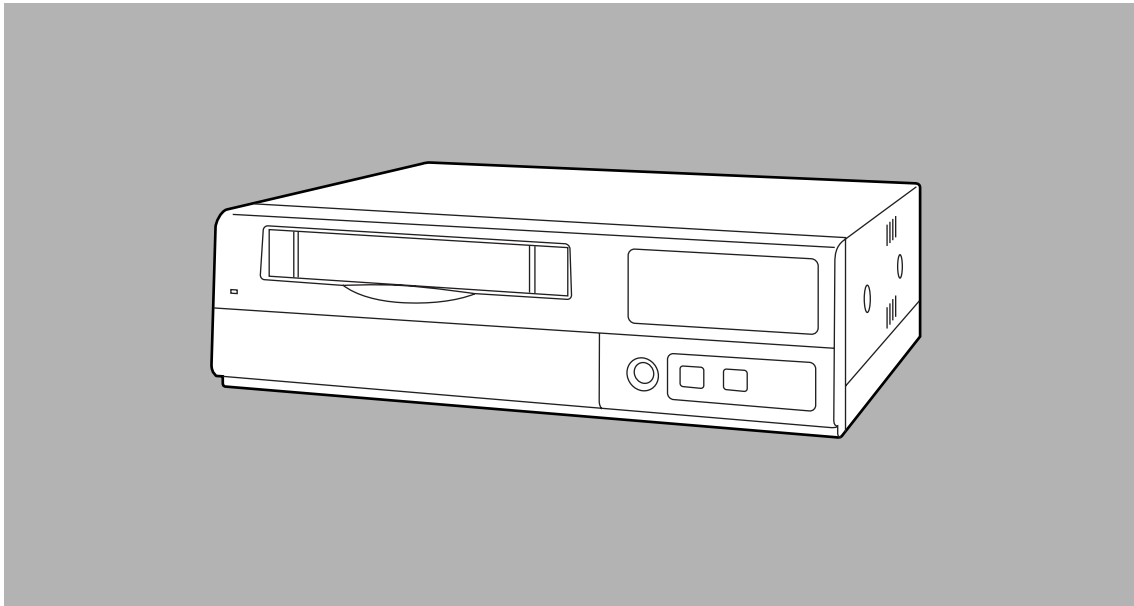


Operating Instructions

Digital Time Lapse
Video Cassette Recorder

DTL

Model AG-DTL1P



Panasonic[®]

Before attempting to connect, operate or adjust this product, please read these instructions completely.

Printed in Japan
VQT8822

F0600W 

P

IMPORTANT

“Unauthorized recording of copyrighted television programs, video tapes and other materials may infringe the right of copyright owners and be contrary to copyright laws.”



CAUTION

**RISK OF ELECTRIC SHOCK
DO NOT OPEN**



CAUTION: TO REDUCE THE RISK OF ELECTRIC SHOCK,
DO NOT REMOVE COVER (OR BACK).
NO USER SERVICEABLE PARTS INSIDE.
REFER TO SERVICING TO QUALIFIED SERVICE PERSONNEL.



The lightning flash with arrowhead symbol, within an equilateral triangle, is intended to alert the user to the presence of uninsulated “dangerous voltage” within the product’s enclosure that may be of sufficient magnitude to constitute a risk of electric shock to persons.



The exclamation point within an equilateral triangle is intended to alert the user to the presence of important operating and maintenance (service) instructions in the literature accompanying the appliance.

CAUTION:

Do not install or place this unit in a bookcase, built-in cabinet or in another confined space in order to keep well ventilated condition. Ensure that curtains and any other materials do not obstruct the ventilation condition to prevent risk of electric shock or fire hazard due to overheating.

WARNING:

TO REDUCE THE RISK OF FIRE OR SHOCK HAZARD, DO NOT EXPOSE THIS EQUIPMENT TO RAIN OR MOISTURE.

CAUTION:

TO REDUCE THE RISK OF FIRE OR SHOCK HAZARD AND ANNOYING INTERFERENCE, USE THE RECOMMENDED ACCESSORIES ONLY.

FCC Note:

This device complies with Part 15 of the FCC Rules. To assure continued compliance follow the attached installation instructions and do not make any unauthorized modifications.

This equipment has been tested and found to comply with the limits for a class A digital device, pursuant to Part 15 of the FCC Rules. These limits are designed to provide reasonable protection against harmful interference when the equipment is operated in a commercial environment. This equipment generates, uses, and can radiate radio frequency energy and, if not installed and used in accordance with the instruction manual, may cause harmful interference to radio communications. Operation of this equipment in a residential area is likely to cause harmful interference in which case the user will be required to correct the interference at his own expense.

Replace battery with part No. VL3032/1GUF only.
Use of another battery may present a risk of fire or explosion.
Caution—Battery may explode if mistreated.
Do not recharge, disassemble or dispose of in fire.

 indicates safety information.

- Do not insert fingers or any objects into the video cassette holder.
- Avoid operating or leaving the unit near strong magnetic fields. Be especially careful of large audio speakers.
- Avoid operating or storing the unit in an excessively hot, cold, or damp environment as this may result in damage both to the recorder and to the tape.
- Do not spray any cleaner or wax directly on the unit.
- If the unit is not going to be used for a length of time, protect it from dirt and dust.
- Do not leave a cassette in the recorder when not in use.
- Do not block the ventilation slots of the unit.
- Use this unit horizontally and do not place anything on the top panel.
- Cassette tape can be used only for one-side, one direction recording. Two-way or two-track recordings cannot be made.
- Cassette tape can be used for either Color or Black & White recording.
- Do not attempt to disassemble the recorder. There are no user serviceable parts inside.
- If any liquid spills inside the recorder, have the recorder examined for possible damage.
- Refer any needed servicing to authorized service personnel.

Contents

Features	4	Setting menus	39
Parts and their functions	5	Setting method	39
Front panel	5	Menu page P1	
Rear panel	10	TIME/DATE PRESET screen	40
Performing initial settings	11	REC LOCK screen	40
Setting the date and time	11	HOUR METER screen	40
Simple time adjustment	12	Menu page P2	
Simple date and time adjustment	13	DISPLAY screen	41
Setting the recording time mode and number of		REC LOSS INDICATOR screen	41
cameras	14	DAYLIGHT SAVING screen	42
Setting the recording mode	15	Menu page P3	
Frame recording and field recording	17	RECORDING T-MODE & CAMERA screen ...	43
Connections	18	Menu page P4	
Recording	20	RECORDING MODE screen	43
Playback	21	ALARM/SENSOR REC screen	44
Normal playback	21	Menu page P5	
Still-picture playback	21	VTR MODE SELECT screen	45
Changing over the screen display	22	Menu page P6	
Changing over the screen during playback	22	TAPE REMAIN screen	46
Changing between the 1-screen and 4-in-1 screen		REC REVIEW screen	46
display	22	ERROR WARN BUZZER screen	47
Switching between the cameras	22	REC WARNING screen	47
Useful functions	23	Menu page P7	
Memory stop	23	TERMINAL INPUT SELECT screen	48
Alarm recording and sensor (emergency)		TERMINAL OUTPUT SELECT screen	48
recording	24	VIDEO OUT SEQUENCE screen	49
Alarm memory recall and power loss memory		EXT SWITCHER screen	49
recall	26	Menu page P8	
Search playback (cue/review)	27	PROGRAM TIMER screen	50
Alarm search (alarm recording section search) ..	27	INTERNAL WEEKLY TIMER screen	50
Time/date search	28	Menu page P9	
Internal timer recording	29	FREE SET TIMER screen	51
External timer recording	33	Menu page P10	
Terminal connections	35	RS-232C PARAMETERS screen	52
Alarm recording connections	35	USER ID REC screen	52
Tape-end output connections	36	RS-232C interface	53
Auto OFF output connections and recording output		1. Hardware specifications	53
connections	36	(1) Interface specifications	53
External timer input connections	36	(2) Communication parameters	53
Time setting connections	37	2. Software specifications	54
External timer input connections	37	(1) External interface specifications	54
Terminal signal levels	38	(2) Transmitting format (PC → unit)	54
		(3) Receiving format (unit → PC)	55
		(4) List of commands	56
		Error messages	102
		Video head cleaning	103
		Condensation	103
		Maintenance	103
		Specifications	104

Features

Built-in frame switcher for supporting 16 cameras

- The unit also supports asynchronous cameras.
- The unit enables recording after the cameras are switched over automatically as dictated by the recording time mode.
- During recording, the cameras can be switched and their images viewed on a TV monitor at a time other than the recording timing which has been set.

Digital recordings with a high picture quality

Digital recordings with a high picture quality can be made on S-VHS tapes. The incorporation of high-performance A/D and D/A circuitry means that high-quality digital recording is possible even when recording after switching from one camera to another.

- High picture quality mode: 520 lines for horizontal resolution, 50 dB for S/N ratio
- Standard picture quality mode: 380 lines for horizontal resolution, 50 dB for S/N ratio

Wide selection of recording time modes

- There is a choice of 14 different recording time modes.

3 hours, 9 hours, 12 hours, 18 hours, 24 hours, 48 hours, 72 hours, 96 hours, 120 hours, 180 hours, 240 hours, 360 hours, 480 hours and 960 hours

- It is possible to switch between frame recording and field recording.

Camera-specific playback

During playback, any camera can be selected and its recording played back. During cue or review, as well, any camera can be selected and its recording played back.

Playback with 4 pictures simultaneously shown on the screen

The pictures recorded by four of the cameras can be selected and, by dividing the TV monitor screen into four parts, all of the four pictures can be played back at the same time on the respective parts of the screen.

Date/time search function

The recording date and time (month / day / hours / minutes) can be selected to initiate a search of the recorded data.

Alarm search function

Recorded data that includes alarm recordings can be searched.

High reliability and high durability

- IQ mechanism with top-notch reliability and durability
- Stable tape travel achieved using a 2DD reel motor
- Automatic head cleaning function for cleaning the head cylinder each time a tape is loaded

Space-saving design with 38 cm width and vertical installation capability

The unit can be installed upright on its left-side panel and secured using the special-purpose mounting brackets (optional accessory STEN-B6730).

- Do not install the unit upright on its right-side panel. This may cause the unit to malfunction.

On-screen setting functions

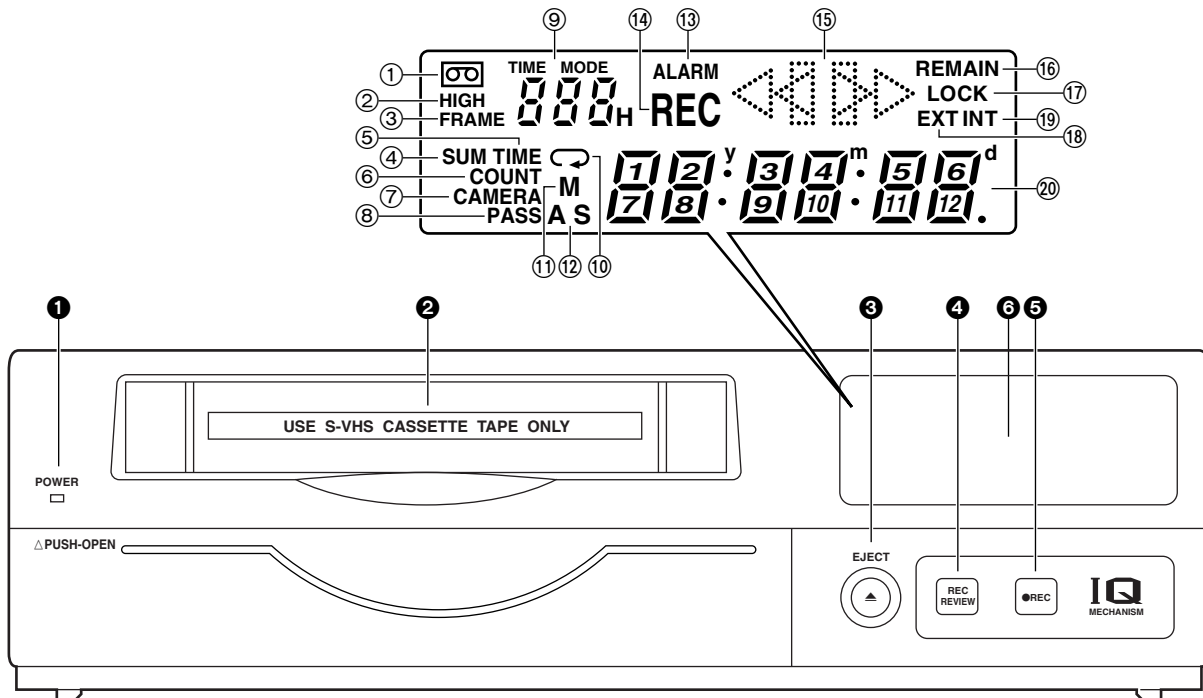
The unit's many and varied functions can be set on the monitor screen.

Other features

- 75Ω termination ON/OFF function provided for camera input (16) connectors
- Switching between 8 camera input connectors and 8 camera loop-through outputs possible
- RS-232C control facility
- Audio recording (in the 3-hour to 24-hour time modes)
- Simple clock adjustment functions
- Recording time and operating camera setting function
- Diverse internal timer and external timer functions

Parts and their functions

Front panel



1 POWER lamp

This lights when the power is turned on.

2 Cassette insertion slot

Always use S-VHS cassette tapes. If a VHS tape is inserted instead, it will be automatically ejected when the REC button is pressed. A cassette tape will also be ejected when the REC button is pressed if its accidental erasure prevention tab has been broken out.

This unit is designed to provide the high level of reliability required of a time lapse recorder for use in such applications as surveillance, security and monitoring.

In order to ensure that this unit will perform reliably in recording operations, it is recommended that the following Panasonic video tape be used:

S-VHS tape: ST-120 series (120-minute tape)

3 EJECT button

Press this to eject the cassette tape.
It will not work unless it is pressed firmly.

4 REC REVIEW button

Press this during recording to monitor what is being recorded. Several images captured a moment before the button was pressed are played back, and then the recording mode is restored. It takes about 10 seconds for the playback picture to appear.

5 REC button

Press this to start recording.

Parts and their functions

⑥ Display tube

①

Lights when a cassette tape is inserted.
It flashes when an error is detected as a result of the recording review.

② HIGH

Lights when a tape which was recorded in the high picture quality mode is being played back and when a tape is being recorded in the high picture quality mode.

③ FRAME

Lights when a tape which was recorded in the frame mode is being played back and when a tape is being recorded in the frame mode.

④ SUM

Lights when the time is displayed in the summer-time (daylight saving) mode.

⑤ TIME

Lights when the time is displayed.

⑥ COUNT

Lights when the tape counter value is displayed.

⑦ CAMERA

Lights when the camera number is displayed.

⑧ PASS

Lights when the number of repeated tape recordings (passes) is displayed.

⑨ TIME MODE

Indicates the recording time mode.

⑩

Lights when repeat recording has been set.

⑪ M

Lights when the memory stop mode has been set.

⑫ AS (S)

AS : Lights when the alarm search mode has been set.

S : Lights when the time search mode has been set. The lamp flashes while a search is in progress.


⑬ ALARM


Lights during an alarm recording.
Flashes upon completion of the alarm recording.


⑭ REC

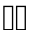
Lights during recording or rec-pause.


⑮ Video operation mode displays


 : Playback

 : Reverse playback

REC  : Recording, recording monitoring

REC  : Rec-pause

 : Still picture (flashes during frame playback), frame feed

 : Fast forward, cue

 : Rewind, review

⑯ REMAIN

Flashes when the tape end is approaching (when the remaining tape alarm mode has been set).

⑰ LOCK

Lights when the lock mode has been set by the LOCK switch or using the REC LOCK item on the setting menu.

⑱ EXT

Lights when the external timer mode has been set.

⑲ INT

Lights when the internal timer mode has been set.

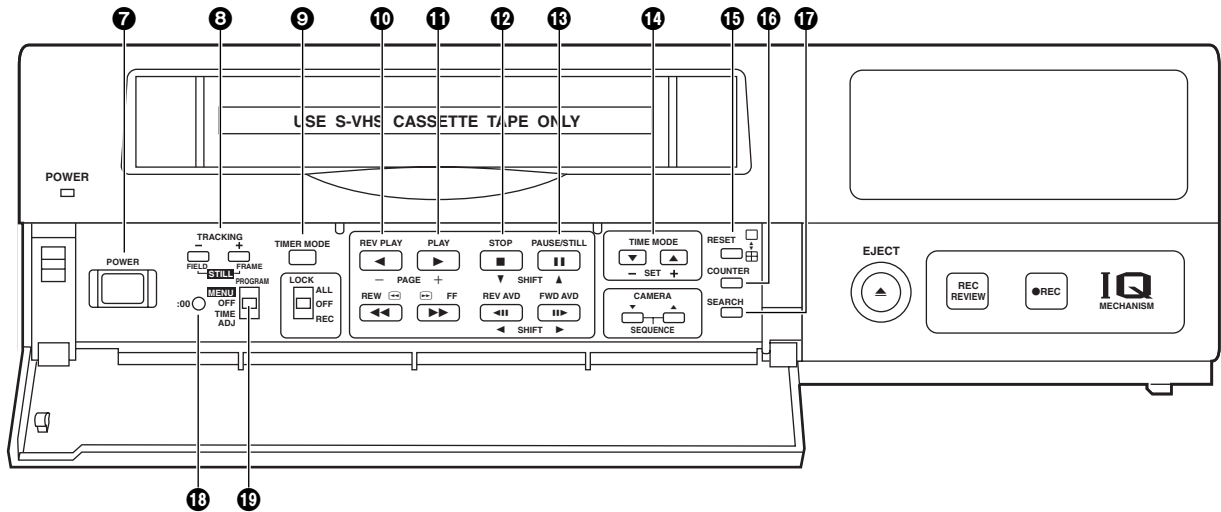
⑳ Counter display

Displays the time or tape counter value; displays the error code when an error has occurred.

In addition, when a discrepancy has arisen between the number of cameras set and the number of cameras actually connected because one of the cables connected to the CAMERA IN connectors has been disconnected or loosened, the camera number concerned will flash on the display to warn the user.

Parts and their functions

Front panel (sub panel)



7 POWER switch

Used to turn the unit's power ON and OFF.
When the power is turned on, the POWER lamp lights, and the buzzer is sounded once.

8 TRACKING buttons

Press during normal playback to adjust the tracking.
When these buttons are pressed during still-picture playback, the unit is set to the field still-picture or frame still-picture mode.

However, the unit will not be set to the frame still-picture mode if a tape recorded in the field mode has been inserted.

9 TIMER MODE button

Used to select the timer mode. Each time it is pressed, the mode is changed, and one of the following mode lamps lights on the display tube.

No display: Normal recording

EXT : External timer recording

INT : Internal timer recording

10 REV PLAY button

Press to play back the tape in the reverse direction.
When the PROGRAM switch is at the MENU position, this button functions as the PAGE (-) button to select the setting menu screen.

When the PROGRAM switch is at the TIME ADJ position, the button switches between the date display and time display.

11 PLAY button

Press to play back the tape in the forward direction.
When the PROGRAM switch is at the MENU position, this button functions as the PAGE (+) button to select the setting menu screen.

When the PROGRAM switch is at the TIME ADJ position, the button switches between the date display and time display.

12 STOP button

Press to stop the operation mode.

When the PROGRAM switch is at the MENU position, this button functions as the SHIFT (▼) button to select the items on the setting menu screen.

When the PROGRAM switch is at the TIME ADJ position, the button moves the screen display position downward.

Parts and their functions

13 PAUSE STILL button

Press to initiate rec-pause or still-picture playback. When the unit remains in the pause or still-picture playback mode for more than a prescribed period of time, it is automatically set to the stop mode in order to protect the tape.

When the PROGRAM switch is at the MENU position, this button functions as the SHIFT (▲) button to select the items on the setting menu screen.

When the PROGRAM switch is at the TIME ADJ position, the button moves the screen display position upward.

14 TIME MODE buttons

Press to select the recording time mode.

- 3H : 3-hour recording mode
- 9H : 9-hour recording mode
- 12H : 12-hour recording mode
- 18H : 18-hour recording mode
- 24H : 24-hour recording mode
- 48H : 48-hour recording mode
- 72H : 72-hour recording mode
- 96H : 96-hour recording mode
- 120H : 120-hour recording mode
- 180H : 180-hour recording mode
- 240H : 240-hour recording mode
- 360H : 360-hour recording mode
- 480H : 480-hour recording mode
- 960H : 960-hour recording mode

When the PROGRAM switch is at the MENU position, these buttons function as the SET (+) and (-) buttons to select the settings for the setting menu items.

15 RESET button

Press while the counter value is shown on the display tube by the COUNTER button to reset the CTL counter.

When the camera number is shown on the display tube by the COUNTER button during playback, this button is used to switch the monitor screen between 1-screen playback and 4-screen playback.

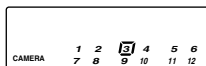
16 COUNTER button

Used to switch the display mode on the display tube.

Each time the COUNTER button is pressed, the mode is switched as follows.

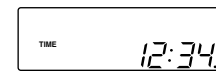
Camera number display:

The current camera number is displayed.

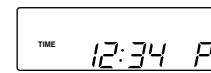


Clock display:

The current time is displayed.



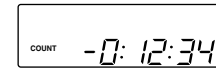
24-hour display



12-hour display

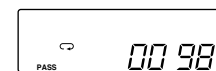
Counter display:

The tape counter is displayed.



Pass display:

This indicates the number of times (passes) repeat recording has been performed when repeat recording has been set.



17 SEARCH button

Press to select the search mode.

Each time this button is pressed in the counter display mode, the search mode is switched, and one of the following mode lamps lights on the display tube:

M : Memory stop mode

AS : Alarm search mode

When the SEARCH button is pressed while the time is displayed on the display tube by the COUNTER button, the time search mode is set, and "S" lights on the display tube.

18 :00 button

Press to set the seconds digits of the time to "00."

The seconds are reset to "00" when this button is pressed while the display shows 0 to 29 seconds, and they are carried up to 1 minute and set to "00" when it is pressed while the display shows 30 to 59 seconds.

19 PROGRAM switch

Used to display the menu and adjust the time.

Keep this switch at OFF for normal operation.

MENU:

The setting menu screen is displayed.

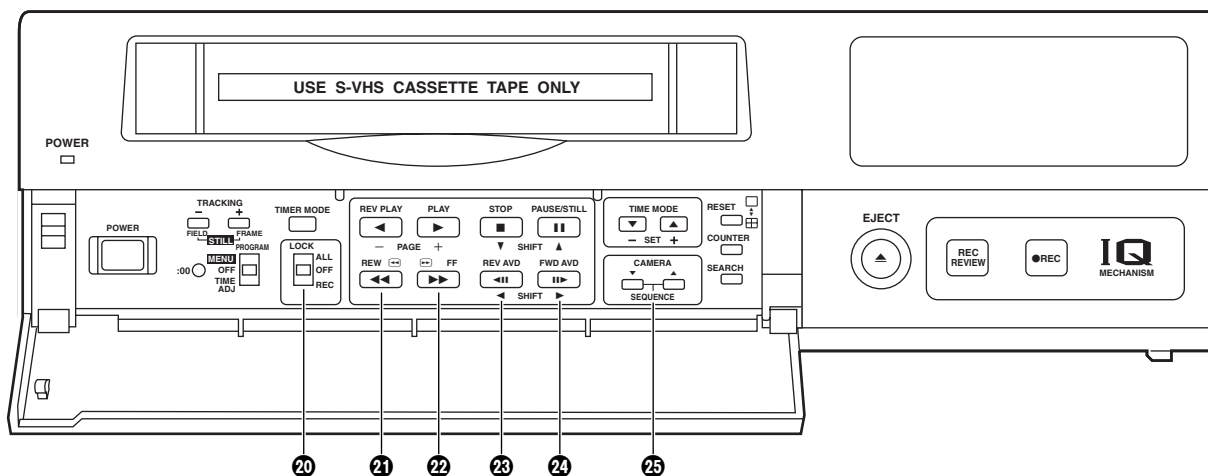
When the switch is set to the MENU position while holding down the STOP button, the alarm screen or power loss screen appears.

TIME ADJ:

Set the switch to this position when adjusting the time or adjusting the screen display position.

Parts and their functions

Front panel (sub panel)



20 LOCK switch

Used to set the lock mode.

ALL : All normal operations are suspended, and LOCK lights on the display tube.

OFF : Normal operations can be conducted.

REC : Normal operations are suspended after recording has commenced, and LOCK lights on the display tube.
(REC REVIEW button operations are acknowledged.)

21 REW/◀ button

Press in the stop mode to rewind the tape.

When this button is pressed during playback or still-picture playback, the tape is reviewed.

22 ▶/FF button

Press in the stop mode to fast forward the tape.

When this button is pressed during playback or still-picture playback, the tape is cued.

23 REV AVD button

Press during still-picture playback to advance the tape frame by frame in the reverse direction. When the PROGRAM switch is at the MENU position, this button serves as the SHIFT (◀) button to select the setting menu screen items. When the PROGRAM switch is at the TIME ADJ position, the button moves the screen display position toward the left.

24 FWD AVD button

Press during still-picture playback to advance the tape frame by frame in the forward direction.

When the PROGRAM switch is at the MENU position, this button serves as the SHIFT (▶) button to select the setting menu screen items. When the PROGRAM switch is at the TIME ADJ position, the button moves the screen display position toward the right.

25 CAMERA buttons

In the playback mode:

Press during playback to select the camera and play back the pictures recorded by the selected camera.

In any other mode:

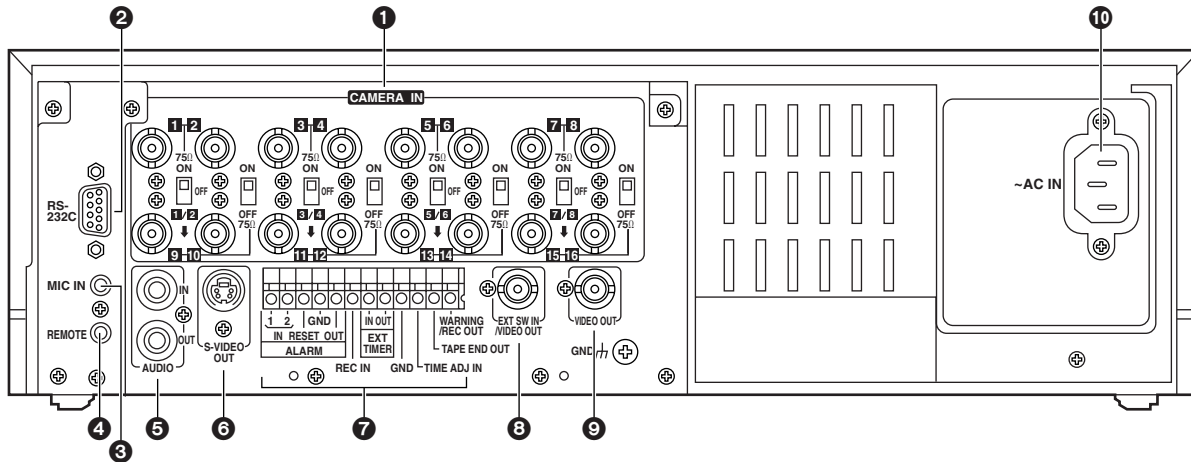
When the buttons are pressed in any other mode, the camera to be monitored can be selected.

When the [▼] button and [▲] button are pressed together, the auto sequence mode is established.

When they are pressed in the auto sequence mode, the unit is switched to the manual sequence mode.

Parts and their functions

Rear panel



1 CAMERA IN connectors 1 to 16 (BNC), 75Ω termination/loop through selector switches 1 to 8, 75Ω termination switches 9 to 16

The camera and other external video input signals (max. 16 inputs) are connected to these connectors.

To use these connectors, select REC TYPE as the RECORDING T-MODE & CAMERA setting on menu screen P3.

<Note>

The 75Ω termination/loop through selector switches 1 to 8 have 3 positions.

Switches 9 to 16 have 2 positions, 75 Ω termination ON and OFF.

2 RS-232C connector

This is used to connect a personal computer or other such device for controlling the unit.

3 MIC IN jack (M3)

This is used to connect the audio input signals from the microphone. (600Ω impedance)

4 REMOTE connector

This is used to connect the model AG-A11 remote controller available as an optional accessory.

5 AUDIO connectors (pin jacks)

These are the audio input and output connectors. When a microphone has been connected to the MIC IN jack, the sound from this jack takes precedence in recording.

6 S-VIDEO OUT connector (4P)

This is used to connect the unit to a device equipped with an S-video input connector.

7 Terminal section

8 EXT SW IN/VIDEO OUT connector (BNC)

The same video signals are output as the signals from the VIDEO OUT connector 9. When EXT SW IN is selected as the EXT SWITCHER MODE setting on menu screen P7, the connector can be made to serve as an input connector of the external switcher.

9 VIDEO OUT connector (BNC)

The video signals from the camera switched by the internal sequential switcher are output from this connector during recording.

During playback, the playback pictures of the recorded tape are output.

The menu screen or time adjustment screen is also displayed.

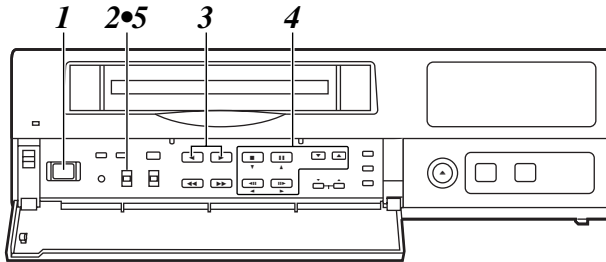
10 AC IN socket

One end of the accessory power cord is connected to this socket, and the other end is connected to a household AC 120V power outlet.

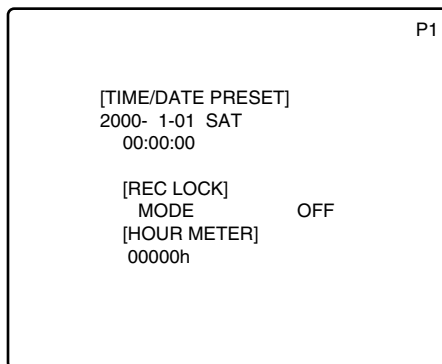
Performing initial settings

Before operating the unit, perform the following initial settings.

■ Setting the date and time



- 1** Set the power switch to ON.
- 2** Set the PROGRAM switch to the MENU position.
The setting menu screen is shown on the TV monitor.
- 3** Press the PAGE (+) or PAGE (-) button to display the P1 TIME/DATE PRESET screen.
The flashing items are ones that can be set.



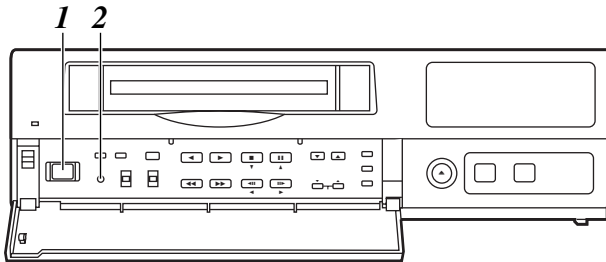
- 4** Proceed as follows to set the date and time.
 - Use the (▼) and (▲) SHIFT buttons to move the flashing part to the item whose setting is to be changed.
 - Use the (◀) and (▶) SHIFT buttons to move the flashing part to the column where the setting is to be changed.
 - Press the (+) or (-) SET button to adjust the figures.
- 5** Upon completion of the settings, set the PROGRAM switch to the OFF position.
The setting menu screen is cleared from the TV monitor, and the normal mode is restored.

Performing initial settings

If the clock is running fast or slow, follow the steps below to adjust it.

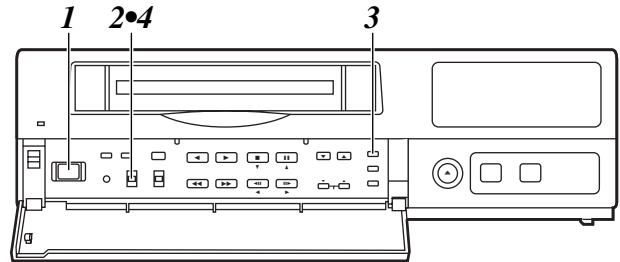
■ Simple time adjustment

When the clock is running up to 30 seconds fast or slow



- 1** Set the power switch to ON.
- 2** The second digits of the time are reset to “00” when the 00: button is pressed in synchronization with the time signal, etc. They are reset to “00” when the button is pressed while the display shows 0 to 29 seconds. They are carried up to 1 minute and set to “00” when it is pressed while the display shows 30 to 59 seconds.

When the clock is running up to 15 minutes fast or slow

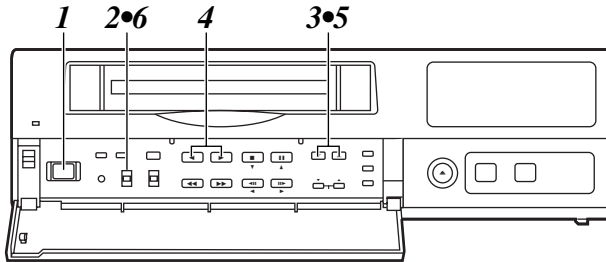


- 1** Set the power switch to ON.
- 2** Set the PROGRAM switch to the “adjust time” position. The counter display shows the current time, and the “minutes” digits flash.
- 3** The minute and second digits of the time are reset to “00:00” when the RESET button is pressed in synchronization with the time signal, etc. They are reset to “00:00” when the button is pressed while the display shows 0 to 14 minutes. They are carried up to 1 hour and set to “00:00” when it is pressed while the display shows 45 to 59 minutes.
- 4** Upon completion of the settings, set the PROGRAM switch to the OFF position.

Performing initial settings

If the date and time are wrong, follow the steps below to adjust them.

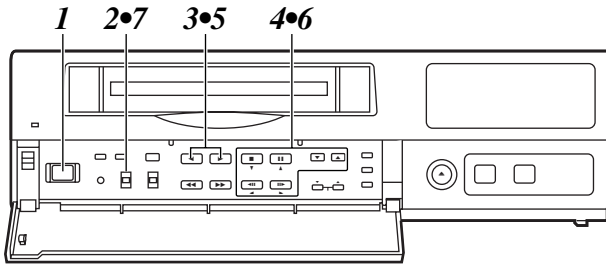
■ Simple date and time adjustment



- 1** Set the power switch to ON.
- 2** Set the PROGRAM switch to the “adjust time” position.
The counter display shows the current time, and the “minutes” digits flash.
- 3** Press the SET (+) or SET (-) button to set the “minutes” digits.
- 4** Press the PAGE (+) or PAGE (-) button.
The current date appears, and the “date” digits flash.
- 5** Press the SET (+) or SET (-) button to set the “date” digits.
- 6** Upon completion of the settings, set the PROGRAM switch to the OFF position.

Performing initial settings

■ Setting the recording time mode and number of cameras



- 1 Set the power switch to ON.
- 2 Set the PROGRAM switch to the MENU position. The setting menu screen is shown on the TV monitor.
- 3 Press the PAGE (+) or PAGE (-) button to display the P3 RECORDING T-MODE & CAMERA screen. The flashing items are ones that can be set.

- 4 Follow the steps below to set the recording time mode and number of cameras.
 - Use the (▼), (▲), (◀) and (▶) SHIFT buttons to move the flashing part to the item whose setting is to be changed.
 - Press the (+) and (-) SET buttons to change the setting.

On the P3 RECORDING T-MODE & CAMERA screen, set the number of cameras to be used and their recording time modes for RT0 through RT7 in the REC TYPE column ahead of time. Different kinds of recordings can be undertaken by setting these two items when normal recording or timer recording is to be performed.

<Notes>

- For RT0, T-MODE (recording time mode) is fixed at OFF.
- For RT7, the setting for the number of cameras to be used is fixed at 1 unit for C1.

Fixed at OFF.

The number of cameras to be used is displayed automatically here.

[RECORDING T-MODE & CAMERA]		(CAMERA SELECT)																P3	
REC TYPE	T-MODE	C. NO	C1	C3	C5	C7	C9	C11	C13	C15	C2	C4	C6	C8	C10	C12	C14	C16	
RT0	OFF*16		Y	Y	Y	Y	Y	Y	Y	Y	Y	Y	Y	Y	Y	Y	Y	Y	
RT1	3H*08		Y	Y	Y	Y	N	N	N	N	N	N	N	N	N	N	N	N	
RT2	12H*04		Y	Y	N	N	N	N	N	N	N	N	N	N	N	N	N	N	
RT3	24H*06		Y	Y	Y	N	N	N	N	N	N	N	N	N	N	N	N	N	
RT4	240H*10		Y	Y	Y	Y	Y	Y	N	N	N	N	N	N	N	N	N	N	
RT5	120H*16		Y	Y	Y	Y	Y	Y	Y	Y	Y	Y	Y	Y	Y	Y	Y	Y	
RT6	480H*12		Y	Y	Y	Y	Y	Y	Y	N	N	N	N	N	N	N	N	N	
RT7	480H*01	C1																	

Y: YES N: NO

Fixed at 01 C1.

The recording time mode is set here.

The cameras to be used are set here. The cameras are set in pairs: C1-C2, C3-C4 and so on up to C15-C16. "Y" (YES) is set for each pair of cameras that is to be used. A black burst signal (black screen) is recorded if no video signals are supplied from a camera even when "Y" (YES) has been set for that camera.

Performing initial settings

■ Setting the recording mode

- 5** Press the PAGE (+) or PAGE (-) button to display the P4 RECORDING MODE screen.
The flashing items are ones that can be set.

[RECORDING MODE]		P4
FIELD/FRAME	FIELD	
PICTURE QUALITY	HIGH	
REC-TYPE	RT0 (OFF*16)	
[ALARM/SENSOR REC]		
MODE	OFF	
FIELD/FRAME	FIELD	
PICTURE QUALITY	HIGH	
DURATION	0.5min	
BUZZER	OFF	
REPEAT	OFF	
GROUP ALARM1	RT0 (OFF*16)	
GROUP ALARM2	RT0 (OFF*16)	

- 6** Set the recording mode by proceeding as follows.
- Use the (▼) and (▲) SHIFT buttons to move the flashing part to the item whose setting is to be changed.
 - Press the (+) and (-) SET buttons to change the setting.

- 7** Upon completion of the settings, set the PROGRAM switch to the OFF position.
The setting menu screen is cleared from the TV monitor, and the normal mode is restored.

P4 RECORDING MODE screen

- Either field recording or frame recording is selected for the FIELD/FRAME item setting.
- Either high-quality recording or standard quality recording is selected for the PICTURE QUALITY item setting.
- The recording time mode which was set on the P3 RECORDING T-MODE & CAMERA screen is selected for the REC-TYPE setting.
When type RT0 is selected, the recording time mode which was set using the TIME MODE button on the front panel is used for recording.
When a type from RT1 to RT7 is selected, the recording time mode which was set by RT1 to RT7 is used for recording.

<Notes>

- When RT7 is selected for the REC-TYPE item setting, frame recording will be forcibly performed regardless of the FIELD/FRAME item setting.
- Recording is possible at 60 fields a second (which is the same rate as for video machines used in the home) if NORMAL is selected as the PICTURE QUALITY item setting and the recording time mode is set to 3H when RT7 has been selected as the REC-TYPE item setting.
- If the recording time mode is set to 3H when a setting other than RT7 has been selected for the REC-TYPE item, recording will be performed automatically in the high picture quality mode regardless of the PICTURE QUALITY item setting.

Performing initial settings

The table below shows the correlation between the recording time modes and number of cameras.
 (When an S-VHS 120-minute tape is used)
 Set the modes according to what is to be accomplished.

High picture quality mode (field recording)

Recording time mode	No. of fields to be recorded per sec.	Time taken to switch cameras (sec.)	Time taken for recording turn to circulate and return to the first camera for the no. of cameras connected							
			2 cameras	4 cameras	6 cameras	8 cameras	10 cameras	12 cameras	14 cameras	16 cameras
3H	30.00	0.033	0.07	0.13	0.20	0.27	0.33	0.40	0.47	0.53
9H	10.00	0.100	0.20	0.40	0.60	0.80	1.00	1.20	1.40	1.60
12H	6.00	0.167	0.33	0.67	1.00	1.33	1.67	2.00	2.33	2.67
18H	4.29	0.233	0.47	0.93	1.40	1.87	2.33	2.80	3.27	3.73
24H	3.33	0.300	0.60	1.20	1.80	2.40	3.00	3.60	4.20	4.80
48H	1.76	0.567	1.13	2.27	3.40	4.53	5.67	6.80	7.93	9.07
72H	1.20	0.833	1.67	3.33	5.00	6.67	8.33	10.00	11.67	13.33
96H	0.91	1.100	2.20	4.40	6.60	8.80	11.00	13.20	15.40	17.60
120H	0.73	1.367	2.73	5.47	8.20	10.93	13.67	16.40	19.13	21.87
180H	0.49	2.033	4.07	8.13	12.20	16.27	20.33	24.40	28.47	32.53
240H	0.37	2.700	5.40	10.80	16.20	21.60	27.00	32.40	37.80	43.20
360H	0.25	4.033	8.07	16.13	24.20	32.27	40.33	48.40	56.47	64.53
480H	0.19	5.367	10.73	21.47	32.20	42.93	53.67	64.40	75.13	85.87
960H	0.09	10.700	21.40	42.80	64.20	85.60	107.00	128.40	149.80	171.20

Standard picture quality mode (field recording)

Recording time mode	No. of fields to be recorded per sec.	Time taken to switch cameras (sec.)	Time taken for recording turn to circulate and return to the first camera for the no. of cameras connected							
			2 cameras	4 cameras	6 cameras	8 cameras	10 cameras	12 cameras	14 cameras	16 cameras
3H	30.00	0.033	0.07	0.13	0.20	0.27	0.33	0.40	0.47	0.53
9H	20.00	0.050	0.10	0.20	0.30	0.40	0.50	0.60	0.70	0.80
12H	12.00	0.083	0.17	0.33	0.50	0.67	0.83	1.00	1.17	1.33
18H	8.57	0.117	0.23	0.47	0.70	0.93	1.17	1.40	1.63	1.87
24H	6.67	0.150	0.30	0.60	0.90	1.20	1.50	1.80	2.10	2.40
48H	3.53	0.283	0.57	1.13	1.70	2.27	2.83	3.40	3.97	4.53
72H	2.40	0.417	0.83	1.67	2.50	3.33	4.17	5.00	5.83	6.67
96H	1.82	0.550	1.10	2.20	3.30	4.40	5.50	6.60	7.70	8.80
120H	1.46	0.683	1.37	2.73	4.10	5.47	6.83	8.20	9.57	10.93
180H	0.98	1.017	2.03	4.07	6.10	8.13	10.17	12.20	14.23	16.27
240H	0.74	1.350	2.70	5.40	8.10	10.80	13.50	16.20	18.90	21.60
360H	0.50	2.017	4.03	8.07	12.10	16.13	20.17	24.20	28.23	32.27
480H	0.37	2.683	5.37	10.73	16.10	21.47	26.83	32.20	37.57	42.93
960H	0.19	5.350	10.70	21.40	32.10	42.80	53.50	64.20	74.90	85.60

<Notes>

- The actual recording time will be slightly longer than the figure indicated by the recording time mode.
- In the frame recording mode, it takes twice as long for the cameras to be switched.
- When the recording time mode is set to 3H, recording will be performed automatically in the high picture quality mode even if the standard picture quality mode has been set.

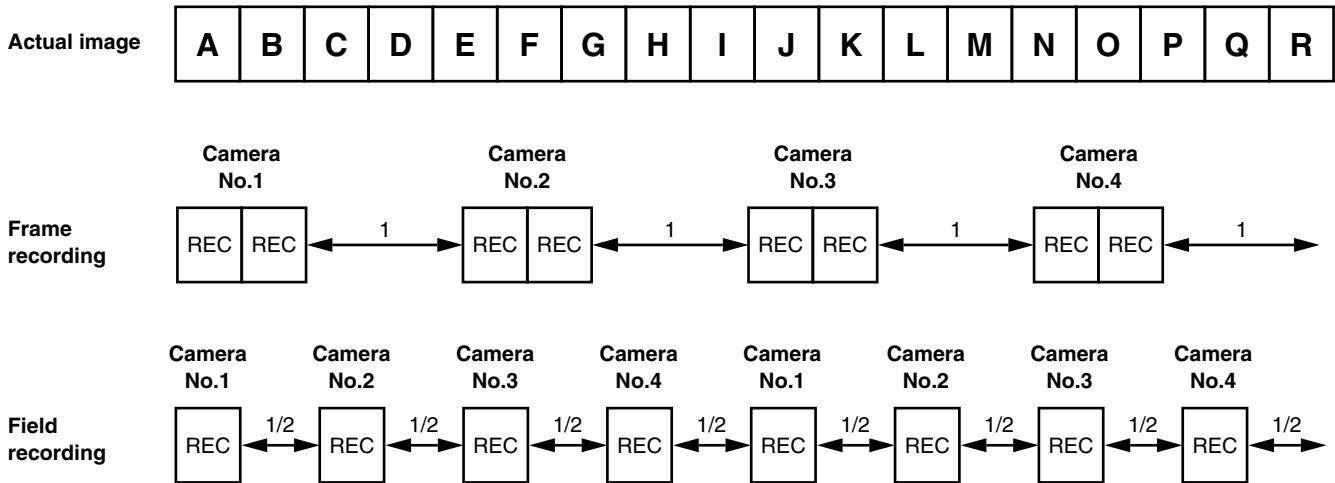
Frame recording and field recording

With frame recording, the image of one camera is recorded in two fields, and after leaving a fixed interval, the image of the next camera is recorded.

With field recording, the image of one camera is recorded in one field, and after leaving half of the interval for frame recording, the image of the next camera is recorded.

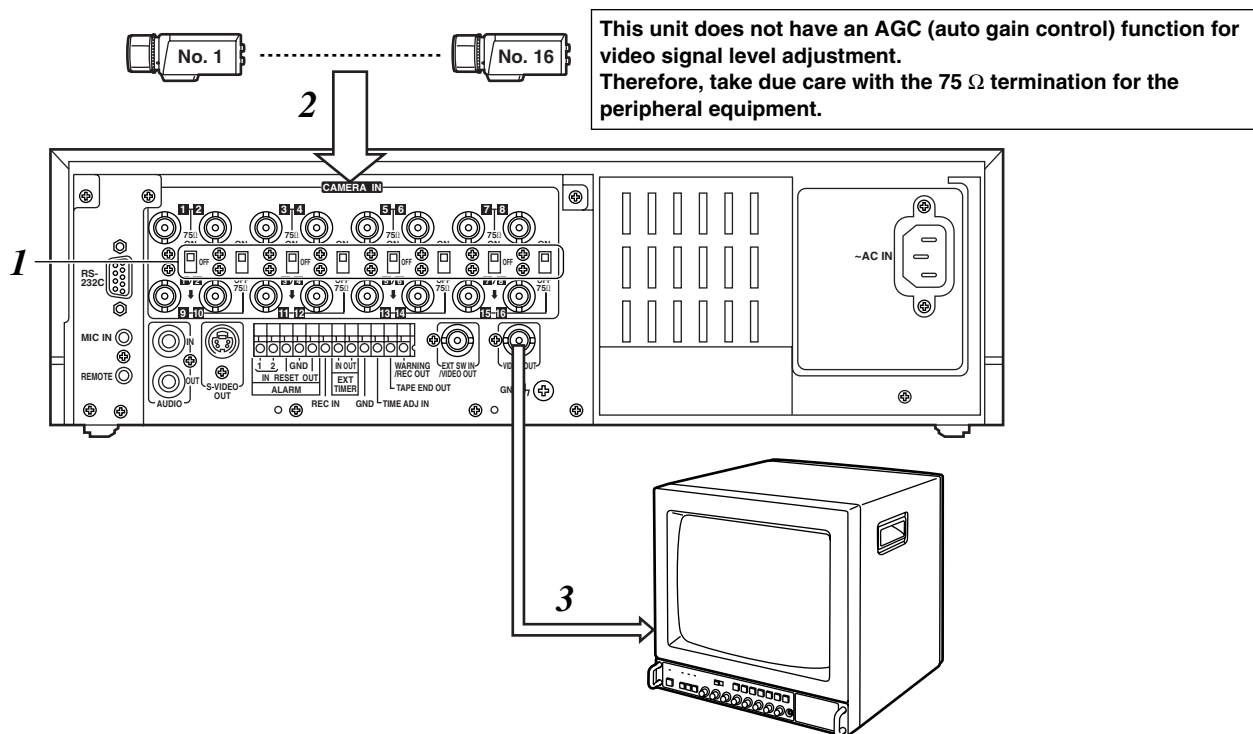
The gaps between the recorded images are shorter which enables the cameras to be switched in half the time taken by frame recording.

Example where cameras 1 to 4 are connected



Connections

Example of connections to switch between 16 cameras for recording



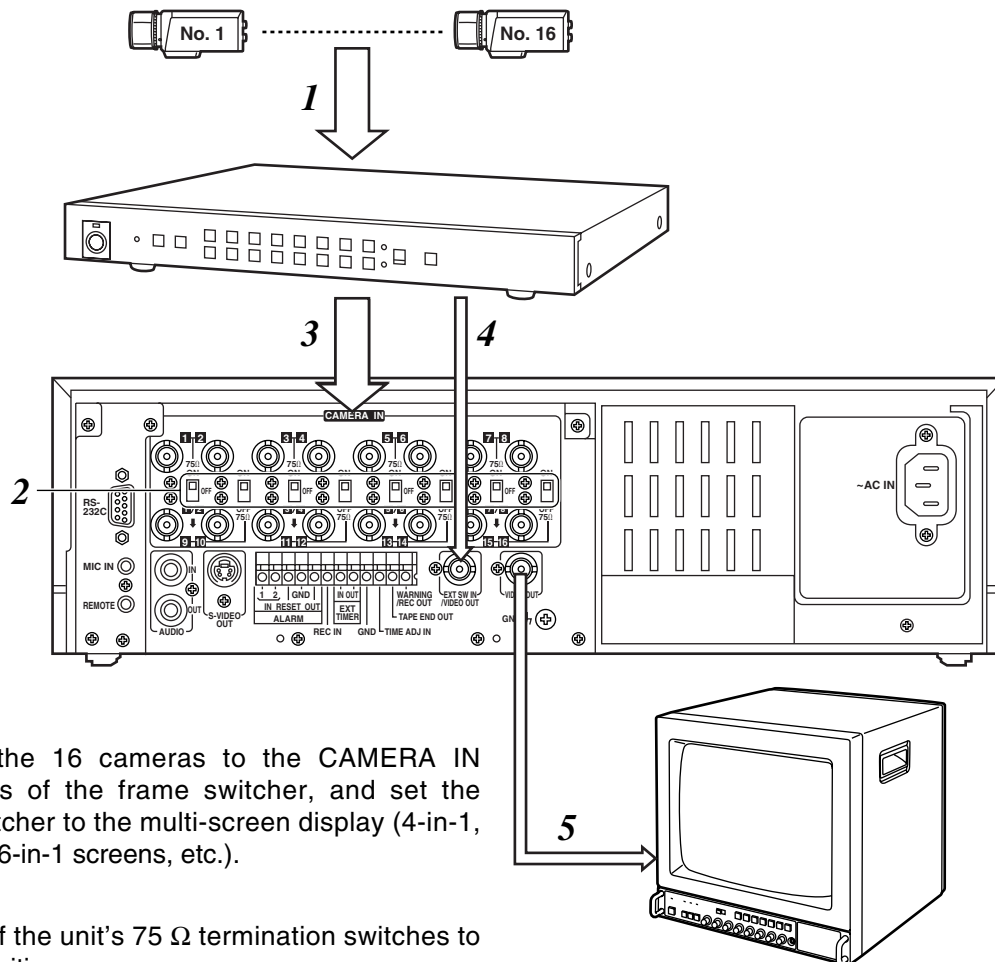
- 1** Set all 8 of the 75 Ω termination switches to the ON position.
- 2** Connect the 16 cameras to CAMERA IN connectors **1** to **16**.
- 3** Connect the TV monitor to the VIDEO OUT connector.

<Notes>

- When connecting line-locked cameras, select ON for the LL CAMERA item setting on the setting menu shown on the P7 VIDEO OUT SEQUENCE screen.
The images on the monitor will shake fractionally: this is normal and not indicative of malfunctioning.
- This unit does not contain a compensation circuit. Install a compensator when the total length of the cables (coaxial 3C-2V) used to connect the cameras exceeds 200 meters.
There is no need to install a compensator if the total length is under 400 meters if coaxial cables (5C-2V) with minimal transmission loss are used.

Connections

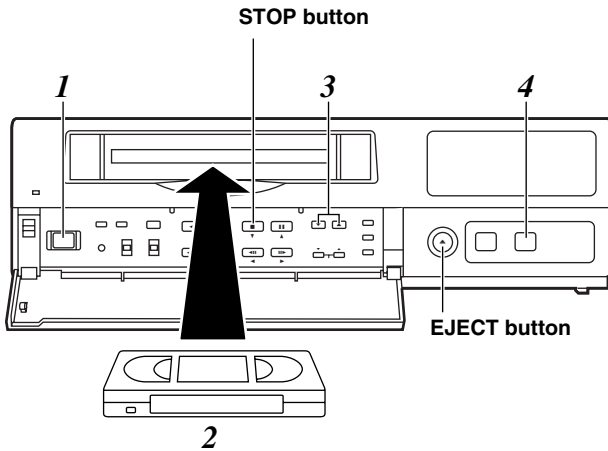
When using a frame switcher during recording to output more than one screen image on the TV monitor



- 1** Connect the 16 cameras to the CAMERA IN connectors of the frame switcher, and set the frame switcher to the multi-screen display (4-in-1, 9-in-1 or 16-in-1 screens, etc.).
- 2** Set all 8 of the unit's 75 Ω termination switches to the ON position.
- 3** Connect the 16 camera outputs of the frame switcher to CAMERA IN connectors **1** through **16** on the unit.
- 4** Connect the video output of the frame switcher to the EXT SW IN/VIDEO OUT connector on the unit.
- 5** Connect the TV monitor to the VIDEO OUT connector on the unit.
- 6** Select EXT SW IN as the MODE item setting on the setting menu shown on the P7 EXT SWITCHER screen.
The multiple images set by the frame switcher can be viewed on the TV monitor in all modes except for the playback mode.

Recording

Proceed with recording after having performed the connections and followed the steps for “Setting the date and time” (page 11) and “Setting the recording time mode and number of cameras” (page 14).



1 Set the power switch to ON.
When the power is turned on, the POWER lamp lights, and the buzzer is sounded once.

2 Insert the cassette tape.
Press the EJECT button to eject the cassette tape. It will not work unless it is pressed firmly.

<Note>

Always use S-VHS cassette tapes. If a VHS tape is inserted instead, it will be automatically ejected when the REC button is pressed.

A cassette tape will also be ejected when the REC button is pressed if its accidental erasure prevention tab has been broken out.

This unit is designed to provide the high level of reliability required of a time lapse recorder for use in such applications as surveillance, security and monitoring.
In order to ensure that this unit will perform reliably in recording operations, it is recommended that the following Panasonic video tape be used:
S-VHS tape: ST-120 series (120-minute tape)

3 Press the TIME MODE buttons to set the recording time mode.

4 Press the REC button.
Recording is started in the set time mode using the set cameras which are switched in turn automatically.
To stop the recording, press the STOP button.

When 8 cameras are to be used, select “N” (NO) for C9—C16 in the RT0 camera setting columns (CAMERA SELECT) on the setting menu shown on the P3 RECORDING T-MODE & CAMERA screen.

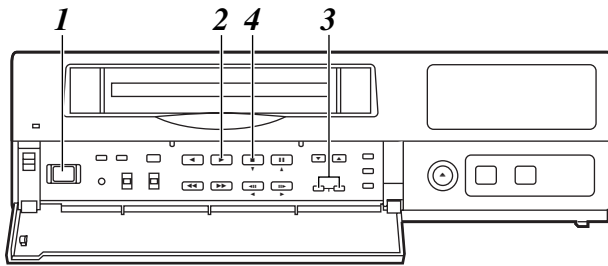
[RECORDING T-MODE & CAMERA]		P3																
REC T-	C.	(CAMERA SELECT)																
TYPE	MODE	NO	C1	C3	C5	C7	C9	C11	C13	C15	C2	C4	C6	C8	C10	C12	C14	C16
RT0	OFF*	8	Y	Y	Y	Y	N	N	N	N								
RT1	OFF*	16	Y	Y	Y	Y	Y	Y	Y	Y								
RT2	OFF*	16	Y	Y	Y	Y	Y	Y	Y	Y								
RT3	OFF*	16	Y	Y	Y	Y	Y	Y	Y	Y								
RT4	OFF*	16	Y	Y	Y	Y	Y	Y	Y	Y								
RT5	OFF*	16	Y	Y	Y	Y	Y	Y	Y	Y								
RT6	OFF*	16	Y	Y	Y	Y	Y	Y	Y	Y								
RT7	OFF*	01	C1															

Y: YES N: NO

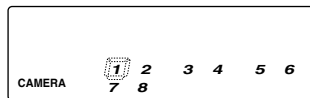
When recording always in the same recording time mode instead of setting the mode using the TIME MODE button, set RT1 through RT7 for the REC TYPE item on the setting menu shown on the P3 RECORDING T-MODE & CAMERA screen, and set the REC TYPE (RT1 through RT7) to be used for recording for the REC-TYPE item on the P4 RECORDING MODE screen.
Select RT7 when using one camera for the recording. This enables the images of the camera connected to the camera input **1** connector to be recorded.

Playback

Normal playback



- 1 Set the power switch to ON, and insert the cassette tape.
- 2 Press the PLAY button to start playback.
When 8 cameras are being used, the 8 camera numbers appear on the camera number display of the display tube, and the number of the camera whose pictures are being played back is enclosed in a square.

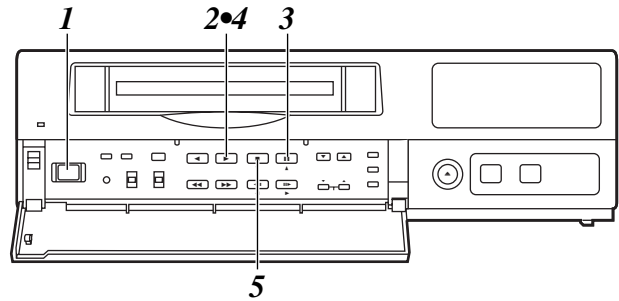


- 3 Press the CAMERA buttons to set the playback camera.
- 4 To stop the playback, press the STOP button.

<Note>

When video noise in blocks interferes with playback, press the (+) or (-) tracking button until the noise is eliminated.

Still-picture playback



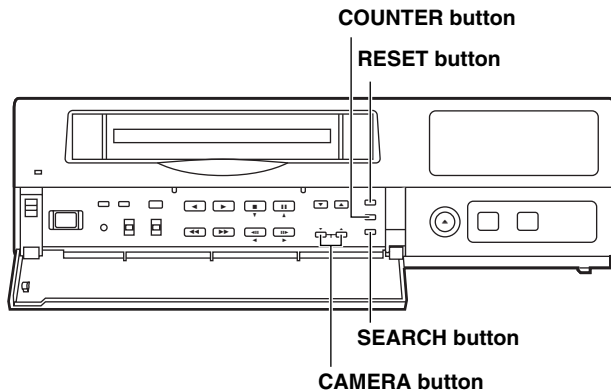
- 1 Set the power switch to ON, and insert the cassette tape.
- 2 Press the PLAY button to start playback.
- 3 Press the PAUSE STILL button.
The unit is now set to the still-picture playback mode.
(When the frame advance button is pressed in the still-picture playback mode, the tape is played back one frame at a time.)
- 4 Press the PLAY button again to return to normal playback.
- 5 To stop the playback, press the STOP button.

<Note>

If a switch is made to cameras No.13 to 16 when a tape which was frame-recorded using cameras No.13 to 16 is being played back in the still-picture playback mode, blue background signals will be output.

Changing over the screen display

Changing over the screen during playback



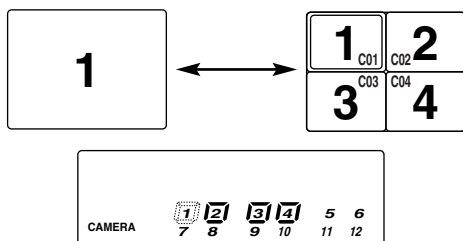
Changing between the 1-screen and 4-in-1 screen display

1 During playback, one screen is displayed on the TV monitor.



2 Press the COUNTER button to establish the camera number display mode.

3 Press the RESET button to change over to the 4-in-1 screen display. Each time the RESET button is now pressed, the display is switched between the 1-screen and 4-in-1 screen.



Four camera numbers are enclosed in squares on the camera number display of the display tube, and the square corresponding to the number of the selected camera flashes. In addition, the numbers of the cameras (C01/C02/C03/C04) appear in the center of the TV monitor.

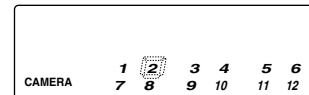
<Note>

It is not possible to switch to the 4-in-1 screen display when a tape which was frame-recorded using cameras No.13 to 16 is to be played back.

Switching between the cameras

In the 1-screen display mode

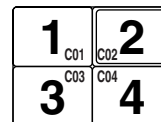
The pictures recorded by a specific camera can be monitored by pressing the CAMERA button during playback.



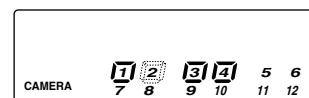
In the 4-in-1 screen display mode

When monitoring the pictures recorded by specific cameras on the four screens in the 4-in-1 screen display mode

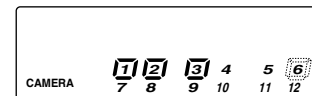
1 Press the SEARCH button to move to the screen with the white border.



2 Press the CAMERA button to set the camera.



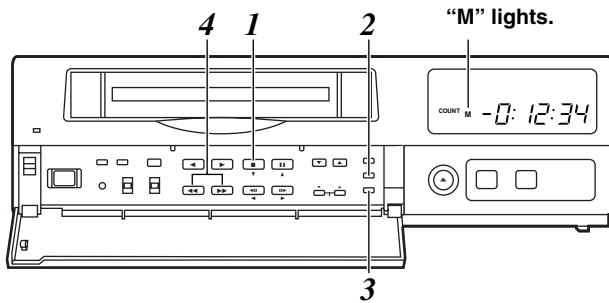
3 Repeat steps 1 and 2 for the other screens to set the camera for each.



Useful functions

Memory stop

This function serves to rewind or fast forward the tape to the "00:00:00" counter position and then automatically set the unit to the stop mode when a regular operation is being performed.



- 1** Press the STOP button to set the unit to the stop mode.
- 2** Press the COUNTER button to establish the counter display mode.
- 3** Press the SEARCH button.
Check that "M" lights on the display tube and that the memory stop mode is established.
Press the SEARCH button again if "AS" has lighted.
- 4** Press the REW button if the counter reading is higher than "00:00:00"; conversely, press the FF button if it is lower (a negative value) than "00:00:00."
- 5** The counter reading approaches "00:00:00," and the tape is automatically set to the stop mode.

Useful functions

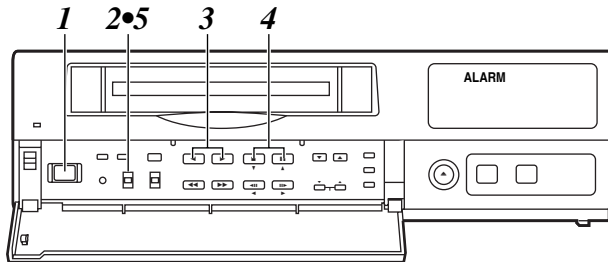
Alarm recording and sensor (emergency) recording

Alarm recording

This function enables recording with changes made to the time mode and/or cameras used for recording when an alarm signal (see page 35 for details on the alarm recording connections) is input during recording.

Sensor (emergency) recording

This function enables recording with changes made to the time mode and/or cameras used for recording as soon as an alarm signal is input even when the unit's power is off.



- 1 Set the POWER switch to ON, and insert the cassette tape.
- 2 Set the PROGRAM switch to the MENU position. The setting menu screen now appears on the TV monitor.
- 3 Press the PAGE (+) or PAGE (-) button to display the P4 ALARM/SENSOR REC screen. The flashing items are ones that can be set.

[RECORDING MODE]		P4
FIELD/FRAME	FIELD	
PICTURE QUALITY	HIGH	
REC-TYPE	RT0 (OFF*16)	
[ALARM/SENSOR REC]		
MODE	OFF	
FIELD/FRAME	FIELD	
PICTURE QUALITY	HIGH	
DURATION	0.5min	
BUZZER	OFF	
REPEAT	OFF	
GROUP ALARM1	RT0 (OFF*16)	
GROUP ALARM2	RT0 (OFF*16)	

4 Take the following steps to set the recording mode to be established when an alarm signal is input:

- Use the (▼) and (▲) SHIFT buttons to move the flashing part to the item whose setting is to be changed.
- Press the (+) and (-) SET buttons, and change the setting.

<Notes>

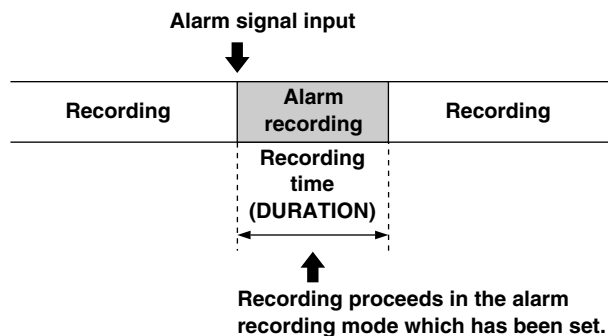
- Alarm recording and sensor recording are selected using the MODE item. Select OFF as the MODE item setting if recording is not to be performed when an alarm signal is input.
- The recording time (DURATION) is set as follows between 30 seconds and 10 minutes: CONTINUE (up to the tape-end) or MANUAL (while the alarm signal is input).

5 When the settings are completed, set the PROGRAM switch to the OFF position. The setting menu screen is cleared from the TV monitor, and the normal mode is restored.

Useful functions

When ALARM is selected as the MODE item setting

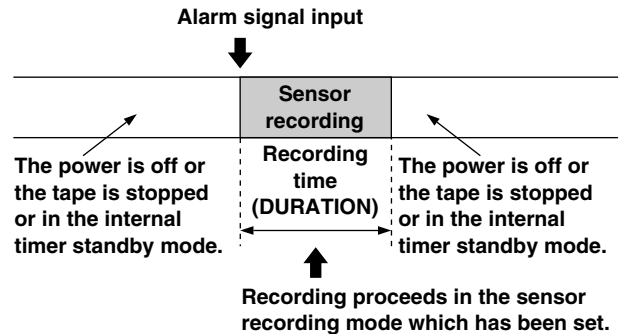
Press the REC button to start recording.
 The alarm recording mode is established when an alarm signal is input.
 Once alarm recording is initiated, "ALARM" flashes on the display tube.
 When the STOP button is pressed, the display is cleared, and recording stops.
 ● When OFF or SENSOR is selected as the MODE setting on the menu screen shown on P4 ALARM/SENSOR REC, the alarm recording function does not work.



<Note>
 When alarm recording is completed, the operation prior to the alarm signal input is restored.

When SENSOR is selected as the MODE item setting

Sensor recording starts as soon as an alarm signal is input even when the unit's power is off or the tape has stopped.
 ● When OFF or ALARM is selected as the MODE setting on the menu screen shown on P4 ALARM/SENSOR REC, the sensor recording function does not work.



<Note>
 When sensor recording is completed, the operation prior to the alarm signal input is restored.

When ALARM/SENSOR is selected as the MODE item setting

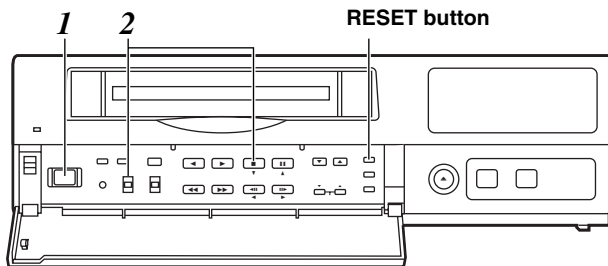
Both alarm recording and sensor recording are performed.
 If an alarm signal is input during recording, the alarm recording mode is established, and when it is input while the unit's power is off or the tape has stopped, sensor recording is started.

Useful functions

Alarm memory recall and power loss memory recall

Alarm memory recall is a function for storing in the memory those dates/times and number of occasions on which the alarm recording and sensor recording functions were activated.

Power loss memory recall is a function for storing in the memory those dates/times and number of occasions on which the primary power supply was shut off due to a power outage, etc.



1 Set the POWER switch to ON.

2 Set the PROGRAM switch to the MENU position while holding down the STOP button. The ALARM RECALL screen and POWER LOSS MEMORY screen now appear.

The alarm number/s and dates/times when the alarm signal was input are displayed on the ALARM RECALL screen.

The number of times the primary power source has been shut off and the dates/times when this happened are displayed on the POWER LOSS MEMORY screen.

(Data is displayed in sequence with the latest at the top of the screen.)

[ALARM RECALL]		
29	12-30-2000	3:15
28	12-04-2000	12:10
27	10-25-2000	2:20
26	9-10-2000	2:30
25	8-11-2000	6:55
24	5-10-2000	3:22
23	4-11-2000	6:55
22	3-10-2000	3:22
[POWER LOSS MEMORY]		
14	12-01-2000	12:00
13	10-05-2000	10:30
12	08-10-2000	9:20
11	3-02-2000	7:00

The following display appears when alarm recording was never performed or when the primary power supply was never shut off.

[ALARM RECALL]		
**	**--**--****	**:**
**	**--**--****	**:**
**	**--**--****	**:**
**	**--**--****	**:**
**	**--**--****	**:**
**	**--**--****	**:**
**	**--**--****	**:**
**	**--**--****	**:**
[POWER LOSS MEMORY]		
**	**--**--****	**:**
**	**--**--****	**:**
**	**--**--****	**:**
**	**--**--****	**:**

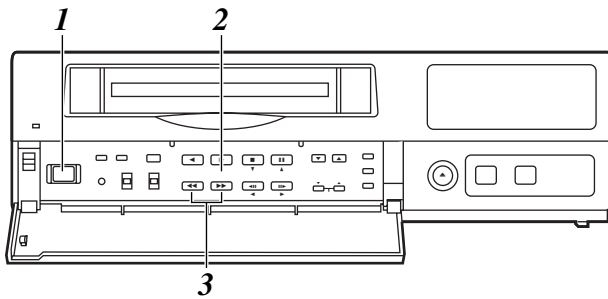
<Notes>

- Data for up to 8 alarms is stored on the ALARM RECALL screen whereas data for up to 4 power losses is stored on the POWER LOSS MEMORY screen.
- A total of 99 alarms and 99 power losses are stored in the memory. When 99 is exceeded, the count returns to "00."
- As with alarm recordings, the sensor recordings are stored as alarm memory data.
- The alarm memory data and power loss memory data are stored in the memory circuit inside the unit. They are not recorded on the tape.
- When the PROGRAM switch is set to any position except MENU, the ALARM RECALL screen and POWER LOSS MEMORY screen displays are cleared.
- When the RESET button is pressed while the ALARM RECALL screen is displayed, the memory can be cleared, but the POWER LOSS MEMORY screen is not cleared.

[ALARM RECALL]		
**	**--**--****	**:**
**	**--**--****	**:**
**	**--**--****	**:**
**	**--**--****	**:**
**	**--**--****	**:**
**	**--**--****	**:**
**	**--**--****	**:**
**	**--**--****	**:**
[POWER LOSS MEMORY]		
14	12-01-2000	12:00
13	10-05-2000	10:30
12	08-10-2000	9:20
11	3-02-2000	7:00

Useful functions

Search playback (cue/review)

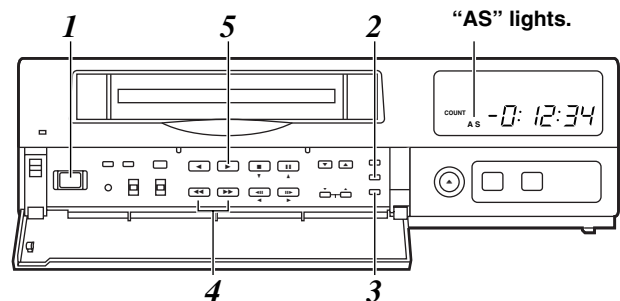


- 1** Set the POWER switch to ON, and insert the cassette tape.
- 2** Press the PLAY button to start playback.
- 3** Press the FF button or REW button.
The unit performs search playback (cue or review) while the FF button or REW button is held down. Normal playback is restored when the FF button or REW button is released.

<Notes>

- When search playback is performed with a tape which was frame-recorded using cameras No.13 to 16, the recorded images of all the cameras are mixed and output even if a particular camera is selected.
- The picture will become quite blurred when search playback is performed for a tape which was field-recorded in the standard picture quality mode. This is normal and not indicative of malfunctioning.

Alarm search (alarm recording section search)



- 1** Set the POWER switch to ON, and insert the cassette tape containing the alarm recording.
- 2** Press the COUNTER button to establish the counter display mode.
- 3** Press the SEARCH button.
Check that "AS" lights on the display tube and that the alarm search mode is established. Press the SEARCH button again if "M" has lighted.
- 4** While the unit is in the stop, fast forward or rewind mode, press the REW or FF button.
The first alarm recording section is searched in the direction corresponding to the button pressed, and the unit is set to the still-picture playback mode.
- 5** To play back the section, press the PLAY button.

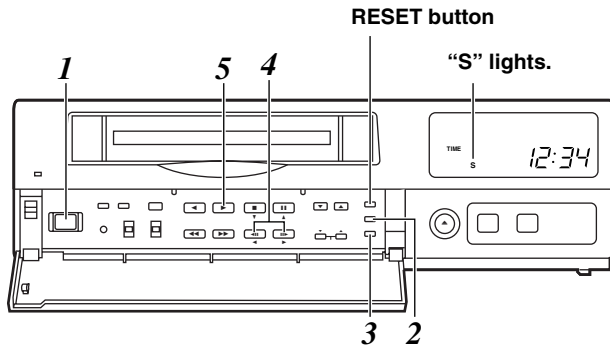
<Notes>

- To release the alarm search mode, press the SEARCH button again to clear "AS" from the display tube.
- The alarm search function can be used to search for only those alarm recording sections which were recorded for more than 30 seconds in the 3-hour, 9-hour, 12-hour, 18-hour or 24-hour recording time mode.
- When the FF button or REW button is pressed during playback, search playback (cue or review) is initiated, and even when the button is released, search playback will continue if the unit is in the alarm search mode.

Useful functions

Time/date search

This function is used to search for a particular recording section by designating its date and time.



1 Set the POWER switch to ON, and insert the cassette tape.

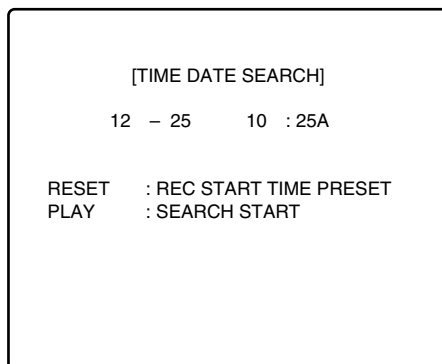
2 Press the COUNTER button to establish the time display mode.

3 Press the SEARCH button.
“S” lights on the display tube, and the TIME DATE SEARCH screen appears on the TV monitor.

The time at which the recording was ended is shown on the TIME DATE SEARCH screen.

When the tape is played back, the date and time recorded on the tape are displayed.

When the RESET button is now pressed, the display changes to the time at which the recording was started.



4 Follow the steps below to set the search date and time.

- Use the (◀) and (▶) SHIFT buttons to move the flashing part to the item whose setting is to be changed.
- Press the (+) and (-) SET buttons to set the figure.

5 Press the PLAY button or REV PLAY button.
The recording section with the designated date and time is now searched.

<Notes>

- The tape comes to a stop at its end or start if no recording section with the date and time was found as a result of the search.
- When the tape is stopped during recording, it will stop at the border between the new recording and old recording, and the continuity in the date and time recorded on the tape will be lost.
In this state, searches may not be performed properly.

When the date or time to be searched is in the newly recorded section, it is recommended that the REV PLAY button be pressed. By pressing this button, the tape is returned a little in the reverse direction, the date and time data is loaded, and the search is performed using this data as a reference.

6 To release the time/date search mode, press any of the function buttons.

Useful functions

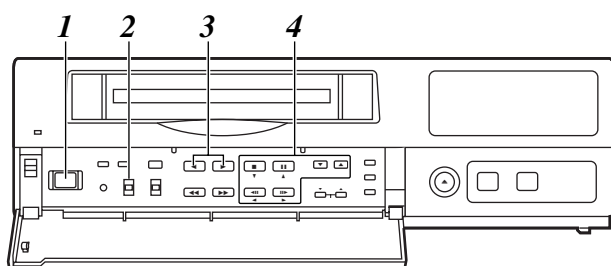
Internal timer recording

Recording can be started and ended at the desired times which are set using the internal timer.

<Note>

Before setting the internal timer recording, complete the connections as well as the steps for "Setting the date and time" (page 11) and "Setting the recording time mode and number of cameras" (page 14).

Registering programs for internal timer recording



- 1 Set the POWER switch to ON, and insert the cassette tape.
- 2 Set the PROGRAM switch to the MENU position. The setting menu screen now appears on the TV monitor.
- 3 Press the PAGE (+) or PAGE (-) button to display the P8 PROGRAM TIMER screen. The flashing items are ones that can be set.

[PROGRAM TIMER]				P8
(TIMER)	START	END	REC-TYPE	
PGM1	0:00	0:00	RT0 (OFF*16)	
PGM2	0:00	0:00	RT0 (OFF*16)	
PGM3	0:00	0:00	RT0 (OFF*16)	
PGM4	0:00	0:00	RT0 (OFF*16)	
PGM5	0:00	0:00	RT0 (OFF*16)	
PGM6	0:00	0:00	RT0 (OFF*16)	
PGM7	0:00	0:00	RT0 (OFF*16)	
PGM8	0:00	0:00	RT0 (OFF*16)	

[INTERNAL WEEKLY TIMER]						
(SUN)	MON	TUE	WED	THU	FRI	SAT DLY)
***	***	***	***	***	***	***
***	***	***	***	***	***	***

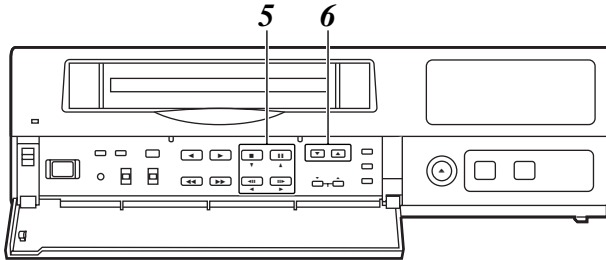
(TIMER)
Register the programs (PGM1-PGM8) in this column when using the internal timer to record them.
START
The recording start times are set in this column.
END
The recording end times are set in this column.
REC-TYPE
The recording type (RT0 to RT7) are set in this column.

- 4 Take the following steps to set the timer recording mode.
 - Use the (▼), (▲), (◀) and (▶) SHIFT buttons to move the flashing part to the item whose setting is to be changed.
 - Press the (+) and (-) SET buttons, and change the setting.

Useful functions

Weekly timer

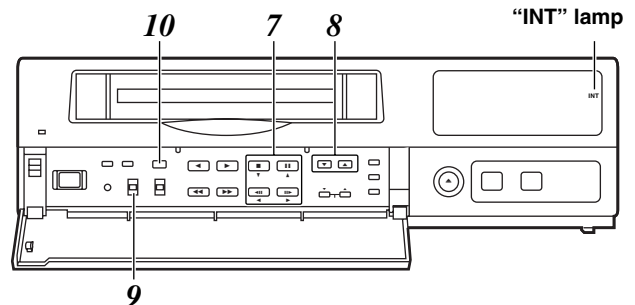
This function is used to record for the programmed duration every week at the same time on the same day.



- 5** Use the (▼), (▲), (◀) and (▶) SHIFT buttons to move the flashing part to the day-of-the-week (SUN through SAT) item on the INTERNAL WEEKLY TIMER screen.
- 6** Press the (+) and (-) SET buttons, and set the programs (PGM1-PGM8) registered on the PROGRAM TIMER screen for the days of the week concerned.
 - Two programs each—one on the top line and the other on the bottom—can be set for each day of the week.
Leave “***” unchanged where no programs are to be set.
 - When programmed time zone overlap on the same day, the program on the top line takes precedence.

Daily timer

This function is used to record for the programmed duration at the same time every day.



- 7** Use the (▼), (▲), (◀) and (▶) SHIFT buttons to move the flashing part to the DLY item.
- 8** As with the weekly timer function, press the (+) and (-) SET buttons, and set the programs (PGM1-PGM8) registered on the PROGRAM TIMER screen.
- 9** Upon completion of the settings, set the PROGRAM switch to the OFF position.
The setting menu screen is cleared from the TV monitor, and the normal mode is restored.
- 10** Press the TIMER MODE button on the front panel and set it to the internal timer recording mode (the “INT” lamp lights on the display tube).
<Notes>
 - If the cassette tape has not been inserted or its accidental erasure prevention tab has been broken out, the buzzer will sound, and the INT lamp will flash.
 - To release the internal timer recording mode, press the TIMER MODE button and turn off the INT lamp on the display tube.

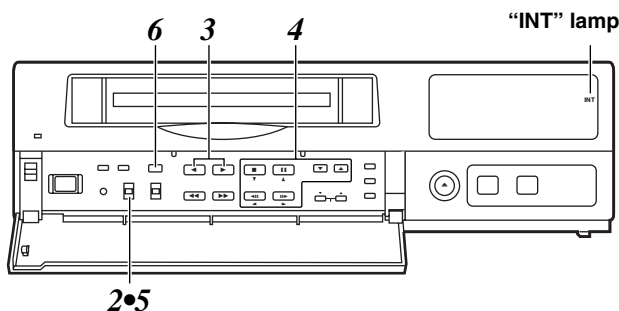
<Note>

If the time zone programmed using the daily timer overlaps the time zone programmed using the weekly timer, the weekly timer will take precedence.

Useful functions

Free-set timer

Recording is initiated for the programmed duration on the date which has been set.



1 Finish setting the weekly timer and daily timer.

2 Set the PROGRAM switch to the MENU position. The setting menu screen now appears on the TV monitor.

3 Press the PAGE (+) or PAGE (-) button to display the P9 FREE SET TIMER screen. The flashing items are ones that can be set.

[FREE SET TIMER]				P9
	MONTH	DAY	SET	
1)	**	-	**	*****
2)	**	-	**	*****
3)	**	-	**	*****
4)	**	-	**	*****
5)	**	-	**	*****
6)	**	-	**	*****
7)	**	-	**	*****
8)	**	-	**	*****
9)	**	-	**	*****
10)	**	-	**	*****
11)	**	-	**	*****
12)	**	-	**	*****

MONTH

Set the month (1-12, **) of the date concerned in this column.

Set "*" if the month is not going to be registered.

"**-**-*****" appears for MONTH, DAY and SET.

DAY

Set the day (1-31) of the date concerned in this column.

SET

Select the program which was set for the weekly timer.

SUN-SAT, P_OFF (POWER OFF mode throughout the day)

<Note>

Twelve days' worth of dates can be set for the free-set timer.

4 Take the following steps to set the timer recording mode.

- Use the (▼), (▲), (◀) and (▶) SHIFT buttons to move the flashing part to the item whose setting is to be changed.
- Press the (+) and (-) SET buttons, and change the setting.

5 Upon completion of the settings, set the PROGRAM switch to the OFF position.

The setting menu screen is cleared from the TV monitor, and the normal mode is restored.

6 Press the TIMER MODE button on the front panel and set it to the internal timer recording mode (the "INT" lamp lights on the display tube).

When the free-set timer is executed, "*" will appear on the right of the free-set timer number.

<Notes>

- If the cassette tape has not been inserted or its accidental erasure prevention tab has been broken out, the buzzer will sound, and the INT lamp will flash.

The buzzer will sound and the INT lamp will flash also when the date/time or the program timer has not been set.

- To release the internal timer recording mode, press the TIMER MODE button to turn off the INT lamp on the display tube.

[FREE SET TIMER]				P9
	MONTH	DAY	SET	
1)	*	5	- 3	SUN
1)	*	5	- 4	SUN
1)	*	5	- 5	SUN
4)	**	-	**	*****
5)	**	-	**	*****
6)	**	-	**	*****
7)	**	-	**	*****
8)	**	-	**	*****
9)	**	-	**	*****
10)	**	-	**	*****
11)	**	-	**	*****
12)	**	-	**	*****

<Note>

If the time zone programmed using the free-set timer overlaps the time zone programmed using the weekly timer, the free-set timer takes precedence.

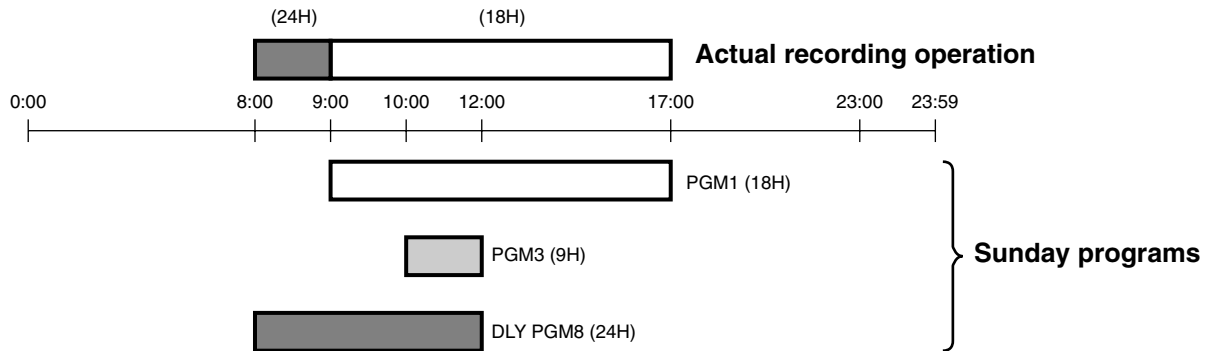
Useful functions

Example of some internal timer recording programs

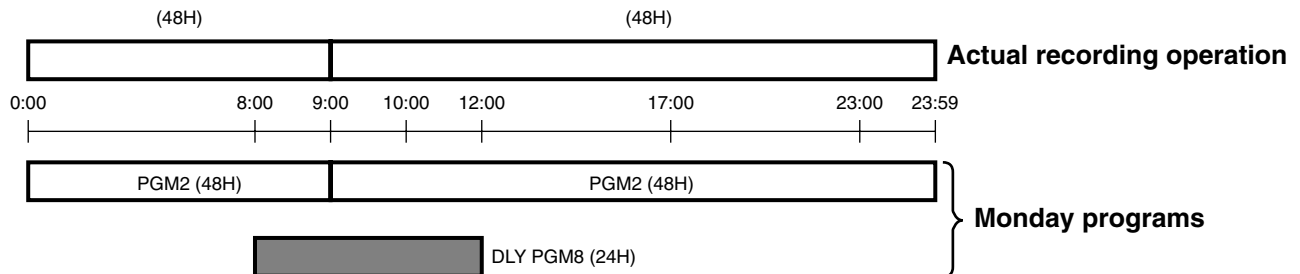
[PROGRAM TIMER]					P8
(TIMER)	START	END	REC-TYPE		
PGM1	9:00	17:00	RT1 (18H*04)		
PGM2	9:00	9:00	RT3 (48H*02)		
PGM3	10:00	12:00	RT2 (9H*06)		
PGM4	0:00	0:00	RT0 (OFF*16)		
PGM5	23:00	6:00	RT4 (72H*04)		
PGM6	10:00	11:00	RT0 (OFF*16)		
PGM7	5:00	6:00	RT7 (120H*01)		
PGM8	8:00	12:00	RT6 (24H*16)		

[[INTERNAL WEEKLY TIMER]							
(SUN	MON	TUE	WED	THU	FRI	SAT	DLY)
PGM1	PGM2	***	PGM1	PGM6	PGM5	***	PGM8
PGM3	***	***	***	***	***	PGM7	***

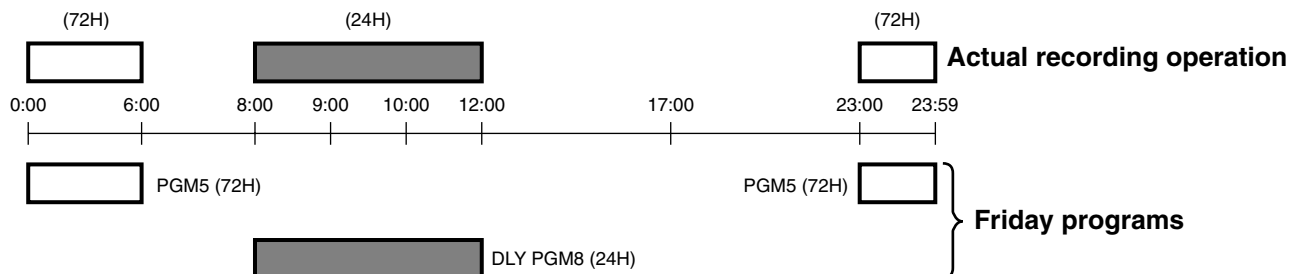
■ Recording on Sunday



■ Recording on Monday



■ Recording on Friday



Useful functions

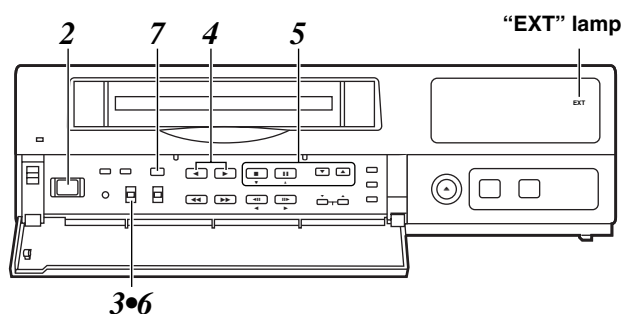
External timer recording

Using an external timer, recording can be started and ended at any time which has been set.

<Note>

Before setting the external timer recording, complete the connections as well as the steps for "Setting the date and time" (page 11) and "Setting the recording time mode and number of cameras" (page 14).

When using an external timer connected to the unit's power cord (control exercised at the primary power supply side)



- 1 Connect the external timer to the unit's power cord, and turn on its power.
- 2 Set the unit's POWER switch to ON, and insert the cassette tape.
- 3 Set the PROGRAM switch to the MENU position. The setting menu screen now appears on the TV monitor.
- 4 Press the PAGE (+) or PAGE (-) button to display the P7 TERMINAL INPUT SELECT screen. The flashing items are ones that can be set.

[TERMINAL INPUT SELECT]	P7
EXT TIMER IN	OFF
TIME ADJUST IN	9:00
[TERMINAL OUTPUT SELECT]	
ALARM/SENSOR OUT	CONTINUE
ERROR WARN/REC OUT	WARNING
EXT TIMER OUT	START 0:00
	END 0:00
[VIDEO OUT SEQUENCE]	
SW INTERVAL	2s
BYPASS CAMERA	OFF
BLACK MATTE	OFF
LL CAMERA	OFF
[EXT SWITCHER]	
MODE	VIDEO OUT

5 Use the (▼) and (▲) SHIFT buttons to move the flashing part to the EXT TIMER IN item, and press the (+) and (-) SET buttons to select OFF as the item's setting.

6 Upon completion of the settings, set the PROGRAM switch to the OFF position. The setting menu screen is cleared from the TV monitor, and the normal mode is restored.

7 Press the TIMER MODE button on the front panel and set it to the external timer recording mode (the "EXT" lamp lights on the display tube).

<Notes>

- If the cassette tape has not been inserted or its accidental erasure prevention tab has been broken out, the buzzer will sound, and the EXT lamp will flash.
- To release the external timer recording mode, press the TIMER MODE button to turn off the EXT lamp on the display tube.

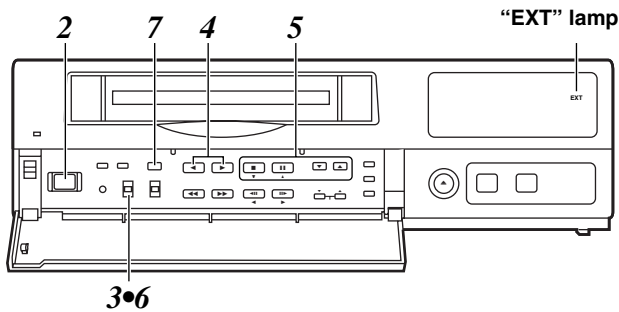
8 Set the external timer. Recording will start automatically when the unit's power is turned on by the operation of the external timer.

<Note>

While the unit's power is not turned on in the external timer recording mode, sensor recording will not be performed even if an alarm signal is input.

Useful functions

When using an external timer connected to the terminal section on the unit's rear panel (control exercised at the EXT TIMER connector)



- 1 Connect the external timer to the terminal section on the unit's rear panel, and turn on its power.
- 2 Set the unit's POWER switch to ON, and insert the cassette tape.
- 3 Set the PROGRAM switch to the MENU position. The setting menu screen now appears on the TV monitor.
- 4 Press the PAGE (+) or PAGE (-) button to display the P7 TERMINAL INPUT SELECT screen. The flashing items are ones that can be set.

[TERMINAL INPUT SELECT]		P7
EXT TIMER IN	OFF	
TIME ADJUST IN	9:00	
[TERMINAL OUTPUT SELECT]		
ALARM/SENSOR OUT	CONTINUE	
ERROR WARN/REC OUT	WARNING	
EXT TIMER OUT	START 0:00	
	END 0:00	
[VIDEO OUT SEQUENCE]		
SW INTERVAL	2s	
BYPASS CAMERA	OFF	
BLACK MATTE	OFF	
LL CAMERA	OFF	
[EXT SWITCHER]		
MODE	VIDEO OUT	

- 5 Use the (▼) and (▲) SHIFT buttons to move the flashing part to the EXT TIMER IN item, and press the (+) and (-) SET buttons to select ON as the item's setting.
- 6 Upon completion of the settings, set the PROGRAM switch to the OFF position. The setting menu screen is cleared from the TV monitor, and the normal mode is restored.

- 7 Press the TIMER MODE button on the front panel and set it to the external timer recording mode (the "EXT" lamp lights on the display tube). The power is automatically turned off, and the unit waits for the control signal to be sent from the external timer.

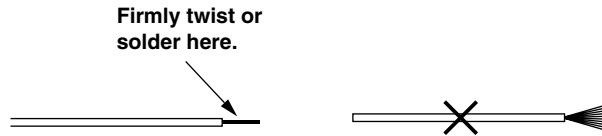
<Notes>

- If the cassette tape has not been inserted or its accidental erasure prevention tab has been broken out, the buzzer will sound, and the EXT lamp will flash.
- To release the external timer recording mode, press the TIMER MODE button to turn off the EXT lamp on the display tube.

- 8 Set the external timer. Recording will start automatically when the unit's power is turned on by the control signal sent from the external timer.

Terminal connections

As shown below, firmly twist the end of the cord which is to be connected to the terminal section.



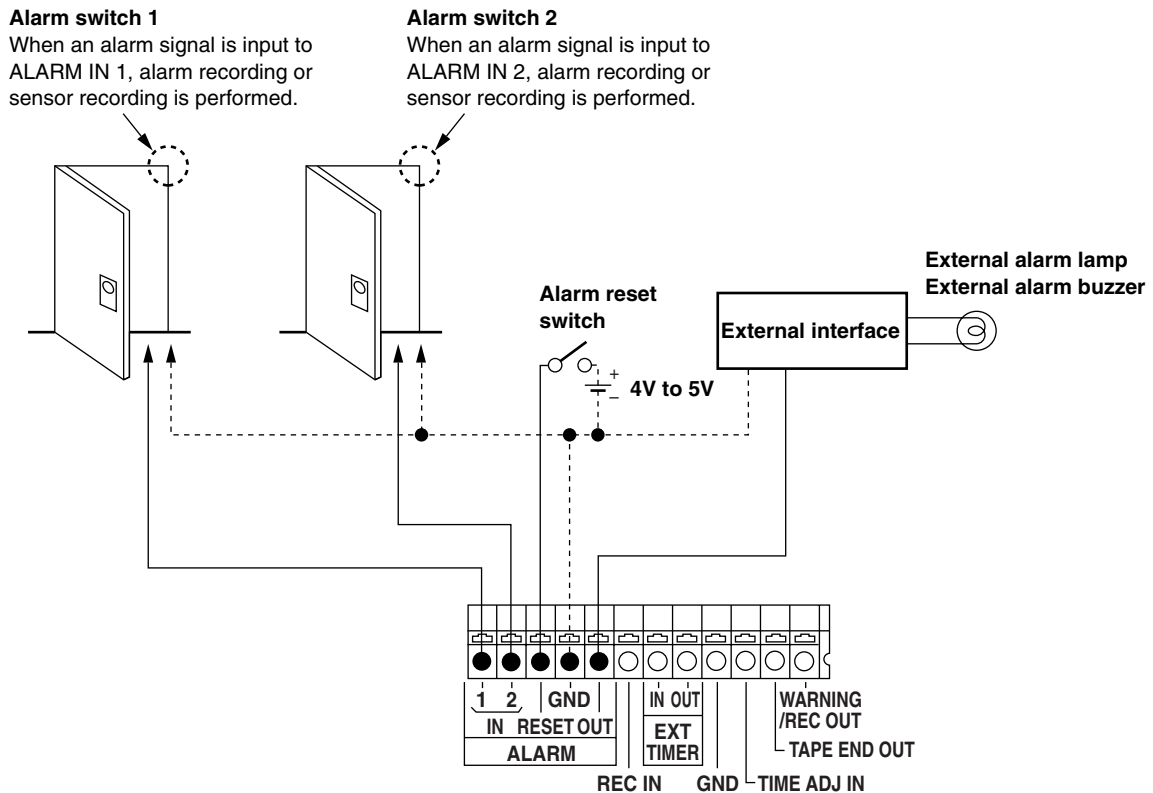
Solid wire : 0.4 to 1.2 mm diameter
Twisted wire : 0.3 to 1.25 mm
 (The diameter of the strands must be 0.18 mm or more.)



When connecting or disconnecting the cord, press this part down using a regular screwdriver.

- Failure to twist the end of the cord firmly can cause short-circuiting.

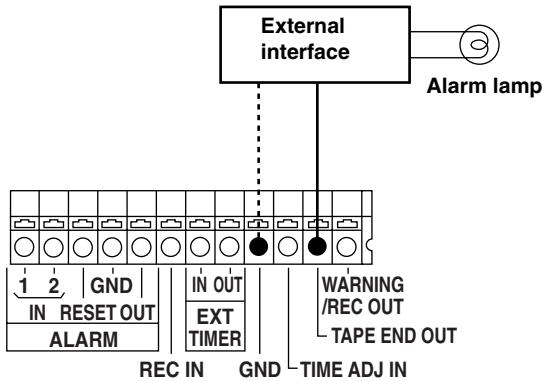
Alarm recording connections



- When alarm recording has been set for MODE on the menu screen shown on P4 ALARM/SENSOR REC, alarm recording is started when the alarm switch is set to ON.
- Alarm recording is released when the alarm reset switch is set to ON.

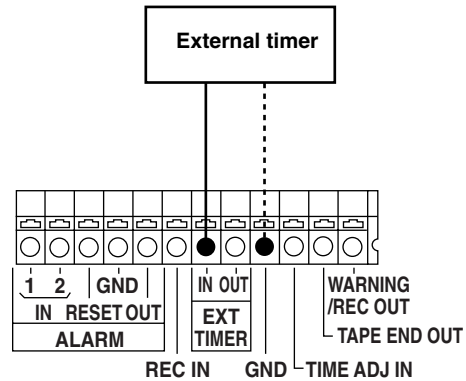
Terminal connections

Tape-end output connections



When the cassette tape comes to its end during recording, the alarm device which has been installed externally is triggered.

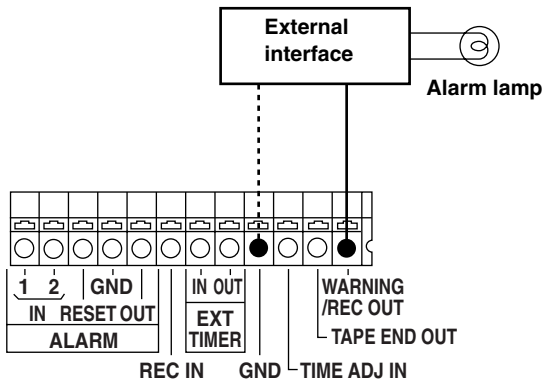
External timer input connections



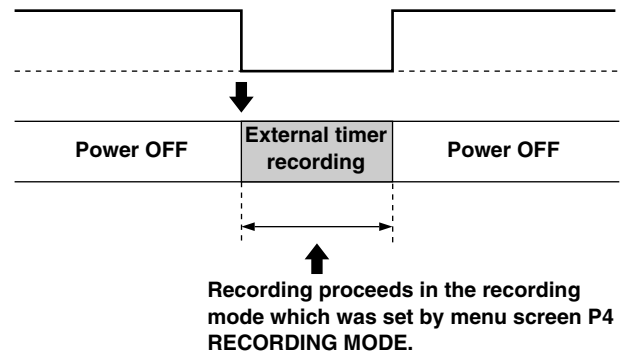
An external timer can be used for recording.

- Select ON for EXT TIMER IN on the menu screen shown on P7 TERMINAL INPUT SELECT, and set the front panel TIMER MODE button to EXT (external timer recording). The unit's power is turned off, and recording is started by the signal from the external timer.

Auto OFF output connections and recording output connections



External timer signal



The auto OFF output and recording output connections are the same. Select between them using ERROR WARN/REC OUT on the menu screen shown on P7 TERMINAL OUTPUT SELECT.

Auto OFF output

When a problem has occurred in the unit, the alarm device which has been installed externally is triggered.

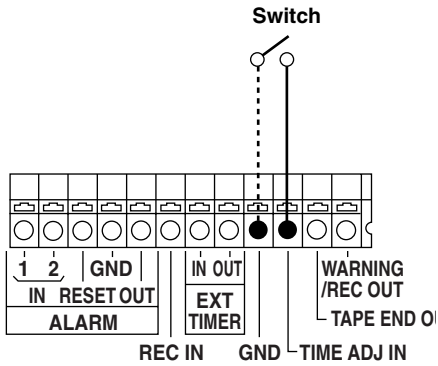
In this case, the error code appears on the display. (See page 102.)

Recording output

When the unit is set to the recording mode, the alarm device which has been installed externally is triggered.

Terminal connections

Time setting connections



When setting the unit's time using an external switch

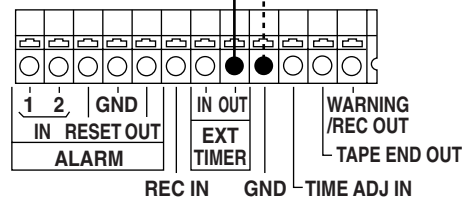
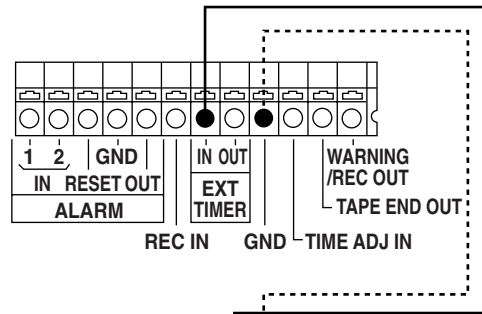
- Using the TIME ADJUST IN item on the menu screen shown on P7 TERMINAL INPUT SELECT, set the time which is to be set when the signal is supplied from the external switch.
- When the external switch is set to ON, the unit is set to the set time.

External timer input connections

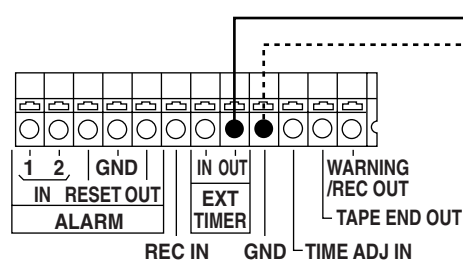
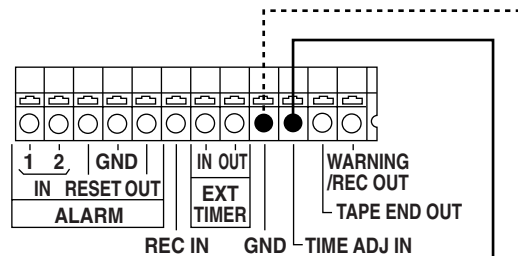
A second time lapse recorder unit can be used as an external timer or the external switch for setting the time.

- Using the EXT TIMER OUT item on the menu screen shown on P7 TERMINAL OUTPUT SELECT, set the start time (START) and end time (END) at which the control signals are to be output.

When using a second time lapse recorder as an external timer



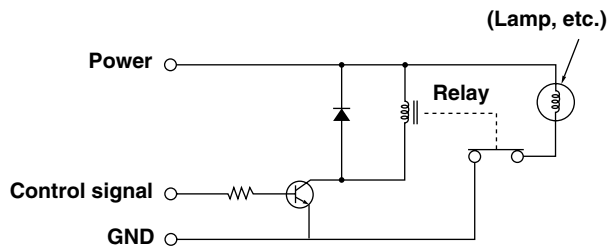
When using a second time lapse recorder as the external switch for setting the time



Terminal signal levels

External interface preparation specifications

Example of lamp lighted by HIGH signal

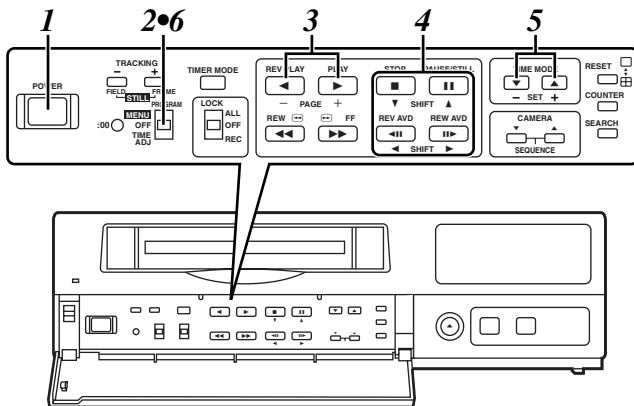


- Use devices with ratings which support the actual operating conditions.

Terminal	Signal level	Remarks	Terminal	Signal level	Remarks
ALARM IN 1/2	 $V_{IH} = 4.0\text{ V to }5.0\text{ V}$ $V_{IL} = 0.0\text{ V to }0.6\text{ V}$ $T \geq 100\text{ ms}$	Ground input	TIME ADJ IN	 $V_{IH} = 4.0\text{ V to }5.0\text{ V}$ $V_{IL} = 0.0\text{ V to }0.6\text{ V}$ $T \geq 100\text{ ms}$	Ground input
ALARM RESET IN	 $V_{IH} = 4.0\text{ V to }5.0\text{ V}$ $V_{IL} = 0.0\text{ V to }0.6\text{ V}$ $T \geq 100\text{ ms}$	High input	TAPE END OUT	 $V_{OH} = 11.0\text{ V to }13.0\text{ V}$ $V_{OL} = 0.0\text{ V to }0.6\text{ V}$ 4.7 kΩ pull-up resistor (+12V) output	Ground output When REPEAT has been selected as the (TAPE END) MODE setting on the menu screen shown on P5 (VTR MODE SELECT), output time T is 2 seconds. If a setting other than REPEAT is selected, the signal will continue to be output until one of the function buttons is pressed. The signal will continue to be output until one of the function buttons is pressed also when a setting other than OFF has been selected as the LEVEL setting on the menu screen shown on P6 TAPE REMAIN.
ALARM OUT	 $V_{OH} = 11.0\text{ V to }13.0\text{ V}$ $V_{OL} = 0.0\text{ V to }0.6\text{ V}$ 4.7 kΩ pull-up resistor (+12V) output	Ground output The output format is set using the ALARM/SENSOR OUT item on the menu screen shown on P7 TERMINAL OUTPUT SELECT.	WARNING/R EC OUT	 Open drain output $V_{OL} = 0.0\text{ V to }1.0\text{ V}$ Max. 200 mA drive enabled	Ground output
REC IN	 $V_{IH} = 4.0\text{ V to }5.0\text{ V}$ $V_{IL} = 0.0\text{ V to }0.6\text{ V}$ $T \geq 100\text{ ms}$	Ground input			
EXT TIMER IN	 $V_{IH} = 4.0\text{ V to }5.0\text{ V}$ $V_{IL} = 0.0\text{ V to }0.6\text{ V}$ T: Recording time	Ground input Recording is performed during the V_IL input (T).			
EXT TIMER OUT	 $V_{OL} = 0.0\text{ V to }0.6\text{ V}$	Ground output Output time T is set using the EXT TIMER OUT item on the menu screen shown on P7 TERMINAL OUTPUT SELECT.			

Setting menus

Setting method



- 1** Set the POWER switch to ON.
- 2** Set the PROGRAM switch to the MENU position.
The setting menu screen now appears on the TV monitor.
- 3** Press the PAGE (+) or PAGE (-) button to display the setting screen.
The flashing items are ones that can be set.
- 4** Use the (▼), (▲), (◀) and (▶) SHIFT buttons to move the flashing part to the item whose setting is to be changed.
- 5** Press the (+) and (-) SET buttons to change the setting.
- 6** Upon completion of the settings, set the PROGRAM switch to the OFF position.
The setting menu screen is cleared from the TV monitor, and the normal mode is restored.

Setting menus

Menu page P1

P1
[TIME/DATE PRESET] 2000- 1-01 SAT 00:00:00 [REC LOCK] MODE OFF [HOUR METER] 00000h

TIME/DATE PRESET screen

Menu item	Description of function
Year Month Day Day of the week Hours Minutes Seconds	For setting the date and time Year: 2000 to 2099 Month: 1 to 12 Day: 01 to 31 Day of the week: SUN to SAT Seconds: Fixed at 00 Minutes: 00 to 59 Hours: 00 to 23

REC LOCK screen

Menu item	Description of function
MODE	For setting the operation lock mode during recording. ON : During recording, all the buttons and switches with the sole exception of the REC REVIEW button are made non-operational. <u>OFF</u> : Even during recording, all the buttons and switches can be operated.

The underlining indicates the factory mode setting.

HOUR METER screen

Menu item	Description of function
	For displaying as a number of hours the cumulative recording duration from the time when recording was started.

Setting menus

Menu page P2

[DISPLAY]			P2
CHARACTER	WHITE		
POSITION	R-BOTTOM		
TIME SELECT	24HOURS		
DATE	ON		
TIME	ON		
T-MODE	ON		
REC/ALARM	ON		
[REC LOSS INDICATOR]			
VIDEO OUT	CAMERA		
[DAYLIGHT SAVINGS]			
MODE	OFF		
	<WEEK>	<MONTH>	<TIME>
START	1ST-SUN	4	2:00
END	LST-SUN	10	2:00

DISPLAY screen

Menu item	Description of function
CHARACTER	For setting the type of characters which are displayed on the monitor screen. <u>WHITE</u> : White characters with black borders are displayed. <u>BLACK</u> : Black characters with white borders are displayed.
POSITION	For setting the position where the characters are displayed on the monitor screen. <u>L-UPPER</u> : The characters are displayed at the top left of the screen. <u>R-UPPER</u> : The characters are displayed at the top right of the screen. <u>L-BOTTOM</u> : The characters are displayed at the bottom left of the screen. <u>R-BOTTOM</u> : The characters are displayed at the bottom right of the screen. <u>CENTER</u> : The characters are displayed in the center of the screen.
TIME SELECT	For setting the 12-hour or 24-hour system for the time. <u>24HOURS</u> : The 24-hour system is used to display the time. <u>AM/PM</u> : The 12-hour AM/PM system is used to display the time.
DATE	For setting whether to display the date on the monitor screen. <u>ON</u> : The date is displayed on the monitor screen. <u>OFF</u> : The date is not displayed on the monitor screen.
TIME	For setting whether to display the time on the monitor screen. <u>ON</u> : The time is displayed on the monitor screen. <u>OFF</u> : The time is not displayed on the monitor screen.
T-MODE	For setting whether to display the recording time mode and camera number on the monitor screen. <u>ON</u> : The recording time mode and camera number are displayed on the monitor screen. <u>OFF</u> : The recording time mode and camera number are not displayed on the monitor screen.
REC/ALARM	For setting whether to display the alarm number and operation mode on the monitor screen. <u>ON</u> : The alarm number and operation mode are displayed on the monitor screen. <u>OFF</u> : The alarm number and operation mode are not displayed on the monitor screen.

The underlining indicates the factory mode setting.

REC LOSS INDICATOR screen

Menu item	Description of function
VIDEO OUT	For setting the video signals to be output to the monitor screen in all modes except the recording mode. <u>CAMERA</u> : Video signals from the camera are output to the monitor screen. <u>BLUE</u> : The blue background signals are output to the monitor screen.

The underlining indicates the factory mode setting.

Setting menus

Menu page P2

[DISPLAY]		P2
CHARACTER	WHITE	
POSITION	R-BOTTOM	
TIME SELECT	24HOURS	
DATE	ON	
TIME	ON	
T-MODE	ON	
REC/ALARM	ON	
[REC LOSS INDICATOR]		
VIDEO OUT	CAMERA	
[DAYLIGHT SAVINGS]		
MODE	OFF	
	<WEEK>	<MONTH>
START	1ST-SUN	4 2:00
END	LST-SUN	10 2:00

DAYLIGHT SAVING screen

Menu item	Description of function
MODE	For switching the daylight saving time setting ON or OFF. ON : Daylight saving time is set to ON. OFF: Daylight savings time is set to OFF.
START	For setting the day and time when daylight saving time starts. <WEEK> For setting the week and day of the week when daylight saving time is due to start. 1ST : 1st week 2ND : 2nd week 3RD : 3rd week 4TH : 4th week LST : Last week SUN—SAT Factory mode setting (1ST-SUN) <MONTH> For setting the month at which daylight saving time is due to start. 1—12 Factory mode setting (4) <TIME> For setting the time at which daylight saving time is due to start. The minutes cannot be set. 1:00—22:00 Factory mode setting (2:00)
END	For setting the day and time when daylight savings time ends. <WEEK> For setting the week and day of the week when daylight saving time is due to end. 1ST : 1st week 2ND : 2nd week 3RD : 3rd week 4TH : 4th week LST : Last week SUN—SAT Factory mode setting (LST-SUN) <MONTH> For setting the month at which daylight saving time is due to end. 1—12 Factory mode setting (10) <TIME> For setting the time at which daylight saving time is due to end. The minutes cannot be set. 1:00—22:00 Factory mode setting (2:00)

The underlining indicates the factory mode setting.

Setting menus

Menu page P3

[RECORDING T-MODE & CAMERA]		P3
REC T-	C. (CAMERA SELECT)	
TYPE MODE NO	C1 C3 C5 C7 C9 C11 C13 C15 C2 C4 C6 C8 C10 C12 C14 C16	
RT0	OFF* 16	Y Y Y Y Y Y Y Y
RT1	OFF* 16	Y Y Y Y Y Y Y Y
RT2	OFF* 16	Y Y Y Y Y Y Y Y
RT3	OFF* 16	Y Y Y Y Y Y Y Y
RT4	OFF* 16	Y Y Y Y Y Y Y Y
RT5	OFF* 16	Y Y Y Y Y Y Y Y
RT6	OFF* 16	Y Y Y Y Y Y Y Y
RT7	OFF* 01	C1
		Y:YES N:NO

RECORDING T-MODE & CAMERA screen

Menu item	Description of function
REC TYPE	The combination of recording time mode and number of cameras is registered as the recording type. RT0—RT7 <Notes> ● The recording time mode (T-MODE) for RT0 is fixed at OFF. ● The number of cameras (CAMERA SELECT) for RT7 is fixed at 1 (01).
T-MODE	For setting the recording time mode. OFF, 3H, 9H, 12H, 18H, 24H, 48H, 72H, 96H, 120H, 180H, 240H, 360H, 480H, 960H <Note> When OFF is selected as the recording time mode, the mode will accord with the setting of the TIME MODE button (on the sub panel).
C. NO	The number of cameras set for the CAMERA SELECT item appears in this column.
CAMERA SELECT	For selecting Y (yes) or N (no) to determine whether or not a particular camera number is to be used. Y : The camera will be used. N : The camera will not be used. <Note> It is not possible to select N (NO) for all the cameras.

Menu page P4

[RECORDING MODE]		P4
FIELD/FRAME	FIELD	
PICTURE QUALITY	HIGH	
REC-TYPE	RT0 (OFF*16)	
[ALARM/SENSOR REC]		
MODE	OFF	
FIELD/FRAME	FIELD	
PICTURE QUALITY	HIGH	
DURATION	0.5min	
BUZZER	OFF	
REPEAT	OFF	
GROUP ALARM1	RT0 (OFF*16)	
GROUP ALARM2	RT0 (OFF*16)	

RECORDING MODE screen

Menu item	Description of function
FIELD/FRAME	For selecting field recording or frame recording. <u>FIELD</u> : Field recording is initiated. FRAME: Frame recording is initiated.
PICTURE QUALITY	For setting the quality of the pictures to be recorded. <u>HIGH</u> : The pictures are recorded at a high quality. NORMAL : The pictures are recorded at the standard quality.
REC-TYPE	For selecting the recording type from what has been registered on menu page P3. <u>RT0—RT7</u>

The underlining indicates the factory mode setting.

<Note>

When RT7 has been selected as the REC-TYPE item setting, the FIELD/FRAME item setting is overridden and frame recording is forcibly initiated.

Setting menus

Menu page P4

[RECORDING MODE]		P4
FIELD/FRAME	FIELD	
PICTURE QUALITY	HIGH	
REC-TYPE	RT0 (OFF*16)	
[ALARM/SENSOR REC]		
MODE	OFF	
FIELD/FRAME	FIELD	
PICTURE QUALITY	HIGH	
DURATION	0.5min	
BUZZER	OFF	
REPEAT	OFF	
GROUP ALARM1	RT0 (OFF*16)	
GROUP ALARM2	RT0 (OFF*16)	

ALARM/SENSOR REC screen

Menu item	Description of function
MODE	For setting what recording operation is to be performed when an alarm signal has been input. <u>OFF</u> : The unit operates normally regardless of whether an alarm signal is input. ALARM/SENSOR: Alarm recording or sensor recording is performed. ALARM : Alarm recording is performed. SENSOR: Sensor recording is performed.
FIELD/FRAME	For selecting field recording or frame recording when alarm recording or sensor recording is to be performed. <u>FIELD</u> : Field recording is performed. FRAME : Frame recording is performed.
PICTURE QUALITY	For setting the picture quality when alarm recording or sensor recording is to be performed. <u>HIGH</u> : Recording is performed at a high quality. NORMAL : Recording is performed at the standard quality. NO CHANGE : Recording is performed at the current quality setting.
DURATION	For setting the length of the alarm recording or sensor recording. <u>0.5min</u> : Recording for 30 seconds. 1.0min : Recording for 1 minute. 1.5min : Recording for 1 minute and 30 seconds. 2.0min : Recording for 2 minutes. 3.0min : Recording for 3 minutes. 5.0min : Recording for 5 minutes. 10min : Recording for 10 minutes. CONTINUE: Recording continues until the tape-end. MANUAL : Recording is performed only while an alarm signal is input.
BUZZER	For setting whether the buzzer is to sound during alarm recording or sensor recording. <u>ON</u> : The buzzer sounds. It stops when any one of the function buttons is pressed. <u>OFF</u> : The buzzer does not sound.
REPEAT	For setting whether alarm recording or sensor recording is to be performed if an alarm signal has been input while repeat recording is underway or while the tape is being rewound. <u>OFF</u> : Alarm recording or sensor recording is not performed when the tape is being rewind. If an alarm signal has been input even when tape rewinding is completed, alarm recording or sensor recording is performed. <u>ON</u> : Alarm recording or sensor recording (or both) is forcibly performed even while the tape is being rewind.
GROUP ALARM1	For selecting the recording type from what was registered on menu page P3 when alarm recording or sensor recording is to be performed if an alarm signal is input to ALARM IN 1. <u>RT0—RT7</u>
GROUP ALARM2	For selecting the recording type from what was registered on menu page P3 when alarm recording or sensor recording is to be performed if an alarm signal is input to ALARM IN 2. <u>RT0—RT7</u>

The underlining indicates the factory mode setting.

<Note>

When RT7 has been selected as the REC-TYPE item setting, the FIELD/FRAME item setting is overridden and frame recording is forcibly initiated.

Setting menus

Menu page P5

[VTR MODE SELECT]		P5
(TAPE IN)	STOP	
(TAPE END)		
MODE	STOP	
ALARM IN	STOP	
(EJECT OPERATION)	EJECT	
(VIDEO MODE)	AUTO	

VTR MODE SELECT screen

Menu item	Description of function
(TAPE IN)	For setting the operation mode that is to be established when the cassette tape has been inserted into the unit. <u>STOP</u> : The unit is set to the stop mode. REC : Recording is performed. REW → REC: The tape is first rewound to its start, and then recording is performed.
(TAPE END) MODE	For setting the operation mode that is to be established when the tape-end position is reached. <u>STOP</u> : The unit is set to the stop mode at the tape-end position. BUZZER : The unit is set to the stop mode at the tape-end position, and the buzzer sounds. REW : The tape is rewound to its start position, and then the unit is set to the stop mode. REPEAT : The tape is rewound to its start position, and recording is performed. EJECT : The tape is ejected at the tape-end position.
(TAPE END) ALARM IN	For setting the operation mode that is to be established when the tape-end position is reached after alarm recording or sensor recording has been performed. <u>STOP</u> : The unit is set to the stop mode at the tape-end position. The tape is ejected when EJECT has been selected as the (TAPE END) MODE setting. CONTINUE: The unit continues with the operation selected as the (TAPE END) MODE setting regardless of whether an alarm signal is input.
(EJECT OPERATION)	For setting the EJECT button operation. <u>EJECT</u> : The tape is ejected by operating the button. REW → EJECT: The tape is ejected after it has been rewound to its start position by operating the button.
(VIDEO MODE)	For setting the color of the video output signal. <u>AUTO</u> : The color is automatically switched in accordance with the input signal. B/W : The signal is forcibly set to monochrome.

The underlining indicates the factory mode setting.

Setting menus

Menu page P6

[TAPE REMAIN]		P6
LEVEL	OFF	
BUZZER	OFF	
[REC REVIEW]		
AUTO	OFF	
ERROR BUZZER	OFF	
[ERROR WARN BUZZER]		
MODE	OFF	
[REC WARNING]		
REC LOSS BUZZER	OFF	

TAPE REMAIN screen

Menu item	Description of function
LEVEL	For setting at what point REMAIN is to flash on the display tube and the remaining tape warning is to be displayed when the tape-end position is about to be reached. (When using a 120-minute tape) The REMAIN flashing is released when any button is pressed. <u>OFF</u> : The remaining tape warning is not displayed. 2% : The warning is displayed when the remaining tape amount is less than approximately 2%. 10%: The warning is displayed when the remaining tape amount is less than approximately 10%. 20%: The warning is displayed when the remaining tape amount is less than approximately 20%. 30%: The warning is displayed when the remaining tape amount is less than approximately 30%.
BUZZER	For setting whether the buzzer is to sound when the tape-end position is about to be reached. The buzzer is stopped when any button is pressed. ON : The buzzer sounds at the position which was set for the LEVEL item. <u>OFF</u> : The buzzer does not sound.

The underlining indicates the factory mode setting.

REC REVIEW screen

Menu item	Description of function
AUTO	For setting automatic REC REVIEW. (This function plays back the recording after recording for a specific time in order to detect whether the proper video level is being maintained during recording.) ON : REC REVIEW is performed automatically. If the level detected is found to be unacceptable, the tape is loaded and unloaded three times, and REC REVIEW is automatically performed again. If it is still unacceptable even after this, recording is performed. <u>OFF</u> : REC REVIEW is not performed automatically.
ERROR BUZZER	For setting whether the buzzer is to sound when it is discovered by REC REVIEW that the proper video level was not maintained. ON : The buzzer sounds. It is stopped when any button is pressed. <u>OFF</u> : The buzzer does not sound.

The underlining indicates the factory mode setting.

Setting menus

Menu page P6

[TAPE REMAIN]		P6
LEVEL	OFF	
BUZZER	OFF	
[REC REVIEW]		
AUTO	OFF	
ERROR BUZZER	OFF	
[ERROR WARN BUZZER]		
MODE	OFF	
[REC WARNING]		
REC LOSS BUZZER	OFF	

ERROR WARN BUZZER screen

Menu item	Description of function
MODE	For setting whether the buzzer is to sound when a problem occurs in the unit and the power is automatically turned off. <u>ON</u> : The buzzer sounds. <u>OFF</u> : The buzzer does not sound.

The underlining indicates the factory mode setting.

REC WARNING screen

Menu item	Description of function
REC LOSS BUZZER	For setting whether the buzzer is to sound when the unit is kept in the stop mode for a prolonged period of time. The buzzer is stopped when any button is pressed. <u>OFF</u> : The buzzer does not sound. 5min : The buzzer sound when the unit is kept in the stop mode for 5 minutes. 10min : The buzzer sound when the unit is kept in the stop mode for 10 minutes. 20min : The buzzer sound when the unit is kept in the stop mode for 20 minutes. 30min : The buzzer sound when the unit is kept in the stop mode for 30 minutes.

The underlining indicates the factory mode setting.

Setting menus

Menu page P7

[TERMINAL INPUT SELECT]		P7
EXT TIMER IN	OFF	
TIME ADJUST IN	9:00	
[TERMINAL OUTPUT SELECT]		
ALARM/SENSOR OUT	CONTINUE	
ERROR WARN/REC OUT	WARNING	
EXT TIMER OUT	START 0:00	
	END 0:00	
[VIDEO OUT SEQUENCE]		
SW INTERVAL	2s	
BYPASS CAMERA	OFF	
BLACK MATTE	OFF	
LL CAMERA	OFF	
[EXT SWITCHER]		
MODE	VIDEO OUT	

TERMINAL INPUT SELECT screen

Menu item	Description of function
EXT TIMER IN	For setting whether the signals from the external timer connected to the rear panel terminal section are to be acknowledged in the external timer recording mode. <u>ON</u> : The signals from the external timer are acknowledged. <u>OFF</u> : The signals from the external timer are not acknowledged. Select OFF when using an external timer which has been connected to the unit's power cord.
TIME ADJUST IN	For setting the time to be set when signals have been input from the component connected to TIME ADJ IN on the rear panel terminal section. 00:00 to 23:59, RESET Factory setting mode (9:00) <Notes> <ul style="list-style-type: none"> • The seconds are fixed at "00." • When signals are input after RESET has been set, the minutes of the time are set to "00." The minute setting is returned to "00" while it is between 0 and 15 minutes when signals are input. The hour is carried up and the minutes are set to "00" while the setting is between 45 and 59 minutes when signals are input.

The underlining indicates the factory mode setting.

TERMINAL OUTPUT SELECT screen

Menu item	Description of function
ALARM/SENSOR OUT	For setting how the control signals are to be output to the component connected to ALARM OUT on the rear panel terminal section when alarm recording or sensor recording is performed. <u>CONTINUE</u> : The control signals continue to be output even after recording. ALARM REC : The control signals are output only during alarm recording or sensor recording.
ERROR WARN/REC OUT	For setting how the control signals are to be output to the component connected to WARNING/REC OUT on the rear panel terminal section when a problem has occurred in the unit. <u>WARNING</u> : The control signals continue to be output. REC : The control signals are output only during recording.
EXT TIMER OUT	For setting the START time and END time at which the control signals are to be output to the component connected to EXT TIMER OUT on the rear panel terminal section. <u>0:00—23:59</u> <Note> The control signals are not output when the same time has been set for both the START and END times.

The underlining indicates the factory mode setting.

Setting menus

Menu page P7

[TERMINAL INPUT SELECT]		P7
EXT TIMER IN	OFF	
TIME ADJUST IN	9:00	
[TERMINAL OUTPUT SELECT]		
ALARM/SENSOR OUT	CONTINUE	
ERROR WARN/REC OUT	WARNING	
EXT TIMER OUT	START 0:00	
	END 0:00	
[VIDEO OUT SEQUENCE]		
SW INTERVAL	2s	
BYPASS CAMERA	OFF	
BLACK MATTE	OFF	
LL CAMERA	OFF	
[EXT SWITCHER]		
MODE	VIDEO OUT	

VIDEO OUT SEQUENCE screen

Menu item	Description of function
SW INTERVAL	For setting the timing at which the video signals which are supplied from the camera and which are to be output from the rear panel VIDEO OUT connector are to be switched. 1s (1 sec.), 1.5s (1.5 sec.), <u>2s</u> (2 sec.), 2.5s (2.5 sec.), 3s (3 sec.), 4s (4 sec.), 5s (5 sec.), 10s (10 sec.)
BYPASS CAMERA	For setting whether the video signals of a specific camera are not to be output from the VIDEO OUT connector. <u>OFF</u> : The video signals of all the cameras are output. C1—C16: The video signals of the specified camera/s are not output.
BLACK MATTE	For setting the processing of the black burst signal when switching the video signals which are output from the video signal output connector. ON : The black burst signal is instantly output when the video signal is switched. <u>OFF</u> : The black burst signal is not output when the video signal is switched.
LL CAMERA	For setting the synchronization system of the connected cameras. ON : Line-lock type of cameras <u>OFF</u> : Internal sync and external sync type of cameras <Notes> ● Use of the internal sync type of cameras is recommended. ● Select the ON setting when even one line-lock type of camera is used.

The underlining indicates the factory mode setting.

EXT SWITCHER screen

Menu item	Description of function
MODE	For switching the function of the EXT SW IN/VIDEO OUT connector on the rear panel. <u>VIDEO OUT</u> : The connector is used to output the video signals. EXT SW IN : The connector is used to input the signals of the external sequential switcher.

The underlining indicates the factory mode setting.

Setting menus

Menu page P8

[PROGRAM TIMER] P8			
(TIMER)	START	END	REC-TYPE
PGM1	0:00	0:00	RT0 (OFF*16)
PGM2	0:00	0:00	RT0 (OFF*16)
PGM3	0:00	0:00	RT0 (OFF*16)
PGM4	0:00	0:00	RT0 (OFF*16)
PGM5	0:00	0:00	RT0 (OFF*16)
PGM6	0:00	0:00	RT0 (OFF*16)
PGM7	0:00	0:00	RT0 (OFF*16)
PGM8	0:00	0:00	RT0 (OFF*16)
[INTERNAL WEEKLY TIMER]			
(SUN MON TUE WED THU FRI SAT DLY)			
*** **			
*** **			

PROGRAM TIMER screen

Menu item	Description of function
(TIMER)	Three items—the recording start time, recording end time and the recording type selected for REC TYPE on menu page P3—are combined and registered as the program for recording to be performed using the unit's internal timer. PGM1—PGM8
START	For setting the recording start time for recording to be performed using the unit's internal timer. <u>0:00</u> —23:59
END	For setting the recording end time for recording to be performed using the unit's internal timer. <u>0:00</u> —23:59
REC-TYPE	For setting the recording type for recording to be performed using the unit's internal timer. <u>RT0</u> —RT7

The underlining indicates the factory mode setting.

INTERNAL WEEKLY TIMER screen

Menu item	Description of function
	The programs (max. 2) registered for (TIMER) on the PROGRAM TIMER screen are set for the days of the week. Select DLY when recording every day using a particular program. <u>***</u> , PGM1—PGM8 <Notes> ● Set “***” if no programs are going to be registered. ● The program registered on the top line takes precedence.

The underlining indicates the factory mode setting.

Setting menus

Menu page P9

[FREE SET TIMER]				P9
	MONTH	DAY	SET	
1)	**	-	**	*****
2)	**	-	**	*****
3)	**	-	**	*****
4)	**	-	**	*****
5)	**	-	**	*****
6)	**	-	**	*****
7)	**	-	**	*****
8)	**	-	**	*****
9)	**	-	**	*****
10)	**	-	**	*****
11)	**	-	**	*****
12)	**	-	**	*****

FREE SET TIMER screen

On this screen, the programs registered for (TIMER) on the PROGRAM TIMER screen and the programs of the days of the week which were set on the INTERNAL WEEKLY TIMER screen are set for the desired dates (12 days' worth).

Menu item	Description of function
MONTH	For setting the month of the desired date. <u>1</u> —12, ** <Note> Set "**" if the month is not going to be registered. "**-**-**" appears for MONTH, DAY and SET.
DAY	For setting the day of the desired date. 1—31
SET	For selecting the program which was set using the weekly timer. SUN—SAT, P_OFF (POWER OFF mode throughout the day)

The underlining indicates the factory mode setting.

Setting menus

Menu page P10

[RS-232C PARAMETERS]	P10
BIT LENGTH	7bit
STOP BIT	STOP-1
PARITY	ODD
BAUD RATE	9600
[USER ID REC]	
00000000	

RS-232C PARAMETERS screen

The RS-232C parameters are set on this screen.

Menu item	Description of function
BIT LENGTH	For setting the bit length. <u>7</u> bit, 8bit
STOP BIT	For setting the stop bit. <u>STOP-1</u> , STOP-2
PARITY	For setting the parity. <u>ODD</u> , EVEN, NON
BAUD RATE	For setting the communication speed (bps). 1200, 2400, 4800, <u>9600</u> , 19200

The underlining indicates the factory mode setting.

USER ID REC screen

Menu item	Description of function
	The user ID (max. 8 alphanumeric) is set on this screen. By setting the user ID here, it will be recorded onto the recording tape. <Note> The following 16 alphanumeric can be used. 0, 1, 2, 3, 4, 5, 6, 7, 8, 9, A, B, C, D, E, F

RS-232C

The following functions can be controlled by using the RS-232C interface.

■ Basic operations

The same basic operations as those performed by the unit's buttons and switches can be initiated.

■ Status checks

The unit's current operation mode can be checked.

■ Setting menus

The setting menu items can be detected and set.

■ Search function

Specific frame positions can be searched.

1. Hardware specifications

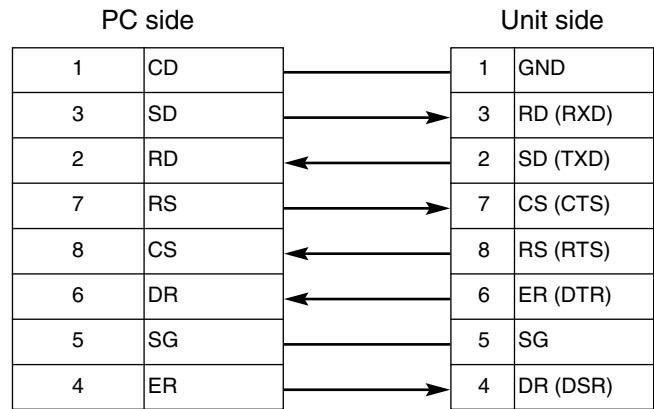
(1) Interface specifications

Connector:

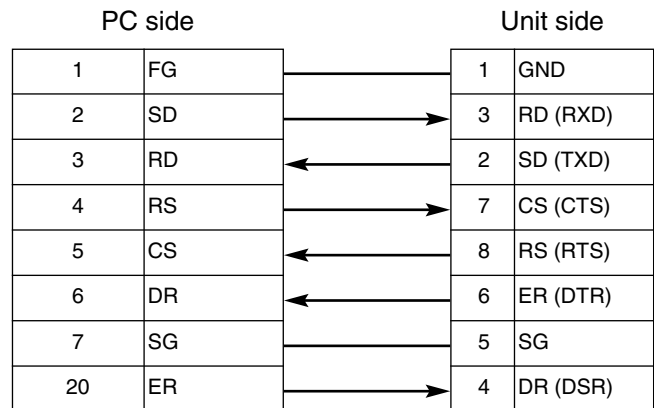
D-Sub 9-pin
DCE specifications (straight cable supported)

Pin No.	Signal	Description
1	GND	GND
2	SD (TXD)	Transmitted Data
3	RD (RXD)	Received Data
4	ER (DTR)	Data Terminal Ready
5	SG	Signal GND
6	DR (DSR)	Data Set Ready
7	CS (CTS)	Clear to Send
8	RS (RTS)	Request to Send
9	N.C	_____

Example of connections (9P)



Example of connections (25P)



(2) Communication parameters

The unit's communication parameters are as follows. To change any of these parameters, make the changes on the menus.

Baud rate : 9600 bps

Bit length : 7 bits

Stop bit : 1 bit

Parity : Odd

2. Software specifications

(1) External interface specifications

Communication system	Asynchronous, full duplex
Baud rate	1200, 2400, 4800, 9600 or 19200 bps
Bit length	8 bits or 7 bits
Stop bit	1 bit or 2 bits
Parity	None, odd or even

<Notes>

- The factory settings are 9600 bps, 7 bits, 1 stop bit and odd parity.
- The unit's receive buffer has a capacity of 127 bytes.

(2) Transmitting format (PC → unit)

■ Data format

[STX] [discrimination] [:] [data] [ETX]
02H XX XX XX 3AH XX……XX 03H

20H<XX<7FH

(XX = hexadecimal character code)

● **discrimination:**

Command identifier (3 bytes)

- **:** : Code serving as a delimiter between the command and data
- **data :** The data code is added as and when required.

1. A send command always starts with STX (character code 02H).
“discrimination” which follows the command is the command identifier. If necessary, “data” is added after the colon (:). The command is ended with ETX (character code 03H).
2. When STX is re-sent before ETX is sent, the unit's internal receive buffer is cleared (all the data received so far is destroyed), the re-sent STX is placed at the head, and the new data is processed.

(3) Receiving format (unit → PC)

The unit responds to a send command with the following format data.

1. First, the unit returns the data that indicates whether the command from the PC was received properly.

- 1) In the case of error-free communication, the unit returns ACK (acknowledge) data.

[ACK]
06H

- 2) If there is an error in the communication, the unit returns data starting with NAK (negative acknowledge character code 15H).
If data is being sent, the unit returns NAK after the data has been sent.
The unit then destroys all the received data with the error.

[NAK] □
15H (XX)

● Content of □

- 1 (31H): Parity error
- 2 (32H): Data overflow error
- 3 (33H): Framing error
- 4 (34H): Overrun error

2. After the unit has returned ACK when the communication was error-free, the unit operates as follows to return the data with the following format.

- 1) The response data (return data) format used when the commands from the PC have been received properly by the unit is as follows:

[STX] [data] [ETX]
02H XX.....XX 03H

example:

Send command Return data = Receive data

[STX] QOP [ETX] → [ACK] [STX] OEJ [ETX]

[STX] QCD [ETX] → [ACK] [STX] CD □□□□□□□□ [ETX]

- 2) When the data contains errors or the a problem occurs in the unit, the nature of the errors or the reason why the data was not received is returned with the following format:

[STX] E R □ [ETX]
02H 45H 52H XX 03H

● Content of □

- 2 (32H) : Cassette up/down error
- 3 (33H) : Loading error
- 4 (34H) : Drum or capstan system error
- 5 (35H) : Reel system error
- 6 (36H) : Tension system error
- 7 (37H) : Solenoid error
- D (44H) : Condensation error
- E (45H) : Command or parameter error
- M (4DH) : Non-executable command (in setting menu mode or time adjustment mode)
- P (50H) : Search error (at tape start or end)
- F (46H) : Search error (search suspended by front panel operation)
- T (54H) : Search error (no target position)
- I (49H) : Search error (search suspended by command)
- O (4FH) : Receive buffer overflow

<Note>

When using a PC to control the unit, check the unit's operations carefully.

It is recommended that the unit be controlled while simultaneously monitoring its status information.

(4) List of commands

The tables below show the send commands for each mode as seen from the PC side and the operations of those commands.

“STX” is hexadecimal code 02H, “ETX” is hexadecimal code 03H, : is hexadecimal code 3AH, and the “discrimination” and “data” parts signify the ASCII codes corresponding to their symbols.

● Communication control commands

Data transmitted by PC	Data returned from unit in response	Description of command
[STX] RAF [ETX]	[STX] RAF [ETX]	Sets the ACK (acknowledge) code return function to OFF.
[STX] RAN [ETX]	[STX] RAN [ETX]	Sets the ACK (acknowledge) code return function to ON.
[STX] RCK [ETX]	[STX] RCK [ETX]	Checks the communication line.
[STX] RSE:m [ETX]	[STX] RSE [ETX]	Sets the search end mode.

● Counter control commands

Data transmitted by PC	Data returned from unit in response	Description of command
[STX] CCP:data [ETX]	[STX] CCP [ETX]	Presets the CTL counter data (same as the CLP command).
[STX] CLP:data [ETX]	[STX] CLP [ETX]	Presets the CTL counter data (same as the CCP command).
[STX] CRT [ETX]	[STX] CRT [ETX]	Resets the CTL counter data.

● Display control commands

Data transmitted by PC	Data returned from unit in response	Description of command
[STX] DBB [ETX]	[STX] DBB [ETX]	Sets the characters to black.
[STX] DBW [ETX]	[STX] DBW [ETX]	Sets the characters to white.
[STX] DDS:d:t:m:r [ETX]	[STX] DDS [ETX]	Sets the display item on the monitor screen.
[STX] DFC:m [ETX]	[STX] DFC [ETX]	Set the display mode of the display tube.
[STX] DMS:d:m:n [ETX]	[STX] DMS [ETX]	Sets the time system (12-hour or 24-hour) display mode.
[STX] DPP:mm [ETX]	[STX] DPP [ETX]	Sets the display position on the monitor screen.

● Media operation control commands

Data transmitted by PC	Data returned from unit in response	Description of command
[STX] HEA [ETX]	[STX] HEA [ETX]	Sets the unit's operation when the EJECT button is pressed to REW → EJECT.
[STX] HEE [ETX]	[STX] HEE [ETX]	Sets the unit's operation when the EJECT button is pressed to EJECT.
[STX] HRE:m [ETX]	[STX] HRE [ETX]	Sets the unit's operation mode at the tape-end position during recording.
[STX] HRL:m [ETX]	[STX] HRL [ETX]	Sets the lock mode for the operation during recording.
[STX] HTI:m [ETX]	[STX] HTI [ETX]	Sets the operation mode that is to be established when the tape has been inserted.
[STX] HTR:m:b [ETX]	[STX] HTR [ETX]	Sets the warning for when the tape-end position is about to be reached.

● Operation control commands

Data transmitted by PC	Data returned from unit in response	Description of command
[STX] OAC [ETX]	[STX] OAC [ETX]	Releases the alarm signal input.
[STX] OAF [ETX]	[STX] OAF [ETX]	Advances the tape frame by frame in the forward direction.
[STX] OAI:n [ETX]	[STX] OAI [ETX]	Inputs the alarm signal.
[STX] OAR [ETX]	[STX] OAR [ETX]	Advances the tape frame by frame in the reverse direction.
[STX] OEJ [ETX]	[STX] OEJ [ETX]	EJECT
[STX] OFF [ETX]	[STX] OFF [ETX]	FAST FORWARD
[STX] OPA [ETX]	[STX] OPA [ETX]	PAUSE
[STX] OPL [ETX]	[STX] OPL [ETX]	PLAY
[STX] OPR [ETX]	[STX] OPR [ETX]	REVERSE PLAY
[STX] ORC [ETX]	[STX] ORC [ETX]	RECORD
[STX] ORR [ETX]	[STX] ORR [ETX]	REC CHECK
[STX] ORW [ETX]	[STX] ORW [ETX]	REWIND
[STX] OSF:n [ETX]	[STX] OSF [ETX]	FORWARD SEARCH
[STX] OSP [ETX]	[STX] OSP [ETX]	STOP
[STX] OSR:n [ETX]	[STX] OSR [ETX]	REVERSE SEARCH

● Power control commands

Data transmitted by PC	Data returned from unit in response	Description of command
[STX] POF [ETX]	[STX] POF [ETX]	Sets the POWER switch to OFF.
[STX] PON [ETX]	[STX] PON [ETX]	Sets the POWER switch to ON.

● Search control commands

Data transmitted by PC	Data returned from unit in response	Description of command
[STX] SAS:data [ETX]	[STX] SAS [ETX]	Performs alarm number search and establishes the STILL mode.
[STX] SCP:data [ETX]	[STX] SCP [ETX]	Performs counter value search and performs playback.
[STX] SCS:data [ETX]	[STX] SCS [ETX]	Performs counter value search and establishes the STILL mode.
[STX] SPT:data [ETX]	[STX] SPT [ETX]	Performs playback as far as the designated position (same as the OPT command).
[STX] STS:data [ETX]	[STX] STS [ETX]	Performs a date and time search and establishes the STILL mode.

● Timer control commands

Data transmitted by PC	Data returned from unit in response	Description of command
[STX] TAT:data [ETX]	[STX] TAT [ETX]	Sets the time to be set when signals have been input from the component connected to TIME ADJ IN on the rear panel terminal section.
[STX] TCS:data [ETX]	[STX] TCS [ETX]	Sets the current date.
[STX] TTS:data [ETX]	[STX] TTS [ETX]	Sets the current time.

● Video control commands

Data transmitted by PC	Data returned from unit in response	Description of command
[STX] VMD:m [ETX]	[STX] VMD [ETX]	Sets the color of the video output signals.
[STX] VNR:m [ETX]	[STX] VNR [ETX]	Sets the video signals to be output to the monitor screen at all times except when the unit is in the recording mode.
[STX] VVC [ETX]	[STX] VVC [ETX]	Detects whether video signals are input.

● Time lapse control commands

Data transmitted by PC	Data returned from unit in response	Description of command
[STX] LAD:m [ETX]	[STX] LAD [ETX]	Sets the duration of the alarm recording or sensor recording.
[STX] LAI:m [ETX]	[STX] LAI [ETX]	Sets the operation mode that is to be established when an alarm signal has been input while the tape is at its end position.
[STX] LAR [ETX]	[STX] LAR [ETX]	Deletes the ALARM RECALL data.
[STX] LBM:m [ETX]	[STX] LBM [ETX]	Sets the processing of the black burst signal when the video signals are switched.
[STX] LBP:m [ETX]	[STX] LBP [ETX]	Prevents the video signals of a specific camera from being output.
[STX] LBR:m [ETX]	[STX] LBR [ETX]	Sets the buzzer when the REW REVIEW results are no-good.
[STX] LBZ:m [ETX]	[STX] LBZ [ETX]	Sets the buzzer during alarm recording or sensor recording.
[STX] LMS:m [ETX]	[STX] LMS [ETX]	Sets the timing at which the video signals which are supplied from the camera and which are to be output from the rear panel VIDEO OUT connector are to be switched.
[STX] LDA:m [ETX]	[STX] LDA [ETX]	Sets the output of the control signals to the component connected to the ALARM OUT terminal.
[STX] LDF:m [ETX]	[STX] LDF [ETX]	Sets the recording mode in which to perform alarm recording or sensor recording.
[STX] LDM:m [ETX]	[STX] LDM [ETX]	Sets recording mode that is to be established when the alarm signal has been input.
[STX] LDO:data1:data2 [ETX]	[STX] LDO [ETX]	Sets the start and end times when the control signals are to be output to the component connected to the EXT TIMER OUT terminal.
[STX] LDP:m [ETX]	[STX] LDP [ETX]	Sets the picture quality for performing alarm recording or sensor recording.
[STX] LDS:m [ETX]	[STX] LDS [ETX]	Selects the mode (field or frame) for performing still-picture playback.
[STX] LDT:m:n [ETX]	[STX] LDT [ETX]	Sets the recording type in which to record when an alarm signal has been input to the ALARM IN 1 or 2 terminal.
[STX] LDW:m [ETX]	[STX] LDW [ETX]	Sets the output of the control signals which are to be output to the component connected to the WARNING/REC OUT connector.
[STX] LDX:m [ETX]	[STX] LDX [ETX]	Switches the function of the EXT SW IN/VIDEO OUT connector.
[STX] LFS:nn:mmdd:p [ETX]	[STX] LFS [ETX]	Sets the free-set timer.
[STX] LIP:n:data1:data2:t [ETX]	[STX] LIP [ETX]	Sets internal timer recording.
[STX] LIW:abcdefghijklmnop [ETX]	[STX] LIW [ETX]	Sets the weekly timer and daily timer.
[STX] LLL:m [ETX]	[STX] LLL [ETX]	Sets the synchronization system of the cameras to be connected.
[STX] LMA:m [ETX]	[STX] LMA [ETX]	Switches the search mode.
[STX] LMP:p:n [ETX]	[STX] LMP [ETX]	Switches the screen display (4-in-1 or 1-screen display) and sets the camera numbers.
[STX] LNR:f:p:t [ETX]	[STX] LNR [ETX]	Sets the recording mode, picture quality and recording type.
[STX] LRB:m [ETX]	[STX] LRB [ETX]	Sets the buzzer operation in the event that the unit is kept in the stop mode for a prolonged period of time.

• Time lapse control commands

Data transmitted by PC	Data returned from unit in response	Description of command
[STX] LRI:m [ETX]	[STX] LRI [ETX]	Sets alarm recording or sensor recording to be performed if an alarm signal has been input while repeat recording is underway or while the tape is being rewound.
[STX] LRM:m [ETX]	[STX] LRM [ETX]	Sets the timer recording mode.
[STX] LRR:m [ETX]	[STX] LRR [ETX]	Sets REC REVIEW.
[STX] LSQ:m:t [ETX]	[STX] LSQ [ETX]	Sets the camera number and sequence mode.
[STX] LST:data1:data2 [ETX]	[STX] LST [ETX]	Sets the start date/time and end date/time for daylight saving.
[STX] LSU:m [ETX]	[STX] LSU [ETX]	Turns daylight saving setting ON or OFF.
[STX] LTM:m [ETX]	[STX] LTM [ETX]	Sets the recording time mode.
[STX] LTY:n:t:abcdefgh [ETX]	[STX] LTY [ETX]	Sets the combination of the recording time mode and number of cameras.
[STX] LUI:data [ETX]	[STX] LUI [ETX]	Sets the recording user ID.
[STX] LWB:m [ETX]	[STX] LWB [ETX]	Sets the buzzer operation during auto OFF.
[STX] LWR [ETX]	[STX] LWR [ETX]	Deletes the POWER LOSS MEMORY data.
[STX] LXT:m [ETX]	[STX] LXT [ETX]	Sets whether to acknowledge the input of the external timer signals.

● Query control commands

Data transmitted by PC	Data returned from unit in response	Description of command
[STX] QAL [ETX]	[STX] ALV0 [ETX]	Queries the address level.
[STX] QAM:m [ETX]	[STX] LDmdata [ETX]	Queries the alarm recording and/or sensor recording setting.
[STX] QBM [ETX]	[STX] LBMm [ETX]	Queries the setting for the black burst signal processing when the video signals are switched.
[STX] QBP [ETX]	[STX] LBPm [ETX]	Queries the camera from which no video signals are to be output.
[STX] QBR [ETX]	[STX] LBRm [ETX]	Queries the buzzer setting for the results yielded by performing REC REVIEW.
[STX] QCC [ETX]	[STX] CCPdata [ETX]	Queries the counter data (same as the QCD command).
[STX] QCD [ETX]	[STX] CDdata [ETX]	Queries the counter data (same as the QCC command).
[STX] QDA [ETX]	[STX] LDAm [ETX]	Queries the output setting of the control signals to the component connected to the ALARM OUT terminal.
[STX] QDB [ETX]	[STX] DBm [ETX]	Queries the color setting for the characters.
[STX] QDD [ETX]	[STX] DDSd:t:m:r [ETX]	Queries the display item setting for the monitor screen.
[STX] QDF [ETX]	[STX] DFCm [ETX]	Queries the display mode of the display tube.
[STX] QDM [ETX]	[STX] DMSd:m:n [ETX]	Queries the time display mode setting.
[STX] QDO [ETX]	[STX] LDOdata1:data2 [ETX]	Queries the setting of the start and end times when the control signals are to be output to the component connected to the EXT TIMER OUT terminal.
[STX] QDP [ETX]	[STX] DPPmm [ETX]	Queries the display position setting for the monitor screen.
[STX] QDS [ETX]	[STX] LDSm [ETX]	Queries the selection of the mode (field or frame) for performing still-picture playback.
[STX] QDW [ETX]	[STX] LDWm [ETX]	Queries the setting for how the control signals are to be output to the component connected to the WARNING/REC OUT terminal.
[STX] QDX [ETX]	[STX] LDXm [ETX]	Queries the setting to switch the EXT SW IN/VIDEO OUT connector function.
[STX] QFS:nn [ETX]	[STX] LFSnn:mmdd:p [ETX]	Queries the free-set timer setting.
[STX] QHI [ETX]	[STX] HTIm [ETX]	Queries the operation mode that is to be established when a tape has been inserted.
[STX] QHJ [ETX]	[STX] HEm [ETX]	Queries the setting for the operation that is to be established when the EJECT button is pressed.
[STX] QHL [ETX]	[STX] HRLm [ETX]	Queries the lock mode setting for operations during recording.
[STX] QHR:H [ETX]	[STX] HTRdata [ETX]	Queries the remaining tape amount.
[STX] QHT [ETX]	[STX] HREm [ETX]	Queries the setting for the operation mode that is to be established (during recording) at the tape-end position.
[STX] QIC [ETX]	[STX] 1 [ETX]	Queries the product area identification code.
[STX] QID [ETX]	[STX] data [ETX]	Queries the ID code of the unit.

● Query control commands

Data transmitted by PC	Data returned from unit in response	Description of command
[STX] QIP:n [ETX]	[STX] LIPn:data1:data2:t [ETX]	Queries the internal timer recording setting.
[STX] QIR [ETX]	[STX] LUImdata [ETX]	Queries the user ID of the playback tape.
[STX] QIW [ETX]	[STX] LIWabcdefgh:ijklmnop [ETX]	Queries the settings of the weekly timer and daily timer.
[STX] QLA:m [ETX]	[STX] LAMn [ETX]	Queries the setting for the operation mode that is to be established when an alarm signal has been input at the tape-end position and for the duration of the alarm recording and/or sensor recording.
[STX] QMS [ETX]	[STX] LMSm [ETX]	Queries the setting of the timing at which the video signals which are supplied from the camera and which are to be output from the rear panel VIDEO OUT connector are to be switched.
[STX] QLD:n [ETX]	[STX] LANnn:data1:data2 [ETX]	Queries the ALARM RECALL data.
[STX] QLE [ETX]	[STX] LRIm [ETX]	Queries the setting for alarm recording or sensor recording if an alarm signal has been input while repeat recording is underway or while the tape is being rewound.
[STX] QLH [ETX]	[STX] LHRhhh [ETX]	Queries the current value of the hour meter.
[STX] QLM [ETX]	[STX] LRMm [ETX]	Queries the timer recording mode setting.
[STX] QLP:n [ETX]	[STX] LPLnn:data1:data2 [ETX]	Queries the POWER LOSS MEMORY data.
[STX] QLT [ETX]	[STX] LTMm [ETX]	Queries the setting of the recording/playback time mode.
[STX] QLZ [ETX]	[STX] LBZm [ETX]	Queries the setting of the buzzer operation during alarm recording or sensor recording.
[STX] QMA [ETX]	[STX] LMAm [ETX]	Queries the search mode.
[STX] QMP [ETX]	[STX] LMPp:c0c1c2c3 [ETX]	Queries the settings for switching the screen display (4-in-1 or 1-screen display) and for the camera numbers.
[STX] QNL [ETX]	[STX] LLLm [ETX]	Queries the synchronization system setting for the cameras to be connected.
[STX] QNR [ETX]	[STX] VNRm [ETX]	Queries the setting of the video signals which are to be output to the monitor screen in all modes except for the recording mode.
[STX] QOP [ETX]	[STX] data [ETX]	Queries the unit's operation mode.
[STX] QOR [ETX]	[STX] ORm [ETX]	Queries the results yielded by performing REC REVIEW.
[STX] QOS [ETX]	[STX] OPSdata [ETX]	Queries the operation modes.
[STX] QPB:m [ETX]	[STX] LPBm:r:data [ETX]	Queries playback tape information.
[STX] QRA [ETX]	[STX] RAM [ETX]	Queries the ACK (acknowledge) code response setting.
[STX] QRE [ETX]	[STX] LRBm [ETX]	Queries the setting of the buzzer operation in the event that the unit is kept in the stop mode for a prolonged period of time.
[STX] QRF [ETX]	[STX] LNRf:p:t [ETX]	Queries the settings of the recording mode, picture quality and recording type.

• Query control commands

Data transmitted by PC	Data returned from unit in response	Description of command
[STX] QRR [ETX]	[STX] LRRm [ETX]	Queries the REC REVIEW setting.
[STX] QRS [ETX]	[STX] RSEm [ETX]	Queries the search end mode setting.
[STX] QRV:m [ETX]	[STX] VERdata [ETX]	Queries the software version.
[STX] QSQ [ETX]	[STX] LSQm:t [ETX]	Queries the camera number and sequence mode settings.
[STX] QST [ETX]	[STX] LSTdata1:data2 [ETX]	Queries the start date/time and end date/time settings for daylight saving time.
[STX] QSU [ETX]	[STX] LSUM [ETX]	Queries the ON/OFF setting for daylight saving time.
[STX] QTA [ETX]	[STX] TATmm:S [ETX]	Queries the setting for the time to be set when signals have been input from the component connected to TIME ADJ IN on the rear panel terminal section.
[STX] QTC [ETX]	[STX] TTSdata [ETX]	Queries the current time setting.
[STX] QTL [ETX]	[STX] TCSdata [ETX]	Queries the current date setting.
[STX] QTR [ETX]	[STX] HTRm:b [ETX]	Queries the setting for warnings when the tape-end position is about to be reached.
[STX] QTY:n [ETX]	[STX] LTYn:t:abcdefgh [ETX]	Queries the combination setting of the recording time mode and number of cameras.
[STX] QUI [ETX]	[STX] LUISdata [ETX]	Queries the recording user ID setting.
[STX] QVC [ETX]	[STX] VVCm:data [ETX]	Queries the results of searching for video signal input.
[STX] QVM [ETX]	[STX] VMDm [ETX]	Queries the color setting of the video output signals.
[STX] QWB [ETX]	[STX] LWBm [ETX]	Queries the buzzer setting in the auto OFF mode.
[STX] QXT [ETX]	[STX] LXTm [ETX]	Queries the setting for acknowledging the input of the external timer signal.

■ Communication control commands

Data transmitted by PC	Data returned from unit in response	Description of command
[STX] RAF [ETX]	[STX] RAF [ETX]	Disables the return of the ACK (acknowledge) code. <Note> This command is not acknowledged while a search control command is being processed.
[STX] RAN [ETX]	[STX] RAN [ETX]	Enables the return of the ACK (acknowledge) code. <Note> This command is not acknowledged while a search control command is being processed.
[STX] RCK [ETX]	[STX] RCK [ETX]	Checks whether communication has been established. <Note> This command is not acknowledged while a search control command is being processed.
[STX] RSE:m [ETX] Parameter m = 0: Normal 1: No command when search is completed 2: No command when search is completed/when error is discovered	[STX] RSE [ETX]	Sets the timing at which the search completion command is to be sent and sets the enabling/disabling of the transmission. <ul style="list-style-type: none"> ● When “normal” is selected When search is started: ACK code is returned. When search is completed: [STX]□□□[ETX] is returned. When search is suspended: [STX]ER□□□[ETX] is returned. ● When “no command when search is completed” is selected When search is started: [STX]□□□[ETX] is returned after ACK is returned. When search is completed: No return When search is suspended: [STX]ER□□□[ETX] is returned. ● When “no command when search is completed/when error is discovered” is selected When search is started: [STX]□□□[ETX] is returned after ACK is returned. When search is completed: No return When search is suspended: No return <Note> This command is not acknowledged while a search control command is being processed.

■ Counter control command

Data transmitted by PC	Data returned from unit in response	Description of command
<p>[STX] CCP:data [ETX]</p> <p>Parameter data = ghmmssff g = Blank : With a positive (+) value – sign : With a negative (–) value h = 0—9 : Hours (12-hour system) mm = 00—59 : Minutes ss = 00—59 : Seconds ff = 00—29 : Frames</p>	[STX] CCP [ETX]	<p>Presets a designated counter value on the CTL counter.</p> <p><Note> This command is not acknowledged while a search control command is being processed or while a tape is being ejected.</p>
<p>[STX] CLP:data [ETX]</p> <p>Parameter data = ghmmssff g = Blank : With a positive (+) value – sign : With a negative (–) value h = 0—9 : Hours (12-hour system) mm = 00—59 : Minutes ss = 00—59 : Seconds ff = 00—29 : Frames</p>	[STX] CLP [ETX]	<p>Presets a designated counter value on the CTL counter.</p> <p><Note> This command is not acknowledged while a search control command is being processed or while a tape is being ejected.</p>
[STX] CRT [ETX]	[STX] CRT [ETX]	<p>Resets the CTL counter data.</p> <p><Note> This command is not acknowledged while a search control command is being processed.</p>

■ Display control commands

Data transmitted by PC	Data returned from unit in response	Description of command
[STX] DBB [ETX]	[STX] DBB [ETX]	Sets black as the color of the characters displayed on the monitor screen. <Note> This command is not acknowledged while a search control command is being processed.
[STX] DBW [ETX]	[STX] DBW [ETX]	Sets white as the color of the characters displayed on the monitor screen. <Note> This command is not acknowledged while a search control command is being processed.
[STX] DDS:d:t:m:r [ETX] Parameter d = N or F (date) t = N or F (time) m = N or F (recording time mode) r = N or F (REC/ALARM) N: ON (displayed) F: OFF (not displayed)	[STX] DDS [ETX]	Sets the display items on the monitor screen. <Note> This command is not acknowledged while a search control command is being processed.
[STX] DFC:m [ETX] Parameter m = C: (COUNT) counter display I: (TIME) clock display M: (CAMERA) camera number display P: (PASS) pass display	[STX] DFC [ETX]	Sets the display mode of the display tube. <Note> This command is not acknowledged while a search control command is being processed.
[STX] DMS:d:m:n [ETX] Parameter d = T (fixed) m = M: AM/PM display H: 24-hour display n = 0—9: VTR ID No. This unit does not have a function for displaying the VTR ID No. so any number between 0 and 9 may be sent.	[STX] DMS [ETX]	Sets the time display mode (12-hour or 24-hour system). <Note> This command is not acknowledged while a search control command is being processed.
[STX] DPP:mm [ETX] Parameter mm = C: Center LB: Bottom left LT: Top left RB: Bottom right RT: Top right	[STX] DPP [ETX]	Sets the position where the characters are to be displayed on the monitor screen. <Note> This command is not acknowledged while a search control command is being processed.

Media operation control commands

Data transmitted by PC	Data returned from unit in response	Description of command
[STX] HEA [ETX]	[STX] HEA [ETX]	Sets the operation that is to take place when the EJECT button is pressed to REW → EJECT (tape is ejected after it has been rewound to its start position). <Note> This command is not acknowledged while a search control command is being processed.
[STX] HEE [ETX]	[STX] HEE [ETX]	Sets the operation that is to take place when the EJECT button is pressed to EJECT. <Note> This command is not acknowledged while a search control command is being processed.
[STX] HRE:m [ETX] Parameter m = B: BUZZER E: EJECT P: REPEAT R: REWIND S: STOP	[STX] HRE [ETX]	Sets the unit's operation mode that is to be established when the tape-end is reached during recording. <Note> This command is not acknowledged while a search control command is being processed.
[STX] HRL:m [ETX] Parameter m = F: Recording enabled N: Recording disabled	[STX] HRL [ETX]	Sets the lock mode for operation during recording.
[STX] HTI:m [ETX] Parameter m = A: REWIND → REC R: REC S: STOP	[STX] HTI [ETX]	Sets the unit's operation mode that is to be established when the tape has been inserted. <Note> This command is not acknowledged while a search control command is being processed.
[STX] HTR:m:b [ETX] Parameter m = 0: 2% of tape remaining 1: 10% of tape remaining 2: 20% of tape remaining 3: 30% of tape remaining F: (OFF) no warning b = N: Warning is sounded by buzzer. F: (OFF) warning is not sounded by buzzer.	[STX] HTR [ETX]	Sets the remaining tape amount for which REMAIN is to flash on the display tube as a warning display, and sets the buzzer to sound when the tape-end position is about to be reached. (When a 120-minute tape is used)

■ Operation control commands

Data transmitted by PC	Data returned from unit in response	Description of command
[STX] OAC [ETX]	[STX] OAC [ETX]	Releases the alarm signal input.
[STX] OAF [ETX]	[STX] OAF [ETX]	Advances the tape frame by frame in the forward direction.
[STX] OAI:n [ETX] Parameter n = 1: ALARM IN 1 2: ALARM IN 2 No parameter: ALARM IN 1	[STX] OAI [ETX]	Inputs the alarm signal.
[STX] OAR [ETX]	[STX] OAR [ETX]	Advances the tape frame by frame in the reverse direction.
[STX] OEJ [ETX]	[STX] OEJ [ETX]	Ejects the cassette tape.
[STX] OFF [ETX]	[STX] OFF [ETX]	Fast forwards the tape.
[STX] OPA [ETX]	[STX] OPA [ETX]	Sets the unit to the pause mode (REC PAUSE or PLAY PAUSE) or pause release mode (REC or PLAY).
[STX] OPL [ETX]	[STX] OPL [ETX]	Plays back the tape.
[STX] OPR [ETX]	[STX] OPR [ETX]	Plays back the tape in the reverse direction.
[STX] ORC [ETX]	[STX] ORC [ETX]	Sets the unit to the recording mode. When the unit is set to REC INHIBIT, error code ERE is returned from the unit.
[STX] ORR [ETX]	[STX] ORR [ETX]	Performs REC REVIEW.
[STX] ORW [ETX]	[STX] ORW [ETX]	Rewinds the tape.
[STX] OSF:n [ETX] Parameter n = 1: 1× normal speed 4: 4× normal speed 7: 7× normal speed	[STX] OSF [ETX]	Sets the tape playback speed in the forward direction.
[STX] OSP [ETX]	[STX] OSP [ETX]	Sets the unit to the stop mode.
[STX] OSR:n [ETX] Parameter n = 1: 1× normal speed 4: 4× normal speed 7: 7× normal speed	[STX] OSR [ETX]	Sets the tape playback speed in the reverse direction.

<Note>

Refer to the RS-232C mode transition table (page 101) for the conditions under which the operation control commands are acknowledged.

■ Power control commands

Data transmitted by PC	Data returned from unit in response	Description of command
[STX] POF [ETX]	[STX] POF [ETX]	Sets the POWER switch to OFF.
[STX] PON [ETX]	[STX] PON [ETX]	Sets the POWER switch to ON.

■ Search control commands

Data transmitted by PC	Data returned from unit in response	Description of command
<p>[STX] SAS:data [ETX]</p> <p>Parameter data = nn:d nn = 0—9: Alarm number d = F: Forward direction N: Reverse direction</p>	<p>[STX] SAS [ETX]</p>	<p>Searches the alarm number designated by the parameter in the direction designated by the parameter. The unit is set to STILL mode upon completion of the search.</p> <p>If the designated position is an illegal position (that is, the target position does not exist), error code ERT is returned from the unit, and the STOP mode is established.</p> <p>If the OSP (STOP) command or OEJ (tape EJECT) command is assigned during operation, error code ERI is returned from the unit.</p> <p>If the unit's operation mode has been changed by an operation at its front panel, error code ERF is returned from the unit.</p> <p>If the tape reaches its start or end during operation, error code ERP is returned from the unit.</p> <p>When data differing from the reference data has been sent, error code ERE is returned from the unit.</p> <p><Note> This command is not acknowledged while a search control command is being processed or while one of the following modes is established.</p> <div style="border: 1px solid black; padding: 2px; width: fit-content;"> EJECT, REC, REC PAUSE, REC CHECK, POWER OFF </div>
<p>[STX] SCP:data [ETX]</p> <p>Parameter data = ghmmssff (CTL data referenced) g = Blank : With a positive (+) value - sign : With a negative (-) value h = 0—9: Hours mm = 00—59: Minutes ss = 00—59: Seconds ff = 00 (fixed): Frames</p>	<p>[STX] SCP [ETX]</p>	<p>Searches the counter value designated by the parameter. Playback is started upon completion of the search.</p> <p>If the designated position is an illegal position (that is, the target position does not exist), error code ERT is returned from the unit, and the STOP mode is established.</p> <p>If the OSP (STOP) command or OEJ (tape EJECT) command is assigned during operation, error code ERI is returned from the unit.</p> <p>If the unit's operation mode has been changed by an operation at its front panel, error code ERF is returned from the unit.</p> <p>If the tape reaches its start or end during operation, error code ERP is returned from the unit.</p> <p>When data differing from the reference data has been sent, error code ERE is returned from the unit.</p> <p><Note> This command is not acknowledged while a search control command is being processed or while one of the following modes is established.</p> <div style="border: 1px solid black; padding: 2px; width: fit-content;"> EJECT, REC, REC PAUSE, REC CHECK, POWER OFF </div>

■ Search control commands

Data transmitted by PC	Data returned from unit in response	Description of command
<p>[STX] SCS:data [ETX]</p> <p>Parameter data = ghmmssff (CTL data referenced) g = Blank : With a positive (+) value – sign : With a negative (–) value h = 0—9 : Hours mm = 00—59 : Minutes ss = 00—59 : Seconds ff = 00 (fixed): Frames</p>	<p>[STX] SCS [ETX]</p>	<p>Searches the counter value designated by the parameter. The unit is set to STILL mode upon completion of the search.</p> <p>If the designated position is an illegal position (that is, the target position does not exist), error code ERT is returned from the unit, and the STOP mode is established.</p> <p>If the OSP (STOP) command or OEJ (tape EJECT) command is assigned during operation, error code ERI is returned from the unit.</p> <p>If the unit's operation mode has been changed by an operation at its front panel, error code ERF is returned from the unit.</p> <p>If the tape reaches its start or end during operation, error code ERP is returned from the unit.</p> <p>When data differing from the reference data has been sent, error code ERE is returned from the unit.</p> <p><Note> This command is not acknowledged while a search control command is being processed or while one of the following modes is established.</p> <div style="border: 1px solid black; padding: 2px; width: fit-content;"> EJECT, REC, REC PAUSE, REC CHECK, POWER OFF </div>
<p>[STX] SPT:data [ETX]</p> <p>Parameter data = ghmmssff (CTL data referenced) g = Blank : With a positive (+) value – sign : With a negative (–) value h = 0—9 : Hours mm = 00—59 : Minutes ss = 00—59 : Seconds ff = 00—29 : Frames</p>	<p>[STX] SPT [ETX]</p>	<p>Searches up to the position designated by the parameter. The unit is placed in the STILL mode upon completion of the playback.</p> <p>If the designated position is before the current position, the STILL mode is established without playing back the tape.</p> <p>If the OSP (STOP) command or OEJ (tape EJECT) command is assigned during operation, error code ERI is returned from the unit.</p> <p>If the unit's operation mode has been changed by an operation at its front panel, error code ERF is returned from the unit.</p> <p>If the tape reaches its start or end during operation, error code ERP is returned from the unit.</p> <p>When data differing from the reference data has been sent, error code ERE is returned from the unit.</p> <p><Note> This command is not acknowledged while a search control command is being processed or while one of the following modes is established.</p> <div style="border: 1px solid black; padding: 2px; width: fit-content;"> EJECT, REC, REC PAUSE, REC CHECK, POWER OFF </div>

■ Search control commands

Data transmitted by PC	Data returned from unit in response	Description of command
<p>[STX] STS:data [ETX]</p> <p>Parameter</p> <p>data = mmddhht:d</p> <p>mm = 01—12: Month</p> <p>dd = 01—31: Day</p> <p>hh = 00—23: Hours</p> <p>tt = 00—59: Minutes</p> <p>d = F : Forward direction</p> <p> N : Reverse direction</p>	<p>[STX] STS [ETX]</p>	<p>Searches the date and time designated by the parameter in the direction designated by the parameter.</p> <p>The unit is set to STILL mode upon completion of the search.</p> <p>If the designated position is an illegal position (that is, the target position does not exist), error code ERT is returned from the unit, and the STOP mode is established.</p> <p>If the OSP (STOP) command or OEJ (tape EJECT) command is assigned during operation, error code ERI is returned from the unit.</p> <p>If the unit's operation mode has been changed by an operation at its front panel, error code ERF is returned from the unit.</p> <p>If the tape reaches its start or end during operation, error code ERP is returned from the unit.</p> <p>When data differing from the reference data has been sent, error code ERE is returned from the unit.</p> <p><Note></p> <p>This command is not acknowledged while a search control command is being processed or while one of the following modes is established.</p> <div style="border: 1px solid black; padding: 2px; width: fit-content;"> <p>EJECT, REC, REC PAUSE, REC CHECK, POWER OFF</p> </div>

■ Timer control commands

These commands are not acknowledged while a search control command is being processed.

Data transmitted by PC	Data returned from unit in response	Description of command
<p>[STX] TAT:data [ETX]</p> <p>Parameter data = mm:n mm = 00—23 : Digit(s) of the hour to be set FF : Sets the digits for the minutes to 00. n = S (fixed)</p>	[STX] TAT [ETX]	Sets the time to be set when signals have been input from the component connected to TIME ADJ IN on the rear panel terminal section.
<p>[STX] TCS:data [ETX]</p> <p>Parameter data = yyyyymmdd yyyy = 2000—2099: Gregorian calendar mm = 01—12: Month dd = 01—31: Day</p>	[STX] TCS [ETX]	Sets the current date. When a day which does not exist for the month or due to a leap year has been set, error code ERE is returned from the unit.
<p>[STX] TTS:data [ETX]</p> <p>Parameter data = hhmmss hh = 00—23: Hours (24-hour system) mm = 00—59: Minutes ss = 00—59: Seconds</p>	[STX] TTS [ETX]	Sets the current time.

■ Video control command

These commands are not acknowledged while a search control command is being processed.

Data transmitted by PC	Data returned from unit in response	Description of command
[STX] VMD:m [ETX] Parameter m = A: AUTO Color and monochrome are switched automatically in accordance with the input signals. B: B/W Monochrome is forcibly set.	[STX] VMD [ETX]	Sets the color of the video output signals.
[STX] VNR:m [ETX] Parameter m = C: CAMERA Video signals supplied from the cameras B: BLUE BACK Blue background signals	[STX] VNR [ETX]	Sets the video signals (video signals from the camera and blue background signal) to be output to the monitor screen in all modes except the recording mode.
[STX] VVC [ETX]	[STX] VVC [ETX]	Switches the cameras in sequence to detect whether video signals are input to CAMERA IN connectors [1] through [16]. Signals cannot be detected when the POWER switch is at OFF. The detection results are checked using the QVC command.

■ Time lapse control commands

These commands are not acknowledged while a search control command is being processed.

Data transmitted by PC	Data returned from unit in response	Description of command
<p>[STX] LAD:m [ETX]</p> <p>Parameter m = 0: 30 seconds 1: 1 minute 2: 1 minute and 30 seconds 3: 2 minutes 4: 3 minutes 5: 6 minutes 6: 10 minutes 7: CONTINUE: Recording continues until the tape-end. 8: MANUAL: Recording only while an alarm signal is input.</p>	[STX] LAD [ETX]	Sets the time during which alarm recording or sensor recording is to be performed.
<p>[STX] LAI:m [ETX]</p> <p>Parameter m = S: STOP Stop mode established at tape-end position. C: CONTINUE Alarm signal input is ignored.</p>	[STX] LAI [ETX]	Sets the operation mode that is to be established when an alarm signal has been input at the tape-end position.
[STX] LAR [ETX]	[STX] LAR [ETX]	Deletes the ALARM RECALL data.
<p>[STX] LBM:m [ETX]</p> <p>Parameter m = N: ON Output of the black burst signal. F: OFF No output of the black burst signal.</p>	[STX] LBM [ETX]	Sets the processing to be performed for the black burst signal when the video signals to be output from the video signal output connectors are switched.
<p>[STX] LBP:m [ETX]</p> <p>Parameter m = *: Video signals of all the cameras are output. 0: Camera 1 1: Camera 2 2: Camera 3 3: Camera 4 4: Camera 5 5: Camera 6 6: Camera 7 7: Camera 8 8: Camera 9 9: Camera 10 A: Camera 11 B: Camera 12 C: Camera 13 D: Camera 14 E: Camera 15 F: Camera 16</p>	[STX] LBP [ETX]	Prevents the video signals of the camera designated by the parameter from being output from the VIDEO OUT connector.

■ Time lapse control commands

These commands are not acknowledged while a search control command is being processed.

Data transmitted by PC	Data returned from unit in response	Description of command
<p>[STX] LBR:m [ETX]</p> <p>Parameter m = N: Buzzer ON F: Buzzer OFF</p>	[STX] LBR [ETX]	Sets whether the buzzer is to sound when REC REVIEW reveals that the proper video level was not maintained.
<p>[STX] LBZ:m [ETX]</p> <p>Parameter m = N: Buzzer ON F: Buzzer OFF</p>	[STX] LBZ [ETX]	Sets whether the buzzer is to sound during alarm recording and sensor recording.
<p>[STX] LMS:m [ETX]</p> <p>Parameter m = 0: 1 second 1: 1.5 seconds 2: 2 seconds 3: 2.5 seconds 4: 3 seconds 5: 4 seconds 6: 5 seconds 7: 10 seconds</p>	[STX] LMS [ETX]	Sets the timing at which to switch the video signals which are supplied from the camera and which are to be output from the rear panel VIDEO OUT connector.
<p>[STX] LDA:m [ETX]</p> <p>Parameter m = C: CONTINUE Control signals continue to be output even after recording. A: ALARM REC Control signals are output only during alarm recording and sensor recording.</p>	[STX] LDA [ETX]	Sets how the control signals are to be output to the component connected to ALARM OUT on the rear panel terminal section when alarm recording or sensor recording is performed.
<p>[STX] LDF:m [ETX]</p> <p>Parameter m = I: Field recording R: Frame recording</p>	[STX] LDF [ETX]	Sets whether field recording or frame recording is to be performed for alarm recording and sensor recording.
<p>[STX] LDM:m [ETX]</p> <p>Parameter m = F: OFF Alarm signal input is ignored. M: ALARM/SENSOR Alarm recording or sensor recording is performed. A: ALARM Alarm recording is performed. S: SENSOR Sensor recording is performed.</p>	[STX] LDM [ETX]	Sets what recording is to be performed when an alarm signal has been input.

■ Time lapse control commands

These commands are not acknowledged while a search control command is being processed.

Data transmitted by PC	Data returned from unit in response	Description of command
[STX] LDO:data1:data2 [ETX] Parameter data1 = hhmm (start time) data2 = hhmm (end time) hh = 00—23: Hours (24-hour system) mm = 00—59: Minutes	[STX] LDO [ETX]	Sets the start time (START) and end time (END) at which the control signals are to be output to the component connected to EXT TIMER OUT on the rear panel terminal section. <Note> The control signals are not output when the same time has been set for both the START and END times.
[STX] LDP:m [ETX] Parameter m = H: HIGH Recording at a high picture quality N: NORMAL Recording at the standard picture quality F: NO CHANGE Recording at the currently set picture quality	[STX] LDP [ETX]	For setting the picture quality with which to perform alarm recording and/or sensor recording.
[STX] LDS:m [ETX] Parameter m = I: Field playback R: Frame playback	[STX] LDS [ETX]	For selecting field playback or frame playback for still-picture playback.
[STX] LDT:m:n [ETX] Parameter m = 0—7: Recording type of ALARM IN 1 n = 0—7: Recording type of ALARM IN 2	[STX] LDT [ETX]	For setting the recording type to be used if an alarm signal has been input to ALARM IN 1 or 2.
[STX] LDW:m [ETX] Parameter m = W: WARNING Control signals continue to be output. R: REC Control signals are output only during recording.	[STX] LDW [ETX]	Sets how the control signals are to be output to the component connected to WARNING/REC OUT on the rear panel terminal section when a problem has occurred in the unit.
[STX] LDX:m [ETX] Parameter m = V: VIDEO OUT Video signal output connector E: EXT SW IN External sequential switcher signal input connector	[STX] LDX [ETX]	Switches the function of the rear panel EXT SW IN/VIDEO OUT connector.

■ Time lapse control commands

These commands are not acknowledged while a search control command is being processed.

Data transmitted by PC	Data returned from unit in response	Description of command
<p>[STX] LFS:nn:mmd:d:p [ETX]</p> <p>Parameter</p> <p>nn = 00: Free-set timer is not set. 01—12: Free-set timer number</p> <p>mm = 01—12: Month</p> <p>dd = 01—31: Day</p> <p>p = 0: Sunday 1: Monday 2: Tuesday 3: Wednesday 4: Thursday 5: Friday 6: Saturday F: Power OFF throughout the day</p>	<p>[STX] LFS [ETX]</p>	<p>Sets the free-set timer.</p> <p>When a day which does not exist for the month has been set, error code ERT is returned from the unit.</p>
<p>[STX] LIP:n:data1:data2:t [ETX]</p> <p>Parameter</p> <p>n = 1—8: Program registration number (PGM1—PGM8)</p> <p>data1 = hhmm (start time)</p> <p>data2 = hhmm (end time)</p> <p>hh = 00—23: Hours (24-hour system)</p> <p>mm = 00—59: Minutes</p> <p>t = 0—6: Recording type (RT0—RT6)</p>	<p>[STX] LIP [ETX]</p>	<p>Combines and registers three items—the recording start time, recording end time and the recording type—as the program for recording to be performed using the unit's internal timer.</p>
<p>[STX] LIW:abcdefgh:ijklmnop [ETX]</p> <p>Parameter</p> <p>a—p = 1—8: Program registration number (PGM1—PGM8)</p> <p>F: Timer is not set.</p> <div style="border: 1px solid black; padding: 5px;"> <p>a = Program 1 on Sunday b = Program 1 on Monday c = Program 1 on Tuesday d = Program 1 on Wednesday e = Program 1 on Thursday f = Program 1 on Friday g = Program 1 on Saturday h = Daily program 1 i = Program 2 on Sunday j = Program 2 on Monday k = Program 2 on Tuesday l = Program 2 on Wednesday m = Program 2 on Thursday n = Program 2 on Friday o = Program 2 on Saturday p = Daily program 2</p> </div>	<p>[STX] LIW [ETX]</p>	<p>Sets the weekly timer and daily timer.</p>

■ Time lapse control commands

These commands are not acknowledged while a search control command is being processed.

Data transmitted by PC	Data returned from unit in response	Description of command				
<p>[STX] LLL:m [ETX]</p> <p>Parameter m = N: Line-lock type F: Internal sync and external sync type</p>	[STX] LLL [ETX]	<p>Sets the synchronization system of the camera/s connected.</p> <p><Notes></p> <ul style="list-style-type: none"> ● Use of the internal sync type of cameras is recommended. ● Select the ON setting when even one line-lock type of camera is used. 				
<p>[STX] LMA:m [ETX]</p> <p>Parameter m = F: Search mode OFF M: Memory stop mode A: Alarm search mode</p>	[STX] LMA [ETX]	Switches the search mode.				
<p>[STX] LMP:p:n [ETX]</p> <p>Parameter p = S: 1-screen display 0: 4-in-1 screen display; Selected screen No.0 1: 4-in-1 screen display; Selected screen No.1 2: 4-in-1 screen display; Selected screen No.2 3: 4-in-1 screen display; Selected screen No.3</p> <table border="1" style="margin-left: 40px;"> <tr> <td style="text-align: center; width: 30px;">0</td> <td style="text-align: center; width: 30px;">1</td> </tr> <tr> <td style="text-align: center;">2</td> <td style="text-align: center;">3</td> </tr> </table> <p>n = *: Camera No. is not changed. 0—F: Camera No.1 to 16; Camera number is designated for the screen No. selected by parameter p.</p>	0	1	2	3	[STX] LMP [ETX]	Switches the screen display (4-in-1 or 1-screen display) and sets the camera numbers.
0	1					
2	3					
<p>[STX] LNR:f:p:t [ETX]</p> <p>Parameter f = I: Field recording R: Frame recording</p> <p>p = H: HIGH Recording at a high picture quality N: NORMAL Recording at the standard picture quality</p> <p>t = 0—7: Recording type (RT0—7)</p>	[STX] LNR [ETX]	Sets the recording mode, picture quality and recording type.				

■ Time lapse control commands

These commands are not acknowledged while a search control command is being processed.

Data transmitted by PC	Data returned from unit in response	Description of command
[STX] LRB:m [ETX] Parameter m = F: Buzzer OFF 0: 5 minutes 1: 10 minutes 2: 20 minutes 3: 30 minutes	[STX] LRB [ETX]	Sets the buzzer to sound a warning in the event that the unit has been kept in the stop mode for the time designated by the parameter.
[STX] LRI:m [ETX] Parameter m = A: Alarm signal input is acknowledged. F: Alarm signal input is ignored.	[STX] LRI [ETX]	Sets whether alarm recording or sensor recording is to be performed if an alarm signal has been input while repeat recording is underway or while the tape is being rewound.
[STX] LRM:m [ETX] Parameter m = E: External timer recording I: Internal timer recording N: Regular recording	[STX] LRM [ETX]	Sets the timer recording mode.
[STX] LRR:m [ETX] Parameter m = N: REC REVIEW is performed automatically. F: REC REVIEW OFF	[STX] LRR [ETX]	Sets REC REVIEW. This function plays back the recording after recording for a specific time to detect whether the proper video level is being maintained during recording.
[STX] LSQ:m:t [ETX] Parameter m = 0—F: Camera No.1—16 t = A: Auto sequence mode M: Manual sequence mode	[STX] LSQ [ETX]	Selects the camera number and sequence mode.
[STX] LST:data1:data2 [ETX] Parameter data1 = ndmmtt (start date/time) data2 = ndmmtt (end date/time) n = 1: 1st week 2: 2nd week 3: 3rd week 4: 4th week L: Last week d = 0: Sunday 1: Monday 2: Tuesday 3: Wednesday 4: Thursday 5: Friday 6: Saturday mm = 01—12: Month tt = 01—22: Hours	[STX] LST [ETX]	Sets the start date/time and end date/time settings for daylight saving time.

■ Time lapse control commands

These commands are not acknowledged while a search control command is being processed.

Data transmitted by PC	Data returned from unit in response	Description of command
<p>[STX] LSU:m [ETX]</p> <p>Parameter m = N: Daylight saving time setting ON F: Daylight saving time setting OFF</p>	<p>[STX] LSU [ETX]</p>	<p>Sets the daylight saving time setting to ON or OFF.</p>
<p>[STX] LTM:m [ETX]</p> <p>Parameter m = 0: 3-hour recording 1: 9-hour recording 2: 12-hour recording 3: 18-hour recording 4: 24-hour recording 5: 48-hour recording 6: 72-hour recording 7: 96-hour recording 8: 120-hour recording 9: 180-hour recording A: 240-hour recording B: 360-hour recording C: 480-hour recording D: 960-hour recording</p>	<p>[STX] LTM [ETX]</p>	<p>Sets the recording time mode.</p>

■ Time lapse control commands

These commands are not acknowledged while a search control command is being processed.

Data transmitted by PC	Data returned from unit in response	Description of command
<p>[STX] LTY:n:t:abcdefgh [ETX]</p> <p>Parameter n = 1—6: Recording type (RT1—6) t = 0: 3-hour recording 1: 9-hour recording 2: 12-hour recording 3: 18-hour recording 4: 24-hour recording 5: 48-hour recording 6: 72-hour recording 7: 96-hour recording 8: 120-hour recording 9: 180-hour recording A: 240-hour recording B: 360-hour recording C: 480-hour recording D: 960-hour recording F: OFF (setting of TIME MODE button is complied with) a = Y or N: for setting cameras No.1 and 2 b = Y or N: for setting cameras No.3 and 4 c = Y or N: for setting cameras No.5 and 6 d = Y or N: for setting cameras No.7 and 8 e = Y or N: for setting cameras No.9 and 10 f = Y or N: for setting cameras No.11 and 12 g = Y or N: for setting cameras No.13 and 14 h = Y or N: for setting cameras No.15 and 16 Y: Used N: Not used</p>	[STX] LTY [ETX]	Sets the combination of the recording time mode and number of cameras.
<p>[STX] LUI:data [ETX]</p> <p>Parameter data = U7U6U5U4U7U3U2U1U0</p> <p>An ASCII code is used to set the user ID to be written onto the tape. Binary 4BIT×8 ↓ ASCII code: 0—9, A—F</p>	[STX] LUI [ETX]	<p>Sets the user ID (max. 8 alphanumerics). By setting the user ID, it will be recorded onto the recording tape. <Note> The following 16 alphanumerics can be used. 0, 1, 2, 3, 4, 5, 6, 7, 8, 9, A, B, C, D, E, F</p>
<p>[STX] LWB:m [ETX]</p> <p>Parameter m = N: Buzzer ON F: Buzzer OFF</p>	[STX] LWB [ETX]	Sets whether the buzzer is to sound when a problem occurs in the unit and the power is automatically turned off.

■ Time lapse control commands

These commands are not acknowledged while a search control command is being processed.

Data transmitted by PC	Data returned from unit in response	Description of command
[STX] LWR [ETX]	[STX] LWR [ETX]	Deletes the POWER LOSS MEMORY data.
[STX] LXT:m [ETX] Parameter m = N: Signals are acknowledged. F: Signals are not acknowledged.	[STX] LXT [ETX]	Sets whether the signals from the external timer connected to the rear panel terminal section are to be acknowledged in the external timer recording mode.

■ Query control commands

Data transmitted by PC	Data returned from unit in response	Description of command
[STX] QAL [ETX]	[STX] ALV0 [ETX]	Queries the address level. It supports only address level 0 in the MIS standards.
<p>[STX] QAM:m [ETX]</p> <p>Parameter m = M: MODE Queries the recording mode when an alarm signal has been input.</p> <p>F: FIELD/FRAME Queries the recording mode in which alarm recording and/or sensor recording is to be performed.</p> <p>P: PICTURE QUALITY Queries the picture quality with which alarm recording and/or sensor recording is to be performed.</p> <p>T: ALARM 1/2 REC-TYPE Queries the recording type to be used when an alarm signal has been input to ALARM IN 1 or 2.</p>	<p>[STX] LDmdata [ETX]</p> <p>Parameter m = M: MODE</p> <div style="border: 1px solid black; padding: 5px; margin-bottom: 10px;"> data = F: OFF Alarm signal input is ignored. M: ALARM/SENSOR Alarm recording and/or sensor recording is performed. A: ALARM Alarm recording is performed. S: SENSOR Sensor recording is performed. </div> <p>m = F: FIELD/FRAME</p> <div style="border: 1px solid black; padding: 5px; margin-bottom: 10px;"> data = I: Field recording R: Frame recording </div> <p>m = P: PICTURE QUALITY</p> <div style="border: 1px solid black; padding: 5px; margin-bottom: 10px;"> data = H: HIGH Recording at a high picture quality N: NORMAL Recording at the standard picture quality F: NO CHANGE Recording at the picture quality currently set </div> <p>m = T: ALARM 1/2 REC-TYPE</p> <div style="border: 1px solid black; padding: 5px;"> data =m:n m = 0—7: ALARM IN 1 recording type n = 0—7: ALARM IN 2 recording type </div>	Queries the alarm recording and sensor recording settings.
[STX] QBM [ETX]	<p>[STX] LBMm [ETX]</p> <p>Parameter m = N: ON The black burst signal is output.</p> <p>F: OFF The black burst signal is not output.</p>	Queries the processing of the black burst signal when the video signals to be output from the video signal output connector are switched.

■ Query control commands

Data transmitted by PC	Data returned from unit in response	Description of command
[STX] QBP [ETX]	<p>[STX] LBPm [ETX]</p> <p>Parameter m = *: The video signals of all the cameras are output. 0: Camera 1 1: Camera 2 2: Camera 3 3: Camera 4 4: Camera 5 5: Camera 6 6: Camera 7 7: Camera 8 8: Camera 9 9: Camera 10 A: Camera 11 B: Camera 12 C: Camera 13 D: Camera 14 E: Camera 15 F: Camera 16</p>	Queries the camera whose video signals are not to be output to the VIDEO OUT connector.
[STX] QBR [ETX]	<p>[STX] LBRm [ETX]</p> <p>Parameter m = N: Buzzer ON F: Buzzer OFF</p>	Queries the setting for whether the buzzer is to sound when REC REVIEW reveals that the proper video level was not maintained.
[STX] QCC [ETX]	<p>[STX] CCPdata [ETX]</p> <p>Parameter data = ghmmssff g = Blank : With a positive (+) value – sign : With a negative (–) value h = 0–9: Hours (12-hour system) mm = 00–59 : Minutes ss = 00–59 : Seconds</p>	Queries the current CTL counter data (in 1-second increments).
[STX] QCD [ETX]	<p>[STX] CDdata [ETX]</p> <p>Parameter data = fwghmmssff f = F: Fine C: Coarse w = S: Search STILL P: Search PLAY g = Blank : With a positive (+) value – sign : With a negative (–) value h = 0–9: Hours (12-hour system) mm = 00–59 : Minutes ss = 00–59 : Seconds ff = 00 (fixed) : Frames</p>	Queries the current CTL counter data.

■ Query control commands

Data transmitted by PC	Data returned from unit in response	Description of command
[STX] QDA [ETX]	[STX] LDAm [ETX] Parameter m = C: CONTINUE The control signals continue to be output even after recording. A: ALARM REC The control signals are output only during alarm recording or sensor recording (or both).	Queries the setting for how the control signals are to be output to the component connected to ALARM OUT on the rear panel terminal section when alarm recording or sensor recording (or both) is performed.
[STX] QDB [ETX]	[STX] DBm [ETX] Parameter m = B: BLACK W: WHITE	Queries the colors of the characters which are to be displayed on the monitor screen.
[STX] QDD [ETX]	[STX] DDSd:t:m:r [ETX] Parameter d = N or F (date) t = N or F (time) m = N or F (recording time mode) r = N or F (REC/ALARM) N: ON (displayed) F: OFF (not displayed)	Queries the items which are to be displayed on the monitor screen.
[STX] QDF [ETX]	[STX] DFCm [ETX] Parameter m = C: (COUNT) counter display I: (TIME) clock display M: (CAMERA) camera number display P: (PASS) pass display	Queries the display mode of the display tube.
[STX] QDM [ETX]	[STX] DMSt:m:n [ETX] Parameter d = T (fixed) m = M: AM/PM display H: 24-hour display n = 0—9: VTR ID No. This unit does not have a function for displaying the VTR ID No. so any number (which is not determined) between 0 and 9 is returned.	Queries the time display mode (12-hour or 24-hour system).
[STX] QDO [ETX]	[STX] LDOdata1:data2 [ETX] Parameter data1 = hhmm (start time) data2 = hhmm (end time) hh = 00—23: Hours (24-hour system) mm = 00—59: Minutes	Queries the setting of the start and end times at which the control signals are to be output to the component connected to the EXT TIMER OUT terminal on the rear panel.

■ Query control commands

Data transmitted by PC	Data returned from unit in response	Description of command
[STX] QDP [ETX]	[STX] DPPmm [ETX] Parameter mm = C: Center LB: Bottom left LT: Top left RB: Bottom right RT: Top right	Queries the position where the characters are to be displayed on the monitor screen.
[STX] QDS [ETX]	[STX] LDSm [ETX] Parameter m = I: Field playback R: Frame playback	Queries whether field playback or frame playback is to be initiated when still-picture playback is performed.
[STX] QDW [ETX]	[STX] LDWm [ETX] Parameter m = W: WARNING The control signals continue to be output. R: REC The control signals are output only during recording.	Queries the setting for how the control signals are to be output to the component connected to WARNING/REC OUT on the rear panel terminal section when a problem has occurred in the unit.
[STX] QDX [ETX]	[STX] LDXm [ETX] Parameter m = V: VIDEO OUT Video signal output connector E: EXT SW IN External sequential switcher signal input connector	Queries the function of the EXT SW IN/VIDEO OUT connector on the rear panel.
[STX] QFS:nn [ETX] Parameter nn = 01—12: Free-set timer number	[STX] LFSnn:mmdd:p [ETX] Parameter nn = 00: Free-set timer is not set. 01—12: Free-set timer number mm = 01—12: Month dd = 01—31: Day p = 0: Sunday 1: Monday 2: Tuesday 3: Wednesday 4: Thursday 5: Friday 6: Saturday F: Power OFF throughout the day	Queries the free-set timer setting.
[STX] QHI [ETX]	[STX] HTIm [ETX] Parameter m = A: REWIND → REC R: REC S: STOP	Queries the unit's operation mode that is to be established when the tape is inserted.

■ Query control commands

Data transmitted by PC	Data returned from unit in response	Description of command
[STX] QHJ [ETX]	[STX] HEm [ETX] Parameter m = E: EJECT A: REWIND → EJECT	Queries the setting for the operation to be performed when the EJECT button is pressed.
[STX] QHL [ETX]	[STX] HRLm [ETX] Parameter m = F: Recording enabled N: Recording disabled	Queries the lock mode for operations while recording is underway.
[STX] QHR:H [ETX]	[STX] HTRdata [ETX] Parameter data = hhmmss hh = 00—23: Hours mm = 00—59: Minutes ss = 00 (fixed): Seconds	Queries the remaining tape amount. When the amount is undetermined or the tape has been ejected, data = FFFFFFFF is returned. <Note> This command is valid when a 120-minute tape is used and the 3-hour recording mode has been set.
[STX] QHR:H [ETX]	[STX] HTRdata [ETX] Parameter data = hhmmss hh = 00—23: Hours mm = 00—59: Minutes ss = 00 (fixed): Seconds	Queries the remaining tape amount. When the amount is undetermined or the tape has been ejected, data = FFFFFFFF is returned. <Note> This command is valid when a 120-minute tape is used and the 3-hour recording mode has been set.
[STX] QHT [ETX]	[STX] HREm [ETX] Parameter m = B: BUZZER E: EJECT P: REPEAT R: REWIND S: STOP	Queries the unit's operation mode that is to be established when the tape has reached its end position during recording.
[STX] QIC [ETX]	[STX] 1 [ETX]	Queries the product area identification code. The unit returns "1" for a tape component.
[STX] QID [ETX]	[STX] data [ETX] Parameter data = AG-DTL1P	Queries the ID code of the unit.
[STX] QIP:n [ETX] Parameter n = 1—8: Program registration number (PGM1—PGM8)	[STX] LIPn:data1:data2:t [ETX] Parameter n = 1—8: Program registration number (PGM1—PGM8) data1 = hhmm (start time) data2 = hhmm (end time) hh = 00—23: Hours (24-hour system) mm = 00—59: Minutes t = 0—6: Recording type (RT0—RT6)	Queries the program which combines three items—the recording start time, recording end time and the recording type—for recording using the unit's internal timer.

■ Query control commands

Data transmitted by PC	Data returned from unit in response	Description of command
[STX] QIR [ETX]	<p>[STX] LUImdata [ETX]</p> <p>Parameter m = R: READ OK E: READ NG</p> <p>data = U7U6U5U4U7U3U2U1U0</p> <p>The user ID is returned as an 8-character ASCII code. Binary 4BIT×8 ↓ ASCII code: 0—9, A—F</p>	Queries the user ID recorded on the playback tape.
[STX] QIW [ETX]	<p>[STX] LIWabcdefgh:ijklmnop [ETX]</p> <p>Parameter a—p = 1—8: Program registration number (PGM1—PGM8) F: Timer is not set.</p> <div style="border: 1px solid black; padding: 5px;"> <p>a = Program 1 on Sunday b = Program 1 on Monday c = Program 1 on Tuesday d = Program 1 on Wednesday e = Program 1 on Thursday f = Program 1 on Friday g = Program 1 on Saturday h = Daily program 1 i = Program 2 on Sunday j = Program 2 on Monday k = Program 2 on Tuesday l = Program 2 on Wednesday m = Program 2 on Thursday n = Program 2 on Friday o = Program 2 on Saturday p = Daily program 2</p> </div>	Queries the weekly timer and daily timer setting.
<p>[STX] QLA:m [ETX]</p> <p>Parameter m = I: Operation mode D: Time setting</p>	<p>[STX] LAMn [ETX]</p> <p>Parameter m = I: Operation mode</p> <div style="border: 1px solid black; padding: 5px;"> <p>n = S: STOP Stop mode at tape-end position C: CONTINUE Alarm signal input is ignored.</p> </div> <p>m = D: Time setting</p> <div style="border: 1px solid black; padding: 5px;"> <p>n = 0: 30 seconds 1: 1 minute 2: 1 minute and 30 seconds 3: 2 minutes 4: 3 minutes 5: 6 minutes 6: 10 minutes 7: CONTINUE Recording continues until the tape-end. 8: MANUAL Recording is performed only while an alarm signal is input.</p> </div>	Queries the operation mode that is to be established when an alarm signal has been input at the tape-end position, and the duration of the alarm recording and/or sensor recording.

■ Query control commands

Data transmitted by PC	Data returned from unit in response	Description of command
[STX] QMS [ETX]	[STX] LMSm [ETX] Parameter m = 0: 1 second 1: 1.5 seconds 2: 2 seconds 3: 2.5 seconds 4: 3 seconds 5: 4 seconds 6: 5 seconds 7: 10 seconds	Queries the timing at which to switch the video signals which are supplied from the camera and which are to be output from the rear panel VIDEO OUT connector.
[STX] QLD:n [ETX] Parameter n = 0—7 Up to the last 8 sets of data are designated by this parameter with 0 serving as the latest data.	[STX] LANnn:data1:data2 [ETX] Parameter nn = 00—99: Alarm number data1 = yyyyymmdd yyyy = 2000—2099: Gregorian calendar mm: 01—12: Month dd = 01—31: Day data2 = hhmms hh = 00—23: Hours (24-hour system) mm = 00—59: Minutes ss = 00—59: Seconds	Queries the ALARM RECALL data.
[STX] QLE [ETX]	[STX] LRIm [ETX] Parameter m = A: Alarm signal input is acknowledged. F: Alarm signal input is ignored.	Queries the setting for the alarm recording and/or sensor recording to be performed if an alarm signal has been input while repeat recording is underway or while the tape is being rewound.
[STX] QLH [ETX]	[STX] LHRhhh [ETX] Parameter hhh = 0000—9999 The cumulative drum rotation time in hours is returned as a 4-digit figure.	Queries the current value of the hour meter.
[STX] QLM [ETX]	[STX] LRMm [ETX] Parameter m = E: External timer recording I: Internal timer recording N: Regular recording	Queries the timer recording mode setting.

■ Query control commands

Data transmitted by PC	Data returned from unit in response	Description of command
<p>[STX] QLP:n [ETX]</p> <p>Parameter n = 0—3</p> <p>Up to the last 4 sets of data are designated by this parameter with 0 serving as the latest data.</p>	<p>[STX] LPLnn:data1:data2 [ETX]</p> <p>Parameter nn = 00—99: Alarm number</p> <p>data1 = yyyyymmdd yyyy = 2000—2099: Gregorian calendar mm: 01—12: Month dd = 01—31: Day</p> <p>data2 = hhmmss hh = 00—23: Hours (24-hour system) mm = 00—59: Minutes ss = 00—59: Seconds</p>	<p>Queries the POWER LOSS MEMORY data.</p>
<p>[STX] QLT [ETX]</p>	<p>[STX] LTMm [ETX]</p> <p>Parameter t = 0: 3-hour recording 1: 9-hour recording 2: 12-hour recording 3: 18-hour recording 4: 24-hour recording 5: 48-hour recording 6: 72-hour recording 7: 96-hour recording 8: 120-hour recording 9: 180-hour recording A: 240-hour recording B: 360-hour recording C: 480-hour recording D: 960-hour recording</p>	<p>Queries the recording/playback time mode setting.</p>
<p>[STX] QLZ [ETX]</p>	<p>[STX] LBZm [ETX]</p> <p>Parameter m = N: Buzzer ON F: Buzzer OFF</p>	<p>Queries the setting of the buzzer operation during alarm recording and/or sensor recording.</p>
<p>[STX] QMA [ETX]</p>	<p>[STX] LMAm [ETX]</p> <p>Parameter m = F: Search mode OFF M: Memory stop mode A: Alarm search mode</p>	<p>Queries the search mode.</p>

■ Query control commands

Data transmitted by PC	Data returned from unit in response	Description of command				
[STX] QMP [ETX]	<p>[STX] LMPp:c0c1c2c3 [ETX]</p> <p>Parameter p = S: 1-screen display 0: 4-in-1 screen display; Selected screen No.0 1: 4-in-1 screen display; Selected screen No.1 2: 4-in-1 screen display; Selected screen No.2 3: 4-in-1 screen display; Selected screen No.3</p> <table border="1" data-bbox="618 617 776 737"> <tr> <td style="text-align: center; width: 30px;">0</td> <td style="text-align: center; width: 30px;">1</td> </tr> <tr> <td style="text-align: center;">2</td> <td style="text-align: center;">3</td> </tr> </table> <p>c₀ = 0—F: Camera numbers designated for selected screen No.0 c₁ = 0—F: Camera numbers designated for selected screen No.1 c₂ = 0—F: Camera numbers designated for selected screen No.2 c₃ = 0—F: Camera numbers designated for selected screen No.3</p>	0	1	2	3	Queries the settings for the screen display (4-in-1 or 1-screen display) and camera numbers.
0	1					
2	3					
[STX] QNL [ETX]	<p>[STX] LLLm [ETX]</p> <p>Parameter m = N: Line-lock type F: Internal sync and external sync type</p>	Queries the synchronization system of the camera connected.				
[STX] QNR [ETX]	<p>[STX] VNRm [ETX]</p> <p>Parameter m = C: CAMERA Video signals from camera B: BLUE BACK Blue background signals</p>	Queries the setting for the video signals to be output to the monitor screen in all modes except the recording mode.				

■ Query control commands

Data transmitted by PC	Data returned from unit in response	Description of command
[STX] QOP [ETX]	<p>[STX] data [ETX]</p> <p>data =</p> <p>LIT: INTERNAL TIEMER RECORDING</p> <p>OSP: STOP</p> <p>OEJ: EJECT</p> <p>OFF: FAST FORWARD</p> <p>ORW: REWIND</p> <p>OSF: FORWARD SEARCH</p> <p>OSR: REVERSE SEARCH</p> <p>OPL: FORWARD PLAY</p> <p>OPP: PLAY PAUSE</p> <p>OPR: REVERSE PLAY</p> <p>ORC: REC</p> <p>ORP: REC PAUSE</p> <p>ORR: REC REVIEW</p> <p>POF: POWER OFF</p> <p>SAS: ALARM RECALL PLAY</p> <p>SCS: COUNTER SEARCH (STILL)</p> <p>SCP: COUNTER SEARCH (PLAY)</p> <p>SPT: PLAY to</p>	<p>Queries the unit's operation mode.</p> <p>The unit's current status is detected, and the status command is returned.</p>
[STX] QOR [ETX]	<p>[STX] ORm [ETX]</p> <p>Parameter</p> <p>m = O: REC REVIEW OK</p> <p> N: REC REVIEW NG</p>	<p>Queries the results yielded by performing REC REVIEW.</p>
[STX] QOR [ETX]	<p>[STX] ORm [ETX]</p> <p>Parameter</p> <p>m = O: REC REVIEW OK</p> <p> N: REC REVIEW NG</p>	<p>Queries the results yielded by performing REC REVIEW.</p>
[STX] QOS [ETX]	<p>[STX] OPSdata [ETX]</p> <p>data = AD₀AD₁AD₂AD₃AD₄</p> <p><Note></p> <p>For details on AD*, refer to Bitmap table (A).</p>	<p>Queries the unit's operation modes.</p> <p>The unit's current status is detected and sent in the form of bitmap information.</p> <p>The unit converts this bitmap information into ASCII codes which it then returns.</p>

● Bitmap table (A)

ADDRESS	BIT7	BIT6	BIT5	BIT4	BIT3	BIT2	BIT1	BIT0
AD 0	0	0	0	0	0	0	0	0
AD 1	0	0	0	0	0	0	0	0
AD 2	REC INHIBIT TAB	CASSETTE IN/OUT	0	VTR STATUS				
AD 3	0	0	0	0	0	0	0	0
AD 4	0	0	0	0	0	0	0	0

VTR STATUS DATA

BIT4—BIT0	VTR STATUS	BIT4—BIT0	VTR STATUS
0, 1, 1, 1, 1	FORWARD SEARCH (7× normal speed)	0, 0, 1, 1, 1	PLAY PAUSE
0, 1, 1, 1, 0	REVERSE SEARCH (7× normal speed)	0, 0, 1, 1, 0	PLAY
0, 1, 1, 0, 1	FORWARD SEARCH (4× normal speed)	0, 0, 1, 0, 1	FORWARD SEARCH (1× normal speed)
0, 1, 1, 0, 0	REVERSE SEARCH (4× normal speed)	0, 0, 1, 0, 0	POWER OFF
0, 1, 0, 1, 1	REVERSE SEARCH (1× normal speed)	0, 0, 0, 1, 1	FAST FORWARD
0, 1, 0, 1, 0	REC REVIEW	0, 0, 0, 1, 0	REWIND
0, 1, 0, 0, 1	REC PAUSE	0, 0, 0, 0, 1	EJECT
0, 1, 0, 0, 0	RECORDING	0, 0, 0, 0, 0	STOP

■ Query control commands

Data transmitted by PC	Description of command
<p>[STX] QPB:m [ETX]</p> <p>Parameter</p> <p>m = D: Date information T: Time information C: Camera connection information R: Recording time mode information A: Alarm number information O: Monitor screen display information</p>	<p>Queries the playback tape information.</p>
<p>Data returned from unit in response</p>	
<p>[STX] LPBm:r:data [ETX]</p> <p>Parameter</p> <div style="display: flex; justify-content: space-between;"> <div style="width: 30%; border-right: 1px dashed black; padding-right: 10px;"> <p>m = D: Date information r = O: READ OK N: READ NG</p> <div style="border: 1px solid black; padding: 5px; margin-bottom: 10px;"> <p>data = yyyyymmdd yyyy = 2000—2099: Gregorian calendar mm = 01—12: Month dd = 01—31: Day</p> </div> <p>m = T: Time information r = O: READ OK N: READ NG</p> <div style="border: 1px solid black; padding: 5px; margin-bottom: 10px;"> <p>data = hhmmss hh = 00—23: Hours mm = 00—59: Minutes ss = 00—59: Seconds</p> </div> <p>m = C: Camera connection information r = O: READ OK N: READ NG</p> <div style="border: 1px solid black; padding: 5px;"> <p>data = C13-16C9-12C5-8C1-4 C13-16 = 1—F: Connection information for camera No.13—16 C9-12 = 1—F: Connection information for camera No.9—12 C5-8 = 1—F: Connection information for camera No.5—8 C1-4 = 1—F: Connection information for camera No.1—4</p> <p><Note> For details on C*, refer to the camera connection information table.</p> </div> </div> <div style="width: 30%; border-right: 1px dashed black; padding-right: 10px;"> <p>m = R: Recording time mode information r = O: READ OK N: READ NG</p> <div style="border: 1px solid black; padding: 5px; margin-bottom: 10px;"> <p>data = t t = 0: 3-hour recording 1: 9-hour recording 2: 12-hour recording 3: 18-hour recording 4: 24-hour recording 5: 48-hour recording 6: 72-hour recording 7: 96-hour recording 8: 120-hour recording 9: 180-hour recording A: 240-hour recording B: 360-hour recording C: 480-hour recording D: 960-hour recording</p> </div> <p>m = A: Alarm number information r = O: READ OK N: READ NG</p> <div style="border: 1px solid black; padding: 5px;"> <p>data = nn nn = 00—99: Alarm number FF: No alarm data</p> </div> </div> <div style="width: 30%; padding-left: 10px;"> <p>m = O: Monitor screen display information r = O: READ OK N: READ NG</p> <div style="border: 1px solid black; padding: 5px; margin-bottom: 10px;"> <p>data = xx:yy:d1d2 xx = 00—22: Position of head character (in horizontal direction) Position from left when monitor screen has been divided horizontally into 22 segments.</p> <p>yy = 00—14: Position of head character (in vertical direction) Position from top when monitor screen has been divided vertically into 14 segments.</p> <p>d1d2 = 00—FF: Monitor screen display ON/OFF</p> <p><Note> For details on d1d2, refer to the monitor screen display information table.</p> </div> </div> </div>	

● Camera connection information table

Return command	Camera No. and connection ON (O)/OFF (X)			
	No. 1 (5, 9, 13)	No. 2 (6, 10, 14)	No. 3 (7, 11, 15)	No. 4 (8, 12, 16)
1	O	X	X	X
2	X	O	X	X
3	O	O	X	X
4	X	X	O	X
5	O	X	O	X
6	X	O	O	X
7	O	O	O	X
8	X	X	X	O
9	O	X	X	O
A	X	O	X	O
B	O	O	X	O
C	X	X	O	O
D	O	X	O	O
E	X	O	O	O
F	O	O	O	O

● Monitor screen display information table

Return command (d1)	Monitor screen display information ON (O)/OFF (X)			
	Camera No.	Time	Date	Alarm number
0	X	X	X	X
1	O	X	X	X
2	X	O	X	X
3	O	O	X	X
4	X	X	O	X
5	O	X	O	X
6	X	O	O	X
7	O	O	O	X
8	X	X	X	O
9	O	X	X	O
A	X	O	X	O
B	O	O	X	O
C	X	X	O	O
D	O	X	O	O
E	X	O	O	O
F	O	O	O	O

Return command (d2)	Monitor screen display information ON (O)/OFF (X)			
	Recording time mode	24-/12-hour system display	—	—
0	X	X	X	X
1	O	X	X	X
2	X	O	X	X
3	O	O	X	X
4	X	X	O	X
5	O	X	O	X
6	X	O	O	X
7	O	O	O	X
8	X	X	X	O
9	O	X	X	O
A	X	O	X	O
B	O	O	X	O
C	X	X	O	O
D	O	X	O	O
E	X	O	O	O
F	O	O	O	O

■ Query control commands

Data transmitted by PC	Data returned from unit in response	Description of command
[STX] QRA [ETX]	[STX] RAM [ETX] m = N: ACK ON F: ACK OFF	Queries the ACK (acknowledge) code response setting.
[STX] QRE [ETX]	[STX] LRBm [ETX] Parameter m = F: Buzzer OFF 0: 5 minutes 1: 10 minutes 2: 20 minutes 3: 30 minutes	Queries the setting of the buzzer operation in the event that the unit is kept in the stop mode for a prolonged period of time.
[STX] QRF [ETX]	[STX] LNRf:p:t [ETX] Parameter f = I: Field recording R: Frame recording p = H: HIGH Recording at a high picture quality N: NORMAL Recording at the standard picture quality t = 0—7: Recording type (RT0—7)	Queries the recording mode, picture quality and recording type settings.
[STX] QRR [ETX]	[STX] LRRm [ETX] Parameter m = N: REC REVIEW is performed automatically. F: REC REVIEW OFF	Queries the REC REVIEW setting.
[STX] QRS [ETX]	[STX] RSEm [ETX] Parameter m = 0: Normal 1: No command upon completion 2: No command upon completion/when an error has occurred	Queries the search end mode setting.
[STX] QRV:m [ETX] Parameter m = D: ROM version of digital video microcomputer S: Version of servo syscon microcomputer I: ROM version of interface No parameter: ROM version of interface	[STX] VERdata [ETX] Parameter data = d1d2.d3d4-d5d6-d7.d8d9 d1—d9: Software version	Queries the versions of the software used with each of the microcomputers.

■ Query control commands

Data transmitted by PC	Data returned from unit in response	Description of command
[STX] QSQ [ETX]	[STX] LSQm:t [ETX] Parameter m = 0—F: Camera No. 1—16 t = A: Auto sequence mode M: Manual sequence mode	Queries the camera number selection and sequence mode.
[STX] QST [ETX]	[STX] LSTdata1:data2 [ETX] Parameter data1 = ndmmtt (start date/time) data2 = ndmmtt (end date/time) n = 1: 1st week 2: 2nd week 3: 3rd week 4: 4th week L: Last week d = 0: Sunday 1: Monday 2: Tuesday 3: Wednesday 4: Thursday 5: Friday 6: Saturday mm = 01—12: Month tt = 01—22: Hours	Queries the start date/time and end date/time of daylight saving time.
[STX] QSU [ETX]	[STX] LSUm [ETX] Parameter m = N: Daylight saving time setting ON F: Daylight saving time setting OFF	Queries the ON/OFF setting for daylight saving time.
[STX] QTA [ETX]	[STX] TATmm:S [ETX] Parameter data = mm:n mm = 00—23: Digits of hours to be set FF: Sets minute digits to 00. n = S (fixed)	Queries the setting of the time to be set when signals have been input from the component connected to TIME ADJ IN on the rear panel terminal section.
[STX] QTC [ETX]	[STX] TTSdata [ETX] Parameter data = hhmmss hh = 00—23: Hours (24-hour mode) mm = 00—59: Minutes ss = 00—59: Seconds	Queries the current time setting.
[STX] QTL [ETX]	[STX] TCSdata [ETX] Parameter data = yyyyymmdd yyyy = 2000—2099: Gregorian calendar mm = 01—12: Month dd = 01—31: Day	Queries the current date setting.

■ Query control commands

Data transmitted by PC	Data returned from unit in response	Description of command
[STX] QTR [ETX]	[STX] HTRm:b [ETX] Parameter m = 0: 2% of tape remaining 1: 10% of tape remaining 2: 20% of tape remaining 3: 30% of tape remaining F: (OFF) no warning b = N: Warning is sounded by buzzer. F: (OFF) warning is not sounded by buzzer.	Queries the setting for the remaining tape amount for which REMAIN is to flash on the display tube as a warning display, and the setting for the buzzer to sound when the tape-end position is about to be reached. (When a 120-minute tape is used)
[STX] QTY:n [ETX] Parameter n = 1—6: Recording type (RT1—6)	[STX] LTYn:t:abcdefgh [ETX] Parameter n = 1—6: Recording type (RT1—6) t = 0: 3-hour recording 1: 9-hour recording 2: 12-hour recording 3: 18-hour recording 4: 24-hour recording 5: 48-hour recording 6: 72-hour recording 7: 96-hour recording 8: 120-hour recording 9: 180-hour recording A: 240-hour recording B: 360-hour recording C: 480-hour recording D: 960-hour recording F: OFF (setting of TIME MODE button is complied with) a = Y or N: for setting cameras No.1 and 2 b = Y or N: for setting cameras No.3 and 4 c = Y or N: for setting cameras No.5 and 6 d = Y or N: for setting cameras No.7 and 8 e = Y or N: for setting cameras No.9 and 10 f = Y or N: for setting cameras No.11 and 12 a = Y or N: for setting cameras No.13 and 14 h = Y or N: for setting cameras No.15 and 16 Y: Used N: Not used	Queries the setting for the combination of the recording time mode and number of cameras.

■ Query control commands

Data transmitted by PC	Data returned from unit in response	Description of command
[STX] QUI [ETX]	<p>[STX] LUISdata [ETX]</p> <p>Parameter data = U7U6U5U4U7U3U2U1U0</p> <p>Sets the user ID to be written using an ASCII code. Binary 4BIT×8 ↓ ASCII code: 0—9, A—F</p>	Queries the setting of the user ID to be recorded.
[STX] QVC [ETX]	<p>[STX] VVCm:data [ETX]</p> <p>Parameter m = A: Execution of detection processing by VCC command underway S: Detection processing by VCC command completed or detection stopped</p> <p>data = C13-16C9-12C5-8C1-4 C13-16 = 1—F: Connection information for camera No.13—16 C9-12 = 1—F: Connection information for camera No.9—12 C5-8 = 1—F: Connection information for camera No.5—8 C1-4 = 1—F: Connection information for camera No.1—4</p> <p><Note> For details on C*, refer to the Camera connection information table.</p>	<p>Queries the results of detecting whether the video input signals are present.</p> <p><Note> When the POWER switch is at OFF, the signals are not detected, and an error results. Initiate the detection processing using the VVC command before executing the QVC command. Correct results cannot be obtained unless processing has been completed using the VVC command.</p>
[STX] QVM [ETX]	<p>[STX] VMDm [ETX]</p> <p>Parameter m = A: AUTO Color is switched automatically in accordance with the input signals. B: B/W Monochrome</p>	Queries the color setting for the video output signals.
[STX] QWB [ETX]	<p>[STX] LWBm [ETX]</p> <p>Parameter m = N: Buzzer ON F: Buzzer OFF</p>	Queries the setting for whether the buzzer is to sound when a problem occurs in the unit and the power is automatically turned off.
[STX] QXT [ETX]	<p>[STX] LXTm [ETX]</p> <p>Parameter m = N: Signals are acknowledged. F: Signals are not acknowledged.</p>	Queries the setting for whether the signals from the external timer connected to the rear panel terminal section are to be acknowledged in the external timer recording mode.

■ Mode transition table

Return command	VTR STATUS													
	STOP	FF	REW	PLAY	REV PLAY	STILL/ PAUSE	CUE	REVIEW	REC PAUSE	REC	REC CHECK	EJECT	POWER OFF	
OPR	○	○	○	○	○	○	○	○	○	×	×	×	×	×
OPL	○	○	○	—	○	○	○	○	○	×	×	×	×	×
OSP	—	○	○	○	○	○	○	○	○	○	○	×	×	
OPA	○	○	○	○	○	PLAY	○	○	REC	REC PAUSE	×	×	×	
ORW	○	○	○	○	○	○	○	○	×	×	×	×	×	
OFF	○	○	○	○	○	○	○	○	×	×	×	×	×	
OAF	×	×	×	×	×	○	×	×	×	×	×	×	×	
OAR	×	×	×	×	×	○	×	×	×	×	×	×	×	
OEJ	○	○	○	○	○	○	○	○	○	○	○	—	×	
ORR	×	×	×	×	×	×	×	×	×	○	—	×	×	
ORC	○	○	○	○	○	REC PAUSE	○	○	○	—	○	×	×	
PON	—	—	—	—	—	—	—	—	—	—	—	—	○	
POF	○	○	○	○	○	○	○	○	○	○	○	○	—	
Search command	○	○	○	○	○	○	○	○	×	×	×	×	×	

<Note>



- : Operation changes to a return command mode.
- ×
- : The operation status is retained.

OPA command : This command may cause the unit to transfer from its current operation mode to a different operation mode.

Search commands : OPT, SCP, SCS, SMS, SPT, SRS, SUB

Error messages

When a problem has occurred in the unit, one of the following messages appears on the counter display. If the error is not released even after taking the suggested remedial action, set the POWER switch to OFF, disconnect the power cord, and consult your dealer.

Error No.	Description of problem	Remedial action
— d —	Condensation has formed. The only function button which can be operated is the EJECT button. The loading operation is not performed when a cassette tape has been inserted. The cylinder rotates when a cassette tape has not been inserted.	Wait with the power on until the error message is cleared.
E — 2	This appears when the cassette tape has not been inserted correctly or it has not been ejected 2 to 5 seconds or so after the EJECT button has been pressed. The power is automatically turned off.	Turn the power off and back on again.
E — 3	This appears when the loading or unloading operation is not completed even after 2 to 5 seconds or so have elapsed. The power is automatically turned off.	
E — 4	This appears when the rotational speed of the cylinder motor is abnormally low. The power is automatically turned off.	Deterioration of the cassette tape may be to blame. Turn the power off and back on again, and replace the cassette tape.
E — 5	This appears when an abnormal torque applied to the reel motor, etc. has been detected. The power is automatically turned off.	
E — 6	This appears when the tape transport becomes unstable. The power is automatically turned off.	
E — 7	This appears when a problem occurs in the solenoid controlling the reel base. The power is automatically turned off.	Turn the power off and back on again.
 (flashes)	“  ” flashes when the proper video level could not be achieved after REC REVIEW.	Dirty heads or deterioration of the cassette tape may be to blame. Clean the heads or replace the cassette tape.

Video head cleaning

This unit comes with an auto head cleaning function to reduce the amount of dirt on the heads automatically. However, to further improve reliability, it is recommended that the video heads be cleaned as and when appropriate.

For details on the actual cleaning method to be used, consult a representative at one of our servicing companies or your dealer.

Condensation

Condensation occurs according to the same principle as when droplets of water form on the window panes of a heated room. It occurs when the unit or its tapes are moved to a location with a very different temperature and/or humidity level. Specifically, it occurs:

- In a highly humid location where steam is trapped or when the unit is moved to a room immediately after the heater was turned on
- When the unit is suddenly moved from an air-conditioned location to a hot or very humid location

After the unit is moved to such a location, leave the unit or tapes standing for about 10 minutes before turning on the power.

If condensation has formed on the unit, the error message (– d –) lights on the counter display, and the cassette tape is automatically ejected.

Keep the power on, and wait until the error message is cleared.

Maintenance

Before proceeding with maintenance, always set the POWER switch to OFF, and disconnect the power cord from the power outlet by pulling the molded part of the power plug.

Use a soft cloth to clean the cabinet. To remove stubborn dirt, dilute some kitchen detergent, soak a cloth in the solution, wring it out well and wipe. Use a dry cloth to take up any remaining moisture. Do not use thinners or benzine.

Specifications

[GENERAL]

Supply voltage: AC 120 V, 50 Hz – 60 Hz
Power consumption: 37 W

Ambient operating temperature:

41°F to 104°F (5°C to 40°C)

Ambient operating humidity:

35% to 85% (no condensation)

Dimensions (W×H×D):

15"×4 3/8"×13 7/16" (380×110×340 mm)

Weight:

15.84 lb (7.2 kg)

Recording system:

D-TL recording system
(DV compression multi-segment recording)

Recording track:

Audio signal, Linear: 1 track

Tape speed:

20.84 mm/sec. (3-hour mode)

Tape used:

S-VHS standard tape (120-minute tape recommended)

Recording time modes:

3, 9, 12, 18, 24, 48, 72, 96, 120, 180, 240, 360, 480 and 960 hours

FF/REW time:

Less than 3 minutes (using 120-minute tape)

[VIDEO]

Horizontal resolution

HIGH : More than 520 lines (B&W/COLOR)

NORMAL : More than 380 lines (B&W/COLOR)

S/N ratio:

HIGH : Better than 50 dB (B&W/COLOR)

NORMAL : Better than 50 dB (B&W/COLOR)

Camera inputs (BNC) × 16:

1.0 V [p-p], 75 Ω, (loop-through, 75 Ω ON/OFF) unbalanced

S-VIDEO OUT (4P):

Luminance signal:

1.0 V [p-p]

Chrominance signal:

0.286 V [p-p] (burst level)

75 Ω, unbalanced

External switcher input/video output (BNC):

1.0 V [p-p], 75 Ω, unbalanced

VIDEO OUT (BNC):

1.0 V [p-p], 75 Ω, unbalanced

[AUDIO]

S/N ratio:

42 dB (3-hour mode, "A" weighted)

Frequency response:

70 Hz to 7 kHz (3-hour mode)

Recording/Playback time modes:

3, 9, 12, 18 and 24 hours

Audio input (pin jack):

-10 dBV, 47 kΩ, unbalanced

Mic input:

-60 dBV, 600 Ω to 4.7 kΩ, unbalanced

Audio output (pin jack):

-8 dBV, 600 Ω, unbalanced

[TERMINAL SECTION]

Inputs:

ALARM IN 1, ALARM IN 2, ALARM RESET IN, REC IN, EXT TIMER IN, TIME ADJ IN

Outputs:

ALARM OUT, EXT TIMER OUT, TAPE END OUT, WARNING/REC OUT

[OTHER]

REMOTE connector:

Exclusively designed for AG-A11 remote controller (optional accessory)

RS-232C connector:

D-sub, 9 pins, RS-232C interface

[ACCESSORIES]

Power cord:

× 1

Panasonic

VIDEO IMAGING SYSTEMS COMPANY

A Division of Panasonic Broadcast & Television Systems Company
A Unit of Matsushita Electric Corporation of America

Executive Office: One Panasonic Way 3E-7, Secaucus, New Jersey 07094

REGIONAL OFFICES:

Northeast: One Panasonic Way, Secaucus, NJ 07094 (201) 348-7303

Southern: 1225 Northbrook Parkway, Suite 1-160, Suwanee, GA 30024 (770) 338-6838

Midwest: 1707 North Randall Road, Elgin, IL 60123 (847) 468-5211

Western: 6550 Katella Ave., Cypress, CA 90630 (714) 373-7840

Panasonic Canada Inc.

5770 Ambler Drive, Mississauga, Ontario L4W 2T3 (905) 624-5010

Panasonic Sales Company

Division of Matsushita Electric of Puerto Rico Inc.

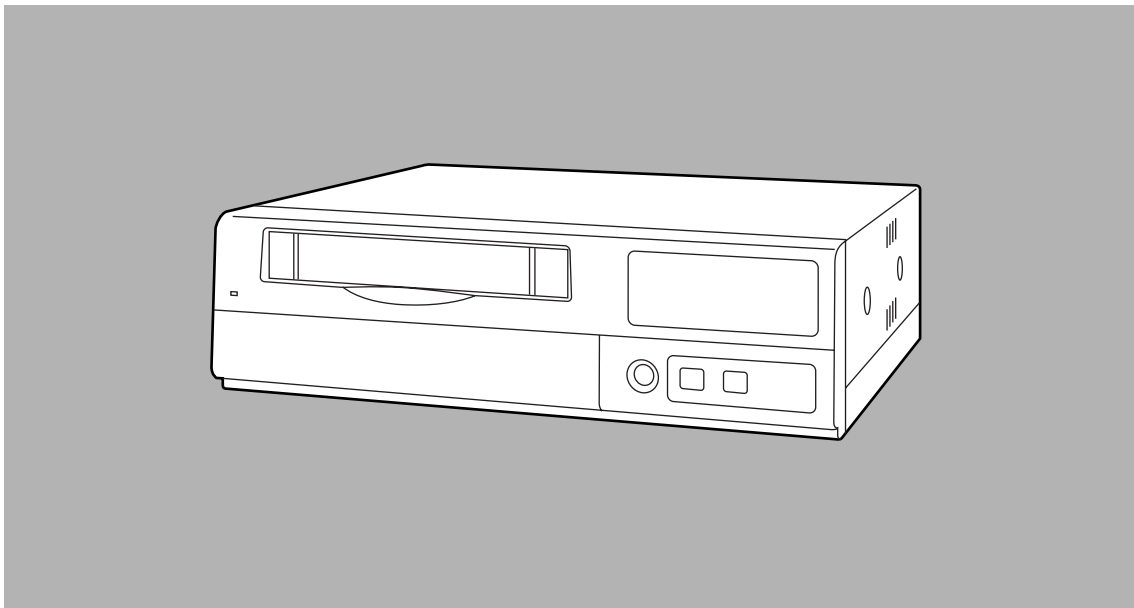
San Gabriel Industrial Park, 65th Infantry Ave., Km. 9.5, Carolina, Puerto Rico 00630 (787) 750-4300

Manuel d'utilisation

Magnétoscope numérique
à temps échelonné

DTL

Modèle AG-DTL1P



Panasonic[®]

Avant de raccorder, de faire fonctionner ou de régler l'appareil, lire attentivement tout ce manuel.



Mise en garde:

“L’enregistrement non autorisé d’émissions de télévision, films, rubans magnétoscopiques ou autres, protégés par des droits d’auteur, peut enfreindre les droits de propriété et aller à l’encontre des dispositions de la loi sur les droits d’auteur”.

	ATTENTION RISQUE DE CHOCS ÉLECTRIQUES NE PAS OUVRIR	
ATTENTION: AFIN DE PRÉVENIR LE RISQUE DE CHOCS ÉLECTRIQUES, NE PAS RETIRER LES VIS. TOUTE RÉPARATION DEVRAIT ÊTRE CONFÉE À UN PERSONNEL COMPÉTENT.		



Le symbole de l’éclair dans un triangle équilatéral indique la présence d’une tension suffisamment élevée pour engendrer un risque de chocs électriques.



Le point d’exclamation dans un triangle équilatéral indique que le manuel d’instructions inclus avec l’appareil contient d’importantes recommandations quant au fonctionnement et à l’entretien de ce dernier.

ATTENTION :

Pour garantir une ventilation adéquate, ne pas installer ni placer l’appareil dans une étagère, à l’intérieur d’une armoire ou dans tout autre espace confiné. Pour éviter tout risque de choc électrique ou de feu dû à une surchauffe, veiller à ce qu’aucun rideau ni aucun autre matériau ne fassent obstacle à la ventilation.

MISE EN GARDE:

AFIN DE PRÉVENIR TOUT RISQUE D’INCENDIE OU DE CHOCS ÉLECTRIQUES, ÉVITER D’EXPOSER CET APPAREIL À LA PLUIE OU À UNE HUMIDITÉ EXCESSIVE.

ATTENTION:

AFIN DE PRÉVENIR TOUT RISQUE D’INCENDIE, DE CHOCS ÉLECTRIQUES OU D’INTERFÉRENCES, N’UTILISER QUE LES ACCESSOIRES RECOMMANDÉS.

Remplacer la pile exclusivement par une pile No. VL3032/1GUF.

Le fait d’utiliser un autre type de pile pourrait poser un risque de feu ou d’explosion.

Attention—La pile risque d’exploser si elle n’est pas manipulée avec soin. Ne pas la recharger, la démonter ni la jeter au feu.

 indique les consignes de sécurité.

- Ne pas insérer les doigts ni des objets dans le logement de la cassette vidéo.
- Éviter d’utiliser ou de laisser l’appareil à proximité d’un champ magnétique puissant. Faire particulièrement attention aux grosses enceintes audio.
- Éviter d’utiliser ou de ranger l’appareil dans un environnement excessivement froid, chaud ou humide, car cela pourrait endommager à la fois le magnétoscope et le ruban.
- Ne pas vaporiser de produit de nettoyage ni de cire directement sur l’appareil.
- Si l’appareil ne doit pas être utilisé pendant longtemps, le protéger de la saleté et de la poussière.
- Ne pas laisser de cassette dans le magnétoscope lorsqu’il ne sert pas.

- Ne pas obstruer les événements d’aération de l’appareil.
- Utiliser l’appareil à l’horizontale et ne rien poser dessus.
- La cassette ne peut être utilisée que sur un seul côté et dans un seul sens. Les enregistrements sur les deux côtés et dans les deux sens ne sont pas possibles.
- La cassette peut être utilisée pour un enregistrement couleur ou monochrome.
- Ne pas tenter de démonter le magnétoscope. Il ne renferme aucune pièce qui soit réparable par l’utilisateur.
- Si du liquide se renverse à l’intérieur, faire vérifier l’appareil.
- Confier toute réparation à un personnel de réparation qualifié.

Table des matières

Caractéristiques	4	Réglage des menus	39
Les commandes et leurs fonctions	5	Méthode de réglage	39
Panneau avant	5	Menu de la page P1	
Panneau arrière	10	Ecran TIME/DATE PRESET	40
Réglages initiaux	11	Ecran REC LOCK	40
Réglage de la date et de l'heure	11	Ecran HOUR METER	40
Ajustement simplifié de l'heure	12	Menu de la page P2	
Ajustement simplifié de la date et de l'heure	13	Ecran DISPLAY	41
Réglage du mode de temps d'enregistrement et du		Ecran REC LOSS INDICATOR	41
nombre de caméras	14	Ecran DAYLIGHT SAVING	42
Réglage du mode d'enregistrement	15	Menu de la page P3	
Enregistrement d'images et		Ecran RECORDING T-MODE & CAMERA	43
enregistrement de trames	17	Menu de la page P4	
Raccordements	18	Ecran RECORDING MODE	43
Enregistrement	20	Ecran ALARM SENSOR REC	44
Lecture	21	Menu de la page P5	
Lecture normale	21	Ecran VTR MODE SELECT	45
Arrêt sur image	21	Menu de la page P6	
Commutation de l'affichage à l'écran	22	Ecran TAPE REMAIN	46
Commutation de l'affichage à l'écran pendant la		Ecran REC REVIEW	46
lecture	22	Ecran ERROR WARN BUZZER	47
Commutation entre l'affichage 1 écran et l'affichage		Ecran REC WARNING	47
4 écrans	22	Menu de la page P7	
Commutation des caméras	22	Ecran TERMINAL INPUT SELECT	48
Fonctions utiles	23	Ecran TERMINAL OUTPUT SELECT	48
Arrêt mémorisé	23	Ecran VIDEO OUT SEQUENCE	49
Enregistrement déclenché sur signal d'alarme et		Ecran EXT SWITCHER	49
enregistrement déclenché par senseur		Menu de la page P8	
(urgence)	24	Ecran PROGRAM TIMER	50
Rappel des enregistrements sur alarme et rappel		Ecran INTERNAL WEEKLY TIMER	50
des pannes d'alimentation en mémoire	26	Menu de la page P9	
Lecture de repérage (repérage/révision)	27	Ecran FREE SET TIMER	51
Repérage des enregistrements de surveillance		Menu de la page P10	
(repérage des sections d'enregistrement déclenché		Ecran RS-232C PARAMETERS	52
sur signal d'alarme)	27	Ecran USER ID REC	52
Repérage d'heure/date	28	RS-232C	53
Enregistrement par minuterie interne	29	1. Spécifications "matériel"	53
Enregistrement par minuterie externe	33	(1) Spécifications d'interface	53
Raccordement des bornes	35	(2) Paramètres de communication	53
Raccordements d'enregistrement déclenché sur		2. Spécifications "logiciel"	54
signal d'alarme	35	(1) Spécifications du logiciel externe	54
Raccordements de signal de sortie de fin de		(2) Format de transmission (PC → appareil)	54
ruban	36	(3) Format de réception (appareil → PC)	55
Raccordements de signal de sortie d'arrêt		(4) Liste des commandes	56
automatique et raccordements de signal de sortie		Messages d'erreur	102
d'enregistrement	36	Nettoyage du cylindre des têtes	103
Raccordements d'entrée de minuterie externe	36	Condensation	103
Raccordements de réglage des heures	37	Entretien	103
Raccordements d'entrée de minuterie externe	37	Données techniques	104
Niveaux de signal aux bornes	38		

Caractéristiques

Bloc de commutation intégré capable de supporter 16 caméras

- L'appareil supporte également les caméras asynchrones.
- L'appareil permet l'enregistrement après commutation automatique des caméras comme ordonné par le mode de temps d'enregistrement.
- Pendant l'enregistrement, il est possible de commuter les caméras et de visionner leurs images sur un moniteur télé à un moment autre que la synchronisation d'enregistrement réglée.

Enregistrements numériques à haute qualité d'image

Les enregistrements numériques s'effectuent sur ruban S-VHS à une haute qualité d'image. La présence de circuits A/N et N/A hautes performances permet des enregistrements numériques à haute qualité d'image même si l'enregistrement est commuté d'une caméra sur une autre.

- Mode haute qualité d'image : 520 lignes de résolution horizontale, rapport signal/bruit de 50 dB
- Mode qualité d'image standard : 380 lignes de résolution horizontale, rapport signal/bruit de 50 dB

Grand choix de modes de temps d'enregistrement

- Il y a 14 modes de temps d'enregistrement au choix.

3 heures, 9 heures, 12 heures, 18 heures, 24 heures, 48 heures, 72 heures, 96 heures, 120 heures, 180 heures, 240 heures, 360 heures, 480 heures et 960 heures
--

- Il est possible de commuter entre l'enregistrement d'images et l'enregistrement de trames.

Lecture de caméra spécifique

Pendant la lecture, il est possible de sélectionner n'importe quelle caméra et de lire son enregistrement. La même chose est possible pendant un repérage ou une révision.

Lecture avec affichage simultané de quatre images à l'écran

Il est possible de sélectionner les images enregistrées par 4 caméras et, en divisant l'écran du moniteur télé en quatre sections, de lire simultanément les quatre images sur les sections respectives de l'écran.

Fonction de repérage par date/heure

Il est possible de sélectionner la date et l'heure d'enregistrement (mois/jour/heures/minutes) de façon à lancer un repérage des données enregistrées.

Fonction de repérage d'enregistrements de surveillance

Il est possible de repérer les données enregistrées qui renferment des enregistrements déclenchés sur signal d'alarme.

Haute fiabilité et haute durabilité

- Mécanisme IQ d'une fiabilité et d'une durabilité de tout premier plan
- Stabilité de défilement du ruban grâce à un moteur à bobine 2DD
- Fonction de nettoyage automatique des têtes assurant le nettoyage du cylindre des têtes chaque fois qu'un ruban est chargé

Format compact, avec 38 cm de largeur, et possibilité d'installation à la verticale

L'appareil peut être installé à la verticale sur son panneau gauche et fixé à l'aide de ferrures de montage spéciales (accessoires vendus séparément, STEN-B6730).

- Ne pas installer l'appareil à la verticale sur son panneau droit. Cela pourrait provoquer des dysfonctionnements.

Fonctions de réglage à l'écran

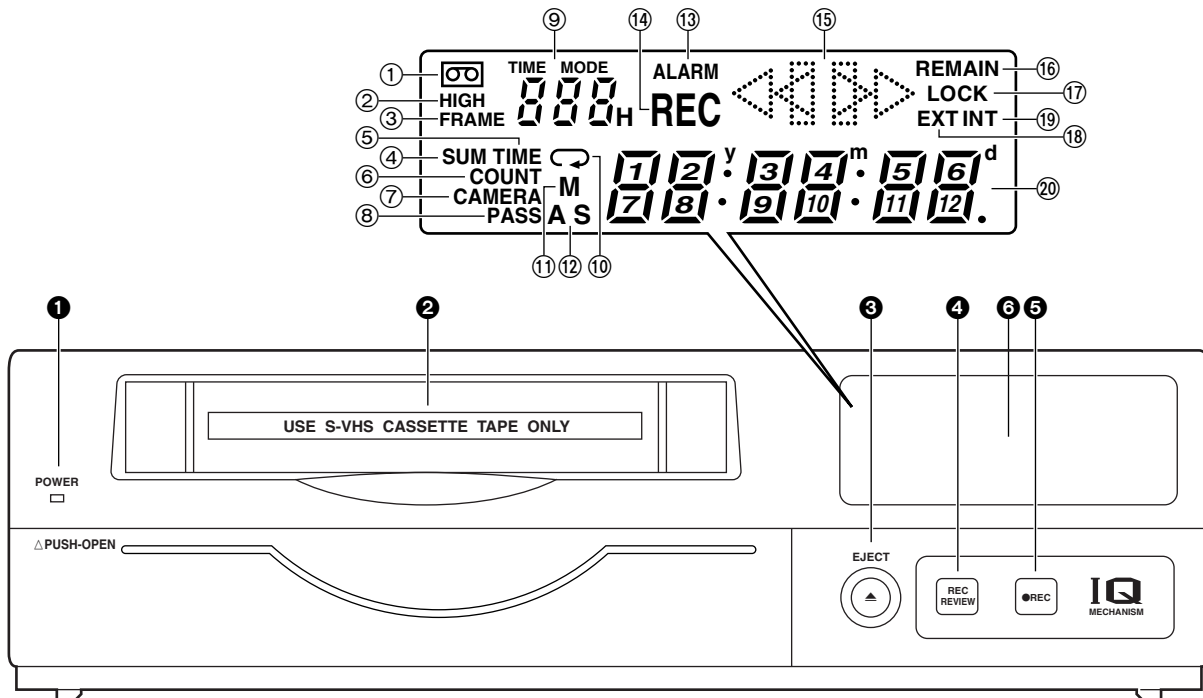
Les fonctions multiples et variées de l'appareil se règlent sur l'écran du moniteur télé.

Autres caractéristiques

- Fonction de marche/arrêt de terminaison 75 Ω prévue pour les connecteurs d'entrée de caméra (16)
- Commutation entre 8 connecteurs d'entrée de caméra et 8 sorties de caméras raccordées en dérivation possible
- Possibilité de commande RS-232C
- Enregistrement audio (en modes 3 heures à 24 heures)
- Fonctions d'ajustement simplifié de l'heure
- Fonction de réglage de temps d'enregistrement et de caméra utilisée
- Diverses fonctions de minuterie interne et de minuterie externe

Les commandes et leurs fonctions

Panneau avant



1 Voyant POWER (alimentation)

S'allume lorsque le contact est établi.

2 Fente d'insertion de la cassette

Toujours utiliser des cassettes S-VHS. Si une cassette VHS est utilisée, elle sera automatiquement éjectée lorsque la touche REC sera pressée. La cassette sera également éjectée si la touche REC est pressée alors que sa languette de prévention d'effacement accidentel est brisée.

L'appareil est conçu pour délivrer le haut niveau de fiabilité requis des magnétoscopes à temps échelonné utilisés dans les applications de surveillance, de sécurité et de contrôle. Pour garantir la totale fiabilité de fonctionnement de l'appareil lors des opérations d'enregistrement, il est recommandé d'utiliser la cassette vidéo Panasonic suivante :
Cassette S-VHS: Série ST-120 (cassette de 120 minutes)

3 Touche EJECT (éjection)

Appuyer pour éjecter la cassette.

Elle ne fonctionnera pas si elle n'est pas pressée à fond.

4 Touche REC REVIEW (révision d'enregistrement)

Appuyer pendant l'enregistrement pour contrôler l'enregistrement. Les quelques images qui viennent d'être enregistrées sont lues, puis le mode enregistrement est restauré.

Il faut environ 10 secondes pour que l'image de lecture apparaisse.

5 Touche REC (enregistrement)

Appuyer pour débuter l'enregistrement.

Les commandes et leurs fonctions

⑥ Registre



S'éclaire lorsqu'une cassette est insérée.
Clignote si une erreur est détectée à la suite d'une révision d'enregistrement.

② HIGH

S'éclaire lors de la lecture d'une cassette enregistrée en mode haute qualité d'image et lors de l'enregistrement d'une cassette en mode haute qualité d'image.

③ FRAME

S'éclaire lors de la lecture d'une cassette enregistrée en mode image et lors de l'enregistrement d'une cassette en mode image.

④ SUM

S'éclaire lorsque l'heure d'été est affichée.

⑤ TIME

S'éclaire lorsque l'heure est affichée.

⑥ COUNT

S'éclaire lorsque la valeur du compteur est affichée.

⑦ CAMERA

S'éclaire lorsque le numéro de caméra est affiché.

⑧ PASS

S'éclaire lorsque le nombre d'enregistrements de ruban en reprise (passes) est affiché.

⑨ TIME MODE

Indique le mode de temps d'enregistrement.



S'éclaire lorsque l'enregistrement en reprise est validé.

⑪ M

S'éclaire lorsque le mode arrêt mémorisé est validé.

⑫ AS (S)

AS: S'éclaire lorsque le mode repérage d'enregistrements de surveillance est validé.

S : S'éclaire lorsque le mode repérage par temps est réglé. Le voyant clignote pendant le repérage.

⑬ ALARM

S'éclaire pendant un enregistrement déclenché sur signal d'alarme.

Clignote lorsque l'enregistrement déclenché sur signal d'alarme est terminé.

⑭ REC

S'éclaire pendant un enregistrement ou une pause à l'enregistrement.

⑮ Affichages de mode de fonctionnement vidéo

▷ : Lecture

◁ : Lecture en marche arrière

REC ▷ : Enregistrement, surveillance d'enregistrement

REC ◻◻ : Pause à l'enregistrement

◻◻ : Arrêt sur image (clignote pendant une lecture d'image), avance image par image

▷▷ : Avance accélérée, repérage

◁◁ : Rebobinage, révision

⑯ REMAIN

Clignote lorsque la fin du ruban approche (lorsque le mode alarme de ruban restant a été validé).

⑰ LOCK

S'éclaire lorsque le mode verrouillage a été validé avec le commutateur LOCK ou à la rubrique REC LOCK du menu de réglage.

⑱ EXT

S'éclaire lorsque le mode minuterie externe a été validé.

⑲ INT

S'éclaire lorsque le mode minuterie interne a été validé.

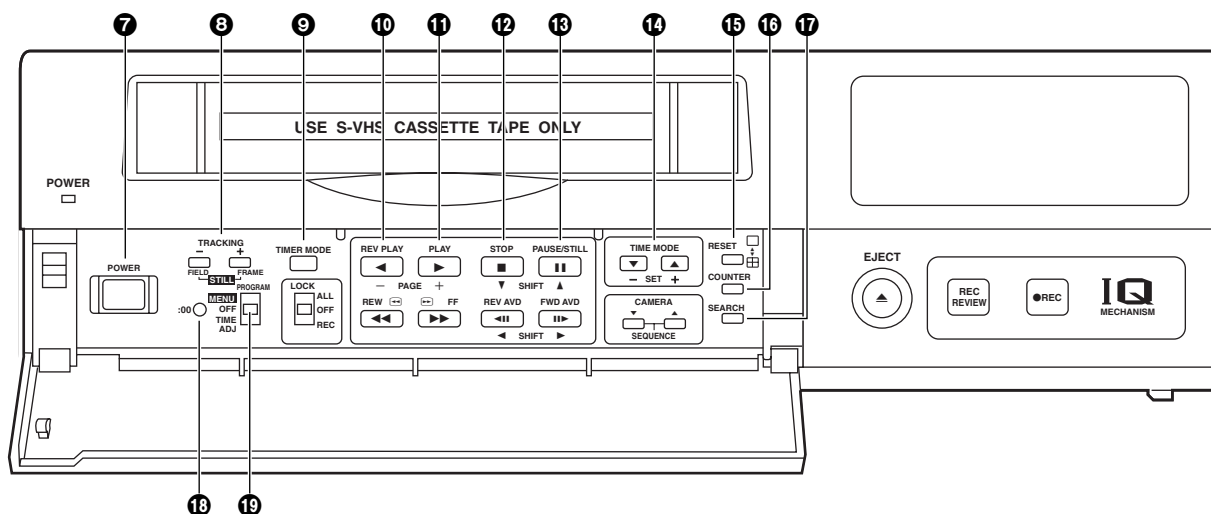
⑳ Registre

Affiche le temps ou la valeur du compteur ; affiche les codes d'erreur lorsqu'il s'est produit une erreur.

Par ailleurs, lorsqu'il y a une divergence entre le nombre de caméras réglées et le nombre de caméras effectivement raccordées du fait que l'un des câbles raccordé aux connecteurs CAMERA IN s'est débranché ou n'est pas raccordé à fond, le numéro de la caméra en question clignote à l'affichage pour avertir l'utilisateur.

Les commandes et leurs fonctions

Panneau avant (panneau avant escamotable)



7 Interrupteur POWER (alimentation)

S'utilise pour établir ou couper le contact.
Lorsque le contact est établi, le voyant POWER s'éclaire, et l'avertisseur sonore retentit une fois.

8 Touches TRACKING (pistage)

Appuyer pendant une lecture normale pour ajuster le pistage.
Si ces touches sont pressées pendant un arrêt sur image, l'appareil passe en mode arrêt sur trame ou arrêt sur image.
Toutefois, l'appareil ne passera pas en mode arrêt sur image si la cassette insérée a été enregistrée en mode trame.

9 Touche TIMER MODE (mode de minuterie)

S'utilise pour sélectionner le mode de minuterie. A chaque pression sur la touche, le mode change, et l'un des voyants de mode suivants s'éclaire au registre.

Pas d'affichage :

Enregistrement normal

EXT : Enregistrement par minuterie externe.

INT : Enregistrement par minuterie interne.

10 Touche REV PLAY (lecture en marche arrière)

Appuyer pour lire la cassette en marche arrière.
Si le commutateur PROGRAM est placé à la position MENU, cette touche tient lieu de touche PAGE (-) pour sélectionner l'écran du menu de réglage.
Si le commutateur PROGRAM est placé à la position TIME ADJ, cette touche permet de commuter entre l'affichage de la date et l'affichage de l'heure.

11 Touche PLAY (lecture)

Appuyer pour lire la cassette en marche avant.
Si le commutateur PROGRAM est placé à la position MENU, cette touche tient lieu de touche PAGE (+) pour sélectionner l'écran du menu de réglage.
Si le commutateur PROGRAM est placé à la position TIME ADJ, cette touche permet de commuter entre l'affichage de la date et l'affichage de l'heure.

12 Touche STOP (arrêt)

Appuyer pour arrêter le mode de fonctionnement.
Si le commutateur PROGRAM est placé à la position MENU, cette touche tient lieu de touche SHIFT (▼) pour sélectionner les rubriques sur le menu de réglage.
Si le commutateur PROGRAM est placé à la position TIME ADJ, cette touche déplace la position vers le bas de l'écran.

Les commandes et leurs fonctions

13 Touche PAUSE STILL (pause/arrêt sur image)

Appuyer pour déclencher la pause à l'enregistrement ou l'arrêt sur image.

Si l'appareil reste en mode pause à l'enregistrement ou arrêt sur image pendant une durée supérieure à la durée prescrite, il passe automatiquement en mode arrêt afin de protéger le ruban.

Si le commutateur PROGRAM est placé à la position MENU, cette touche tient lieu de touche SHIFT (▲) pour sélectionner les rubriques sur le menu de réglage.

Si le commutateur PROGRAM est placé à la position TIME ADJ, cette touche déplace la position vers le haut de l'écran.

14 Touches TIME MODE (mode de temps)

Appuyer pour sélectionner le mode de temps d'enregistrement.

3H : Mode enregistrement de 3 heures

9H : Mode enregistrement de 9 heures

12H : Mode enregistrement de 12 heures

18H : Mode enregistrement de 18 heures

24H : Mode enregistrement de 24 heures

48H : Mode enregistrement de 48 heures

72H : Mode enregistrement de 72 heures

96H : Mode enregistrement de 96 heures

120H : Mode enregistrement de 120 heures

180H : Mode enregistrement de 180 heures

240H : Mode enregistrement de 240 heures

360H : Mode enregistrement de 360 heures

480H : Mode enregistrement de 480 heures

960H : Mode enregistrement de 960 heures

Si le commutateur PROGRAM est placé à la position MENU, ces touches tiennent lieu de touche SET (+) et (-) pour sélectionner les paramètres des rubriques du menu de réglage.

15 Touche RESET (réinitialisation)

Appuyer pendant que les chiffres du compteur sont affichés au registre avec la touche COUNTER pour réinitialiser le compteur CTL.

Si le numéro de la caméra est indiqué au registre avec la touche COUNTER pendant la lecture, cette touche permet de commuter l'écran du moniteur télé entre la lecture 1 écran et la lecture 4 écrans.

16 Touche COUNTER (compteur)

S'utilise pour changer le mode d'affichage au registre.

A chaque pression sur la touche COUNTER, le mode change comme suit.

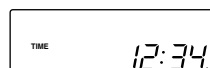
Affichage de numéro de caméra :

Le numéro de la caméra en vigueur s'affiche.

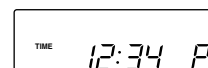


Affichage de l'heure :

L'heure s'affiche.



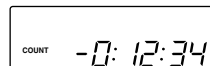
Affichage de 24 heures



Affichage de 12 heures

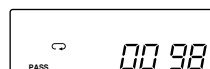
Affichage du compteur :

Le compteur s'affiche.



Affichage de passe :

Indique le nombre de fois (passes) que l'enregistrement en reprise a été effectué lorsque l'enregistrement en reprise a été validé.



17 Touche SEARCH (repérage)

Appuyer pour sélectionner le mode de repérage.

A chaque pression sur la touche en mode affichage du compteur, le mode de repérage change et l'un des voyants de mode suivants s'éclaire au registre.

M : Mode arrêt mémorisé

AS : Mode repérage d'enregistrements de surveillance

Lorsque la touche SEARCH est pressée alors que l'heure est affichée au registre avec la touche COUNTER, le mode repérage par temps est validé, et "S" s'éclaire au registre.

18 Touche :00

Appuyer pour régler les chiffres des secondes de l'heure sur "00".

Les secondes se réinitialisent à "00" si la touche est pressée lorsque l'affichage indique 0 à 29 secondes, et elles se réinitialisent à "00" de la minute suivante si la touche est pressée lorsque l'affichage indique 30 à 59 secondes.

19 Commutateur PROGRAM (programme)

S'utilise pour afficher le menu et régler l'heure.

Normalement, laisser ce commutateur à la position OFF.

MENU:

L'écran du menu de réglage s'affiche.

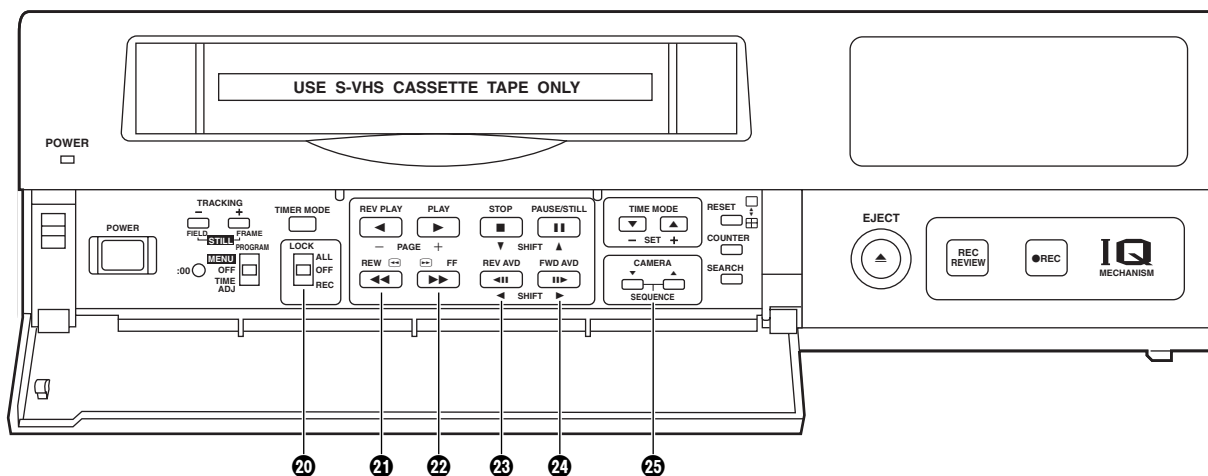
Si le commutateur est placé à la position MENU et que la pression est maintenue sur la touche STOP, l'écran d'alarme ou l'écran de coupure du courant s'affiche.

TIME ADJ:

Placer le commutateur à cette position pour régler l'heure ou ajuster la position d'affichage à l'écran.

Les commandes et leurs fonctions

Panneau avant (panneau avant escamotable)



20 Commutateur LOCK (verrouillage)

S'utilise pour valider le mode verrouillage.

ALL : Toutes les opérations normales sont interrompues, et LOCK s'éclaire au registre.

OFF : Les opérations s'effectuent normalement.

REC : Les opérations sont interrompues lorsque l'enregistrement a débuté, et LOCK s'éclaire au registre.

(Les opérations de la touche REC REVIEW sont reconnues.)

21 Touche REW/◀ (rebobinage)

Appuyer en mode arrêt pour rebobiner le ruban.

Lorsque la touche est pressée pendant une lecture ou un arrêt sur image, le ruban est révisé.

22 Touche ▶▶/FF (avance accélérée)

Appuyer en mode arrêt pour obtenir une avance accélérée du ruban.

Lorsque la touche est pressée pendant une lecture ou un arrêt sur image, le ruban est repéré.

23 Touche REV AVD (avance en marche arrière image par image)

Appuyer pendant un arrêt sur image pour avancer le ruban image par image en marche arrière.

Si le commutateur PROGRAM est placé à la position MENU, cette touche tient lieu de touche SHIFT (◀) pour sélectionner les rubriques sur le menu de réglage.

Si le commutateur PROGRAM est placé à la position TIME ADJ, cette touche déplace la position vers la gauche de l'écran.

24 Touche FWD AVD (avance image par image)

Appuyer pendant un arrêt sur image pour avancer le ruban image par image en marche avant.

Si le commutateur PROGRAM est placé à la position MENU, cette touche tient lieu de touche SHIFT (▶) pour sélectionner les rubriques sur le menu de réglage.

Si le commutateur PROGRAM est placé à la position TIME ADJ, cette touche déplace la position vers la droite de l'écran.

25 Touches CAMERA (caméra)

En mode lecture :

Appuyer pendant la lecture pour sélectionner la caméra et lire les images enregistrées par la caméra sélectionnée.

Dans les autres modes :

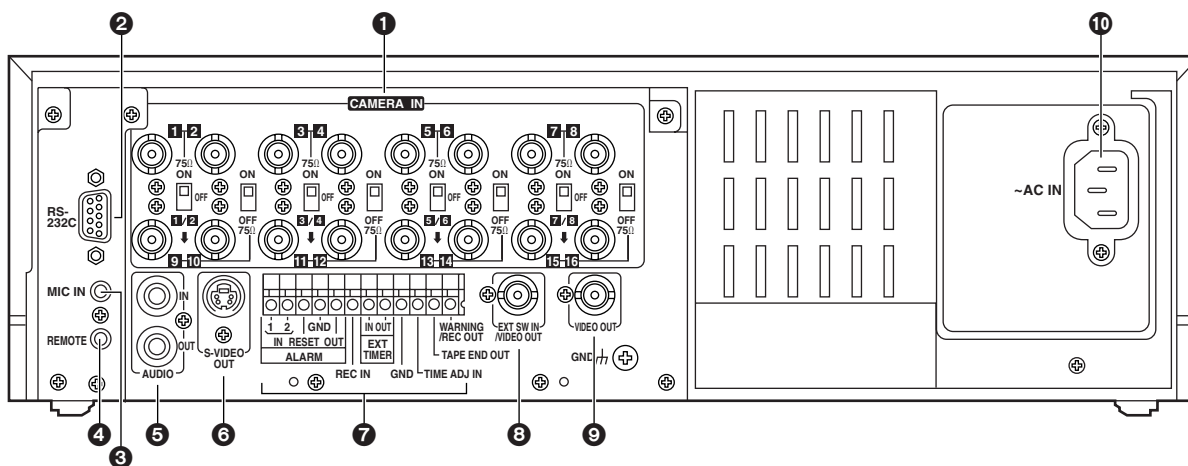
Si les touches sont pressées dans n'importe quel autre mode, il est possible de sélectionner la caméra à surveiller.

Si la touche [▼] et la touche [▲] sont pressées en même temps, le mode séquence automatique est établi.

Si elles sont pressées en mode séquence automatique, l'appareil passe en mode séquence manuelle.

Les commandes et leurs fonctions

Panneau arrière



- 1 Connecteurs CAMERA IN 1 à 16 (BNC), sélecteurs de terminaison 75 Ω/raccordement en dérivation 1 à 8, sélecteurs de terminaison 75 Ω 9 à 16**

Les signaux d'entrée vidéo de caméra et des autres appareils externes (16 entrées max.) se raccordent à ces connecteurs.

Pour utiliser ces connecteurs, sélectionner REC TYPE à la rubrique RECORDING T-MODE & CAMERA du menu de réglage P3.

<Remarque>

Les sélecteurs de terminaison 75 Ω/raccordement en dérivation 1 à 8 possèdent 3 positions.

Les sélecteurs 9 à 16 possèdent 2 positions, terminaison 75 Ω validée (ON) ou invalidée (OFF).

- 2 Connecteur RS-232C**

S'utilise pour raccorder un ordinateur personnel ou tout autre périphérique pour le contrôle de l'appareil.

- 3 Borne MIC IN (M3)**

S'utilise pour le raccordement des signaux d'entrée audio d'un microphone. (Impédance 600 Ω)

- 4 Connecteur REMOTE**

S'utilise pour le raccordement de la télécommande modèle AG-A11 vendue séparément.

- 5 Connecteurs AUDIO (bornes à contact)**

Ce sont les connecteurs d'entrée et de sortie audio. Quand un microphone a été raccordé à la borne MIC IN, le son de cette borne a priorité pour l'enregistrement.

- 6 Connecteur S-VIDEO OUT (4 contacts)**

S'utilise pour le raccordement d'un périphérique équipé d'un connecteur d'entrée S-vidéo.

- 7 Section des bornes**

- 8 Connecteur EXT SW IN/VIDEO OUT (BNC)**

Les signaux vidéo envoyés par ce connecteur sont les mêmes que ceux du connecteur VIDEO OUT 9. Lorsque EXT SW IN a été sélectionné à la rubrique EXT SWITCHER MODE du menu de réglage P7, le connecteur pourra servir de connecteur d'entrée pour le bloc de commutation externe.

- 9 Connecteur VIDEO OUT (BNC)**

Les signaux vidéo de la caméra sélectionnée avec le bloc de commutation séquentiel interne sont envoyés par ce connecteur pendant l'enregistrement.

Pendant la lecture, les images de lecture du ruban enregistré sont envoyées.

L'écran de menu ou l'écran de réglage de l'heure s'affiche également.

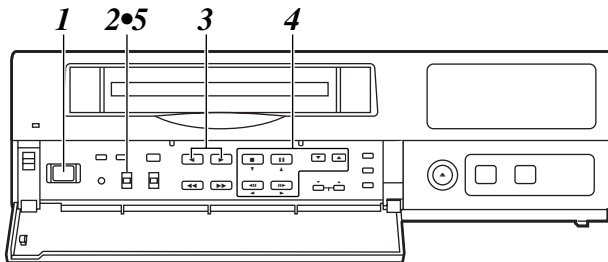
- 10 Borne AC IN**

Raccorder l'une des extrémités du fil d'alimentation à cette borne, et l'autre extrémité à une prise murale 120 V c.a.

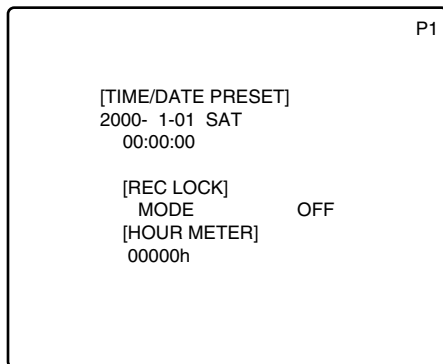
Réglages initiaux

Avant d'utiliser l'appareil, effectuer les réglages initiaux suivants.

■ Réglage de la date et de l'heure



- 1** Placer l'interrupteur à la position ON.
- 2** Placer le commutateur PROGRAM à la position MENU.
L'écran du menu de réglage apparaît sur le moniteur télé.
- 3** Appuyer sur la touche PAGE (+) ou PAGE (-) pour afficher l'écran P1 TIME/DATE PRESET.
Les rubriques qui clignotent peuvent être réglées.



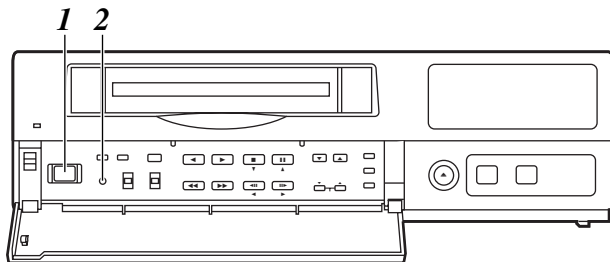
- 4** Procéder comme suit pour régler la date et l'heure.
 - Utiliser les touches SHIFT (▼) et (▲) pour amener la section clignotante sur la rubrique à régler.
 - Utiliser les touches SHIFT (◀) et (▶) pour amener la section clignotante sur la colonne où se trouve le paramètre à modifier.
 - Appuyer sur la touche SET (+) ou (-) pour régler les chiffres.
- 5** Lorsque les réglages sont terminés, placer le commutateur PROGRAM à la position OFF.
L'écran du menu de réglage disparaît du moniteur télé, et le mode normal revient.

Réglages initiaux

Si l'horloge avance ou retarde, procéder comme suit pour la régler.

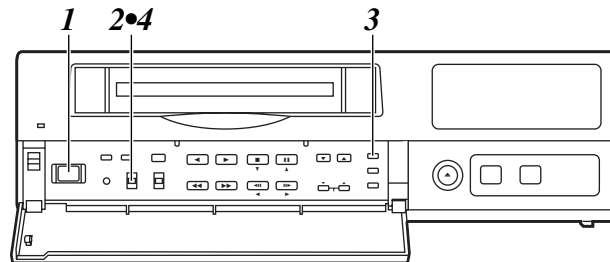
■ Ajustement simplifié de l'heure

Si l'horloge avance ou retarde de 30 secondes



- 1 Placer l'interrupteur à la position ON.
- 2 Les chiffres des secondes se réinitialisent à "00" lorsque la touche :00 est pressée en synchronisation avec un signal horaire, etc. Elles se réinitialisent à "00" si la touche est pressée lorsque l'affichage indique 0 à 29 secondes, et elles se réinitialisent à "00" de la minute suivante si la touche est pressée lorsque l'affichage indique 30 à 59 secondes.

Si l'horloge avance ou retarde de 15 minutes

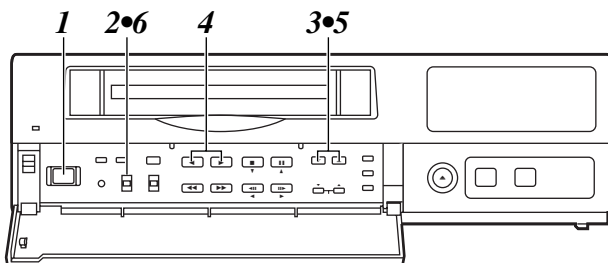


- 1 Placer l'interrupteur à la position ON.
- 2 Placer le commutateur PROGRAM à la position "réglage de l'heure".
Le registre affiche l'heure, et les chiffres des "minutes" clignotent.
- 3 Les chiffres des minutes et des secondes se réinitialisent à "00:00" lorsque la touche RESET est pressée en synchronisation avec un signal horaire, etc.
Elles se réinitialisent à "00:00" si la touche est pressée lorsque l'affichage indique 0 à 14 minutes, et elles se réinitialisent à "00:00" de l'heure suivante si la touche est pressée lorsque l'affichage indique 45 à 59 minutes.
- 4 Lorsque les réglages sont terminés, placer le commutateur PROGRAM à la position OFF.

Réglages initiaux

Si la date et l'heure sont incorrectes, les régler en procédant comme suit.

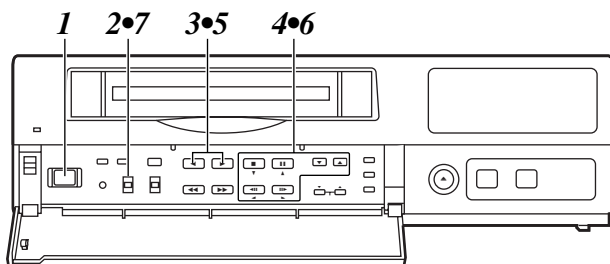
■ Ajustement simplifié de la date et de l'heure



- 1** Placer l'interrupteur à la position ON.
- 2** Placer le commutateur PROGRAM à la position "réglage de l'heure".
Le registre affiche l'heure, et les chiffres des "minutes" clignotent.
- 3** Appuyer sur la touche SET (+) ou SET (-) pour régler les chiffres des "minutes".
- 4** Appuyer sur la touche PAGE (+) ou PAGE (-).
La date apparaît, et les chiffres de la "date" clignotent.
- 5** Appuyer sur la touche SET (+) ou SET (-) pour régler les chiffres de la "date".
- 6** Lorsque les réglages sont terminés, placer le commutateur PROGRAM à la position OFF.

Réglages initiaux

■ Réglage du mode de temps d'enregistrement et du nombre de caméras



- 1 Placer l'interrupteur à la position ON.
- 2 Placer le commutateur PROGRAM à la position MENU.
L'écran du menu de réglage apparaît sur le moniteur télé.
- 3 Appuyer sur la touche PAGE (+) ou PAGE (-) pour afficher l'écran P3 RECORDING T-MODE & CAMERA.
Les rubriques qui clignotent peuvent être réglées.

4 Effectuer les étapes ci-dessous pour régler le mode de temps d'enregistrement et le nombre de caméras.

- Utiliser les touches SHIFT (▼), (▲), (◀) et (▶) pour amener la section clignotante sur la colonne où se trouve le paramètre à modifier.
- Appuyer sur la touche SET (+) ou (-) pour régler le paramètre.

A l'écran P3 RECORDING T-MODE & CAMERA, régler le nombre de caméras à utiliser et leur mode de temps d'enregistrement pour RT0 à RT7 dans la colonne REC TYPE au préalable.

Il est possible d'effectuer différents types d'enregistrements en réglant ces deux rubriques lors d'un enregistrement normal ou d'un enregistrement par minuterie.

<Remarques>

- Pour RT0, T-MODE (mode de temps d'enregistrement) est fixé à OFF.
- Pour RT7, le réglage du nombre de caméras à utiliser est fixé à 1 pour C1.

Fixé à OFF

Le nombre de caméras à utiliser s'affiche automatiquement ici.

[RECORDING T-MODE & CAMERA]		(CAMERA SELECT)																P3	
REC TYPE	T-MODE	C. NO	C1	C3	C5	C7	C9	C11	C13	C15	C2	C4	C6	C8	C10	C12	C14	C16	
RT0	OFF*16		Y	Y	Y	Y	Y	Y	Y	Y									
RT1	3H*08		Y	Y	Y	Y	N	N	N	N									
RT2	12H*04		Y	Y	N	N	N	N	N	N									
RT3	24H*06		Y	Y	Y	N	N	N	N	N									
RT4	240H*10		Y	Y	Y	Y	Y	Y	N	N									
RT5	120H*16		Y	Y	Y	Y	Y	Y	Y	Y									
RT6	480H*12		Y	Y	Y	Y	Y	Y	Y	N									
RT7	480H*01	C1																	

Y: YES N: NO

Fixé à 01 C1

Le mode de temps d'enregistrement se règle ici.

Les caméras à utiliser se règlent ici.
Les caméras se règlent par paires : C1-C2, C3-C4, et ainsi de suite jusqu'à C15-C16.
"Y" (Oui) se règle pour chaque paire de caméras à utiliser.
Un signal de salve du noir (écran noir) est enregistré si aucun signal vidéo n'est envoyé par la caméra alors que "Y" (Oui) a été réglé pour cette caméra.

Réglages initiaux

■ Réglage du mode d'enregistrement

- 5** Appuyer sur la touche PAGE (+) ou PAGE (-) pour afficher l'écran P4 RECORDING MODE.
Les rubriques qui clignotent peuvent être réglées.

[RECORDING MODE]		P4
FIELD/FRAME	FIELD	
PICTURE QUALITY	HIGH	
REC-TYPE	RT0 (OFF*16)	
[ALARM/SENSOR REC]		
MODE	OFF	
FIELD/FRAME	FIELD	
PICTURE QUALITY	HIGH	
DURATION	0.5min	
BUZZER	OFF	
REPEAT	OFF	
GROUP ALARM1	RT0 (OFF*16)	
GROUP ALARM2	RT0 (OFF*16)	

- 6** Régler le mode d'enregistrement en procédant comme suit.

- Utiliser les touches SHIFT (▼) et (▲) pour amener la section clignotante sur la rubrique dont le paramètre doit être modifié.
- Appuyer sur la touche SET (+) ou (-) pour régler le paramètre.

- 7** Lorsque les réglages sont terminés, placer le commutateur PROGRAM à la position OFF.
L'écran du menu de réglage disparaît du moniteur télé, et le mode normal revient.

Ecran P4 RECORDING MODE

- Sélectionner l'enregistrement de trames ou l'enregistrement d'images à la rubrique FIELD/FRAME.
- Sélectionner l'enregistrement haute qualité ou l'enregistrement à qualité standard à la rubrique PICTURE QUALITY.
- Sélectionner le mode de temps d'enregistrement qui a été réglé à l'écran P3 RECORDING T-MODE & CAMERA à la rubrique REC-TYPE.
Si le type RT0 est sélectionné, le mode de temps d'enregistrement qui a été réglé avec la touche TIME MODE du panneau avant est utilisé pour l'enregistrement.
Si un type RT1 à RT7 est sélectionné, le mode de temps d'enregistrement qui a été réglé par RT1 à RT7 est utilisé pour l'enregistrement.

<Remarques>

- Si RT7 est sélectionné à la rubrique REC-TYPE, un enregistrement d'images s'effectuera impérativement, quel que soit le réglage de la rubrique FIELD/FRAME.
- L'enregistrement est possible à 60 trames par seconde (soit la même vitesse que les appareils vidéo domestiques) si NORMAL est sélectionné à la rubrique PICTURE QUALITY et si le mode de temps d'enregistrement est réglé à 3H lorsque RT7 est sélectionné à la rubrique REC-TYPE.
- Si le mode de temps d'enregistrement est réglé à 3H lorsque RT7 est sélectionné à la rubrique REC-TYPE, l'enregistrement s'effectue automatiquement en mode haute qualité d'image quel que soit le réglage de PICTURE QUALITY.

Réglages initiaux

Le tableau ci-dessous montre le rapport entre les modes de temps d'enregistrement et le nombre de caméras.
(Avec une cassette S-VHS de 120 minutes)
Régler le mode en fonction de l'objectif recherché.

Mode haute qualité d'image (enregistrement de trames)

Mode de temps d'enregistrement	No. de trames à enregistrer par seconde	Temps pris pour la commutation de caméra (secondes)	Temps pris pour que le cycle d'enregistrement revienne à la première caméra pour le nombre de caméras raccordé							
			2 caméras	4 caméras	6 caméras	8 caméras	10 caméras	12 caméras	14 caméras	16 caméras
3H	30.00	0.033	0.07	0.13	0.20	0.27	0.33	0.40	0.47	0.53
9H	10.00	0.100	0.20	0.40	0.60	0.80	1.00	1.20	1.40	1.60
12H	6.00	0.167	0.33	0.67	1.00	1.33	1.67	2.00	2.33	2.67
18H	4.29	0.233	0.47	0.93	1.40	1.87	2.33	2.80	3.27	3.73
24H	3.33	0.300	0.60	1.20	1.80	2.40	3.00	3.60	4.20	4.80
48H	1.76	0.567	1.13	2.27	3.40	4.53	5.67	6.80	7.93	9.07
72H	1.20	0.833	1.67	3.33	5.00	6.67	8.33	10.00	11.67	13.33
96H	0.91	1.100	2.20	4.40	6.60	8.80	11.00	13.20	15.40	17.60
120H	0.73	1.367	2.73	5.47	8.20	10.93	13.67	16.40	19.13	21.87
180H	0.49	2.033	4.07	8.13	12.20	16.27	20.33	24.40	28.47	32.53
240H	0.37	2.700	5.40	10.80	16.20	21.60	27.00	32.40	37.80	43.20
360H	0.25	4.033	8.07	16.13	24.20	32.27	40.33	48.40	56.47	64.53
480H	0.19	5.367	10.73	21.47	32.20	42.93	53.67	64.40	75.13	85.87
960H	0.09	10.700	21.40	42.80	64.20	85.60	107.00	128.40	149.80	171.20

Mode qualité d'image standard (enregistrement de trames)

Mode de temps d'enregistrement	No. de trames à enregistrer par seconde	Temps pris pour la commutation de caméra (secondes)	Temps pris pour que le cycle d'enregistrement revienne à la première caméra pour le nombre de caméras raccordé							
			2 caméras	4 caméras	6 caméras	8 caméras	10 caméras	12 caméras	14 caméras	16 caméras
3H	30.00	0.033	0.07	0.13	0.20	0.27	0.33	0.40	0.47	0.53
9H	20.00	0.050	0.10	0.20	0.30	0.40	0.50	0.60	0.70	0.80
12H	12.00	0.083	0.17	0.33	0.50	0.67	0.83	1.00	1.17	1.33
18H	8.57	0.117	0.23	0.47	0.70	0.93	1.17	1.40	1.63	1.87
24H	6.67	0.150	0.30	0.60	0.90	1.20	1.50	1.80	2.10	2.40
48H	3.53	0.283	0.57	1.13	1.70	2.27	2.83	3.40	3.97	4.53
72H	2.40	0.417	0.83	1.67	2.50	3.33	4.17	5.00	5.83	6.67
96H	1.82	0.550	1.10	2.20	3.30	4.40	5.50	6.60	7.70	8.80
120H	1.46	0.683	1.37	2.73	4.10	5.47	6.83	8.20	9.57	10.93
180H	0.98	1.017	2.03	4.07	6.10	8.13	10.17	12.20	14.23	16.27
240H	0.74	1.350	2.70	5.40	8.10	10.80	13.50	16.20	18.90	21.60
360H	0.50	2.017	4.03	8.07	12.10	16.13	20.17	24.20	28.23	32.27
480H	0.37	2.683	5.37	10.73	16.10	21.47	26.83	32.20	37.57	42.93
960H	0.19	5.350	10.70	21.40	32.10	42.80	53.50	64.20	74.90	85.60

<Remarques>

- Le temps d'enregistrement effectif peut être légèrement plus long que le temps indiqué par le mode de temps d'enregistrement.
- En mode enregistrement d'image, la commutation des caméras prend deux fois plus de temps.
- Si le mode de temps d'enregistrement est réglé à 3H, l'enregistrement s'effectue automatiquement en mode haute qualité d'image même si le mode qualité standard a été validé.

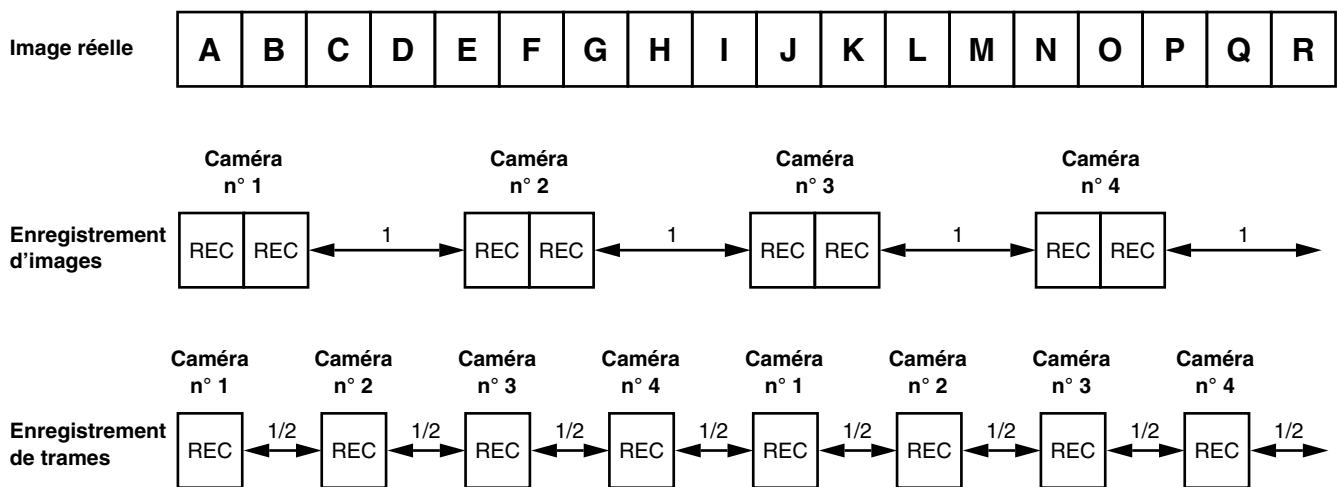
Enregistrement d'images et enregistrement de trames

Lors d'un enregistrement de trames, l'image de l'une des caméras est enregistrée en deux trames, et à l'issue d'un intervalle de temps fixe, l'image de la caméra suivante est enregistrée.

Lors d'un enregistrement d'images, l'image de l'une des caméras est enregistrée en une trame, et à l'issue de la moitié de l'intervalle d'enregistrement d'images, l'image de la caméra suivante est enregistrée.

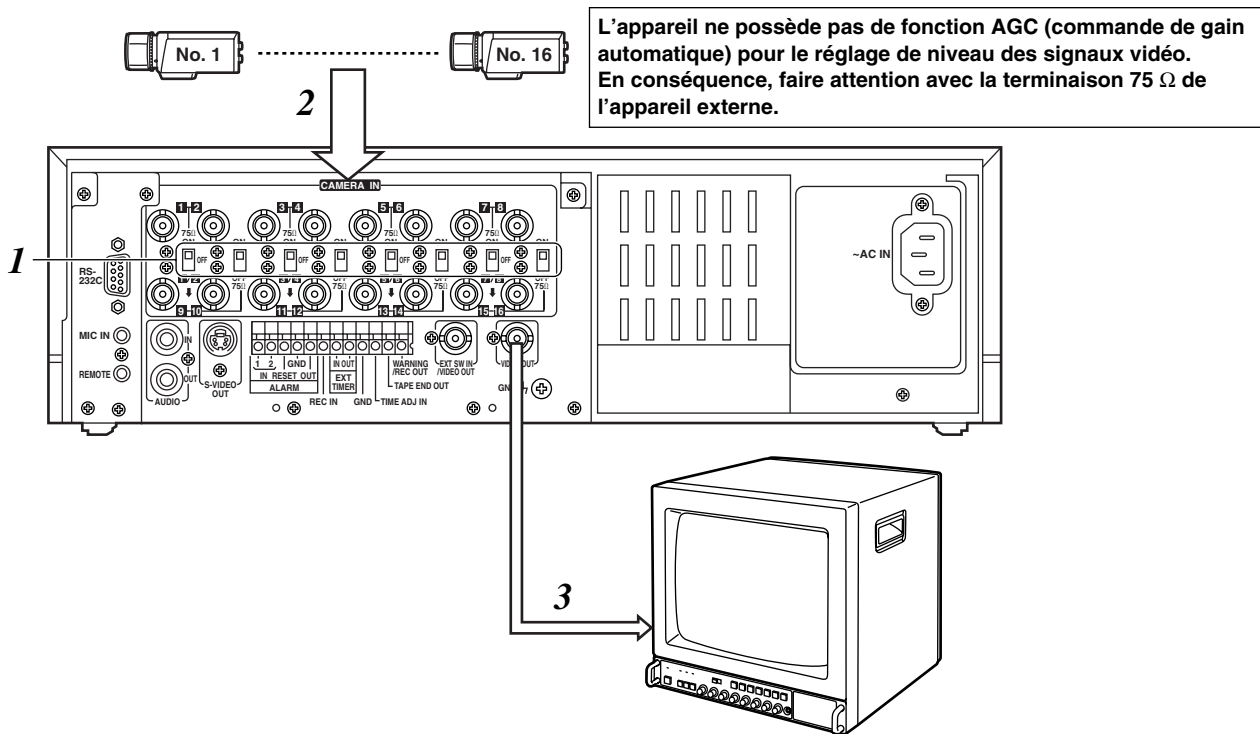
Les écarts entre les images enregistrées sont plus courts, ce qui permet de commuter les caméras deux fois plus rapidement que pour l'enregistrement d'images.

Exemple de raccordement des caméras 1 à 4



Raccordements

Exemple de raccordement permettant la commutation entre 16 caméras pendant l'enregistrement



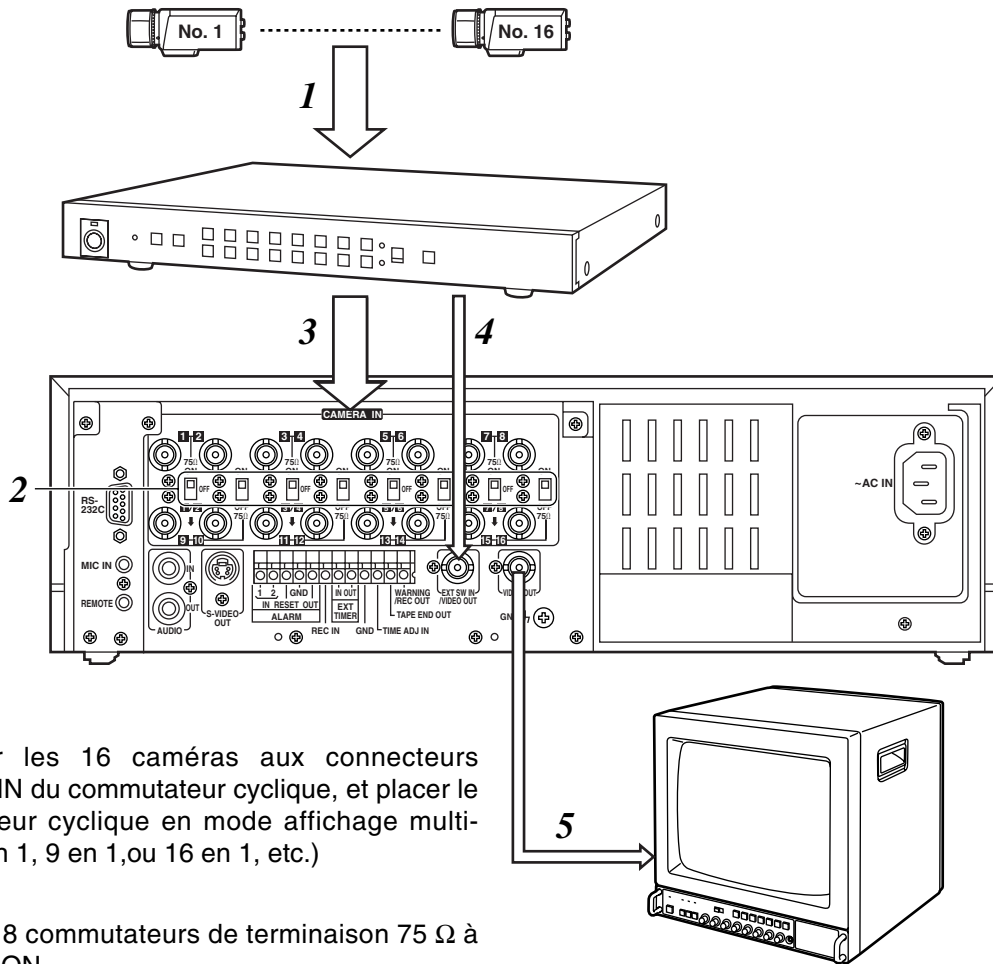
- 1** Placer tous les commutateurs de terminaison 75 Ω à la position ON.
- 2** Raccorder les 16 caméras aux connecteurs CAMERA IN **1** à **16**.
- 3** Raccorder le moniteur télé au connecteur VIDEO OUT.

<Remarques>

- Lors du raccordement de caméras verrouillées en ligne, sélectionner ON à la rubrique LL CAMERA du menu de réglage de l'écran P7 VIDEO OUT SEQUENCE.
Les images du moniteur télé sauteront de façon fractionnaire : ceci est normal.
- L'appareil ne renferme pas de circuit de compensation. Installer un compensateur si la longueur totale des câbles (coaxiaux 3C-2V) de raccordement des caméras dépasse 200 mètres.
Il n'est pas nécessaire d'installer un compensateur si la longueur totale est inférieure à 400 mètres lorsque des câbles coaxiaux (5C-2V) à perte de transmission minimale sont utilisés.

Raccordements

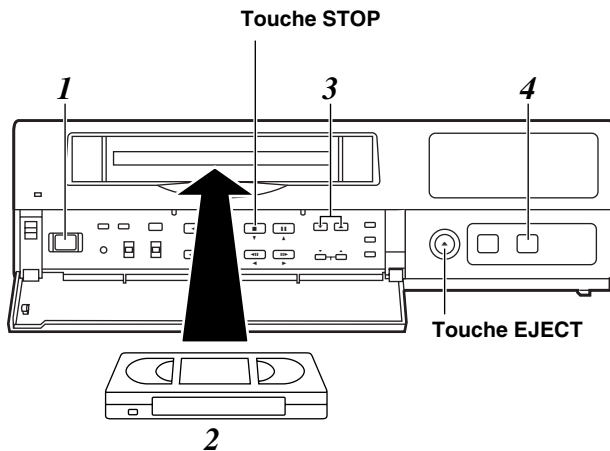
Lors de l'utilisation d'un commutateur cyclique pendant l'enregistrement pour envoyer plus d'une image d'écran au moniteur télé



- 1** Raccorder les 16 caméras aux connecteurs CAMERA IN du commutateur cyclique, et placer le commutateur cyclique en mode affichage multi-écran (4 en 1, 9 en 1, ou 16 en 1, etc.)
- 2** Placer les 8 commutateurs de terminaison 75 Ω à la position ON.
- 3** Raccorder les 16 caméras aux connecteurs CAMERA IN **1** à **16** de l'appareil.
- 4** Raccorder la sortie vidéo du commutateur cyclique au connecteur EXT SW IN/VIDEO OUT de l'appareil.
- 5** Raccorder le moniteur télé au connecteur VIDEO OUT de l'appareil.
- 6** Sélectionner EXT SW IN à la rubrique MODE du menu de réglage de l'écran P7 EXT SWITCHER. Les images multiples réglées par le commutateur cyclique sont visionnées sur le moniteur télé dans tous les modes à l'exception du mode lecture.

Enregistrement

Procéder à l'enregistrement après avoir effectué les raccordements et les étapes des sections "Réglage de la date et de l'heure" (page 11) et "Réglage du mode de temps d'enregistrement et du nombre de caméras" (page 14).



1 Placer l'interrupteur à la position ON. Lorsque le contact est établi, le voyant POWER s'éclaire et l'avertisseur sonore retentit une fois.

2 Insérer la cassette. Appuyer sur la touche EJECT pour éjecter la cassette. La touche ne fonctionnera pas si elle n'est pas pressée à fond.

<Remarque>

Toujours utiliser des cassettes S-VHS. Si une cassette VHS est insérée, elle s'éjectera automatiquement lorsque la touche REC sera pressée. La cassette s'éjectera également si la touche REC est pressée alors que la languette de prévention d'effacement accidentel est brisée.

L'appareil est conçu pour délivrer le haut niveau de fiabilité requis des magnétoscopes à temps échelonné utilisés dans les applications de surveillance, de sécurité et de contrôle. Pour garantir la totale fiabilité de fonctionnement de l'appareil lors des opérations d'enregistrement, il est recommandé d'utiliser la cassette vidéo Panasonic suivante :
Cassette S-VHS: Série ST-120 (cassette de 120 minutes)

3 Appuyer sur les touches TIME MODE pour régler le mode de temps d'enregistrement.

4 Appuyer sur la touche REC. L'enregistrement débute dans le mode de temps d'enregistrement réglé et avec les caméras réglées commutant automatiquement. Pour arrêter l'enregistrement, appuyer sur la touche STOP.

Si 8 caméras sont utilisées, sélectionner "N" (Non) pour C9—C16 dans les colonnes de réglage de caméra RT0 (CAMERA SELECT) du menu affiché à l'écran P3 RECORDING T-MODE & CAMERA.

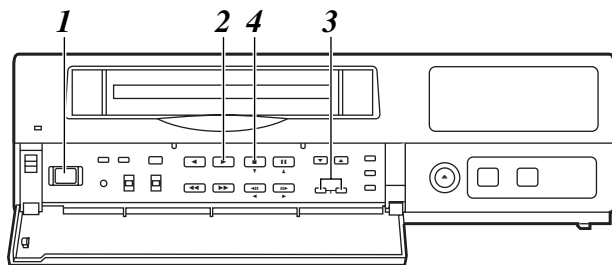
[RECORDING T-MODE & CAMERA]		P3																
REC T-	C.	(CAMERA SELECT)																
TYPE	MODE	NO	C1	C3	C5	C7	C9	C11	C13	C15	C2	C4	C6	C8	C10	C12	C14	C16
RT0	OFF*	8	Y	Y	Y	Y	N	N	N	N								
RT1	OFF*	16	Y	Y	Y	Y	Y	Y	Y	Y								
RT2	OFF*	16	Y	Y	Y	Y	Y	Y	Y	Y								
RT3	OFF*	16	Y	Y	Y	Y	Y	Y	Y	Y								
RT4	OFF*	16	Y	Y	Y	Y	Y	Y	Y	Y								
RT5	OFF*	16	Y	Y	Y	Y	Y	Y	Y	Y								
RT6	OFF*	16	Y	Y	Y	Y	Y	Y	Y	Y								
RT7	OFF*	01	C1															

Y: YES N: NO

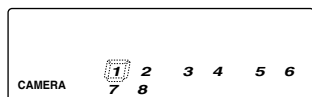
Pour effectuer constamment l'enregistrement dans le même mode de temps d'enregistrement, au lieu de régler le mode avec la touche TIME MODE, régler RT1 à RT7 à la rubrique REC TYPE du menu de réglage de l'écran P3 RECORDING T-MODE & CAMERA, et régler le type REC TYPE (RT1 à RT7) à utiliser pour l'enregistrement à la rubrique REC TYPE du menu de réglage de l'écran P4 RECORDING MODE. Sélectionner RT7 pour utiliser une seule caméra pour l'enregistrement. Ceci permet d'enregistrer les images de la caméra raccordée au connecteur d'entrée de caméra **1**.

Lecture

Lecture normale



- 1 Placer l'interrupteur à la position ON et insérer la cassette.
- 2 Appuyer sur la touche PLAY pour débuter la lecture.
Si 8 caméras sont utilisées, les numéros des 8 caméras s'affichent au registre de numéro de caméra, et le numéro de la caméra dont les images sont lues est entouré d'un cadre.

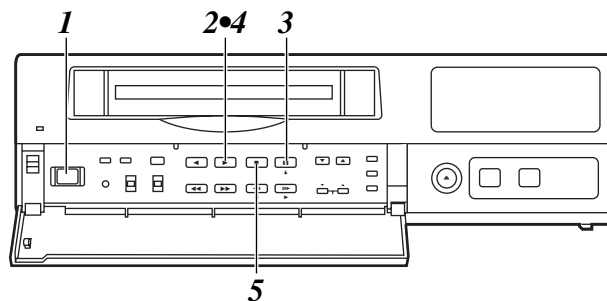


- 3 Appuyer sur les touches CAMERA pour régler la caméra de lecture.
- 4 Pour arrêter la lecture, appuyer sur la touche STOP.

<Remarque>

Si du bruit vidéo dans les blocs brouille la lecture, appuyer sur la touche de pistage (+) ou (-) jusqu'à ce que le bruit soit éliminé.

Arrêt sur image



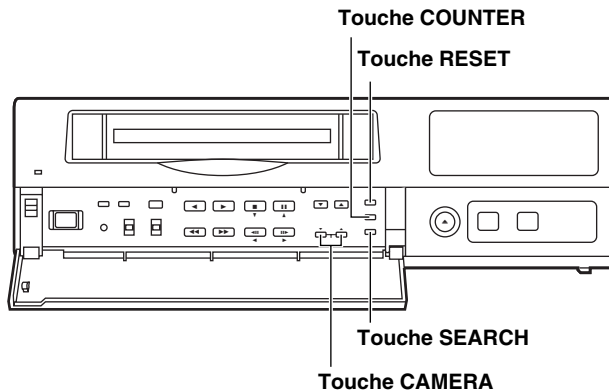
- 1 Placer l'interrupteur à la position ON et insérer la cassette.
- 2 Appuyer sur la touche PLAY pour débuter la lecture.
- 3 Appuyer sur la touche PAUSE/STILL.
L'appareil passe en mode arrêt sur image.
(Lorsque la touche avance image par image est pressée en mode arrêt sur image, le ruban est lu une image à la fois.)
- 4 Appuyer de nouveau sur la touche PLAY pour revenir à la lecture normale.
- 5 Pour arrêter la lecture, appuyer sur la touche STOP.

<Remarque>

Si la commutation est effectuée sur les caméras n° 13 à 16 pendant un arrêt sur image d'un ruban enregistré en images sur les caméras n° 13 à 16, des signaux de fond d'écran bleu sont envoyés.

Commutation de l'affichage à l'écran

Commutation de l'affichage à l'écran pendant la lecture



Commutation entre l'affichage 1 écran et l'affichage 4 écrans

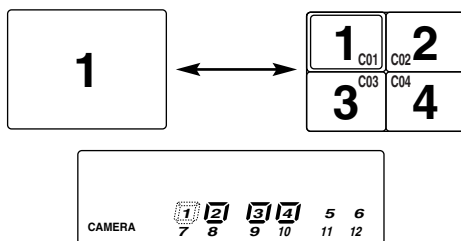
1 Pendant la lecture, un écran s'affiche sur le moniteur télé.



2 Appuyer sur la touche COUNTER pour valider le mode affichage du numéro de caméra.

3 Appuyer sur la touche RESET pour passer à l'affichage 4 écrans.

A chaque pression sur la touche RESET, l'affichage passe alternativement entre 1 écran et 4 écrans.



Quatre numéros de caméra sont entourés d'un cadre à l'affichage de numéro de caméra du registre, et le cadre correspondant au numéro de la caméra sélectionnée clignote. Par ailleurs, les numéros de caméra (C01/C02/C03/C04) s'affichent au centre du moniteur télé.

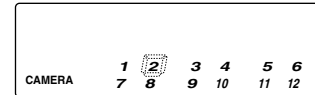
<Remarque>

Il n'est pas possible de passer à l'affichage 4 écrans lors de la lecture d'un ruban enregistré en images avec les caméras n° 13 à 16.

Commutation des caméras

En mode affichage 1 écran

Il est possible de contrôler les images enregistrées par une caméra spécifique en appuyant sur la touche CAMERA pendant la lecture.



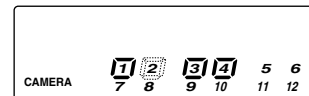
En mode affichage 4 écrans

Lors du contrôle des images enregistrées par une caméra spécifique sur les quatre écrans du mode affichage 4 écrans

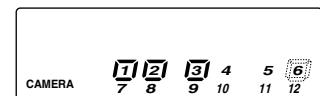
1 Appuyer sur la touche SEARCH pour aller à l'écran entouré d'une bordure blanche.



2 Appuyer sur la touche CAMERA pour valider cette caméra.



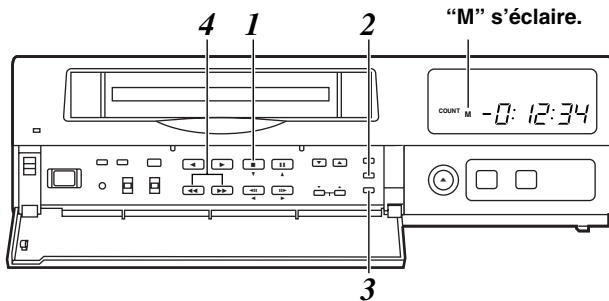
3 Répéter les étapes 1 et 2 pour valider les caméras des autres écrans.



Fonctions utiles

Arrêt mémorisé

Avec cette fonction, le ruban se rebobine ou il avance en accéléré jusqu'à la position "00:00:00" du compteur, puis l'appareil passe automatiquement en mode arrêt si une opération ordinaire est effectuée.



- 1** Appuyer sur la touche STOP pour placer l'appareil en mode arrêt.
- 2** Appuyer sur la touche COUNTER pour valider le mode affichage du compteur.
- 3** Appuyer sur la touche SEARCH.
Vérifier que "M" est éclairé au registre et que le mode arrêt mémorisé est établi.
Appuyer de nouveau sur la touche SEARCH si "AS" est éclairé.
- 4** Appuyer sur la touche REW si les chiffres du compteur sont supérieurs à "00:00:00" ; et inversement, appuyer sur la touche FF s'ils sont inférieurs à "00:00:00" (valeur négative).
- 5** Les chiffres du compteur approchent de "00:00:00", et le ruban passe automatiquement en mode arrêt.

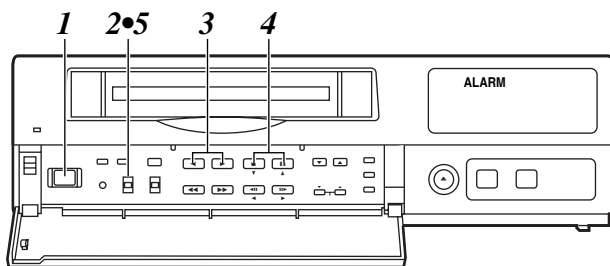
Enregistrement déclenché sur signal d'alarme et enregistrement déclenché par senseur (urgence)

Enregistrement déclenché sur signal d'alarme

Cette fonction valide l'enregistrement avec les changements apportés au mode de temps et/ou aux caméras pour l'enregistrement lorsqu'un signal d'alarme est reçu pendant l'enregistrement (pour les détails sur les raccordements d'enregistrement déclenché sur signal d'alarme, voir page 35).

Enregistrement déclenché par senseur (urgence)

Cette fonction valide l'enregistrement avec les changements apportés au mode de temps et/ou aux caméras pour l'enregistrement dès qu'un signal d'alarme est reçu, même si le contact est coupé.



1 Placer l'interrupteur POWER à la position ON et insérer la cassette.

2 Placer le commutateur PROGRAM à la position MENU.
L'écran du menu de réglage apparaît sur le moniteur télé.

3 Appuyer sur la touche PAGE (+) ou PAGE (-) pour afficher l'écran P4 ALARM/SENSOR REC.
Les rubriques qui clignotent peuvent être réglées.

[RECORDING MODE]		P4
FIELD/FRAME	FIELD	
PICTURE QUALITY	HIGH	
REC-TYPE	RT0 (OFF*16)	
[ALARM/SENSOR REC]		
MODE	OFF	
FIELD/FRAME	FIELD	
PICTURE QUALITY	HIGH	
DURATION	0.5min	
BUZZER	OFF	
REPEAT	OFF	
GROUP ALARM1	RT0 (OFF*16)	
GROUP ALARM2	RT0 (OFF*16)	

4 Effectuer les étapes suivantes pour régler le mode d'enregistrement à valider lorsqu'un signal d'alarme est reçu.

- Utiliser les touches SHIFT (▼) et (▲) pour amener la section clignotante sur la rubrique dont le paramètre doit être modifié.
- Appuyer sur les touches SET (+) et (-) pour régler le paramètre.

<Remarques>

- L'enregistrement déclenché sur signal d'alarme et l'enregistrement déclenché par senseur (urgence) se sélectionnent à l'aide de la rubrique MODE.
Sélectionner OFF pour la rubrique MODE si l'enregistrement ne doit pas être effectué lors de l'entrée d'un signal d'alarme.
- Le temps d'enregistrement (DURATION) se règle entre 30 secondes et 10 minutes : CONTINUE (jusqu'à la fin du ruban) ou MANUAL (pendant l'entrée du signal d'alarme).

5 Lorsque les réglages sont terminés, placer le commutateur PROGRAM à la position OFF.
L'écran du menu de réglage s'efface sur le moniteur télé, et le mode normal revient.

Fonctions utiles

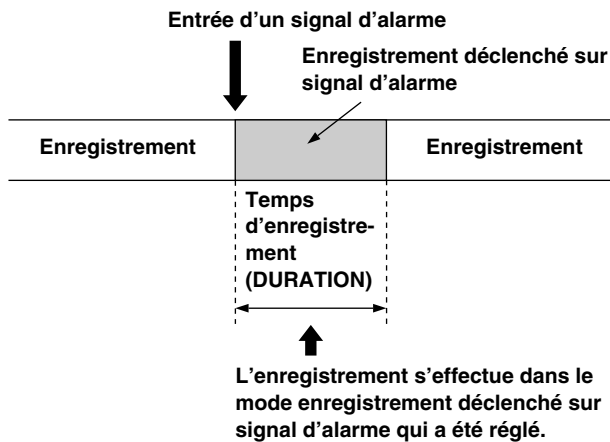
Si ALARM a été sélectionné comme paramètre de la rubrique MODE

Appuyer sur la touche REC pour débiter l'enregistrement.

Le mode enregistrement déclenché sur signal d'alarme est validé lorsqu'un signal d'alarme est reçu. Lorsque l'enregistrement déclenché sur signal d'alarme a débuté, "ALARM" clignote au registre.

Si la touche STOP est pressée, l'affichage disparaît et l'enregistrement s'arrête.

- Si OFF ou SENSOR ont été sélectionnés pour la rubrique MODE à l'écran de menu P4 ALARM/SENSOR REC, l'enregistrement déclenché sur signal d'alarme ne fonctionne pas.



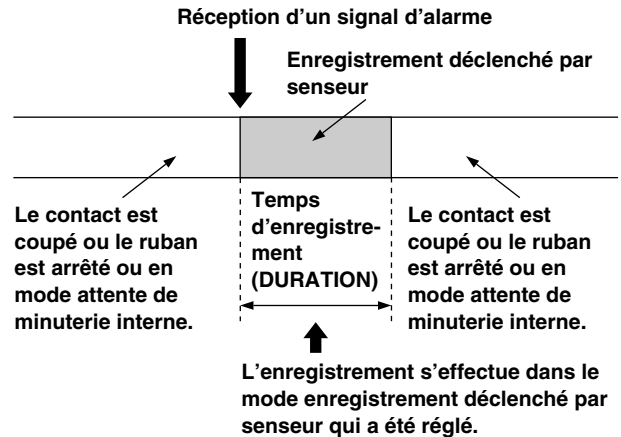
<Remarque>

Lorsque l'enregistrement déclenché sur signal d'alarme est terminé, l'appareil revient au fonctionnement en vigueur avant la réception du signal d'alarme.

Si SENSOR a été sélectionné comme paramètre de la rubrique MODE

L'enregistrement déclenché par capteur débute dès qu'un signal est reçu, même si le contact est coupé ou que le ruban est arrêté.

- Si OFF ou ALARM ont été sélectionnés pour la rubrique MODE à l'écran de menu P4 ALARM/SENSOR REC, l'enregistrement déclenché par capteur ne fonctionne pas.



<Remarque>

Lorsque l'enregistrement déclenché par capteur est terminé, l'appareil revient au fonctionnement en vigueur avant la réception du signal d'alarme.

Si ALARM/SENSOR a été sélectionné comme paramètre à la rubrique MODE

Les deux enregistrements, enregistrement déclenché sur signal d'alarme et enregistrement déclenché par capteur, s'effectuent.

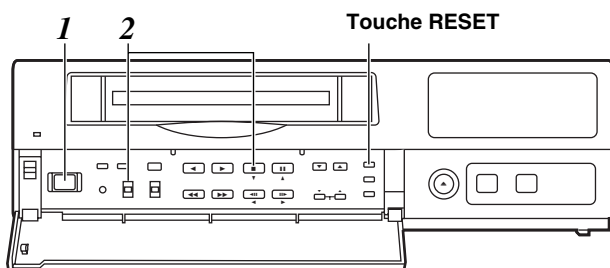
Si un signal d'alarme est reçu pendant l'enregistrement, le mode enregistrement déclenché sur signal d'alarme est validé et, si le signal d'alarme est reçu alors que le contact est coupé ou le ruban arrêté, l'enregistrement déclenché par capteur débute.

Fonctions utiles

Rappel des enregistrements sur alarme et rappel des pannes d'alimentation en mémoire

Le rappel des enregistrements sur alarme est une fonction qui mémorise la date/heure et le nombre de déclenchements des enregistrements déclenchés sur signal d'alarme et des enregistrements déclenchés par senseur.

Le rappel des pannes d'alimentation en mémoire est une fonction qui mémorise la date/heure et le nombre de fois où l'alimentation principale a été coupée, sous l'effet d'une coupure de courant par exemple.



1 Placer l'interrupteur POWER à la position ON.

2 Placer le commutateur PROGRAM à la position MENU tout en maintenant la touche STOP pressée. L'écran ALARM RECALL et l'écran POWER LOSS MEMORY s'affichent.

Le nombre d'alarmes et la date/heure où les signaux d'alarme ont été reçus s'affichent à l'écran ALARM RECALL.

Le nombre de fois où l'alimentation principale a été coupée et la date/heure où cela s'est produit s'affichent à l'écran POWER LOSS MEMORY. (Les données s'affichent dans l'ordre chronologique avec les données les plus récentes en haut de l'écran.)

[ALARM RECALL]		
29	12 - 30 - 2000	3:15
28	12 - 04 - 2000	12:10
27	10 - 25 - 2000	2:20
26	9 - 10 - 2000	2:30
25	8 - 11 - 2000	6:55
24	5 - 10 - 2000	3:22
23	4 - 11 - 2000	6:55
22	3 - 10 - 2000	3:22
[POWER LOSS MEMORY]		
14	12 - 01 - 2000	12:00
13	10 - 05 - 2000	10:30
12	08 - 10 - 2000	9:20
11	3 - 02 - 2000	7:00

L'affichage suivant apparaît si aucun enregistrement déclenché sur signal d'alarme n'a été effectué ou si l'alimentation principale n'a pas été coupée.

[ALARM RECALL]		
**	**--**--****	**:**
**	**--**--****	**:**
**	**--**--****	**:**
**	**--**--****	**:**
**	**--**--****	**:**
**	**--**--****	**:**
**	**--**--****	**:**
**	**--**--****	**:**
[POWER LOSS MEMORY]		
**	**--**--****	**:**
**	**--**--****	**:**
**	**--**--****	**:**
**	**--**--****	**:**

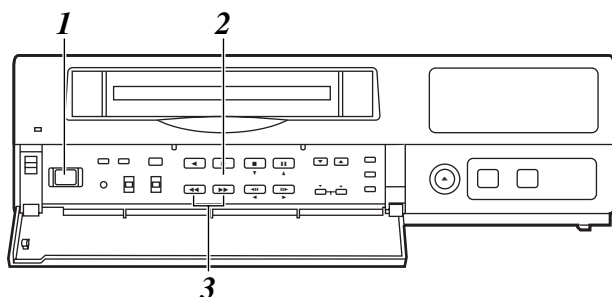
<Remarques>

- Il est possible d'afficher jusqu'à 8 alarmes à l'écran ALARM RECALL, et 4 pannes d'alimentation à l'écran POWER LOSS MEMORY.
- Il est possible de mémoriser jusqu'à 99 alarmes et 99 pannes d'alimentation. Si le chiffre 99 est dépassé, le compte revient à "00".
- Comme pour les enregistrements déclenchés sur signal d'alarme, les enregistrements déclenchés par senseur sont mémorisés comme données d'enregistrements d'alarme.
- Les données des enregistrements sur alarme et des pannes d'alimentation en mémoire sont mémorisés dans les circuits de mémoire internes de l'appareil. Elles ne sont pas enregistrées sur le ruban.
- Si le commutateur PROGRAM est placé à une position autre que MENU, les affichages de l'écran ALARM RECALL et de l'écran POWER LOSS MEMORY s'effacent.
- Si la touche RESET est pressée alors que l'écran ALARM RECALL est affiché, la mémoire s'efface, mais l'écran POWER LOSS MEMORY ne s'efface pas.

[ALARM RECALL]		
**	**--**--****	**:**
**	**--**--****	**:**
**	**--**--****	**:**
**	**--**--****	**:**
**	**--**--****	**:**
**	**--**--****	**:**
**	**--**--****	**:**
**	**--**--****	**:**
[POWER LOSS MEMORY]		
14	12 - 01 - 2000	12:00
13	10 - 05 - 2000	10:30
12	08 - 10 - 2000	9:20
11	3 - 02 - 2000	7:00

Fonctions utiles

Lecture de repérage (repérage/révision)

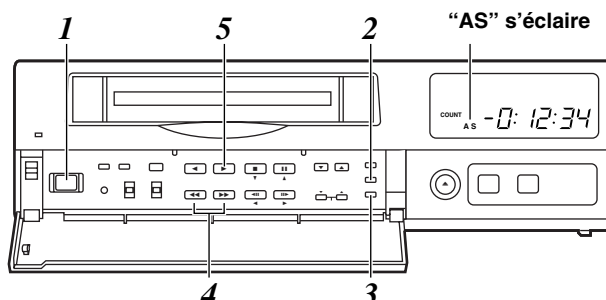


- 1 Placer l'interrupteur POWER à la position ON et insérer la cassette.
- 2 Appuyer sur la touche PLAY pour débuter la lecture.
- 3 Appuyer sur la touche FF ou sur la touche REW. L'appareil effectue une lecture de repérage (repérage ou révision) tout le temps que la touche FF ou la touche REW sont maintenues pressées. La lecture normale revient lorsque la touche FF ou la touche REW sont relâchées.

<Remarques>

- Pendant une lecture de repérage avec un ruban enregistré en images sur les caméras n° 13 à 16, les images enregistrées sur toutes les caméras sont mélangées et envoyées, même si une caméra spécifique a été sélectionnée.
- L'image devient passablement floue si une lecture de repérage en mode qualité d'image standard est effectuée sur un ruban enregistré en trames. Ceci est normal.

Repérage des enregistrements de surveillance (repérage des sections d'enregistrement déclenché sur signal d'alarme)



- 1 Placer l'interrupteur POWER à la position ON, et insérer la cassette renfermant l'enregistrement déclenché sur signal d'alarme.
- 2 Appuyer sur la touche COUNTER pour valider le mode affichage du compteur.
- 3 Appuyer sur la touche SEARCH. Vérifier que "AS" est éclairé au registre et que le mode repérage d'enregistrements de surveillance est établi. Appuyer de nouveau sur la touche SEARCH si "M" est éclairé.
- 4 Lorsque l'appareil est en mode arrêt, avance accélérée ou rebobinage, appuyer sur la touche REW ou FF. La section du premier enregistrement déclenché sur signal d'alarme est repérée dans la direction correspondant à la touche pressée, puis l'appareil passe en mode arrêt sur image.
- 5 Pour lire la section, appuyer sur la touche PLAY.

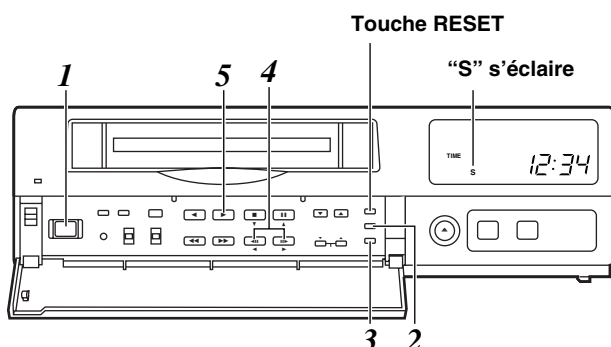
<Remarques>

- Pour libérer le mode repérage d'enregistrements de surveillance, appuyer de nouveau sur la touche SEARCH de façon à effacer "AS" du registre.
- La fonction de repérage d'enregistrements de surveillance ne permet de repérer que les sections renfermant des enregistrements déclenchés sur signal d'alarme qui ont été enregistrés pendant plus de 30 secondes en mode de temps d'enregistrement de 3 heures, 9 heures, 12 heures, 18 heures ou 24 heures.
- Si la touche FF ou la touche REW sont pressées pendant la lecture, la lecture de repérage (repérage ou révision) débute, et même si la touche est libérée, la lecture de repérage se poursuit si l'appareil est en mode repérage d'enregistrements de surveillance.

Fonctions utiles

Repérage d'heure/date

Cette fonction permet de repérer une section d'enregistrement en spécifiant sa date et son heure.



1 Placer l'interrupteur POWER à la position ON et insérer la cassette.

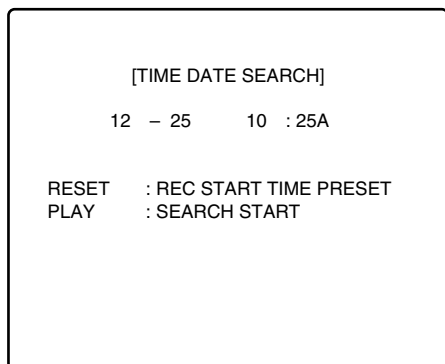
2 Appuyer sur la touche COUNTER pour valider le mode d'affichage de temps.

3 Appuyer sur la touche SEARCH.
"S" s'éclaire au registre, et l'écran TIME DATE SEARCH apparaît sur le moniteur télé.

L'heure à laquelle l'enregistrement s'est terminé s'affiche à l'écran TIME DATE SEARCH.

Pendant la lecture du ruban, la date et l'heure enregistrées sur le ruban s'affichent.

Si la touche RESET est alors pressée, l'affichage passe à l'heure à laquelle l'enregistrement a débuté.



4 Effectuer les étapes ci-dessous pour repérer la date et l'heure.

- Utiliser les touches SHIFT (◀) et (▶) pour amener la section clignotante sur la rubrique dont le paramètre doit être modifié.
- Appuyer sur les touches SET (+) et (-) pour entrer les chiffres.

5 Appuyer sur la touche PLAY ou sur la touche REV PLAY.

Le repérage de la section d'enregistrement de la date et de l'heure spécifiées débute.

<Remarques>

- Le ruban s'arrête quand il arrive à la fin ou au début si aucune section renfermant la date et l'heure spécifiées n'a été trouvée.

- Lorsque le ruban est arrêté pendant l'enregistrement, il s'arrête à la bordure entre le nouvel enregistrement et l'ancien, et la continuité de la date et de l'heure enregistrées sur le ruban est perdue.

Dans cet état, les repérages ne s'effectuent pas correctement.

Si la date ou l'heure à repérer se trouvent sur la section nouvellement enregistrée, il est recommandé de presser la touche REV PLAY.

Ce faisant, le ruban revient un peu en marche arrière, les données de date et d'heure sont chargées, et le repérage s'effectue en utilisant ces données comme référence.

6 Pour annuler le mode repérage d'heure/date, appuyer sur n'importe quelle touche de fonction.

Fonctions utiles

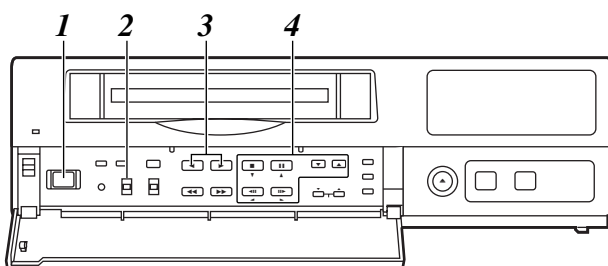
Enregistrement par minuterie interne

Il est possible de débiter et de terminer l'enregistrement aux heures réglées sur la minuterie interne.

<Remarque>

Avant de régler l'enregistrement par minuterie interne, effectuer tous les raccordements ainsi que les étapes des sections "Réglage de la date et de l'heure" (page 11) et "Réglage du mode de temps d'enregistrement et du nombre de caméras" (page 14).

Mémorisation des programmes d'enregistrement par minuterie interne



1 Placer l'interrupteur POWER à la position ON et insérer la cassette.

2 Placer le commutateur PROGRAM à la position MENU.
L'écran du menu de réglage apparaît sur le moniteur télé.

3 Appuyer sur la touche PAGE (+) ou PAGE (-) pour afficher l'écran P8 PROGRAM TIMER.
Les rubriques qui clignotent peuvent être réglées.

[PROGRAM TIMER]				P8
(TIMER)	START	END	REC-TYPE	
PGM1	0:00	0:00	RT0 (OFF*16)	
PGM2	0:00	0:00	RT0 (OFF*16)	
PGM3	0:00	0:00	RT0 (OFF*16)	
PGM4	0:00	0:00	RT0 (OFF*16)	
PGM5	0:00	0:00	RT0 (OFF*16)	
PGM6	0:00	0:00	RT0 (OFF*16)	
PGM7	0:00	0:00	RT0 (OFF*16)	
PGM8	0:00	0:00	RT0 (OFF*16)	

[INTERNAL WEEKLY TIMER]							
(SUN)	MON	TUE	WED	THU	FRI	SAT	DLY
***	***	***	***	***	***	***	***
***	***	***	***	***	***	***	***

(TIMER)

Mémoriser les programmes (PGM1-PGM8) dans cette colonne pour les enregistrer avec la minuterie interne.

START

Régler les heures de début d'enregistrement dans cette colonne.

END

Régler les heures de fin d'enregistrement dans cette colonne.

REC-TYPE

Régler le type d'enregistrement (RT0 à RT7) dans cette colonne.

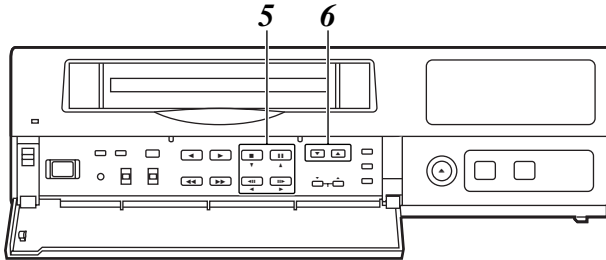
4 Effectuer les étapes suivantes pour régler le mode d'enregistrement par minuterie.

- Utiliser les touches SHIFT (▼), (▲), (◀) et (▶) pour amener la section clignotante sur la rubrique dont le paramètre doit être modifié.
- Appuyer sur les touches SET (+) et (-) pour régler le paramètre.

Fonctions utiles

Minuterie hebdomadaire

Cette fonction permet d'effectuer l'enregistrement pour la durée programmée toutes les semaines le même jour et à la même heure.



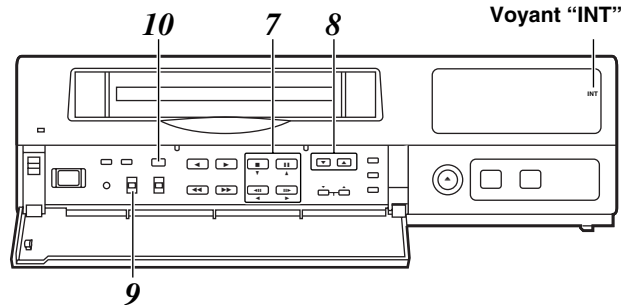
5 Utiliser les touches SHIFT (▼), (▲), (◀) et (▶) pour amener la section clignotante sur la rubrique jour de la semaine (SUN à SAT) à l'écran INTERNAL WEEKLY TIMER.

6 Appuyer sur les touches SET (+) et (-) et régler les programmes (PGM1-PGM8) à enregistrer à l'écran PROGRAM TIMER pour les jours de la semaine en question.

- Il est possible de régler deux programmes chaque—l'un sur la ligne du haut et l'autre sur la ligne du bas) pour chaque jour de la semaine. Laisser "***" tel quel là où aucun programme ne doit être réglé.
- Si la zone de temps programmée chevauche sur une autre zone le même jour, c'est le programme de la ligne du haut qui a priorité.

Minuterie quotidienne

Cette fonction permet d'effectuer l'enregistrement pour la durée programmée tous les jours à la même heure.



7 Utiliser les touches SHIFT (▼), (▲), (◀) et (▶) pour amener la section clignotante sur la rubrique DLY.

8 Comme pour la fonction de minuterie hebdomadaire, appuyer sur les touches SET (+) et (-) et régler les programmes (PGM1-PGM8) à enregistrer à l'écran PROGRAM TIMER.

9 Lorsque les réglages sont terminés, placer le commutateur PROGRAM à la position OFF. L'écran du menu de réglage s'efface sur le moniteur télé, et le mode normal revient.

10 Appuyer sur la touche TIMER MODE du panneau avant et la régler sur le mode d'enregistrement par minuterie interne (le voyant "INT" s'éclaire au registre).

<Remarques>

- Si la cassette insérée n'a plus sa languette de prévention d'effacement accidentel, l'avertisseur sonore retentit et le voyant INT clignote.
- Pour libérer le mode enregistrement par minuterie interne, appuyer sur la touche TIMER MODE et éteindre le voyant INT sur le registre.

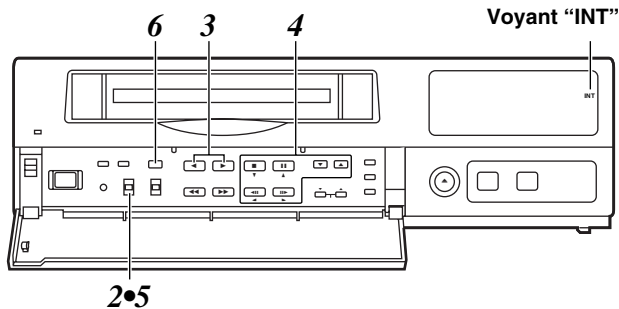
<Remarque>

Si la zone de temps programmée pour la minuterie quotidienne chevauche sur une zone de temps programmée pour la minuterie hebdomadaire, c'est la minuterie hebdomadaire qui a priorité.

Fonctions utiles

Minuterie à réglage libre

L'enregistrement débute pour la durée programmée à la date où il a été réglé.



1 Régler la minuterie hebdomadaire ou la minuterie quotidienne.

2 Placer le commutateur PROGRAM à la position MENU.
L'écran du menu de réglage apparaît sur le moniteur télé.

3 Appuyer sur la touche PAGE (+) ou PAGE (-) pour afficher l'écran P9 FREE SET TIMER.
Les rubriques qui clignotent peuvent être réglées.

[FREE SET TIMER]				P9
	MONTH	DAY	SET	
1)	** - **	**	*****	
2)	** - **	**	*****	
3)	** - **	**	*****	
4)	** - **	**	*****	
5)	** - **	**	*****	
6)	** - **	**	*****	
7)	** - **	**	*****	
8)	** - **	**	*****	
9)	** - **	**	*****	
10)	** - **	**	*****	
11)	** - **	**	*****	
12)	** - **	**	*****	

MONTH

Régler le mois (1-12, **) de la date désirée dans cette colonne.

Régler "**" s'il n'est pas nécessaire de mémoriser le mois.
"**-**-*****" apparaît pour MONTH, DAY et SET.

DAY

Régler le jour (1-31) de la date désirée dans cette colonne.

SET

Régler le programme qui doit être réglé pour la minuterie hebdomadaire.

SUN-SAT, P_OFF (mode POWER OFF toute la journée)

<Remarque>

Il est possible de régler des dates pour douze jours pour la minuterie à réglage libre.

4 Effectuer les étapes suivantes pour régler le mode d'enregistrement par minuterie.

- Utiliser les touches SHIFT (▼), (▲), (◀) et (▶) pour amener la section clignotante sur la rubrique dont le paramètre doit être modifié.
- Appuyer sur les touches SET (+) et (-) pour modifier le réglage.

5 Lorsque les réglages sont terminés, placer le commutateur PROGRAM à la position OFF.
L'écran du menu de réglage s'efface sur le moniteur télé, et le mode normal revient.

6 Appuyer sur la touche TIMER MODE du panneau avant et la régler sur le mode enregistrement par minuterie interne (le voyant "INT" s'éclaire au registre).

Lorsque l'enregistrement par minuterie à réglage libre est en cours, "*" s'affiche à droite du numéro d'enregistrement par minuterie à réglage libre.

<Remarques>

- Si la cassette insérée n'a plus sa languette de prévention d'effacement accidentel, l'avertisseur sonore retentit et le voyant INT clignote.
L'avertisseur sonore retentit et le voyant INT clignote également si la date/heure ou la minuterie de programme n'ont pas été réglées.
- Pour libérer le mode enregistrement par minuterie interne, appuyer sur la touche TIMER MODE et éteindre le voyant INT sur le registre.

[FREE SET TIMER]				P9
	MONTH	DAY	SET	
1)	*	5 - 3	SUN	
1)	*	5 - 4	SUN	
1)	*	5 - 5	SUN	
4)	** - **	**	*****	
5)	** - **	**	*****	
6)	** - **	**	*****	
7)	** - **	**	*****	
8)	** - **	**	*****	
9)	** - **	**	*****	
10)	** - **	**	*****	
11)	** - **	**	*****	
12)	** - **	**	*****	

<Remarque>

Si la zone de temps programmée pour la minuterie à réglage libre chevauche sur une zone de temps programmée avec la minuterie hebdomadaire, c'est la minuterie à réglage libre qui a priorité.

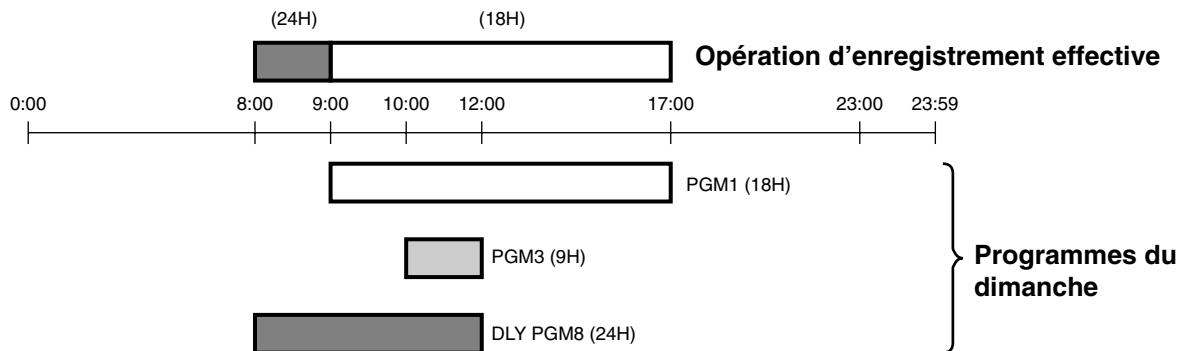
Fonctions utiles

Exemples de programmes d'enregistrement par minuterie interne

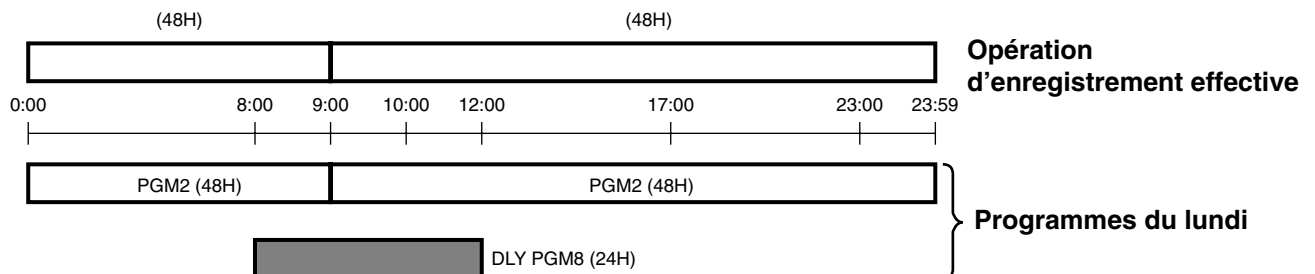
[PROGRAM TIMER]				P8
(TIMER)	START	END	REC-TYPE	
PGM1	9:00	17:00	RT1 (18H*04)	
PGM2	9:00	9:00	RT3 (48H*02)	
PGM3	10:00	12:00	RT2 (9H*06)	
PGM4	0:00	0:00	RT0 (OFF*16)	
PGM5	23:00	6:00	RT4 (72H*04)	
PGM6	10:00	11:00	RT0 (OFF*16)	
PGM7	5:00	6:00	RT7 (120H*01)	
PGM8	8:00	12:00	RT6 (24H*16)	

[INTERNAL WEEKLY TIMER]							
(SUN)	MON	TUE	WED	THU	FRI	SAT	DLY
PGM1	PGM2	***	PGM1	PGM6	PGM5	***	PGM8
PGM3	***	***	***	***	***	PGM7	***

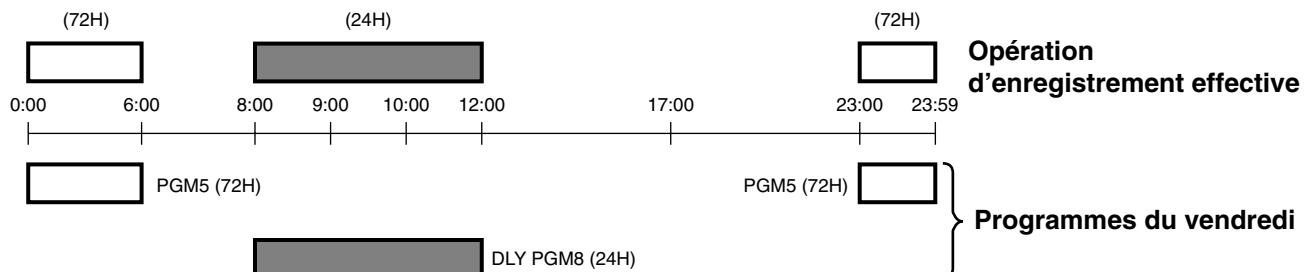
■ Enregistrement le dimanche



■ Enregistrement le lundi



■ Enregistrement le vendredi



Fonctions utiles

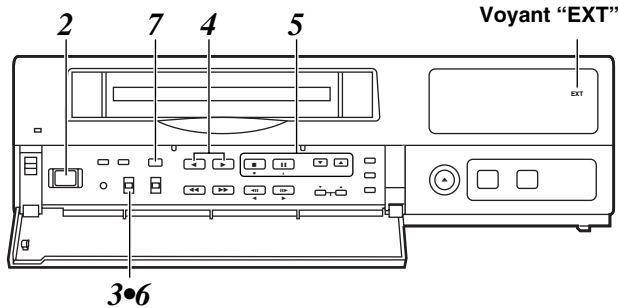
Enregistrement par minuterie externe

En utilisant une minuterie externe, il est possible de débiter et de terminer l'enregistrement aux heures réglées.

<Remarque>

Avant de régler l'enregistrement par minuterie externe, effectuer tous les raccordements ainsi que les étapes des sections "Réglage de la date et de l'heure" (page 11) et "Réglage du mode de temps d'enregistrement et du nombre de caméras" (page 14).

Lors de l'utilisation d'une minuterie externe raccordée au fil d'alimentation de l'appareil (commande exercée sur le côté alimentation principale)



- 1 Raccorder la minuterie externe au fil d'alimentation de l'appareil, et établir le contact.
- 2 Placer l'interrupteur POWER de l'appareil à la position ON et insérer la cassette.
- 3 Placer le commutateur PROGRAM à la position MENU.
L'écran du menu de réglage apparaît sur le moniteur télé.
- 4 Appuyer sur la touche PAGE (+) ou PAGE (-) pour afficher l'écran P7 TERMINAL INPUT SELECT.
Les rubriques qui clignotent peuvent être réglées.

[TERMINAL INPUT SELECT]		P7
EXT TIMER IN	OFF	
TIME ADJUST IN	9:00	
[TERMINAL OUTPUT SELECT]		
ALARM/SENSOR OUT	CONTINUE	
ERROR WARN/REC OUT	WARNING	
EXT TIMER OUT	START 0:00	
	END 0:00	
[VIDEO OUT SEQUENCE]		
SW INTERVAL	2s	
BYPASS CAMERA	OFF	
BLACK MATTE	OFF	
LL CAMERA	OFF	
[EXT SWITCHER]		
MODE	VIDEO OUT	

- 5 Utiliser les touches SHIFT (▼) et (▲) pour amener la section clignotante sur la rubrique EXT TIMER IN, et appuyer sur les touches SET (+) et (-) pour sélectionner le paramètre OFF.

- 6 Lorsque les réglages sont terminés, placer le commutateur PROGRAM à la position OFF.
L'écran du menu de réglage s'efface sur le moniteur télé, et le mode normal revient.

- 7 Appuyer sur la touche TIMER MODE du panneau avant et la régler sur le mode enregistrement par minuterie externe (le voyant "EXT" s'éclaire au registre).

<Remarques>

- Si la cassette insérée n'a plus sa languette de prévention d'effacement accidentel, l'avertisseur sonore retentit et le voyant EXT clignote.
- Pour libérer le mode enregistrement par minuterie externe, appuyer sur la touche TIMER MODE et éteindre le voyant EXT sur le registre.

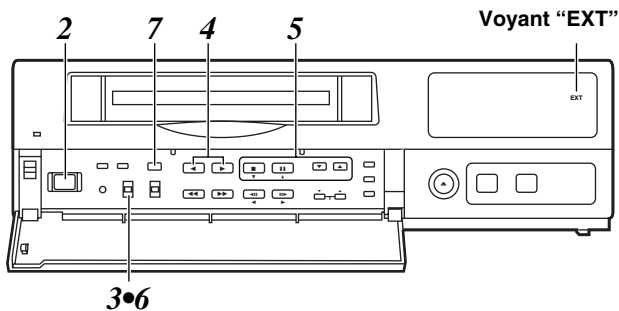
- 8 Régler la minuterie externe.
L'enregistrement débute automatiquement lorsque le contact est établi sur l'appareil sous l'action de la minuterie externe.

<Remarque>

Quand le contact n'est pas établi sur l'appareil en mode enregistrement par minuterie externe, l'enregistrement déclenché par senseur ne s'effectuera pas même si un signal d'alarme est reçu.

Fonctions utiles

Lors de l'utilisation d'une minuterie externe raccordée à la section des bornes du panneau arrière de l'appareil (commande exercée sur le connecteur EXT TIMER)



1 Raccorder la minuterie externe à la section des bornes du panneau arrière de l'appareil, et établir le contact sur l'appareil.

2 Placer l'interrupteur POWER de l'appareil à la position ON et insérer la cassette.

3 Placer le commutateur PROGRAM à la position MENU.
L'écran du menu de réglage apparaît sur le moniteur télé.

4 Appuyer sur la touche PAGE (+) ou PAGE (-) pour afficher l'écran P7 TERMINAL INPUT SELECT.
Les rubriques qui clignotent peuvent être réglées.

[TERMINAL INPUT SELECT]		P7
EXT TIMER IN	OFF	
TIME ADJUST IN	9:00	
[TERMINAL OUTPUT SELECT]		
ALARM/SENSOR OUT	CONTINUE	
ERROR WARN/REC OUT	WARNING	
EXT TIMER OUT	START 0:00	
	END 0:00	
[VIDEO OUT SEQUENCE]		
SW INTERVAL	2s	
BYPASS CAMERA	OFF	
BLACK MATTE	OFF	
LL CAMERA	OFF	
[EXT SWITCHER]		
MODE	VIDEO OUT	

5 Utiliser les touches SHIFT (▼) et (▲) pour amener la section clignotante sur la rubrique EXT TIMER IN, et appuyer sur les touches SET (+) et (-) pour sélectionner le paramètre ON.

6 Lorsque les réglages sont terminés, placer le commutateur PROGRAM à la position OFF.
L'écran du menu de réglage s'efface sur le moniteur télé, et le mode normal revient.

7 Appuyer sur la touche TIMER MODE du panneau avant et la régler sur le mode enregistrement par minuterie externe (le voyant "EXT" s'éclaire au registre).

Le contact se coupe automatiquement, et l'appareil attend que le signal de commande soit envoyé par la minuterie externe.

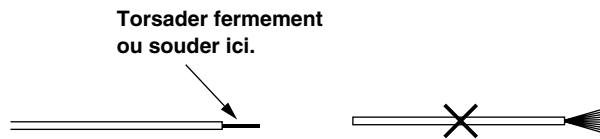
<Remarques>

- Si la cassette insérée n'a plus sa languette de prévention d'effacement accidentel, l'avertisseur sonore retentit et le voyant EXT clignote.
- Pour libérer le mode enregistrement par minuterie externe, appuyer sur la touche TIMER MODE et éteindre le voyant EXT sur le registre.

8 Régler la minuterie externe.
L'enregistrement débute automatiquement lorsque le contact est établi sur l'appareil sous l'action du signal de commande envoyé par la minuterie externe.

Raccordement des bornes

Comme représenté ci-dessous, torsader fermement l'extrémité du cordon qui doit être raccordé à la section des bornes.



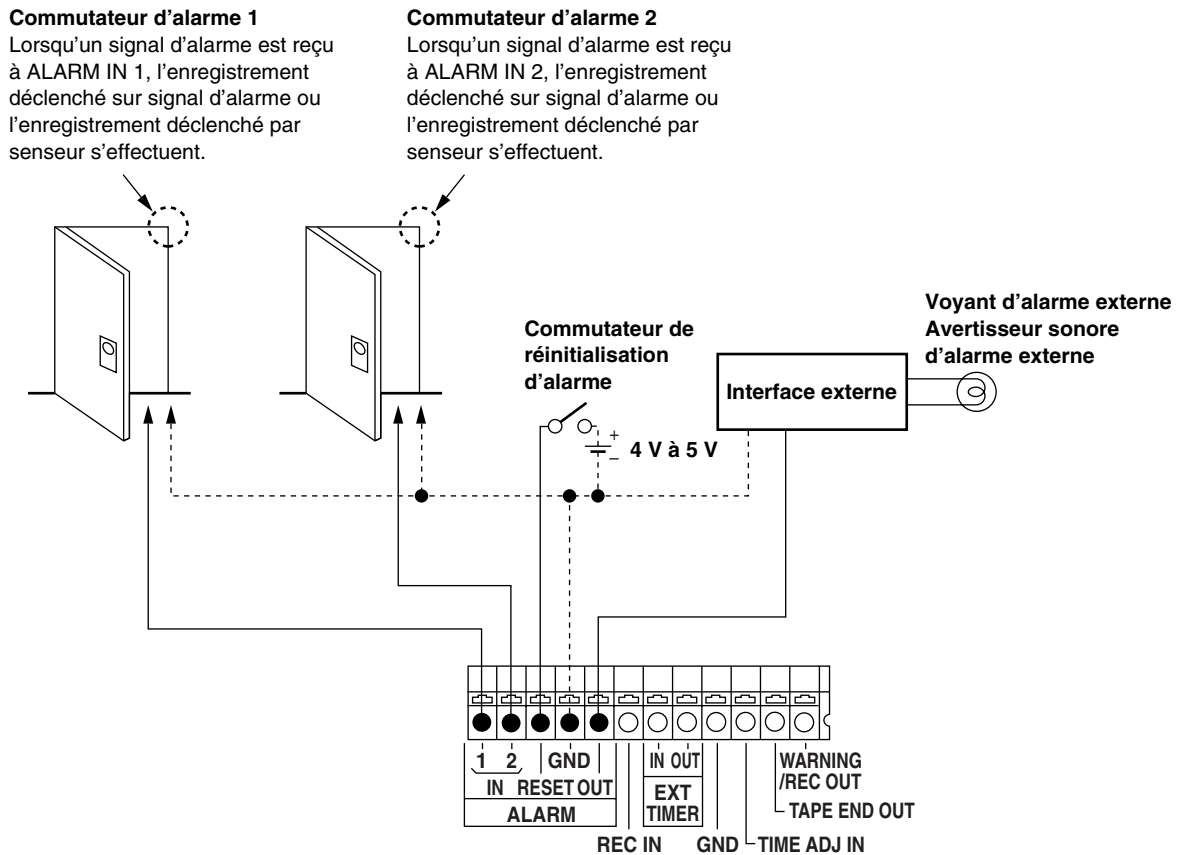
Fil plein : 0,4 à 1,2 mm
Fil torsadé : 0,3 à 1,25 mm
(Les brins doivent avoir un diamètre d'au moins 0,18 mm.)



Pour raccorder ou débrancher le cordon, appuyer sur cette partie à l'aide d'un tournevis ordinaire.

- Si l'extrémité du cordon n'est pas fermement torsadée, il y a risque de court-circuit.

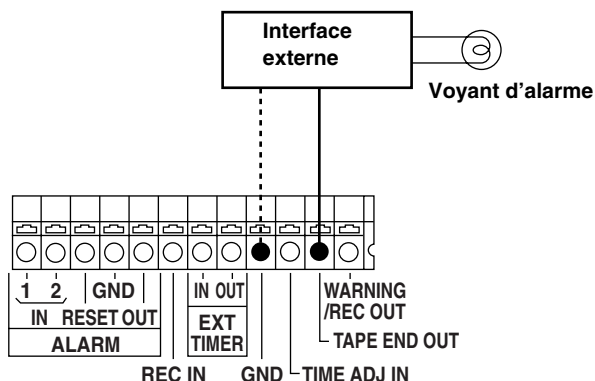
Raccordements d'enregistrement déclenché sur signal d'alarme



- Si l'enregistrement déclenché sur signal d'alarme a été validé à la rubrique MODE du menu de réglage de l'écran P4 ALARM/SENSOR REC, l'enregistrement déclenché sur signal d'alarme débute si le commutateur d'alarme est placé à la position ON.
- L'enregistrement déclenché sur signal d'alarme est libéré lorsque le commutateur de réinitialisation d'alarme est placé à la position ON.

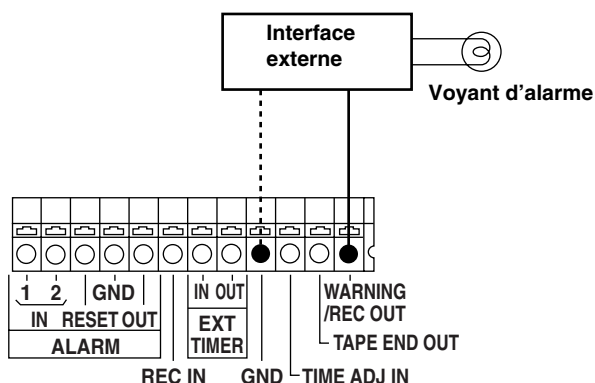
Raccordement des bornes

Raccordements de signal de sortie de fin de ruban



Lorsque la cassette arrive à la fin du ruban pendant l'enregistrement, le dispositif d'alarme qui a été installé en externe se déclenche.

Raccordements de signal de sortie d'arrêt automatique et raccords de signal de sortie d'enregistrement



Les raccords de signal de sortie d'arrêt automatique et de signal de sortie d'enregistrement sont les mêmes. Ils se sélectionnent à la rubrique ERROR WARN/REC OUT du menu de réglage de l'écran P7 TERMINAL OUTPUT SELECT.

Signal de sortie d'arrêt automatique

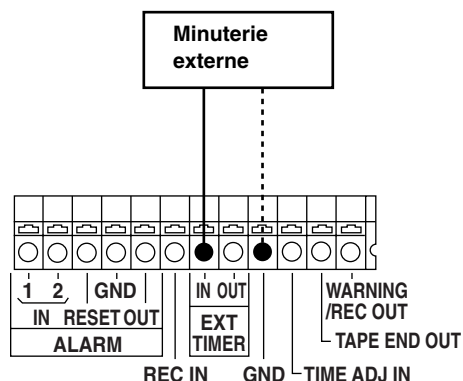
Lorsqu'il se produit une anomalie dans l'appareil, le dispositif d'alarme qui a été installé en externe se déclenche.

Dans cette éventualité, un code d'erreur s'affiche à l'écran. (Voir page 102)

Signal de sortie d'enregistrement

Lorsque l'appareil est en mode enregistrement, le dispositif d'alarme qui a été installé en externe se déclenche.

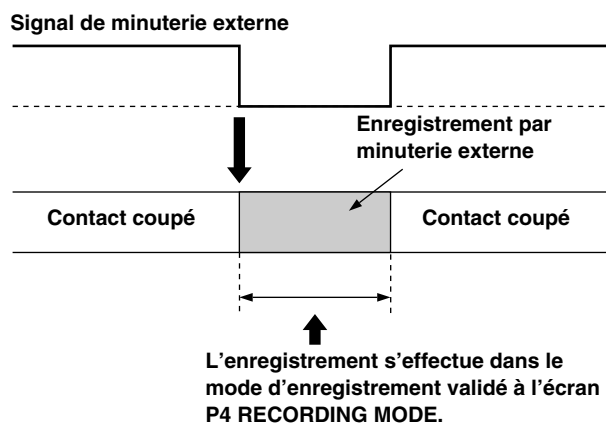
Raccordements d'entrée de minuterie externe



Il est possible d'utiliser une minuterie externe pour l'enregistrement.

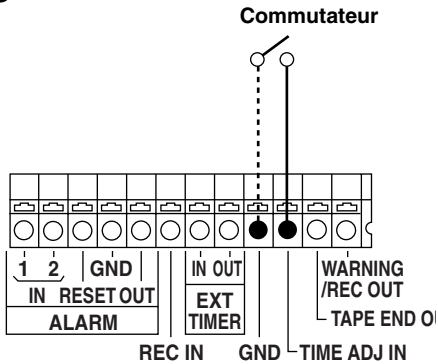
- Sélectionner ON à la rubrique EXT TIMER du menu de réglage de l'écran P7 TERMINAL INPUT SELECT, et placer la touche TIMER MODE du panneau avant à la position EXT (enregistrement par minuterie externe).

Le contact se coupe sur l'appareil, et l'enregistrement débute sous l'action du signal de minuterie externe.



Raccordement des bornes

Raccordements de réglage des heures



Réglage de l'heure de l'appareil à l'aide d'un commutateur externe

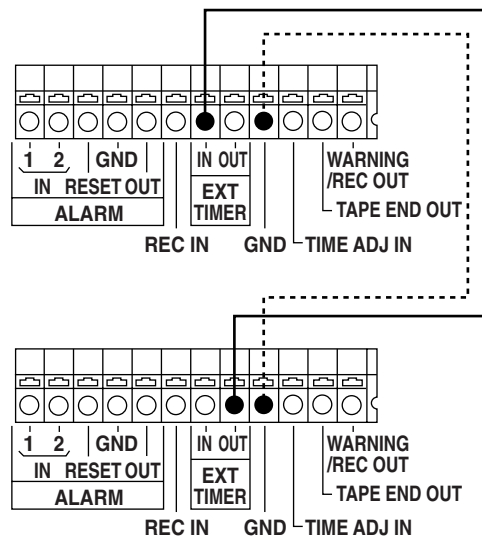
- A la rubrique TIME ADJUST IN du menu de réglage de l'écran P7 TERMINAL INPUT SELECT, régler l'heure pour l'envoi du signal par le commutateur externe.
- Si le commutateur externe est placé à la position ON, l'appareil se règle à la même heure.

Raccordements d'entrée de minuterie externe

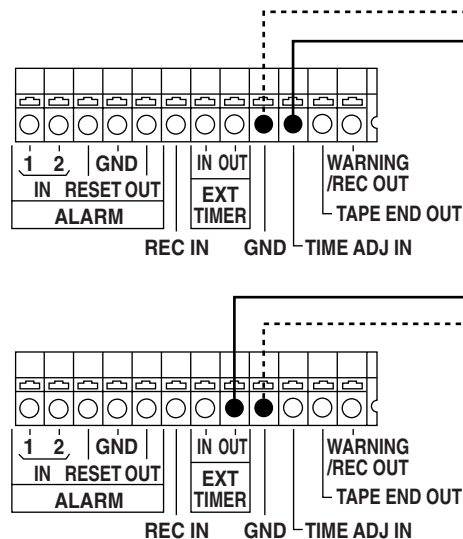
Il est possible d'utiliser un second magnéscope à temps échelonné comme minuterie externe, ou le commutateur externe pour régler l'heure.

- A la rubrique EXT TIMER OUT du menu de réglage de l'écran P7 TERMINAL OUTPUT SELECT, régler l'heure de début (START) et l'heure de fin (END) auxquelles les signaux de commande doivent être envoyés.

Lors de l'utilisation d'un second magnéscope à temps échelonné comme minuterie externe



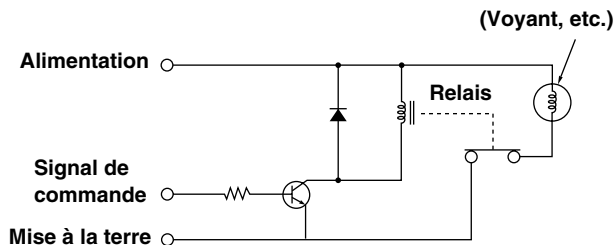
Lors de l'utilisation d'un second magnéscope à temps échelonné comme commutateur externe pour le réglage de l'heure



Niveaux de signal au bornes

Spécifications des préparations d'interface externe

Exemple de voyant éclairé par un signal HIGH

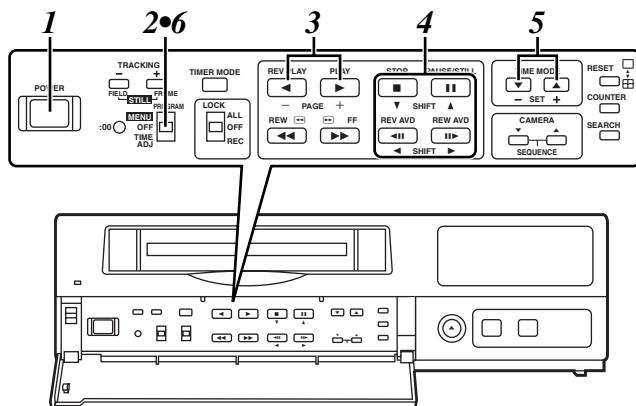


- Utiliser des dispositifs supportant les conditions de fonctionnement réelles.

Borne	Niveau de signal	Remarques	Borne	Niveau de signal	Remarques
ALARM IN 1/2	<p>$V_{IH} = 4,0\text{ V à }5,0\text{ V}$ $V_{IL} = 0,0\text{ V à }0,6\text{ V}$ $T \geq 100\text{ ms}$</p>	Entrée de mise à la terre	TIME ADJ IN	<p>$V_{IH} = 4,0\text{ V à }5,0\text{ V}$ $V_{IL} = 0,0\text{ V à }0,6\text{ V}$ $T \geq 100\text{ ms}$</p>	Entrée de mise à la terre
ALARM RESET IN	<p>$V_{IH} = 4,0\text{ V à }5,0\text{ V}$ $V_{IL} = 0,0\text{ V à }0,6\text{ V}$ $T \geq 100\text{ ms}$</p>	Entrée de signal haut	TAPE END OUT	<p>$V_{OH} = 11,0\text{ V à }13,0\text{ V}$ $V_{OL} = 0,0\text{ V à }0,6\text{ V}$ Sortie (+12 V) de résistance de rappel à la source de 4,7 kΩ</p>	Sortie de mise à la terre Si REPEAT a été sélectionné à la rubrique (TAPE END) MODE du menu de réglage de l'écran P5 (VTR MODE SELECT), le temps de sortie T est de 2 secondes. Si un paramètre autre que REPEAT a été sélectionné, le signal continue à être envoyé jusqu'à ce que l'une des touches de fonction soit pressée. Le signal continue également à être envoyé jusqu'à ce que l'une des touches de fonction soit pressée si un paramètre autre que OFF a été sélectionné à la rubrique LEVEL du menu de réglage de l'écran P6 TAPE REMAIN.
ALARM OUT	<p>$V_{OH} = 11,0\text{ V à }13,0\text{ V}$ $V_{OL} = 0,0\text{ V à }0,6\text{ V}$ Sortie (+12 V) de résistance de rappel à la source de 4,7 kΩ</p>	Sortie de mise à la terre Le format de sortie se règle à la rubrique ALARM/SENSOR OUT du menu de réglage de l'écran P7 TERMINAL OUTPUT SELECT.	REC IN	<p>$V_{IH} = 4,0\text{ V à }5,0\text{ V}$ $V_{IL} = 0,0\text{ V à }0,6\text{ V}$ $T \geq 100\text{ ms}$</p>	Entrée de mise à la terre
EXT TIMER IN	<p>$V_{IH} = 4,0\text{ V à }5,0\text{ V}$ $V_{IL} = 0,0\text{ V à }0,6\text{ V}$ T: Temps d'enregistrement</p>	Entrée de mise à la terre L'enregistrement s'effectue pendant l'entrée V IL (T).	EXT TIMER OUT	<p>$V_{OL} = 0,0\text{ V à }0,6\text{ V}$</p>	Sortie de mise à la terre Le temps de sortie T se règle à la rubrique EXT TIMER OUT du menu de réglage de l'écran P7 TERMINAL OUTPUT SELECT.
WARNING/RECE OUT	<p>Sortie de drain ouvert $V_{OL} = 0,0\text{ V à }1,0\text{ V}$ Entraînement de 200 mA max. validé</p>	Sortie de mise à la terre			

Réglage des menus

Méthode de réglage



- 1** Placer l'interrupteur POWER à la position ON.
- 2** Placer le commutateur PROGRAM à la position MENU.
L'écran du menu de réglage apparaît sur le moniteur télé.
- 3** Appuyer sur la touche PAGE (+) ou PAGE (-) pour afficher l'écran de menu.
Les rubriques qui clignotent peuvent être réglées.
- 4** Utiliser les touches SHIFT (▼), (▲), (◀) et (▶) pour amener la section clignotante sur la rubrique dont le paramètre doit être modifié.
- 5** Appuyer sur les touches SET (+) et (-) pour modifier le réglage.
- 6** Lorsque les réglages sont terminés, placer le commutateur PROGRAM à la position OFF.
L'écran du menu de réglage s'efface sur le moniteur télé, et le mode normal revient.

Menus de réglage

Menu de la page P1

P1	<p>[TIME/DATE PRESET] 2000- 1-01 SAT 00:00:00</p> <p>[REC LOCK] MODE OFF</p> <p>[HOUR METER] 00000h</p>
----	---

Ecran TIME/DATE PRESET

Rubrique	Description de la fonction
Année Mois Jour Jour de la semaine Heures Minutes Secondes	<p>Pour le réglage de la date et de l'heure</p> <p> Année : 2000 à 2099 Mois : 1 à 12 Jour : 01 à 31 Jour de la semaine : SUN à SAT Secondes : Fixes à 00 Minutes : 00 à 59 Heures : 00 à 23 </p>

Ecran REC LOCK

Rubrique	Description de la fonction
MODE	<p>Permet de régler le mode verrouillage des opérations pendant l'enregistrement.</p> <p><u>ON</u> : Pendant l'enregistrement, toutes les touches et les commutateurs à l'exception de la touche REC REVIEW sont inopérants.</p> <p><u>OFF</u> : Pendant l'enregistrement, toutes les touches et les commutateurs fonctionnent.</p>

Les paramètres soulignés représentent les réglages usine.

Ecran HOUR METER

Rubrique	Description de la fonction
	Permet d'afficher le nombre d'heures d'enregistrement cumulé depuis le début de l'enregistrement.

Menus de réglage

Menu de la page P2

[DISPLAY]			P2
CHARACTER	WHITE		
POSITION	R-BOTTOM		
TIME SELECT	24HOURS		
DATE	ON		
TIME	ON		
T-MODE	ON		
REC/ALARM	ON		
[REC LOSS INDICATOR]			
VIDEO OUT	CAMERA		
[DAYLIGHT SAVINGS]			
MODE	OFF		
	<WEEK>	<MONTH>	<TIME>
START	1ST-SUN	4	2:00
END	LST-SUN	10	2:00

Ecran DISPLAY

Rubrique	Description de la fonction
CHARACTER	Permet de régler le type des caractères qui s'affichent à l'écran du moniteur télé. <u>WHITE</u> : Des caractères blancs avec une bordure noire s'affichent. <u>BLACK</u> : Des caractères noirs avec une bordure blanche s'affichent.
POSITION	Permet de régler la position où les caractères doivent s'afficher à l'écran du moniteur télé. <u>L-UPPER</u> : Les caractères s'affichent en haut et à gauche de l'écran. <u>R-UPPER</u> : Les caractères s'affichent en haut et à droite de l'écran. <u>L-BOTTOM</u> : Les caractères s'affichent en bas et à gauche de l'écran. <u>R-BOTTOM</u> : Les caractères s'affichent en bas et à droite de l'écran. <u>CENTER</u> : Les caractères s'affichent au centre de l'écran.
TIME SELECT	Permet de régler l'heure sur le système de 12 heures ou de 24 heures. <u>24HOURS</u> : L'heure est affichée au système de 24 heures. <u>AM/PM</u> : L'heure est affichée au système de 12 heures AM/PM.
DATE	Permet de régler si la date doit être affichée à l'écran du moniteur télé. <u>ON</u> : La date s'affiche à l'écran du moniteur télé. <u>OFF</u> : La date ne s'affiche pas à l'écran du moniteur télé.
TIME	Permet de régler si l'heure doit être affichée à l'écran du moniteur télé. <u>ON</u> : L'heure s'affiche à l'écran du moniteur télé. <u>OFF</u> : L'heure ne s'affiche pas à l'écran du moniteur télé.
T-MODE	Permet de régler si le mode de temps d'enregistrement et le numéro de caméra doivent être affichés à l'écran du moniteur télé. <u>ON</u> : Le mode de temps d'enregistrement et le numéro de caméra s'affichent à l'écran du moniteur télé. <u>OFF</u> : Le mode de temps d'enregistrement et le numéro de caméra ne s'affichent pas à l'écran du moniteur télé.
REC/ALARM	Permet de régler si le numéro d'alarme et le mode de fonctionnement doivent être affichés à l'écran du moniteur télé. <u>ON</u> : Le numéro d'alarme et le mode de fonctionnement s'affichent à l'écran du moniteur télé. <u>OFF</u> : Le numéro d'alarme et le mode de fonctionnement ne s'affichent pas à l'écran du moniteur télé.

Les paramètres soulignés représentent les réglages usine.

Ecran REC LOSS INDICATOR

Rubrique	Description de la fonction
VIDEO OUT	Permet de régler les signaux vidéo à envoyer à l'écran du moniteur télé dans tous les modes à l'exception du mode enregistrement. <u>CAMERA</u> : Les signaux vidéo de la caméra sont envoyés à l'écran du moniteur télé. <u>BLUE</u> : Les signaux de fond d'écran bleu sont envoyés à l'écran du moniteur télé.

Les paramètres soulignés représentent les réglages usine.

Menus de réglage

Menu de la page P2

[DISPLAY]		P2
CHARACTER	WHITE	
POSITION	R-BOTTOM	
TIME SELECT	24HOURS	
DATE	ON	
TIME	ON	
T-MODE	ON	
REC/ALARM	ON	
[REC LOSS INDICATOR]		
VIDEO OUT	CAMERA	
[DAYLIGHT SAVINGS]		
MODE	OFF	
	<WEEK>	<MONTH>
START	1ST-SUN	4 2:00
END	LST-SUN	10 2:00

Ecran DAYLIGHT SAVING

Rubrique	Description de la fonction
MODE	Permet de valider ou d'invalider l'heure d'été. ON : L'heure d'été est validée. OFF : L'heure d'été est invalidée.
START	Permet de régler le jour et la date où l'heure d'été débute. <u><WEEK></u> Permet de régler la semaine et le jour de la semaine où l'heure d'été doit débiter. 1ST : 1ère semaine 2ND : 2ème semaine 3RD : 3ème semaine 4TH : 4ème semaine LST : Dernière semaine SUN—SAT Réglage usine (1ST-SUN) <u><MONTH></u> Permet de régler le mois où l'heure d'été doit débiter. 1—12 Réglage usine (4) <u><TIME></u> Permet de régler l'heure où l'heure d'été doit débiter. Il n'est pas possible de régler les minutes. 1:00—22:00 Réglage usine (2:00)
END	Permet de régler le jour et la date où l'heure d'été prend fin. <u><WEEK></u> Permet de régler la semaine et le jour de la semaine où l'heure d'été doit prendre fin. 1ST : 1ère semaine 2ND : 2ème semaine 3RD : 3ème semaine 4TH : 4ème semaine LST : Dernière semaine SUN—SAT Réglage usine (LST-SUN) <u><MONTH></u> Permet de régler le mois où l'heure d'été doit prendre fin. 1—12 Réglage usine (10) <u><TIME></u> Permet de régler l'heure où l'heure d'été doit prendre fin. Il n'est pas possible de régler les minutes. 1:00—22:00 Réglage usine (2:00)

Les paramètres soulignés représentent les réglages usine.

Menus de réglage

Menu de la page P3

[RECORDING T-MODE & CAMERA]		P3
REC T- C.	(CAMERA SELECT)	
TYPE MODE NO	C1 C3 C5 C7 C9 C11 C13 C15 C2 C4 C6 C8 C10 C12 C14 C16	
RT0	OFF* 16	Y Y Y Y Y Y Y Y
RT1	OFF* 16	Y Y Y Y Y Y Y Y
RT2	OFF* 16	Y Y Y Y Y Y Y Y
RT3	OFF* 16	Y Y Y Y Y Y Y Y
RT4	OFF* 16	Y Y Y Y Y Y Y Y
RT5	OFF* 16	Y Y Y Y Y Y Y Y
RT6	OFF* 16	Y Y Y Y Y Y Y Y
RT7	OFF* 01 C1	
		Y:YES N:NO

Ecran RECORDING T-MODE & CAMERA

Rubrique	Description de la fonction
REC TYPE	La combinaison mode de temps d'enregistrement-nombre de caméras est enregistrée comme type d'enregistrement. RT0—RT7 <Remarques> <ul style="list-style-type: none"> Le mode de temps d'enregistrement (T-MODE) de RT0 est fixé à "invalidé". Le nombre de caméras (CAMERA SELECT) de RT7 est fixé à 1 (01).
T-MODE	Permet de régler le mode de temps d'enregistrement. OFF, 3H, 9H, 12H, 18H, 24H, 48H, 72H, 96H, 120H, 180H, 240H, 360H, 480H, 960H <Remarque> Si OFF est sélectionné pour le mode de temps d'enregistrement, le mode suit le réglage de la touche TIME MODE (du panneau avant escamotable).
C. NO	Le nombre de caméras réglées pour la rubrique CAMERA SELECT s'affiche dans cette colonne.
CAMERA SELECT	Permet de sélectionner Y (Oui) ou N (Non) pour spécifier si une caméra particulière doit être utilisée. Y : La caméra sera utilisée. N : La caméra ne sera pas utilisée. <Remarque> Il n'est pas possible de sélectionner N (Non) pour toutes les caméras.

Menu de la page P4

[RECORDING MODE]		P4
FIELD/FRAME	FIELD	
PICTURE QUALITY	HIGH	
REC-TYPE	RT0 (OFF*16)	
[ALARM/SENSOR REC]		
MODE	OFF	
FIELD/FRAME	FIELD	
PICTURE QUALITY	HIGH	
DURATION	0.5min	
BUZZER	OFF	
REPEAT	OFF	
GROUP ALARM1	RT0 (OFF*16)	
GROUP ALARM2	RT0 (OFF*16)	

Ecran RECORDING MODE

Rubrique	Description de la fonction
FIELD/FRAME	Permet de sélectionner l'enregistrement de trames ou l'enregistrement d'images. <u>FIELD</u> : L'enregistrement de trames débute. <u>FRAME</u> : L'enregistrement d'images débute.
PICTURE QUALITY	Permet de régler la qualité des images à enregistrer. <u>HIGH</u> : Les images s'enregistrent à haute qualité. <u>NORMAL</u> : Les images s'enregistrent en qualité standard.
REC-TYPE	Permet de sélectionner le type d'enregistrement dans ce qui a été enregistré au menu de la page P3. <u>RT0—RT7</u>

Les paramètres soulignés représentent les réglages usine.

<Remarque>

Si RT7 a été sélectionné à la rubrique REC-TYPE, la rubrique FIELD/FRAME est ignorée et l'enregistrement s'effectue impérativement en mode images.

Menu de la page P4

[RECORDING MODE]		P4
FIELD/FRAME	FIELD	
PICTURE QUALITY	HIGH	
REC-TYPE	RT0 (OFF*16)	
[ALARM/SENSOR REC]		
MODE	OFF	
FIELD/FRAME	FIELD	
PICTURE QUALITY	HIGH	
DURATION	0.5min	
BUZZER	OFF	
REPEAT	OFF	
GROUP ALARM1	RT0 (OFF*16)	
GROUP ALARM2	RT0 (OFF*16)	

Ecran ALARM/SENSOR REC

Rubrique	Description de la fonction
MODE	Permet de régler si l'opération d'enregistrement doit s'effectuer lorsqu'un signal d'alarme est reçu. <u>OFF</u> : L'appareil fonctionne normalement, indépendamment de la réception d'un signal d'alarme. ALARM/SENSOR: Un enregistrement déclenché sur signal d'alarme ou un enregistrement déclenché par senseur s'effectue. ALARM : Un enregistrement déclenché sur signal d'alarme s'effectue. SENSOR: Un enregistrement déclenché par senseur s'effectue.
FIELD/FRAME	Permet de sélectionner l'enregistrement de trames ou l'enregistrement d'images lorsque l'appareil doit effectuer un enregistrement déclenché sur signal d'alarme ou un enregistrement déclenché par senseur. <u>FIELD</u> : Un enregistrement de trames s'effectue. <u>FRAME</u> : Un enregistrement d'images s'effectue.
PICTURE QUALITY	Permet de régler la qualité des images à enregistrer lorsque l'appareil doit effectuer un enregistrement déclenché sur signal d'alarme ou un enregistrement déclenché par senseur. <u>HIGH</u> : L'enregistrement est effectué à haute qualité. <u>NORMAL</u> : L'enregistrement est effectué en qualité standard. <u>NO CHANGE</u> : L'enregistrement est effectué à la qualité en vigueur.
DURATION	Permet de régler la durée de l'enregistrement déclenché sur signal d'alarme ou de l'enregistrement déclenché par senseur. <u>0.5min</u> : Enregistrement pendant 30 secondes. <u>1.0min</u> : Enregistrement pendant 1 minute. <u>1.5min</u> : Enregistrement pendant 1 minute et 30 secondes. <u>2.0min</u> : Enregistrement pendant 2 minutes. <u>3.0min</u> : Enregistrement pendant 3 minutes. <u>5.0min</u> : Enregistrement pendant 5 minutes. <u>10min</u> : Enregistrement pendant 10 minutes. <u>CONTINUE</u> : L'enregistrement se poursuit jusqu'à la fin du ruban. <u>MANUAL</u> : L'enregistrement ne s'effectue que pendant la réception d'un signal d'alarme.
BUZZER	Permet de régler si l'avertisseur sonore doit retentir pendant un enregistrement déclenché sur signal d'alarme ou un enregistrement déclenché par senseur. <u>ON</u> : L'avertisseur sonore retentit. Il s'arrête lorsque l'une des touches de fonction est pressée. <u>OFF</u> : L'avertisseur sonore ne retentit pas.
REPEAT	Permet de régler si un enregistrement déclenché sur signal d'alarme ou un enregistrement déclenché par senseur doivent s'effectuer si un signal d'alarme est reçu pendant un enregistrement en reprise ou pendant le rebobinage du ruban. <u>OFF</u> : L'enregistrement déclenché sur signal d'alarme ou l'enregistrement déclenché par senseur ne s'effectuent pas pendant le rebobinage du ruban. Si un signal d'alarme est reçu alors que le rebobinage du ruban est terminé, un enregistrement déclenché sur signal d'alarme ou un enregistrement déclenché par senseur s'effectuent. <u>ON</u> : Il s'effectue impérativement un enregistrement déclenché sur signal d'alarme ou un enregistrement déclenché par senseur (ou les deux), même pendant le rebobinage du ruban.

Les paramètres soulignés représentent les réglages usine.

<Remarque>

Si RT7 a été sélectionné à la rubrique REC-TYPE, la rubrique FIELD/FRAME est ignorée et l'enregistrement s'effectue impérativement en mode images.

Menus de réglage

Menu de la page P4

[RECORDING MODE]		P4
FIELD/FRAME	FIELD	
PICTURE QUALITY	HIGH	
REC-TYPE	RT0 (OFF*16)	
[ALARM/SENSOR REC]		
MODE	OFF	
FIELD/FRAME	FIELD	
PICTURE QUALITY	HIGH	
DURATION	0.5min	
BUZZER	OFF	
REPEAT	OFF	
GROUP ALARM1	RT0 (OFF*16)	
GROUP ALARM2	RT0 (OFF*16)	

Ecran ALARM/SENSOR REC

Rubrique	Description de la fonction
GROUP ALARM1	Permet de sélectionner le type d'enregistrement pour ce qui a été enregistré au menu de la page P3 lorsqu'un enregistrement déclenché sur signal d'alarme ou un enregistrement déclenché par senseur doivent être effectués si un signal d'alarme est reçu à ALARM IN 1. (<u>RT0</u> —RT7)
GROUP ALARM2	Permet de sélectionner le type d'enregistrement pour ce qui a été enregistré au menu de la page P3 lorsqu'un enregistrement déclenché sur signal d'alarme ou un enregistrement déclenché par senseur doivent être effectués si un signal d'alarme est reçu à ALARM IN 2. (<u>RT0</u> —RT7)

Les paramètres soulignés représentent les réglages usine.

<Remarque>

Si RT7 a été sélectionné à la rubrique REC-TYPE, la rubrique FIELD/FRAME est ignorée et l'enregistrement s'effectue impérativement en mode images.

Menu de la page P5

[VTR MODE SELECT]		P5
(TAPE IN)	STOP	
(TAPE END)		
MODE	STOP	
ALARM IN	STOP	
(EJECT OPERATION)	EJECT	
(VIDEO MODE)	AUTO	

Ecran VTR MODE SELECT

Rubrique	Description de la fonction
(TAPE IN)	Permet de régler le mode de fonctionnement qui doit être validé lorsqu'une cassette est insérée dans l'appareil. <u>STOP</u> : L'appareil passe en mode arrêt. <u>REC</u> : L'appareil passe en mode enregistrement. <u>REW</u> → <u>REC</u> : Le ruban est tout d'abord rebobiné, puis l'enregistrement s'effectue.
(TAPE END) MODE	Permet de régler le mode de fonctionnement qui doit être validé lorsque la cassette arrive à la fin du ruban. <u>STOP</u> : L'appareil passe en mode arrêt à la fin du ruban. <u>BUZZER</u> : L'appareil passe en mode arrêt à la fin du ruban et l'avertisseur sonore retentit. <u>REW</u> : Le ruban se rebobine jusqu'au début, puis l'appareil passe en mode arrêt. <u>REPEAT</u> : Le ruban se rebobine jusqu'au début, puis l'enregistrement s'effectue. <u>EJECT</u> : La cassette s'éjecte à la fin du ruban.
(TAPE END) ALARM IN	Permet de régler le mode de fonctionnement qui doit être validé lorsque la cassette arrive à la fin du ruban après un enregistrement déclenché sur signal d'alarme ou un enregistrement déclenché par senseur. <u>STOP</u> : L'appareil passe en mode arrêt à la fin du ruban. La cassette s'éjecte si <u>EJECT</u> a été sélectionné à la rubrique (TAPE END) MODE. <u>CONTINUE</u> : L'appareil poursuit l'opération sélectionnée à la rubrique (TAPE END) MODE, qu'un signal d'alarme soit reçu ou non.
(EJECT OPERATION)	Permet de régler le fonctionnement de la touche <u>EJECT</u> . <u>EJECT</u> : La cassette est éjectée sur pression de la touche. <u>REW</u> → <u>EJECT</u> : La cassette est éjectée sur pression de la touche après s'être rebobinée jusqu'au début.
(VIDEO MODE)	Permet de régler la couleur du signal de sortie vidéo. <u>AUTO</u> : La couleur se règle automatiquement en fonction du signal d'entrée. <u>B/W</u> : Le signal est impérativement réglé en monochrome.

Les paramètres soulignés représentent les réglages usine.

Menus de réglage

Menu de la page P6

[TAPE REMAIN]		P6
LEVEL	OFF	
BUZZER	OFF	
[REC REVIEW]		
AUTO	OFF	
ERROR BUZZER	OFF	
[ERROR WARN BUZZER]		
MODE	OFF	
[REC WARNING]		
REC LOSS BUZZER	OFF	

Ecran TAPE REMAIN

Rubrique	Description de la fonction
LEVEL	Permet de régler le point où REMAIN doit clignoter au registre et l'avertissement de fin de ruban s'affiche lorsque le ruban est près d'arriver à la fin. (Lors de l'utilisation d'une cassette de 120 minutes) REMAIN cesse de clignoter sur pression de n'importe quelle touche. <u>OFF</u> : L'avertissement de fin de ruban ne s'affiche pas. <u>2%</u> : L'avertissement s'affiche lorsqu'il reste moins de 2% de ruban environ. <u>10%</u> : L'avertissement s'affiche lorsqu'il reste moins de 10% de ruban environ. <u>20%</u> : L'avertissement s'affiche lorsqu'il reste moins de 20% de ruban environ. <u>30%</u> : L'avertissement s'affiche lorsqu'il reste moins de 30% de ruban environ.
BUZZER	Permet de régler si l'avertisseur sonore doit retentir lorsque le ruban est près d'arriver à la fin. L'avertisseur sonore s'arrête sur pression de n'importe quelle touche. <u>ON</u> : L'avertisseur sonore retentit à la position réglée pour la rubrique LEVEL. <u>OFF</u> : L'avertisseur sonore ne retentit pas.

Les paramètres soulignés représentent les réglages usine.

Ecran REC REVIEW

Rubrique	Description de la fonction
AUTO	Permet de régler automatiquement REC REVIEW. (Cette fonction lit l'enregistrement à l'issue d'un intervalle d'enregistrement spécifique afin de déterminer si le niveau vidéo s'est maintenu correctement pendant l'enregistrement.) <u>ON</u> : La révision d'enregistrement (REC REVIEW) s'effectue automatiquement. Si un niveau non acceptable est détecté, le ruban est repéré et déchargé trois fois, puis la révision d'enregistrement s'effectue de nouveau automatiquement. Si le niveau n'est toujours pas acceptable, l'enregistrement s'effectue. <u>OFF</u> : La révision d'enregistrement (REC REVIEW) ne s'effectue pas automatiquement.
ERROR BUZZER	Permet de régler si l'avertisseur sonore doit retentir lorsque la révision d'enregistrement détecte que le niveau d'enregistrement ne s'est pas maintenu de façon acceptable. <u>ON</u> : L'avertisseur sonore retentit. Il s'arrête sur pression de n'importe quelle touche. <u>OFF</u> : L'avertisseur sonore ne retentit pas.

Les paramètres soulignés représentent les réglages usine.

Menus de réglage

Menu de la page P6

[TAPE REMAIN]		P6
LEVEL	OFF	
BUZZER	OFF	
[REC REVIEW]		
AUTO	OFF	
ERROR BUZZER	OFF	
[ERROR WARN BUZZER]		
MODE	OFF	
[REC WARNING]		
REC LOSS BUZZER	OFF	

Ecran ERROR WARN BUZZER

Rubrique	Description de la fonction
MODE	Permet de régler si l'avertisseur sonore doit retentir lorsqu'une anomalie se produit dans l'appareil et que le contact doit se couper automatiquement. <u>ON</u> : L'avertisseur sonore retentit. <u>OFF</u> : L'avertisseur sonore ne retentit pas.

Les paramètres soulignés représentent les réglages usine.

Ecran REC WARNING

Rubrique	Description de la fonction
REC LOSS BUZZER	Permet de régler si l'avertisseur sonore doit retentir lorsque l'appareil reste en mode arrêt pendant une durée prolongée. L'avertisseur sonore s'arrête sur pression de n'importe quelle touche. <u>OFF</u> : L'avertisseur sonore ne retentit pas. <u>5min</u> : L'avertisseur sonore retentit lorsque l'appareil reste en mode arrêt pendant 5 minutes. <u>10min</u> : L'avertisseur sonore retentit lorsque l'appareil reste en mode arrêt pendant 10 minutes. <u>20min</u> : L'avertisseur sonore retentit lorsque l'appareil reste en mode arrêt pendant 20 minutes. <u>30min</u> : L'avertisseur sonore retentit lorsque l'appareil reste en mode arrêt pendant 30 minutes.

Les paramètres soulignés représentent les réglages usine.

Menu de la page P7

[TERMINAL INPUT SELECT]		P7
EXT TIMER IN	OFF	
TIME ADJUST IN	9:00	
[TERMINAL OUTPUT SELECT]		
ALARM/SENSOR OUT	CONTINUE	
ERROR WARN/REC OUT	WARNING	
EXT TIMER OUT	START 0:00	
	END 0:00	
[VIDEO OUT SEQUENCE]		
SW INTERVAL	2s	
BYPASS CAMERA	OFF	
BLACK MATTE	OFF	
LL CAMERA	OFF	
[EXT SWITCHER]		
MODE	VIDEO OUT	

Ecran TERMINAL INPUT SELECT

Rubrique	Description de la fonction
EXT TIMER IN	Permet de régler si les signaux de la minuterie externe raccordée à la section des bornes du panneau arrière doivent être reconnus en mode enregistrement par minuterie externe. <u>ON</u> : Les signaux de la minuterie externe sont reconnus. <u>OFF</u> : Les signaux de la minuterie externe ne sont pas reconnus. Sélectionner OFF si la minuterie externe est raccordée au fil d'alimentation de l'appareil.
TIME ADJUST IN	Permet de régler l'heure à régler lorsque les signaux ont été envoyés par l'appareil raccordé au connecteur TIME ADJ IN de la section des bornes du panneau arrière. 00:00 à 23:59, RESET Réglage usine (9:00) <Remarques> <ul style="list-style-type: none"> ● Les secondes sont fixées à "00". ● Lorsque les signaux sont reçus après le réglage de RESET, les minutes de l'heure se règlent à "00". Le réglage des minutes revient à "00" si elles étaient de 0 à 15 lorsque les signaux ont été reçus. Le réglage des minutes revient à "00" de l'heure suivante si elles étaient de 45 à 59 lorsque les signaux ont été reçus.

Les paramètres soulignés représentent les réglages usine.

Ecran TERMINAL OUTPUT SELECT

Rubrique	Description de la fonction
ALARM/SENSOR OUT	Permet de régler la façon dont les signaux de commande doivent être envoyés à l'appareil raccordé à ALARM OUT de la section des bornes du panneau arrière lors d'un enregistrement déclenché sur signal d'alarme ou d'un enregistrement déclenché par senseur. <u>CONTINUE</u> : Les signaux de commande continuent à être envoyés même une fois l'enregistrement terminé. ALARM REC : Les signaux de commande ne sont envoyés que pendant un enregistrement déclenché sur signal d'alarme ou un enregistrement déclenché par senseur.
ERROR WARN/REC OUT	Permet de régler la façon dont les signaux de commande doivent être envoyés à l'appareil raccordé à WARNING/REC OUT de la section des bornes du panneau arrière lorsqu'il se produit une anomalie dans l'appareil. <u>WARNING</u> : Les signaux de commande continuent à être envoyés. REC : Les signaux de commande ne sont envoyés que pendant l'enregistrement.
EXT TIMER OUT	Permet de régler l'heure START et l'heure END auxquelles les signaux de commande doivent être envoyés à l'appareil raccordé à EXT TIMER OUT de la section des bornes du panneau arrière lorsqu'il se produit une anomalie dans l'appareil. <u>0:00—23:59</u> <Remarque> Les signaux de commande ne sont pas envoyés si l'heure START et l'heure END ont été réglées à la même heure.

Les paramètres soulignés représentent les réglages usine.

Menus de réglage

Menu de la page P7

[TERMINAL INPUT SELECT]		P7
EXT TIMER IN	OFF	
TIME ADJUST IN	9:00	
[TERMINAL OUTPUT SELECT]		
ALARM/SENSOR OUT	CONTINUE	
ERROR WARN/REC OUT	WARNING	
EXT TIMER OUT	START 0:00	
	END 0:00	
[VIDEO OUT SEQUENCE]		
SW INTERVAL	2s	
BYPASS CAMERA	OFF	
BLACK MATTE	OFF	
LL CAMERA	OFF	
[EXT SWITCHER]		
MODE	VIDEO OUT	

Ecran VIDEO OUT SEQUENCE

Rubrique	Description de la fonction
SW INTERVAL	Permet de régler la synchronisation à laquelle les signaux vidéo qui sont envoyés par la caméra et qui doivent être envoyés par le connecteur VIDEO OUT du panneau arrière doivent être commutés. 1s (1 seconde), 1,5s (1,5 seconde), 2s (2 secondes), 2,5s (2,5 secondes), 3s (3 secondes), 4s (4 secondes), 5s (5 secondes), 10s (10 secondes)
BYPASS CAMERA	Permet de régler si les signaux vidéo d'une caméra spécifique doivent être envoyés par le connecteur VIDEO OUT. <u>OFF</u> : Les signaux vidéo de toutes les caméras sont envoyés. C1—C16: Les signaux vidéo de la/des caméra(s) spécifiée(s) sont envoyés.
BLACK MATTE	Permet de régler le traitement du signal de salve du noir lors de la commutation des signaux vidéo qui doivent être envoyés par le connecteur de sortie des signaux vidéo. <u>ON</u> : Le signal de salve du noir est envoyé instantanément lors de la commutation des signaux vidéo. <u>OFF</u> : Le signal de salve du noir n'est pas envoyé lors de la commutation des signaux vidéo.
LL CAMERA	Permet de régler le système de synchronisation des caméras raccordées. <u>ON</u> : Caméras à verrouillage en ligne. <u>OFF</u> : Caméras à synchronisation interne et synchronisation externe. <Remarques> <ul style="list-style-type: none">● Il est recommandé d'utiliser des caméras à synchronisation interne.● Avec une caméra à verrouillage en ligne, sélectionner le paramètre ON.

Les paramètres soulignés représentent les réglages usine.

Ecran EXT SWITCHER

Rubrique	Description de la fonction
MODE	Permet de commuter la fonction du connecteur EXT SW IN/VIDEO OUT du panneau arrière. <u>VIDEO OUT</u> : Le connecteur est utilisé pour l'envoi des signaux vidéo. <u>EXT SW IN</u> : Le connecteur est utilisé pour la réception des signaux vidéo d'un commutateur cyclique externe.

Les paramètres soulignés représentent les réglages usine.

Menus de réglage

Menu de la page P8

[PROGRAM TIMER] P8			
(TIMER)	START	END	REC-TYPE
PGM1	0:00	0:00	RT0 (OFF*16)
PGM2	0:00	0:00	RT0 (OFF*16)
PGM3	0:00	0:00	RT0 (OFF*16)
PGM4	0:00	0:00	RT0 (OFF*16)
PGM5	0:00	0:00	RT0 (OFF*16)
PGM6	0:00	0:00	RT0 (OFF*16)
PGM7	0:00	0:00	RT0 (OFF*16)
PGM8	0:00	0:00	RT0 (OFF*16)
[INTERNAL WEEKLY TIMER]			
(SUN MON TUE WED THU FRI SAT DLY)			
*** **			
*** **			

Ecran PROGRAM TIMER

Rubrique	Description de la fonction
(TIMER)	Trois rubriques - heure de début d'enregistrement, heure de fin d'enregistrement, et type d'enregistrement sélectionné pour REC TYPE du menu de la page P3—sont combinées et enregistrées comme programme d'enregistrement qui doit être effectué à l'aide de la minuterie interne de l'appareil. PGM1—PGM8
START	Permet de régler l'heure de début d'enregistrement de l'enregistrement qui doit être effectué à l'aide de la minuterie interne de l'appareil. <u>0:00</u> —23:59
END	Permet de régler l'heure de fin d'enregistrement de l'enregistrement qui doit être effectué à l'aide de la minuterie interne de l'appareil. <u>0:00</u> —23:59
REC-TYPE	Permet de régler le type de l'enregistrement qui doit être effectué à l'aide de la minuterie interne de l'appareil. <u>RT0</u> —RT7

Les paramètres soulignés représentent les réglages usine.

Ecran INTERNAL WEEKLY TIMER

Rubrique	Description de la fonction
	Les programmes (2 max.) enregistrés pour (TIMER) à l'écran PROGRAM TIMER sont réglés pour les jours de la semaine. Sélectionner DLY pour un enregistrement quotidien avec un programme particulier. <u>***</u> , PGM1—PGM8 <Remarques> ● Régler " <u>***</u> " si aucun programme ne doit être enregistré. ● Le programme enregistré sur la ligne du haut a priorité.

Les paramètres soulignés représentent les réglages usine.

Menus de réglage

Menu de la page P9

[FREE SET TIMER]				P9
	MONTH	DAY	SET	
1)	**	-	**	*****
2)	**	-	**	*****
3)	**	-	**	*****
4)	**	-	**	*****
5)	**	-	**	*****
6)	**	-	**	*****
7)	**	-	**	*****
8)	**	-	**	*****
9)	**	-	**	*****
10)	**	-	**	*****
11)	**	-	**	*****
12)	**	-	**	*****

Ecran FREE SET TIMER

A cet écran, les programmes enregistrés pour (TIMER) à l'écran PROGRAM TIMER et les programmes des jours de la semaine qui ont été réglés à l'écran INTERNAL WEEKLY TIMER sont réglés à la date désirée (valable sur 12 jours).

Rubrique	Description de la fonction
MONTH	Permet de régler le mois de la date désirée. <u>1</u> —12, ** <Remarque> Régler "**" s'il n'est pas nécessaire d'enregistrer le mois. "**-**-**" s'affiche pour MONTH, DAY et SET.
DAY	Permet de régler le jour de la date désirée. 1—31
SET	Permet de sélectionner le programme qui a été réglé avec la minuterie hebdomadaire. SUN—SAT, P_OFF (mode POWER OFF toute la journée)

Les paramètres soulignés représentent les réglages usine.

Menus de réglage

Menu de la page P10

[RS-232C PARAMETERS]	P10
BIT LENGTH	7bit
STOP BIT	STOP-1
PARITY	ODD
BAUD RATE	9600
[USER ID REC]	
00000000	

Ecran RS-232C PARAMETERS

Les paramètres RS-232C se règlent à cet écran.

Rubrique	Description de la fonction
BIT LENGTH	Permet de régler la longueur des bits. <u>7</u> bit, 8bit
STOP BIT	Permet de régler le bit d'arrêt. <u>STOP-1</u> , STOP-2
PARITY	Permet de régler la parité. <u>ODD</u> , EVEN, NON
BAUD RATE	Permet de régler le débit (bps). 1200, 2400, 4800, <u>9600</u> , 19200

Les paramètres soulignés représentent les réglages usine.

Ecran USER ID REC

Rubrique	Description de la fonction
	Le code d'identification (ID) utilisateur (8 caractères alphanumériques max.) se règle à cet écran. Lorsque le code d'identification utilisateur est réglé à cet écran, il s'enregistre sur le ruban d'enregistrement. <Remarque> Il est possible d'utiliser les 16 caractères alphanumériques suivants. 0, 1, 2, 3, 4, 5, 6, 7, 8, 9, A, B, C, D, E, F

RS-232C

Les fonctions suivantes sont contrôlables avec l'interface RS-232C.

■ Fonctions de base

Les mêmes fonctions de base de cet appareil que celles exécutées avec les touches et commutateurs de l'appareil peuvent être validées.

■ Contrôles d'état

Il est possible de contrôler le mode de fonctionnement actuel de l'appareil

■ Menu de réglage

Il est possible de détecter et de régler les rubriques du menu de réglage.

■ Fonction de repérage

Le repérage de la position d'images spécifiques est possible.

1. Spécifications "matériel"

(1) Spécifications d'interface

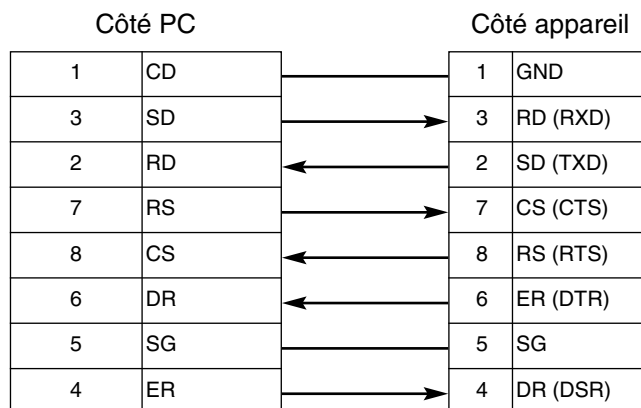
Connecteur:

D-Sub 9 contacts

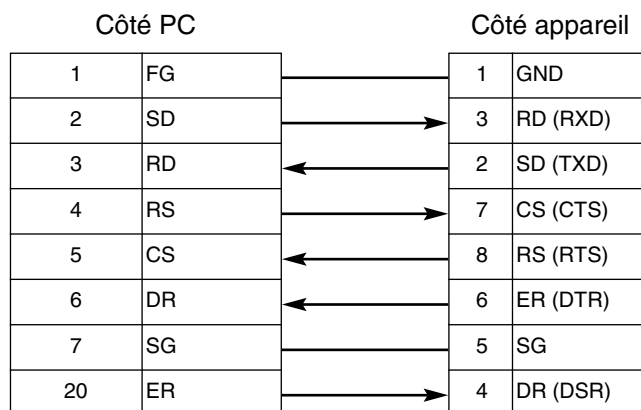
Données techniques DCE (câble rectiligne supporté)

N° de contact	Signal	Description
1	GND	Mise à la terre (GND)
2	SD (TXD)	Données envoyées
3	RD (RXD)	Données reçues
4	ER (DTR)	Terminal de données prêt
5	SG	Signal de mise à la terre (GND)
6	DR (DSR)	Modem prêt
7	CS (CTS)	Prêt à émettre
8	RS (RTS)	Demande pour émettre
9	N.C	_____

Exemple de raccordements (9P)



Exemple de raccordements (25P)



(2) Paramètres de communication

Les paramètres de communication de l'appareil sont comme suit. Effectuer des changements aux menus pour les modifier.

Débit : 9600 bps

Longueur du bit : 7 bits

Bit d'arrêt : 1 bit

Parité : Impaire

2. Spécifications “logiciel”

(1) Spécifications du logiciel externe

Système de communication	Asynchrone, duplex complet
Débit	1200, 2400, 4800, 9600 ou 19200 bps
Longueur du bit	8 ou 7 bits
Bit d'arrêt	1 ou 2 bits
Parité	Aucune, impaire ou paire

<Remarques>

- Les réglages usine sont 9600 bps, 7 bits, 1 bit d'arrêt et parité impaire.
- La mémoire tampon de réception de l'appareil a une capacité de 127 octets.

(2) Format de transmission (PC → appareil)

■ Format des données

[STX] [discrimination] [:] [données] [ETX]
02H XX XX XX 3AH XX……XX 03H

20H<XX<7FH

(XX = code de données hexadécimal)

● discrimination :

Commande identificateur (3 octets)

- :: Code servant de séparateur entre la commande et les données

● données :

Le code de données est ajouté comme requis.

1. Une commande d'envoi commence toujours par STX (code de caractères 02H).
“discrimination” qui suit la commande est l'identificateur de commande. Si nécessaire, les “données” sont ajoutées après les deux-points (:). La commande se termine par EXT (code de caractères 03H).
2. Quand STX est renvoyé avant l'envoi de ETX, la mémoire tampon interne de l'appareil est effacée (toutes les données reçues jusque là sont détruites), le STX renvoyé est placé en tête et les nouvelles données sont traitées.

(3) Format de réception (appareil → PC)

L'appareil répond à une commande d'envoi avec les données aux formats suivants.

1. D'abord, l'appareil renvoie les données qui indiquent si la commande du PC a été reçue correctement.

- 1) En cas de communication exempte d'erreur, l'appareil renvoie des données ACK (accusé de réception).

[ACK]
06H

- 2) En cas d'erreur de communication, l'appareil renvoie des données commençant par NAK (code de caractères d'accusé de réception négatif 15H).
Si des données ont été envoyées, l'appareil renvoie NAK après l'envoi.
L'appareil détruit alors toutes les données reçues avec l'erreur.

[NAK] □
15H (XX)

- Contenu de □
 - 1 (31H): Erreur de parité
 - 2 (32H): Erreur de débordement de données
 - 3 (33H): Erreur de cadrage
 - 4 (34H): Erreur de dépassement

2. Après le renvoi d'ACK quand la communication a été exempte d'erreur, l'appareil opère comme suit pour renvoyer les données dans le format suivant.

- 1) Le format des données de réponse (données renvoyées) utilisé quand la réception des commandes du PC s'est faite correctement est comme suit:

[STX][données][ETX]
02H XX...XX 03H

exemple:

Commande d'envoi Données de renvoi = Données de réception

[STX] QOP [ETX] → [ACK] [STX] OEJ [ETX]

[STX] QCD [ETX] → [ACK] [STX] CD □□□□□□□□ [ETX]

- 2) Quand les données contiennent des erreurs ou qu'un problème survient sur l'appareil, la nature des erreurs ou la raison pour laquelle les données n'ont pas été reçues sont renvoyées dans le format suivant:

[STX] E R □ [ETX]
02H 45H 52H XX 03H

- Contenu de □
 - 2 (32H) : Erreur de retrait/mise en place de cassette
 - 3 (33H) : Erreur de chargement
 - 4 (34H) : Erreur du système de cylindre ou cabestan
 - 5 (35H) : Erreur du système de bobines
 - 6 (36H) : Erreur du système tendeur
 - 7 (37H) : Erreur de solénoïde
 - D (44H) : Erreur de condensation
 - E (45H) : Erreur de commande ou paramètre
 - M (4DH) : Commande non exécutable (en mode menu de réglage ou mode ajustement de l'heure)
 - P (50H) : Erreur de repérage (en début ou fin de ruban)
 - F (46H) : Erreur de repérage (repérage interrompu par opération au panneau avant)
 - T (54H) : Erreur de repérage (pas de position cible)
 - I (49H) : Erreur de repérage (repérage interrompu par commande)
 - O (4FH) : Débordement de la mémoire tampon de réception

<Remarque>

Vérifier soigneusement le fonctionnement de l'appareil quand un PC est utilisé pour son contrôle. Il est recommandé de contrôler l'appareil en surveillant simultanément ses informations d'état.

(4) Liste des commandes

Le tableau ci-dessous indique les commandes d'envoi de chaque mode vu depuis le PC et les opérations de ces commandes.

“STX” est un code hexadécimal 02H, “ETX” un code hexadécimal 03H, : un code hexadécimal 3AH et les parties “discrimination” et “données” représentent les codes ASCII correspondant à leurs symboles.

● Commandes de contrôle de communication

Données envoyées par le PC	Données envoyées en retour par l'appareil	Description de la commande
[STX] RAF [ETX]	[STX] RAF [ETX]	Règle la fonction de retour de code ACK (accusé de réception) à OFF.
[STX] RAN [ETX]	[STX] RAN [ETX]	Règle la fonction de retour de code ACK (accusé de réception) à ON.
[STX] RCK [ETX]	[STX] RCK [ETX]	Contrôle la ligne de communication.
[STX] RSE:m [ETX]	[STX] RSE [ETX]	Règle le mode de fin de repérage.

● Commandes de contrôle de compteur

Données envoyées par le PC	Données envoyées en retour par l'appareil	Description de la commande
[STX] CCP:données [ETX]	[STX] CCP [ETX]	Prérègle les données du compteur CTL (comme pour la commande CLP).
[STX] CLP:données [ETX]	[STX] CLP [ETX]	Prérègle les données du compteur CTL (comme pour la commande CCP).
[STX] CRT [ETX]	[STX] CRT [ETX]	Remet à zéro le compteur CTL.

● Commandes de contrôle d'affichage

Données envoyées par le PC	Données envoyées en retour par l'appareil	Description de la commande
[STX] DBB [ETX]	[STX] DBB [ETX]	Règle les caractères au noir.
[STX] DBW [ETX]	[STX] DBW [ETX]	Règle les caractères au blanc.
[STX] DDS:d:t:m:r [ETX]	[STX] DDS [ETX]	Règle la rubrique affichée au moniteur.
[STX] DFC:m [ETX]	[STX] DFC [ETX]	Règle le mode d'affichage au registre.
[STX] DMS:d:m:n [ETX]	[STX] DMS [ETX]	Règle le mode d'affichage du système de temps (12 heures ou 24 heures).
[STX] DPP:mm [ETX]	[STX] DPP [ETX]	Règle la position d'affichage au moniteur.

● Commandes de contrôle d'opération du support

Données envoyées par le PC	Données envoyées en retour par l'appareil	Description de la commande
[STX] HEA [ETX]	[STX] HEA [ETX]	Règle le fonctionnement de l'appareil quand la touche EJECT est pressée à REW → EJECT.
[STX] HEE [ETX]	[STX] HEE [ETX]	Règle le fonctionnement de l'appareil quand la touche EJECT est pressée à EJECT.
[STX] HRE:m [ETX]	[STX] HRE [ETX]	Règle le mode de fonctionnement de l'appareil à la position fin de ruban pendant l'enregistrement.
[STX] HRL:m [ETX]	[STX] HRL [ETX]	Règle le mode de verrouillage pour le fonctionnement pendant l'enregistrement.
[STX] HTI:m [ETX]	[STX] HTI [ETX]	Règle le mode de fonctionnement à activer à l'insertion de la cassette.
[STX] HTR:m:b [ETX]	[STX] HTR [ETX]	Règle la mise en garde pour l'approche de la position fin de ruban.

● Commandes de contrôle du fonctionnement

Données envoyées par le PC	Données envoyées en retour par l'appareil	Description de la commande
[STX] OAC [ETX]	[STX] OAC [ETX]	Annule l'entrée du signal d'alarme.
[STX] OAF [ETX]	[STX] OAF [ETX]	Avance le ruban image par image vers l'avant.
[STX] OAI:n [ETX]	[STX] OAI [ETX]	Entre le signal d'alarme.
[STX] OAR [ETX]	[STX] OAR [ETX]	Avance le ruban image par image en sens inverse.
[STX] OEJ [ETX]	[STX] OEJ [ETX]	EJECT (éjection)
[STX] OFF [ETX]	[STX] OFF [ETX]	FAST FORWARD (avance accélérée)
[STX] OPA [ETX]	[STX] OPA [ETX]	PAUSE (pause)
[STX] OPL [ETX]	[STX] OPL [ETX]	PLAY (lecture)
[STX] OPR [ETX]	[STX] OPR [ETX]	REVERSE PLAY (lecture en sens inverse)
[STX] ORC [ETX]	[STX] ORC [ETX]	RECORD (enregistrement)
[STX] ORR [ETX]	[STX] ORR [ETX]	REC CHECK (contrôle d'enregistrement)
[STX] ORW [ETX]	[STX] ORW [ETX]	REWIND (rebobinage)
[STX] OSF:n [ETX]	[STX] OSF [ETX]	FORWARD SEARCH (repérage vers l'avant)
[STX] OSP [ETX]	[STX] OSP [ETX]	STOP (arrêt)
[STX] OSR:n [ETX]	[STX] OSR [ETX]	REVERSE SEARCH (repérage en sens inverse)

● Commandes de contrôle d'alimentation

Données envoyées par le PC	Données envoyées en retour par l'appareil	Description de la commande
[STX] POF [ETX]	[STX] POF [ETX]	Règle l'interrupteur à OFF.
[STX] PON [ETX]	[STX] PON [ETX]	Règle l'interrupteur à ON.

● Commandes de contrôle de repérage

Données envoyées par le PC	Données envoyées en retour par l'appareil	Description de la commande
[STX] SAS:données [ETX]	[STX] SAS [ETX]	Repère le numéro d'alarme et valide le mode STILL.
[STX] SCP:données [ETX]	[STX] SCP [ETX]	Repère la valeur du compteur et effectue la lecture.
[STX] SCS:données [ETX]	[STX] SCS [ETX]	Repère la valeur du compteur et valide le mode STILL.
[STX] SPT:données [ETX]	[STX] SPT [ETX]	Effectue la lecture jusqu'à la position désignée (comme pour la commande OPT).
[STX] STS:données [ETX]	[STX] STS [ETX]	Repère la date et l'heure et active le mode STILL.

● Commandes de contrôle de minuterie

Données envoyées par le PC	Données envoyées en retour par l'appareil	Description de la commande
[STX] TAT:données [ETX]	[STX] TAT [ETX]	Règle l'heure à régler quand des signaux ont été entrés depuis l'appareil raccordé à TIME ADJ IN dans la section des bornes du panneau arrière.
[STX] TCS:données [ETX]	[STX] TCS [ETX]	Règle la date actuelle.
[STX] TTS:données [ETX]	[STX] TTS [ETX]	Règle l'heure actuelle.

● Commandes de contrôle vidéo

Données envoyées par le PC	Données envoyées en retour par l'appareil	Description de la commande
[STX] VMD:m [ETX]	[STX] VMD [ETX]	Règle la couleur des signaux de sortie vidéo.
[STX] VNR:m [ETX]	[STX] VNR [ETX]	Règle les signaux vidéo à sortie au moniteur à tout moment, sauf quand l'appareil est en mode d'enregistrement.
[STX] VVC [ETX]	[STX] VVC [ETX]	Détecte si les signaux vidéo sont entrés ou non.

• Commandes de contrôle à temps échelonné

Données envoyées par le PC	Données envoyées en retour par l'appareil	Description de la commande
[STX] LAD:m [ETX]	[STX] LAD [ETX]	Règle la durée de l'enregistrement déclenché sur signal d'alarme ou de l'enregistrement déclenché par senseur.
[STX] LAI:m [ETX]	[STX] LAI [ETX]	Règle le mode de fonctionnement à activer quand un signal d'alarme a été entré en position fin de ruban.
[STX] LAR [ETX]	[STX] LAR [ETX]	Supprime les données ALARM RECALL.
[STX] LBM:m [ETX]	[STX] LBM [ETX]	Supprime le traitement du signal de salve du noir à la commutation des signaux vidéo.
[STX] LBP:m [ETX]	[STX] LBP [ETX]	Empêche la sortie des signaux vidéo d'une caméra spécifique.
[STX] LBR:m [ETX]	[STX] LBR [ETX]	Règle l'avertisseur sonore quand les résultats REW REVIEW ne sont pas bons.
[STX] LBZ:m [ETX]	[STX] LBZ [ETX]	Règle l'avertisseur sonore pendant l'enregistrement déclenché sur signal d'alarme ou l'enregistrement déclenché par senseur.
[STX] LMS:m [ETX]	[STX] LMS [ETX]	Règle la synchronisation à laquelle les signaux vidéo fournis par la caméra et à envoyer au connecteur VIDEO OUT du panneau arrière doivent être commutés.
[STX] LDA:m [ETX]	[STX] LDA [ETX]	Règle la sortie des signaux de contrôle de l'équipement raccordé à la borne ALARM OUT.
[STX] LDF:m [ETX]	[STX] LDF [ETX]	Règle le mode d'enregistrement dans lequel l'enregistrement déclenché sur signal d'alarme ou l'enregistrement déclenché par senseur doit être effectué.
[STX] LDM:m [ETX]	[STX] LDM [ETX]	Règle le mode d'enregistrement à activer à l'entrée d'un signal d'alarme.
[STX] LDO:données1:données2 [ETX]	[STX] LDO [ETX]	Règle les heures de début et de fin quand des signaux de contrôle doivent être envoyés par l'appareil raccordé à la borne EXT TIMER OUT.
[STX] LDP:m [ETX]	[STX] LDP [ETX]	Règle la finesse du trait pour l'enregistrement déclenché sur signal d'alarme ou l'enregistrement déclenché par senseur.
[STX] LDS:m [ETX]	[STX] LDS [ETX]	Sélectionne le mode (trame ou image) pour l'arrêt sur image.
[STX] LDT:m:n [ETX]	[STX] LDT [ETX]	Règle le type d'enregistrement quand un signal d'alarme doit être entré à la borne ALARM IN 1 ou 2.
[STX] LDW:m [ETX]	[STX] LDW [ETX]	Règle la sortie des signaux de contrôle à sortir à l'appareil raccordé au connecteur WARNING/REC OUT.
[STX] LDX:m [ETX]	[STX] LDX [ETX]	Commute la fonction du connecteur EXT SW IN/VIDEO OUT.
[STX] LFS:nn:mmdd:p [ETX]	[STX] LFS [ETX]	Règle la minuterie à réglage libre.
[STX] LIP:n:données1:données2:t [ETX]	[STX] LIP [ETX]	Règle l'enregistrement pour la minuterie interne.
[STX] LIW:abcdefghijklmnp [ETX]	[STX] LIW [ETX]	Règle la minuterie hebdomadaire ou quotidienne.
[STX] LLL:m [ETX]	[STX] LLL [ETX]	Règle le système de synchronisation des caméras à raccorder.
[STX] LMA:m [ETX]	[STX] LMA [ETX]	Commute le mode de repérage.
[STX] LMP:p:n [ETX]	[STX] LMP [ETX]	Commute l'affichage à l'écran (affichage 4 écrans ou 1 écran) et règle les numéros des caméras.
[STX] LNR:f:p:t [ETX]	[STX] LNR [ETX]	Règle le mode d'enregistrement, la finesse du trait et le type d'enregistrement.
[STX] LRB:m [ETX]	[STX] LRB [ETX]	Règle le fonctionnement de l'avertisseur sonore dans l'éventualité où l'appareil est maintenu en mode d'arrêt pendant une période prolongée.

● Commandes de contrôle à temps échelonné

Données envoyées par le PC	Données envoyées en retour par l'appareil	Description de la commande
[STX] LRI:m [ETX]	[STX] LRI [ETX]	Règle l'enregistrement déclenché sur signal d'alarme ou l'enregistrement déclenché par senseur à effectuer si un signal d'alarme a été entré alors que la reprise de l'enregistrement est en cours ou pendant le rebobinage du ruban.
[STX] LRM:m [ETX]	[STX] LRM [ETX]	Règle le mode d'enregistrement avec minuterie.
[STX] LRR:m [ETX]	[STX] LRR [ETX]	Règle REC REVIEW.
[STX] LSQ:m:t [ETX]	[STX] LSQ [ETX]	Règle le numéro de caméra et le mode séquentiel.
[STX] LST:données1:données2 [ETX]	[STX] LST [ETX]	Règle la date/l'heure de début et la date/l'heure de fin de l'heure d'été.
[STX] LSU:m [ETX]	[STX] LSU [ETX]	Met ON ou OFF le réglage d'heure d'été.
[STX] LTM:m [ETX]	[STX] LTM [ETX]	Valide le mode de durée d'enregistrement.
[STX] LTY:n:t:abcdefgh [ETX]	[STX] LTY [ETX]	Règle la combinaison du mode de durée d'enregistrement et du nombre de caméras.
[STX] LUI:données [ETX]	[STX] LUI [ETX]	Règle le code d'identification de l'utilisateur enregistreur.
[STX] LWB:m [ETX]	[STX] LWB [ETX]	Règle le fonctionnement de l'avertisseur sonore pendant la coupure automatique.
[STX] LWR [ETX]	[STX] LWR [ETX]	Supprime les données POWER LOSS MEMORY.
[STX] LXT:m [ETX]	[STX] LXT [ETX]	Règle l'accusé de réception ou non de l'entrée des signaux de la minuterie externe.

• Commandes de contrôle par interrogation

Données envoyées par le PC	Données envoyées en retour par l'appareil	Description de la commande
[STX] QAL [ETX]	[STX] ALV0 [ETX]	Interroge sur le niveau d'adresse.
[STX] QAM:m [ETX]	[STX] LDm données [ETX]	Interroge sur le réglage de l'enregistrement déclenché sur signal d'alarme ou de l'enregistrement déclenché par senseur.
[STX] QBM [ETX]	[STX] LBMm [ETX]	Interroge sur le traitement du signal de salve du noir à la commutation des signaux vidéo.
[STX] QBP [ETX]	[STX] LBPm [ETX]	Interroge sur la caméra ne fournissant aucun signal vidéo.
[STX] QBR [ETX]	[STX] LBRm [ETX]	Interroge sur le réglage de l'avertisseur sonore pour les résultats obtenus par l'exécution de REC REVIEW.
[STX] QCC [ETX]	[STX] CCP données [ETX]	Interroge sur les données du compteur (comme pour la commande QCD).
[STX] QCD [ETX]	[STX] CD données [ETX]	Interroge sur les données du compteur (comme pour la commande QCC).
[STX] QDA [ETX]	[STX] LDAm [ETX]	Interroge sur le réglage de sortie des signaux de contrôle à l'équipement raccordé à la borne ALARM OUT.
[STX] QDB [ETX]	[STX] DBm [ETX]	Interroge sur le réglage couleur des caractères.
[STX] QDD [ETX]	[STX] DDSd:t:m:r [ETX]	Interroge sur le réglage des rubriques de l'écran sur le moniteur.
[STX] QDF [ETX]	[STX] DFCm [ETX]	Interroge sur le mode d'affichage de l'écran.
[STX] QDM [ETX]	[STX] DMSd:m:n [ETX]	Interroge sur le réglage du mode d'affichage du registre de temps.
[STX] QDO [ETX]	[STX] LDO données1:données2 [ETX]	Interroge sur les réglage des heures de début et de fin quand les signaux de contrôle doivent être envoyés à l'appareil raccordé à la borne EXT TIMER OUT.
[STX] QDP [ETX]	[STX] DPPmm [ETX]	Interroge sur le réglage de position d'affichage à l'écran.
[STX] QDS [ETX]	[STX] LDSm [ETX]	Interroge sur la sélection du mode (trame ou image) pour l'exécution d'un arrêt sur image.
[STX] QDW [ETX]	[STX] LDWm [ETX]	Interroge sur le réglage de la sortie des signaux de contrôle à l'appareil raccordé à la borne WARNING/REC OUT.
[STX] QDX [ETX]	[STX] LDXm [ETX]	Interroge sur le réglage pour la commutation de la fonction du connecteur EXT SW IN/VIDEO OUT.
[STX] QFS:nn [ETX]	[STX] LFSnn:mmdd:p [ETX]	Interroge sur le réglage de la minuterie à réglage libre.
[STX] QHI [ETX]	[STX] HTIm [ETX]	Interroge sur le mode de fonctionnement à activer à l'insertion d'une cassette.
[STX] QHJ [ETX]	[STX] HEm [ETX]	Interroge sur le réglage de fonctionnement à effectuer sur pression de la touche EJECT.
[STX] QHL [ETX]	[STX] HRLm [ETX]	Interroge sur le réglage du mode de verrouillage des opérations pendant l'enregistrement.
[STX] QHR:H [ETX]	[STX] HTR données [ETX]	Interroge sur la durée de ruban restant.
[STX] QHT [ETX]	[STX] HREm [ETX]	Interroge sur le réglage du mode de fonctionnement à activer (pendant l'enregistrement) en fin de ruban.
[STX] QIC [ETX]	[STX] 1 [ETX]	Interroge sur le code d'identification de la zone produit.
[STX] QID [ETX]	[STX] données [ETX]	Interroge sur le code d'identification de l'appareil.

• Commandes de contrôle par interrogation

Données envoyées par le PC	Données envoyées en retour par l'appareil	Description de la commande
[STX] QIP:n [ETX]	[STX] LIPn:données1:données2:t [ETX]	Interroge sur le réglage d'enregistrement de la minuterie interne.
[STX] QIR [ETX]	[STX] LUImdonnées [ETX]	Interroge sur le code d'identification d'utilisateur de la cassette lue.
[STX] QIW [ETX]	[STX] LIWabcdefgh:ijklmnop [ETX]	Interroge sur les réglages de la minuterie hebdomadaire et de la minuterie quotidienne.
[STX] QLA:m [ETX]	[STX] LAMn [ETX]	Interroge sur les réglages de mode de fonctionnement à activer quand un signal d'alarme a été entré en fin de ruban et pour la durée de l'enregistrement déclenché sur signal d'alarme et/ou de l'enregistrement déclenché par capteur.
[STX] QMS [ETX]	[STX] LMSm [ETX]	Interroge sur les réglages de la minuterie auxquels les signaux vidéo qui sont fournis par la caméra et doivent être sortis au connecteur VIDEO OUT du panneau arrière doivent être commutés.
[STX] QLD:n [ETX]	[STX] LANnn:données1:données2 [ETX]	Interroge sur les données ALARM RECALL.
[STX] QLE [ETX]	[STX] LRIm [ETX]	Interroge sur les réglages pour l'enregistrement déclenché sur signal d'alarme ou l'enregistrement déclenché par capteur si un signal d'alarme a été entré pendant la reprise de l'enregistrement ou le rebobinage du ruban.
[STX] QLH [ETX]	[STX] LHRhhh [ETX]	Interroge sur la valeur actuelle de l'horodateur.
[STX] QLM [ETX]	[STX] LRMm [ETX]	Interroge sur le réglage de mode de l'enregistrement avec minuterie.
[STX] QLP:n [ETX]	[STX] LPLnn:données1:données2 [ETX]	Interroge sur les données POWER LOSS MEMORY.
[STX] QLT [ETX]	[STX] LTMm [ETX]	Interroge sur le réglage du mode de durée d'enregistrement/lecture.
[STX] QLZ [ETX]	[STX] LBZm [ETX]	Interroge sur le réglage de fonctionnement de l'avertisseur sonore pendant l'enregistrement déclenché sur signal d'alarme ou l'enregistrement déclenché par capteur.
[STX] QMA [ETX]	[STX] LMAm [ETX]	Interroge sur le mode de repérage.
[STX] QMP [ETX]	[STX] LMPp:c0c1c2c3 [ETX]	Interroge sur les réglages pour la commutation de l'écran (affichage 4 écrans ou affichage 1 écran) et sur le nombre de caméras.
[STX] QNL [ETX]	[STX] LLLm [ETX]	Interroge sur le réglage du système de synchronisation pour les caméras à raccorder.
[STX] QNR [ETX]	[STX] VNRm [ETX]	Interroge sur le réglage des signaux vidéo à envoyer sur l'écran en tous modes, sauf le mode d'enregistrement.
[STX] QOP [ETX]	[STX] données [ETX]	Interroge sur le mode de fonctionnement de l'appareil.
[STX] QOR [ETX]	[STX] ORm [ETX]	Interroge sur les résultats obtenus par l'exécution de REC REVIEW.
[STX] QOS [ETX]	[STX] OPSdonnées [ETX]	Interroge sur les modes de fonctionnement.
[STX] QPB:m [ETX]	[STX] LPBm:r:données [ETX]	Interroge sur les informations de la cassette lue.
[STX] QRA [ETX]	[STX] RAM [ETX]	Interroge sur le réglage de réponse au code ACK (accusé de réception).
[STX] QRE [ETX]	[STX] LRBm [ETX]	Interroge sur le réglage de fonctionnement de l'avertisseur sonore si l'appareil est maintenu en mode d'arrêt pendant une période prolongée.
[STX] QRF [ETX]	[STX] LNRf:p:t [ETX]	Interroge sur les réglages de mode d'enregistrement, finesse du trait et type d'enregistrement.

• Commandes de contrôle par interrogation

Données envoyées par le PC	Données envoyées en retour par l'appareil	Description de la commande
[STX] QRR [ETX]	[STX] LRRm [ETX]	Interroge sur le réglage REC REVIEW.
[STX] QRS [ETX]	[STX] RSEm [ETX]	Interroge sur le réglage de mode de fin de repérage.
[STX] QRV:m [ETX]	[STX] VERdonnées [ETX]	Interroge sur la version du logiciel.
[STX] QSQ [ETX]	[STX] LSQm:t [ETX]	Interroge sur le nombre de caméras et les réglages de mode séquentiel.
[STX] QST [ETX]	[STX] LSTdonnées1:données2 [ETX]	Interroge sur les réglages de date/heure de début et de fin pour l'heure d'été.
[STX] QSU [ETX]	[STX] LSUM [ETX]	Interroge sur le réglage ON/OFF pour l'heure d'été.
[STX] QTA [ETX]	[STX] TATmm:S [ETX]	Interroge sur l'heure à régler quand des signaux ont été entrés de l'appareil raccordé à TIME ADJ IN dans la section des bornes du panneau arrière.
[STX] QTC [ETX]	[STX] TTSdonnées [ETX]	Interroge sur le réglage d'heure actuelle.
[STX] QTL [ETX]	[STX] TCSdonnées [ETX]	Interroge sur le réglage de date actuelle.
[STX] QTR [ETX]	[STX] HTRm:b [ETX]	Interroge sur le réglage pour avertir de la proximité de la fin de ruban.
[STX] QTY:n [ETX]	[STX] LTYn:t:abcdefgh [ETX]	Interroge sur le réglage de combinaison de mode de durée d'enregistrement et de nombre de caméras.
[STX] QUI [ETX]	[STX] LUISdonnées [ETX]	Interroge sur le réglage de code d'identification de l'utilisateur enregistreur.
[STX] QVC [ETX]	[STX] VVCm:données [ETX]	Interroge sur les résultats de repérage de l'entrée du signal vidéo.
[STX] QVM [ETX]	[STX] VMDm [ETX]	Interroge sur le réglage de couleur des signaux de sortie vidéo.
[STX] QWB [ETX]	[STX] LWBm [ETX]	Interroge sur le réglage de l'avertisseur sonore en mode de coupure automatique.
[STX] QXT [ETX]	[STX] LXTm [ETX]	Interroge sur le réglage d'accusé de réception pour l'entrée du signal de la minuterie externe.

■ Commandes de contrôle de communication

Données envoyées par le PC	Données envoyées en retour par l'appareil	Description de la commande
[STX] RAF [ETX]	[STX] RAF [ETX]	<p>Invalide le retour du code ACK (accusé de réception).</p> <p><Remarque> Cette commande n'est pas accusée de réception pendant le traitement d'une commande de contrôle de repérage.</p>
[STX] RAN [ETX]	[STX] RAN [ETX]	<p>Valide le retour du code ACK (accusé de réception).</p> <p><Remarque> Cette commande n'est pas accusée de réception pendant le traitement d'une commande de contrôle de repérage.</p>
[STX] RCK [ETX]	[STX] RCK [ETX]	<p>Contrôle si la communication a été établie.</p> <p><Remarque> Cette commande n'est pas accusée de réception pendant le traitement d'une commande de contrôle de repérage.</p>
<p>[STX] RSE:m [ETX]</p> <p>Paramètre m =</p> <p>0: Normal 1: Pas de commande à la fin du repérage 2: Pas de commande à la fin du repérage/la découverte d'une erreur</p>	[STX] RSE [ETX]	<p>Règle la synchronisation à laquelle la commande d'achèvement de repérage est envoyée et règle la validation/invalidation de la transmission.</p> <ul style="list-style-type: none"> ● Quand "normal" est sélectionné Au démarrage du repérage: le code ACK est retourné. A la fin du repérage: [STX]□□□[ETX] est retourné. A l'interruption du repérage: [STX]ER□□□[EXT] est retourné. ● Quand "no command when search is completed" (aucune commande à la fin du repérage) est sélectionné Au démarrage du repérage: [STX]□□□[ETX] est retourné après le retour du code ACK. A la fin du repérage: Pas de retour A l'interruption du repérage: [STX]ER□□□[EXT] ... est retourné. ● Quand "no command when search is completed/when error is discovered" (aucune commande à la fin du repérage/à la découverte d'une erreur) est sélectionné Au démarrage du repérage: [STX]□□□[ETX] est retourné après le retour du code ACK. A la fin du repérage: Pas de retour A l'interruption du repérage: Pas de retour <p><Remarque> Cette commande n'est pas accusée de réception pendant le traitement de la commande contrôle de repérage.</p>

■ Commande de contrôle du compteur

Données envoyées par le PC	Données envoyées en retour par l'appareil	Description de la commande
<p>[STX] CCP:données [ETX]</p> <p>Paramètre données = ghmmssff g = Blanc : avec une valeur positive (+) signe - : avec une valeur négative (-) h = 0—9 : Heures (système 12 heures) mm = 00—59 : Minutes ss = 00—59 : Secondes ff = 00—29 : Images</p>	<p>[STX] CCP [ETX]</p>	<p>Prérègle la valeur du compteur désignée au compteur CTL.</p> <p><Remarque> Cette commande n'est pas accusée de réception pendant le traitement de la commande contrôle de repérage ou à l'éjection d'une cassette.</p>
<p>[STX] CLP:données [ETX]</p> <p>Paramètre données = ghmmssff g = Blanc : avec une valeur positive (+) signe - : avec une valeur négative (-) h = 0—9 : Heures (système 12 heures) mm = 00—59 : Minutes ss = 00—59 : Secondes ff = 00—29 : Images</p>	<p>[STX] CLP [ETX]</p>	<p>Prérègle la valeur du compteur désignée au compteur CTL.</p> <p><Remarque> Cette commande n'est pas accusée de réception pendant le traitement de la commande contrôle de repérage ou à l'éjection d'une cassette.</p>
<p>[STX] CRT [ETX]</p>	<p>[STX] CRT [ETX]</p>	<p>Prérègle les données du compteur CTL.</p> <p><Remarque> Cette commande n'est pas accusée de réception pendant le traitement de la commande contrôle de repérage.</p>

■ Commandes de contrôle d'affichage

Données envoyées par le PC	Données envoyées en retour par l'appareil	Description de la commande
[STX] DBB [ETX]	[STX] DBB [ETX]	Règle le noir comme couleur des caractères affichés à l'écran. <Remarque> Cette commande n'est pas accusée de réception pendant le traitement de la commande contrôle de repérage.
[STX] DBW [ETX]	[STX] DBW [ETX]	Règle le blanc comme couleur des caractères affichés à l'écran. <Remarque> Cette commande n'est pas accusée de réception pendant le traitement de la commande contrôle de repérage.
[STX] DDS:d:t:m:r [ETX] Paramètre d = N ou F (date) t = N ou F (heure) m = N ou F (mode durée d'enregistrement) r = N ou F (REC/ALARM) N: ON (affiché) F: OFF (non affiché)	[STX] DDS [ETX]	Règle les rubriques à afficher à l'écran. <Remarque> Cette commande n'est pas accusée de réception pendant le traitement de la commande contrôle de repérage.
[STX] DFC:m [ETX] Paramètre m = C: Affichage du compteur (COUNT) I: Affichage de l'horloge (TIME) M: Affichage du nombre de caméras (CAMERA) P: Affichage de passage (PASS)	[STX] DFC [ETX]	Règle le mode d'affichage du registre. <Remarque> Cette commande n'est pas accusée de réception pendant le traitement de la commande contrôle de repérage.
[STX] DMS:d:m:n [ETX] Paramètre d = T (fixe) m = M: Affichage AM/PM H: Affichage 24 heures n = 0—9: N° d'identification de magnétoscope Cet appareil n'a pas de fonction d'affichage du n° VTR ID, aussi tout numéro entre 0 et 9 peut être envoyé.	[STX] DMS [ETX]	Règle le mode du registre de temps (12 heures ou 24 heures). <Remarque> Cette commande n'est pas accusée de réception pendant le traitement de la commande contrôle de repérage.
[STX] DPP:mm [ETX] Paramètre mm = C: Centre LB: En bas à gauche LT: En haut à gauche RB: En bas à droite RT: En haut à droite	[STX] DPP [ETX]	Règle la position d'affichage des caractères à l'écran <Remarque> Cette commande n'est pas accusée de réception pendant le traitement de la commande contrôle de repérage.

■ Commandes de contrôle du fonctionnement du support

Données envoyées par le PC	Données envoyées en retour par l'appareil	Description de la commande
[STX] HEA [ETX]	[STX] HEA [ETX]	Règle l'opération qui doit avoir lieu quand la touche EJECT est pressée à REW → EJECT (la cassette est éjectée après rebobinage jusqu'au début du ruban) <Remarque> Cette commande n'est pas accusée de réception pendant le traitement de la commande contrôle de repérage.
[STX] HEE [ETX]	[STX] HEE [ETX]	Règle l'opération qui doit avoir lieu quand la touche EJECT est pressée à EJECT. <Remarque> Cette commande n'est pas accusée de réception pendant le traitement de la commande contrôle de repérage.
[STX] HRE:m [ETX] Paramètre m = B: BUZZER E: EJECT P: REPEAT R: REWIND S: STOP	[STX] HRE [ETX]	Règle le mode de fonctionnement de l'appareil à établir en arrivant en fin de ruban pendant l'enregistrement. <Remarque> Cette commande n'est pas accusée de réception pendant le traitement de la commande contrôle de repérage.
[STX] HRL:m [ETX] Paramètre m = F: Enregistrement validé N: Enregistrement invalidé	[STX] HRL [ETX]	Règle le mode de verrouillage du fonctionnement pendant l'enregistrement.
[STX] HTI:m [ETX] Paramètre m = A: REWIND → REC R: REC S: STOP	[STX] HTI [ETX]	Règle le mode de fonctionnement de l'appareil à établir à l'insertion de la cassette. <Remarque> Cette commande n'est pas accusée de réception pendant le traitement de la commande contrôle de repérage.
[STX] HTR:m:b [ETX] Paramètre m = 0: 2% de ruban restant 1: 10% de ruban restant 2: 20% de ruban restant 3: 30% de ruban restant F: (OFF) pas de mise en garde b = N: Mise en garde émise par avertisseur sonore. F: (OFF) Mise en garde non émise par avertisseur sonore.	[STX] HTR [ETX]	Règle la durée de ruban restant pour laquelle REMAIN clignote sur le registre comme mise en garde, et règle l'avertisseur sonore pour retentir à proximité de la fin du ruban (quand un ruban de 120 minutes est utilisé).

■ Commandes de contrôle du fonctionnement

Données envoyées par le PC	Données envoyées en retour par l'appareil	Description de la commande
[STX] OAC [ETX]	[STX] OAC [ETX]	Annule l'entrée du signal d'alarme.
[STX] OAF [ETX]	[STX] OAF [ETX]	Avance le ruban image par image vers l'avant.
[STX] OAI:n [ETX] Paramètre n = 1: ALARM IN 1 2: ALARM IN 2 Pas de paramètre: ALARM IN 1	[STX] OAI [ETX]	Entre le signal d'alarme.
[STX] OAR [ETX]	[STX] OAR [ETX]	Avance le ruban image par image en sens inverse.
[STX] OEJ [ETX]	[STX] OEJ [ETX]	Ejecte la cassette.
[STX] OFF [ETX]	[STX] OFF [ETX]	Avance le ruban en accéléré.
[STX] OPA [ETX]	[STX] OPA [ETX]	Règle l'appareil au mode pause (REC PAUSE ou PLAY PAUSE) ou au mode libération de pause (REC ou PLAY).
[STX] OPL [ETX]	[STX] OPL [ETX]	Lit le ruban.
[STX] OPR [ETX]	[STX] OPR [ETX]	Lit le ruban en sens inverse.
[STX] ORC [ETX]	[STX] ORC [ETX]	Règle l'appareil au mode d'enregistrement. Quand l'appareil est réglé à REC INHIBIT, le code d'erreur ERE est retourné de l'appareil.
[STX] ORR [ETX]	[STX] ORR [ETX]	Effectue REC REVIEW.
[STX] ORW [ETX]	[STX] ORW [ETX]	Rebobine le ruban.
[STX] OSF:n [ETX] Paramètre n = 1: vitesse normale × 1 4: vitesse normale × 4 7: vitesse normale × 7	[STX] OSF [ETX]	Règle la vitesse de lecture du ruban vers l'avant.
[STX] OSP [ETX]	[STX] OSP [ETX]	Règle l'appareil au mode d'arrêt.
[STX] OSR:n [ETX] Paramètre n = 1: vitesse normale × 1 4: vitesse normale × 4 7: vitesse normale × 7	[STX] OSR [ETX]	Règle la vitesse de lecture du ruban en sens inverse.

<Remarque>

Voir le Tableau de transition du mode RS-232C (page 101) pour les conditions dans lesquelles les commandes de contrôle du fonctionnement sont accusées de réception.

■ Commandes de contrôle d'alimentation

Données envoyées par le PC	Données envoyées en retour par l'appareil	Description de la commande
[STX] POF [ETX]	[STX] POF [ETX]	Règle l'interrupteur à OFF.
[STX] PON [ETX]	[STX] PON [ETX]	Règle l'interrupteur à ON.

■ Commandes de contrôle de repérage

Données envoyées par le PC	Données envoyées en retour par l'appareil	Description de la commande
<p>[STX] SAS:données [ETX]</p> <p>Paramètre données = nn:d nn = 0—9: Numéro d'alarme d = F: Vers l'avant N: En sens inverse</p>	<p>[STX] SAS [ETX]</p>	<p>Repère le numéro d'alarme désigné par le paramètre dans le sens désigné par le paramètre. L'appareil est réglé au mode STILL à la fin du repérage. Si la position désignée est une position illégale (à savoir si la position cible n'existe pas), le code d'erreur ERT est retourné par l'appareil, et le mode STOP est établi. Si la commande OSP (STOP) ou OEJ (EJECT ruban) est assignée pendant le fonctionnement, le code d'erreur ERI est retourné par l'appareil. Si le mode de fonctionnement de l'appareil est modifié par une opération au panneau avant, le code d'erreur ERF est retourné par l'appareil. Si le ruban arrive à son début ou sa fin pendant le fonctionnement, le code d'erreur ERP est retourné par l'appareil. Quand des données différant des données de référence sont envoyées, le code d'erreur ERE est retourné par l'appareil.</p> <p><Remarque> Cette commande n'est pas accusée de réception pendant le traitement de la commande contrôle de repérage ou quand l'un des modes suivants est établi.</p> <div style="border: 1px solid black; padding: 2px; width: fit-content;">EJECT, REC, REC PAUSE, REC CHECK, POWER OFF</div>
<p>[STX] SCP:données [ETX]</p> <p>Paramètre données = ghmmssff (données CTL référencées) g = Blanc : à valeur positive (+) signe - : à valeur négative (-) h = 0—9 : Heures mm = 00—59 : Minutes ss = 00—59 : Secondes ff = 00 (fixe) : Images</p>	<p>[STX] SCP [ETX]</p>	<p>Repère la valeur du compteur désignée par le paramètre. La lecture commence à la fin du repérage. Si la position désignée est une position illégale (à savoir si la position cible n'existe pas), le code d'erreur ERT est retourné par l'appareil, et le mode STOP est établi. Si la commande OSP (STOP) ou OEJ (EJECT ruban) est assignée pendant le fonctionnement, le code d'erreur ERI est retourné par l'appareil. Si le mode de fonctionnement de l'appareil est modifié par une opération au panneau avant, le code d'erreur ERF est retourné par l'appareil. Si le ruban arrive à son début ou sa fin pendant le fonctionnement, le code d'erreur ERP est retourné par l'appareil. Quand des données différant des données de référence sont envoyées, le code d'erreur ERE est retourné par l'appareil.</p> <p><Remarque> Cette commande n'est pas accusée de réception pendant le traitement de la commande contrôle de repérage ou quand l'un des modes suivants est établi.</p> <div style="border: 1px solid black; padding: 2px; width: fit-content;">EJECT, REC, REC PAUSE, REC CHECK, POWER OFF</div>

■ Search control commands

Données envoyées par le PC	Données envoyées en retour par l'appareil	Description de la commande
<p>[STX] SCS:données [ETX]</p> <p>Paramètre données = ghmmssff (données CTL référencées) g = Blanc : à valeur positive (+) signe - : à valeur négative (-) h = 0—9 : Heures mm = 00—59 : Minutes ss = 00—59 : Secondes ff = 00 (fixe) : Images</p>	<p>[STX] SCS [ETX]</p>	<p>Repère la valeur du compteur désignée par le paramètre. L'appareil est réglé au mode STILL à la fin de la recherche. Si la position désignée est une position illégale (à savoir si la position cible n'existe pas), le code d'erreur ERT est retourné par l'appareil, et le mode STOP est établi. Si la commande OSP(STOP) ou OEJ (EJECT ruban) est assignée pendant le fonctionnement, le code d'erreur ERI est retourné par l'appareil. Si le mode de fonctionnement de l'appareil est modifié par une opération au panneau avant, le code d'erreur ERF est retourné par l'appareil. Si le ruban arrive à son début ou sa fin pendant le fonctionnement, le code d'erreur ERP est retourné par l'appareil. Quand des données diffèrent des données de référence sont envoyées, le code d'erreur ERE est retourné par l'appareil.</p> <p><Remarque> Cette commande n'est pas accusée de réception pendant le traitement de la commande contrôle de repérage ou quand l'un des modes suivants est établi.</p> <div style="border: 1px solid black; padding: 2px; width: fit-content;"> EJECT, REC, REC PAUSE, REC CHECK, POWER OFF </div>
<p>[STX] SPT:données [ETX]</p> <p>Paramètre données = ghmmssff (données CTL référencées) g = Blanc : à valeur positive (+) signe - : à valeur négative (-) h = 0—9 : Heures mm = 00—59 : Minutes ss = 00—59 : Secondes ff = 00—29 : Images</p>	<p>[STX] SPT [ETX]</p>	<p>Repère la position désignée par le paramètre. L'appareil est réglé au mode STILL à la fin de la recherche. Si la position désignée est située avant la position actuelle, le mode STILL est établi sans lecture du ruban. Si la commande OSP (STOP) ou OEJ (EJECT ruban) est assignée pendant le fonctionnement, le code d'erreur ERI est retourné par l'appareil. Si le mode de fonctionnement de l'appareil est modifié par une opération au panneau avant, le code d'erreur ERF est retourné par l'appareil. Si le ruban arrive à son début ou sa fin pendant le fonctionnement, le code d'erreur ERP est retourné par l'appareil. Quand des données diffèrent des données de référence sont envoyées, le code d'erreur ERE est retourné par l'appareil.</p> <p><Remarque> Cette commande n'est pas accusée de réception pendant le traitement de la commande contrôle de repérage ou quand l'un des modes suivants est établi.</p> <div style="border: 1px solid black; padding: 2px; width: fit-content;"> EJECT, REC, REC PAUSE, REC CHECK, POWER OFF </div>

■ Commandes de contrôle de repérage

Données envoyées par le PC	Données envoyées en retour par l'appareil	Description de la commande
<p>[STX] STS:données [ETX]</p> <p>Paramètre</p> <p>données = mmdhhtt:d mm = 01—12: Mois dd = 01—31: Jour hh = 00—23: Heures tt = 00—59: Minutes d = F : Vers l'avant N : En sens inverse</p>	<p>[STX] STS [ETX]</p>	<p>Repère la date et l'heure désignées par le paramètre dans le sens désigné par le paramètre.</p> <p>L'appareil est réglé au mode STILL à la fin de la recherche.</p> <p>Si la position désignée est une position illégale (à savoir si la position cible n'existe pas), le code d'erreur ERT est retourné par l'appareil, et le mode STOP est établi.</p> <p>Si la commande OSP (STOP) ou OEJ (EJECT ruban) est assignée pendant le fonctionnement, le code d'erreur ERI est retourné par l'appareil.</p> <p>Si le mode de fonctionnement de l'appareil est modifié par une opération au panneau avant, le code d'erreur ERF est retourné par l'appareil.</p> <p>Si le ruban arrive à son début ou sa fin pendant le fonctionnement, le code d'erreur ERP est retourné par l'appareil.</p> <p>Quand des données différant des données de référence sont envoyées, le code d'erreur ERE est retourné par l'appareil.</p> <p><Remarque> Cette commande n'est pas accusée de réception pendant le traitement de la commande contrôle de repérage ou quand l'un des modes suivants est établi.</p> <div style="border: 1px solid black; padding: 2px; width: fit-content; margin: 5px auto;"> EJECT, REC, REC PAUSE, REC CHECK, POWER OFF </div>

■ Commandes de contrôle de la minuterie

Ces commandes ne sont pas accusées de réception pendant le traitement d'une commande de contrôle de repérage.

Données envoyées par le PC	Données envoyées en retour par l'appareil	Description de la commande
[STX] TAT:données [ETX] Paramètre données = mm:n mm = 00—23 : Chiffre(s) de l'heure à régler FF : Règle les chiffres des minutes à 00. n = S (fixe)	[STX] TAT [ETX]	Règle l'heure à régler quand des signaux ont été entrés d'un appareil raccordé à TIME ADJ IN dans la section bornes du panneau arrière.
[STX] TCS:données [ETX] Paramètre données = yyyyymmdd yyyy = 2000—2099: calendrier grégorien mm= 01—12: Mois dd = 01—31: Jour	[STX] TCS [ETX]	Règle la date actuelle. Quand un jour qui n'existe pas pour le mois concerné ou dû à une année bissextile a été réglé, le code d'erreur ERE est retourné par l'appareil.
[STX] TTS:données [ETX] Paramètre données = hhmmss hh = 00—23: Heures (système 24 heures) mm = 00—59: Minutes ss = 00—59: Secondes	[STX] TTS [ETX]	Règle l'heure actuelle.

■ Commande de contrôle vidéo

Ces commandes ne sont pas accusées de réception pendant le traitement d'une commande de contrôle de repérage.

Données envoyées par le PC	Données envoyées en retour par l'appareil	Description de la commande
[STX] VMD:m [ETX] Paramètre m = A: AUTO Couleur et monochrome sont commutés automatiquement selon les signaux entrés. B: B/W Monochrome est impérativement réglé.	[STX] VMD [ETX]	Règle la couleur des signaux vidéo de sortie.
[STX] VNR:m [ETX] Paramètre m = C: CAMERA Signaux vidéo fournis par les caméras B: BLUE BACK Signaux de fond bleu	[STX] VNR [ETX]	Règle les signaux vidéo (signaux vidéo de la caméra et signal de fond bleu) à envoyer à l'écran en tous modes, sauf le mode d'enregistrement.
[STX] VVC [ETX]	[STX] VVC [ETX]	Commute les caméras en séquence pour détecter si les signaux vidéo sont entrés aux connecteurs CAMERA IN 1 à 16. Les signaux ne sont pas détectables quand l'interrupteur est sur OFF. Les résultats de la détection sont contrôlés avec la commande QVC.

■ Commandes de contrôle de temps échelonné

Ces commandes ne sont pas accusées de réception pendant le traitement d'une commande de contrôle de repérage.

Données envoyées par le PC	Données envoyées en retour par l'appareil	Description de la commande
<p>[STX] LAD:m [ETX]</p> <p>Paramètre m = 0: 30 secondes 1: 1 minute 2: 1 minutes et 30 secondes 3: 2 minutes 4: 3 minutes 5: 6 minutes 6: 10 minutes 7: CONTINUE: L'enregistrement continue jusqu'à la fin du ruban. 8: MANUAL: Enregistrement seulement pendant l'entrée du signal d'alarme.</p>	[STX] LAD [ETX]	Règle la durée pendant laquelle l'enregistrement déclenché sur signal d'alarme ou l'enregistrement déclenché par senseur doit s'effectuer.
<p>[STX] LAI:m [ETX]</p> <p>Paramètre m = S: STOP Le mode d'arrêt est établi en fin de ruban. C: CONTINUE Le signal d'alarme entré est ignoré.</p>	[STX] LAI [ETX]	Règle le mode de fonctionnement à établir quand un signal d'alarme doit être entré en fin de ruban.
[STX] LAR [ETX]	[STX] LAR [ETX]	Supprime les données ALARM RECALL.
<p>[STX] LBM:m [ETX]</p> <p>Paramètre m = N: ON Sortie du signal de salve du noir F: OFF Pas de sortie du signal de salve du noir</p>	[STX] LBM [ETX]	Règle le traitement à effectuer pour le signal de salve du noir quand les signaux vidéo à envoyer des connecteurs de sortie du signal vidéo sont commutés.
<p>[STX] LBP:m [ETX]</p> <p>Paramètre m = *: Les signaux vidéo de toutes les caméras sont envoyés. 0: Caméra 1 1: Caméra 2 2: Caméra 3 3: Caméra 4 4: Caméra 5 5: Caméra 6 6: Caméra 7 7: Caméra 8 8: Caméra 9 9: Caméra 10 A: Caméra 11 B: Caméra 12 C: Caméra 13 D: Caméra 14 E: Caméra 15 F: Caméra 16</p>	[STX] LBP [ETX]	Empêche la sortie du connecteur VIDEO OUT des signaux vidéo de la caméra désignée par le paramètre.

■ Commandes de contrôle de temps échelonné

Ces commandes ne sont pas accusées de réception pendant le traitement d'une commande de contrôle de repérage.

Données envoyées par le PC	Données envoyées en retour par l'appareil	Description de la commande
<p>[STX] LBR:m [ETX]</p> <p>Paramètre m = N: Avertisseur sonore validé F: Avertisseur sonore invalidé</p>	[STX] LBR [ETX]	Règle l'avertisseur sonore de manière qu'il retentisse quand REC REVIEW indique que le niveau vidéo correct n'a pas été maintenu.
<p>[STX] LBZ:m [ETX]</p> <p>Paramètre m = N: Avertisseur sonore validé F: Avertisseur sonore invalidé</p>	[STX] LBZ [ETX]	Règle l'avertisseur sonore de manière qu'il retentisse pendant l'enregistrement déclenché sur signal d'alarme ou l'enregistrement déclenché par senseur.
<p>[STX] LMS:m [ETX]</p> <p>Paramètre m = 0: 1 seconde 1: 1,5 seconde 2: 2 secondes 3: 2,5 secondes 4: 3 secondes 5: 4 secondes 6: 5 secondes 7: 10 secondes</p>	[STX] LMS [ETX]	Règle la synchronisation à laquelle commuter les signaux vidéo fournis par la caméra et à envoyer au connecteur VIDEO OUT du panneau arrière.
<p>[STX] LDA:m [ETX]</p> <p>Paramètre m = C: CONTINUE La sortie des signaux de contrôle continue même après l'enregistrement. A: ALARM REC Les signaux de contrôle sont envoyés seulement pendant l'enregistrement déclenché sur signal d'alarme ou l'enregistrement déclenché par senseur.</p>	[STX] LDA [ETX]	Règle les signaux de contrôle à envoyer à l'appareil raccordé à ALARM OUT dans la section bornes du panneau arrière quand l'enregistrement déclenché sur signal d'alarme ou l'enregistrement déclenché par senseur est effectué.
<p>[STX] LDF:m [ETX]</p> <p>Paramètre m = I: Enregistrement de trame R: Enregistrement d'image</p>	[STX] LDF [ETX]	Règle l'enregistrement de trame ou l'enregistrement d'image à effectuer pour l'enregistrement déclenché sur signal d'alarme ou l'enregistrement déclenché par senseur.
<p>[STX] LDM:m [ETX]</p> <p>Paramètre m = F: OFF Le signal d'alarme entré est ignoré. M: ALARM/SENSOR L'enregistrement déclenché sur signal d'alarme ou l'enregistrement déclenché par senseur est effectué. A: ALARM L'enregistrement déclenché sur signal d'alarme est effectué. S: SENSOR L'enregistrement déclenché par senseur est effectué.</p>	[STX] LDM [ETX]	Règle l'enregistrement à effectuer à l'entrée d'un signal d'alarme.

■ Commandes de contrôle de temps échelonné

Ces commandes ne sont pas accusées de réception pendant le traitement d'une commande de contrôle de repérage.

Données envoyées par le PC	Données envoyées en retour par l'appareil	Description de la commande
[STX] LDO:données1:données2 [ETX] Paramètre données1 = hhmm (heure de début) données2 = hhmm (heure de fin) hh = 00—23: Heures (système 24 heures) mm = 00—59: Minutes	[STX] LDO [ETX]	Règle l'heure de début (START) et l'heure de fin (END) pour la sortie des signaux de contrôle à l'appareil raccordé à EXT TIMER OUT dans la section bornes du panneau arrière. <Remarque> Les signaux de contrôle ne sont pas envoyés quand la même heure est réglée pour les heures START et END.
[STX] LDP:m [ETX] Paramètre m = H: HIGH Enregistrement à finesse du trait élevée N: NORMAL Enregistrement à finesse du trait standard F: NO CHANGE Enregistrement avec la finesse du trait actuellement réglée	[STX] LDP [ETX]	Réglage de la finesse du trait pour l'enregistrement déclenché sur signal d'alarme et/ou l'enregistrement déclenché par senseur.
[STX] LDS:m [ETX] Paramètre m = I: Lecture de trame R: Lecture d'image	[STX] LDS [ETX]	Sélection de la lecture de trame ou lecture d'image pour l'arrêt sur image.
[STX] LDT:m:n [ETX] Paramètre m = 0—7: Type d'enregistrement de ALARM IN 1 n = 0—7: Type d'enregistrement de ALARM IN 2	[STX] LDT [ETX]	Réglage du type d'enregistrement à utiliser si un signal d'alarme a été entré à ALARM IN 1 ou 2.
[STX] LDW:m [ETX] Paramètre m = W: WARNING La sortie des signaux de contrôle continue. R: REC Les signaux de contrôle sont envoyés seulement pendant l'enregistrement.	[STX] LDW [ETX]	Règle la sortie des signaux de contrôle à l'appareil raccordé à WARNING/REC OUT dans la section bornes du panneau arrière en cas d'anomalie sur l'appareil.
[STX] LDX:m [ETX] Paramètre m = V: VIDEO OUT Connecteur de sortie du signal vidéo E: EXT SW IN Connecteur d'entrée du signal d'un commutateur cyclique externe	[STX] LDX [ETX]	Commute la fonction du connecteur EXT SW IN/VIDEO OUT du panneau arrière.

■ Commandes de contrôle de temps échelonné

Ces commandes ne sont pas accusées de réception pendant le traitement d'une commande de contrôle de repérage.

Données envoyées par le PC	Données envoyées en retour par l'appareil	Description de la commande
<p>[STX] LFS:nn:mmd:p [ETX]</p> <p>Paramètre</p> <p>nn = 00: Minuterie à réglage libre non réglée. 01—12: Numéro de la minuterie à réglage libre</p> <p>mm = 01—12: Mois</p> <p>dd = 01—31: Jour</p> <p>p = 0: Dimanche 1: Lundi 2: Mardi 3: Mercredi 4: Jeudi 5: Vendredi 6: Samedi F: Coupure de contact pendant la journée</p>	[STX] LFS [ETX]	Règle la minuterie à réglage libre. Quand un jour n'existant pas pour le mois a été réglé, le code d'erreur ERT est retourné par l'appareil.
<p>[STX] LIP:n:données1:données2:t [ETX]</p> <p>Paramètre</p> <p>n = 1—8: Numéro d'enregistrement de programme (PGM1—PGM8)</p> <p>données1 = hhmm (heure de début) données2 = hhmm (heure de fin)</p> <p>hh = 00—23: Heures (système 24 heures)</p> <p>mm = 00—59: Minutes</p> <p>t = 0—6: Type d'enregistrement (RT0—RT6)</p>	[STX] LIP [ETX]	Combine et enregistre trois rubriques - l'heure de début d'enregistrement, l'heure de fin d'enregistrement et le type d'enregistrement—en tant que programme pour l'enregistrement à effectuer avec la minuterie interne de l'appareil.
<p>[STX] LIW:abcdefgh:ijklmnop [ETX]</p> <p>Paramètre</p> <p>a—p = 1—8: Numéro d'enregistrement de programme (PGM1—PGM8)</p> <p>F: Minuterie non réglée</p> <div style="border: 1px solid black; padding: 5px;"> <p>a = Programme 1 le dimanche b = Programme 1 le lundi c = Programme 1 le mardi d = Programme 1 le mercredi e = Programme 1 le jeudi f = Programme 1 le vendredi g = Programme 1 le samedi h = Programme 1 quotidien i = Programme 2 le dimanche j = Programme 2 le lundi k = Programme 2 le mardi l = Programme 2 le mercredi m = Programme 2 le jeudi n = Programme 2 le vendredi o = Programme 2 le samedi p = Programme 2 quotidien</p> </div>	[STX] LIW [ETX]	Règle la minuterie hebdomadaire et la minuterie quotidienne.

■ Commandes de contrôle de temps échelonné

Ces commandes ne sont pas accusées de réception pendant le traitement d'une commande de contrôle de repérage.

Données envoyées par le PC	Données envoyées en retour par l'appareil	Description de la commande				
<p>[STX] LLL:m [ETX]</p> <p>Paramètre m = N: Type verrouillage de ligne F: Type synchronisation interne et synchronisation externe</p>	[STX] LLL [ETX]	<p>Règle le système de synchronisation de la ou des caméras raccordées.</p> <p><Remarques></p> <ul style="list-style-type: none"> ● L'emploi du type synchronisation interne des caméras est recommandé. ● Sélectionner le réglage ON (validé) même si un type de verrouillage de ligne de caméra est utilisé. 				
<p>[STX] LMA:m [ETX]</p> <p>Paramètre m = F: Mode de repérage invalidé M: Mode d'arrêt mémorisé A: Mode de repérage d'alarme</p>	[STX] LMA [ETX]	Commute le mode de repérage.				
<p>[STX] LMP:p:n [ETX]</p> <p>Paramètre p = S: Affichage 1 écran 0: Affichage 4 écrans; écran n°1 sélectionné 1: Affichage 4 écrans; écran n°2 sélectionné 2: Affichage 4 écrans; écran n°3 sélectionné 3: Affichage 4 écrans; écran n°4 sélectionné</p> <table border="1" style="margin-left: 40px;"> <tr> <td style="text-align: center; width: 30px;">0</td> <td style="text-align: center; width: 30px;">1</td> </tr> <tr> <td style="text-align: center;">2</td> <td style="text-align: center;">3</td> </tr> </table> <p>n = *: Caméra n°1 non modifiée. 0—F: Caméras n°1 à n°16: Le numéro de caméra est désigné pour le n° d'écran sélectionné par le paramètre p.</p>	0	1	2	3	[STX] LMP [ETX]	Commute l'affichage de l'écran (affichage 1 écran ou 4 écrans) et règle le numéro des caméras.
0	1					
2	3					
<p>[STX] LNR:f:p:t [ETX]</p> <p>Paramètre f = I: Lecture de trame R: Lecture d'image</p> <p>p = H: HIGH Enregistrement à finesse du trait élevée N: NORMAL Enregistrement à finesse du trait standard</p> <p>t = 0—7: Type d'enregistrement (RT0—7)</p>	[STX] LNR [ETX]	Règle le mode d'enregistrement, la finesse du trait et le type d'enregistrement.				

■ Commandes de contrôle de temps échelonné

Ces commandes ne sont pas accusées de réception pendant le traitement d'une commande de contrôle de repérage.

Données envoyées par le PC	Données envoyées en retour par l'appareil	Description de la commande
[STX] LRB:m [ETX] Paramètre m = F: Avertisseur sonore invalidé 0: 5 minutes 1: 10 minutes 2: 20 minutes 3: 30 minutes	[STX] LRB [ETX]	Règle l'avertisseur sonore de manière qu'il émette une mise en garde si l'appareil est maintenu en mode d'arrêt pendant la durée désignée par le paramètre.
[STX] LRI:m [ETX] Paramètre m = A: Le signal d'alarme entré est accusé de réception. F: Le signal d'alarme entré est ignoré.	[STX] LRI [ETX]	Règle si l'enregistrement déclenché sur signal d'alarme ou l'enregistrement déclenché par senseur doit être effectué si un signal d'alarme a été entré au cours de la reprise de l'enregistrement ou pendant le rebobinage du ruban.
[STX] LRM:m [ETX] Paramètre m = E: Enregistrement avec minuterie externe I: Enregistrement avec minuterie interne N: Enregistrement ordinaire	[STX] LRM [ETX]	Règle le mode d'enregistrement avec minuterie.
[STX] LRR:m [ETX] Paramètre m = N: REC REVIEW effectué automatiquement F: REC REVIEW invalidé	[STX] LRR [ETX]	Règle REC REVIEW. L'enregistrement est lu pendant une durée spécifique après enregistrement pour détecter si le niveau vidéo correct a été maintenu pendant l'enregistrement.
[STX] LSQ:m:t [ETX] Paramètre m = 0—F: Caméra n°1—16 t = A: Mode séquence automatique M: Mode séquence manuelle	[STX] LSQ [ETX]	Sélectionne le numéro de la caméra et le mode de séquence.
[STX] LST:données1:données2 [ETX] Paramètre données1 = ndmmtt (date/heure de début) données2 = ndmmtt (date/heure de fin) n = 1: 1re semaine 2: 2nde semaine 3: 3me semaine 4: 4me semaine L: Dernière semaine d = 0: Dimanche 1: Lundi 2: Mardi 3: Mercredi 4: Jeudi 5: Vendredi 6: Samedi mm = 01—12: Mois tt = 01—22: Heures	[STX] LST [ETX]	Règle la date/heure de début et de fin pour l'heure d'été.

■ Commandes de contrôle de temps échelonné

Ces commandes ne sont pas accusées de réception pendant le traitement d'une commande de contrôle de repérage.

Données envoyées par le PC	Données envoyées en retour par l'appareil	Description de la commande
[STX] LSU:m [ETX] Paramètre m = N: Réglage heure d'été validé F: Réglage heure d'été invalidé	[STX] LSU [ETX]	Active ou désactive le réglage d'heure d'été.
[STX] LTM:m [ETX] Paramètre m = 0: Enregistrement 3 heures 1: Enregistrement 9 heures 2: Enregistrement 12 heures 3: Enregistrement 18 heures 4: Enregistrement 24 heures 5: Enregistrement 48 heures 6: Enregistrement 72 heures 7: Enregistrement 96 heures 8: Enregistrement 120 heures 9: Enregistrement 180 heures A: Enregistrement 240 heures B: Enregistrement 360 heures C: Enregistrement 480 heures D: Enregistrement 960 heures	[STX] LTM [ETX]	Règle le mode de durée d'enregistrement.

■ Commandes de contrôle de temps échelonné

Ces commandes ne sont pas accusées de réception pendant le traitement d'une commande de contrôle de repérage.

Données envoyées par le PC	Données envoyées en retour par l'appareil	Description de la commande
<p>[STX] LTY:n:t:abcdefgh [ETX]</p> <p>Paramètre</p> <p>n = 1—6: Type d'enregistrement (RT1—6)</p> <p>t = 0: Enregistrement 3 heures 1: Enregistrement 9 heures 2: Enregistrement 12 heures 3: Enregistrement 18 heures 4: Enregistrement 24 heures 5: Enregistrement 48 heures 6: Enregistrement 72 heures 7: Enregistrement 96 heures 8: Enregistrement 120 heures 9: Enregistrement 180 heures A: Enregistrement 240 heures B: Enregistrement 360 heures C: Enregistrement 480 heures D: Enregistrement 960 heures F: OFF (réglage conforme à la touche TIME MODE)</p> <p>a = Y ou N: réglage des caméras n° 1 et 2 b = Y ou N: réglage des caméras n° 3 et 4 c = Y ou N: réglage des caméras n° 5 et 6 d = Y ou N: réglage des caméras n° 7 et 8 e = Y ou N: réglage des caméras n° 9 et 10 f = Y ou N: réglage des caméras n° 11 et 12 a = Y ou N: réglage des caméras n° 13 et 14 h = Y ou N: réglage des caméras n° 15 et 16</p> <p>Y: Utilisé N: Non utilisé</p>	[STX] LTY [ETX]	Règle la combinaison de mode de durée d'enregistrement et de numéro de caméra.
<p>[STX] LUI:données [ETX]</p> <p>Paramètre</p> <p>données = U7U6U5U4U7U3U2U1U0</p> <p>Un code ASCII est utilisé pour régler le code d'identification d'utilisateur à écrire sur les cassettes.</p> <p>4BIT × 8 binaire ↓ Code ASCII: 0—9, A—F</p>	[STX] LUI [ETX]	<p>Règle le code d'identification d'utilisateur (8 caractères alphanumériques max.).</p> <p>Le code d'identification d'utilisateur s'enregistre sur le ruban.</p> <p><Remarque> Les caractères alphanumériques suivants sont utilisables. 0, 1, 2, 3, 4, 5, 6, 7, 8, 9, A, B, C, D, E, F</p>
<p>[STX] LWB:m [ETX]</p> <p>Paramètre</p> <p>m = N: Avertisseur sonore invalidé F: Avertisseur sonore validé</p>	[STX] LWB [ETX]	Règle si l'avertisseur sonore doit retentir en cas d'anomalie sur l'appareil et si le contact est coupé automatiquement ou non.

■ Commandes de contrôle de temps échelonné

Ces commandes ne sont pas accusées de réception pendant le traitement d'une commande de contrôle de repérage.

Données envoyées par le PC	Données envoyées en retour par l'appareil	Description de la commande
[STX] LWR [ETX]	[STX] LWR [ETX]	Supprime les données POWER LOSS MEMORY.
[STX] LXT:m [ETX] Paramètre m = N: Les signaux sont accusés de réception. F: Les signaux ne sont pas accusés de réception.	[STX] LXT [ETX]	Règle si les signaux de la minuterie externe raccordée à la section bornes du panneau arrière doivent être accusés de réception ou non en mode enregistrement par minuterie externe.

■ Commandes de contrôle d'interrogation

Données envoyées par le PC	Données envoyées en retour par l'appareil	Description de la commande
[STX] QAL [ETX]	[STX] ALV0 [ETX]	Interroge sur le niveau d'adresse. Supporte seulement le niveau d'adresse 0 des normes MIS.
<p>[STX] QAM:m [ETX]</p> <p>Paramètre m = M: MODE Interroge sur le mode d'enregistrement à l'entrée d'un signal d'alarme.</p> <p>F: FIELD/FRAME Interroge sur le mode d'enregistrement dans lequel l'enregistrement déclenché sur signal d'alarme ou l'enregistrement déclenché par senseur doit être effectué.</p> <p>P: PICTRE QUALITY Interroge sur la finesse du trait avec laquelle l'enregistrement déclenché sur signal d'alarme ou l'enregistrement déclenché par senseur doit être effectué.</p> <p>T: ALARM 1/2 REC-TYPE Interroge sur le type d'enregistrement à utiliser à l'entrée d'un signal d'alarme à ALARM IN 1 ou 2.</p>	<p>[STX] LDmdonnées [ETX]</p> <p>Paramètre m = M: MODE</p> <div style="border: 1px solid black; padding: 5px;"> données = F: OFF Le signal d'alarme entré est ignoré. M: ALARM/SENSOR L'enregistrement déclenché sur signal d'alarme ou l'enregistrement déclenché par senseur est effectué. A: ALARM L'enregistrement déclenché sur signal d'alarme est effectué. S: SENSOR L'enregistrement déclenché par senseur est effectué. </div> <p>m = F: FIELD/FRAME</p> <div style="border: 1px solid black; padding: 5px;"> données = I: Enregistrement de trame R: Enregistrement d'image </div> <p>m = P: PICTRE QUALITY</p> <div style="border: 1px solid black; padding: 5px;"> données = H: HIGH L'enregistrement est effectué avec une finesse du trait élevée. N: NORMAL L'enregistrement est effectué à la finesse du trait standard. F: NO CHANGE L'enregistrement est effectué à la finesse du trait actuellement réglée. </div> <p>m = T: ALARM 1/2 REC-TYPE</p> <div style="border: 1px solid black; padding: 5px;"> données =m:n m = 0—7: Type enregistrement ALARM IN 1 n = 0—7: Type enregistrement ALARM IN 2 </div>	Interroge sur les réglages pour l'enregistrement déclenché sur signal d'alarme et l'enregistrement déclenché par senseur.
[STX] QBM [ETX]	[STX] LBMm [ETX]	Interroge sur le traitement du signal de salve du noir à la commutation des signaux vidéo à envoyer par le connecteur de sortie du signal vidéo.

■ Commandes de contrôle d'interrogation

Données envoyées par le PC	Données envoyées en retour par l'appareil	Description de la commande
[STX] QBP [ETX]	<p>[STX] LBPm [ETX]</p> <p>Paramètre m = *: Les signaux vidéo de toutes les caméras sont envoyés.</p> <p>0: Caméra 1 1: Caméra 2 2: Caméra 3 3: Caméra 4 4: Caméra 5 5: Caméra 6 6: Caméra 7 7: Caméra 8 8: Caméra 9 9: Caméra 10 A: Caméra 11 B: Caméra 12 C: Caméra 13 D: Caméra 14 E: Caméra 15 F: Caméra 16</p>	Interroge sur la caméra dont les signaux vidéo ne doivent pas être envoyés au connecteur VIDEO OUT.
[STX] QBR [ETX]	<p>[STX] LBRm [ETX]</p> <p>Paramètre m = N: Avertisseur sonore invalidé F: Avertisseur sonore validé</p>	Interroge sur le réglage pour le retentissement ou non de l'avertisseur sonore quand REC REVIEW révèle que le niveau vidéo correct n'a pas été maintenu.
[STX] QCC [ETX]	<p>[STX] CCPdonnées [ETX]</p> <p>Paramètre données = ghmmssff g = Blanc : Avec valeur positive (+) Signe - : Avec valeur négative (-) h = 0—9: Heures (système 12 heures) mm = 00—59 : Minutes ss = 00—59 : Secondes</p>	Interroge sur les données actuelles du compteur CTL (incréments d'1 seconde).
[STX] QCD [ETX]	<p>[STX] CDdonnées [ETX]</p> <p>Paramètre données = fwghmmssff f = F: Fin C: Approximatif w = S: Repérage STILL P: Repérage PLAY g = Blanc : Avec valeur positive (+) Signe - : Avec valeur négative (-) h = 0—9: Heures (système 12 heures) mm = 00—59 : Minutes ss = 00—59 : Secondes ff = 00 (fixe) : Images</p>	Interroge sur les données actuelles du compteur CLT.

■ Commandes de contrôle d'interrogation

Données envoyées par le PC	Données envoyées en retour par l'appareil	Description de la commande
[STX] QDA [ETX]	[STX] LDAm [ETX] Paramètre m = C: CONTINUE La sortie des signaux de contrôle continue même après l'enregistrement. A: ALARM REC Les signaux de contrôle sont envoyés seulement pendant l'enregistrement déclenché sur signal d'alarme ou l'enregistrement déclenché par senseur (ou les deux).	Interroge sur le réglage pour la sortie des signaux de contrôle à l'appareil raccordé à ALARM OUT dans la section bornes du panneau arrière quand l'enregistrement déclenché sur signal d'alarme ou l'enregistrement déclenché par senseur (ou les deux) est effectué.
[STX] QDB [ETX]	[STX] DBm [ETX] Paramètre m = B: BLACK W: WHITE	Interroge sur les couleurs des caractères qui doivent être affichés à l'écran.
[STX] QDD [ETX]	[STX] DDSd:t:m:r [ETX] Paramètre d = N ou F (date) t = N ou F (heure) m = N ou F (mode durée d'enregistrement) r = N ou F (REC/ALARM) N: ON (affiché) F: OFF (non affiché)	Interroge sur les rubriques à afficher à l'écran.
[STX] QDF [ETX]	[STX] DFCm [ETX] Paramètre m = C: (COUNT) registre I: (TIME) affichage de l'horloge M: (CAMERA) affichage du numéro de caméra P: (PASS) affichage de passage	Interroge sur le mode d'affichage du registre.
[STX] QDM [ETX]	[STX] DMSt:m:n [ETX] Paramètre d = T (fixed) m = M: Affichage AM/PM H: Affichage de 24-heures n = 0—9: N° d'identification de magnétoscope Cet appareil n'est pas doté de la fonction d'affichage du n° d'identification de magnétoscope, aussi un numéro (non déterminé) entre 0 et 9 est retourné.	Interroge sur le mode du registre de temps (système 12 heures ou 24 heures).
[STX] QDO [ETX]	[STX] LDOdonnées1:données2 [ETX] Paramètre données1 = hhmm (heure de début) données2 = hhmm (heure de fin) hh = 00—23: Heures (système 24 heures) mm = 00—59: Minutes	Interroge sur le réglage des heures de début et de fin auxquelles les signaux de contrôle doivent être envoyés à l'appareil raccordé à la borne EXT TIMER OUT du panneau arrière.

■ Commandes de contrôle d'interrogation

Données envoyées par le PC	Données envoyées en retour par l'appareil	Description de la commande
[STX] QDP [ETX]	[STX] DPPmm [ETX] Paramètre mm = C: Centre LB: En bas à gauche LT: En haut à gauche RB: En bas à droite RT: En haut à droite	Interroge sur la position à laquelle les caractères doivent être affichés sur l'écran.
[STX] QDS [ETX]	[STX] LDSm [ETX] Paramètre m = I: Lecture de trame R: Lecture d'image	Interroge sur l'activation de la lecture de trame ou lecture d'image pendant l'arrêt sur image.
[STX] QDW [ETX]	[STX] LDWm [ETX] Paramètre m = W: WARNING La sortie des signaux de contrôle continue. R: REC Les signaux de contrôle sont envoyés seulement pendant l'enregistrement.	Interroge sur le réglage des signaux de contrôle à envoyer à l'appareil raccordé à WARNING/REC OUT dans la section bornes du panneau arrière en cas d'anomalie sur l'appareil.
[STX] QDX [ETX]	[STX] LDXm [ETX] Paramètre m = V: VIDEO OUT Connecteur de sortie du signal vidéo E: EXT SW IN Connecteur d'entrée du signal du commutateur cyclique externe	Interroge sur la fonction du connecteur EXT WS IN/VIDEO OUT sur le panneau arrière.
[STX] QFS:nn [ETX] Paramètre nn = 01—12: Numéro de la minuterie à réglage libre	[STX] LFSnn:mmdd:p [ETX] Paramètre nn = 00: La minuterie à réglage libre n'est pas réglée. 01—12: Numéro de la minuterie à réglage libre mm = 01—12: Mois dd = 01—31: Jour p = 0: Dimanche 1: Lundi 2: Mardi 3: Mercredi 4: Jeudi 5: Vendredi 6: Samedi F: Coupure de contact toute la journée	Interroge sur le réglage de la minuterie à réglage libre.
[STX] QHI [ETX]	[STX] HTIm [ETX] Paramètre m = A: REWIND → REC R: REC S: STOP	Interroge sur le mode de fonctionnement de l'appareil à établir à l'insertion d'une cassette.

■ Commandes de contrôle d'interrogation

Données envoyées par le PC	Données envoyées en retour par l'appareil	Description de la commande
[STX] QHJ [ETX]	[STX] HEm [ETX] Paramètre m = E: EJECT A: REWIND → EJECT	Interroge sur le réglage pour l'opération à effectuer en cas de pression de la touche EJECT.
[STX] QHL [ETX]	[STX] HRLm [ETX] Paramètre m = F: Enregistrement validé N: Enregistrement invalidé	Interroge sur le mode de verrouillage pour les opérations en cours d'enregistrement.
[STX] QHR:H [ETX]	[STX] HTRdonnées [ETX] Paramètre données = hhmmss hh = 00—23: Heures mm = 00—59: Minutes ss = 00 (fixe): Secondes	Interroge sur la durée de ruban restant. Quand la durée est indéterminée ou que la cassette a été éjectée, data = FFFFFFFF est retourné. <Remarque> Cette commande est validée quand une cassette de 120 minutes est utilisée et que le mode d'enregistrement 3 heures est sélectionné.
[STX] QHR:H [ETX]	[STX] HTRdonnées [ETX] Paramètre données = hhmmss hh = 00—23: Heures mm = 00—59: Minutes ss = 00 (fixe): Secondes	Interroge sur la durée de ruban restant. Quand la durée est indéterminée ou que la cassette a été éjectée, data = FFFFFFFF est retourné. <Remarque> Cette commande est validée quand une cassette de 120 minutes est utilisée et que le mode d'enregistrement 3 heures est sélectionné.
[STX] QHT [ETX]	[STX] HREm [ETX] Paramètre m = B: BUZZER E: EJECT P: REPEAT R: REWIND S: STOP	Interroge sur le mode de fonctionnement de l'appareil à établir quand le ruban arrive à sa fin pendant l'enregistrement.
[STX] QIC [ETX]	[STX] 1 [ETX]	Interroge sur le code d'identification de la zone du produit. L'appareil retourne "1" pour un appareil à ruban.
[STX] QID [ETX]	[STX] données [ETX] Paramètre données = AG-DTL1P	Interroge sur le code d'identification de l'appareil.
[STX] QIP:n [ETX] Paramètre n = 1—8: Numéro d'enregistrement de programme (PGM1—PGM8)	[STX] LIPn:données1:données2:t [ETX] Paramètre n = 1—8: Numéro d'enregistrement de programme (PGM1—PGM8) données1 = hhmm (heure de début) données2 = hhmm (heure de fin) hh = 00—23: Heures (système 24 heures) mm = 00—59: Minutes t = 0—6: Type d'enregistrement (RT0—RT6)	Interroge sur le programme qui combine trois rubriques—heure de début d'enregistrement, heure de fin d'enregistrement et type d'enregistrement—pour l'enregistrement avec la minuterie interne de l'appareil.

■ Commandes de contrôle d'interrogation

Données envoyées par le PC	Données envoyées en retour par l'appareil	Description de la commande
[STX] QIR [ETX]	<p>[STX] LUI données [ETX]</p> <p>Paramètre m = R: READ OK E: READ NG</p> <p>données = U7U6U5U4U7U3U2U1U0</p> <p>Le code d'identification d'utilisateur est retourné en tant que code ASCII de 8 caractères. 4BIT × 8 binaire ↓ Code ASCII: 0—9, A—F</p>	Interroge sur le code d'identification d'utilisateur enregistré sur le ruban lu.
[STX] QIW [ETX]	<p>[STX] LIW abcdefgh:ijklmnop [ETX]</p> <p>Paramètre a—p = 1—8: Numéro d'enregistrement de programme (PGM1—PGM8) F: Minuterie non réglée</p> <div style="border: 1px solid black; padding: 5px;"> <p>a = Programme 1 le dimanche b = Programme 1 le lundi c = Programme 1 le mardi d = Programme 1 le mercredi e = Programme 1 le jeudi f = Programme 1 le vendredi g = Programme 1 le samedi h = Programme 1 quotidien i = Programme 2 le dimanche j = Programme 2 le lundi k = Programme 2 le mardi l = Programme 2 le mercredi m = Programme 2 le jeudi n = Programme 2 le vendredi o = Programme 2 le samedi p = Programme 2 quotidien</p> </div>	Interroge sur la minuterie hebdomadaire et la minuterie quotidienne.
<p>[STX] QLA:m [ETX]</p> <p>Paramètre m = I: Mode de fonctionnement D: Réglage du mode de temps</p>	<p>[STX] LAMn [ETX]</p> <p>Paramètre m = I: Mode de fonctionnement</p> <div style="border: 1px solid black; padding: 5px;"> <p>n = S: STOP Mode arrêt en fin de ruban C: CONTINUE L'entrée du signal d'alarme est ignorée.</p> </div> <p>m = D: Réglage du mode de temps</p> <div style="border: 1px solid black; padding: 5px;"> <p>n = 0: 30 secondes 1: 1 minute 2: 1 minute et 30 secondes 3: 2 minutes 4: 3 minutes 5: 6 minutes 6: 10 minutes 7: CONTINUE L'enregistrement continue jusqu'à la fin du ruban. 8: MANUAL Enregistrement seulement pendant l'entrée du signal d'alarme.</p> </div>	Interroge sur le mode de fonctionnement à établir quand un signal d'alarme a été entré en fin de ruban, et la durée de l'enregistrement déclenché sur signal d'alarme et/ou l'enregistrement déclenché par senseur.

■ Commandes de contrôle d'interrogation

Données envoyées par le PC	Données envoyées en retour par l'appareil	Description de la commande
[STX] QMS [ETX]	[STX] LMSm [ETX] Paramètre m = 0: 1 seconde 1: 1,5 seconde 2: 2 secondes 3: 2,5 secondes 4: 3 secondes 5: 4 secondes 6: 5 secondes 7: 10 secondes	Interroge sur la synchronisation de commutation des signaux vidéo fournis par la caméra et à envoyer au connecteur VIDEO OUT du panneau arrière.
[STX] QLD:n [ETX] Paramètre n = 0—7 Les 8 derniers jeux de données maximum sont désignés par ce paramètre, 0 servant de dernière donnée.	[STX] LANnn:données1:données2 [ETX] Paramètre nn = 00—99: Numéro d'alarme données1 = yyyyymmdd yyyy = 2000—2099: Calendrier grégorien mm: 01—12: Mois dd = 01—31: Jour données2 = hhmmss hh = 00—23: Heures (système 24 heures) mm = 00—59: Minutes ss = 00—59: Secondes	Interroge sur les données ALARM RECALL.
[STX] QLE [ETX]	[STX] LRIm [ETX] Paramètre m = A: L'entrée du signal d'alarme est accusée de réception. F: L'entrée du signal d'alarme est ignorée.	Interroge sur le réglage de l'enregistrement déclenché sur signal d'alarme et/ou l'enregistrement déclenché par capteur à effectuer si un signal d'alarme a été entré pendant la reprise de l'enregistrement ou pendant le rebobinage du ruban.
[STX] QLH [ETX]	[STX] LHRhhh [ETX] Paramètre hhh = 0000—9999 Le temps de rotation cumulé du cylindre en heures est retourné sous forme de nombre de 4 chiffres.	Interroge sur la valeur actuelle de l'horodateur.
[STX] QLM [ETX]	[STX] LRMm [ETX] Paramètre m = E: Enregistrement avec minuterie externe I: Enregistrement avec minuterie interne N: Enregistrement ordinaire	Interroge sur le réglage de mode d'enregistrement par minuterie.

■ Commandes de contrôle d'interrogation

Données envoyées par le PC	Données envoyées en retour par l'appareil	Description de la commande
<p>[STX] QLP:n [ETX]</p> <p>Paramètre n = 0—3 Les 4 derniers jeux de données maximum sont désignés par ce paramètre, 0 servant de dernière donnée.</p>	<p>[STX] LPLnn:données1:données2 [ETX]</p> <p>Paramètre nn = 00—99: Numéro d'alarme</p> <p>données1 = yyyyymmdd yyyy = 2000—2099: Calendrier grégorien mm: 01—12: Mois dd = 01—31: Jour</p> <p>données2 = hhmmss hh = 00—23: Heures (système 24 heures) mm = 00—59: Minutes ss = 00—59: Secondes</p>	Interroge sur les données POWER LOSS MEMORY
<p>[STX] QLT [ETX]</p>	<p>[STX] LTMm [ETX]</p> <p>Paramètre t = 0: Enregistrement 3 heures 1: Enregistrement 9 heures 2: Enregistrement 12 heures 3: Enregistrement 18 heures 4: Enregistrement 24 heures 5: Enregistrement 48 heures 6: Enregistrement 72 heures 7: Enregistrement 96 heures 8: Enregistrement 120 heures 9: Enregistrement 180 heures A: Enregistrement 240 heures B: Enregistrement 360 heures C: Enregistrement 480 heures D: Enregistrement 960 heures</p>	Interroge sur les réglages de mode de durée d'enregistrement/lecture.
<p>[STX] QLZ [ETX]</p>	<p>[STX] LBZm [ETX]</p> <p>Paramètre m = N: Avertisseur sonore validé F: Avertisseur sonore invalidé</p>	Interroge sur le réglage de fonctionnement de l'avertisseur sonore pendant l'enregistrement déclenché sur signal d'alarme et/ou l'enregistrement déclenché par senseur.
<p>[STX] QMA [ETX]</p>	<p>[STX] LMAm [ETX]</p> <p>Paramètre m = F: Mode de repérage invalidé M: Mode d'arrêt mémorisé A: Mode de repérage d'alarme</p>	Interroge sur le mode de repérage.

■ Commandes de contrôle d'interrogation

Données envoyées par le PC	Données envoyées en retour par l'appareil	Description de la commande				
[STX] QMP [ETX]	<p>[STX] LMPp:c0c1c2c3 [ETX]</p> <p>Paramètre</p> <p>p = S: Affichage 1 écran 0: Affichage 4 écrans; écran n°0 sélectionné 1: Affichage 4 écrans; écran n°1 sélectionné 2: Affichage 4 écrans; écran n°2 sélectionné 3: Affichage 4 écrans; écran n°3 sélectionné</p> <table border="1" data-bbox="618 615 776 732"> <tr> <td style="text-align: center; width: 20px;">0</td> <td style="text-align: center; width: 20px;">1</td> </tr> <tr> <td style="text-align: center;">2</td> <td style="text-align: center;">3</td> </tr> </table> <p>c₀ = 0—F: Numéros de caméra désignés pour l'écran n°0 sélectionné c₁ = 0—F: Numéros de caméra désignés pour l'écran n°1 sélectionné c₂ = 0—F: Numéros de caméra désignés pour l'écran n°2 sélectionné c₃ = 0—F: Numéros de caméra désignés pour l'écran n°3 sélectionné</p>	0	1	2	3	Interroge sur les réglages de l'écran (affichage 1 écran ou 4 écrans) et le nombre de caméras.
0	1					
2	3					
[STX] QNL [ETX]	<p>[STX] LLLm [ETX]</p> <p>Paramètre</p> <p>m = N: Type de verrouillage de ligne F: Type synchronisation interne et synchronisation externe</p>	Interroge sur le système de synchronisation de la caméra raccordée.				
[STX] QNR [ETX]	<p>[STX] VNRm [ETX]</p> <p>Paramètre</p> <p>m = C: CAMERA Signaux vidéo d'une caméra B: BLUE BACK Signaux de fond bleu</p>	Interroge sur le réglage des signaux vidéo à envoyer à l'écran en tous modes, sauf le mode d'enregistrement.				

■ Commandes de contrôle d'interrogation

Données envoyées par le PC	Données envoyées en retour par l'appareil	Description de la commande
[STX] QOP [ETX]	[STX] données [ETX] données = LIT: INTERNAL TIEMER RECORDING OSP: STOP OEJ: EJECT OFF: FAST FORWARD ORW: REWIND OSF: FORWARD SEARCH OSR: REVERSE SEARCH OPL: FORWARD PLAY OPP: PLAY PAUSE OPR: REVERSE PLAY ORC: REC ORP: REC PAUSE ORR: REC REVIEW POF: POWER OFF SAS: ALARM RECALL PLAY SCS: COUNTER SEARCH (STILL) SCP: COUNTER SEARCH (PLAY) SPT: PLAY to	Interroge sur le mode de fonctionnement de l'appareil. L'état actuel de l'appareil est détecté, et la commande d'état est retournée.
[STX] QOR [ETX]	[STX] ORm [ETX] Paramètre m = O: REC REVIEW OK N: REC REVIEW NG	Interroge sur les résultats de l'exécution de REC REVIEW.
[STX] QOR [ETX]	[STX] ORm [ETX] Paramètre m = O: REC REVIEW OK N: REC REVIEW NG	Interroge sur les résultats de l'exécution de REC REVIEW.
[STX] QOS [ETX]	[STX] OPSdonnées [ETX] données = AD0AD1AD2AD3AD4 <Remarque> Voir le tableau en mode point (A) pour les détails de AD*.	Interroge sur les modes de fonctionnement de l'appareil. L'état actuel de l'appareil est détecté et envoyé sous forme d'information en mode point. L'appareil convertit cette information en mode point en codes ASCII, puis la retourne.

● Tableau en mode point (A)

ADRESSE	BIT7	BIT6	BIT5	BIT4	BIT3	BIT2	BIT1	BIT0
AD 0	0	0	0	0	0	0	0	0
AD 1	0	0	0	0	0	0	0	0
AD 2	LANGUETTE D'INTERDICTION D'ENREGISTREMENT	INSERTION/ RETRAIT DE CASSETTE	0	ETAT DU MAGNETOSCOPE				
AD 3	0	0	0	0	0	0	0	0
AD 4	0	0	0	0	0	0	0	0

DONNEES D'ETAT DU MAGNETOSCOPE

BIT4—BIT0	ETAT DU MAGNETOSCOPE	BIT4—BIT0	ETAT DU MAGNETOSCOPE
0, 1, 1, 1, 1	REPERAGE VERS L'AVANT (vitesse normale ×7)	0, 0, 1, 1, 1	PAUSE A LA LECTURE
0, 1, 1, 1, 0	REPERAGE EN SENS INVERSE (vitesse normale ×7)	0, 0, 1, 1, 0	LECTURE
0, 1, 1, 0, 1	REPERAGE VERS L'AVANT (vitesse normale ×4)	0, 0, 1, 0, 1	REPERAGE VERS L'AVANT (vitesse normale ×1)
0, 1, 1, 0, 0	REPERAGE EN SENS INVERSE (vitesse normale ×4)	0, 0, 1, 0, 0	COUPURE DE CONTACT
0, 1, 0, 1, 1	REPERAGE EN SENS INVERSE (vitesse normale ×1)	0, 0, 0, 1, 1	AVANCE ACCELEREE
0, 1, 0, 1, 0	REVISION D'ENREGISTREMENT	0, 0, 0, 1, 0	REBOBINAGE
0, 1, 0, 0, 1	PAUSE A L'ENREGISTREMENT	0, 0, 0, 0, 1	EJECTION
0, 1, 0, 0, 0	ENREGISTREMENT	0, 0, 0, 0, 0	ARRET

■ Commandes de contrôle d'interrogation

Données envoyées par le PC	Description de la commande			
<p style="text-align: center;">[STX] QPB:m [ETX]</p> <p>Paramètre m = D: Information de date T: Information d'heure C: Information de raccordement de caméra R: Information de mode de durée d'enregistrement A: Information de numéro d'alarme O: Information d'affichage à l'écran</p>	<p>Interroge sur l'information de ruban lu.</p>			
<p>Données envoyées en retour par l'appareil</p>				
<p style="text-align: center;">[STX] LPBm:r:données [ETX]</p> <p>Paramètre</p> <table border="0" style="width: 100%; border-collapse: collapse;"> <tr> <td style="width: 33%; vertical-align: top; border-right: 1px dashed black; padding-right: 10px;"> <p>m = D: Information de date r = O: READ OK N: READ NG</p> <div style="border: 1px solid black; padding: 5px; margin-bottom: 10px;"> données = yyyyymmdd yyyy = 2000—2099: Calendrier grégorien mm = 01—12: Mois dd = 01—31: Jour </div> <p>m = T: Information d'heure r = O: READ OK N: READ NG</p> <div style="border: 1px solid black; padding: 5px; margin-bottom: 10px;"> données = hhmmss hh = 00—23: Heures mm = 00—59: Minutes ss = 00—59: Secondes </div> <p>m = C: Information de raccordement de caméra r = O: READ OK N: READ NG</p> <div style="border: 1px solid black; padding: 5px;"> données = C13-16C9-12C5-8C1-4 C13-16 = 1—F: Information de raccordement pour les caméras n° 13—16 C9-12 = 1—F: Information de raccordement pour les caméras n° 9—12 C5-8 = 1—F: Information de raccordement pour les caméras n° 5—8 C1-4 = 1—F: Information de raccordement pour les caméras n° 1—4 <Remarque> Voir le tableau d'information sur le raccordement des caméras pour les détails sur C*. </div> </td> <td style="width: 33%; vertical-align: top; border-right: 1px dashed black; padding-right: 10px;"> <p>m = R: Information de mode de durée d'enregistrement r = O: READ OK N: READ NG</p> <div style="border: 1px solid black; padding: 5px; margin-bottom: 10px;"> données = t t = 0: Enregistrement 3 heures 1: Enregistrement 9 heures 2: Enregistrement 12 heures 3: Enregistrement 18 heures 4: Enregistrement 24 heures 5: Enregistrement 48 heures 6: Enregistrement 72 heures 7: Enregistrement 96 heures 8: Enregistrement 120 heures 9: Enregistrement 180 heures A: Enregistrement 240 heures B: Enregistrement 360 heures C: Enregistrement 480 heures D: Enregistrement 960 heures </div> <p>m = A: Information de numéro d'alarme r = O: READ OK N: READ NG</p> <div style="border: 1px solid black; padding: 5px;"> données = nn nn = 00—99: Numéro d'alarme FF: Pas de donnée d'alarme </div> </td> <td style="width: 33%; vertical-align: top; padding-left: 10px;"> <p>m = O: Information d'affichage à l'écran r = O: READ OK N: READ NG</p> <div style="border: 1px solid black; padding: 5px; margin-bottom: 10px;"> données = xx:yy:d1d2 xx = 00—22: Position du premier caractère (en sens horizontal) Position à partir de la gauche quand l'écran a été divisé horizontalement en 22 segments. yy = 00—14: Position du premier caractère (en sens vertical) Position à partir du haut quand l'écran a été divisé verticalement en 14 segments. d1d2 = 00—FF: Activation/désactivation de l'affichage à l'écran <Remarque> Voir le tableau des informations affichées à l'écran pour les détails sur d1d2. </div> </td> </tr> </table>		<p>m = D: Information de date r = O: READ OK N: READ NG</p> <div style="border: 1px solid black; padding: 5px; margin-bottom: 10px;"> données = yyyyymmdd yyyy = 2000—2099: Calendrier grégorien mm = 01—12: Mois dd = 01—31: Jour </div> <p>m = T: Information d'heure r = O: READ OK N: READ NG</p> <div style="border: 1px solid black; padding: 5px; margin-bottom: 10px;"> données = hhmmss hh = 00—23: Heures mm = 00—59: Minutes ss = 00—59: Secondes </div> <p>m = C: Information de raccordement de caméra r = O: READ OK N: READ NG</p> <div style="border: 1px solid black; padding: 5px;"> données = C13-16C9-12C5-8C1-4 C13-16 = 1—F: Information de raccordement pour les caméras n° 13—16 C9-12 = 1—F: Information de raccordement pour les caméras n° 9—12 C5-8 = 1—F: Information de raccordement pour les caméras n° 5—8 C1-4 = 1—F: Information de raccordement pour les caméras n° 1—4 <Remarque> Voir le tableau d'information sur le raccordement des caméras pour les détails sur C*. </div>	<p>m = R: Information de mode de durée d'enregistrement r = O: READ OK N: READ NG</p> <div style="border: 1px solid black; padding: 5px; margin-bottom: 10px;"> données = t t = 0: Enregistrement 3 heures 1: Enregistrement 9 heures 2: Enregistrement 12 heures 3: Enregistrement 18 heures 4: Enregistrement 24 heures 5: Enregistrement 48 heures 6: Enregistrement 72 heures 7: Enregistrement 96 heures 8: Enregistrement 120 heures 9: Enregistrement 180 heures A: Enregistrement 240 heures B: Enregistrement 360 heures C: Enregistrement 480 heures D: Enregistrement 960 heures </div> <p>m = A: Information de numéro d'alarme r = O: READ OK N: READ NG</p> <div style="border: 1px solid black; padding: 5px;"> données = nn nn = 00—99: Numéro d'alarme FF: Pas de donnée d'alarme </div>	<p>m = O: Information d'affichage à l'écran r = O: READ OK N: READ NG</p> <div style="border: 1px solid black; padding: 5px; margin-bottom: 10px;"> données = xx:yy:d1d2 xx = 00—22: Position du premier caractère (en sens horizontal) Position à partir de la gauche quand l'écran a été divisé horizontalement en 22 segments. yy = 00—14: Position du premier caractère (en sens vertical) Position à partir du haut quand l'écran a été divisé verticalement en 14 segments. d1d2 = 00—FF: Activation/désactivation de l'affichage à l'écran <Remarque> Voir le tableau des informations affichées à l'écran pour les détails sur d1d2. </div>
<p>m = D: Information de date r = O: READ OK N: READ NG</p> <div style="border: 1px solid black; padding: 5px; margin-bottom: 10px;"> données = yyyyymmdd yyyy = 2000—2099: Calendrier grégorien mm = 01—12: Mois dd = 01—31: Jour </div> <p>m = T: Information d'heure r = O: READ OK N: READ NG</p> <div style="border: 1px solid black; padding: 5px; margin-bottom: 10px;"> données = hhmmss hh = 00—23: Heures mm = 00—59: Minutes ss = 00—59: Secondes </div> <p>m = C: Information de raccordement de caméra r = O: READ OK N: READ NG</p> <div style="border: 1px solid black; padding: 5px;"> données = C13-16C9-12C5-8C1-4 C13-16 = 1—F: Information de raccordement pour les caméras n° 13—16 C9-12 = 1—F: Information de raccordement pour les caméras n° 9—12 C5-8 = 1—F: Information de raccordement pour les caméras n° 5—8 C1-4 = 1—F: Information de raccordement pour les caméras n° 1—4 <Remarque> Voir le tableau d'information sur le raccordement des caméras pour les détails sur C*. </div>	<p>m = R: Information de mode de durée d'enregistrement r = O: READ OK N: READ NG</p> <div style="border: 1px solid black; padding: 5px; margin-bottom: 10px;"> données = t t = 0: Enregistrement 3 heures 1: Enregistrement 9 heures 2: Enregistrement 12 heures 3: Enregistrement 18 heures 4: Enregistrement 24 heures 5: Enregistrement 48 heures 6: Enregistrement 72 heures 7: Enregistrement 96 heures 8: Enregistrement 120 heures 9: Enregistrement 180 heures A: Enregistrement 240 heures B: Enregistrement 360 heures C: Enregistrement 480 heures D: Enregistrement 960 heures </div> <p>m = A: Information de numéro d'alarme r = O: READ OK N: READ NG</p> <div style="border: 1px solid black; padding: 5px;"> données = nn nn = 00—99: Numéro d'alarme FF: Pas de donnée d'alarme </div>	<p>m = O: Information d'affichage à l'écran r = O: READ OK N: READ NG</p> <div style="border: 1px solid black; padding: 5px; margin-bottom: 10px;"> données = xx:yy:d1d2 xx = 00—22: Position du premier caractère (en sens horizontal) Position à partir de la gauche quand l'écran a été divisé horizontalement en 22 segments. yy = 00—14: Position du premier caractère (en sens vertical) Position à partir du haut quand l'écran a été divisé verticalement en 14 segments. d1d2 = 00—FF: Activation/désactivation de l'affichage à l'écran <Remarque> Voir le tableau des informations affichées à l'écran pour les détails sur d1d2. </div>		

● Tableau des informations de raccordement des caméras

Commande retournée	N° de caméra et validation (O)/invalidation (X) du raccordement			
	N° 1 (5, 9, 13)	N° 2 (6, 10, 14)	N° 3 (7, 11, 15)	N° 4 (8, 12, 16)
1	O	X	X	X
2	X	O	X	X
3	O	O	X	X
4	X	X	O	X
5	O	X	O	X
6	X	O	O	X
7	O	O	O	X
8	X	X	X	O
9	O	X	X	O
A	X	O	X	O
B	O	O	X	O
C	X	X	O	O
D	O	X	O	O
E	X	O	O	O
F	O	O	O	O

● Tableau des informations affichées à l'écran

Commande retournée (d1)	Validation (O)/invalidation (X) des informations affichées à l'écran			
	Caméra n°	Heure	Date	Numéro d'alarme
0	X	X	X	X
1	O	X	X	X
2	X	O	X	X
3	O	O	X	X
4	X	X	O	X
5	O	X	O	X
6	X	O	O	X
7	O	O	O	X
8	X	X	X	O
9	O	X	X	O
A	X	O	X	O
B	O	O	X	O
C	X	X	O	O
D	O	X	O	O
E	X	O	O	O
F	O	O	O	O

Commande retournée (d2)	Validation (O)/invalidation (X) des informations affichées à l'écran			
	Mode durée d'enregistrement	Affichage en système 24/12 heures	—	—
0	X	X	X	X
1	O	X	X	X
2	X	O	X	X
3	O	O	X	X
4	X	X	O	X
5	O	X	O	X
6	X	O	O	X
7	O	O	O	X
8	X	X	X	O
9	O	X	X	O
A	X	O	X	O
B	O	O	X	O
C	X	X	O	O
D	O	X	O	O
E	X	O	O	O
F	O	O	O	O

■ Commandes de contrôle d'interrogation

Données envoyées par le PC	Données envoyées en retour par l'appareil	Description de la commande
[STX] QRA [ETX]	[STX] RAM [ETX] m = N: Accusé de réception validé F: Accusé de réception invalidé	Interroge sur le réglage de réponse du code ACK (accusé de réception).
[STX] QRE [ETX]	[STX] LRBm [ETX] Paramètre m = F: Avertisseur sonore invalidé 0: 5 minutes 1: 10 minutes 2: 20 minutes 3: 30 minutes	Interroge sur le réglage de l'avertisseur sonore si l'appareil est maintenu en mode arrêt pendant une période prolongée.
[STX] QRF [ETX]	[STX] LNRf:p:t [ETX] Paramètre f = I: Enregistrement de trame R: Enregistrement d'image p = H: HIGH Enregistrement à finesse du trait élevée N: NORMAL Enregistrement à finesse du trait ordinaire t = 0—7: Type d'enregistrement (RT0—7)	Interroge sur les réglages de mode enregistrement, finesse du trait et type d'enregistrement.
[STX] QRR [ETX]	[STX] LRRm [ETX] Paramètre m = N: REC REVIEW effectué automatiquement F: REC REVIEW invalidé	Interroge sur le réglage REC REVIEW.
[STX] QRS [ETX]	[STX] RSEm [ETX] Paramètre m = 0: Normal 1: Pas de commande après achèvement 2: Pas de commande après achèvement/en cas d'erreur	Interroge sur le réglage du mode fin de repérage.
[STX] QRV:m [ETX] Paramètre m = D: Version ROM du micro-ordinateur vidéo numérique S: Version du micro-ordinateur servo syscon I: Version ROM de l'interface Pas de paramètre: Version ROM de l'interface	[STX] VERdonnées [ETX] Paramètre données = d1d2.d3d4-d5d6-d7.d8d9 d1—d9: Version du logiciel	Interroge sur les versions du logiciel utilisé pour chaque micro-ordinateur.

■ Commandes de contrôle d'interrogation

Données envoyées par le PC	Données envoyées en retour par l'appareil	Description de la commande
[STX] QSQ [ETX]	[STX] LSQm:t [ETX] Paramètre m = 0—F: Caméra n° 1—16 t = A: Mode séquence automatique M: Mode séquence manuelle	Interroge sur la sélection du nombre de caméras et le mode de séquence.
[STX] QST [ETX]	[STX] LSTdonnées1:données2 [ETX] Paramètre données1 = ndmmtt (date/heure de début) données2 = ndmmtt (date/heure de fin) n = 1: 1re semaine 2: 2de semaine 3: 3me semaine 4: 4me semaine L: Dernière semaine d = 0: Dimanche 1: Lundi 2: Mardi 3: Mercredi 4: Jeudi 5: Vendredi 6: Samedi mm = 01—12: Mois tt = 01—22: Heures	Interroge sur la date/l'heure de début et de fin de l'heure d'été.
[STX] QSU [ETX]	[STX] LSUM [ETX] Paramètre m = N: Réglage d'heure d'été validé F: Réglage d'heure d'été invalidé	Interroge sur l'activation/désactivation de l'heure d'été.
[STX] QTA [ETX]	[STX] TATmm:S [ETX] Paramètre données = mm:n mm = 00—23: Chiffres des heures à régler FF: Règle les chiffres des minutes n = S (fixe)	Interroge sur l'heure à régler quand des signaux ont été envoyés par l'appareil raccordé à TIME ADJ IN dans la section bornes du panneau arrière.
[STX] QTC [ETX]	[STX] TTSdonnées [ETX] Paramètre données = hhmmss hh = 00—23: Heures (système 24 heures) mm = 00—59: Minutes ss = 00—59: Secondes	Interroge sur le réglage de l'heure actuelle.
[STX] QTL [ETX]	[STX] TCSdonnées [ETX] Paramètre données = yyyyymmdd yyyy = 2000—2099: Calendrier grégorien mm = 01—12: Mois dd = 01—31: Jour	Interroge sur le réglage de la date actuelle.

■ Commandes de contrôle d'interrogation

Données envoyées par le PC	Données envoyées en retour par l'appareil	Description de la commande
[STX] QTR [ETX]	[STX] HTRm:b [ETX] Paramètre m = 0: 2% de ruban restant 1: 10% de ruban restant 2: 20% de ruban restant 3: 30% de ruban restant F: (OFF) pas de mise en garde b = N: Mise en garde émise par l'avertisseur sonore. F: (OFF) Mise en garde non émise par l'avertisseur sonore.	Interroge sur le réglage de la durée de ruban restant pour laquelle REMAIN clignote au registre en tant qu'affichage de mise en garde, et le réglage pour le retentissement de l'avertisseur sonore à proximité de la fin du ruban (quand une cassette de 120 minutes est utilisée).
[STX] QTY:n [ETX] Paramètre n = 1—6: Type d'enregistrement (RT1—6)	[STX] LTYn:t:abcdefg [ETX] Paramètre n = 1—6: Type d'enregistrement (RT1—6) t = 0: Enregistrement 3 heures 1: Enregistrement 9 heures 2: Enregistrement 12 heures 3: Enregistrement 18 heures 4: Enregistrement 24 heures 5: Enregistrement 48 heures 6: Enregistrement 72 heures 7: Enregistrement 96 heures 8: Enregistrement 120 heures 9: Enregistrement 180 heures A: Enregistrement 240 heures B: Enregistrement 360 heures C: Enregistrement 480 heures D: Enregistrement 960 heures F: OFF (conformité au réglage de la touche TIME MODE) a = Y ou N: réglage des caméras n°1 et 2 b = Y ou N: réglage des caméras n°3 et 4 c = Y ou N: réglage des caméras n°5 et 6 d = Y ou N: réglage des caméras n°7 et 8 e = Y ou N: réglage des caméras n°9 et 10 f = Y ou N: réglage des caméras n°11 et 12 a = Y ou N: réglage des caméras n°13 et 14 h = Y ou N: réglage des caméras n°15 et 16 Y: Utilisé N: Non utilisé	Interroge sur le réglage pour la combinaison du mode de durée d'enregistrement et du nombre de caméras.

■ Commandes de contrôle d'interrogation

Données envoyées par le PC	Données envoyées en retour par l'appareil	Description de la commande
[STX] QUI [ETX]	<p>[STX] LUISdonnées [ETX]</p> <p>Paramètre données = U7U6U5U4U7U3U2U1U0</p> <p>Règle le code d'identification utilisateur à inscrire en utilisant le code ASCII. 4BIT × 8 binaire ↓ Code ASCII: 0—9, A—F</p>	Interroge sur le réglage du code d'identification utilisateur à enregistrer.
[STX] QVC [ETX]	<p>[STX] VVCm:données [ETX]</p> <p>Paramètre m = A: Exécution de la détection par commande VCC en cours S: Détection par commande VCC achevée ou interrompue</p> <p>données = C13-16C9-12C5-8C1-4 C13-16 = 1—F: Information de raccordement pour les caméras n° 13—16 C9-12 = 1—F: Information de raccordement pour les caméras n° 9—12 C5-8 = 1—F: Information de raccordement pour les caméras n° 5—8 C1-4 = 1—F: Information de raccordement pour les caméras n° 1—4</p> <p><Remarque> Voir le tableau d'information sur le raccordement des caméras pour les détails sur C*.</p>	<p>Interroge sur les résultats de la détection de la présence ou non de signaux vidéo d'entrée.</p> <p><Remarque> Quand le contact est coupé, les signaux ne sont pas détectés, et une erreur en résulte. Activer la détection avec la commande VVC avant d'exécuter la commande QVC. Des résultats corrects ne peuvent être obtenus que si la procédure a été achevée avec la commande VVC.</p>
[STX] QVM [ETX]	<p>[STX] VMDm [ETX]</p> <p>Paramètre m = A: AUTO Couleur commutée automatiquement selon les signaux entrés. B: B/W Monochrome</p>	Interroge sur le réglage de couleur des signaux vidéo de sortie.
[STX] QWB [ETX]	<p>[STX] LWBm [ETX]</p> <p>Paramètre m = N: Avertisseur sonore validé F: Avertisseur sonore invalidé</p>	Interroge sur le réglage de retentissement ou non de l'avertisseur sonore en cas d'anomalie sur l'appareil et de coupure automatique du contact.
[STX] QXT [ETX]	<p>[STX] LXTm [ETX]</p> <p>Paramètre m = N: Signaux accusés de réception F: Signaux non accusés de réception</p>	Interroge sur le réglage d'accusé de réception ou non des signaux de la minuterie externe raccordée dans la section bornes du panneau arrière en mode enregistrement par minuterie externe.

■ Tableau de transition de mode

Commande retournée	ETAT DU MAGNETOSCOPE												
	ARRET	AVANCE ACCELE-REE	REBOBINAGE	LECTURE	LECTURE DE REVISION	ARRET SUR IMAGE/ PAUSE	REPERAGE	REVISION	PAUSE A L'ENREGIS-TREMENT	ENREGIS-TREMENT	CONTROLE DE L'ENREGIS-TREMENT	EJECTION	COUPURE DE CONTACT
OPR	○	○	○	○	○	○	○	○	×	×	×	×	×
OPL	○	○	○	—	○	○	○	○	×	×	×	×	×
OSP	—	○	○	○	○	○	○	○	○	○	○	×	×
OPA	○	○	○	○	○	LECTURE	○	○	ENREGIS-TREMENT	PAUSE A L'ENREGIS-TREMENT	×	×	×
ORW	○	○	○	○	○	○	○	○	×	×	×	×	×
OFF	○	○	○	○	○	○	○	○	×	×	×	×	×
OAF	×	×	×	×	×	○	×	×	×	×	×	×	×
OAR	×	×	×	×	×	○	×	×	×	×	×	×	×
OEJ	○	○	○	○	○	○	○	○	○	○	○	—	×
ORR	×	×	×	×	×	×	×	×	×	○	—	×	×
ORC	○	○	○	○	○	PAUSE A L'ENREGIS-TREMENT	○	○	○	—	○	×	×
PON	—	—	—	—	—	—	—	—	—	—	—	—	○
POF	○	○	○	○	○	○	○	○	○	○	○	○	—
Commande de repérage	○	○	○	○	○	○	○	○	×	×	×	×	×

<Remarque>

- : L'appareil passe au mode de la commande de retour.
- ×
- : L'état de fonctionnement est maintenu.

Commande OPA:



Cette commande peut causer le passage de l'appareil de son mode de fonctionnement actuel à un autre mode.

Commandes de repérage:

OPT, SCP, SCS, SMS, SPT, SRS, SUB

Messages d'erreur

Lorsqu'il se produit une anomalie dans l'appareil, l'un des messages suivants s'affiche au registre. Si les mesures suggérées ne permettent pas de corriger l'erreur, placer l'interrupteur POWER à la position OFF, débrancher le fil d'alimentation, et consulter son détaillant.

N° d'erreur	Description de l'anomalie	Correction
— d —	Il s'est formé de la condensation. Seule la touche EJECT peut fonctionner. L'opération de chargement ne s'effectue pas s'il y a une cassette dans l'appareil. Le cylindre des têtes tourne s'il n'y a pas de cassette dans l'appareil.	Le contact étant établi, attendre que le message d'erreur disparaisse.
E — 2	S'affiche lorsque la cassette n'est pas insérée correctement ou qu'elle ne s'est pas éjectée 2 à 5 secondes environ après pression de la touche EJECT. Le contact se coupe automatiquement.	Couper le contact puis le rétablir.
E — 3	S'affiche lorsque l'opération de chargement ou de déchargement n'est pas terminée quand 2 à 5 secondes environ se sont écoulées. Le contact se coupe automatiquement.	
E — 4	S'affiche lorsque la vitesse de rotation du moteur du cylindre des têtes est anormalement faible. Le contact se coupe automatiquement.	Le ruban de la cassette est peut-être détérioré. Couper le contact puis le rétablir, et remplacer la cassette.
E — 5	S'affiche lors de la détection d'un couple anormal appliqué au moteur de bobine, etc. Le contact se coupe automatiquement.	
E — 6	S'affiche lorsque le défilement du ruban est instable. Le contact se coupe automatiquement.	
E — 7	S'affiche lorsqu'il s'est produit une anomalie dans le solénoïde de commande du socle de bobine. Le contact se coupe automatiquement.	Couper le contact puis le rétablir.
 (clignote)	"  " clignote lorsque le niveau vidéo correct n'a pu être obtenu après une opération REC REVIEW.	Les têtes sont peut-être sales ou le ruban de la cassette détérioré. Nettoyer le cylindre des têtes ou remplacer la cassette.

Nettoyage du cylindre des têtes

L'appareil possède une fonction de nettoyage du cylindre des têtes qui réduit automatiquement l'accumulation de saleté sur les têtes. Toutefois, pour améliorer encore sa fiabilité, il est recommandé de nettoyer régulièrement le cylindre des têtes.

Pour les détails sur la façon de nettoyer le cylindre des têtes, consulter l'un de nos services après-vente ou son détaillant.

Condensation

De la condensation se produit en vertu du même principe que lorsque des gouttelettes d'eau se déposent sur les vitres d'une salle chauffée. Ce phénomène se produit si l'appareil ou le ruban sont transportés dans des lieux accusant une grande différence de température ou d'humidité, ou si par exemple :

- ils sont amenés dans un lieu très humide, empli de vapeur, ou dans une pièce tout de suite après que le chauffage a été allumé.
- ils sont brusquement transportés d'un lieu climatisé dans un lieu chaud ou très humide.

Si l'appareil est transporté dans des lieux semblables, attendre environ 10 minutes avant d'établir le contact.

Si de la condensation s'est formée sur l'appareil, le message d'erreur (- d -) s'éclaire au registre et le ruban est automatiquement éjecté.

Laisser l'appareil en contact et attendre que le message d'erreur disparaisse.

Entretien

Avant de procéder à l'entretien, mettre l'interrupteur POWER à la position OFF et débrancher le fil d'alimentation de la prise murale en tirant sur la partie moulée de la fiche d'alimentation.

Utiliser un linge doux pour nettoyer le coffret. Pour enlever la saleté rebelle, diluer un peu de détergent de cuisine, tremper un linge dans la solution, bien tordre le linge et essuyer le coffret. Enlever toute humidité restante avec un linge sec. Ne pas utiliser de diluants pour peinture ni de benzine.

Données techniques

[Données générales]

Tension d'alimentation: 120 V c.a., 50 Hz – 60 Hz
Consommation: 37 W

Température ambiante de fonctionnement :

5°C à 40°C (41°F à 104°F)

Humidité ambiante de fonctionnement :

35% à 85% (sans condensation)

Dimensions (L×H×P) :

380×110×340 mm (15"×4 3/8"×13 7/16")

Poids :

7,2 kg (15,84 lb)

Format d'enregistrement :

Format d'enregistrement DTL
(enregistrement multi-segments à compression DV)

Piste d'enregistrement :

Signal audio, linéaire : 1 piste

Vitesse de défilement :

20,84 mm/seconde (mode 3 heures)

Cassette utilisée :

Cassette S-VHS standard
(cassette de 120 minutes recommandée)

Modes de temps d'enregistrement :

3, 9, 12, 18, 24, 48, 72, 96, 120, 180, 240, 360, 480
et 960 heures

Temps d'avance accélérée/rebobinage :

Moins de 3 minutes (avec une cassette de 120
minutes)

[VIDEO]

Résolution horizontale :

HIGH : Plus de 520 lignes (monochrome/couleur)

NORMAL : Plus de 380 lignes (monochrome/couleur)

Rapport signal/bruit :

HIGH : Supérieur à 50 dB (monochrome/couleur)

NORMAL : Supérieur à 50 dB (monochrome/couleur)

Entrées de caméras (BNC) × 16 :

1,0 V c.-a-c., 75 Ω, asymétrique (raccordé en
dérivation, ON/OFF 75 Ω)

S-VIDEO OUT (4 contacts) :

Signal luminance :

1,0 V c.-a-c.

Signal couleur :

0,286 V c.-a-c. (niveau de salve)

75 Ω, asymétrique

Entrée de bloc de commutation externe/sortie vidéo (BNC) :

1,0 V c.-a-c., 75 Ω, asymétrique

VIDEO OUT (BNC) :

1,0 V c.-a-c., 75 Ω, asymétrique

[AUDIO]

Rapport signal/bruit

42 dB (mode 3 heures, pondéré "A")

Réponse en fréquence :

70 Hz à 7 kHz (mode 3 heures)

Modes de temps d'enregistrement/lecture :

3, 9, 12, 18 et 24 heures

Entrée audio (prise à contact) :

-10 dBV, 47 kΩ, asymétrique

Entrée Mic :

-60 dBV, 600 Ω à 4,7 kΩ, asymétrique

Sortie audio (prise à contact) :

-8 dBV, 600 Ω, asymétrique

[SECTION DES BORNES]

Entrées :

ALARM IN 1, ALARM IN 2, ALARM RESET IN,
REC IN, EXT TIMER IN, TIME ADJ IN

Sorties :

ALARM OUT, EXT TIMER OUT, TAPE END OUT,
WARNING/REC OUT

[DIVERS]

Connecteur REMOTE :

Conçu exclusivement pour la télécommande AG-
A11 (vendue séparément).

Connecteur RS-232C :

D-sub, 9 contacts, interface RS-232C

[ACCESSOIRES]

Fil d'alimentation :

× 1

Panasonic Canada Inc.

5770 Ambler Drive, Mississauga, Ontario L4W 2T3 (905) 624-5010

Free Manuals Download Website

<http://myh66.com>

<http://usermanuals.us>

<http://www.somanuals.com>

<http://www.4manuals.cc>

<http://www.manual-lib.com>

<http://www.404manual.com>

<http://www.luxmanual.com>

<http://aubethermostatmanual.com>

Golf course search by state

<http://golfingnear.com>

Email search by domain

<http://emailbydomain.com>

Auto manuals search

<http://auto.somanuals.com>

TV manuals search

<http://tv.somanuals.com>