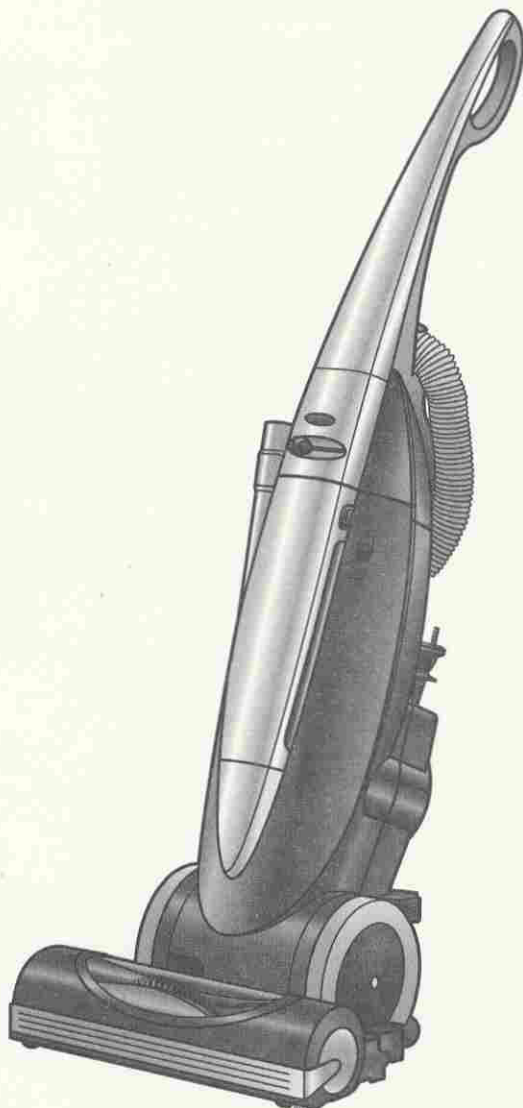


# Operating Instructions

---

Vacuum Cleaner  
MC-E583

---



## Panasonic®

Please carefully study these Operating Instructions before attempting to operate the unit and note the listed Important Safety Instructions.

Download from [Www.Somanuals.com](http://www.Somanuals.com). All Manuals Search And Download.

## TABLE OF CONTENTS

	Page		Page
• Important Safety Instructions	3	G) How to use the accessories	8
• Identification of main parts	4	H) Dust bag check indicator	8
<b>HOW TO ASSEMBLE / OPERATE YOUR CLEANER</b>		<b>MAINTENANCE AND SERVICING</b>	
A) Handle assembly	5	• How to change the dust bag	9
B) Power cord release / storage	5	• Filter care	9
C) ON/OFF Speed Control Switch	6	• Trouble shooting guide	10
D) Dirt sensor	6	• Protection features	10
E) Foot pedal body adjustment / Automatic Agitator ON/OFF	7	• Blockages	11
F) Floor scratch prevention	7	• Maintenance for the agitator	11
		• Storing the appliance	12

# IMPORTANT SAFETY INSTRUCTIONS



When using this vacuum cleaner, basic precautions should always be followed, including the following:

## READ ALL INSTRUCTIONS BEFORE USING THIS VACUUM CLEANER

### **WARNING** To reduce the risk of fire, electric shock, or injury:

- Do not leave the vacuum cleaner unattended when it is plugged in. Unplug from the outlet when not in use and before servicing
- Electric shocks can occur if used outdoors or on wet surfaces
- Do not allow to be used as a toy. Close attention is necessary when used by or near children
- Use only as described in this manual. Use only manufacturer's recommended attachments
- Do not use with damaged cord or plug. If vacuum cleaner is not working as it should, or has been dropped, damaged, left outdoors, or dropped into water, bring it to a service center
- Do not pull or carry by cord, use cord as a handle, close a door on cord, or pull cord around sharp edges or corners. Do not run vacuum cleaner over cord. Keep cord away from heated surfaces
- Do not unplug by pulling on cord. To unplug, grasp the plug not the cord
- Do not handle plug or vacuum cleaner with wet hands
- Do not put any object into openings. Do not use with any opening blocked, keep free of dust, lint, hair and anything that may block or reduce air flow
- Keep hair, loose clothing, fingers, and all parts of body away from openings and moving parts
- Do not pick up anything that is burning or smoking, such as cigarettes, matches or hot ashes
- Do not use without dust bag and/or filters in place
- Turn off all controls before unplugging
- Use extra care when cleaning on stairs
- Do not use to pick up flammable or combustible liquids such as gasoline or use in areas where they may be present
- Hold plug when rewinding onto the cord reel. Do not allow plug to whip when rewinding

## SAVE THESE INSTRUCTIONS

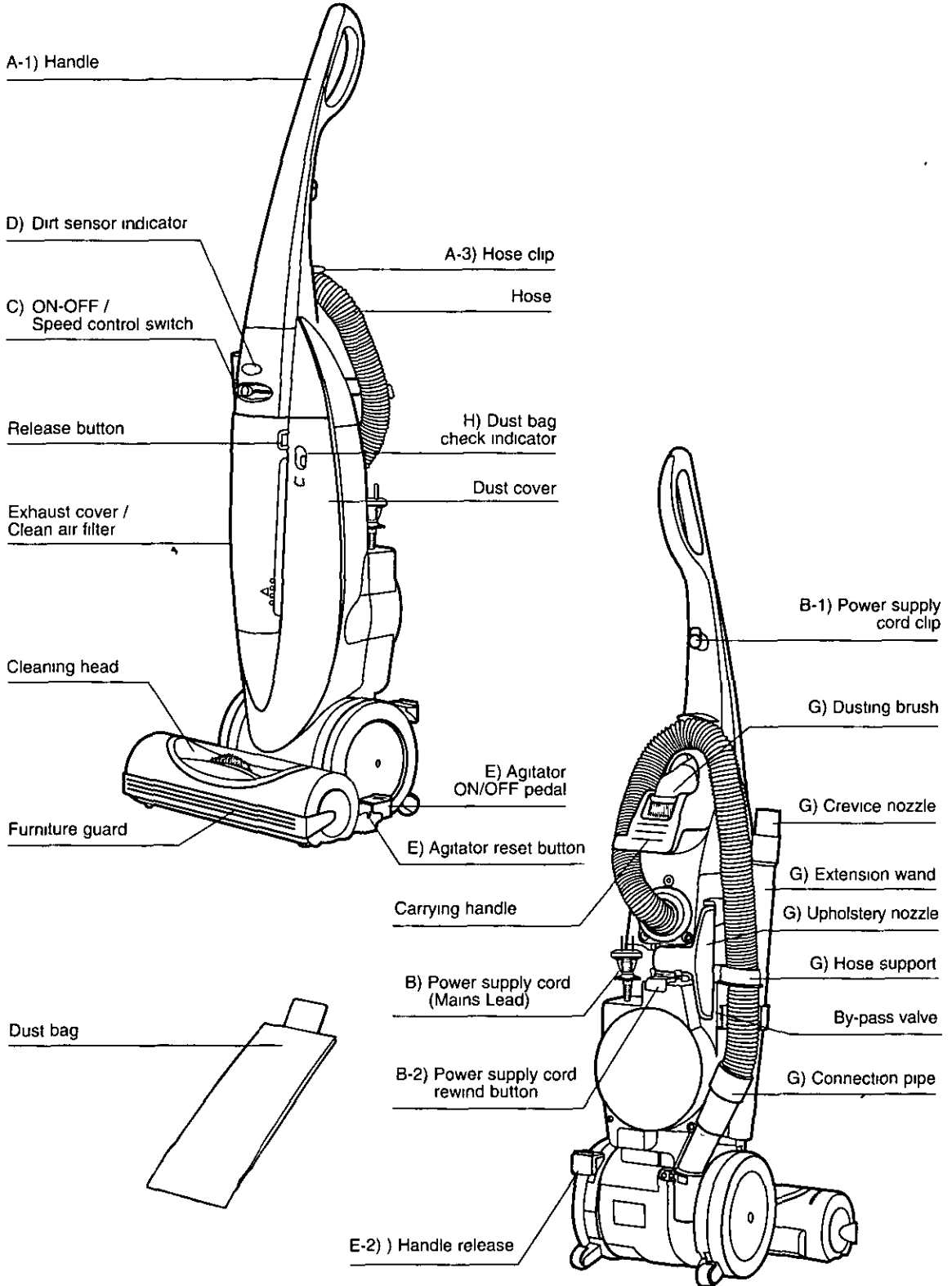
---

**THIS VACUUM CLEANER IS INTENDED FOR HOUSEHOLD USE ONLY**

---

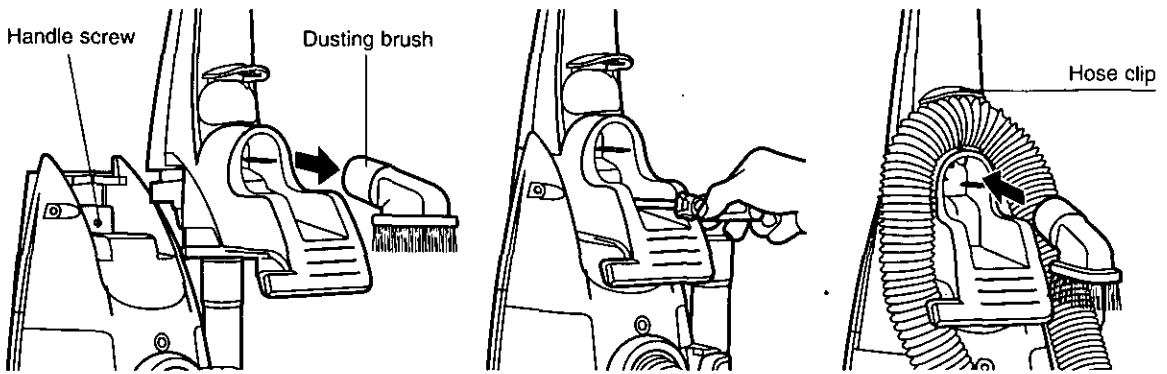
**Notice-** Before you plug in your Vacuum Cleaner, make sure that the voltage indicated on the rating plate located at the rear of the vacuum cleaner is the same as your local supply.

# IDENTIFICATION OF MAIN PARTS



# HOW TO ASSEMBLE / OPERATE YOUR CLEANER

## A) HANDLE ASSEMBLY



1) Remove the dusting brush from the handle and align it with the body of the cleaner in the proper position as shown in the illustration.

**NOTE:** Remove the handle screw from the body.

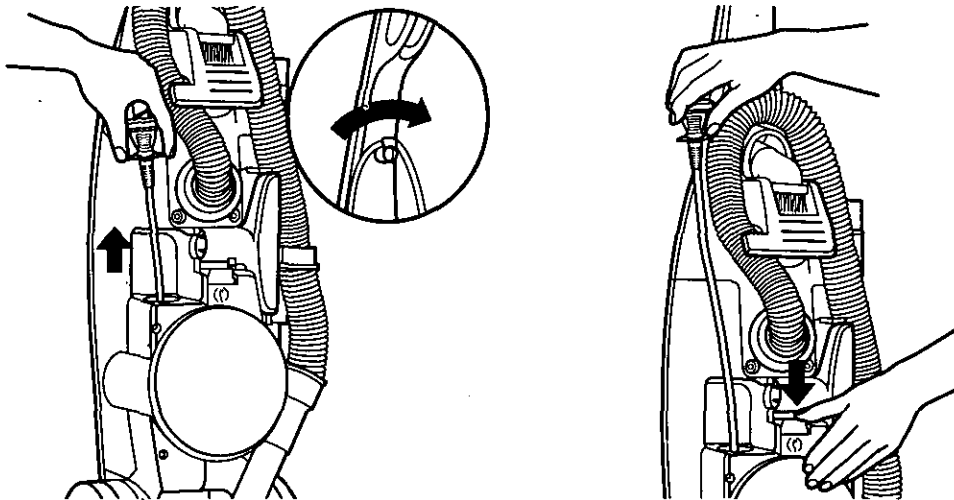
2) Insert the base of the handle into the top of the body of the cleaner as shown. Push in the handle and tighten the screw.

**IMPORTANT:** Do not over tighten the screw.

3) Re-install the dusting brush in its storage position. Place the hose around the hose clip and push inwards to secure.

**NOTE:** Always place the hose in the clockwise direction.

## B) POWER CORD RELEASE / STORAGE



1) To release the power supply cord pull it out by hand and fix it on the power supply cord clip in order to help secure the cord during use.

**NOTE:** When in use it is advisable to remove the full power supply cord length.

**NOTE:** To reduce the risk of electric shock, this appliance has a polarized plug (one blade is wider than the other). This plug will fit in a polarized outlet in only one way. If the plug does not fit in the outlet, reverse the plug. If it still does not fit, contact a qualified electrician to install the proper outlet. Do not change the plug in any way.

**NOTE:** To avoid any possible damage to the power supply cord, never run over the cord or allow it to become caught in the agitator.

2) To rewind the power supply cord, press and hold the rewind button, allowing the power supply cord to be automatically rewound into the cleaner.

**IMPORTANT:** When rewinding the power supply cord, hold the cord/plug in one hand to avoid injury or damage to the cleaner due to cord whiplash.

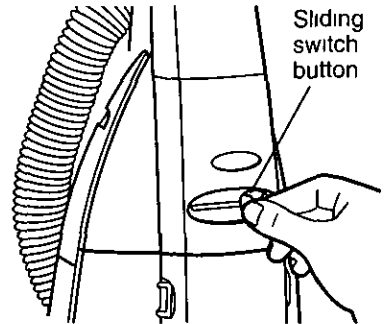
## C) ON / OFF SPEED CONTROL SWITCH

The sliding button - located on the control panel - is used to switch the vacuum cleaner ON/OFF and select the motor speed depending on the suction required

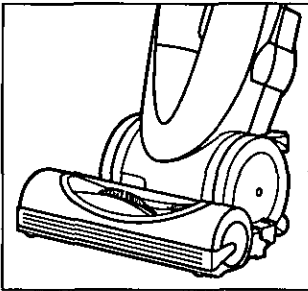
To switch ON, slide the button sideways to desired position. By sliding the button, the vacuum cleaner power will change in the following sequence **AUTO - MIN - MAX**.

To switch OFF, slide the button backward to "OFF" position

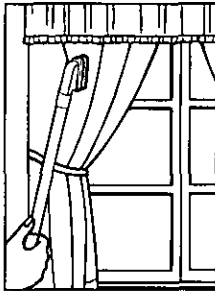
**NOTE:** OFF position is marked with "O"



**AUTO** ← → **MIN** ← → **MAX**

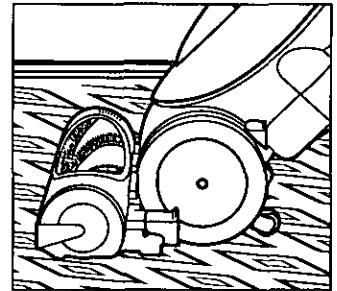
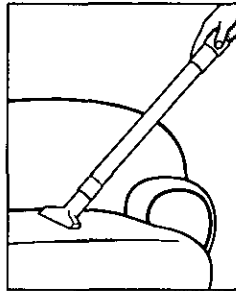


On the AUTO position, the motor power will vary automatically depending on the dirt detected by the dirt sensor



On the MIN position, the vacuum cleaner works at minimum power, to clean curtains and soft furnishings etc, with tool attached

**NOTE** When using tools, press the agitator ON/OFF pedal to the OFF position



On the MAX position, the vacuum cleaner works at maximum power continuously. This position is very convenient to clean very dirty surfaces

## D) DIRT SENSOR

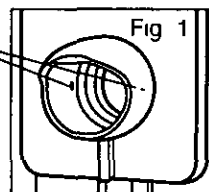
The dirt sensor indicator automatically informs you of the cleaning conditions. When dirt is present in the rug being vacuumed the Red indicator lights and remains lit until the rug is free of dust. The Red light then goes off indicating that the area is free of dirt.

The dirt sensor may not operate correctly if the airflow is restricted due to a blockage or dirt build-up on the sensors.

- Check the suction pipe inlet and hose for any blockage and remove the obstruction
- If the sensors are very dirty, clean them using a soft dry cloth (Fig 1)

**NOTE** Remove dust cover and dust bag to locate dirt sensors (Fig 1)

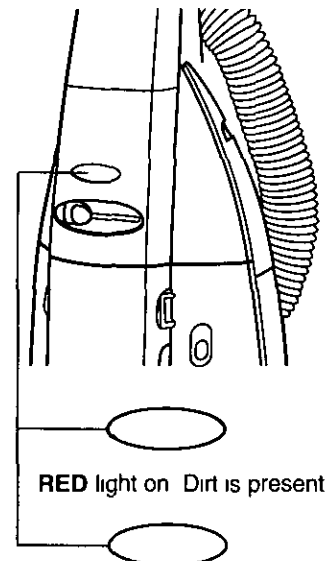
Dirt sensors



**NOTE** The dirt sensor indicator may light up when there is no dirt present

This can occur when the cleaner is used in areas where there is a strong electromagnetic field, for example if your house is situated near a TV transmitter or radio transmitter

This is not a malfunction of the vacuum cleaner



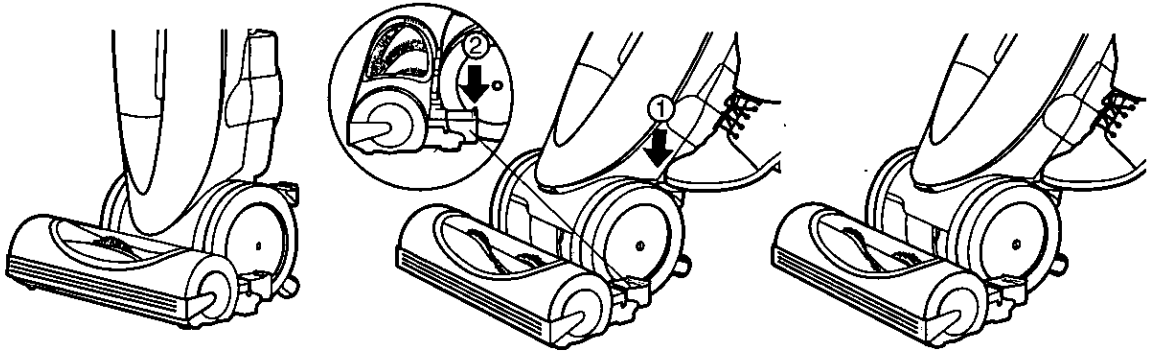
RED light on Dirt is present

RED light off Clean air

## E) FOOT PEDAL BODY ADJUSTMENT / AUTOMATIC BEATER BAR ON / OFF

To lower the body of the cleaner, press on the handle release pedal ① on the bottom left corner of the vacuum cleaner. Once the body is reclined, press the agitator switch pedal ② in the "ON" position and the agitator will start to rotate.

**NOTE:** Returning the vacuum cleaner to the upright position will automatically shut OFF the agitator even if the agitator switch is in the "ON" position.



### 1. Upright position / on board tools

The body should be in an upright position when cleaning tools are used.

**NOTE:** In this position the agitator does not rotate.

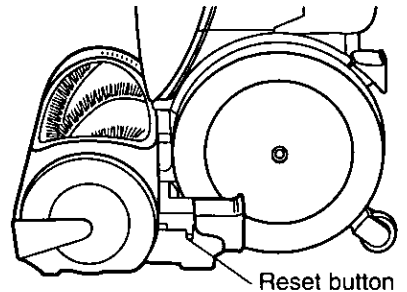
### 2. Middle position / normal use

For normal cleaning, depress the handle release pedal and pull back the handle to a comfortable angle.

### 3. Low position

For cleaning under furniture, depress the pedal a second time and lower the handle down to the floor as shown.

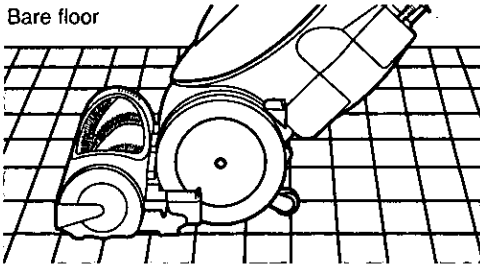
**IMPORTANT:** The agitator motor has a shut - off device that turns it off if it becomes clogged. If this occurs, **DISCONNECT** the cleaner from the electricity supply, remove any obstruction and press the reset button, located just below the agitator pedal, to restore its operation.



Reset button

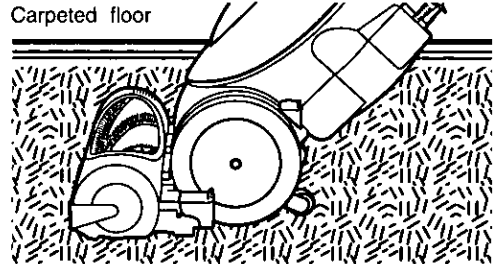
## F) FLOOR SCRATCH / CARPET DAMAGE PREVENTION

Bare floor



To prevent scratches or other damage to bare floors, Linoleum etc., press the agitator pedal to the "OFF" position.

Carpeted floor



To avoid damaging carpeted floors or rugs, do not leave the agitator rotating in the same place for too long.

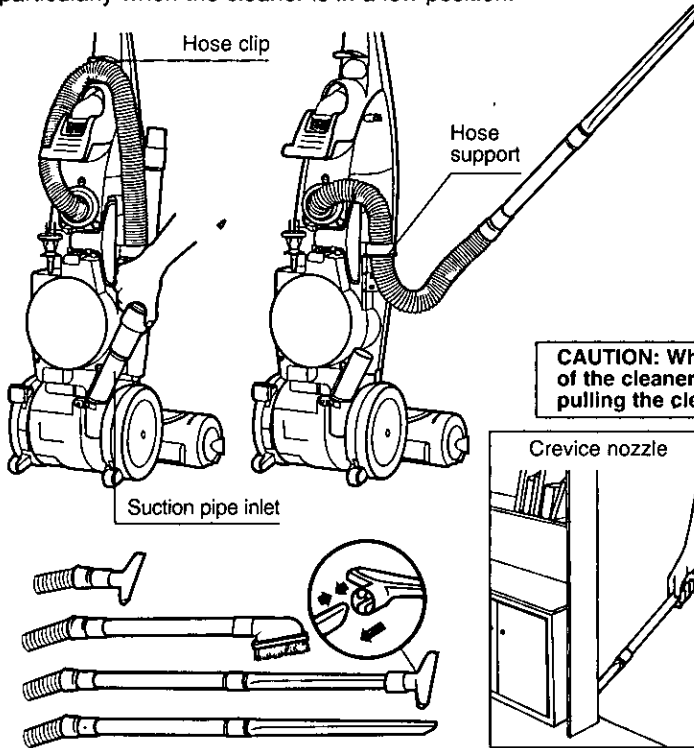
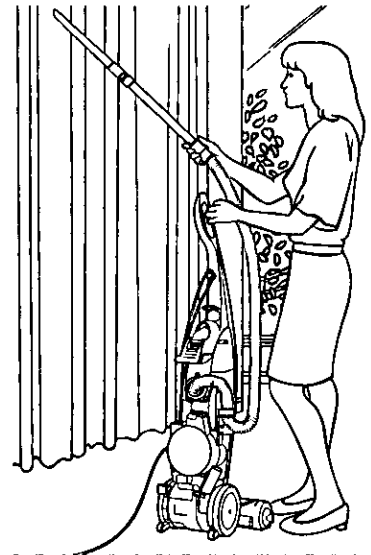
**ATTENTION:** Refer to your carpet manufacturers cleaning recommendations. Some more delicate carpets and long pile carpets may require that they be vacuumed with the agitator turned off, to prevent carpet damage.

## G) HOW TO USE THE ACCESSORIES

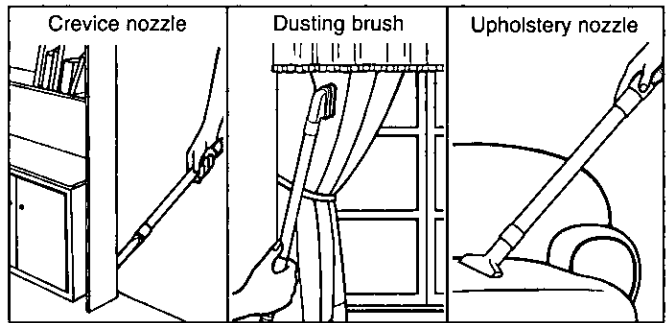
1. When using the accessories always keep the vacuum cleaner in the upright position, making sure the agitator is in the OFF position.

2. Pull out the hose from the suction pipe inlet and remove it from the hose clip. Then slide the hose through the hose support and connect any accessory as illustrated below.

**NOTE:** After using the accessories, re-insert the hose through the hose clip and connect back into the suction pipe inlet. Make sure to distribute the length of the hose evenly in its storage position so as to prevent any slack length of hose from touching the floor, particularly when the cleaner is in a low position.



**CAUTION:** While using the accessories, hold the handle of the cleaner with one hand, as shown above, to avoid pulling the cleaner over.



## H) DUST BAG CHECK INDICATOR

**IMPORTANT:** Check the dust bag condition when the vacuum cleaner is at MAX speed position.

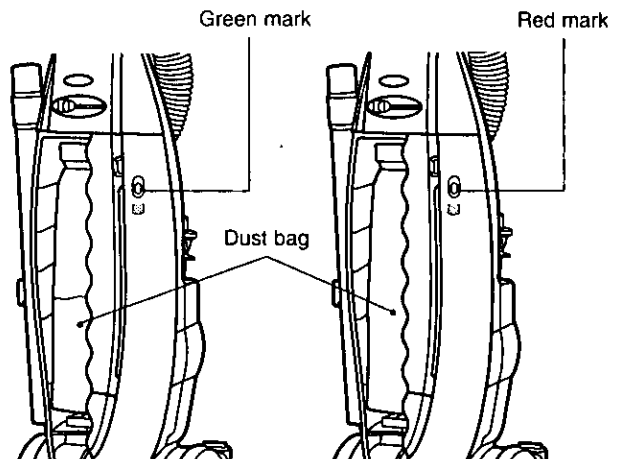
The dust bag check indicator is a visual aid to advise you of the condition of the dust bag.

The GREEN mark indicates that the dust bag is still empty.

The RED mark will appear when airflow through the dust bag is insufficient. When this happens, check the dust bag, it may be full or blocked with fine dust and needs to be replaced.

**NOTE:** If after having replaced the dust bag, the RED mark continues appearing in the window, check to see if the hose or suction inlet is clogged. (see BLOCKAGES).

When using the crevice nozzle the red mark may appear, this is due to air flow and not an indication the dust bag is full.



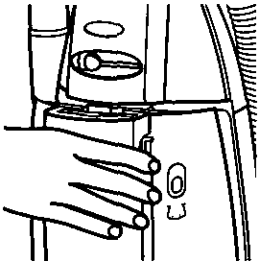


## MAINTENANCE AND SERVICING

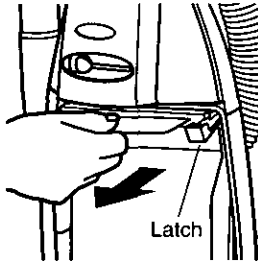


**IMPORTANT NOTE:** Before servicing any part, always **DISCONNECT THE CLEANER FROM THE POWER SUPPLY**

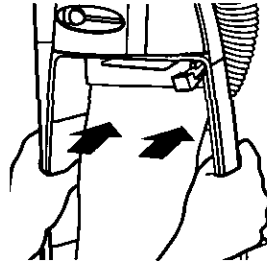
### HOW TO CHANGE THE DUST BAG



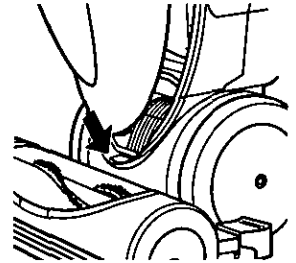
1) Push the release button on the dust cover as shown, and pull it forward



2) Grip the cardboard on the dust bag and pull out



3) Install the dust bag by pressing the cardboard underneath as shown. Before replacing the dust cover, make sure all edges of dust bag are completely inside the bag compartment



4) Replace the dust cover by inserting the protruding tab into the body slot then push the top of the cover into place

**NOTE** In order to prevent the cleaner from being used without a dust bag, the dust compartment is equipped with a latch system which will prevent the dust cover from closing unless a dust bag is properly installed

**IMPORTANT** Dust bags should be changed regularly for the maximum efficiency of the filters and prolonged motor efficiency

**We recommend the use of genuine Panasonic bags type U-20E only.**

### FILTER CARE

#### Central Filter (Fig. 1) Part no AMC8F03W1000

The central filter (foam filter), is installed in the dust bag compartment to protect the motor from dirt. Simply rinse it out in warm water and dry it thoroughly before replacing.

To remove the central filter, hold the filter (as illustrated) and pull it towards you.

**IMPORTANT** Ensure that the filter is completely dry before re-installing it into the cleaner.

#### Clean Air Filter - HEPA Type (Fig 2)

Part no AMC8S04W3000

The clean air filter, is installed in the dust cover.

This filter retains any small dust particles which may be present in the expelled air.

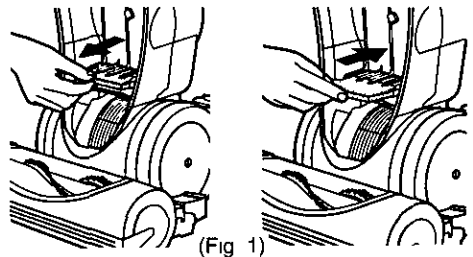
Under normal usage, the HEPA filter will not require replacement. It may become necessary to change the filter in case of vacuuming fine dust as powder or similar material over a period of time.

#### **CAUTION** Never attempt to wash the HEPA filter

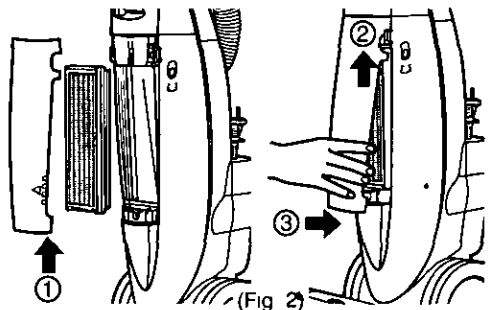
To change the filter, simply grasp from the engraving zone ① of the exhaust cover and pull it forward.

Remove the filter and replace with a new one.

Replace the exhaust cover by inserting the protruding tab ② into the dust cover slot, then push the bottom of the cover ③ into place.



(Fig 1)



(Fig 2)

**IMPORTANT.** Do not forget to re-install the filters before use

# TROUBLE SHOOTING GUIDE

**CAUTION** Disconnect from the AC socket before carrying out any kind of maintenance operation  
Before returning the vacuum cleaner to a Panasonic Service Center, check the following points

TROUBLE	CHECK POINT	POSSIBLE SOLUTION
Motor fails to rotate (no noise is heard at all)	<ul style="list-style-type: none"> <li>• AC plug connection</li> <li>• Thermal cut out device may have operated</li> </ul>	<ul style="list-style-type: none"> <li>• AC plug connected firmly and AC outlet is ON</li> <li>• (See protection features)</li> </ul>
Motor runs but there is no suction	<ul style="list-style-type: none"> <li>• Hose inlet is blocked</li> <li>• Check dust indicator</li> <li>• Dust bag broken</li> <li>• Central filter</li> <li>• Check hose is properly inserted to the suction pipe inlet</li> </ul>	<ul style="list-style-type: none"> <li>• If there is a blockage, remove it</li> <li>• If it shows full, replace the dust bag</li> <li>• If dust bag is broken, replace it</li> <li>• If the central filter is full of dust, clean or replace it</li> <li>• Re-insert the hose to suction pipe inlet correctly</li> </ul>
Agitator does not rotate	<ul style="list-style-type: none"> <li>• Clogged by a large object in the agitator housing</li> <li>• Over current cut-out may have operated</li> <li>• Check agitator switch is in "OFF" position</li> <li>• Thermal cut out device may have operated</li> </ul>	<ul style="list-style-type: none"> <li>• If there is any obstruction, remove it and press the reset button to reactivate the agitator motor</li> <li>• (See protection features)</li> <li>• Press the pedal to the "ON" position</li> <li>• (See protection features)</li> </ul>
Cord reel, does not rewind properly	<ul style="list-style-type: none"> <li>• Cord may be twisted</li> <li>• Cord may be dirty</li> </ul>	<ul style="list-style-type: none"> <li>• Pull out the power supply cord fully and rewind it again</li> <li>• Wipe the cord clean with duster</li> </ul>
Dirt sensor (RED light does not light even the carpet is dirty)	<ul style="list-style-type: none"> <li>• Hose inlet is clogged</li> <li>• Dirt sticking on the dust sensor</li> </ul>	<ul style="list-style-type: none"> <li>• Find the blockage and remove it</li> <li>• Clean stuck dirt from the dirt sensors</li> </ul>

## PROTECTION FEATURES

### Thermal Cut-out of the cleaner

This vacuum cleaner is fitted with a thermal cut-out device which automatically turns off the cleaner to prevent overheating of the motor. When this happens, **disconnect the cleaner from the AC outlet** and check the dust bag as it may be full or clogged with fine dust. Check for any other obstructions.

After replacing the dust bag or removing the obstruction, **allow the cleaner to cool down** until the thermal cut-out resets after approximately 40 minutes.

**Important:** The thermal cut-out will not reset if the unit is not disconnected from the AC outlet.

### Over-current shut off of the agitator

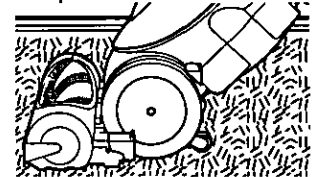
When an obstruction jams the agitator and stops it from rotating, the overcurrent shut off device is activated. When this happens, **disconnect the cleaner from the AC outlet** and remove the obstruction. Press the reset button to re-activate the agitator.

### Thermal Cut-out of the agitator motor

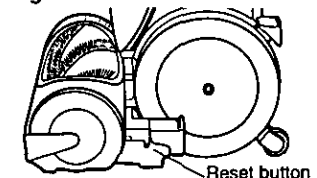
The agitator motor is fitted with a thermal cut-out device which automatically turns off the agitator power when there is not enough air flow through the motor. When this occurs, **disconnect the cleaner from the AC outlet** and **leave the cleaner to cool down** until the thermal cut-out resets after approximately 30 minutes. This could happen if (by mistake) while using the accessories the cleaner is in the reclined position and the agitator is ON.

**Important:** The thermal cut-out will not reset if the unit is not disconnected from the AC outlet.

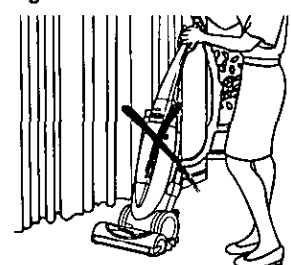
No operation



Agitator STOPS

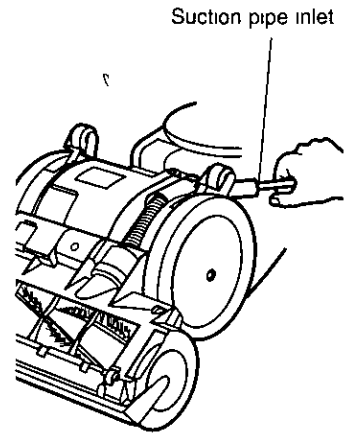
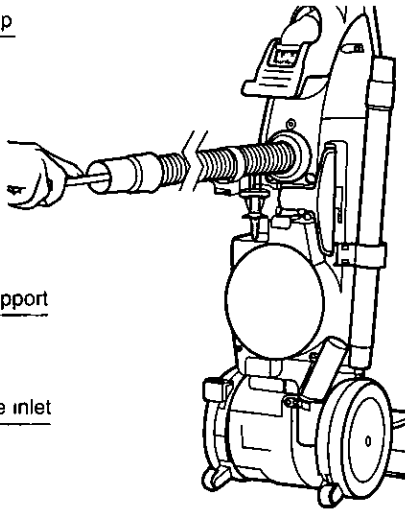
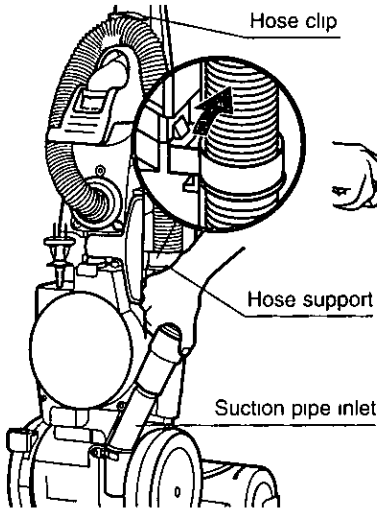


Agitator STOPS



## BLOCKAGES

If your cleaner stops picking up dust, or the dust bag check indicator shows "Full" while the dust bag is still empty, a blockage may have occurred. To remove the obstruction, proceed as follows:



1) Remove the hose from the suction pipe inlet, hose clip and the hose support

2) First remove the dust cover and paper bag. Then stretch the hose and pass through a blunt rod, for example a wooden cane stick as shown in the illustration to clear the obstruction.  
**NOTE** Take care not to damage the hose

3) If the obstruction occurs in the suction pipe inlet, it can be removed with care as shown

### Motor protector

The motor protector by-pass valve is placed under upholstery nozzle storage. It will open automatically to provide cooling air when a clog occurs or when bag needs changing. When the by-pass valve opens, a change of sound will be noticed as air rushes through the valve opening.

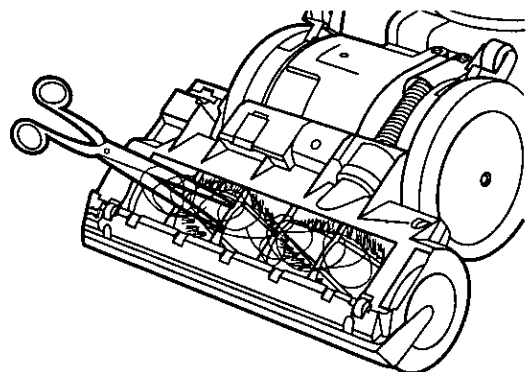
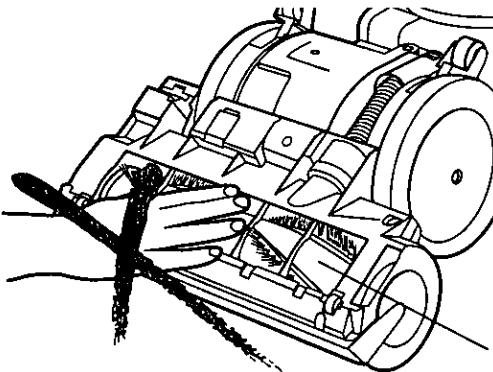
## MAINTENANCE FOR THE AGITATOR

**CAUTION** Ensure the cleaner is **DISCONNECTED** from the power supply before any agitator maintenance

### TO AVOID ANY PERSONAL INJURY

- Do not use your fingers or hands to remove or clean the agitator

If it is necessary to remove threads, strings, hairs, etc., which have wound around the agitator, cut across them with a pair of scissors making sure not to cut the bristles.

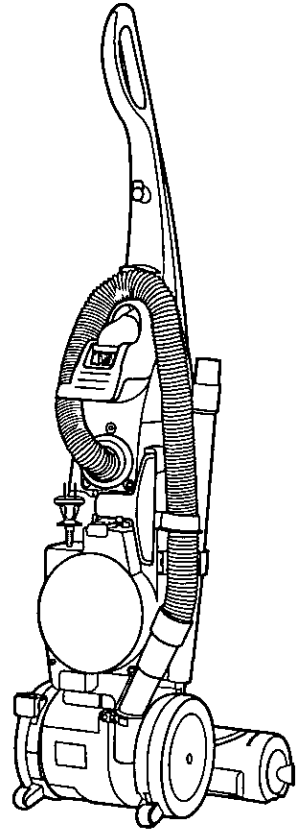


## STORING THE APPLIANCE

To store the vacuum

- 1) Return the vacuum cleaner to the upright position
- 2) Turn off the vacuum cleaner
- 3) Unplug it from the electrical supply
- 4) Replace the hose and accessories
- 5) Store the power supply cord as outlined in "POWER CORD STORAGE"

Store the cleaner away from heat sources, such as radiators, fires or direct sunlight



## REMINDER FOR CUSTOMER

The model and serial number of this product may be found on the name plate located at the back of your cleaner. You should note the model and serial number in the spaces provided and retain this book as a permanent record of your purchase.

Model Number  
Serial Number  
Date Purchased  
Where Purchased

**For assistance please call: 1-800-211-PANA (7262)  
or send e-mail to: [consumerproducts@panasonic.com](mailto:consumerproducts@panasonic.com)  
or visit us at [www.panasonic.com](http://www.panasonic.com)**

**(U.S.A.)**

PANASONIC HOME AND COMMERCIAL PRODUCTS COMPANY,  
DIVISION OF MATSUSHITA ELECTRIC CORPORATION OF AMERICA  
One Panasonic Way, Secaucus  
New Jersey 07094

PANASONIC SALES COMPANY  
MATSUSHITA ELECTRIC OF PUERTO RICO INC  
Ave 65 de infanteria, Km 9.5  
San Gabriel Industrial Park  
Carolina, Puerto Rico 00985

Z07W80900

100% recycled paper  
Printed in Spain



## Free Manuals Download Website

<http://myh66.com>

<http://usermanuals.us>

<http://www.somanuals.com>

<http://www.4manuals.cc>

<http://www.manual-lib.com>

<http://www.404manual.com>

<http://www.luxmanual.com>

<http://aubethermostatmanual.com>

Golf course search by state

<http://golfingnear.com>

Email search by domain

<http://emailbydomain.com>

Auto manuals search

<http://auto.somanuals.com>

TV manuals search

<http://tv.somanuals.com>