



### General Specifications

**Motor Protection:**  
Auto Restart/Polarity Protection

**Insulation Resistance:** 10M Ω or over with a DC500V Megger

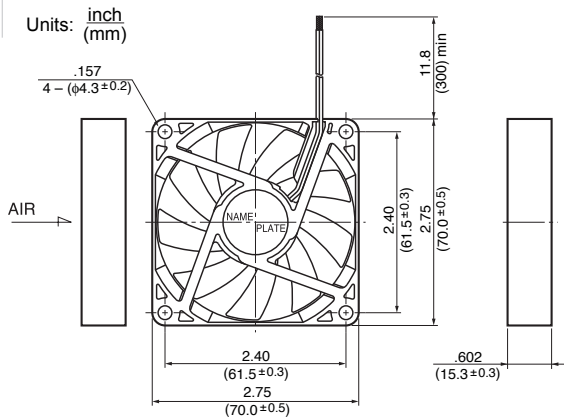
**Dielectric Withstand Voltage:** AC 700V 1s

**Allowable Ambient Temperature Range:**  
-10°C ~ +70°C (Operating)  
-40°C ~ +70°C (Storage)  
(non-condensing environment)

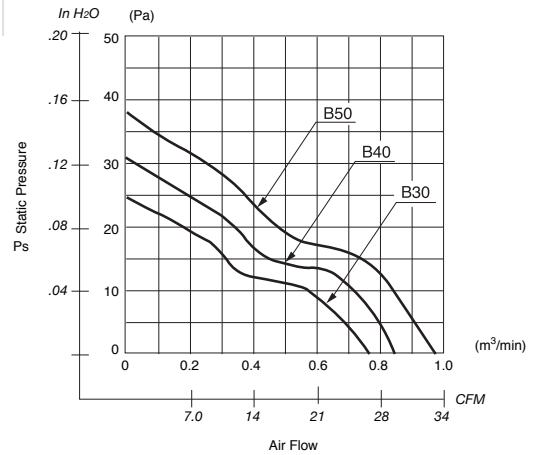
### Expected Life

**Failure Rate: 10%**  
25°C 60,000 Hours (CXX)

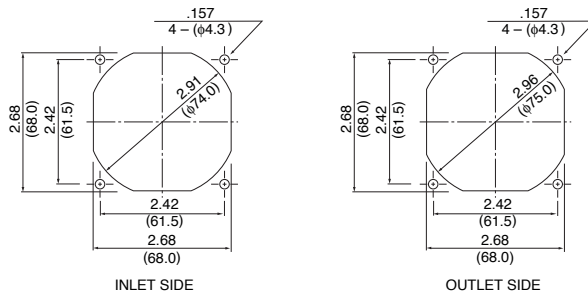
### Outline



### Characteristic Curves



### Panel Cut-outs



### Material

**Casing :** Plastic (Black) 94V-0  
**Impeller :** Plastic (Black) 94V-0  
**Bearing :** Ball Bearing  
**Lead Wire :** UL1007, AWG24, +Red, -Black

### Specifications

MODEL	Product No.	Rated Voltage	Operating Voltage	Current	Input Power	Speed	Max. Air Flow		Max. Static Pressure		Noise	Mass
		(V)	(V)	(A) <sup>*1</sup>	(W) <sup>*1</sup>	(min <sup>-1</sup> ) <sup>*1</sup>	CFM <sup>*1</sup>	(m <sup>3</sup> /min) <sup>*1</sup>	in H <sub>2</sub> O	(Pa) <sup>*1</sup>	(dB) <sup>*1</sup>	(g)
2806RL-04W-B30-	C00	12	6.5 ~ 13.8	0.13	1.56	3400	27.1	0.77	.09	24.5	31.5	50
2806RL-04W-B40-	C00	12	6.5 ~ 13.8	0.16	1.92	3800	30.0	0.85	.12	31.0	34.5	50
2806RL-04W-B50-	C00	12	6.5 ~ 12.2	0.25	2.88	4300	34.6	0.98	.15	38.0	37.5	50

Rotation: Clockwise

Airflow Outlet: Air Out Over Struts

\*1: Average Values in Free Air

## Free Manuals Download Website

<http://myh66.com>

<http://usermanuals.us>

<http://www.somanuals.com>

<http://www.4manuals.cc>

<http://www.manual-lib.com>

<http://www.404manual.com>

<http://www.luxmanual.com>

<http://aubethermostatmanual.com>

Golf course search by state

<http://golfingnear.com>

Email search by domain

<http://emailbydomain.com>

Auto manuals search

<http://auto.somanuals.com>

TV manuals search

<http://tv.somanuals.com>