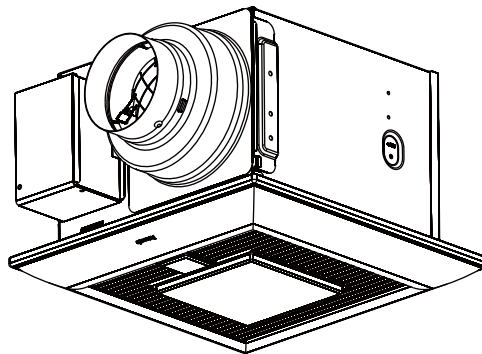


Service Manual

Super Quiet Ventilating Fan/Light Combination

WhisperSense™
(North America Market)

FV-08VQCL6
FV-11VQCL6



SPECIFICATIONS

Model No.	Air direction	Voltage (V)	Frequency (Hz)	Duct diameter (inches)	Noise (sones)	Power consumption (W)			Speed (rpm)	Air volume at 0.1"WG (CFM)	Weight lb.(kg)
						Fan	Lighting unit				
							Fluorescent lamp	Night lamp			
FV-08VQCL6	Exhaust	120	60	4 or 6	<0.3	15.5	26	4	890	80	11.2 (5.1)
FV-11VQCL6	Exhaust	120	60	4 or 6	0.7	24.5	26	4	1065	110	11.2 (5.1)


HVI Certified performance based on HVI Procedures 915,916,and 920.



WARNING

This service information is designed for experienced repair technicians only and is not designed for use by the general public. It does not contain warnings or cautions to advise non-technical individuals of potential dangers in attempting to service a product. Products powered by electricity should be serviced or repaired only by experienced professional technicians. Any attempt to service or repair the product or products dealt with in this service information by anyone else could result in serious injury or death.

IMPORTANT SAFETY NOTICE

There are special components used in this equipment which are important for safety. These parts are marked by  in the Schematic Diagrams, Exploded Views and Replacement Parts List. It is essential that these critical parts should be replaced with manufacturer's specified parts to prevent shock, fire or other hazards. Do not modify the original design without permission of manufacture. We suggest to handle such parts after the static electricity prevention. It is forbidden to touch the PCB parts by bare hands during the repairing process.

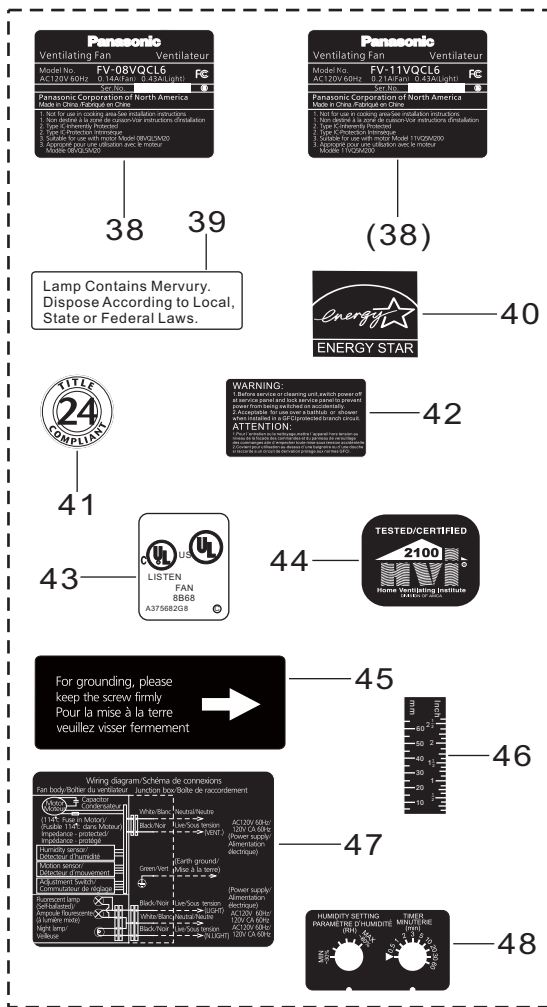
CONTENTS

	PAGE
1. Parts Identification	1~2
2. Wiring Diagram	3
3. Parts List	4~5

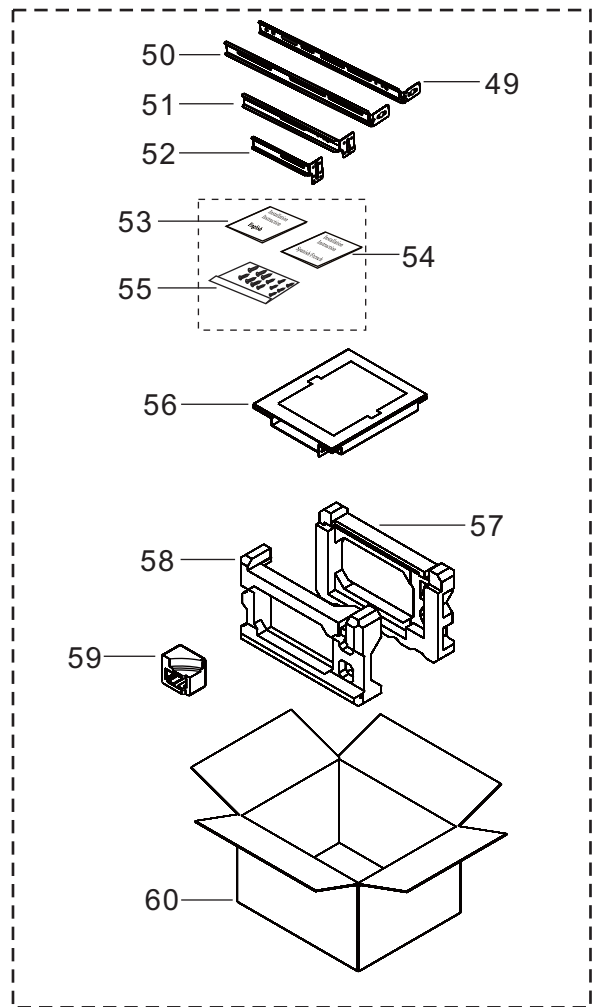
Panasonic®

1. Parts Identification

FV-08VQCL6
FV-11VQCL6



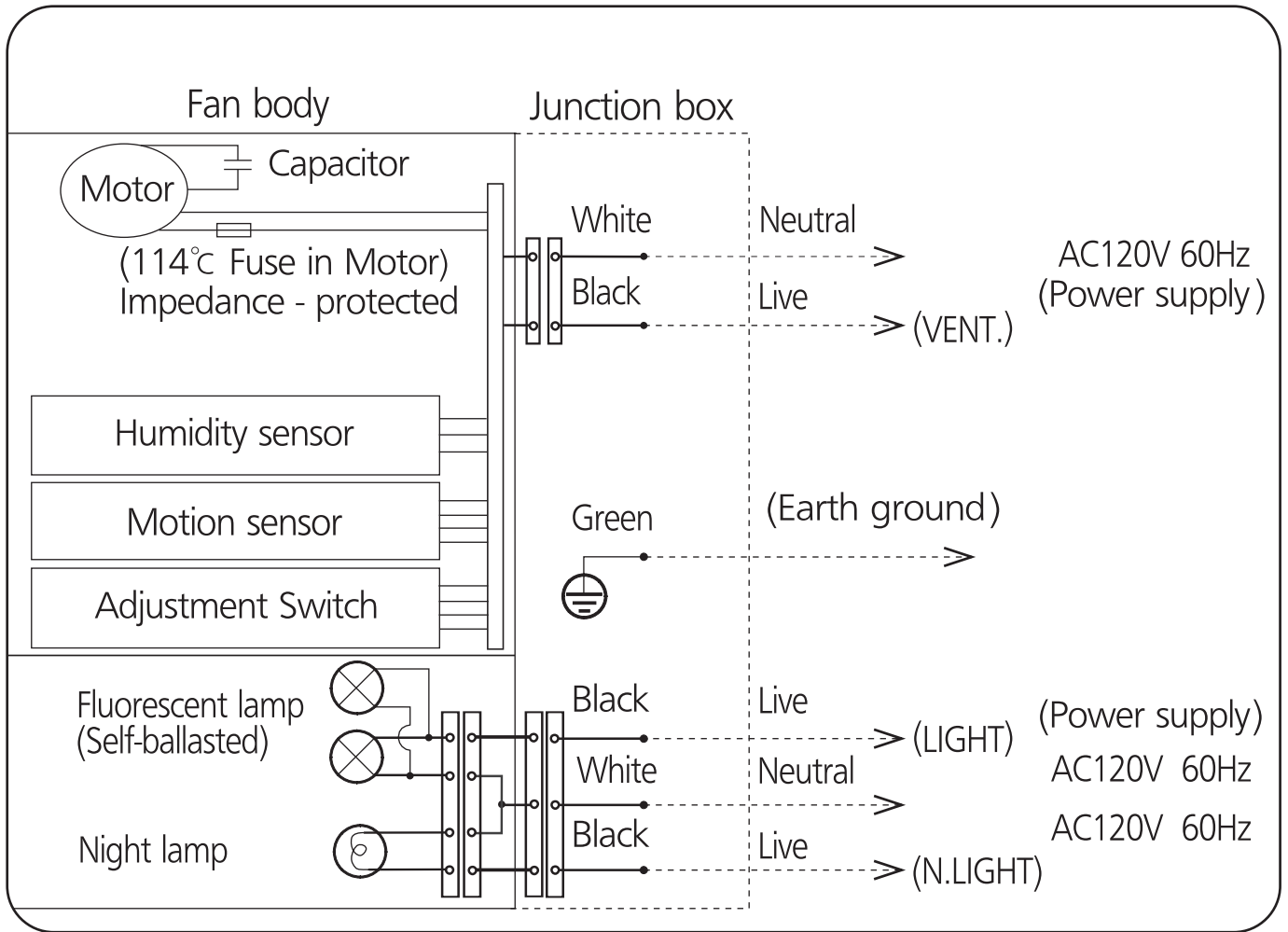
Main Labels



Main Packing Materials

2. Wiring Diagram

FV-08VQCL6
FV-11VQCL6



3. Parts List

FV-08VQCL6

FV-11VQCL6

No.	Part No.	Part Name	Q'ty	Remark
1	FFV1600111S	Frame Assembly	1	
2	FFV0420027S	Bracket Cover	1	
3	FFV0800001S	Casing Support	3	
4	FFV0000121S	Adapter Assembly	1	⚠
5	FFV0900048S	Connector Plate	1	
6	FFV0900049S	Connector Assembly V	1	⚠
7	FFV0900039S	Connector Assembly L	1	⚠
8	FFV2800012S	Junction Cover	1	
9	FFV3402103S	Earth Lead Wire Assembly	1	⚠
10	FFV0760028S	Capacitor Box	1	⚠
11	FFV3702217S	Motor Assembly	1	For FV-08VQCL6 ⚠
(11)	FFV3702215S	Motor Assembly	1	For FV-11VQCL6 ⚠
12	FFV0740027S	Nylon Clamp	1	
13	FFV3730086S	Motor Support	1	
14	FFV0400103S	Blade	1	⚠
15	FFV7020021S	Nut	1	
16	FFV0790077S	Casing	1	⚠
17	FFV0960001S	Cord Clip	3	
18	FFV0730032S	Cord Assembly B	1	⚠
19	FFV5530065S	Switch Assembly	1	⚠
20	FFV2220053S	Humid Sensor Assembly	1	⚠
21	FFV3420068S	Grille Unit	1	Not Include Sensor Box Assembly ⚠
22	FFV3420066S	Light Kit Cover Assembly	1	⚠
23	FFV3420071S	Lamp Holder Section	1	⚠
24	FFV3420067S	Fluorescent Lamp	2	⚠
25	FFV3420005S	Night Lamp	1	⚠
26	FFV5500028S	Sensor Box Assembly	1	⚠
27	FFV3420030S	Grille Section	1	Include Sensor Cover&Lamp Cover ⚠
28	FFV2220051S	Sensor Cover	1	⚠
29	FFV3420029S	Lamp Cover	1	⚠
30	FFV3702243S	Motor Unit	1	For FV-08VQCL6 ⚠
(30)	FFV3702244S	Motor Unit	1	For FV-11VQCL6 ⚠
31	FFV0750203S	Capacitor	1	For FV-08VQCL6 ⚠
(31)	FFV0750204S	Capacitor	1	For FV-11VQCL6 ⚠
32	FFV0900024S	Connector	4	⚠
33	FFV3700330S	Motor Lead Wire	1	⚠
34	FFV3740021S	Main PCB Box	1	⚠
35	FFV3740022S	Main PCB Assembly	1	⚠
36	FFV4620077S	Power Lead Wire	1	⚠
37	FFV3740023S	Main PCB Cover	1	⚠
38	FFV4020779S	Name Plate	1	For FV-08VQCL6
(38)	FFV4020780S	Name Plate	1	For FV-11VQCL6

3. Parts List

FV-08VQCL6

FV-11VQCL6

No.	Part No.	Part Name	Q'ty	Remark
39	FFV6730056S	Warning Label	1	
40	FFV1320001S	ESP Mark	1	
41	FFV4730001S	T24 Mark Label	1	
42	FFV0810010S	Warning Label	1	
43	FFV2260003S	UL Mark	1	
44	FFV2260002S	HVI Mark	1	
45	FFV6730045S	Warning Label	1	
46	FFV5720015S	Scale Tape	1	
47	FFV6730066S	Wiring Label	1	
48	FFV5530067S	Switch Indication	1	
49	FFV5710023S	Suspension Bracket I	1	
50	FFV5710024S	Suspension Bracket II	1	
51	FFV5710018S	Suspension Bracket IV	1	
52	FFV5710019S	Suspension Bracket III	1	
53	FFV2540155S	Installation Instruction	1	English,For CA Market/USA Market
54	FFV2540156S	Installation Instruction	1	French,For USA Market
(54)	FFV2540157S	Installation Instruction	1	Spanish,For CA Market
55	FFV0010200S	Accessory A	1	
56	FFV4710359S	Grille Case Assembly	1	
57	FFV4710344S	Right Pad	1	
58	FFV4710345S	Left Pad	1	
59	FFV4710330S	Sensor Pad	1	
60	FFV9001054S	Packing Case Assembly	1	For FV-08VQCL6
(60)	FFV9001055S	Packing Case Assembly	1	For FV-11VQCL6
A	FFV7000065S	Bind Screw	6	
B	FFV7000108S	Truss Tap Screw	5	
C	FFV7000089S	Truss Tap Screw	20	
D	FFV7000168S	Screw Assembly	1	Include Spring Washer&P.R Washer▲
E	FFV7000195S	Pan Tap Screw	2	
F	FFV7000074S	Truss Tap Screw	1	
G	FFV7000191S	Bind Screw	1	For Fixing Light Kit Cover Assembly
H	FFV7000145S	Truss Tap Screw	4	For Fixing Main PCB

Free Manuals Download Website

<http://myh66.com>

<http://usermanuals.us>

<http://www.somanuals.com>

<http://www.4manuals.cc>

<http://www.manual-lib.com>

<http://www.404manual.com>

<http://www.luxmanual.com>

<http://aubethermostatmanual.com>

Golf course search by state

<http://golfingnear.com>

Email search by domain

<http://emailbydomain.com>

Auto manuals search

<http://auto.somanuals.com>

TV manuals search

<http://tv.somanuals.com>