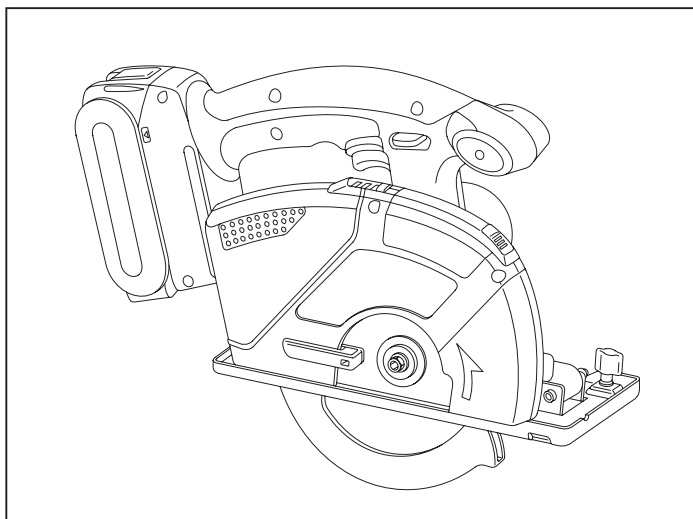


Panasonic

Cordless Multi Purpose Metal Cutter
Scie à métaux polyvalente sans fil
Sierra de metal de propósitos múltiples inalámbrica

Operating Instructions
Instructions d'utilisation
Manual de instrucciones

Model No: EY4542



IMPORTANT

This manual contains safety information. Read manual completely before first using this product and save this manual for future use.

IMPORTANT

Ce mode d'emploi contient des informations sur la sécurité. Lisez-le en entier avant d'utiliser le produit et conservez-le pour référence.

IMPORTANTE

Este manual contiene información de seguridad. Lea completamente este manual antes de utilizar por primera vez este producto, y guárdelo para poder consultarlo en el futuro.

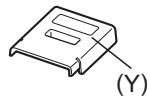
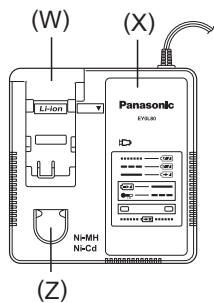
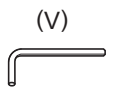
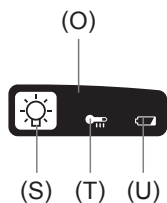
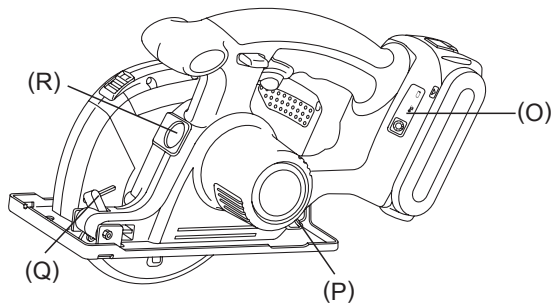
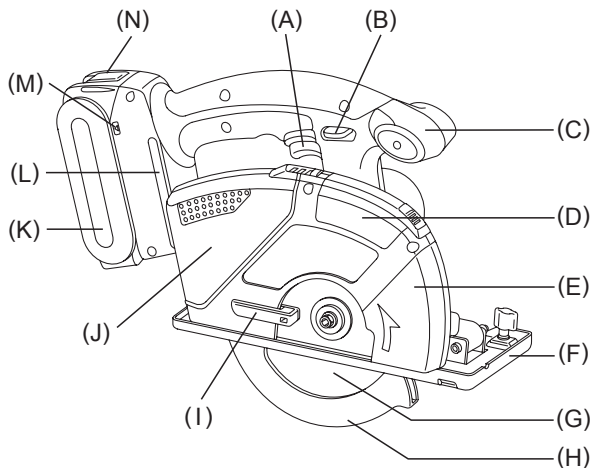
Index/Index/Indice

English: Page 3

Français: Page 22

Español: Página 43

FUNCTIONAL DESCRIPTION DESCRIPTION DES FONCTIONS DESCRIPCIÓN FUNCIONAL



| | | | |
|-----|---|-----|--|
| (A) | Power switch Interrupteur d'alimentation Interruptor de alimentación | (B) | Switch lock lever Levier de verrouillage d'interrupteur Palanca de bloqueo del interruptor |
| (C) | Front grip Poignée avant Empuñadura frontal | (D) | Front cover Couvercle avant Cubierta frontal |
| (E) | Transparent guard Protège-lame transparent Protector transparente | (F) | Shoe Sabot Zapata |
| (G) | Blade (EY9PM13C) Lame de scie (EY9PM13C) Cuchilla (EY9PM13C) | (H) | Lower guard Protecteur mobile inférieur de lame Protector inferior de la cuchilla |
| (I) | Retracting handle Poignée rétractable Mango retractable | (J) | Dust case Boîte à poussière Caja de polvo |
| (K) | Battery pack (EY9L40) Batterie autonome (EY9L40) Batería (EY9L40) | (L) | Storage slot for hex wrench Fente de rangement de clé hexagonale Ranura para guardar la llave hexagonal |
| (M) | Battery pack alignment mark Marque d'alignement de la batterie autonome Marca de alineamiento del paquete de las baterías | (N) | Battery pack release button Bouton de libération de batterie autonome Botón de liberación de la batería |
| (O) | Control panel Panneau de commande Panel de control | (P) | Depth adjustment nut Ecrou d'ajustement de la profondeur Tuerca de ajuste de profundidad |
| (Q) | LED light Lumière DEL Luz indicadora | (R) | Spindle lock button Bouton de verrouillage de broche Botón de bloqueo del husillo |
| (S) | LED light on/off button Bouton Marche/Arrêt de la lumière DEL Botón ON/OFF de luz LED | (T) | Overheat warning lamp (battery) Témoin d'avertissement de surchauffe (batterie) Luz de advertencia de sobrecalentamiento (batería) |
| (U) | Battery low warning lamp Témoin d'avertissement de batterie basse Luz de aviso de baja carga de batería | (V) | Hex wrench Clé hexagonale Llave hexagonal |
| (W) | Li-ion battery pack dock Poste d'accueil de la batterie autonome Li-ion Enchufe de carga de batería Li-ión | (X) | Battery charger (EY0L80) Chargeur de batterie (EY0L80) Cargador de la batería (EY0L80) |
| (Y) | Battery pack cover Couvercle de la batterie autonome Cubierta de batería | (Z) | Ni-MH/Ni-Cd battery pack dock Poste d'accueil de la batterie autonome Ni-MH/Ni-Cd Enchufe de carga de batería Ni-MH/Ni-Cd |

I. INTRODUCTION

This tool is a Multi Purpose Metal Cutter. By changing the blade, it can be used to cut wood, metal, and plastic. Dust can be collected by an integrated dust case or via a connected vacuum (by attaching the hose to the tool).

⚠ DANGER

This product is a cutting tool, designed to cut through metal and wood. It has a rotating blade which is capable of cutting you deeply, causing serious injury or death. As a result, please read this manual and the cautionary markings on the tool carefully, and obey all of the Safety Instructions to avoid such injury.

⚠ WARNING

To avoid injury, never insert your finger or any other object into any opening of the tool.

⚠ WARNING

Read all safety warnings and all instructions.

Failure to follow the warnings and instructions may result in electric shock, fire and/or serious injury.

How to Use This Manual

- Please read this manual completely before starting to cut with your tool. If you let someone else use the tool, make sure they either read this manual or are fully instructed in the proper use and all safety precautions concerning the tool.
- Please keep this manual for future reference. It contains important safety information that you must follow to use the tool safely.
- This manual and product use the following signal words:

NOTE

Notes provide additional information that you should know about the tool.

CAUTION

Caution indicates a potentially hazardous situation, which could result in minor or moderate injury if not avoided. Cautions also alert you to unsafe practices to be avoided.

WARNING

Warning indicates a potentially hazardous situation, which could result in serious injury or death if not avoided.

DANGER

Danger indicates an imminent hazard which will result in serious injury or death if not avoided.

II. GENERAL POWER TOOL SAFETY WARNINGS

⚠ WARNING Read all safety warnings and instructions. Failure to follow the warnings and instructions may result in electric shock, fire and/or serious injury.

Save all warnings and instructions for future reference.

The term “power tool” in the warnings refers to your mains-operated (corded) power tool or battery-operated (cordless) power tool.

Work Area Safety

- 1) **Keep work area clean and well lit.**
Cluttered or dark areas invite accidents.
- 2) **Do not operate power tools in explosive atmospheres, such as in the presence of flammable liquids, gases or dust.**
Power tools create sparks which may ignite the dust or fumes.
- 3) **Keep children and bystanders away while operating a power tool.**
Distractions can cause you to lose control.

Electrical Safety

- 1) **Power tool plugs must match the outlet. Never modify the plug in any way. Do not use any adapter plugs with earthed (grounded) power tools.**
Unmodified plugs and matching outlets will reduce risk of electric shock.
- 2) **Avoid body contact with earthed or grounded surfaces such as pipes, radiators, ranges and refrigerators.**
There is an increased risk of electric shock if your body is earthed or grounded.
- 3) **Do not expose power tools to rain or wet conditions.**
Water entering a power tool will increase the risk of electric shock.
- 4) **Do not abuse the cord. Never use the cord for carrying, pulling or unplugging the power tool. Keep cord away from heat, oil, sharp edges or moving parts.**
Damaged or entangled cords increase the risk of electric shock.

- 5) When operating a power tool outdoors, use an extension cord suitable for outdoor use.**

Use of a cord suitable for outdoor use reduces the risk of electric shock.

- 6) If operating a power tool in a damp location is unavoidable, use a residual current device (RCD) protected supply.**

Use of RCD reduces the risk of electrical shock.

Personal Safety

- 1) Stay alert, watch what you are doing and use common sense when operating a power tool. Do not use a power tool while you are tired or under the influence of drugs, alcohol or medication.**

A moment of inattention while operating power tools may result in serious personal injury.

- 2) Use personal protective equipment. Always wear eye protection.**

Protective equipment such as dust mask, non-skid safety shoes, hard hat, or hearing protection used for appropriate conditions will reduce personal injuries.

- 3) Prevent unintentional starting. Ensure the switch is in the off-position before connecting to power source and/or battery pack, picking up or carrying the tool.**

Carrying power tools with your finger on the switch or energising power tools that have the switch on invites accidents.

- 4) Remove any adjusting key or wrench before turning the power tool on.**

A wrench or a key left attached to a rotating part of the power tool may result in personal injury.

- 5) Do not overreach. Keep proper footing and balance at all times.**

This enables better control of the power tool in unexpected situations.

- 6) Dress properly. Do not wear loose clothing or jewellery. Keep your hair, clothing and gloves away from moving parts.**

Loose clothes, jewellery or long hair can be caught in moving parts.

- 7) If devices are provided for the connection of dust extraction and collection facilities, ensure these are connected and properly used.**

Use of dust collection can reduce dust-related hazards.

Power Tool Use and Care

- 1) Do not force the power tool. Use the correct power tool for your application.**

The correct power tool will do the job better and safer at the rate for which it was designed.

- 2) Do not use the power tool if the switch does not turn it on and off.**

Any power tool that cannot be controlled with the switch is dangerous and must be repaired.

- 3) Disconnect the plug from the power source and/or the battery pack from the power tool before making any adjustments, changing accessories, or storing power tools.**

Such preventive safety measures reduce the risk of starting the power tool accidentally.

- 4) Store idle power tools out of the reach of children and do not allow persons unfamiliar with the power tool or these instructions to operate the power tool.**

Power tools are dangerous in the hands of untrained users.

- 5) Maintain power tools. Check for misalignment or binding of moving parts, breakage of parts and any other condition that may affect the power tool's operation. If damaged, have the power tool repaired before use.**

Many accidents are caused by poorly maintained power tools.

- 6) Keep cutting tools sharp and clean.**

Properly maintained cutting tools with sharp cutting edges are less likely to bind and are easier to control.

- 7) Use the power tool, accessories and tool bits etc., in accordance with these instructions, taking into account the working conditions and the work to be performed.**

Use of the power tool for operations different from those intended could result in a hazardous situation.

Battery Tool Use and Care

- 1) Recharge only with the charger specified by the manufacturer.**

A charger that is suitable for one type of battery pack may create a risk of fire when used with another battery pack.

- 2) **Use power tools only with specifically designated battery packs.**

Use of any other battery packs may create a risk of injury and fire.

- 3) **When battery pack is not in use, keep it away from other metal objects, like paper clips, coins, keys, nails, screws, or other small metal objects, that can make a connection from one terminal to another.**

Shorting the battery terminals together may cause burns or a fire.

- 4) **Under abusive conditions, liquid may be ejected from the battery; avoid contact. If contact accidentally occurs, flush with water. If liquid contacts eyes, additionally seek medical help.**

Liquid ejected from the battery may cause irritation or burns.

Service

- a) **Have your power tool serviced by a qualified repair person using only identical replacement parts.**

This will ensure that the safety of power tool is maintained.

III. SAFETY INSTRUCTIONS FOR ALL SAWS

- 1) **DANGER: Keep hands away from cutting area and the blade. Keep your second hand on auxiliary handle, or motor housing.**

If both hands are holding the saw, they cannot be cut by the blade.

- 2) **Do not reach underneath the workpiece.**

The guard cannot protect you from the blade below the workpiece.

- 3) **Adjust the cutting depth to the thickness of the workpiece.** Less than a full tooth of the blade teeth should be visible below the workpiece.

- 4) **Never hold piece being cut in your hands or across your leg. Secure the workpiece to a stable platform.**

It is important to support the work properly to minimize body exposure, blade binding, or loss of control.

- 5) **Hold power tool by insulated gripping sur-faces when performing an operation where the cutting tool may contact hidden wiring.**

Contact with a "live" wire will also make exposed metal parts of the power tool "live" and shock the operator.

- 6) **When ripping always use a rip fence or straight edge guide.**

This improves the accuracy of cut and reduces the chance of blade binding.

- 7) **Always use blades with correct size and shape (diamond versus round) of arbour holes.**

Blades that do not match the mounting hardware of the saw will run eccentrically, causing loss of control.

- 8) **Never use damaged or incorrect blade washers or bolt.**

The blade washers and bolt were specially designed for your saw, for optimum performance and safety of operation.

IV. FURTHER SAFETY INSTRUCTIONS FOR ALL SAWS

Causes and operator prevention of kick-back:

- kickback is a sudden reaction to a pinched, bound or misaligned saw blade, causing an uncontrolled saw to lift up and out of the work-piece toward the operator;
- when the blade is pinched or bound tightly by the kerf closing down, the blade stalls and the motor reaction drives the unit rapidly back to-ward the operator;
- if the blade becomes twisted or misaligned in the cut, the teeth at the back edge of the blade can dig into the top surface of the wood causing the blade to climb out of the kerf and jump back toward the operator.

Kickback is the result of saw misuse and/or incorrect operating procedures or conditions and can be avoided by taking proper precautions as given below.

- 1) **Maintain a firm grip with both hands on the saw and position your arms to resist kick-back forces. Position your body to either side of the blade, but not in line with the blade.**

Kickback could cause the saw to jump backwards, but kickback forces can be controlled by the operator, if proper precautions are taken.

- 2) **When blade is binding, or when interrupting a cut for any reason, release the trigger and hold the saw motionless in the material until the blade comes to a complete stop. Never attempt to remove the saw from the work or pull the saw back-**

ward while the blade is in motion or kick-back may occur.

Investigate and take corrective actions to eliminate the cause of blade binding.

- 3) **When restarting a saw in the workpiece, center the saw blade in the kerf and check that saw teeth are not engaged into the material.**

If saw blade is binding, it may walk up or kick-back from the workpiece as the saw is restarted.

- 4) **Support large panels to minimize the risk of blade pinching and kickback.**

Large panels tend to sag under their own weight. Supports must be placed under the panel on both sides, near the line of cut and near the edge of the panel.

- 5) **Do not use dull or damaged blades.**

Unsharpened or improperly set blades produce narrow kerf causing excessive friction, blade binding and kickback.

- 6) **Blade depth and bevel adjusting locking levers must be tight and secure before making cut.**

If blade adjustment shifts while cutting, it may cause binding and kickback.

- 7) **Use extra caution when making a "plunge cut" into existing walls or other blind areas.**

The protruding blade may cut objects that can cause kickback.

V. SAFETY INSTRUCTIONS FOR THIS SAW

- 1) **Check lower guard for proper closing before each use. Do not operate the saw if lower guard does not move freely and close instantly. Never clamp or tie the lower guard into the open position.**

If saw is accidentally dropped, lower guard may be bent. Raise the lower guard with the retracting handle and make sure it moves freely and does not touch the blade or any other part, in all angles and depths of cut.

- 2) **Check the operation of the lower guard spring. If the guard and the spring are not operating properly, they must be serviced before use.**

Lower guard may operate sluggishly due to damaged parts, gummy deposits, or a build-up of debris.

- 3) **Lower guard should be retracted manually only for special cuts such as "plunge cuts" and "compound cuts." Raise lower guard by retracting handle and as soon**

as blade enters the material, the lower guard must be released.

For all other sawing, the lower guard should operate automatically.

- 4) **Always observe that the lower guard is covering the blade before placing saw down on bench or floor.**

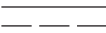
An unprotected, coasting blade will cause the saw to walk backwards, cutting whatever is in its path. Be aware of the time it takes for the blade to stop after switch is released.

VI. ADDITIONAL SAFETY INSTRUCTIONS

- 1) **Do not use any abrasive wheels.**
- 2) **Wear a dust mask, if the work causes dust.**
- 3) **Use saw blades recommended by Manufacturer.**
- 4) **Wear ear protectors when using the tool for extended periods.**
- 5) **The risk of kickback increases as the battery pack discharges.**
- 6) **Be sure to inspect material. Avoid cutting other different material.**
- 7) **Be careful not to drop the tool.**
- 8) **Never swing the tool.**
- 9) **Never cover the ventilation slots, and keep them free from dust or other material.**
- 10) **Do not clamp the tool in a vise. Never cut with the tool held upside down in a vise. This is extremely dangerous and can lead to serious accidents.**
- 11) **Never wear knitted gloves.**
- 12) **Be sure no one is below when using the tool in high locations.**
- 13) **Do not touch the blade immediately after operation. It may be hot and could burn your skin.**
- 14) **Do not touch material after it has been cut. Cut material may be very hot.**
- 15) **Do not use cutting oil. This use of cutting oil may cause a fire.**
- 16) **Do not cut workpieces covered or stained with gas, oil, solvents, thinners, etc. Exposure to these materials may damage the transparent guard.**
- 17) **Do not remove the transparent and lower guards. If the transparent and lower guards is damaged or missing, return tool to authorized service center for replacement.**

18) Do not start the blade when in contact with workpiece. Wait for blade to reach full speed before beginning cut.

Symbol

| Symbol | Meaning |
|---|-------------------------------|
| V | Volts |
|  | Direct current |
| n_0 | No load speed |
| $\dots \text{min}^{-1}$ | Revolutions or reciprocations |
| A | Amperes |

⚠ WARNING

- Do not use other than the Panasonic battery packs that are designed for use with this rechargeable tool.
- Do not dispose of the battery pack in a fire, or expose it to excessive heat.
- Do not drive the likes of nails into the battery pack, subject it to shocks, dismantle it, or attempt to modify it.
- Do not allow metal objects to touch the battery pack terminals.
- Do not carry or store the battery pack in the same container as nails or similar metal objects.
- Do not charge the battery pack in a high-temperature location, such as next to a fire or in direct sunlight. Otherwise, the battery may overheat, catch fire, or explode.
- Never use other than the dedicated charger to charge the battery pack. Otherwise, the battery may leak, overheat, or explode.
- After removing the battery pack from the tool or the charger, always reattach the pack cover. Otherwise, the battery contacts could be shorted, leading to a risk of fire.

⚠ WARNING

Some dust created by power sanding, sawing, grinding, drilling, and other construction activities contains chemicals known to the State of California to cause cancer, birth defects or other reproductive harm. Some examples of these chemicals are:

- Lead from lead-based paints
- Crystalline silica from bricks and cement and other masonry products
- Arsenic and chromium from chemically-treated lumber.

To reduce your exposure to these chemicals: work in a well ventilated area, and work with approved safety equipment, such as dust masks that are specially designed to filter out micro-scopic particles.

VII. FOR BATTERY CHARGER & BATTERY PACK

Important Safety Instructions

- 1) **SAVE THESE INSTRUCTIONS** -This manual contains important safety and operating instructions for battery charger EYOL80.
- 2) Before using battery charger, read all instructions and cautionary markings on battery charger, battery pack, and product using battery pack.
- 3) **CAUTION** -To reduce the risk of injury, charge only Panasonic Battery Pack as shown in last page. Other types of batteries may burst causing personal injury and damage.
- 4) Do not expose charger and battery pack to rain or snow.
- 5) To reduce risk of damaging the electric plug and cord, pull by plug rather than cord when disconnecting charger.
- 6) Make sure cord is located so that it will not be stepped on, tripped over, or otherwise subjected to damage or stress.
- 7) An extension cord should not be used unless absolutely necessary. Use of improper extension cord could result in a risk of fire and electric shock. If extension cord must be used, make sure that:
 - a. pins on plug of extension cord are the same number, size and shape as those of plug on charger.

- b. extension cord is properly wired and in good electrical condition.
- c. wire size is large enough for ampere rating of charger as specified below.

| RECOMMENDED MINIMUM AWG SIZE OF EXTENSION CORDS FOR BATTERY CHARGERS | | | |
|--|---------------|----------------------|------------|
| AC Input Rating. | Amperes | AWG Size of Cord | |
| Equal to or greater than | But less than | Length of Cord, Feet | |
| | | 25 | 50 100 150 |
| 0 | 2 | 18 18 | 18 16 |

- 8) Do not operate charger with damaged cord or plug-replace them immediately.
- 9) Do not operate charger if it has received a sharp blow, been dropped, or otherwise damaged in any way; take it to a qualified service personnel.
- 10) Do not disassemble charger; take it to a qualified service personnel when service or repair is required. Incorrect reassembly may result in a risk of electric shock or fire.
- 11) To reduce the risk of electric shock, unplug charger from outlet before attempting any maintenance or cleaning.
- 12) The charger and battery pack are specifically designed to work together. Do not attempt to charge any other cordless tool or battery pack with this charger.
- 13) Do not attempt to charge the battery pack with any other charger.
- 14) Do not attempt to disassemble the battery pack housing.
- 15) Do not store the tool and battery pack in locations where the temperature may reach or exceed 50°C (122°F) (such as a metal tool shed, or a car in the summer), which can lead to deterioration of the storage battery.
- 16) Do not charge battery pack when the temperature is BELOW 0°C (32°F) or ABOVE 40°C (104°F). This is very important in order to maintain optimal condition of the battery pack.
- 17) Do not incinerate the battery pack. It can explode in a fire.
- 18) Avoid dangerous environment. Do not use charger in damp or wet locations.
- 19) The charger is designed to operate on standard household electrical power only. Do not attempt to use it on any other voltage!
- 20) Do not abuse cord. Never carry charger by cord or yank it to disconnect from outlet. Keep cord away from heat, oil and sharp edges.

- 21) Charge the battery pack in a well ventilated place, do not cover the charger and battery pack with a cloth, etc., while charging.
- 22) Use of an attachment not recommended may result in a risk of fire, electric shock, or personal injury.
- 23) Do not short the battery pack. A battery short can cause a large current flow, over heating and create the risk of fire or personal injury.
- 24) NOTE: If the supply cord of this appliance is damaged, it must only be replaced by a repair shop authorized by the manufacturer, because special purpose tools are required.
- 25) TO REDUCE THE RISK OF ELECTRIC SHOCK, THIS APPLIANCE HAS A POLARIZED PLUG (ONE BLADE IS WIDER THAN THE OTHER).
This plug will fit in a polarized outlet only one way. If the plug does not fit fully in the outlet, reverse the plug. If it still does not fit, contact a qualified electrician to install the proper outlet. Do not change the plug in any way.

VIII. ASSEMBLY

Attaching or Removing Battery Pack

CAUTION:

Before inserting battery pack, check that the power switch in the tool actuates properly and returns to the "OFF" position when released.

- 1. To connect the battery pack (See Fig. 2)
Line up the alignment marks and attach the battery pack.
 - Slide the battery pack until it locks into position.

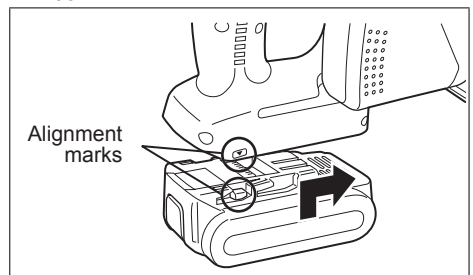


Fig. 2

- To remove the battery pack (See Fig. 3)
Push on the button from the front to release the battery pack.

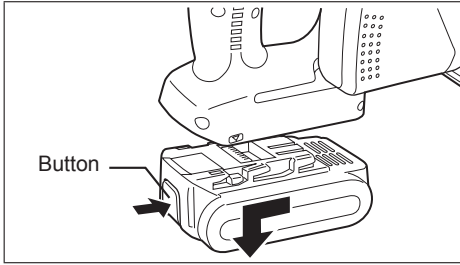


Fig. 3

IX. OPERATION

Before Using the Tool

This tool is intended to cut unhardened ferrous metal, nonferrous metal, wood, and plastic. Refer to the "Accessories" section for a list of blades to be used for the proper applications of this tool. The following precautions must be followed to reduce the risk of injury;

- Do not cut stacked materials. Cut one piece at a time.
- Do not cut hardened steel.
- Cut materials with the wider edge of the shoe over the clamped side of the material.
- Do not touch the saw blade, workpiece, or cutting chips with bare hands immediately after cutting; they may be hot and could burn skin.

Each time you use the tool, you must make sure it is in good operating condition.

Use the following checklist:

- Is the blade installed in the correct direction?
The arrow on the blade must point in the same direction as the arrow on the upper blade cover.
- Is the blade installed properly?
Make sure the hex bolt is tightened securely. (See Fig. 6)
- Does the blade look alright?
Replace the blade immediately if there are any cracks in it or if any teeth are broken.
- Does the lower guard close properly?

⚠ WARNING

To avoid injury, do not use the tool if the lower guard does not close quickly over the blade.

- Is the transparent guard securely installed?

- Is the battery pack charged and inserted firmly to the tool?
- Is the depth adjustment nut for cutting securely tightened?
- Is the workpiece securely clamped on a saw horse or bench?
- Is the dust case or front cover clogged with dust?

Disengage the front cover lock button and remove any dust that has become clogged inside the cover. If the cover is clogged, use a long object such as a manual screwdriver to unclog it. After doing so, close the front cover. (See Fig. 4)

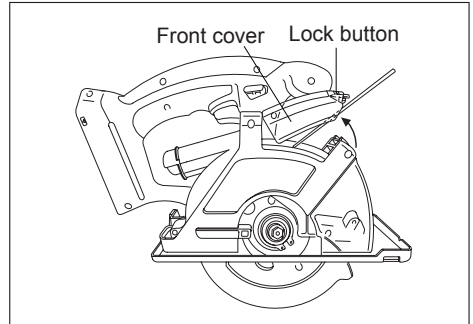


Fig. 4

If there is dust inside the dust case, disengage the dust case lock button, detach the dust case, and remove the dust. After doing so, reattach the dust case. (See Fig. 5)

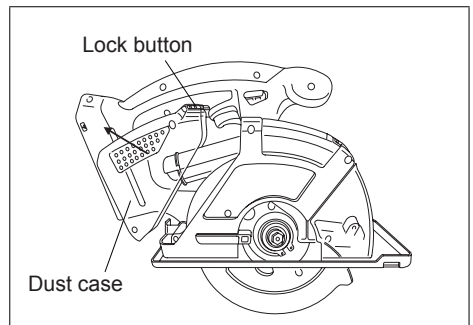


Fig. 5

Installing Blade

Follow these steps:

1. Remove the battery pack from the tool.
2. Remove any cutting debris from blade area.
3. Use the retracting handle to retract (open) the lower guard.
4. Install the blade as illustrated. (See Fig. 6) Make sure that both the direction arrow on the blade and the direction arrow on the transparent guard point in the same direction.
5. Set the outer washer in place.
6. Insert the hex bolt.
7. Hold the spindle lock button down. This prevents the blade from rotating.
8. Tighten the hex bolt securely with the provided hex wrench. Store the hex wrench.

NOTE:

Keep the hex wrench in the storage slot on the tool's body when not using it.

⚠ WARNING

Failure to follow these instructions can result in serious personal injury.

Removing Blade

CAUTION:

The blade will be hot right after cutting. Be sure to let the blade cool down before removing it.

Follow these steps:

1. Remove the battery pack from the tool.
2. Hold the spindle lock button down. This prevents the blade from rotating.
3. Use the provided hex wrench to loosen the hex bolt.

NOTE:

Keep the hex wrench in the storage slot on the tool's body when not using it.

4. Remove the hex bolt and outer washer.
5. Use the retracting handle to retract (open) the lower guard.
6. Carefully remove the blade.
7. Clean the tool if necessary.

CAUTION:

Be careful to avoid cutting your hands on the blade.

- When disposing of a blade, secure it inside heavy or corrugated paper. This will help prevent anyone from being cut by the discarded blade.

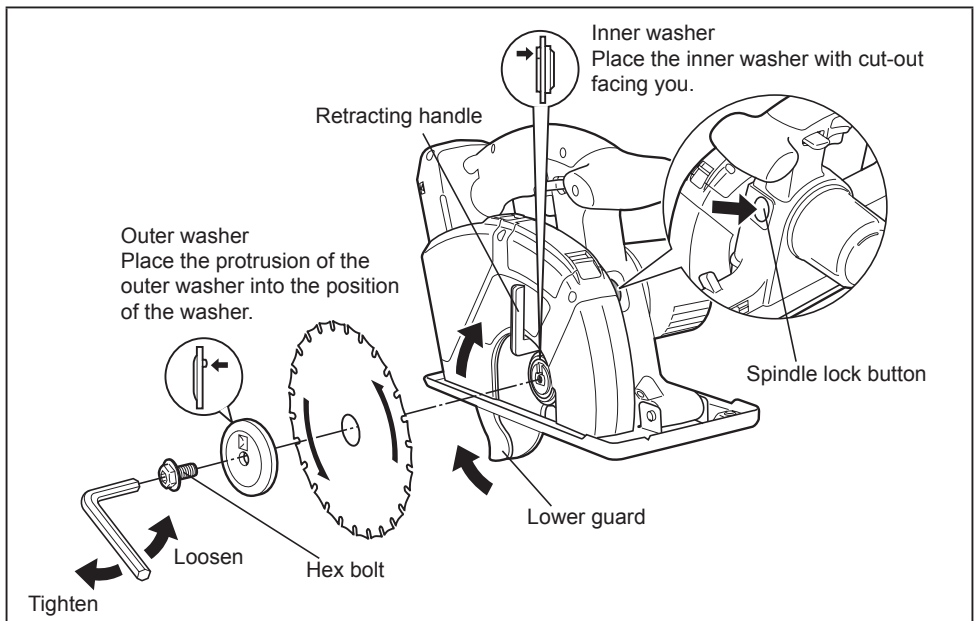


Fig. 6

Using the Tool

CAUTION:

To reduce the risk of injury read the Safety Instructions at the front of this manual before using the tool.

⚠WARNING

To reduce the risk of injury, wear safety goggles or glasses with side shields while using the tool. Additionally, wear a dust mask when cutting materials that generate excessive particulate matter. Do not use tool in the rain. Doing so may result in electric shock or cause the tool to emit smoke.

Do not cut materials on which there is any paint thinner, gasoline, oil, or similar build-up. Doing so may cause the dust case to crack, resulting in injury.

Follow these steps:

Hold the tool with both hands. (See Fig. 8) Do not attempt to remove cut material when blade is moving.

1. Line up the sight line on shoe with your cutting line. (See Fig. 7)

Alignment with cutting line

- Position the notch on the shoe over the cutting line, aligning the top and bottom corners of the diamond-shaped opening with the line. As the cutting position may differ depending on the blade, do a trial cut beforehand.

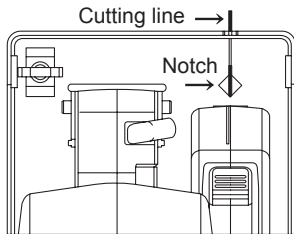


Fig. 7

2. Press the switch lock lever down, then squeeze the power switch to start the motor, and then release the switch lock lever.

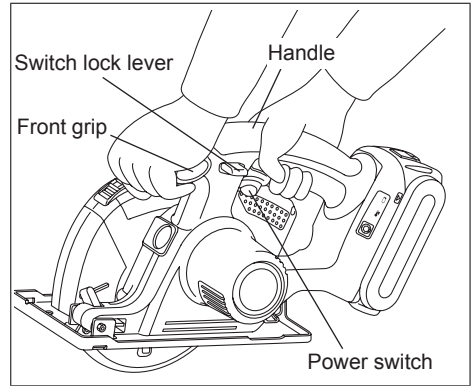


Fig. 8

CAUTION:

- Check that the switch lock lever works.
 - If power switch can be activated without depressing the switch lock lever, discontinue use immediately. Take the tool to an authorized service center.
 - Always hold the handle with one hand and the front grip with the other. (See Fig. 8) Maintain a firm grip and depress the switch fully.
 - The blade should not touch the cutting material before you start the motor. Wait until the blade reaches full speed before starting a cut.
 - This tool has no provision to lock the power switch in the "ON" position, and you must not attempt to secure it in the "ON" position.
3. Start cutting when the blade reaches full speed.
 4. During cutting, keep your cutting line straight. Move the tool forward at a steady speed, while looking at the tip of the blade through the transparent guard.

⚠WARNING

- To prevent dangerous kickback, keep the shoe of the tool flat on the surface of the material being cut.
- Never force the tool. Use light and continuous pressure.

5. If the motor become too warm, stop cutting. Let the tool cool down before continuing work.
6. It is always a safe practice to remove the battery pack after use and before storing the tool.

Cutting depth adjustment

- Remove battery pack.
- Loosen the depth adjustment nut and adjust the cutting depth, using the graduations on the lower guard to gauge the depth. Once finished adjusting the depth, tighten the depth adjustment nut securely.
- * When wood material is 10 mm (3/8") or less thick, adjust the cutting depth so that the blade protrudes approx. 5 mm (3/16") from the bottom of the material.

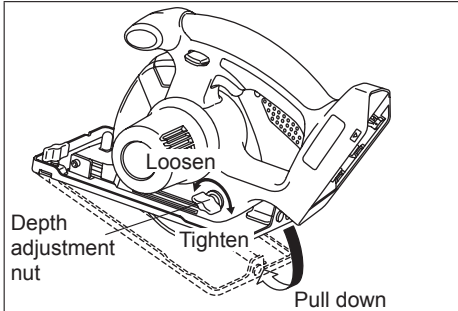


Fig. 9

Rip fence (EY3500B7727)

(Available as an accessory, not included)

Rip fence is convenient for rip cuts and repeated cuts of uniform width.

- Remove battery pack.
- Insert rip fence and adjust cutting width. (See Fig. 10)
- Fasten screw securely to fix rip fence.

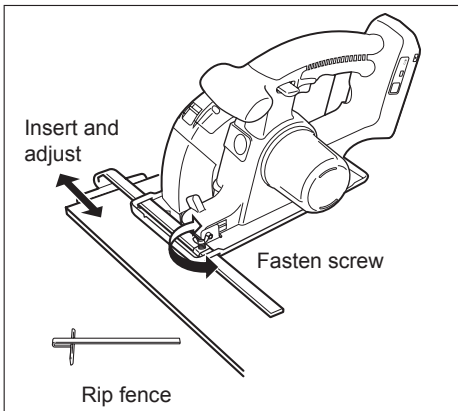


Fig. 10

Collecting Dust

⚠ WARNING

- * Before cutting metal materials, always empty the dust case, open the front cover and remove the dust.
- Use the tool with the flammable materials in the dust case to cut metal materials may result in fire
- * When cutting metal materials, always use the tool with the dust case attached.
- Flying sparks and metal chips may cause injury.
- * Do not carry or store the battery pack in the same container as nails or similar metal objects.

(1) Collect dust in the dust case.

- * Empty the dust case when it is filled up with dust.
- * Empty the dust case before storing the tool.
- * Dust case capacity
 - When cutting electrical conduit with a diameter of 25 mm (1"), approximately 130 cuts
 - When cutting 45 mm (1-25/32") x 45 mm (1-25/32") lumber, approximately 150 cuts

NOTE:

Some materials may cause dust to become clogged inside the front cover when cutting those materials.

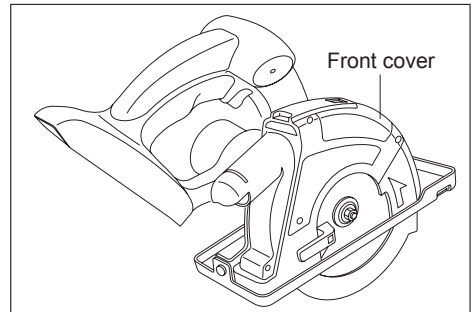


Fig. 11

(2) Use with vacuum cleaner to collect dust.

- * Connect the tool to the hose using the EY9X012E vacuum cleaner hose adapter (sold separately).
Compatible hose inner diameter: 25 mm (1") to 38 mm (1-2/1")
- * Operate the vacuum cleaner obeying its instructions.

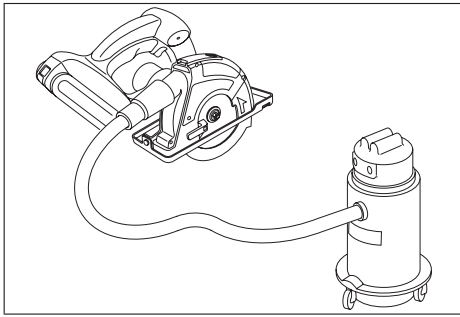
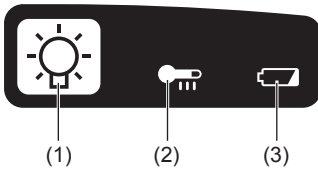


Fig. 12

NOTE:

When the tool has difficulty in ejecting or collecting dust, the dust outlet may be clogged with dust. Open the front cover and remove any dust.

Control Panel



(1) LED light

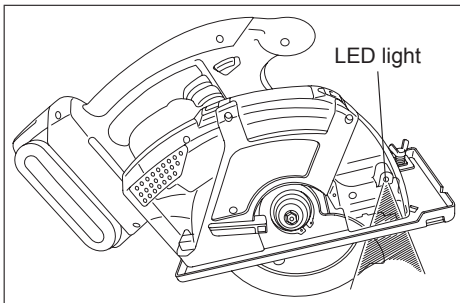


Fig. 13

Before the use of LED light, always pull the power switch once.

Press  the LED light on button.

The light illuminates with very low current, and it does not adversely affect the performance of the tool during use or its battery capacity.

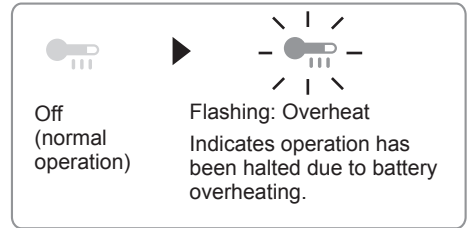
CAUTION:

- The built-in LED light is designed to illuminate the small work area temporarily.
- Do not use it as a substitute for a regular flashlight, since it does not have enough brightness.
- LED light turns off when the tool has not been used for 5 minutes.

Caution : DO NOT STARE INTO BEAM.

Use of controls or adjustments or performance of procedures other than those specified herein may result in hazardous radiation exposure.

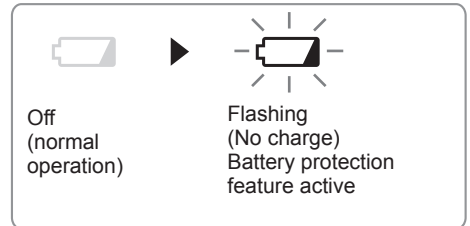
(2) Overheat warning lamp



The overheating protection feature halts tool operation to protect the battery pack in the event of overheating. The overheat warning lamp on the control panel flashes when this feature is active.

- If the overheating protection feature activates, allow the tool to cool thoroughly (at least 30 minutes). The tool is ready for use when the overheat warning lamp goes out.
- Avoid using the tool in a way that causes the overheating protection feature to activate repeatedly.

(3) Battery low warning lamp



Excessive (complete) discharging of lithium ion batteries shortens their service life dramatically. The tool includes a battery protection feature designed to prevent excessive discharging of the battery pack.

- The battery protection feature activates immediately before the battery loses its charge, causing the battery low warning lamp to flash.
- If you notice the battery low warning lamp flashing, charge the battery pack immediately.

For Proper Use (Further Detail)

⚠ **WARNING**

To prevent the risk of serious personal injury:

- It is important to use an appropriate device to hold the material being cut properly, and to hold the tool firmly with both hands to prevent loss of control which could cause personal injury.
- Figure 14 shows proper cutting position.
- Note that hands are kept away from cutting area.
- Make sure bystanders are away from work area and from underneath of workpiece.
- When cutting, do not try to hold the material with your hand.

Cutting large sheets;

Support large sheets. Be sure to set the depth of the cut so that you only cut through the workpiece, not through the supports. (See Fig. 15)

Large sheets sag or bend if they are not correctly supported. If you attempt to cut without levelling and properly supporting the workpiece, the blade will tend to bind, causing kickback. (See Fig. 16)

- Don't support the material away from the cut.

Cutting thin or corrugated materials;

Cut thin and corrugated materials at least 25 mm (1") from the edge of the workpiece to avoid injury or damage to the tool caused by thin strips of metal being pulled into the upper guard.

- Use sharp blades only. Clean and sharp blades minimize stalling and kickback.

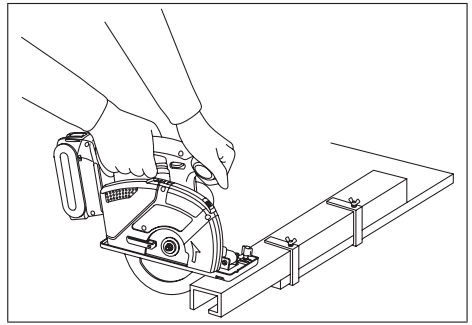


Fig. 14

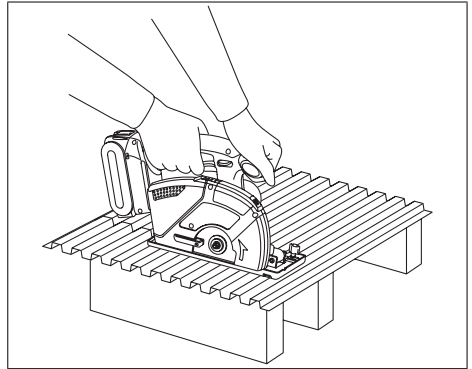


Fig. 15

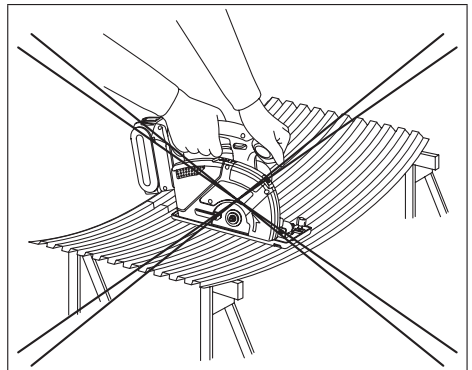


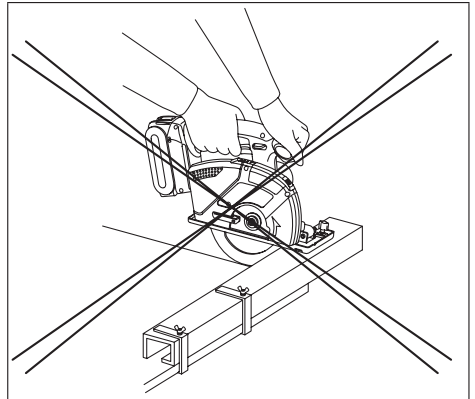
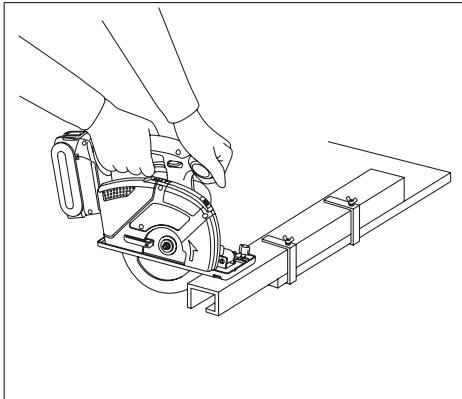
Fig. 16

⚠WARNING

To prevent the risk of serious personal injury:

- When making an incomplete cut or cutting is interrupted, or blade is binding or tool is stalling; release the power switch immediately and hold the tool motionless in the material until the blade comes to a complete stop.
- To avoid kickback, never attempt to remove the tool from the work or pull the tool backward while the blade is in motion. Make sure the blade has come to a complete stop, then remove tool from cut.
- To resume cutting, start tool, allow the blade to reach full speed, reenter the cut slowly and resume cutting.

1. Place the wider part of the shoe on the part of the work piece which is solidly supported (See Fig. 17), never on the section that will fall off when the cut is made. (See Fig. 18)
Hold the tool firmly to prevent loss of control. Working carelessly can cause severe personal injury.



2. Make sure the blade stops.
Even though your tool has a brake, before setting the tool down, make sure the blade has come to a complete stop and the lower guard has closed.
3. Do not use if anything seem unusual. Remove battery pack immediately.
If the tool body becomes very hot, or does not work properly, remove the battery pack and do not use. Have it checked by an authorized service center.

⚠WARNING

To prevent the risk of serious personal injury or fire, do not try to repair the tool by yourself. Never disassemble or modify the tool body. There are no user-repairable parts inside.

4. NEVER ALLOW THE TOOL TO COME IN CONTACT WITH YOUR BODY.
After completing a cut, do not allow the tool to brush against your leg or side.
Since the lower guard is retractable, it could catch on your clothing and expose the blade. Keep clothing away from tool. Be aware of the exposed blade sections that exist in both the upper and lower guard areas.

⚠WARNING

Because cutting metal creates sparks;

- Always use safety goggles.
- Do not use tool near any flammable substance or in an area where flammable substances are used. Fire and burn injury could result.

5. Never engage the spindle lock while blade is running, or engage in an effort to stop the tool. Never turn the switch on when the spindle lock is engaged. Serious damage to your tool will result.

[Battery Pack]

For Appropriate Use of Battery Pack

Li-ion Battery Pack (EY9L40)

- For optimum battery life, store the Li-ion battery pack following use without charging it.
- When charging the battery pack, confirm that the terminals on the battery charger are free of foreign substances such as dust and water etc. Clean the terminals before charging the battery pack if any foreign substances are found on the terminals. The life of the battery pack terminals may be affected by foreign substances such as dust and water etc. during operation.
- When battery pack is not in use, keep it away from other metal objects like: paper clips, coins, keys, nails, screws, or other small metal objects that can make a connection from one terminal to another. Shorting the battery terminals together may cause sparks, burns or a fire.
- When operating the battery pack, make sure the work place is well ventilated.
- When the battery pack is removed from the main body of the tool, replace the battery pack cover immediately in order to prevent dust or dirt from contaminating the battery terminals and causing a short circuit.



Battery Pack Life

The rechargeable batteries have a limited life. If the operation time becomes extremely short after recharging, replace the battery pack with a new one.

Battery Recycling

ATTENTION:

FOR Li-ion Battery Pack, EY9L40

A Li-ion battery that is recyclable powers the product you have purchased. Please call **1-800-8-BATTERY** for information on how to recycle this battery.



[Battery Charger] Charging

Cautions for the Li-ion Battery Pack

- If the temperature of the battery pack falls approximately below -10°C (14°F), charging will automatically stop to prevent degradation of the battery.

Common Cautions for the Li-ion/Ni-MH/Ni-Cd Battery Pack

- The ambient temperature range is between 0°C (32°F) and 40°C (104°F). If the battery pack is used when the battery temperature is below 0°C (32°F), the tool may fail to function properly.
- When charging a cool battery pack (below 0°C (32°F)) in a warm place, leave the battery pack at the place and wait for more than one hour to warm up the battery to the level of the ambient temperature.
- Cool down the charger when charging more than two battery packs consecutively.
- Do not insert your fingers into contact hole, when holding charger or any other occasions.

CAUTION:

To prevent the risk of fire or damage to the battery charger.

- Do not use power source from an engine generator.
- Do not cover vent holes on the charger and the battery pack.
- Unplug the charger when not in use.

Li-ion Battery Pack

NOTE:

Your battery pack is not fully charged at the time of purchase. Be sure to charge the battery before use.

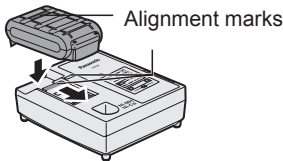
Battery charger (EY0L80)

1. Plug the charger into the AC outlet.

NOTE:

Sparks may be produced when the plug is inserted into the AC power supply, but this is not a problem in terms of safety.

2. Insert the battery pack firmly into the charger.
 - 1 Line up the alignment marks and place the battery onto the dock on the charger.
 - 2 Slide forward in the direction of the arrow.



3. During charging, the charging lamp will be lit. When charging is completed, an internal electronic switch will automatically be triggered to prevent overcharging.
 - Charging will not start if the battery pack is warm (for example, immediately after heavy-duty operation).
The orange standby lamp will be flashing until the battery cools down.
Charging will then begin automatically.
4. The charge lamp (green) will flash slowly once the battery is approximately 80% charged.
5. When charging is completed, the charging lamp will start flashing quickly in green color.
6. If the temperature of the battery pack is 0°C or less, charging takes longer to fully charge the battery pack than the standard charging time. Even when the battery is fully charged, it will have approximately 50% of the power of a fully charged battery at normal operating temperature.
7. If the power lamp does not light immediately after the charger is plugged in, or if after the standard charging time the charging lamp does not flash quickly in green, consult an authorized dealer.
8. If a fully charged battery pack is inserted into the charger again, the charging lamp lights up. After several minutes, the charging lamp

may flash quickly to indicate the charging is completed.

Ni-MH/Ni-Cd Battery Pack

NOTE:

When you charge the battery pack for the first time, or after prolonged storage, charge it for about 24 hours to bring the battery up to full capacity.

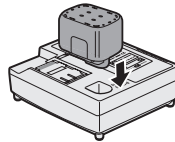
Battery charger (EY0L80)

1. Plug the charger into the AC outlet.

NOTE:

Sparks may be produced when the plug is inserted into the AC power supply, but this is not a problem in terms of safety.

2. Insert the battery pack firmly into the charger.



3. During charging, the charging lamp will be lit. When charging is completed, an internal electronic switch will automatically be triggered to prevent overcharging.
 - Charging will not start if the battery pack is warm (for example, immediately after heavy-duty operation).
The orange standby lamp will be flashing until the battery cools down. Charging will then begin automatically.
4. When charging is completed, the charging lamp will start flashing quickly in green color.
5. If the charging lamp does not light immediately after the charger is plugged in, or if after the standard charging time the charging lamp does not flash quickly in green, consult an authorized dealer.
6. If a fully charged battery pack is inserted into the charger again, the charging lamp lights up. After several minutes, the charging lamp may flash quickly to indicate the charging is completed.

Lamp Indications



Green Lit
Charger is plugged into the AC outlet.
Ready to charge.



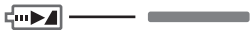
Green Flashing Quickly
Charging is completed. (Full charge.)



Green Flashing
Battery is approximately 80% charged (Usable charge. Li-ion only).



Green Lit
Now charging



Orange Lit
Battery pack is cool.
The battery pack is being charged slowly to reduce the load on the battery. (Li-ion only)



Orange Flashing
Battery pack is warm. Charging will begin when temperature of battery pack drops.

If the temperature of the battery pack is -10°C or less, the charging status lamp (orange) will also start flashing. Charging will begin when the temperature of the battery pack goes up (Li-ion only).



Charging Status Lamp
Left: green Right: orange will be displayed.



Both Orange and Green Flashing Quickly
Charging is not possible. Clogged with dust or malfunction of the battery pack.

X. MAINTENANCE

⚠ WARNING

To avoid severe personal injury, always remove the battery pack from the tool before starting any maintenance procedure.

CAUTION:

To assure product SAFETY and RELIABILITY, servicing should be performed by an authorized service center. Always insist on genuine Panasonic replacement parts.

Cleaning Tool

Keep your tool clean for good cutting performance, and to help keep it safe to use.

Follow these steps:

1. Remove the battery pack from the tool.
2. Wipe the tool with a dry, soft cloth. Do not use a wet cloth or cleaning liquids.
They could damage the tool's finish.
3. Be sure to rub off any oil or grease which could make the tool slippery or hard to handle.

4. Remove the blade and brush off any dust.

CAUTION:

To avoid injury or damage to the unit, never immerse any part of the tool in a liquid.

Transparent Guard

⚠ WARNING

If the guard is cracked, or is broken, take the tool to an authorized service center for replacement. Do not attempt to operate tool. It could result in serious personal injury.
Never use your tool with a damaged transparent guard or without the transparent guard installed. Flying chips could result in serious injury.

XI. ACCESSORIES

⚠ WARNING

- The use of any accessories not specified in this manual may result in fire, electric shock, or personal injury. Use recommended accessories only.
- Use of a blade on material that is thicker or thinner than that recommended for that blade will result in a rough cut, and could increase the risk of "kickback" or other injury.

Carbide-tipped Blade for Metal

- EY9PM13C
For cutting unhardened ferrous material
Thickness of material
0.5 mm – 6.0 mm (1/32"-1/4")

Carbide-tipped Blade for Thin Metal (Optional accessory)

- EY9PM13D
For cutting unhardened thin ferrous thin material that clean cutting edge required
Thickness of material
0.5 mm – 6.0 mm (1/32"-1/4")

Carbide-tipped Blade for Wood (Optional accessory)

- EY9PW13A
For cutting wood in general

Carbide-tipped Blade for Thin Wood (Optional accessory)

- EY9PW13B
For cutting thin wood that clean cutting edge required
Recommended thickness of material up to 12 mm

Carbide-tipped Blade for Plastic (Optional accessory)

- EY9PP13B
For cutting plastic
Recommended thickness of material acrylic and vinyl chloride plates:
2.0 mm – 5.0 mm (5/64" – 3/16")
corrugated pates, pipes
0.8 mm – 5.0 mm (1/32" – 3/16")

Vacuum hose adaptor (Optional accessory)

- EY9X012E

Rip Fence (Optional accessory)

- EY3500B7727
For convenience of rip cuts and repeated cut of uniform width

XII. SPECIFICATIONS

| | |
|------------------------------------|---|
| Motor voltage | 14.4 V DC |
| Blade speed | 3600 min ⁻¹ (rpm) |
| Blade size | |
| Outside diameter | 135 mm (5-3/8") |
| Arbor size | 20 mm (25/32") |
| Maximum cutting depth | 0 – 46 mm (0" – 1-13/16") (φ135 mm blade) |
| Overall length | 329 mm (12-61/64") |
| Weight (with battery pack: EY9L40) | 2.65 kg (5.7 lbs) |

BATTERY PACK

| | |
|-----------------|-----------------------------|
| Model | EY9L40 |
| Storage battery | Li-ion Battery |
| Battery voltage | 14.4 V DC (3.6 V x 4 cells) |
| Capacity | 3 Ah |

BATTERY CHARGER

| | |
|--------|--|
| Model | EY0L80 |
| Rating | See the rating plate on the bottom of the charger. |
| Weight | 0.95 kg (2.1 lbs) |

[Li-ion battery pack]

| | | | | |
|---------------|------|-----------------|-----------------|-----------------|
| Charging time | 3 Ah | 14.4 V | 21.6 V | 28.8 V |
| | | EY9L40 | EY9L60 | EY9L80 |
| | | Usable: 35 min. | Usable: 45 min. | Usable: 55 min. |
| | | Full: 50 min. | Full: 60 min. | Full: 70 min. |

[Ni-Cd/Ni-MH battery pack]

| | | | | | | | | |
|---------------|--------|------------------|------------------|------------------|----------------------------|---------|------|------------------|
| Charging time | 1.2 Ah | 7.2 V | 9.6 V | 12 V | 15.6 V | 18 V | 24 V | |
| | | EY9065 EY9066 | EY9080 EY9086 | EY9001 | | | | |
| | | 20 min. | | | | | | |
| | | 1.7 Ah | | EY9180 EY9182 | EY9101 EY9103 | | | |
| | | | 25 min. | | | | | |
| | | 2 Ah | EY9168 | EY9188 | EY9106 EY9107 EY9108 | EY9136 | | EY9116 EY9117 |
| 30 min. | | | | | 60 min. | | | |
| 3 Ah | | | EY9200 EY9230 | | | EY9210 | | |
| | | | 45 min. | | | 90 min. | | |
| 3.5 Ah | | | EY9201 | EY9231 | EY9251 | | | |
| | | | | 55 min. | | 65 min. | | |

NOTE: This chart may include models that are not available in your area.
Please refer to the latest general catalogue.

I. INTRODUCTION

Cet outil est une scie à métaux polyvalente sans fil. En changeant la lame, il peut être utilisé pour scier du bois, du métal et du plastique. La poussière peut être rassemblée au moyen d'une boîte à poussière intégrée ou par un aspirateur connecté (en fixant la durit à la scie circulaire).

△ DANGER

Ce produit est un appareil de sciage conçu pour scier du métal et du bois. Sa lame circulaire rotative a une puissance de coupe extrêmement forte de sorte qu'une utilisation inappropriée peut se traduire par de très graves blessures voire entraîner la mort. C'est la raison pour laquelle nous vous demandons de lire attentivement cette notice d'utilisation et les marques d'avertissement sur l'outil, et de vous conformer rigoureusement à toutes les instructions de sécurité afin d'éviter de vous blesser.

△ AVERTISSEMENT

Afin d'éviter toute blessure, n'insérez jamais vos doigts ou tout autre objet dans aucune des ouvertures de l'outil.

△ AVERTISSEMENT

Lisez tous les avertissements de sécurité et toutes les instructions.

Si ces avertissements et ces instructions ne sont pas observés, cela peut entraîner des décharges électriques, un incendie et/ou des blessures graves.

Comment se servir de cette notice

- Veuillez lire complètement ce manuel avant de commencer à scier avec votre outil. Si vous laissez quelqu'un d'autre utiliser l'outil, assurez-vous qu'il ait lu ce manuel ou qu'il ait été complètement instruit dans l'utilisation correcte de l'outil et dans toutes les précautions de sécurité concernant l'outil.
- Veuillez conserver ce manuel pour référence ultérieure. Il contient d'importants renseignements concernant la sécurité que vous devez observer afin d'utiliser l'outil en toute sécurité.
- Dans cette notice et sur l'outil figurent les termes de signalisation suivants:

REMARQUE

Les remarques fournissent des renseignements supplémentaires concernant l'outil dont vous devez prendre connaissance.

MISE EN GARDE

Les mises en garde signalent des situations présentant un danger réel pouvant se traduire par des blessures superficielles ou moyennes si elles ne sont pas abandonnées. Les mises en garde rappellent aussi que les pratiques envisagées ne sont pas sûres et doivent être abandonnées.

AVERTISSEMENT

Les avertissements signalent des situations présentant un danger réel pouvant se traduire par des accidents graves voire entraîner la mort si elles ne sont pas abandonnées.

DANGER

Les rappels de danger signalent un risque imminent pouvant se traduire par des accidents graves voire entraîner la mort s'il n'est pas évité.

II. AVERTISSEMENT DE SECURITE POUR LES OUTILS MECANQUES EN GENERAL

△ AVERTISSEMENT

Veuillez lire tous les avertissements de sécurité et les instructions. Si les avertissements et les instructions ne sont pas observés, cela peut entraîner une électrocution, un incendie et/ou des blessures graves.

Conservez tous les avertissements et les instructions pour référence ultérieure.

Le terme "outil mécanique" utilisé dans tous les avertissements se réfère aux outils mécaniques fonctionnant sur le secteur (avec un cordon d'alimentation) et aux outils mécaniques fonctionnant sur batterie (sans fil).

Sécurité de la zone de travail

- 1) **Gardez la zone de travail propre et bien aérée.**
Les endroits encombrés et sombres invitent les accidents.
- 2) **Ne faites pas fonctionner les outils mécaniques dans des atmosphères explosives, comme en présence de liquides inflammables, de gaz ou de poussière.**
Les outils mécaniques génèrent des étincelles qui peuvent enflammer la poussière ou les vapeurs.
- 3) **Gardez les enfants et les spectateurs éloignés lors du fonctionnement d'un outil mécanique.**
Les distractions peuvent faire perdre le contrôle.

Sécurité électrique

- 1) La fiche des outils mécanique doit correspondre aux prises secteur. Ne modifiez la fiche sous aucun prétexte. N'utilisez pas de fiche adaptatrice avec les outils mécaniques mis à la terre.

Des fiches non modifiées et des prises secteur correspondant réduisent les risques d'électrocution.

- 2) Evitez tout contact physique avec les surfaces mises à la terre telles que tuyaux, radiateurs, micro-ondes et réfrigérateurs. Il y a un risque d'électrocution supplémentaire si votre corps est mis à la terre.

- 3) N'exposez pas les outils mécaniques à la pluie ou à des conditions humides.

De l'eau pénétrant dans un outil mécanique augmente le risque d'électrocution.

- 4) Ne malmenez pas le cordon. N'utiliser jamais le cordon pour transporter, pour tirer ou pour débrancher l'outil mécanique. Gardez le cordon éloigné de la chaleur, de l'huile, d'objets aux bords coupants ou de pièces en mouvement.

Les cordons endommagés ou emmêlés augmentent le risque d'électrocution.

- 5) Lors du fonctionnement des outils mécaniques à l'extérieur, utilisez une rallonge adaptée à l'utilisation à l'extérieur.

L'utilisation d'un cordon adapté à l'utilisation à l'extérieur réduit les risques d'électrocution.

- 6) Si le fonctionnement d'un outil mécanique dans un endroit humide est inévitable, utilisez une alimentation électrique pour dispositif protégé contre le courant résiduel (RCD).

L'utilisation d'un RCD réduit les risques d'électrocution.

Sécurité personnelle

- 1) Restez alerte, regardez ce que vous faites et faites preuve de bon sens lorsque vous utilisez un outil mécanique. N'utilisez pas un outil mécanique alors que vous êtes fatigué ou sous les effets de drogue, d'alcool ou de médicaments.

Un moment d'inattention pendant le fonctionnement de l'outil mécanique peut entraîner des blessures graves.

- 2) Utilisez des équipements de protection personnelle. Portez toujours des protections pour vos yeux.

Des équipements de protection comme un masque antipoussière, des chaussures de sécurité non glissantes, un casque de protection ou des protection pour les oreilles utilisés dans les conditions appropriées réduisent les risques de blessures.

- 3) Evitez tout démarrages accidentel. Assurez-vous que l'interrupteur est en position d'arrêt avant de brancher l'outil à la source d'alimentation et/ou au bloc de batterie ou pour saisir l'outil ou pour le transporter.

Transporter les outils mécaniques avec le doigt sur l'interrupteur ou le branchement d'outils mécaniques dont l'interrupteur est sur la position de marche invitent les accidents.

- 4) Retirez toute clé d'ajustement ou clé de serrage avant de mettre l'outil mécanique en marche.

Une clé de serrage ou une clé d'ajustement laissée attachée à une pièce tournante de l'outil mécanique peut entraîner des blessures corporelles.

- 5) Ne vous mettez pas en déséquilibre. Gardez une bonne prise au sol et votre équilibre à tout moment.

Ceci permet un meilleur contrôle de l'outil mécanique dans des situations inattendues.

- 6) Habillez-vous correctement. Ne portez pas de vêtements lâches ou de bijoux. Gardez vos cheveux, vêtements et gants éloignés des pièces en mouvement.

Des vêtements lâches, des bijoux ou des cheveux longs peuvent se faire prendre dans les pièces en mouvement.

- 7) L'utilisation de ces dispositifs de ramassage de la poussière peut réduire les risques dus à la poussière.

L'utilisation d'un collecteur de poussière peut réduire les risques dus à la poussière.

Utilisation et soins de l'outil mécanique

- 1) Ne forcez pas l'outil mécanique. Utilisez l'outil mécanique correct pour votre application.

L'outil mécanique correct exécute mieux le travail dans de meilleures conditions de sécurité s'il est utilisé à l'allure pour laquelle il a été conçu.

- 2) N'utilisez pas l'outil mécanique si l'interrupteur ne le met pas en marche ou ne l'arrête pas.

Tout outil mécanique qui ne peut pas être contrôlé par son interrupteur est dangereux et doit être réparé.

- 3) Débranchez la fiche de la source d'alimentation et/ou le bloc de batterie de l'outil mécanique avant d'effectuer tout réglage, tout changement d'accessoire ou de ranger les outils mécaniques.

De telles mesures de sécurité préventives réduisent les risques de faire démarrer l'outil mécanique accidentellement.

- 4) Rangez les outils mécaniques inutilisés hors de la portée des enfants et ne laissez

personne qui n'est pas familiarisé avec l'outil mécanique ou ses instructions faire fonctionner l'outil mécanique.

Les outils mécaniques sont dangereux dans les mains des utilisateurs manquant d'entraînement.

- 5) **Entretenez bien les outils mécaniques. Vérifiez l'alignement ou l'emboîtement des pièces en mouvement, l'intégrité des pièces et toute autre condition pouvant affecter le fonctionnement de l'outil mécanique. S'il est endommagé, faites réparer l'outil mécanique avant de l'utiliser.**

De nombreux accidents sont provoqués par des outils mécaniques mal entretenus.

- 6) **Maintenez les outils de coupe affûtés et propres.**

Les outils de coupe bien entretenus avec des lames bien affûtées ont moins de chances de gripper et sont plus faciles à contrôler.

- 7) **Utilisez l'outil mécanique, les accessoires, les mèches, etc. conformément à ces instructions en tenant compte des conditions de travail et de la tâche à exécuter.**

L'utilisation de l'outil mécanique à des fins autres que celles pour lesquelles il a été conçu peut présenter une situation à risque.

Utilisation et soins de la batterie de l'outil

- 1) **Assurez-vous que l'interrupteur est dans la position d'arrêt avant d'insérer le bloc de batterie.**

L'insertion du bloc de batterie dans un outil mécanique dont l'interrupteur est sur la position de marche peut provoquer des accidents.

- 2) **N'effectuez la recharge qu'avec le chargeur spécifié par le fabricant.**

Un chargeur convenant à un bloc de batterie peut entraîner un risque d'incendie lorsqu'un autre bloc de batterie est utilisé.

- 3) **N'utilisez les outils mécaniques qu'avec les bloc de batterie spécialement conçus pour eux.**

L'utilisation de tout autre bloc de batterie peut entraîner un risque de blessure et d'incendie.

- 4) **Lorsqu'un bloc de batterie n'est pas utilisé, gardez-le éloigné d'objets métalliques comme agrafes, pièces de monnaie, clés, clous, vis ou tout autre petit objet métallique pouvant établir une connexion entre les deux bornes.**

Si les bornes de la batterie sont mis en court-circuit, cela peut entraîner des brûlures ou un incendie.

- 5) **Si elle est malmenée, du liquide peut s'échapper de la batterie. Évitez tout contact. Si un contact accidentel se produit, rincez à**

l'eau. Si du liquide entre en contact avec les yeux, consultez un médecin.

Le liquide éjecté de la batterie peut entraîner des irritations ou des brûlures.

Réparation

- 1) **Faites réparer votre outil mécanique par du personnel de réparation qualifié en n'utilisant que des pièces de rechange identiques.**

Ceci assure le maintien de la sécurité de l'outil mécanique.

III. INSTRUCTIONS DE SÉCURITÉ POUR TOUTES LES SCIES CIRCULAIRES

- 1) **DANGER: N'approchez pas les mains de la zone de sciage et de la lame de scie. Laissez votre deuxième main sur la poignée auxiliaire ou sur le carter du moteur.** Si vos deux mains tiennent la scie circulaire, elles ne risqueront pas d'être coupées par la lame de scie.
- 2) **Ne touchez pas le dessous de la pièce ouvragée.** Le protège-lame ne peut pas vous protéger de la lame en-dessous de la pièce ouvragée.
- 3) **Ajustez la profondeur de sciage de façon qu'elle corresponde à l'épaisseur de la pièce ouvragée.** Il faut que moins d'une dent entière des dents de la lame de scie soit visible au-dessous de la pièce ouvragée.
- 4) **Ne tenez jamais la pièce que vous coupez avec les mains ou entre les jambes. Placez la pièce ouvragée sur une base bien stable.** Il est essentiel de bien soutenir la pièce ouvragée pour réduire les risques d'exposition du corps, de blocage de la lame ou de perte du contrôle de la scie.
- 5) **Tenez l'outil mécanique par les surfaces de prise isolées lorsque vous effectuez des travaux lors desquels la scie circulaire risque d'entrer en contact avec des fils cachés ou avec son propre cordon.** Le contact avec un fil "sous tension" mettra aussi "sous tension" les parties métalliques exposées de l'outil mécanique, et l'opérateur risquera alors d'être électrocuté.
- 6) **Lors d'un sciage en planches, utilisez toujours un guide de sciage ou un bord droit comme guide.** Ceci permettra d'obtenir une meilleure précision de sciage et de réduire les risques de blocage de la lame de scie.

- 7) **Utilisez toujours des lames de scie de dimensions correctes et avec les trous d'arbre profilés correspondants (losange contre rond).** Les lames ne correspondant pas au système de montage de la scie circulaire tourneront excentriquement et provoqueront une perte de contrôle.
- 8) **N'utilisez jamais de rondelles ou de boulons de lame endommagés ou inadéquats.** Les rondelles et les boulons de lame ont été conçus spécialement pour cette scie circulaire pour assurer les performances de fonctionnement et la sécurité d'utilisation optimales.

IV. AUTRES INSTRUCTIONS DE SÉCURITÉ POUR TOUTES LES SCIES CIRCULAIRES

Causes et prévention par l'utilisateur d'un retour:

- Le retour est une réaction brusque à une lame de scie pincée, bloquée ou mal alignée, occasionnant un saut incontrôlé de la scie circulaire qui quitte soudainement la pièce ouvragée en direction de l'utilisateur.
- Lorsque la lame de scie est pincée ou bloquée par l'encoche qui se referme, la lame cale et la réaction du moteur projette rapidement l'outil en arrière vers l'opérateur.
- Si la lame se tord ou quitte l'alignement du sciage, les dents du bord arrière de la lame peuvent buter contre la surface supérieure du bois, faisant sortir la lame de l'encoche et projetant l'outil en arrière vers l'opérateur.

Le retour est la conséquence d'une mauvaise utilisation de l'outil et/ou de procédures ou de conditions d'utilisation inadéquates, et peut être évité en prenant les précautions suivantes.

- 1) **Tenez la scie circulaire fermement et positionnez vos bras de façon à pouvoir résister aux forces de retour de l'outil. Positionnez votre corps d'un côté ou de l'autre de la lame de scie, mais non dans le prolongement de la lame.**

Le retour est susceptible de faire sauter l'outil vers l'arrière, mais les forces de retour de l'outil peuvent être contrôlées par l'opérateur si les précautions adéquates sont prises.

- 2) **Lorsque la lame de scie se bloque, ou en cas d'interruption du sciage pour quelque raison que ce soit, relâchez le déclencheur et maintenez la scie circulaire dans la matière sans bouger jusqu'à ce que la lame soit**

tout à fait arrêtée. N'essayez jamais de retirer la scie circulaire de la pièce ouvragée ou de la tirer vers l'arrière alors que la lame est encore en mouvement, sinon un retour en arrière risquera de se produire.

Si la lame se bloque, recherchez la cause du blocage et prenez les dispositions nécessaires pour éliminer le blocage.

- 3) **Lorsque vous redémarrez la scie circulaire dans la pièce ouvragée, centrez la lame de scie dans l'encoche et vérifiez si les dents ne sont pas entrées dans la matière.**

Si la lame de scie se bloque, elle peut bondir hors de la pièce ouvragée ou effectuer un retour lors du redémarrage de la scie circulaire.

- 4) **Soutenez les panneaux de grande taille pour réduire les risques de pincement ou de retour de la lame de scie.**

Les grands panneaux ont tendance à fléchir sous leur propre poids. Des supports doivent être placés de chaque côté sous le panneau, près de la ligne de sciage et près du bord du panneau.

- 5) **N'utilisez pas de lames émoussées ou endommagées.**

Les lames non aiguisées ou mal fixées produisent une encoche étroite qui provoque un frottement excessif, un blocage de la lame et un retour en arrière.

- 6) **Les leviers de verrouillage de l'ajustement de la profondeur de la lame et du biseau doivent être serrés bien fermement avant de procéder au sciage.**

Si l'ajustement de la lame se modifie pendant le sciage, cela risque d'occasionner un blocage et un retour en arrière.

- 7) **Faites particulièrement attention pendant la réalisation d'"entailles de marquage" dans un mur existant ou dans d'autres zones masquées.**

La lame saillante risquerait de couper des objets, ce qui provoquerait un retour en arrière.

V. INSTRUCTIONS DE SÉCURITÉ POUR L'UTILISATION DE CETTE SCIE CIRCULAIRE

- 1) **Avant chaque utilisation, vérifiez le protège-lame inférieur. N'utilisez pas la scie circulaire si le protège-lame inférieur ne se déplace pas bien souplement et ne se ferme pas instantanément. N'attachez ou ne fixez jamais le protège-lame inférieur en position ouverte.**

Si vous laissez tomber accidentellement la scie circulaire, le protège-lame inférieur risque d'être tordu. Relevez le protège-lame inférieur à l'aide de la poignée rétractable et assurez-vous qu'il se déplace librement et n'entre pas en contact avec la lame ou tout autre composant dans tous les angles et à toutes les profondeurs de sciage.

- 2) **Vérifiez le fonctionnement du ressort du protège-lame inférieur. Si le protège-lame et le ressort ne fonctionnent pas correctement, vous devez les réparer avant d'utiliser l'outil.**

Le protège-lame inférieur pourra fonctionner avec une certaine lourdeur en raison de l'usure des composants, de dépôts collants ou de l'accumulation de débris.

- 3) **Le protège-lame inférieur ne doit être rétracté manuellement que pour des sciages spécialisés tels que des "sciages en plongée" et des "sciages composés". Relevez le protège-lame inférieur et rétractant la poignée et dès que la lame pénètre dans le matériau, le protège-lame inférieur doit être relâché.**

Pour tout autre sciage, le protège-lame inférieur devrait fonctionner automatiquement.

- 4) **Veillez toujours à ce que le protège-lame inférieur recouvre la lame avant de déposer la scie circulaire sur un établi ou sur le sol.** Une lame non protégée et libre peut faire reculer la scie circulaire et couper tout ce qui se trouve sur son passage. Tenez compte du temps que la lame met pour s'arrêter après avoir relâché l'interrupteur.

VI. CONSIGNES DE SECURITE GENERALES

- 1) **N'utilisez pas de roues abrasives.**
- 2) **Portez un masque antipoussière si les travaux produisent de la poussière.**
- 3) **Utilisez des lames de scie recommandées par le fabricant.**
- 4) **Mettez des protecteurs d'oreilles lorsque vous utilisez l'outil pendant de longues périodes.**
- 5) **Le risque de retour augmente à mesure que la batterie autonome se décharge.**
- 6) **Veillez à bien inspecter le matériel. Évitez de couper d'autres matières inadéquates.**
- 7) **Veillez à ne pas laisser tomber l'outil.**
- 8) **Ne balancez jamais l'outil.**
- 9) **Ne couvrez jamais les fentes de ventilation, et veillez à ce que celles-ci soient exemptes de saletés ou de corps étrangers.**

- 10) **Ne serrez jamais l'outil dans un étai. N'effectuez jamais de sciage en tenant l'outil sens dessus dessous dans un étai. Ceci est extrêmement dangereux et peut entraîner des accidents graves.**

- 11) **Ne portez jamais de gants en tricot.**

- 12) **Lors de l'utilisation de l'outil dans des endroits élevés, veillez à ce qu'il n'y ait personne en dessous.**

- 13) **Ne touchez pas la lame juste après l'utilisation. Elle peut alors être très chaude et risque de vous brûler la peau.**

- 14) **Ne touchez pas la pièce ouvragée juste après l'avoir coupée. La pièce coupée peut être très chaude.**


- 15) **N'utilisez pas d'huile pour sciage. L'utilisation d'huile pour sciage risque de causer un incendie.**

- 16) **Ne coupez pas de pièces couvertes ou souillées de gaz, d'huile, de solvants, de diluants, etc. Ces produits risqueraient d'endommager le protège-lame transparent.**

- 17) **Ne déposez pas le protège-lame transparent et le protège-lame inférieur. Si le protège-lame transparent et le protège-lame inférieur sont endommagés ou manquants, rendez l'outil à un centre de service agréé pour le remplacer.**

- 18) **Ne faites pas démarrer la rotation de la lame de scie lorsqu'elle est en contact avec la pièce ouvragée. Attendez que la lame de scie tourne à la vitesse maximale avant de commencer à couper.**

Symbole

| Symbole | Signification |
|---|-------------------------------------|
| V | Volts |
|  | Courant direct |
| n_0 | Vitesse sans charge |
| $\dots \text{ min}^{-1}$ | Rotations ou alternances par minute |
| A | Ampères |

⚠ AVERTISSEMENT

- N'utilisez que la batterie autonome Panasonic conçue pour l'utilisation avec cet outil rechargeable.
- Ne mettez pas la batterie autonome au rebut dans un feu ou ne l'exposez pas à une chaleur excessive.
- N'enfoncez pas de clous ou autres dans la batterie autonome, ne la soumettez pas à des chocs, ne la démontez pas ou n'essayez pas de la modifier.
- Ne laissez pas d'objets métalliques entrer en contact avec les bornes de la batterie autonome.
- Ne transportez pas ou ne rangez pas la batterie autonome dans un récipient contenant des clous ou tout autre objet métallique.
- Ne chargez pas la batterie autonome dans un endroit où la température est élevée comme à proximité d'un feu ou à la lumière directe du soleil. Sinon la batterie peut surchauffer, prendre feu ou exploser.
- N'utilisez que le chargeur dédié pour charger la batterie autonome. Sinon, la batterie peut fuir, surchauffer ou exploser.
- Après avoir retiré la batterie autonome de l'outil ou du chargeur, remettez toujours le couvercle de la batterie autonome en place. Sinon, les contacts de la batterie peuvent se mettre en court-circuit, entraînant le risque d'un incendie.

⚠ AVERTISSEMENT!

La poussière résultant de ponçage, sciage, meulage, perçage à haute pression et de toute autre activité de construction, contient des produits chimiques réputés être cause de cancer, de malformations congénitales ou autres problèmes reproductifs. Ces produits chimiques sont, par exemple :

- Le plomb contenu dans les peintures à base de plomb
- La silice cristalline, contenue dans les briques, le ciment et autres produits de maçonnerie; et
- L'arsenic et le chrome provenant du bois traité chimiquement.

Pour réduire l'exposition à ces produits chimiques, il faut travailler dans un lieu bien aéré et porter un équipement de sécurité approprié tel que certains masques anti-poussière conçus spécialement pour filtrer les particules microscopiques.

VII. CHARGEUR DE BATTERIE ET BATTERIE AUTONOME

Instructions de sécurité importantes

- 1) **CONSERVEZ CES INSTRUCTIONS** – La présente notice contient des instructions de sécurité et d'utilisation importantes pour le chargeur de batterie EY0L80.
- 2) Avant d'utiliser le chargeur de batterie, lisez toutes les instructions et les marques d'avertissement figurant sur le chargeur de batterie, la batterie autonome et le produit utilisant la batterie autonome.
- 3) **MISE EN GARDE** – Pour réduire le risque de blessures, chargez la batterie autonome Panasonic seulement comme indiqué à la dernière page.
Les autres types de batteries risquent d'exploser et de causer des blessures corporelles et des dommages matériels.
- 4) N'exposez pas le chargeur à la pluie ou à la neige.
- 5) Pour réduire les risques de dommages à la fiche et au cordon secteur, débranchez le chargeur en tirant la fiche et non le cordon.
- 6) Veillez à acheminer le cordon de façon que personne ne risque de le piétiner, de trébucher dessus, d'endommager ou d'étirer le cordon.
- 7) N'utilisez une rallonge qu'en cas de nécessité absolue.
Si vous utilisez une rallonge inadéquate, vous risquez de causer un incendie ou une électrocution. Si vous devez absolument utiliser une rallonge, veillez à respecter les points suivants:
 - a. Le nombre, la taille et la forme des broches de la fiche de la rallonge doivent être identiques à ceux de la fiche du chargeur de batterie.
 - b. La rallonge doit avoir des conducteurs en bon état et être elle-même en bon état d'utilisation.
 - c. La taille des conducteurs doit être suffisante pour les normes d'intensité en ampères du chargeur, comme indiqué ci-dessous.

| TAILLE AWG MINIMUM RECOMMANDÉE DES RALLONGES POUR CHARGEURS DE BATTERIES | | | |
|--|------------------|---------------------------|------------|
| Norme d'entrée Ampères CA | | Taille AWG du cordon | |
| Egal ou supérieur à | Mais inférieur à | Longueur du cordon, pieds | |
| | | 25 | 50 100 150 |
| 0 | 2 | 18 | 18 18 16 |

- 8) N'utilisez pas un chargeur dont la fiche ou le cordon est endommagé – remplacez-les immédiatement.
- 9) N'utilisez pas le chargeur s'il a reçu un choc violent, s'il a subi une chute ou s'il a été endommagé de quelque manière que ce soit; confiez-le à un technicien qualifié.
- 10) Ne démontez pas le chargeur; si des travaux d'entretien ou de réparation sont nécessaires, confiez-le à un technicien qualifié. Si vous le remontez incorrectement, vous risquez de causer une électrocution ou un incendie.
- 11) Pour réduire le risque d'électrocution, débranchez le chargeur de la prise de courant avant d'entreprendre des travaux d'entretien ou de nettoyage.
- 12) Le chargeur et la batterie autonome ont été conçus spécifiquement pour fonctionner ensemble.
Ne tentez pas de charger un autre outil à batterie ou une autre batterie autonome avec ce chargeur.
- 13) Ne tentez pas de charger la batterie autonome avec un autre chargeur.
- 14) Ne tentez pas de démonter le logement de la batterie autonome.
- 15) Ne rangez pas l'outil ou la batterie autonome à des endroits où la température est susceptible d'atteindre ou de dépasser 50°C (122°F) (par exemple dans une remise d'outils électriques, ou dans une voiture en été), car ceci risquerait d'abîmer la batterie stockée.
- 16) Ne chargez pas la batterie autonome lorsque la température est INFÉRIEURE À 0°C (32°F) ou SUPÉRIEURE À 40°C (104°F). Ceci est très important pour conserver le bon état de fonctionnement de la batterie autonome.
- 17) N'incinerez pas la batterie autonome. Elle risquerait d'exploser dans les flammes.
- 18) Évitez toute utilisation dans un environnement dangereux. N'utilisez pas le chargeur à un endroit humide ou mouillé.
- 19) Le chargeur a été conçu pour fonctionner uniquement sur des prises secteur domestiques standard. Ne l'utilisez pas sous des tensions différentes!

20) Ne manipulez pas brutalement le cordon secteur. Ne transportez jamais le chargeur en le tenant par le cordon, ou ne le tirez pas brutalement pour le débrancher de la prise. Gardez le cordon à l'abri de la chaleur, de l'huile et de bords coupants.

21) Chargez la batterie autonome à un endroit bien ventilé; ne couvrez pas le chargeur et la batterie autonome avec un chiffon, etc., pendant la charge.

22) Si vous utilisez un accessoire non recommandé, un incendie, une électrocution, des blessures risqueraient de s'ensuire.

23) Ne court-circuitez pas la batterie autonome. Un court-circuit de la batterie risquerait de faire passer un courant de forte intensité, et une surchauffe, un incendie ou des blessures risqueraient de s'ensuire.

24) REMARQUE: Si le cordon secteur de cet appareil est endommagé, il doit être remplacé exclusivement dans un atelier agréé par le fabricant, car ces travaux exigent l'utilisation d'outils spéciaux.

25) POUR RÉDUIRE LES RISQUES D'ÉLECTROCUTION, CET APPAREIL EST ÉQUIPÉ D'UNE FICHE POLARISÉE (UNE LAME EST PLUS LARGE QUE L'AUTRE).

Cette fiche ne pourra être insérée que d'une seule façon dans une prise polarisée. Si la fiche ne peut pas être insérée à fond dans la prise, insérez la fiche sens dessus dessous. Si vous ne parvenez toujours pas à insérer la fiche, adressez-vous à un électricien qualifié pour installer une prise de courant adéquate. Ne modifiez la fiche en aucune façon.

VIII. MONTAGE

Fixation ou retrait de la batterie autonome

MISE EN GARDE:

Avant d'insérer la batterie autonome, assurez-vous que l'interrupteur d'alimentation de l'outil fonctionne correctement et remettez-le sur la position d'arrêt après l'avoir relâché.

1. Pour raccorder la batterie autonome (Voir la fig. 2)

Alignez les marques d'alignement et fixez la batterie autonome.

- Faites glisser la batterie autonome jusqu'à ce qu'elle se verrouille en position.

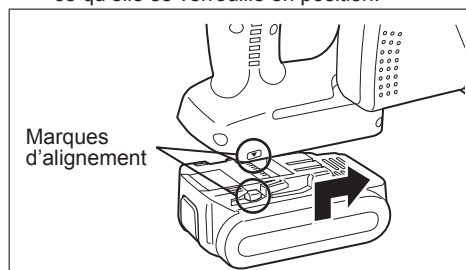


Fig. 2

2. Pour retirer la batterie autonome (Voir la fig. 3)
Appuyez sur le bouton depuis l'avant pour libérer la batterie autonome.

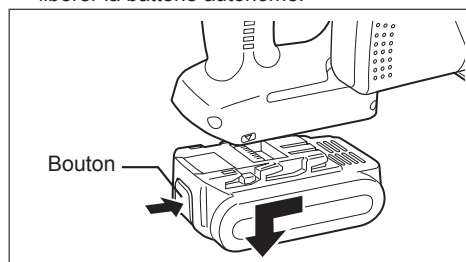


Fig. 3

IX. UTILISATION

Avant d'utiliser l'outil

Cet outil a été conçu pour couper des métaux ferreux non trempés, des métaux non ferreux, du bois et du plastique. Dans la section "Accessoires" figure la liste des lames de scie à utiliser pour les applications adéquates de cet outil. Pour réduire les risques de blessures, vous devez prendre les précautions suivantes:

- Ne coupez pas des pièces empilées. Coupez-les l'une après l'autre.
- Ne coupez pas de pièces en acier trempé.
- Coupez les pièces avec le bord le plus large du sabot sur le côté pincé de la pièce.
- Ne touchez pas la lame de scie, la pièce ouvragée ou les ébarbures de sciage avec les mains nues tout de suite après avoir effectué le sciage; elles peuvent être très chaudes et risquent de vous brûler la peau.

Chaque fois que vous utilisez l'outil, vous devez vous assurer qu'il est en bon état de fonctionnement.

Se servir de la liste de contrôle indiquée ci-après pour faire cette vérification:

1. La lame de scie est-elle montée dans le bon sens?
La flèche imprimée sur la lame de scie doit être dirigée dans le même sens que la flèche du protecteur supérieur de lame de scie.
2. La lame de scie est-elle fixée correctement?
Vérifier que le boulon d'assemblage à six pans est bien bloqué. (Voir la fig. 6)
3. Un examen visuel révèle-t-il que la lame de scie est en bon état?
Remplacer immédiatement la lame de scie si des fissures sont détectées sur la lame ou si des dents sont cassées.
4. Le protecteur mobile inférieur de lame se ferme-t-il correctement?

⚠ AVERTISSEMENT

Afin d'éviter toute blessure, n'utilisez pas l'outil si le protège-lame inférieur ne se referme pas rapidement par dessus la lame.

5. Le protège-lame transparent est-il bien installé?
6. La batterie autonome est-elle chargée et bien insérée dans l'outil?
7. L'écrou d'ajustement de la profondeur de sciage est-il bien serré?
8. La pièce ouvragée est-elle bien pincée sur le tréteau de la scie ou sur l'établi?

9. La boîte à poussière ou le couvercle avant sont-ils bloqués par de la poussière?

Désengagez le bouton de verrouillage du couvercle avant et retirez toute la poussière qui s'est accumulée à l'intérieur du couvercle. Si le couvercle est bloqué, utilisez un objet long comme un tournevis manuel pour le débloquer. Ensuite, refermez le couvercle avant. (Voir la fig. 4)

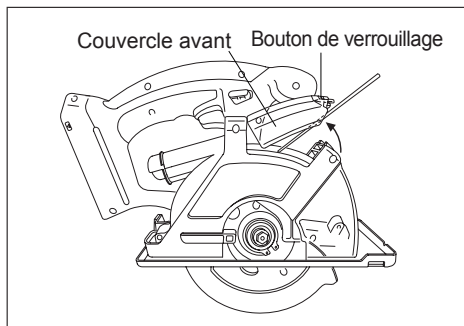


Fig. 4

S'il y a de la poussière dans la boîte à poussière, désengagez le bouton de verrouillage de la boîte à poussière, détachez la boîte à poussière et retirez la poussière. Ensuite, réinstallez la boîte à poussière. (Voir la fig. 5)

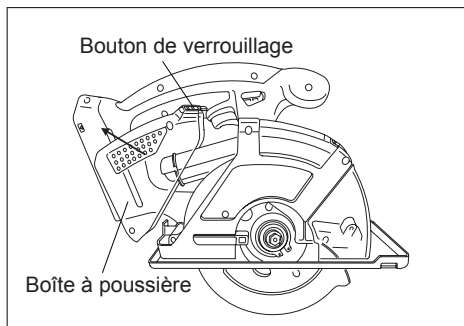


Fig. 5

Comment remonter la lame de scie

Procéder suivant les étapes indiquées ci-dessous:

1. Retirer la batterie autonome de l'outil.
2. Retirer tout les débris de sciage de la zone de la lame.
3. Utiliser la poignée rétractable pour rétracter (ouvrir) le protège-lame inférieur.
4. Remonter la lame de scie en procédant de la façon illustrée sur la figure ci-dessus. (Voir la fig. 6)

Veiller à ce que les deux flèches de sens de rotation de la lame et la flèche de sens de rotation du protecteur supérieur de lame de scie sont orientées dans la même direction.

5. Remonter la rondelle extérieure.
6. Remonter le boulon hexagonal.
7. Maintenir le bouton de verrouillage de broche vers le bas. Ceci empêche la lame de scie de tourner.
8. Serrer le boulon hexagonal avec la clé hexagonale fournie avec la scie.

REMARQUE:

La clé hexagonale doit être rangée dans la fente de rangement du boîtier de scie circulaire à couper les métaux si elle n'est pas utilisée.

⚠ AVERTISSEMENT

Si vous ne respectez pas ces instructions, vous risquez de vous blesser gravement.

Comment retirer la lame de scie

MISE EN GARDE:

Ne pas oublier que la lame de scie est bouillante après une opération de coupe. Il faut donc laisser refroidir suffisamment la lame de scie avant de la séparer de la scie.

Procéder suivant les étapes indiquées ci-dessous:

1. Retirez la batterie autonome de l'outil.
2. Maintenez le bouton de verrouillage de broche vers le bas. Ceci empêche la lame de scie de tourner.
3. Se servir de la clé hexagonale fournie pour desserrer le boulon hexagonal.

REMARQUE:

Gardez la clé hexagonale dans sa fente de rangement sur le corps de la scie circulaire lorsque vous ne l'utilisez pas.

4. Retirez le boulon hexagonal et la rondelle extérieure.
5. Utilisez la poignée rétractable pour rétracter (ouvrir) le protège-lame inférieur.
6. Retirez soigneusement la lame.
7. Nettoyez l'outil si nécessaire.

MISE EN GARDE:

Veiller à ne pas se blesser les mains sur la lame au cours de cette opération.

- Lorsqu'une lame de scie est mise au rebut, l'envelopper d'une épaisse feuille de carton. Ceci permet d'éviter que d'autres personnes se blessent avec la lame jetée.

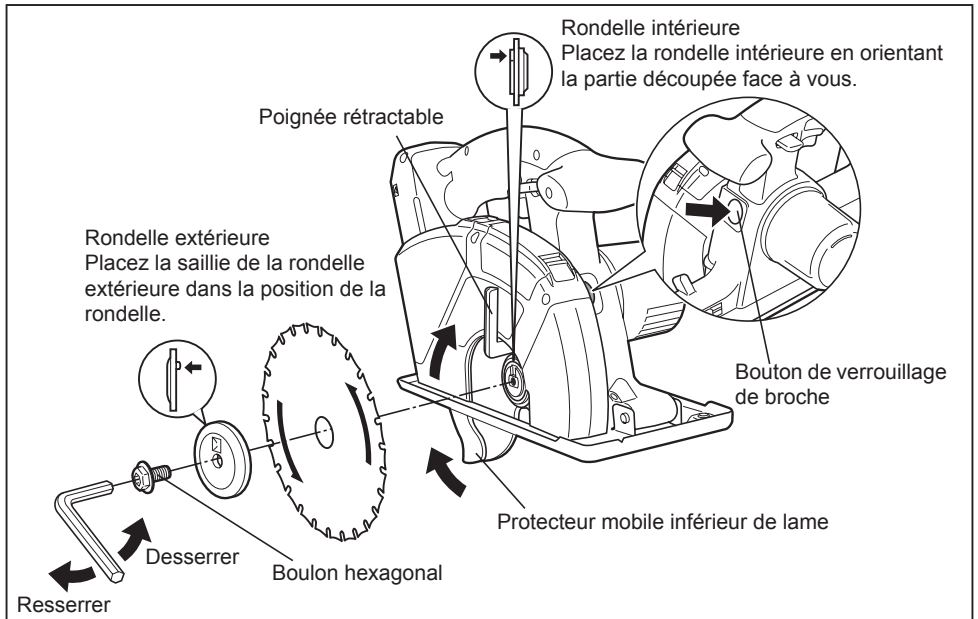


Fig. 6

Utilisation de l'outil

MISE EN GARDE:

Afin de réduire les risques de blessure, lisez les Instructions de sécurité au début de ce manuel avant d'utiliser l'outil.

⚠ AVERTISSEMENT

Afin de réduire les risques de blessure, portez des lunettes de sécurité ou des lunettes avec des écrans latéraux pendant l'utilisation de la scie circulaire. De plus, portez un masque antipoussière lors du sciage de matériaux produisant un excès de particules. N'utilisez pas la scie circulaire sous la pluie. Cela peut entraîner des décharges électriques ou la scie circulaire peut émettre de la fumée.

Ne sciez pas de matériaux recouverts de diluant pour peinture, d'essence, d'huile ou de toute autre accumulation. Cela peut fendre la boîte à poussière, entraînant des blessures.

Suivez ces étapes:

Maintenez l'outil avec les deux mains. (Voir la fig. 8) N'essayez pas de retirer le matériau scié alors que la lame tourne.

1. Alignez la ligne de mire du sabot sur votre ligne de sciage. (Voir la fig. 7)

Alignement sur la ligne de sciage

- Placez l'encoche du sabot au-dessus de la ligne de sciage, alignez les coins supérieur et inférieur de l'ouverture en forme de diamant sur la ligne.

La position de sciage pouvant être différente selon la lame de scie utilisée, faites un essai de sciage préalablement.

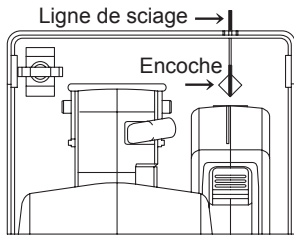


Fig. 7

2. Abaissez le levier de verrouillage d'interrupteur, puis pressez l'interrupteur d'alimentation pour démarrer le moteur, et enfin relâchez le levier de verrouillage d'interrupteur.

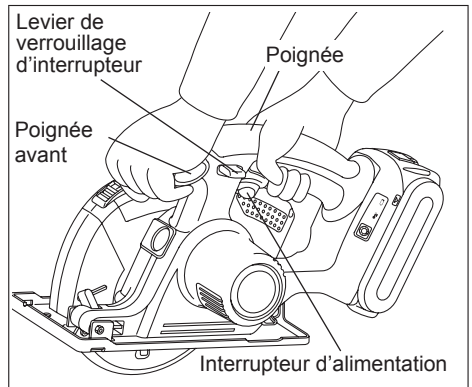


Fig. 8

MISE EN GARDE:

- Vérifiez que le levier du verrou du commutateur marche.

Si le commutateur d'alimentation peut être activé sans presser le levier du verrou du commutateur, arrêtez d'utiliser l'appareil. Portez l'outil à un centre de réparation autorisé.

- Tenez toujours la poignée dans une main et le poignée avant dans l'autre. (Voir la fig. 8). Maintenez une pression ferme et pressez complètement le commutateur.
 - La lame ne doit pas toucher la matière à couper avant de démarrer le moteur. Attendez que la lame atteigne sa vitesse maximale avant de commencer le découpage.
 - Cet outil ne possède aucun dispositif pour verrouiller l'interrupteur d'alimentation sur la position "ON", et vous ne devez absolument pas tenter de le fixer sur la position "ON".
3. Commencez à couper lorsque la lame tourne à la vitesse maximum.
 4. Pendant le sciage, gardez votre ligne de sciage droite. Déplacez l'outil vers l'avant à une vitesse constante tout en regardant la pointe de la lame par le protège-lame transparent.

⚠ AVERTISSEMENT

- Afin de prévenir un retour dangereux, gardez le sabot de l'outil à plat sur la surface du matériaux en cours de sciage.
- Ne forcez jamais l'outil. Utilisez une pression légère et continue.

5. Si le moteur commence à paraître trop chaud, arrêtez le sciage. Laissez l'outil refroidir avant de continuer à travailler.
6. Retirer la batterie autonome après l'utilisation et avant de ranger l'outil est toujours une précaution sûre.

Ajustement de la profondeur de sciage

- Retirez la batterie autonome.
- Desserrez l'écrou d'ajustement de la profondeur et ajustez la profondeur de sciage à l'aide des graduations du protège-lame inférieur pour calibrer la profondeur. Lorsque l'ajustement de la profondeur est terminé, resserrez bien l'écrou d'ajustement de la profondeur.
- * Lorsque le matériau en bois est d'une épaisseur de 10 mm (3/8") ou moins, ajustez la profondeur de sciage de façon à ce que la lame dépasse d'environ 5 mm (3/16") du fond du matériau.

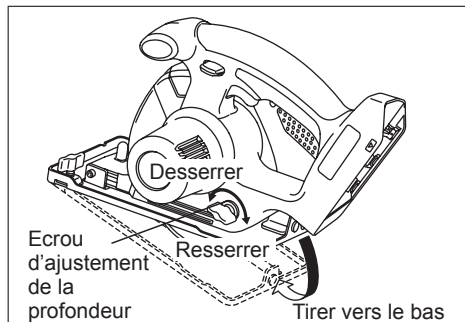


Fig. 9

Guide de sciage (EY3500B7727)

(Disponible comme accessoire, non inclus)

La barrière de refente est pratique pour les coupes de refentes et les coupes répétées d'une largeur uniforme.

- Retirez la batterie autonome.
- Insérez le guide de sciage et ajustez la largeur de sciage. (Voir la fig. 10)
- Serrez bien fermement la vis pour fixer le guide de sciage.

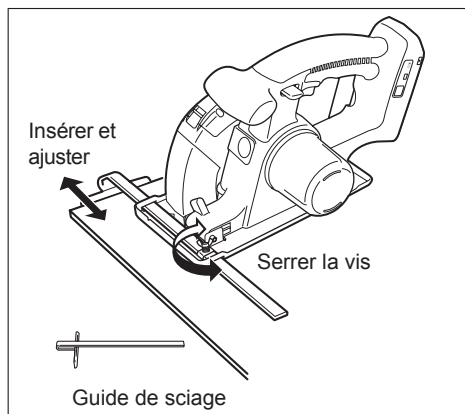


Fig. 10

Ramassage de la poussière

⚠ AVERTISSEMENT

- * Avant de scier des matériaux en métal, videz toujours la boîte à poussière, ouvrez le couvercle avant et retirez la poussière.
- L'utilisation de la scie circulaire pour couper des matériaux en métal alors que la boîte à poussière contient des matériaux inflammables peut entraîner un incendie.
- * Lors du sciage de matériaux en métal, utilisez toujours la scie circulaire avec la boîte à poussière fixée.
- Des étincelles et des copeaux métalliques volants peuvent entraîner des blessures.
- * Lors du sciage de matériaux en métal, ne fixez pas l'aspirateur. Les étincelles et les copeaux de métal chaud peuvent entraîner l'incendie de l'aspirateur. Faites fonctionner l'aspirateur conformément à ses instructions.

(1) Ramassez la poussière dans la boîte à poussière.

- * Videz la boîte à poussière lorsqu'elle est remplie de poussière.
- * Videz la boîte à poussière avant de ranger la scie circulaire.
- * Capacité de la boîte à poussière
 - Lors du sciage d'une conduite électrique d'un diamètre de 25 mm (1"), environ 130 sciages
 - Lors du sciage de bois d'œuvre de 45 mm (1-25/32") x 45 mm (1-25/32"), environ 150 sciages

REMARQUE:

Certains matériaux peuvent entraîner l'accumulation de poussière à l'intérieur du couvercle avant lors du sciage de ces matériaux.

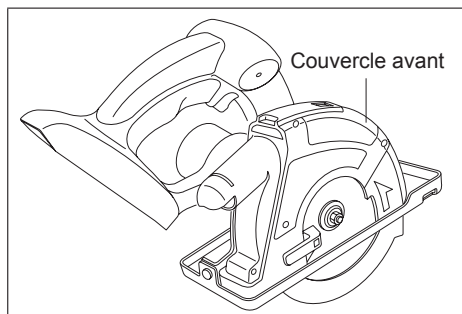


Fig. 11

(2) Utilisez avec un aspirateur pour ramasser la poussière.

- * Connecter la scie circulaire à la durit à l'aide de l'adaptateur de durit de l'aspirateur EY9X012E (vendus séparément).

Diamètre intérieur de la durit compatible: 25 mm (1") à 38 mm (1-2/1")

- * Faites fonctionner l'aspirateur en observant ses instructions.

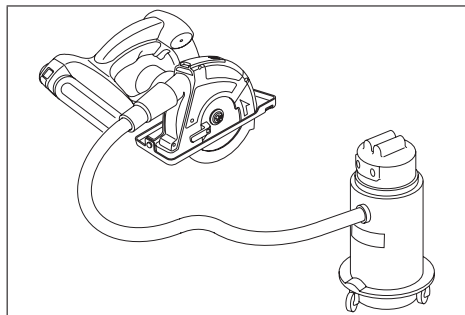
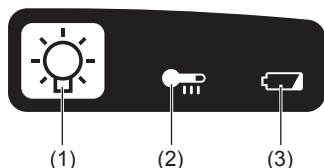


Fig. 12

REMARQUE:

Lorsque la scie circulaire présente des difficultés à éjecter ou à ramasser la poussière, la sortie de la poussière peut être bloquée par la poussière. Ouvrez le couvercle avant et retirez toute la poussière.

Panneau de commande



(1) Lumière DEL

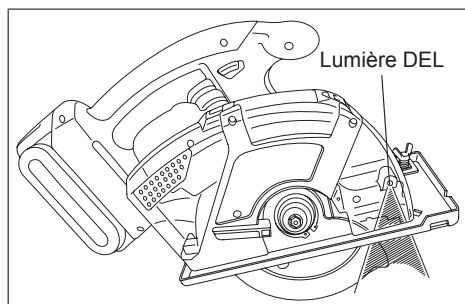



Fig. 13

Avant d'utiliser la lumière DEL, tirez toujours une fois l'interrupteur d'alimentation.

Appuyez sur le bouton  d'allumage de la lumière DEL.

La lumière éclaire avec un courant de très faible intensité qui n'affecte pas négativement la performance du tournevis ou la capacité de la batterie pendant son utilisation.

MISE EN GARDE:

- La lumière DEL incorporée est conçue pour éclairer temporairement la petite zone de travail.
- Ne l'utilisez pas comme remplacement d'une torche normale, elle n'est pas assez lumineuse.
- L'éclairage DEL s'éteint après que l'outil n'ait pas été utilisé pendant 5 minutes.

Mise en garde: NE REGARDEZ PAS DIRECTEMENT LE FAISCEAU.

L'utilisation de commandes ou de réglages ou l'exécution de procédures autres que ceux spécifiés dans ce manuel peut entraîner l'exposition à de dangereuses radiations.

(2) Témoin d'avertissement de surchauffe



Arrêt
(fonctionnement normal)



Clignotant: Surchauffe
Indique que le fonctionnement a été arrêté à la suite d'une surchauffe de la batterie.

La caractéristique de protection contre la surchauffe arrête le fonctionnement de l'outil afin de protéger la batterie autonome dans le cas d'une surchauffe. Le témoin d'avertissement de surchauffe clignote sur le panneau de commande lorsque cette fonction est active.

- Si la caractéristique de protection contre la surchauffe s'active, laissez l'outil se refroidir complètement (pendant au moins 30 minutes). L'outil est prêt à être utilisé lorsque le témoin d'avertissement de surchauffe s'éteint.
- Evitez d'utiliser l'outil d'une façon entraînant la caractéristique de protection contre la surchauffe de s'activer souvent.

(3) Témoin d'avertissement de batterie basse



Arrêt
(fonctionnement normal)



Clignotant
(Pas de charge)
Caractéristique de protection de la batterie active.

Une décharge excessive (complète) des batteries aux ions de lithium raccourcit notablement leur durée de service. L'outil comprend une caractéristique de protection de la batterie conçue pour empêcher la décharge excessive de la batterie autonome.

- La caractéristique de protection de la batterie

s'active automatiquement avant que la batterie ne perde sa charge, entraînant le clignotement du témoin d'avertissement de batterie basse.

- Dès que vous remarquez le clignotement du témoin d'avertissement de batterie basse, rechargez immédiatement la batterie autonome.

Comment faire un usage approprié de la scie (renseignements supplémentaires)

⚠ AVERTISSEMENT

Pour éviter de se blesser gravement:

- Il est important d'utiliser un dispositif adéquat pour tenir bien en place la pièce ouvragée, et de tenir fermement la scie circulaire à couper les métaux avec les deux mains pour éviter d'en perdre le contrôle et de se blesser.
- La figure 14 montre la position de sciage correcte.
- Noter que les mains sont éloignées du secteur de coupe.
- Veillez à ce qu'il n'y ait personne à proximité de la zone de travail et en-dessous de la pièce ouvragée.
- Lorsque vous effectuez la coupe, ne tentez pas de tenir la pièce ouvragée avec la main.

Sciage de feuilles de grande taille:

Soutenez les feuilles de grande taille. Veillez à ajuster la profondeur du sciage afin de ne couper qu'en travers de la pièce ouvragée et non à travers les supports. (Voir la fig. 15)

Les feuilles de grande taille fléchissent ou plient si elles ne sont pas correctement supportées. Si vous tentez d'effectuer la coupe sans mettre la pièce ouvragée bien à niveau et sans la soutenir correctement, la lame de scie aura tendance à se bloquer, ce qui causera un retour. (Voir la fig. 16)

- Ne supportez pas la pièce ouvragée loin de la ligne de sciage.

Coupe de pièces fines ou en tôle ondulée;

Coupez les pièces fines ou en tôle ondulée à au moins 25 mm (1") du bord de la pièce ouvragée pour éviter de vous blesser ou d'endommager l'outil avec les petites ébarbures métalliques tirées dans le protège-lame supérieur.

- Utiliser systématiquement des lames de scie parfaitement affûtées. En effet, les lames de scie propres et bien affûtées limitent au maximum les risques de blocage et de chocs de retour de lame.

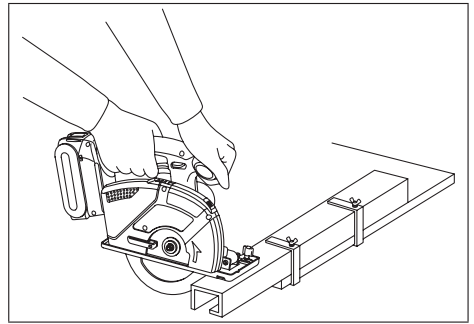


Fig. 14

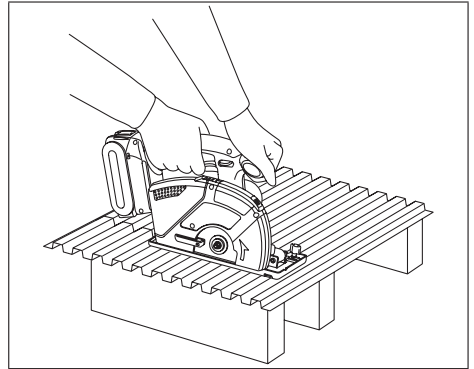


Fig. 15

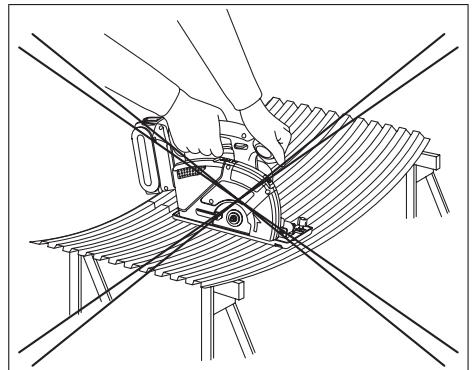


Fig. 16

⚠AVERTISSEMENT

Pour éviter de vous blesser gravement:

- Lorsque vous effectuez un sciage incomplet ou que vous interrompez le sciage, que la lame de scie est bloquée ou que la scie circulaire à couper les métaux cale, relâchez immédiatement l'interrupteur d'alimentation et tenez la scie circulaire sans bouger dans la pièce ouvragée jusqu'à ce que la lame de scie arrête complètement de tourner.
- Pour éviter les chocs de retour de lame, ne jamais essayer de retirer la lame de scie de la pièce à couper ni ramener la lame en arrière pendant qu'elle tourne. S'assurer que la lame de scie est complètement arrêtée et retirer ensuite la scie circulaire à couper les métaux de la fente de coupe.
- Pour reprendre le sciage, faites démarrer la scie circulaire, laissez la lame atteindre sa pleine vitesse, entrez de nouveau lentement dans la ligne de sciage et reprenez le sciage.

1. Placez la partie la plus large du sabot sur la partie de la pièce ouvragée qui est solidement soutenue (voir la fig. 17), et jamais sur la section qui s'affaissera à la fin du sciage (voir la fig. 18). Pour éviter tout risque de contrôle de l'outil, saisissez fermement la scie. Une façon désinvolte de procéder peut se traduire par de graves accidents corporels.

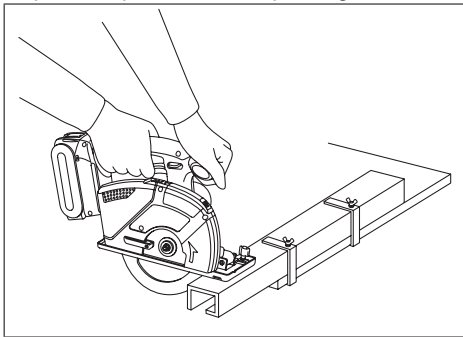


Fig. 17

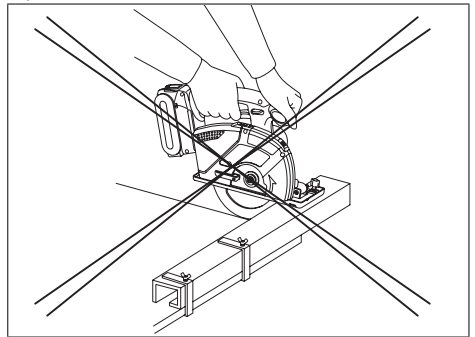


Fig. 18

2. S'assurer que la lame de scie s'arrête complètement.
Bien que votre outil soit équipé d'un frein, avant de poser la scie circulaire, assurez-vous que la lame se soit complètement arrêtée et que le protège-lame inférieur s'est refermé.
3. Ne pas se servir de la scie circulaire à couper les métaux lorsque quelque chose semble anormal. Séparer immédiatement la batterie autonome de la scie.
Si le corps de l'outil devient brûlant ou s'il ne fonctionne pas correctement, retirez la batterie autonome et cessez l'utilisation. Faites-la vérifier par un centre de service agréé.

⚠AVERTISSEMENT

Afin de prévenir les risques de blessures graves ou d'incendie, n'essayez pas de réparer l'outil vous-même. Ne démontez ou ne modifiez jamais le corps de l'outil. Il ne contient aucune pièce pouvant être réparée par l'utilisateur.

4. AUCUNE PARTIE DU CORPS NE DOIT VENIR DIRECTEMENT EN CONTACT AVEC LA SCIE À COUPER LES MÉTAUX.
Lorsqu'une coupe est terminée, prendre toutes les précautions nécessaires pour que la scie ne frotte pas contre la jambe ou le flanc.
Le protège-lame inférieur étant rétractable, il peut se prendre dans vos vêtements et exposer la lame. Gardez les vêtements éloignés de l'outil. Faites attention aux sections de la lame exposées qui existent dans les zones du protège-lame supérieur et inférieur.

⚠AVERTISSEMENT

Étant donné que la coupe d'une pièce métallique provoque des étincelles, il convient de:

- Toujours porter des lunettes de sûreté
 - N'utilisez pas l'outil à proximité de toute matière inflammable ou dans une zone où des matières inflammables sont utilisées. Un incendie ou des brûlures peuvent s'ensuivre.
5. N'engagez jamais le verrou de la broche pendant que la lame tourne ou n'essayez pas d'arrêter l'outil. Ne mettez jamais l'interrupteur d'alimentation sur la position de marche lorsque le verrou de la broche est engagé. Cela provoquera des dégâts sérieux de votre outil.

[Batterie]

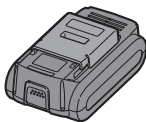
Pour une utilisation correcte de la batterie autonome

Batterie autonome Li-ion (EY9L40)

- Pour une longévité optimale de la batterie, rangez la batterie autonome Li-ion sans la charger après l'avoir utilisée.
- Lors de la charge de la batterie autonome, assurez-vous que les bornes du chargeur de batterie sont libres de tout corps étranger comme de la poussière et de l'eau, etc. Nettoyez les bornes avant de charger la batterie autonome si des corps étrangers se trouvent sur les bornes.

La durée de vie des bornes de la batterie autonome peut être affectée par des corps étrangers comme de la poussière et de l'eau, etc. pendant le fonctionnement.

- Lorsque vous n'utilisez pas la batterie autonome, éloignez-la d'autres objets métalliques tels que : trombones, pièces de monnaie, clés, clous, vis et autres petits objets métalliques susceptibles de connecter les bornes entre elles. Si vous court-circuituez les bornes de la batterie, vous risquez de causer des étincelles, de vous brûler ou de provoquer un incendie.
- Lors de l'utilisation de la batterie autonome, assurez-vous de la bonne ventilation du lieu de travail.
- Lorsque la batterie autonome est retirée du corps de l'outil, remplacez immédiatement le couvercle de la batterie autonome afin d'empêcher la poussière ou la crasse de contaminer les bornes de la batterie et de provoquer un court-circuit.



Longévité des batteries autonomes

Les batteries rechargeables ont une longévité limitée. Si le temps de fonctionnement devient très court après la recharge, remplacez la batterie autonome par une neuve.

Recyclage de la batterie autonome

ATTENTION:

Pour une batterie autonome Li-ion EY9L40

La batterie Li-ion que vous vous êtes procurée est recyclable. Pour des renseignements sur le recyclage de la batterie, veuillez composer le 1-800-8-BATTERY.



[Chargeur de batterie] Recharge

Précautions à prendre pour la batterie autonome Li-ion

- Si la température de la batterie autonome descend en dessous de -10°C (14°F) environ, la charge s'arrête automatiquement afin de prévenir la dégradation de la batterie.

Mises en garde communes pour la batterie autonome Li-ion/Ni-MH/Ni-Cd

- Le niveau de température ambiante moyenne se situe entre 0°C (32°F) et 40°C (104°F). Si la batterie autonome est utilisée alors que sa température est inférieure à 0°C (32°F), l'outil pourrait ne pas fonctionner correctement.
- Lorsqu'une batterie autonome froide (en-dessous de 0°C (32°F)) doit être rechargée dans une pièce chaude, laissez la batterie autonome dans la pièce pendant une heure au moins et rechargez-la quand elle a atteint la température ambiante.
- Laissez refroidir le chargeur quand vous rechargez plus de deux batteries autonomes à la suite.
- Ne mettez pas vos doigts dans les trous des connecteurs lorsque vous prenez les chargeurs ou à n'importe quelle occasion.

MISE EN GARDE:

Pour éviter les risques d'incendie ou d'endommagement du chargeur de batterie.

- N'utilisez pas de source d'alimentation provenant d'un générateur de moteur.
- Ne bouchez pas les trous d'aération du chargeur et de la batterie autonome.
- Débranchez le chargeur lorsque vous ne l'utilisez pas.

Batterie autonome Li-ion

REMARQUE:

Votre batterie autonome n'est pas complètement chargée au moment de l'achat. Veuillez à bien charger complètement la batterie avant son utilisation.

Chargeur de batterie (EY0L80)

1. Branchez le cordon d'alimentation du chargeur dans une prise secteur.

REMARQUE:

Des étincelles peuvent être produites lorsque la fiche est introduite dans la prise d'alimentation secteur; toutefois, ceci ne pose aucun problème de sécurité.

2. Introduisez soigneusement la batterie autonome dans le chargeur.
 - 1 Alignez les marques d'alignement et placez la batterie dans le poste d'accueil sur le chargeur.
 - 2 Faites glisser vers l'avant dans le sens de la flèche.



3. Pendant la charge, le témoin s'allume. Lorsque la charge est terminée, un interrupteur électronique s'actionne pour protéger la batterie.
 - La charge ne peut pas être réalisée si la batterie autonome est chaude (par exemple, à la suite d'un long travail de perçage). Le témoin d'attente orange clignote jusqu'à ce que la batterie se soit refroidie. La charge commence alors automatiquement.
4. Le témoin de charge (vert) clignote lentement dès que la batterie est chargée à environ 80%.
5. Lorsque la charge est terminée, le témoin de charge se met à clignoter rapidement en vert.
6. Lorsque la température de la batterie autonome est de 0°C ou moins, la batterie autonome prend plus longtemps à charger que la durée standard. Même lorsque la batterie est complètement chargée, elle n'aura qu'environ 50% de la puissance d'une batterie complètement chargée à une température de fonctionnement normale.
7. Lorsque le témoin d'alimentation ne s'allume pas immédiatement après avoir branché le chargeur, ou si après la durée de charge standard, le témoin de charge ne clignote pas rapidement en vert, consultez un concessionnaire autorisé.
8. Si une batterie complètement chargée est à nouveau insérée dans le chargeur, le témoin de charge s'allume. Après quelques minutes,

le voyant de charge risque de clignoter rapidement pour indiquer que la charge est terminée.

Batterie autonome Ni-MH/Ni-Cd

REMARQUE:

Chargez une nouvelle batterie autonome, ou une batterie autonome qui n'a pas été utilisée pendant une période prolongée, pendant 24 heures pour lui redonner sa pleine capacité.

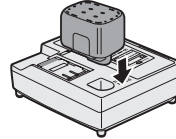
Chargeur de batterie (EY0L80)

1. Branchez le cordon d'alimentation du chargeur dans une prise secteur.

REMARQUE:

Des étincelles peuvent être produites lorsque la fiche est introduite dans la prise d'alimentation secteur; toutefois, ceci ne pose aucun problème de sécurité.

2. Introduisez soigneusement la batterie autonome dans le chargeur.



3. Pendant la charge, le témoin s'allume. Lorsque la charge est terminée, un interrupteur électronique s'actionne pour protéger la batterie.
 - La charge ne peut pas être réalisée si la batterie autonome est chaude (par exemple, à la suite d'un long travail de perçage). Le témoin d'attente orange clignote jusqu'à ce que la batterie se soit refroidie. La charge commence alors automatiquement.
4. Lorsque la charge est terminée, le témoin de charge se met à clignoter rapidement en vert.
5. Si le voyant de charge ne s'allume pas immédiatement après le branchement du chargeur ou, si après la durée de charge standard, le voyant ne s'éteint pas, consultez un revendeur agréé pour de l'assistance technique.
6. Si une batterie complètement chargée est à nouveau insérée dans le chargeur, le témoin de charge s'allume. Après quelques minutes, le voyant de charge risque de clignoter rapidement pour indiquer que la charge est terminée.

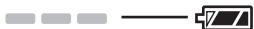
Indication du voyant



Allumé en vert
Le chargeur est branché dans la prise secteur.
Prêt pour la charge.



Clignotant rapidement en vert
Chargement terminé. (Pleine charge)



Clignotant en vert
La batterie est chargée à environ 80%. (Charge utile. Li-ion seulement)



Allumé en vert
Chargement en cours.

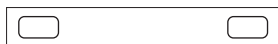


Allumé en orange
La batterie autonome est froide
La batterie autonome est chargée lentement pour réduire l'effort de la batterie. (Li-ion seulement)



Clignotant en orange
La batterie autonome est chaude. La charge commence lorsque la température de la batterie autonome descend.

Lorsque la température de la batterie autonome est de -10°C ou moins, le témoin de charge (orange) se met également à clignoter. La charge commence lorsque la température de la batterie autonome augmente (Li-ion seulement).



Témoin de l'état de charge
Gauche: vert Droite: orange s'affichent.



Clignotant rapidement en orange et en vert
Impossible de charger. Colmatage par la poussière ou mauvais fonctionnement de la batterie autonome.

X. ENTRETIEN

⚠ AVERTISSEMENT

Afin d'éviter toute blessure grave, retirez toujours la batterie autonome de l'outil avant de procéder à toute procédure d'entretien.

MISE EN GARDE:

Pour avoir la certitude de réunir en permanence les conditions de SÉCURITÉ et de FIABILITÉ nécessaires, les opérations d'entretien doivent être confiées à un centre de service après-vente autorisé. Il faut toujours exiger que le remplacement de pièces soit fait par des pièces d'origine Panasonic.

Nettoyage de l'outil

Gardez votre outil propre afin d'assurer une bonne performance de sciage et pour garder son utilisation sûre.

Suivez ces étapes:

1. Retirez la batterie autonome de l'outil.
2. Essuyez l'outil avec un chiffon propre et sec.
N'utilisez pas un chiffon mouillé ou des liquides de nettoyage.

Ils pourraient endommager la finition de la scie circulaire.

3. Veillez à essuyer toute huile ou graisse qui pourraient rendre l'outil glissant ou difficile à manipuler.
4. Retirer la lame de scie de la scie et retirer les particules qui s'y sont déposées avec une brosse.

MISE EN GARDE:

Pour éviter tout risque d'accident et pour ne pas endommager la scie circulaire à couper les métaux, ne jamais immerger tout ou partie de la scie dans un liquide.

Protège-lame transparent

⚠ AVERTISSEMENT

Si la garde est fissurée ou cassée, apportez l'outil à un centre de service agréé pour la faire remplacer. N'essayez pas de faire fonctionner la scie circulaire. Cela peut entraîner des blessures graves.

N'utilisez jamais votre outil avec un protège-lame transparent endommagé ou sans avoir installé le protège-lame transparent. Des copeaux projetés peuvent entraîner des blessures graves.

XI. ACCESSORIES

⚠ AVERTISSEMENT

- L'utilisation d'accessoires ne figurant pas dans ce manuel peut causer un incendie, un choc électrique ou des blessures corporelles. N'utilisez que les accessoires recommandés.
- L'utilisation d'une lame sur des matériaux plus épais ou plus fins que recommandé aura pour conséquence une coupe grossière et pourrait aggraver le risque de "retour en arrière" ("kick-back") ou d'autres dommages.

Lame au carbure pour métal

- EY9PM13C
Pour scier des matériaux ferreux non trempés
Épaisseur du matériau
0,5 mm – 6,0 mm (1/32" – 1/4")

Lame au carbure pour métal mince (accessoire en option)

- EY9PM13D
Pour scier des matériaux ferreux non trempés minces requérant un bord de coupe propre
Épaisseur du matériau
0,5 mm – 6,0 mm (1/32" – 1/4")

Lame au carbure pour bois (accessoire en option)

- EY9PW13A
Pour scier du bois en général

Lame au carbure pour bois mince (accessoire en option)

- EY9PW13B
Pour scier du bois mince requérant un bord de coupe propre
Épaisseur du matériau recommandée: jusqu'à 12 mm

Lame au carbure pour plastique (accessoire en option)

- EY9PP13B
Pour scier du plastique
Épaisseur recommandée des matériaux acryliques et des plaques en chlorure de vinyle:
2,0 mm – 5,0 mm (5/64" – 3/16")
plaques ondulées, tuyaux
0,8 mm – 5,0 mm (1/32" – 3/16")

Adaptateur pour durit d'aspirateur (accessoire en option)

- EY9X012E

Guide de sciage (accessoire en option)

- EY3500B7727
Pour effectuer commodément des sciages en planches et des sciages répétés de largeur uniforme

XII. FICHE TECHNIQUE

| | |
|---|---|
| Tension de moteur | 14,4 V CC |
| Vitesse de rotation de lame | 3600 min ⁻¹ (rpm) |
| Taille de lame | |
| Diamètre extérieur | 135 mm (5-3/8") |
| Dimension d'arbre | 20 mm (25/32") |
| Profondeur maximum de coupe | 0 – 46 mm (0" – 1-13/16") (lame de 135 mm de diamètre) |
| Longueur totale | 329 mm (12-61/64") |
| Poids (avec la batterie autonome: EY9L40) | 2,65 kg (5,7 lbs) |

BATTERIE AUTONOME

| | |
|-------------------------|-----------------------------|
| Modèle | EY9L40 |
| Stockage de la batterie | Batterie Li-ion |
| Tension de la batterie | 14,4 V CC (3,6 V x 4 piles) |
| Capacité | 3 Ah |

CHARGEUR DE BATTERIE

| | |
|--------------------|--|
| Modèle | EY0L80 |
| Puissance nominale | Voir la plaque signalétique se trouvant sur le côté inférieur du chargeur. |
| Poids | 0,95 kg (2,1 lbs) |

[Batterie autonome Li-ion]

| | | | | |
|---------------------|------|---------------------|---------------------|---------------------|
| Durée de chargement | 3 Ah | 14,4 V | 21,6 V | 28,8 V |
| | | EY9L40 | EY9L60 | EY9L80 |
| | | Utilisable: 35 min. | Utilisable: 45 min. | Utilisable: 55 min. |
| | | Plein: 50 min. | Plein: 60 min. | Plein: 70 min. |

[Batterie autonome Ni-MH/Ni-Cd]

| | 7,2 V | 9,6 V | 12 V | 15,6 V | 18 V | 24 V | |
|---------------------|---------|------------------|------------------|----------------------------|--------|---------|------------------|
| Durée de chargement | 1,2 Ah | EY9065 EY9066 | EY9080 EY9086 | EY9001 | | | |
| | 20 min. | | | | | | |
| | 1,7 Ah | | EY9180 EY9182 | EY9101 EY9103 | | | |
| | 25 min. | | | | | | |
| | 2 Ah | EY9168 | EY9188 | EY9106 EY9107 EY9108 | EY9136 | | EY9116 EY9117 |
| | 30 min. | | | | | 60 min. | |
| 3 Ah | | | EY9200 | EY9230 | | EY9210 | |
| 45 min. | | | | | | 90 min. | |
| 3,5 Ah | | | EY9201 | EY9231 | EY9251 | | |
| 55 min. | | | | 65 min. | | | |

REMARQUE: Ce tableau peut inclure des modèles non disponibles dans votre région.
Veuillez vous reporter au catalogue général le plus récent.

I. INTRODUCCIÓN

Esta herramienta es una sierra de metal de propósitos múltiples. Cambiando la hoja, ésta puede ser usada para cortar madera, metales y plásticos. El polvo se acumula en una caja de polvo integrada, o a una aspiradora conectada (conectando la manguera a la sierra).

⚠ PELIGRO

Este producto es una herramienta de corte, diseñada para cortar a través de metal y madera. Posee una cuchilla giratoria que es capaz de cortarle profundamente, causándole daños serios o la muerte. Por lo tanto, lea cuidadosamente este manual y las marcas de precaución en la herramienta y respete todas las instrucciones de seguridad para evitar heridas de este tipo.

⚠ ADVERTENCIA

Para evitar lesiones, nunca inserte sus dedos, ni ningún otro objeto en alguna apertura de la herramienta.

⚠ ADVERTENCIA

Lea todas las advertencias de seguridad y todas las instrucciones.

No cumplir con las advertencias e instrucciones puede resultar en choques eléctricos, incendios y/o lesiones serias.

Forma de utilizar este manual

- Lea completamente este manual antes de comenzar a cortar usando su herramienta. Si usted permite que otra persona use la herramienta, asegúrese que esta persona lea este manual o que sea completamente instruido sobre el uso apropiado y todas las precauciones de seguridad relacionadas con la herramienta.
- Guarde este manual para referencia futura. Éste contiene información de seguridad importante que usted debe respetar para usar la herramienta con seguridad.
- Este manual y el producto utilizan las siguientes palabras clave:

NOTA

Las notas proveen información adicional que usted debería conocer sobre la herramienta.

PRECAUCIÓN

La precaución indica una situación potencialmente peligrosa, que podría resultar en daños menores o moderados si no se evita. Las precauciones también le indicarán prácticas no seguras que tendrá que evitar.

ADVERTENCIA

La advertencia le indica una situación potencialmente peligrosa, que podría resultar en daños serios o en la muerte, si no se evita.

PELIGRO

Peligro indica un riesgo inminente, que podría resultar en daños serios o en la muerte si no se evita.

II. ADVERTENCIAS DE SEGURIDAD PARA LAS HERRAMIENTAS DE PODER GENERALES

⚠ ADVERTENCIA

Lea todas las advertencias e instrucciones de seguridad. No cumplir con las advertencias e instrucciones puede resultar en choques eléctricos, incendios y/o lesiones serias.

Guarde todas las advertencias e instrucciones para referencia futura.

El término “herramienta de poder” en todas las advertencias se refiere a las herramientas de poder operadas por cable (con cordón) y a las herramientas de poder operadas a batería (inalámbricas).

Seguridad del área de trabajo

- 1) **Mantenga el lugar de trabajo limpio y bien iluminado.**
Las áreas pobladas u oscuras invitan a los accidentes.
- 2) **No haga funcionar herramientas eléctricas en un ambiente explosivo como en lugares donde hay líquidos inflamables cajas o polvo.**
Las herramientas eléctricas producen chispas que pueden encender el polvo o el vapor.
- 3) **Mantenga a los niños y personal no relacionado lejos mientras haga funcionar la herramienta eléctrica.**
Una distracción puede hacer que pierda el control.

Seguridad eléctrica

- 1) **Los enchufes de herramientas eléctricas deben coincidir con el tomacorriente. Nunca modifique el enchufe. No utilice ningún adaptador de enchufe con herramientas eléctricas con tierra (conexión a tierra).**
Un enchufe no modificado y tomacorrientes que coincidan reducirán el riesgo de descarga eléctrica.

2) Evite el contacto de su cuerpo con una superficie de tierra o conectado a una tierra tales como tubos, radiadores, microondas y refrigeradores.

Existe un mayor riesgo de descarga eléctrica si su cuerpo queda conectado a una tierra.

3) No exponga herramientas eléctricas a la lluvia o condiciones de humedad.

El agua que entra en una herramienta eléctrica aumentará el riesgo de descarga eléctrica.

4) No abuse del cable. Nunca utilice el cable para transportar, tirar de o desenchufar la herramienta eléctrica. Mantenga el cable lejos de fuentes de calor, aceite, bordes afilados o piezas móviles.

Un cable dañado o enredado puede aumentar el riesgo de descarga eléctrica.

5) Cuando haga funcionar una herramienta eléctrica en exteriores, utilice un cable de extensión adecuado para uso en exteriores.

El uso de un cable adecuado para uso en exteriores reduce el riesgo de descarga eléctrica.

6) Si la operación de una herramienta de poder en una localización húmeda es inevitable, use una alimentación eléctrica protegida por un dispositivo de corriente residual (RCD).

El uso del RCD reduce el riesgo de choques eléctricos.

Seguridad personal

1) Manténgase alerta, vigile lo que haga y utilice sentido común cuando haga funcionar la herramienta eléctrica. No utilice una herramienta eléctrica mientras está cansado o bajo la influencia de drogas, alcohol o medicamentos.

Un momento de falta de atención mientras opera las herramientas de poder puede resultar en lesiones personales serias.

2) Use equipos de protección personal. Siempre use protección ocular.

Los equipos de protección, tales como máscaras contra el polvo, zapatos de seguridad no deslizantes, casco o protección auditiva usados para las condiciones apropiadas reducirán las lesiones personales.

3) Evite el arranque no intencional. Asegúrese que el interruptor esté en la posición apagada antes de conectar la fuente de alimentación y/o el paquete de baterías tomando o transportando la herramienta.

El transportar las herramientas de poder con su dedo en el interruptor o dar energía a las herramientas de poder que tengan interruptor invita a la ocurrencia de accidentes.

4) Desmonte cualquier llave de ajuste o llave de cubo antes de conectar la herramienta eléctrica.

Una llave instalada en una pieza rotatoria de la herramienta eléctrica puede provocar una herida personal.

5) No fuerce su cuerpo. Mantenga sus pies bien apoyados en el piso y su equilibrio en todo momento.

Esto permite un mejor control de la herramienta eléctrica en situaciones inesperadas.

6) Vístase correctamente. No utilice ropa floja o joyas. Mantenga su cabello, ropa y guantes lejos de piezas móviles.

Una ropa floja, joyas o cabello largo puede quedar atrapado en piezas móviles.

7) El uso de estos dispositivos de recolección de polvo puede reducir los peligros relacionados con el polvo.

La aplicación de recolección de polvo puede reducir los peligros relacionados con el polvo.

Uso y cuidados de herramientas eléctricas

1) No fuerce la herramienta eléctrica. Utilice la herramienta eléctrica correcta según su aplicación.

Una herramienta eléctrica correcta hará el trabajo mejor y más seguro a la velocidad para la que fue diseñada.

2) No utilice la herramienta eléctrica si el interruptor no se conecta y desconecta.

Cualquier herramienta eléctrica que no pueda controlarse con el interruptor es peligroso y debe repararse.

3) Desconecte el enchufe de la fuente de alimentación y/o el paquete de baterías de la herramienta de poder antes de efectuar cualquier ajuste, cambio de accesorios o almacenamiento de las herramientas de poder.

Estas medidas de seguridad preventiva reducen el riesgo de que la herramienta eléctrica arranque por accidente.

4) Guarde las herramientas eléctricas apagadas en un lugar fuera del alcance de los niños y no permita que personas que no saben el uso de la herramienta eléctrica o estas instrucciones hagan funcionar la herramienta eléctrica.

Las herramientas eléctricas son peligrosas en manos de usuarios no entrenados.

5) Mantenga las herramientas eléctricas. Verifique por mala alineación o atascado de piezas móviles, rotura de piezas y otras condiciones que puedan afectar el funcionamiento de las herramientas eléctricas. Si está dañado, haga reparar la herramienta eléctrica antes de utilizar.

Muchos accidentes se deben a herramientas eléctricas mal mantenidas.

6) Mantenga las herramientas de corte afiladas y limpias.

Las herramientas de corte bien mantenidas con bordes de corte afilados tienen menos posibilidades de atascarse y son más fáciles de controlar.

7) Use la herramienta de poder, los accesorios y las brocas de las herramientas, etc., de acuerdo con estas instrucciones, tomando en consideración las condiciones de trabajo y el trabajo a ser efectuado.

El uso de la herramienta de poder para operaciones diferentes de aquellas para las que está diseñada podría resultar en una situación peligrosa.

Uso y cuidado de la herramienta a batería

1) Asegúrese que el interruptor está desconectado antes de insertar el paquete de batería.

La colocación del paquete de batería en las herramientas eléctricas que tienen el interruptor activado es causa de accidentes.

2) Recargue sólo con el cargador especificado por el fabricante.

Un cargador que es adecuado para un tipo de paquete de batería puede provocar el riesgo de incendio cuando se utiliza con otro paquete de batería.

3) Utilice herramientas eléctricas sólo con los paquetes de batería especificados.

El uso de otros paquetes de batería puede provocar el riesgo de heridas e incendio.

4) Cuando no se utilice el paquete de batería, mantenga alejado de otros objetos metálicos como ganchos de papel, monedas, llaves, clavos, tornillos u otros objetos pequeños que puedan crear una conexión de un terminal a otro.

El cortocircuito de terminales de batería puede provocar quemaduras o un incendio.

5) En condiciones de uso abusivo, el líquido puede salir de la batería; evite el contacto. Si se produce un contacto por accidente, lave con agua. Si el líquido entra en contacto con los ojos, solicite además ayuda médica.

El líquido que sale de la batería puede provocar irritación o quemaduras.

Servicio

1) Solicite el servicio de la herramienta eléctrica a un técnico cualificado utilizando sólo repuestos idénticos.

Esto mantendrá la seguridad de la herramienta eléctrica.

III. INSTRUCCIONES DE SEGURIDAD PARA TODAS LAS SIERRAS

1) PELIGRO: Mantenga las manos lejos del ambiente de corte y la cuchilla. Mantenga su segunda mano en el mango auxiliar o caja del motor. Si ambas manos sujetan la sierra no pueden cortarse con la cuchilla.

2) No busque nada debajo de la pieza de trabajo. El protector no puede protegerlo contra la cuchilla si está debajo de la pieza de trabajo.

3) Ajuste la profundidad del corte al espesor de la pieza de trabajo. Debe verse menos de todo el diente por debajo de la pieza de trabajo. El protector no puede protegerlo contra la cuchilla si está debajo de la pieza de trabajo.

4) Nunca sujete la pieza que está cortando con las manos o sobre sus piernas. Asegure la pieza de trabajo en una plataforma estable. Es importante que soporte correctamente el trabajo para reducir la exposición del cuerpo, atasco de la cuchilla o pérdida de control.

5) Sujete la herramienta eléctrica por sus superficies de empuñadura aisladas cuando la herramienta de corte pueda entrar en contacto con cables ocultos o con su propio cable. El contacto con un cable "con corriente" puede hacer que las piezas de metal expuestas de la herramienta eléctrica "tengan corriente" y el operador recibirá una descarga eléctrica.

6) Cuando se hace el aserrado al hilo, utilice una guía de corte al hilo o una guía de borde recto. Esto mejora la precisión del corte y reduce la posibilidad de atasco de la cuchilla.

7) Utilice siempre cuchillas con el tamaño y forma correctos (diamante contra redondo) con agujeros para el eje. Las cuchillas que no coincidan con el herraje de montaje de la sierra tendrán excentricidad provocando una pérdida de control.

8) Nunca utilice arandelas o perno de cuchilla dañados o incorrectos. Las arandelas

y perno se diseñaron especialmente para su sierras, para prestaciones óptimas y seguridad del funcionamiento.

IV. INSTRUCCIONES DE SEGURIDAD ADICIONALES PARA TODAS LAS SIERRAS

Causas y prevención de retroceso del operador:

- el retroceso es una reacción repentina de una cuchilla de sierra atrapada, adherida o mal alineada que hace que una sierra pierda el control y se levante y salga de la pieza de trabajo y retroceda al operador.
- cuando la cuchilla quede atrapada o atascada firmemente por el corte que se cierra, la cuchilla se detiene y la reacción del motor acciona la unidad rápidamente hacia atrás hacia el operador.
- si la cuchilla se dobla o queda mal alineada en el corte, los dientes en el borde trasero de la cuchilla pueden entrar en la superficie superior de la madera, haciendo que la cuchilla se salga del corte y salte atrás hacia el operador.

El retroceso es el resultado de un mal uso de la sierra y/o condiciones o procedimientos de funcionamiento incorrectos y puede evitarse adoptando precauciones adecuadas tal como se da a continuación.

- 1) **Apriete firmemente con ambas manos sobre la sierra y ponga sus brazos de forma de resistir la fuerza de retroceso. Ponga su cuerpo hacia un lado de la cuchilla pero no en línea con la cuchilla.**

El retroceso puede hacer que la sierra salte hacia atrás pero el operador puede controlar las fuerzas de retroceso si adopta precauciones adecuadas.

- 2) **Cuando se atasca la cuchilla o cuando se interrumpe el corte por cualquier razón, suelte el gatillo y mantenga la sierra sin mover en el material hasta que la cuchilla se detenga completamente. Nunca trate de retirar la sierra del trabajo o tire de la sierra hacia atrás cuando la cuchilla está en movimiento ya que puede producirse un retroceso.**

Investigue y tome acciones de corrección para eliminar las causas de un atasco de la cuchilla.

- 3) **Cuando vuelva a poner en marcha la sierra en la pieza de trabajo, coloque la**

cuchilla de la sierra en el centro del corte y cerciórese que los dientes de la sierra no están enganchados en el material.

Si la cuchilla de la sierra está atascada puede salirse o retroceder de la pieza de trabajo cuando vuelva a poner en marcha la sierra.

- 4) **Sujete los paneles grandes para reducir el riesgo de atrapar la sierra y provocar un retroceso.**

Los paneles grandes tienden a doblarse por su propio peso. Debe colocar soportes debajo del panel en ambos lados, cerca de la línea de corte y cerca del borde del panel.

- 5) **No utilice cuchillas desafiladas o dañadas.** Una cuchilla desafilada o mal instalada produce un corte angosto, provocando una fricción excesiva, atasco de la cuchilla y retroceso.
- 6) **Las palancas de profundidad de la cuchilla y de bloqueo del ajuste de biselado deben estar apretadas y aseguradas antes de hacer el corte.**

Si el ajuste de la cuchilla se desplaza durante el corte, puede provocar un atasco y retroceso.

- 7) **Tenga mucho cuidado cuando haga un "corte por penetración" en paredes existentes u otras áreas ciegas.**

La cuchilla sobresaliente puede cortar objetos que puedan provocar un retroceso.

V. INSTRUCCIONES DE SEGURIDAD PARA ESTA SIERRA

- 1) **Verifique el cierre correcto del protector inferior de la cuchilla antes de cada uso. No haga funcionar la sierra si el protector inferior de la cuchilla no se mueve libremente y se cierra instantáneamente. Nunca apriete o ate el protector inferior de la cuchilla en la posición abierta.**

Si la sierra se deja caer accidentalmente, la protección inferior podría resultar deformada. Eleve la protección inferior con el mango retráctil y asegúrese que se mueve libremente, y que no toca la cuchilla ni ninguna otra parte, en todos los ángulos y profundidades de corte.

- 2) **Verifique el funcionamiento del resorte del protector inferior de la cuchilla. Si el protector y el resorte no funcionan correctamente, debe hacerse el servicio antes de su uso.**

El protector inferior de la cuchilla puede funcionar lentamente debido a que tiene piezas

dañadas, depósitos pegajosos o acumulación de residuos.

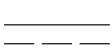
- 3) **La protección inferior debe ser retraída manualmente sólo para los cortes especiales, tales como "cortes de émbolo" y "cortes compuestos." Eleve la protección inferior mediante el mango retráctil; y tan pronto como la cuchilla penetra el material, la protección inferior debe ser liberada.** Para los demás cortes de sierra, el protector inferior de la cuchilla debe hacerse funcionar automáticamente.
- 4) **Vigile siempre que el protector inferior de la cuchilla cubre la cuchilla antes de apoyar la sierra en un banco o piso.** Una cuchilla que gire al vacío sin protección hará que la sierra camine hacia atrás, cortando lo que esté a su paso. Tenga en cuenta el tiempo que demora hasta que la cuchilla se cierre después de soltar el interruptor.

VI. REGLAS DE SEGURIDAD GENERALES

- 1) **No utilice ruedas abrasivas.**
- 2) **Utilice una máscara de polvo si el trabajo produce polvo.**
- 3) **Utilice cuchillas de sierra recomendadas por el fabricante.**
- 4) **Utilice protectores para el oído cuando utilice la herramienta durante largo tiempo.**
- 5) **El riesgo de retroceso aumenta a medida que se descargue la batería.**
- 6) **Asegúrese de inspeccionar el material. Evite cortar otro material diferente.**
- 7) **Tenga cuidado de no dejar caer la herramienta.**
- 8) **Nunca haga oscilar la herramienta.**
- 9) **Nunca cubra las ranuras de salida de aire y manténgalas libres de polvo u otro material.**
- 10) **No sujete la herramienta en una prensa de tornillo. Nunca corte con la herramienta sostenida de manera invertida en una prensa de tornillo. Esto es extremadamente peligroso y puede llevar a serios accidentes.**
- 11) **Nunca utilice guantes de lana tejidos.**
- 12) **Asegúrese que no haya ninguna persona abajo cuando se use la herramienta en lugares elevados.**
- 13) **No toque la cuchilla inmediatamente después del funcionamiento. Puede estar caliente y quemar su piel.**
- 14) **No toque el material después de cortarlo. El material cortado puede estar muy caliente.**

- 15) **No utilice aceite para corte. Este uso de un aceite para corte puede provocar un fuego.**
- 16) **No corte piezas de trabajo cubiertas o manchadas con gas, aceite, disolventes, diluyentes, etc.**
La exposición a estos materiales puede dañar el protector transparente.
- 17) **No desmonte los protectores transparente e inferior de la cuchilla. Si los protectores transparente e inferior de la cuchilla están dañados o faltan, envíe la herramienta al centro de servicio autorizado para su cambio.**
- 18) **No arranque la cuchilla cuando está en contacto con la pieza de trabajo. Espere hasta que la cuchilla alcance su velocidad máxima antes de empezar el corte.**

Símbolo

| Símbolo | Significado |
|---|--------------------------------------|
| V | Voltios |
|  | Corriente continua |
| n_0 | Velocidad sin carga |
| $\dots \text{min}^{-1}$ | Revoluciones o movimiento alternante |
| A | Amperios |

⚠ ADVERTENCIA

- Solamente use paquetes de baterías Panasonic que están diseñados para uso con esta herramienta recargable.
- No elimine el paquete de baterías en el fuego, ni lo exponga al calor excesivo.
- No entierre clavos ni similares en el paquete de baterías, no lo someta a golpes, no lo desarme, ni intente modificarlo.
- No permita que los objetos metálicos toquen los terminales del paquete de baterías.
- No transporte ni almacene el paquete de baterías en el mismo contenedor que clavos u otros objetos metálicos similares.

- No cargue el paquete de baterías en un lugar a alta temperatura, como por ejemplo cerca de una fuente de fuego o bajo la luz solar directa. De otra manera, la batería podría sobrecalentarse, encenderse o explotar.
- Solamente use el cargador dedicado para cargar el paquete de baterías. De otra manera, la batería podría filtrarse, sobrecalentarse o explotar.
- Después de extraer el paquete de baterías de la herramienta o el cargador, siempre reinstale la cubierta del paquete. De otra manera, los contactos de la batería podrían ser cortados, causando el riesgo de fuego.

⚠ ¡ADVERTENCIA!

Algunos tipos de polvo creados al lijar, serrar, pulir, taladrar y al hacer otras actividades de construcción contienen productos químicos que el Estado de California sabe que producen cáncer, defectos de nacimiento y otros daños en la reproducción. Entre estos productos químicos se encuentran:

- El plomo de pinturas con base de plomo.
- El sílice cristalino de ladrillos, cemento y otros productos de albañilería.
- El arsénico y el cromo de la madera tratada químicamente.

Para reducir la exposición a estos productos químicos: Trabaje en un lugar bien ventilado y con el equipo de seguridad aprobado como, por ejemplo, máscaras contra el polvo que han sido diseñadas especialmente para no dejar pasar las partículas microscópicas.

VII. PARA EL CARGADOR DE BATERIA Y LA BATERIA

Instrucciones de seguridad importantes

- 1) **GUARDE ESTAS INSTRUCCIONES** – Este manual contiene instrucciones de seguridad importantes y de funcionamiento para el cargador de batería EY0L80.
- 2) Antes de utilizar el cargador de batería, lea todas las instrucciones y marcas de precaución en el cargador de batería, la batería y el producto que utilice la batería.

- 3) **PRECAUCIÓN** – Para reducir el riesgo de heridas, cargue sólo la batería de Panasonic indicada en la última página. Los otros tipos de baterías pueden explotar provocando heridas personales y daños.
- 4) No exponga el cargador a la lluvia o nieve.
- 5) Para reducir el riesgo de dañar el enchufe y cable eléctrico, tire del enchufe y no del cable cuando desconecte el cargador.
- 6) Cerciórese que el cable está instalado de tal forma que nadie lo pise o enriede en los pies o esté expuesto a otros daños o tensión.
- 7) No debe utilizar un cable de extensión a menos que sea absolutamente necesario. El uso de un cable de extensión incorrecto puede provocar un riesgo de fuego o descarga eléctrica. Si debe utilizar un cable de extensión, cerciórese de que:
 - a. las patas en el enchufe del cable de extensión son del mismo número, tamaño y forma que los del enchufe en el cargador.
 - b. el cable de extensión está bien enchufado y en buenas condiciones eléctricas.
 - c. el tamaño del cable es lo suficientemente grande para las especificaciones de amperios del cargador, tal como se especifica a continuación.

TAMAÑO PROMEDIO MINIMO RECOMENDADO PARA LOS CABLES DE EXTENSION DE LOS CARGADORES DE BATERIA

| Espec. entrada de CA | Amperios | Tamaño promedio de cable | | | |
|----------------------|---------------|--------------------------|----|-----|-----|
| Igual o mayor que | Pero menos de | Longitud de cable Pies | | | |
| 0 | 2 | 25 | 50 | 100 | 150 |
| | | 18 | 18 | 18 | 16 |

- 8) No haga funcionar el cargador con un cable o enchufe dañado – cámbielos inmediatamente.
- 9) No haga funcionar el cargador si recibió un golpe fuerte, se cayó o está dañado de alguna otra forma; lleve al personal de servicio calificado.
- 10) No desarme el cargador, llévelo al personal de servicio calificado cuando sea necesario un servicio o reparación. Un rearmado incorrecto puede traducirse en un riesgo de descarga eléctrica o fuego.
- 11) Para reducir el riesgo de descarga eléctrica, desenchufe el cargador del tomacorriente antes de proceder a un mantenimiento o limpieza.
- 12) El cargador de batería y la batería fueron diseñados específicamente para funcionar uno con el otro. No trate de cargar cualquier otra herramienta inalámbrica o la batería con este cargador.

- 13) No trate de cargar la batería con ningún otro cargador.
- 14) No trate de desarmar la caja de la batería.
- 15) No guarde la herramienta y la batería en ambientes donde la temperatura pueda alcanzar o superar los 50°C (122°F) (tales como galpón de herramientas para metal o un coche en verano), ya que puede deteriorar la batería guardada.
- 16) No cargue la batería cuando la temperatura está por DEBAJO de 0°C (32°F) o por ENCIMA de 40°C (104°F). Esto es muy importante para mantener en condiciones óptimas la batería.
- 17) No incinere la batería. Puede explotar en el fuego.
- 18) Evite ambientes peligrosos. No utilice el cargador en lugares húmedos o mojados.
- 19) El cargador fue diseñado para funcionar sólo con la corriente eléctrica normal del hogar. ¡No trate de utilizar con otro voltaje!
- 20) No abuse del cable. Nunca transporte el cargador por el cable o tire del cable para desconectarlo del tomacorriente. Mantenga el cable lejos del calor, aceite y bordes agudos.
- 21) Cargue la batería en un lugar con buena circulación de aire, no cubra el cargador de batería y la batería con un paño, etc. durante la carga.
- 22) No se recomienda el uso de un enchufe triple ya que puede provocar el riesgo de fuego, descarga eléctrica o heridas personales.
- 23) No cortocircuite la batería. Una batería cortocircuitada puede provocar un gran flujo de corriente, calentamiento excesivo y el riesgo de fuego o heridas personales.
- 24) NOTA: Si el cable de alimentación de este aparato está dañado debe cambiarlo en un taller de reparaciones autorizado por el fabricante porque son necesarias herramientas de uso especial.
- 25) PARA REDUCIR EL RIESGO DE DESCARGA ELECTRICA, ESTE APARATO TIENE UN ENCHUFE POLARIZADO (UNA PATA ES MAS ANCHA QUE LA OTRA). Este enchufe entrará en el tomacorriente polarizado sólo de una forma. Si el enchufe no entra completamente en el tomacorriente, invierta el enchufe. Si no entra incluso de esta forma, hable con un electricista calificado para que le instale un tomacorriente adecuado. No cambie el enchufe de ninguna forma.

VIII. MONTAJE

Colocación y extracción de la batería

PRECAUCIÓN:

Antes de insertar el paquete de baterías, verifique que el interruptor en la herramienta funciona apropiadamente y que retorna a la posición "OFF" cuando se libera.

1. Para conectar la batería (Consulte la Fig. 2.)
Alinee las marcas de alineación y coloque las baterías.
 - Deslice la batería hasta que se bloquee en su posición.

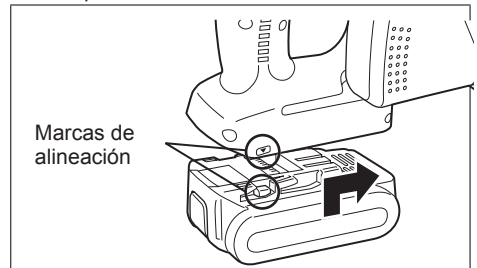


Fig. 2

2. Para extraer la batería (Consulte la Fig. 3.)
Presione el botón desde el frente para soltar la batería.

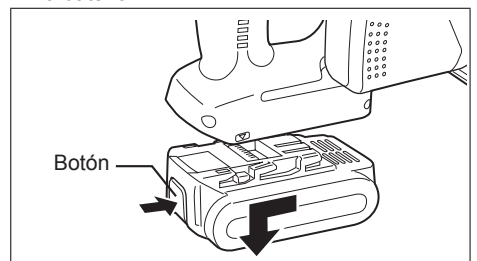


Fig. 3

IX. OPERACIÓN

Antes de usar la herramienta

Esta herramienta tiene por objeto el corte de metal ferroso no endurecido, metal no ferroso, madera y plástico. Consulte la sección de "Accesorios" para la lista de cuchillas a utilizar para las aplicaciones adecuadas de esta herramienta. Deben respetarse las siguientes precauciones para reducir el riesgo de heridas;

- No corte materiales acumulados. Corte una pieza a la vez.
- No corte acero templado.

- Corte materiales con el borde más ancho de la zapata sobre el lado apretado del material.
- No toque la cuchilla de sierra, pieza de trabajo o vituras del corte con las manos desnudas inmediatamente después del corte; pueden estar calientes y quemar su piel.

Cada vez que use la herramienta, usted debe asegurarse que esté en buena condición de operación.

Utilice la lista de comprobaciones siguiente:

1. ¿Está la cuchilla instalada en la dirección correcta?
La flecha de la cuchilla deberá estar apuntando en la misma dirección que la flecha de la cubierta superior de la cuchilla.
2. ¿Está la cuchilla instalada adecuadamente?
Cerciórese de que el perno hexagonal esté apretado con seguridad. (Consulte la Fig. 6.)
3. ¿Tiene la cuchilla buen aspecto?
Si la cuchilla tiene rajaduras, o algún diente roto, reemplácela inmediatamente.
4. ¿Se cierra adecuadamente el protector inferior de la cuchilla?

⚠ADVERTENCIA

Para evitar lesiones, no use la herramienta si la protección inferior no se cierra rápidamente sobre la cuchilla.

5. ¿Está firmemente instalado el protector transparente?
6. ¿Está el paquete de baterías cargado e insertado firmemente en la herramienta?
7. ¿Está la tuerca de ajuste de profundidad para corte apretada seguramente?
8. ¿Está la pieza de trabajo apretada firmemente en un caballo o banco de sierra?
9. ¿Está la caja de polvo o la cubierta frontal atascada con polvo?

Desenganche el botón de seguro de la cubierta frontal y remueva cualquier polvo que haya quedado atascado dentro de la cubierta. Si la cubierta se atasca, use un objeto largo tal como un desatornillador manual para desatascarlo. Después de hacerlo, cierre la cubierta frontal. (Consulte la Fig. 4.)

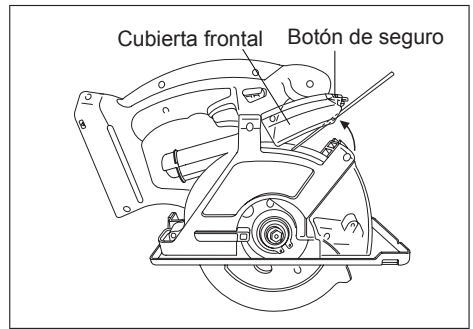


Fig. 4

Si hay polvo dentro de la caja de polvo, desenganche el botón de seguro de la caja de polvo, desprenda la caja de polvo y extraiga el polvo. Después de hacerlo, vuelva a montar la caja de polvo. (Consulte la Fig. 5.)

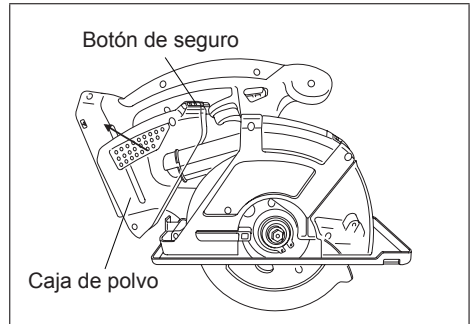


Fig. 5

Uso de la herramienta

PRECAUCIÓN:

Para reducir el riesgo de lesiones, lea las instrucciones de seguridad en la parte delantera de este manual antes de usar la herramienta.

⚠ADVERTENCIA

Para reducir el riesgo de lesiones, use gafas de seguridad o lentes con pantallas laterales durante el uso de la sierra. Adicionalmente, use una máscara de polvo cuando corte materiales que generen excesivas materias particuladas. No use la sierra bajo la lluvia. Hacerlo podría resultar en un choque eléctrico o causar que la sierra emita humo.

No corte materiales que contengan diluyente de pintura, gasolina, aceite o acumulación de otros materiales similares. Hacerlo podría causar que la caja de polvo se quiebren, resultando en lesiones.

Siga los pasos siguientes:

Sostenga la herramienta con ambas manos. (Consulte la Fig. 8.) No intente extraer el material de corte cuando la cuchilla esté en movimiento.

1. Alinee la línea de mira en la zapata con su línea de corte (Consulte la Fig. 7.)

Alineación con la línea de corte

- Posicione la ranura en la zapata sobre la línea de corte, alinee las esquinas superior e inferior de las aperturas en forma de diamante con la línea.

Como la posición de corte puede ser diferente según la cuchilla, haga un corte de ensayo por adelantado.

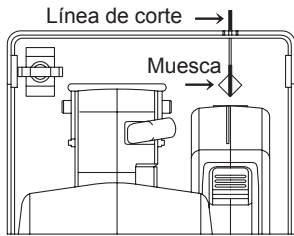


Fig. 7

2. Presione hacia abajo la palanca de bloqueo del interruptor y después apriete el interruptor de alimentación para poner el motor en funcionamiento y suelte la palanca de bloqueo del interruptor.

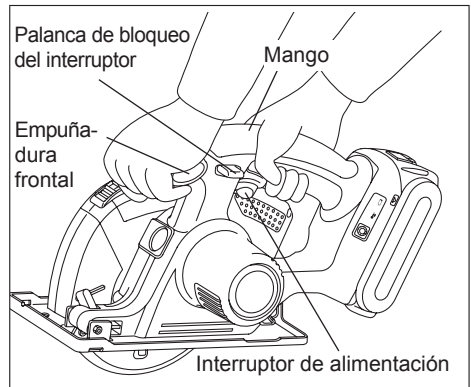


Fig. 8

PRECAUCIÓN:

- Compruebe que funcione la palanca de bloqueo del interruptor. Si ocurriera que el interruptor de alimentación se activara sin necesidad de presionar su palanca de bloqueo, deje de utilizar esta herramienta inmediatamente. Llévela de inmediato a un centro de servicio autorizado.
 - Siempre sujete el asa con una mano y la asidera delantera con la otra. (Vea la Fig. 8) Mantenga el asa firme y presione el interruptor hasta el fondo.
 - La cuchilla no debe tocar el material que desea cortar antes de que arranque el motor de la cortadora. Espere hasta que la cuchilla alcance su velocidad máxima antes de comenzar a cortar.
 - Esta herramienta no tiene bloqueo del interruptor de alimentación en la posición "ON" y no debe tratar de asegurarlo en la posición "ON".
3. Comience a cortar cuando la cuchilla llega a su velocidad máxima.
 4. Durante el corte, mantenga su línea de corte recta. Mueva la herramienta hacia adelante a una velocidad uniforme, mientras mira la punta de la cuchilla a través de la protección transparente.

⚠ADVERTENCIA

- Para evitar el contragolpe peligroso, mantenga la zapata de la herramienta plana sobre la superficie del material siendo cortado.
 - Nunca aplique la herramienta a la fuerza. Use una presión leve y continua.
5. Si el motor comienza a sentirse demasiado caliente, detenga el corte. Permita que la herramienta se enfríe antes de continuar los trabajos.
 6. Siempre es una práctica segura extraer el paquete de baterías después de su uso y antes de almacenar la herramienta.

Ajuste de la profundidad del corte

- Desmonte la batería.
- Suelte la tuerca de ajuste de profundidad y ajuste la profundidad de corte, usando las graduaciones en la protección inferior para medir la profundidad. Una vez que se termina el ajuste de profundidad, apriete la tuerca de ajuste de profundidad seguramente.
- * Cuando el material de madera es de 10 mm (3/8") o menos de espesor, ajuste la profundidad de corte de manera que la cuchilla quede protuberancia aproximadamente 5 mm (3/16") desde el fondo del material.

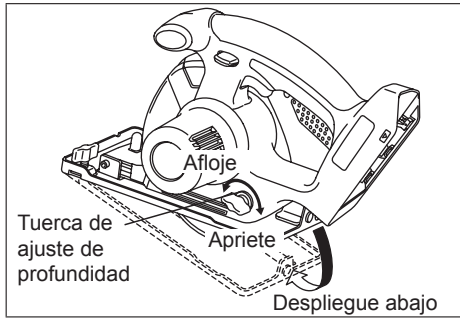


Fig. 9

Guía de corte (EY3500B7727)

(Disponible como accesorio, no viene incluido)
La guía de corte es conveniente para realizar cortes desgarrados y repetidos cortes del mismo ancho.

- Desmonte la batería.
- Inserte la guía de corte al hilo y ajuste el ancho de corte. (Consulte la Fig. 10.)
- Apriete firmemente el tornillo para fijar la guía de corte.

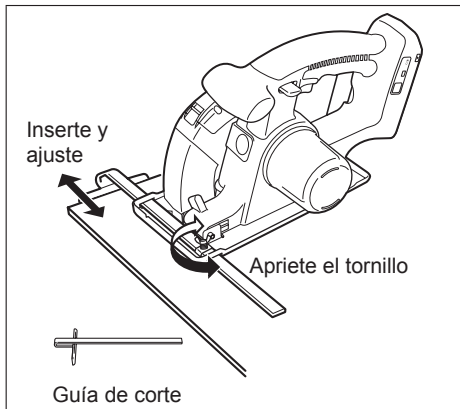


Fig. 10

Recolección del polvo

⚠ADVERTENCIA

- * Antes de cortar materiales metálicos, siempre vacíe la caja de polvo, abra la cubierta frontal y extraiga el polvo.
- El uso de la sierra con materiales inflamables en la caja de polvo para cortar materiales metálicos puede resultar en fuego.
- * Cuando corte materiales metálicos, siempre use la sierra con la caja de polvo instalada.
- Las chispas y virutas metálicas que vuelan pueden causar lesiones.
- * Cuando corte materiales metálicos, no instale una aspiradora.
Las chispas y las virutas metálicas calientes pueden causar que se produzca fuego en el vacío. Opere la aspiradora de acuerdo con sus instrucciones.

(1) Recolecte polvo en la caja de polvo.

- * Vacíe la caja de polvo cuando esté llena con polvo.
- * Vacíe la caja de polvo antes de almacenar la sierra.
- * Capacidad de la caja de polvo
 - Cuando corte el conducto eléctrico con un diámetro de 25 mm (1") aproximadamente 130 cortes
 - Cuando corte 45 mm (1-25/32") x 45 mm (1-25/32") de madera, aproximadamente 150 cortes

NOTA:

Algunos materiales pueden causar que el polvo se atasque dentro de la cubierta frontal durante el corte de estos materiales.

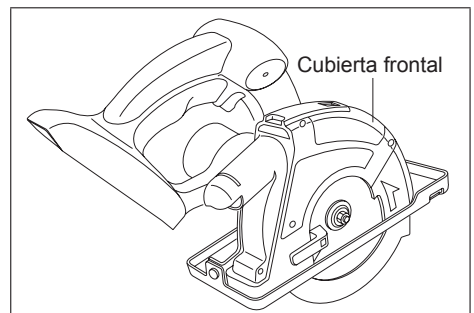


Fig. 11

(2) Sella con una aspiradora para recolectar el polvo.

- * Conecte la sierra a la manguera usando el adaptador de la manguera de la aspiradora EY9X012E (vendido separadamente).
Diámetro interno de la manguera compatible. 25 mm (1") a 38 mm (1-2/1")
- * Opere la aspiradora de acuerdo con sus instrucciones.

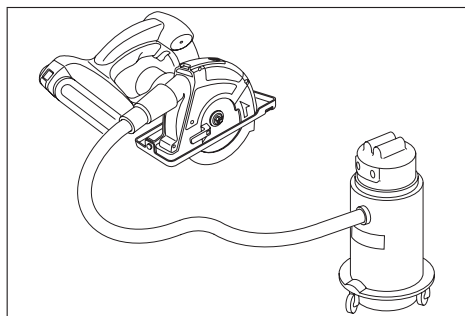
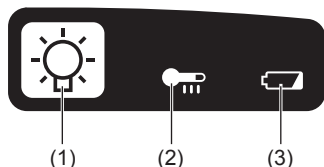


Fig. 12

NOTA:

Cuando la sierra tenga dificultad en expulsar o recolectar el polvo, la salida del polvo puede estar atascada con polvo. Abra la cubierta frontal y remueva el polvo.

Panel de control



(1) Luz LED

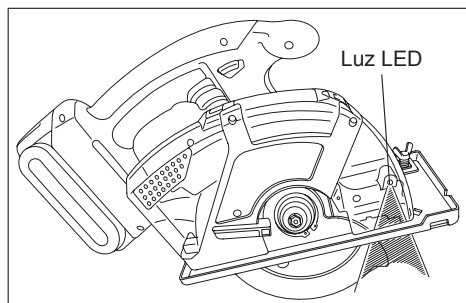


Fig. 13

Antes de usar la luz de LED, siempre tire del interruptor una vez.

Presione , la luz LED del botón.

La luz se enciende con muy poca corriente y no afecta adversamente el funcionamiento del destornillador durante el uso o la capacidad de la batería.

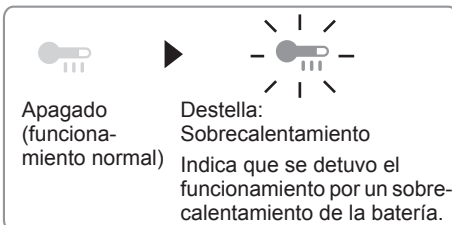
PRECAUCIÓN:

- La luz LED integrada se ha diseñado para iluminar la pequeña área de trabajo temporalmente.
- No lo utilice en lugar de una linterna normal ya que no tiene suficiente brillo.
- La luz LED se apaga cuando la herramienta no ha sido usada por 5 minutos.

Precaución: NO MIRE FIJAMENTE EL HAZ DE LUZ.

El uso de controles o ajustes o la realización de otros procedimientos que no sean los especificados puede producir una exposición a radiación peligrosa.

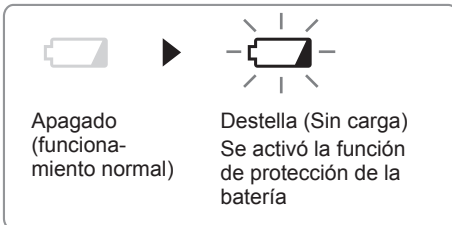
(2) Luz de advertencia de sobrecalentamiento



La característica de protección de sobrecalentamiento detiene la operación de la herramienta para proteger el paquete de baterías en caso de sobrecalentamiento. La lámpara de advertencia de sobrecalentamiento en el panel de control parpadea cuando esta característica está activa.

- Si la característica de protección de sobrecalentamiento se activa, permita que la herramienta se enfríe completamente (al menos 30 minutos). La herramienta está lista para ser usada cuando la lámpara de advertencia de sobrecalentamiento se apaga.
- Evite usar la herramienta en alguna manera que cause que la característica de protección de sobrecalentamiento se active repetidamente.

(3) Luz de advertencia de batería baja



La descarga excesiva (completa) de las baterías de iones de litio acorta su vida de servicio dramáticamente. La herramienta incluye una característica de protección de la batería diseñada para evitar la descarga excesiva del paquete de baterías.

- La función de protección de batería se activa inmediatamente antes de que la batería se quede completamente sin carga haciendo que destelle la luz de advertencia batería baja.
- Si se da cuenta que destella la luz de advertencia de batería baja, cargue inmediatamente la batería.

Utilización adecuada (detalles adicionales)

⚠ADVERTENCIA

Para evitar el riesgo de heridas personales graves:

- Es importante utilizar un equipo adecuado para sujetar correctamente el material que se está cortando y sujete correctamente la sierra con ambas manos para evitar una pérdida de control que pudiera causar heridas personales.

- La figura 14 muestra la posición de corte correcta.
- Mantenga las manos alejadas del área de corte.
- Cerciórese de que las personas cercanas se alejen del ambiente de trabajo y de debajo de la pieza de trabajo.
- Cuando corte, no trate de sujetar el material con su mano.

Corte de hojas grandes;

Sujete las hojas grandes. Asegúrese de ajustar la profundidad del corte para que sólo corte por la pieza de trabajo y no los soportes (Consulte la Fig. 15.)

Las hojas grandes se doblan o curvan si no tienen soporte correcto. Si trata de cortar sin nivelar y soportar correctamente la pieza de trabajo, la cuchilla tendrá tendencia a atascarse, provocando un retroceso (Consulte la Fig. 16.)

- No sujete el material lejos del corte.

Corte materiales finos o corrugados;

Corte materiales finos o corrugados a por lo menos 25 mm (1") del borde de la pieza de trabajo para evitar heridas o daños a la herramienta debido a las tiras finas de metal que entren en el protector superior de la cuchilla.

- Utilice solamente cuchillas afiladas. Limpie y afile las cuchillas para evitar que se atasquen y el contragolpe.

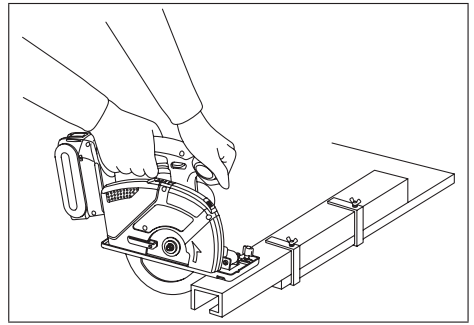


Fig. 14

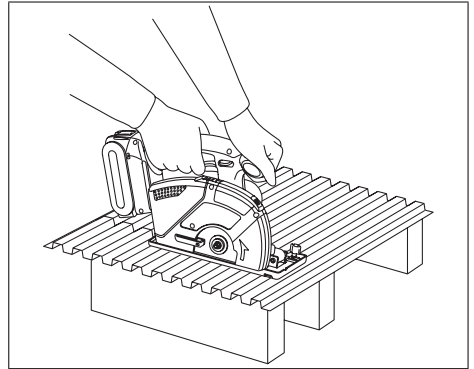


Fig. 15

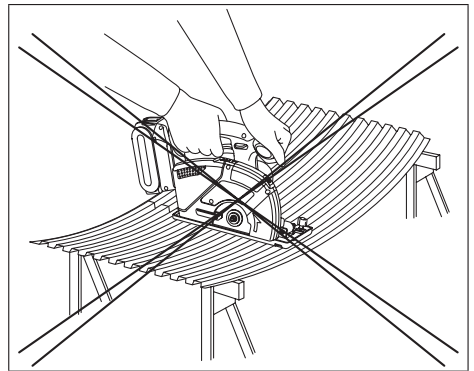


Fig. 16

⚠ADVERTENCIA

Para evitar el riesgo de heridas personales graves:

- Cuando se haga un corte incompleto o se interrumpa el corte o la cuchilla está atascada o la sierra se para: suelte inmediatamente el interruptor de alimentación y mantenga la sierra sin mover en el material hasta que se pare completamente la cuchilla.
- Para evitar el retroceso, no intente nunca separar la sierra de la pieza de trabajo ni de moverla hacia atrás mientras la cuchilla esté en funcionamiento. Cerciórese de que la cuchilla se haya parado completamente, y después quite la sierra de la pieza serrada.
- Para continuar el corte, arranque la sierra, permita que la cuchilla alcance su velocidad plena, reingrese al corte lentamente y reanude el corte.

1. Coloque la parte más ancha de la zapata en la parte de la pieza de trabajo que está soportada sólidamente (consulte la Fig. 17), nunca en la sección que caiga cuando se haga el corte (consulte la Fig. 18).

Sujete firmemente la sierra para evitar perder su control. El trabajar sin cuidado podría causar daños personales serios.

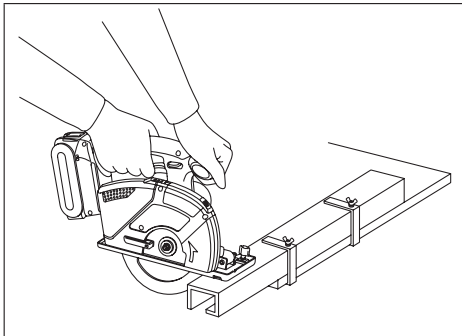


Fig. 17

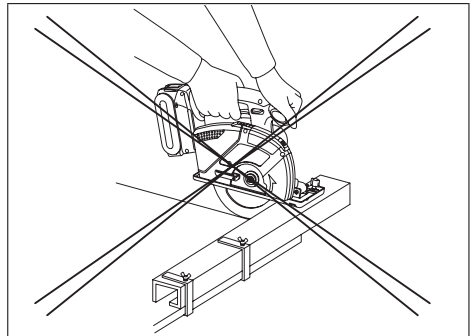


Fig. 18

2. Cerciórese de que la cuchilla esté parada.
Aunque su herramienta tiene un freno, antes de poner la herramienta abajo, asegúrese que la cuchilla se haya detenido completamente y que la protección inferior se haya cerrado.
3. No utilice la sierra si encuentra algo anormal. Quite inmediatamente la batería.
Si el cuerpo de la herramienta se calienta demasiado, o no funciona apropiadamente, extraiga el paquete de baterías y no la use. Haga que un centro de servicio autorizado lo verifique.

⚠ADVERTENCIA

Para evitar el riesgo de lesiones personales serias o incendio, no intente reparar la herramienta por sí mismo. Nunca desarme ni modifique el cuerpo de la herramienta. No hay partes que puedan ser reparadas por el usuario en el interior.

4. **NO DEJE NUNCA QUE LA SIERRA ENTRE EN CONTACTO CON SU CUERPO.**
Después de haber finalizado el corte, no deje que la sierra toque su pierna ni su costado. Como la protección inferior es retractable, ésta podría engancharse en sus ropas y exponer la cuchilla. Mantenga la ropa alejada de la herramienta. Tenga cuidado con las secciones de cuchilla expuestas que existan en las áreas de protección superior e inferior.

⚠ADVERTENCIA

Como al serrar se producirán chispas:

- Utilice siempre gafas de seguridad.
- No use la herramienta cerca de sustancias inflamables ni en áreas donde se usen sustancias inflamables. Se podrían producir lesiones por el fuego y quemaduras.

5. Nunca enganche el seguro de husillo mientras la cuchilla esté operando, ni la enganche en un esfuerzo por detener la herramienta. Nunca encienda el interruptor cuando el seguro de husillo esté enganchado. Se podrían producir serios daños a su herramienta.

[Bloque de pilas]

Para un uso adecuado de la batería



Batería de Li-ión (EY9L40)

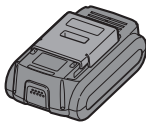
- Para una vida óptima de la batería, guarde la batería de Li-ión siguiendo el uso sin carga.
- Cuando cargue la caja de batería, confirme que los terminales en el cargador de batería estén libres de materias extrañas tales como polvo y agua, etc. Limpie los terminales antes de cargar la caja de batería si hay materias extrañas en los terminales.

La vida de los terminales de la caja de batería puede verse afectada por materias extrañas tales como polo y agua, etc. durante su funcionamiento.

- Cuando no se utiliza la batería, manténgala separada de otros objetos metálicos, como: clips de papel, monedas, llaves, clavos, tornillos u otros objetos metálicos pequeños que pueden actuar de conexión entre un terminal y el otro.

Un cortocircuito entre los terminales de la batería pueden ocasionar chispas, quemaduras o incendios.

- Cuando haga funcionar con la batería, asegúrese que el lugar de trabajo está bien ventilado.
- Cuando se saca la batería del cuerpo principal de la herramienta, vuelva a cerrar inmediatamente la cubierta de batería, para evitar que el polvo o la suciedad puedan ensuciar los terminales de batería y provocar un cortocircuito.



Vida útil de la batería

Las baterías recargables tienen una vida útil limitada. Si el tiempo de funcionamiento se acorta mucho tras la recarga, sustituya la batería por una nueva.

Reciclado de la batería

ATENCIÓN:

PARA batería Li-ión, EY9L40

La batería de Li-ión que compró es reciclable. Llame a **1-800-8-BATTERY** para información sobre el reciclado de esta batería.

[Cargador de la batería]

Carga

Precauciones para el paquete de baterías de Li-ión

- Si la temperatura del paquete de baterías cae aproximadamente bajo -10°C (14°F), la carga se detendrá automáticamente para evitar la degradación de la batería.

Precauciones comunes para las baterías Li-ión/Ni-MH/Ni-Cd

- La variación de temperatura ambiente es de entre 0°C (32°F) y 40°C (104°F). Si la batería se utiliza cuando la temperatura de la batería es inferior a 0°C (32°F), la herramienta puede no funcionar correctamente.
- Cuando se vaya a cargar una batería fría (unos 0°C (32°F) o menos) en un cuarto cálido, deje la batería en la habitación durante al menos una hora y cárguela cuando se haya calentado a la temperatura de la habitación.
- Deje que se enfríe el cargador al cargar más de dos baterías de forma consecutiva.
- No introduzca sus dedos dentro del hueco del contacto, cuando esté sujetando el cambiador o en ninguna otra ocasión.

PRECAUCIÓN:

Para impedir el riesgo de incendio o daños del cargador de batería.

- No utilice una fuente de alimentación de un generador motorizado.
- No tapone los orificios de ventilación del cargador y la batería.
- Desenchufe el cargador cuando no lo utilice.

Batería de Li-ión

NOTA:

Su batería no está totalmente cargada al momento de comprarla. Asegúrese de cargar la batería antes de utilizarla.

Cargador de batería(EY0L80)

1. Enchufe el cargador en la fuente de alimentación de CA.

NOTA:

Se pueden producir chispas cuando se inserta el enchufe en la alimentación eléctrica de CA pero este no es un problema en términos de seguridad.

2. Meta firmemente la batería en el cargador.
 1. Alinee las marcas de alineación y coloque la batería en el enchufe del cargador.
 2. Deslice hacia adelante en el sentido de la flecha.



3. La luz indicadora de carga permanecerá encendida durante la carga.

Cuando haya terminado la carga, se accionará automáticamente un conmutador electrónico interno para impedir cualquier sobrecarga.

- No podrá cargar la batería si ésta está todavía caliente (por ejemplo, inmediatamente después de haber trabajado mucho).

La luz de espera naranja seguirá destellando hasta que se enfríe la batería. La carga comenzará automáticamente.

4. La luz de carga (verde) destellará lentamente cuando la batería se haya cargado a un 80%.
5. Cuando se completa la carga, la luz de carga empezará a destellar rápidamente en color verde.
6. Si la temperatura de la batería es de 0°C o menos, la batería demora más en cargarse completamente que el tiempo de carga normal.

Incluso cuando la batería esté completamente cargada, tendrá aproximadamente 50% de la carga de una batería totalmente cargada a la temperatura de funcionamiento normal.
7. Si la luz de carga no se enciende inmediatamente después de enchufar el cargador o si la luz de carga no empieza a destellar rápidamente en verde después del tiempo de carga normal, consulte con un concesionario autorizado.
8. Si se vuelve a colocar una batería totalmente cargada en el cargador, se encenderá la luz de carga. Luego de algunos minutos, la lámpara de carga destellará rápidamente para indicar que la carga se ha completado.

Batería Ni-MH/Ni-Cd

NOTA:

Cargue una nueva batería, o una batería que no haya sido utilizado durante mucho tiempo durante 24 horas seguidas para que la batería se cargue totalmente.

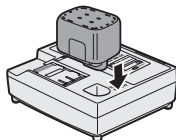
Cargador de batería (EY0L80)

1. Enchufe el cargador en la fuente de alimentación de CA.

NOTA:

Se pueden producir chispas cuando se inserta el enchufe en la alimentación eléctrica de CA pero este no es un problema en términos de seguridad.

2. Meta firmemente la batería en el cargador.



3. La luz indicadora de carga permanecerá encendida durante la carga.

Cuando haya terminado la carga, se accionará automáticamente un conmutador electrónico interno para impedir cualquier sobrecarga.

- No podrá cargar la batería si ésta está todavía caliente (por ejemplo, inmediatamente después de haber trabajado mucho).

La luz de espera naranja seguirá destellando hasta que se enfríe la batería. La carga comenzará automáticamente.

4. Cuando se completa la carga, la luz de carga empezará a destellar rápidamente en color verde.
5. Si la lámpara de carga no se enciende inmediatamente después de enchufar el cargador, o si después del tiempo de carga estándar, la lámpara no se apaga, consulte con un distribuidor autorizado.
6. Si se vuelve a colocar una batería totalmente cargada en el cargador, se encenderá la luz de carga. Luego de algunos minutos, la lámpara de carga destellará rápidamente para indicar que la carga se ha completado.

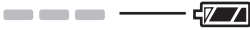
Indicación de la lámpara



Se enciende en verde
Se ha enchufado el cargador en la fuente de alimentación de CA. Está preparado para cargar.



Destella rápidamente en verde
La carga ha sido completada. (Carga completa.)



Destella en verde
La batería se cargó en aproximadamente 80%. (Carga utilizable sólo Li-ión)



Se enciende en verde
Ahora cargando.



Se enciende en naranja
La batería está fría.
La batería se está cargando lentamente para reducir la carga de la batería. (sólo Li-ión)



Destella en naranja
La batería está caliente. La carga comenzará cuando baje la temperatura de la batería.

Si la temperatura de la batería es de -10°C o menos, la luz de carga (naranja) también empezará a destellar. La carga empezará cuando sube la temperatura de la batería (sólo Li-ión).



Luz de estado de carga
Aparecerá Izquierda: verde Derecha: naranja



Destellan rápidamente en naranja y verde
No es posible realizar la carga. Existe un bloqueo de polvo o una falla de la batería.

X. MANTENIMIENTO

⚠ ADVERTENCIA

Para evitar lesiones personales severas, siempre remueva el paquete de baterías de la herramienta antes de comenzar cualquier procedimiento de mantenimiento.

PRECAUCIÓN:

Para asegurar la SEGURIDAD y FIABILIDAD del producto, el mantenimiento deberá realizarlo un centro de reparaciones autorizado. Insista siempre en recurrir a piezas de recambio genuinas de Panasonic.

Limpieza de la herramienta

Mantenga su herramienta limpia para tener un buen rendimiento de corte, y que mantenga su seguridad de uso.

Siga los pasos siguientes:

1. Extraiga el paquete de baterías de la herramienta.
2. Limpie la herramienta con un paño seco y suave. No use un paño húmedo ni líquidos de limpieza.

Éstos podrían dañar la terminación de la sierra.

3. Asegúrese de limpiar el aceite y la grasa que podrían hacer que la herramienta quedara resbalosa o difícil de manipular.
4. Quite la cuchilla y cepille el polvo.

PRECAUCIÓN:

Para evitar daños personales o de la unidad, no sumerja ninguna parte de la herramienta en ningún líquido.

Protector transparente

⚠ADVERTENCIA

Si la protección está quebrada, o rota, lleve la herramienta a un centro de servicio autorizado para reemplazo. No intente operar la sierra. Podría resultar en una lesión personal seria. Nunca use su herramienta con una protección transparente dañada o sin la protección transparente instalada. Las virutas volantes podrían resultar en lesiones serias.

XI. ACCESORIOS

⚠ADVERTENCIA

- El uso de cualquier otro accesorio no especificado en este manual puede causar incendios, golpes eléctricos o lesiones personales. Utilice sólo los accesorios recomendados.
- Utilizar una cuchilla para cortar un material más grueso o más delgado de lo recomendado para la cuchilla causará un corte basto, y podría incrementar el riesgo de una "reculada" u otro tipo de lesiones.

Cuchilla de punta de carburo para metal

- EY9PM13C
Para cortar material ferroso no endurecido
Espesor del material
0,5 mm – 6,0 mm (1/32" – 1/4")

Cuchilla de punta de carburo para metal delgado (accesorio opcional)

- EY9PM13D
Para cortar material delgado ferroso no endurecido que requiera de un borde de corte limpio
Espesor del material
0,5 mm – 6,0 mm (1/32" – 1/4")

Cuchilla de punta de carburo para madera (accesorio opcional)

- EY9PW13A
Para cortar madera en general

Cuchilla de punta de carburo para madera delgada (accesorio opcional)

- EY9PW13B
Para cortar madera delgada que requiera de un borde de corte limpio
Espesor recomendado del material hasta 12 mm

Cuchilla de punta de carburo para plástico (accesorio opcional)

- EY9PP13B
Para cortar plástico
Espesor recomendado para placas de material acrílico y cloruro de vinilo:
2,0 mm – 5,0 mm (5/64" – 3/16")
placas corrugadas, tuberías
0,8 mm – 5,0 mm (1/32" – 3/16")

Adaptador de manguera de aspiradora (accesorio opcional)

- EY9X012E

Guía de corte (accesorio opcional)

- EY3500B7727
Para conveniencia de cortes al hilo y corte repetido de ancho uniforme

XII. ESPECIFICACIONES

| | |
|-------------------------------|--|
| Tensión del motor | 14,4 voltios CC |
| Velocidad de la cuchilla | 3600 min ⁻¹ (rpm) |
| Tamaño de la cuchilla | |
| Diámetro exterior | 135 mm (5-3/8") |
| Tamaño del mandril | 20 mm (25/32") |
| Profundidad máximo de serrado | 0 – 46 mm (0" – 1-13/16") (hoja de ϕ 135 mm) |
| Longitud total | 329 mm (12-61/64") |
| Peso (con batería: EY9L40) | 2,65 kg (5,7 lbs) |

BATERÍA

| | |
|-----------------------|------------------------------------|
| Modelo | EY9L40 |
| Batería de almacenaje | Batería Li-ión |
| Tensión de batería | 14,4 voltios CC (3,6 V x 4 celdas) |
| Capacidad | 3 Ah |

CARGADOR DE BATERÍA

| | |
|---------|---|
| Modelo | EY0L80 |
| Régimen | Vea la placa de especificaciones en la parte inferior del cargador. |
| Peso | 0,95 kg (2,1 lbs) |

[Batería de Li-ión]

| Tiempo de carga | 3 Ah | 14,4 V | 21,6 V | 28,8 V |
|-----------------|------|---------------------|---------------------|---------------------|
| | | EY9L40 | EY9L60 | EY9L80 |
| | | Utilizable: 35 min. | Utilizable: 45 min. | Utilizable: 55 min. |
| | | Completa: 50 min. | Completa: 60 min. | Completa: 70 min. |

[Batería Ni-MH/Ni-Cd]

| | 7,2 V | 9,6 V | 12 V | 15,6 V | 18 V | 24 V | |
|-----------------|---------|------------------|------------------|----------------------------|---------|---------|------------------|
| Tiempo de carga | 1,2 Ah | EY9065 EY9066 | EY9080 EY9086 | EY9001 | | | |
| | 20 min. | | | | | | |
| | 1,7 Ah | | EY9180 EY9182 | EY9101 EY9103 | | | |
| | 25 min. | | | | | | |
| | 2 Ah | EY9168 | EY9188 | EY9106 EY9107 EY9108 | EY9136 | | EY9116 EY9117 |
| | 30 min. | | | | | 60 min. | |
| 3 Ah | | | EY9200 | EY9230 | | EY9210 | |
| | | | 45 min. | | | 90 min. | |
| 3,5 Ah | | | EY9201 | EY9231 | EY9251 | | |
| | | | 55 min. | | 65 min. | | |

NOTA: Este cuadro puede contener modelos no disponibles en su país.
Consulte el más reciente catálogo general.

PANASONIC CONSUMER ELECTRONICS COMPANY

One Panasonic Way, Secaucus, New Jersey 07094

EN, FR, ES

EY981045421 H2009

Printed in China

Download from Www.Somanuals.com. All Manuals Search And Download.

Free Manuals Download Website

<http://myh66.com>

<http://usermanuals.us>

<http://www.somanuals.com>

<http://www.4manuals.cc>

<http://www.manual-lib.com>

<http://www.404manual.com>

<http://www.luxmanual.com>

<http://aubethermostatmanual.com>

Golf course search by state

<http://golfingnear.com>

Email search by domain

<http://emailbydomain.com>

Auto manuals search

<http://auto.somanuals.com>

TV manuals search

<http://tv.somanuals.com>