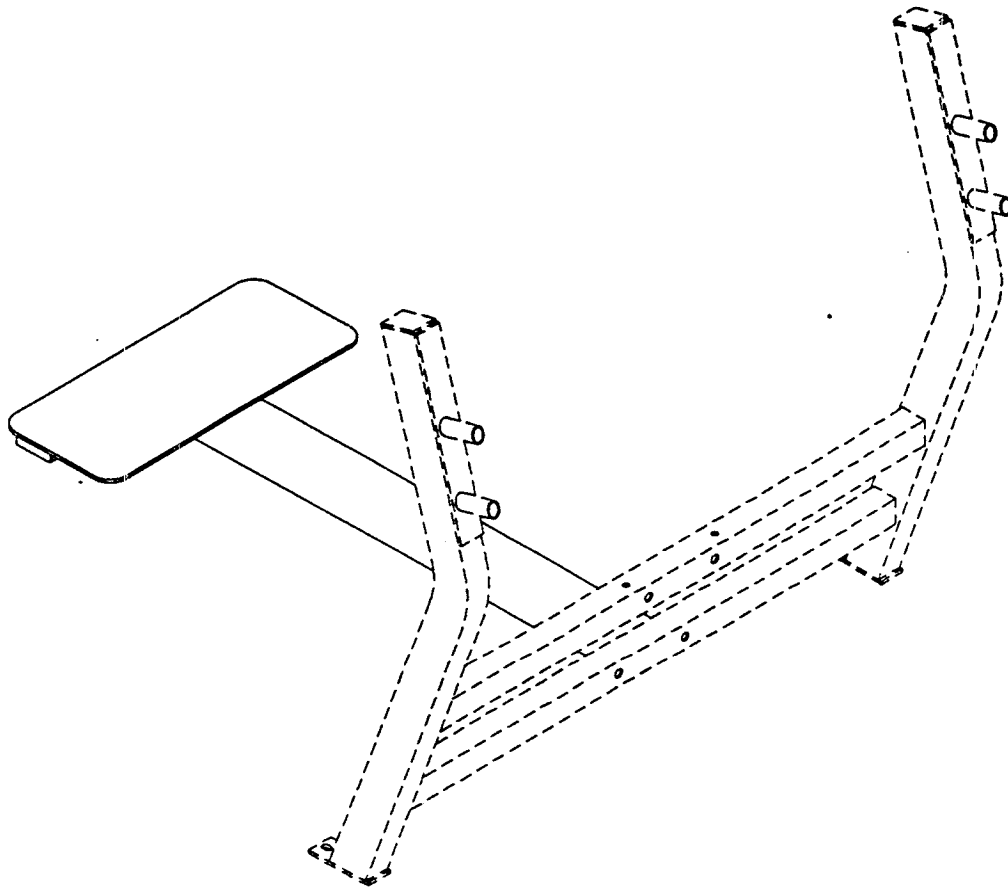


ParaBody
911101
SPOTTER STAND ATTACHMENT
ASSEMBLY INSTRUCTIONS



ParaBody, Incorporated
14150 Sunfish Lake Boulevard
Ramsey, MN 55303
1-800-328-9714

911101 SPOTTER STAND ATTACHMENT ASSEMBLY PARTS LIST

SORT AND COUNT ALL PARTS BEFORE BEGINNING ASSEMBLY

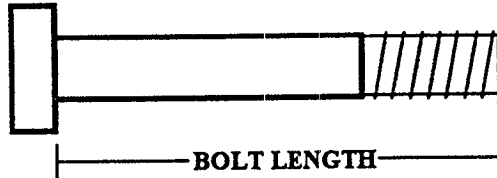
HARDWARE:

ITEM	NAME/DESCRIPTION	QTY
1.	1/2 X 3-1/4 IN BOLT	2
2.	3 X 2 IN END CAP	2

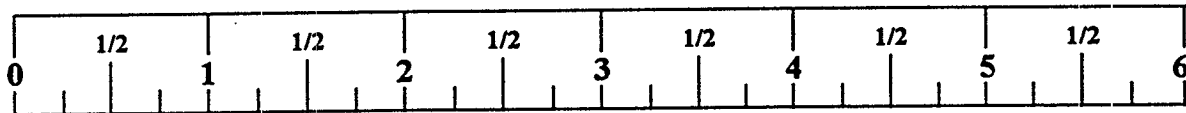
WELDMENTS/PARTS:

ITEM	NAME/DESCRIPTION	QTY
1.	SPOTTER STAND ATTACHMENT(6639002)	1

NOTE: BOLT LENGTH IS MEASURED FROM THE UNDERSIDE OF THE HEAD OF THE BOLT.



BOLT LENGTH RULER:



911101 SPOTTER STAND ATTACHMENT ASSEMBLY INSTRUCTIONS

THANK YOU

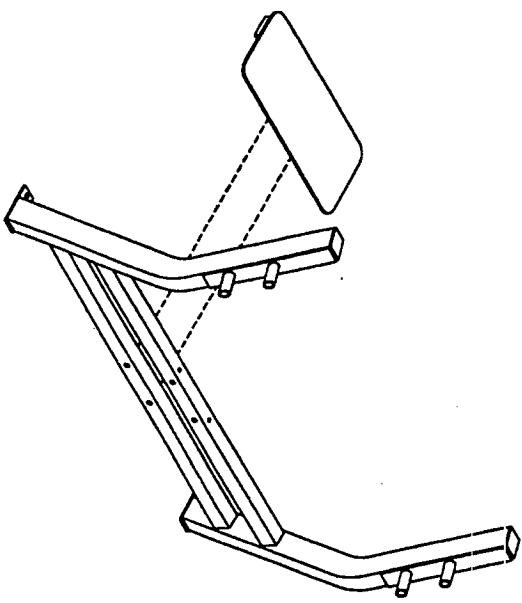
FOR PURCHASING THE 911101 SPOTTER STAND ATTACHMENT. PLEASE SAVE THESE ASSEMBLY INSTRUCTIONS FOR YOUR PERSONAL REFERENCE, AND ADDITIONAL SERVICE INFORMATION.

IMPORTANT

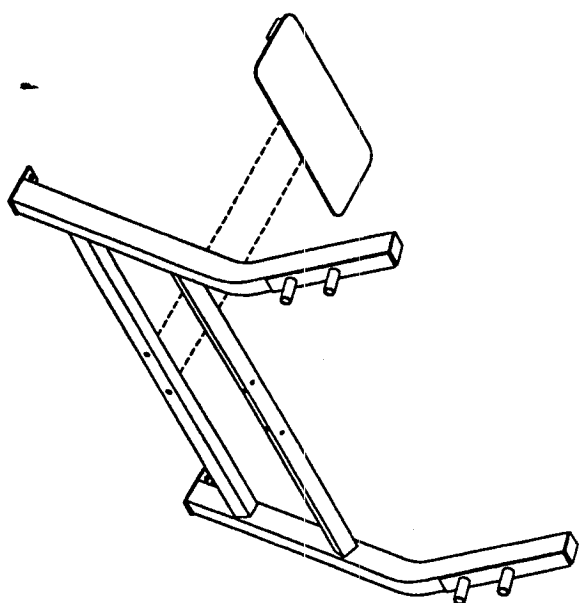
- IF YOU EXPERIENCE ANY PROBLEM WITH THE ASSEMBLY OF THIS PRODUCT, PLEASE CONTACT YOUR DEALER OR YOUR PARABODY CUSTOMER SERVICE REPRESENTATIVE AT: 1-800-328-9714
- TOOLS REQUIRED: RATCHET, 3/4 SOCKET and WRENCH, and RUBBER MALLET or HAMMER.

1. Loosen and remove hardware that attaches the **BENCH FRAME WELDMENT** to the **LOWER CROSS SUPPORT** of the **UPRIGHT FRAME WELDMENT**.
2. Insert two (2) 3 X 2 IN END CAPS into the ends of the **SPOTTER STAND ATTACHMENT** as shown on drawing.
3. **SECURELY** assemble the **SPOTTER STAND ATTACHMENT** to the **LOWER CROSS SUPPORT** of the **UPRIGHT FRAME WELDMENT** using the two 1/2 X 3-1/4 IN REPLACEMENT BOLTS, and the two (2) existing 1/2 IN LOCK NUTS as shown on drawing. (THE 1/2 IN WASHERS ARE NOT NEEDED FOR THIS ASSEMBLY)

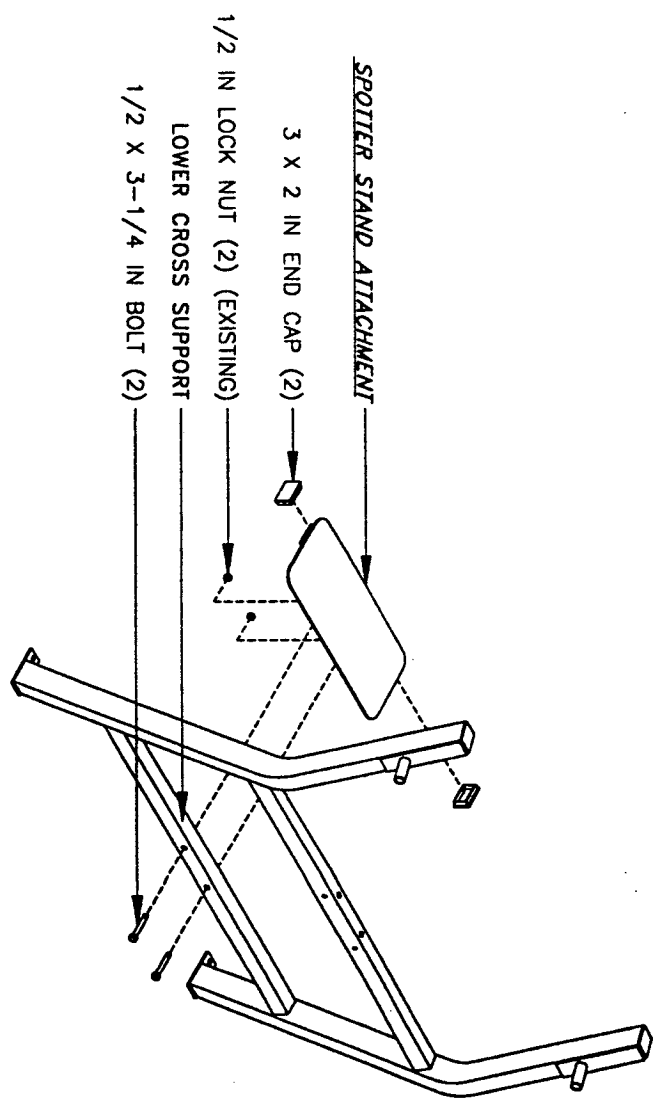
DASH NO	DESCRIPTION
01	AS SHOWN



910101 FLAT PRESS BENCH



920101 INCLINE PRESS BENCH



940101 SHOULDER PRESS BENCH

REVISIONS				
REV	DESCRIPTION	CHG NO	APP'D	DATE

TOLERANCES (EXCEPT AS NOTED)		TITLE	
DECIMAL	FRACTIONAL	ASSY INST, 911101	
PARABODY, INC. RAMSEY, MINNESOTA		SCALE	SIZE
		1/16	B
		SHEET 1 OF 1	DRAWING NO.
			66395
DR	MGN	9/88	CHK'D
			APP'D
			MGN
			5/92

Free Manuals Download Website

<http://myh66.com>

<http://usermanuals.us>

<http://www.somanuals.com>

<http://www.4manuals.cc>

<http://www.manual-lib.com>

<http://www.404manual.com>

<http://www.luxmanual.com>

<http://aubethermostatmanual.com>

Golf course search by state

<http://golfingnear.com>

Email search by domain

<http://emailbydomain.com>

Auto manuals search

<http://auto.somanuals.com>

TV manuals search

<http://tv.somanuals.com>