

# Paradigm<sup>®</sup>

OWNERS MANUAL



**CINEMA<sup>™</sup>**  
**SPEAKER SYSTEMS**

**IMPORTANT: Please read before wall mounting speakers.**



Wall mount speakers securely enough that they cannot fall and cause personal injury or damage to property. Use safety straps (if included). Detailed information on attaching the safety straps is included in the section on Wall Mounting later in the manual.



Paradigm DOES NOT supply hardware for mounting speakers to the wall. Hardware shown in this manual is for example only and will vary depending on the wall type. Always use screws appropriate for wall type and weight of speakers.



If installing into drywall, install into 1/2" (13 mm) or 5/8" (16 mm) drywall only. Screws must be long enough to go through anchor bolts (not supplied) and firmly into drywall (see inset circle, page 12).

**NON LIABILITY:** We are aware that the wall-mounting assemblies provided for Cinema speakers could be used for purposes and in ways other than those for which they were intended. The manufacturer, distributor, retailer and their respective agents cannot be held responsible or liable for injuries or property damage—direct, indirect or consequential—arising from the use of or inability to use these products safely and properly. Every effort has been made to provide accurate, error-free installation instructions. Paradigm Electronics Inc. disclaims liability for difficulties that may arise from the misinterpretation of information contained in these instructions.



**RECYCLING AND REUSE GUIDELINES (Europe)**

In accordance with the European Union WEEE (Waste Electrical and Electronic Equipment) directive effective August 13, 2005, we would like to notify you that our speakers may contain regulated materials which, upon disposal, require special reuse and recycling processing. For this reason Paradigm Electronics Inc. (the manufacturer of Paradigm speakers and Anthem electronic products) has arranged with its distributors in European Union member nations to collect and recycle this product at no cost to you. To find your local distributor please contact the dealer from whom you purchased this product or go to our website at [www.paradigm.com](http://www.paradigm.com).

Please note that only the product falls under the WEEE directive. When disposing of packaging and other shipping material we encourage you to recycle through the normal channels.



**Thank you for choosing award-winning Cinema™ speakers and congratulations.** You are about to hear the difference these sonically accurate speakers will make in your music and home theater system. They are the product of countless hours of comprehensive research and development and will reward you with exceptional sound for many years.

To ensure proper installation please read this manual and follow all instructions. If you have further questions contact your Authorized Paradigm® Dealer or visit the Q&A page on our website at [www.paradigm.com](http://www.paradigm.com).

**TABLE OF CONTENTS**

Your New Speakers ..... 3  
How to Avoid Speaker Damage ..... 3  
Speaker Placement ..... 3  
Stand Mounting ..... 6  
Wall Mounting ..... 8  
Speaker Connection ..... 13  
Troubleshooting Guide ..... 14  
Technical Specifications ..... 15  
Limited Warranty ..... 17



## YOUR NEW SPEAKERS

Paradigm Cinema speakers are ideally suited to a variety of lifestyle applications. They are designed to allow easy installation throughout your home. To ensure the best performance possible we strongly recommend that you observe the placement guidelines provided in the "Speaker Placement" section.

### Cleaning

Do not use a strong or abrasive cleaner on your speakers. Clean them with a soft damp cloth but do not get them wet.

### On Stands or Wall Mounting

We include tabletop/shelf stands (supports) and wall-mounting brackets for Cinema speakers (*varies by model*). See the illustrations later in the manual for how to mount them to stands and wall brackets. Paradigm floorstanding stands are also available for your new Cinema 100s at an additional charge (see *your dealer for more information*).

**IMPORTANT!** If wall mounting take extra care during the installation process—always use the safety straps (*if included*) as secondary restraints.

---

## HOW TO AVOID SPEAKER DAMAGE

**Use an appropriate amplifier.** At high volumes, a very powerful amplifier can overdrive your speakers and damage them. On the other hand, if your amplifier isn't powerful enough, it can produce clipping distortion that can easily damage high-frequency drivers (*see dealer*).

**Don't be fooled by your amplifier's volume control.** It adjusts listening level—it does not indicate power output. If your speakers begin to sound harsh or grating, or if you hear the bass breaking up turn the volume down immediately or you will damage your speakers! **This type of damage constitutes abuse and is not covered by warranty!**

**Tone controls and equalizers** can demand even more power from an amplifier, lowering the point at which it produces clipping distortion. Use them sparingly, if at all, and do not use them when listening at loud levels.

---

## SPEAKER PLACEMENT

The following placement guidelines will help you get the best performance from your Cinema speakers. Illustrations showing you how to attach speakers to stands and wall-mounting brackets are provided in the section following this one. For the **Cinema™ Trio**, follow placement instructions provided in the illustration on page 5.

### Front Speakers (Left/Right)

#### On the Stands (*See illustration opposite*)

For the most accurate timbral balance, place your front speakers so that their high-frequency drivers (tweeters) point toward the listening area and sound arrives at approximately ear level.

#### On the Wall (*See illustration opposite*)

Follow the placement directions provided in the paragraph above.



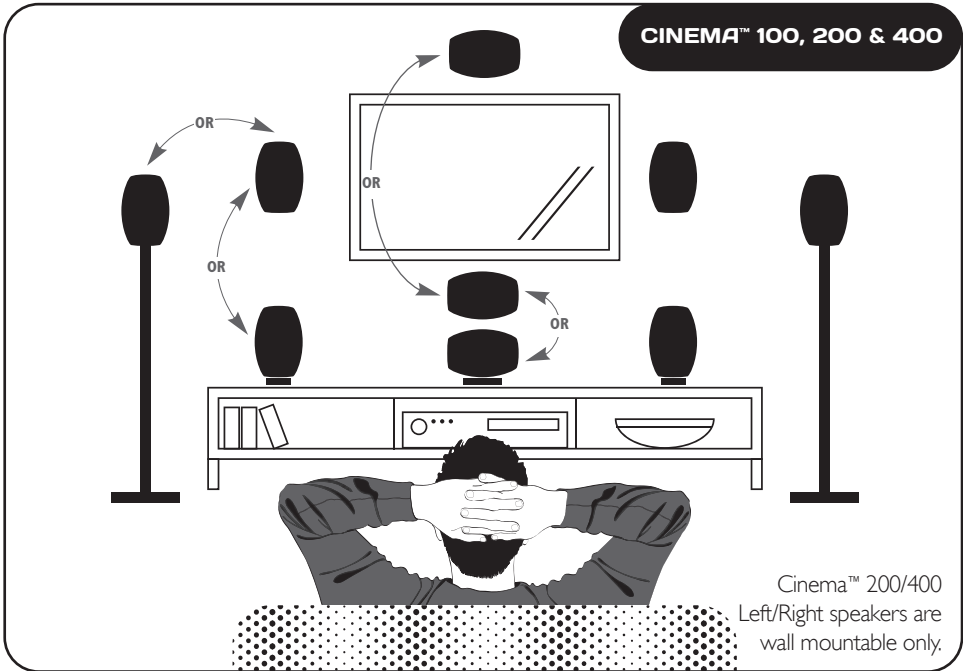
## Center Speaker

### On the Stand (see illustration below)

Place the center speaker on its stand below the display so that sound arrives as close to ear level as possible. The speaker should sit about the same distance away from the listening area as the front speakers. (Some receivers and processors electronically adjust for differences in distance between speakers... check to see if yours does.)

### On the Wall (see illustration below)

Place the center speaker above or below the display, whichever position brings sound closest to ear level. It should sit about the same distance away from the main listening areas as the front speakers. (See note above about electronic adjustments for distance.)



## Surround and Rear Speakers

When used as surround/rear speakers, Cinema speakers should be kept well away from the listening area for optimal surround-sound performance (as shown on next page). They can be placed on stands (supports) or on the wall, following the assembly directions provided for the appropriate model.

### 5.1 Surround Configuration (5.1 requires 5 speakers plus a subwoofer)

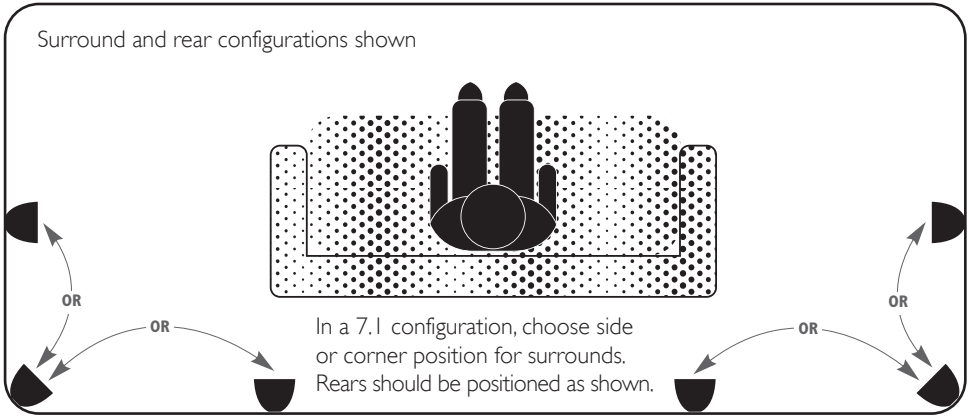
Position speakers on each side, corner, or rear of the listening area as shown on next page.

### 7.1 Surround Configuration (7.1 requires 7 speakers plus a subwoofer)

Position one surround speaker on each side or corner of the listening area as shown on the next page. Position additional rear speakers behind the listening area—one slightly to the right, the other slightly to the left, also as shown on next page.

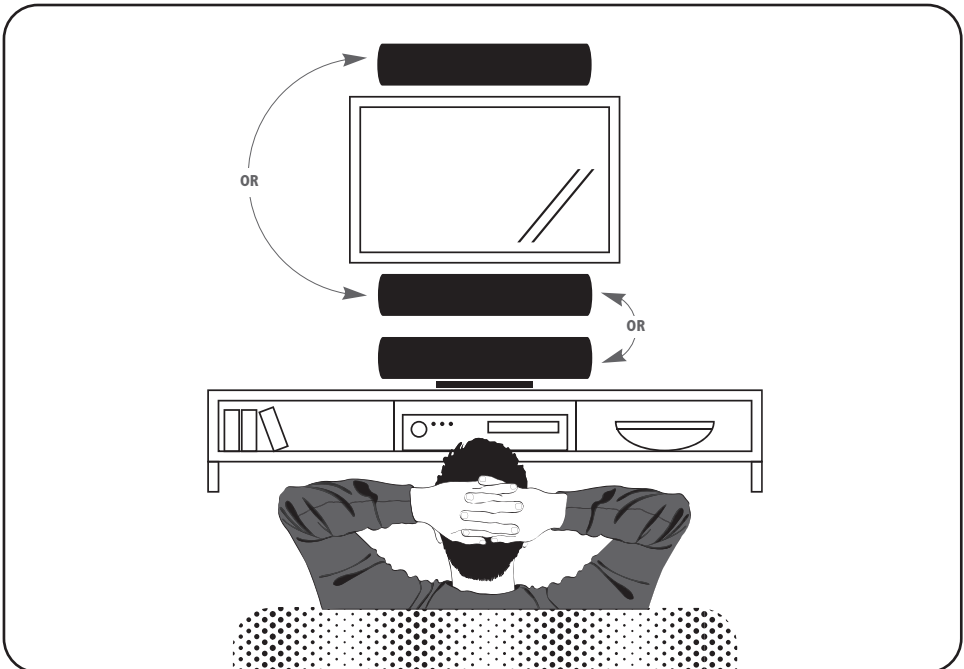


## SPEAKER PLACEMENT (CONTINUED)



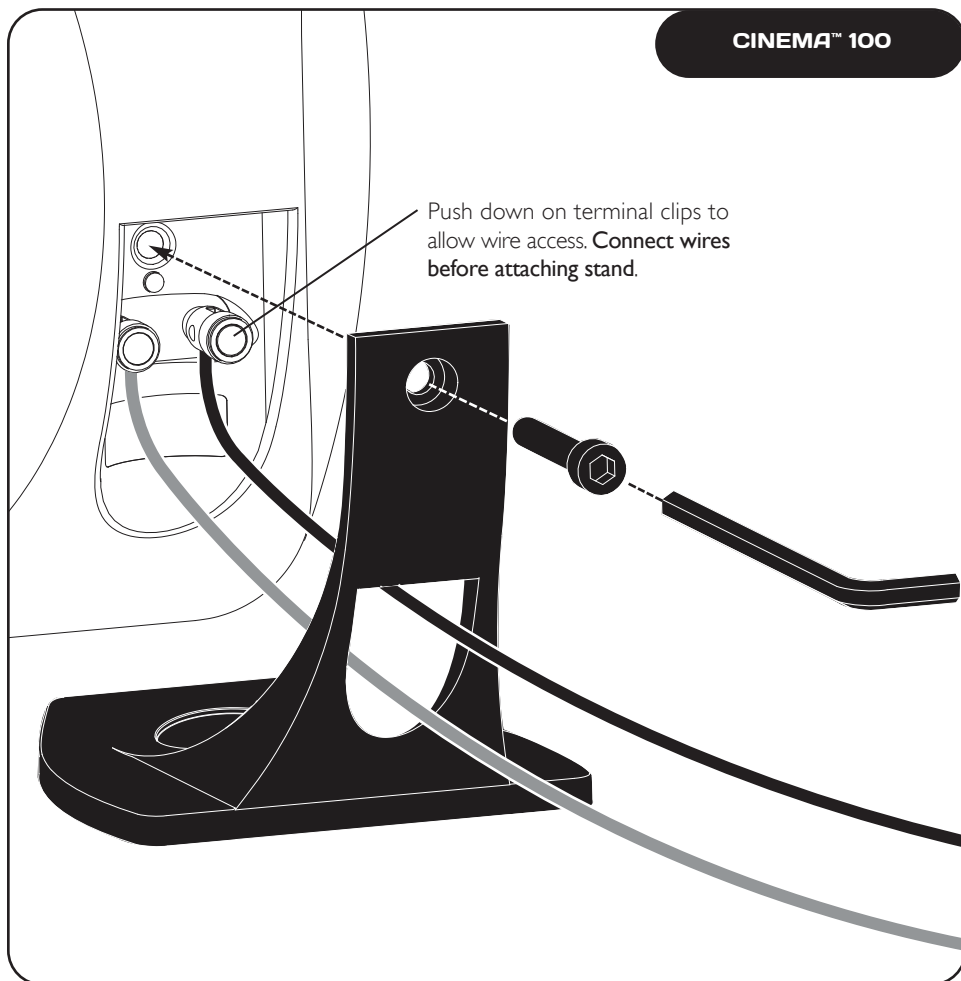
### Cinema Trio (Front/Left/Center speakers in one unit)

Place the speaker above or below the display, whichever position brings sound closest to ear level. If also using surround/rear speakers follow the directions for correct placement provided earlier.



## STAND MOUNTING (ALL HARDWARE INCLUDED)

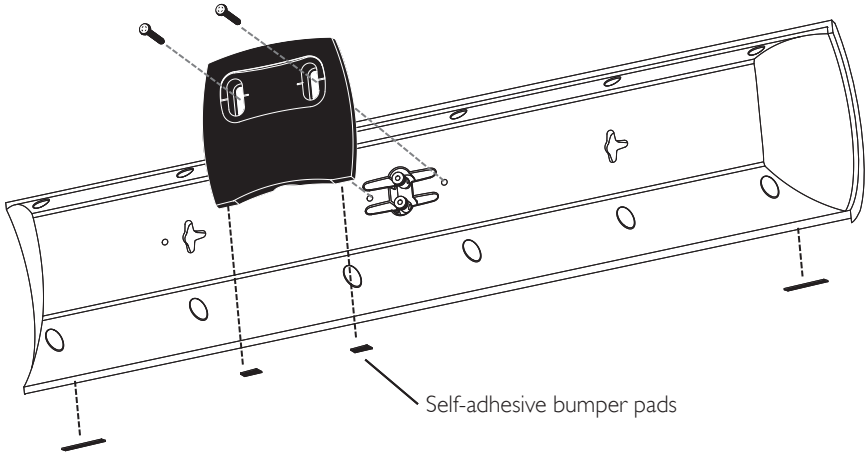
CINEMA™ 100



## STAND MOUNTING (CONTINUED)

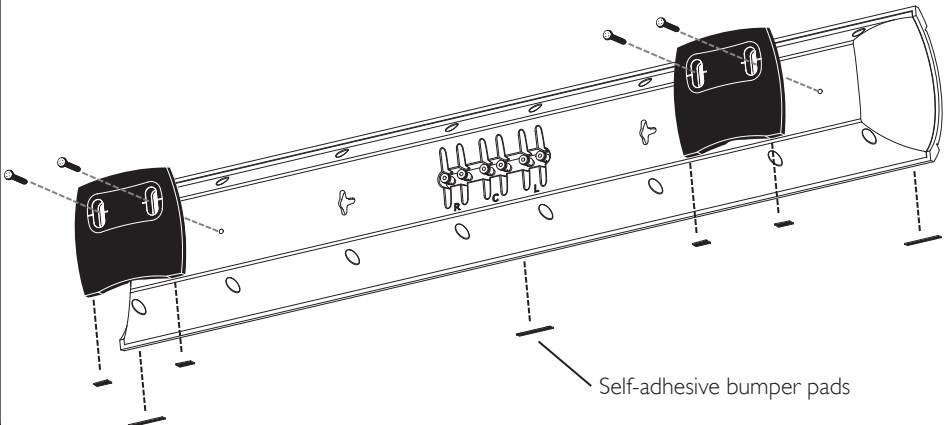
Stand is only used when speaker is in a horizontal configuration

**CINEMA™ 200 & 400**



Stands are only used when speaker is in a horizontal configuration

**CINEMA™ TRIO**

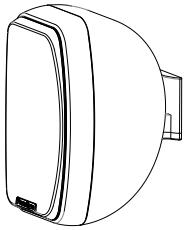




# WALL MOUNTING

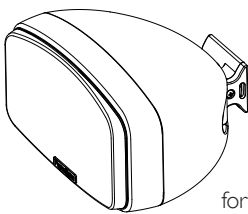
If you are not comfortable performing the following procedures, have a professional perform the installation (see your Authorized Paradigm® Dealer about hiring a professional).

**Vertical:**  
Speakers tilt left/right to further improve stereo imaging

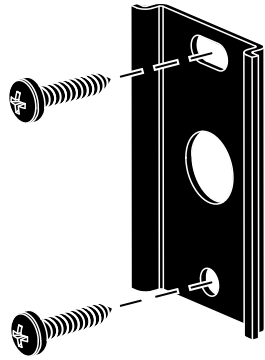


**CINEMA™ 100**

**Horizontal:**  
Speaker tilt up/down for optimal dialog clarity

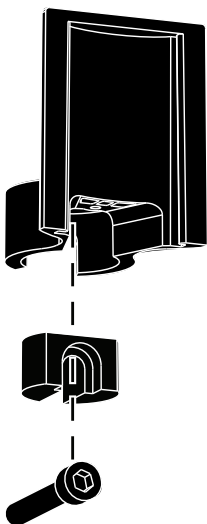


Attach bracket to wall (screws not supplied)

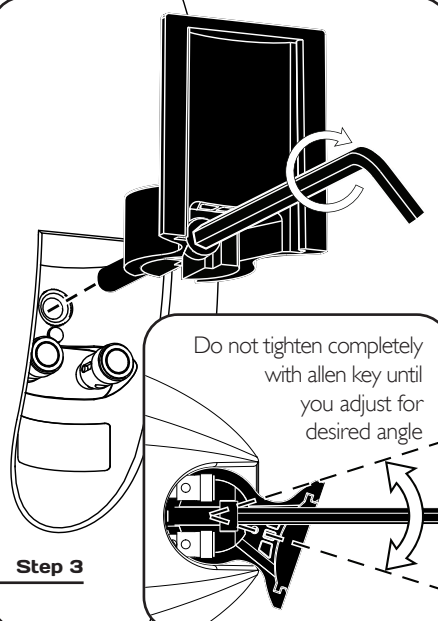


**Step 1**

Assemble all parts before moving to Step 3



**Step 2**



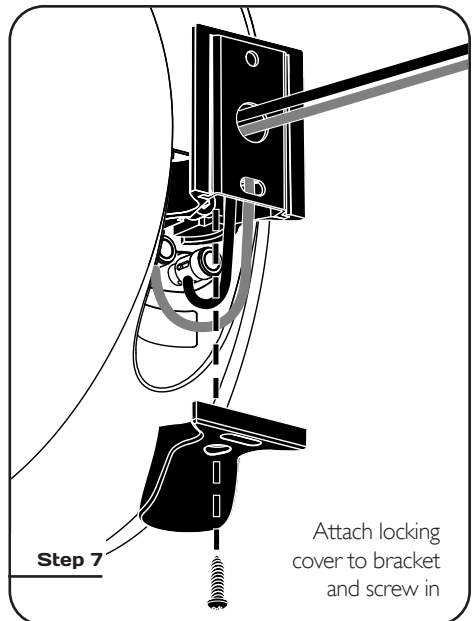
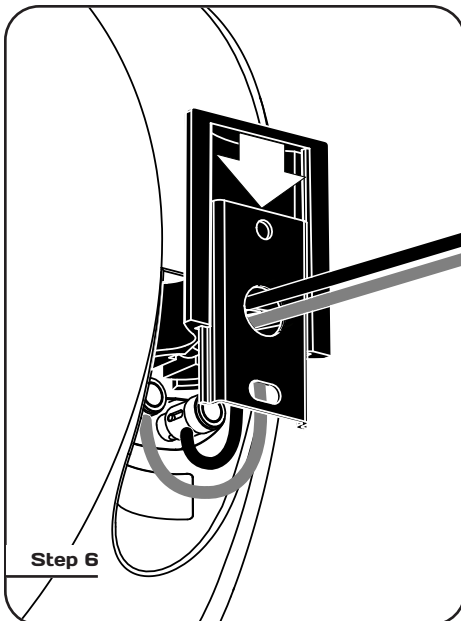
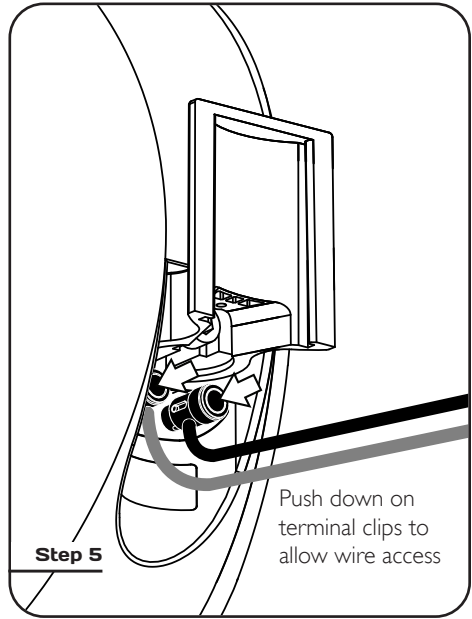
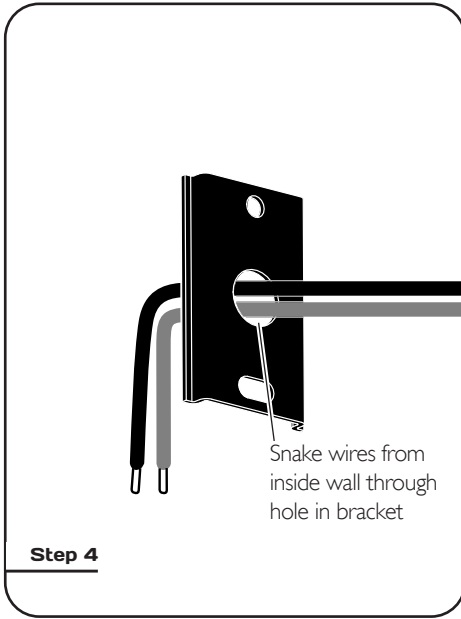
Do not tighten completely with allen key until you adjust for desired angle

**Step 3**

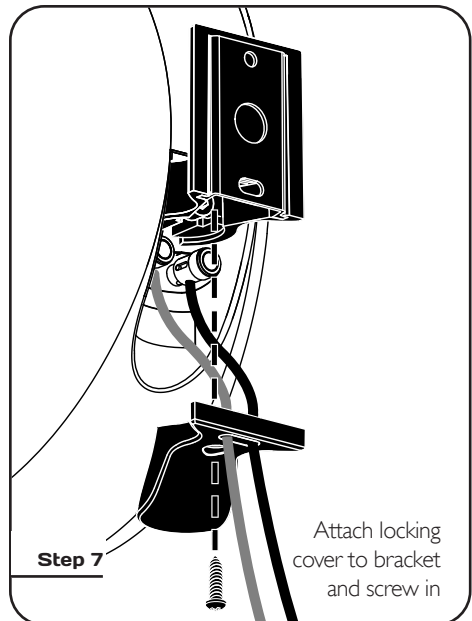
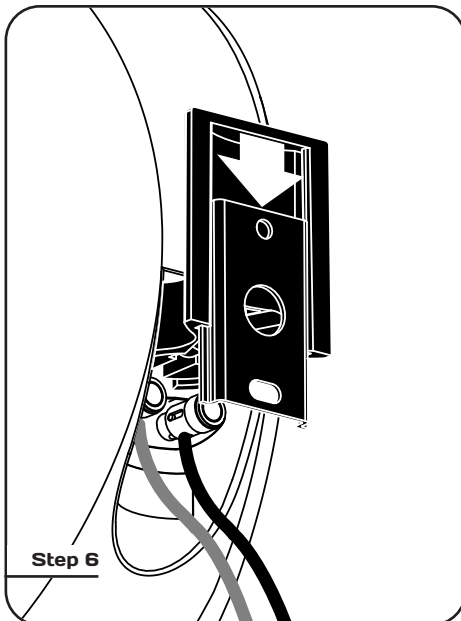
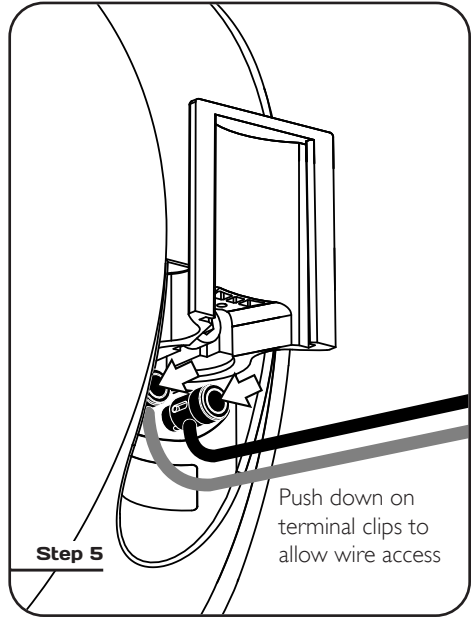
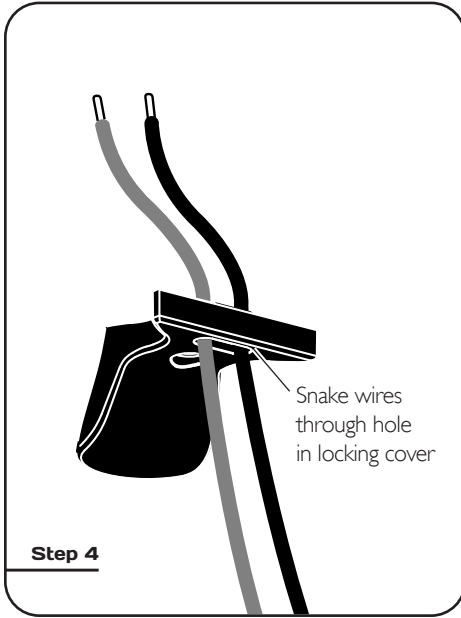


# WALL MOUNTING (CONTINUED)

## WIRING INSIDE THE WALL

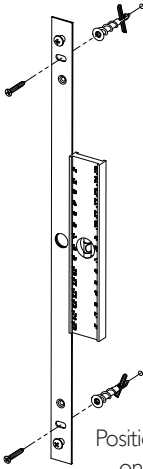


## WIRING ALONG THE WALL



## WALL MOUNTING (CONTINUED)

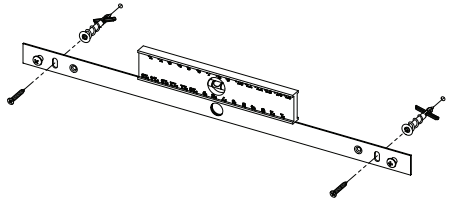
### VERTICAL MOUNTING FOR CINEMA™ 200, 400 & TRIO



Position bracket vertically on wall as shown, then follow the steps for horizontal positioning.

### HORIZONTAL MOUNTING FOR CINEMA™ 200, 400 & TRIO

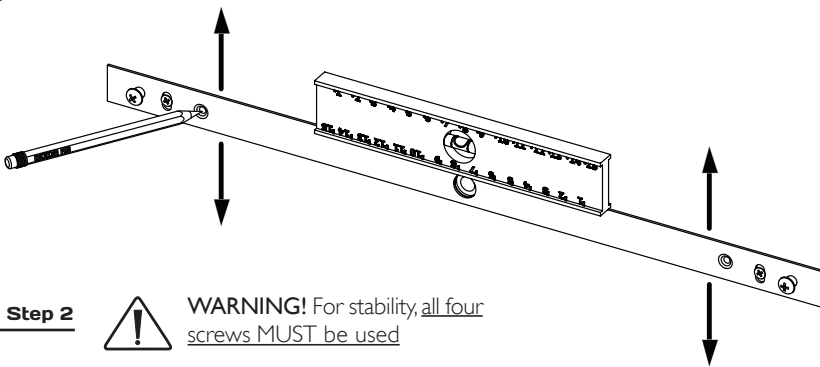
Wall screws not supplied



**NOTE:** This step is for positioning only. Screws will be removed in next step to allow installation of additional anchor bolts

**Step 1**

Position bracket and ensure it is level. Mark the two center screw holes. Drill pilot holes, then press anchor bolts firmly into drywall and screw in. Follow with flathead screws: **DO NOT SCREW ALL THE WAY IN AT THIS POINT**—leave screw heads protruding slightly.



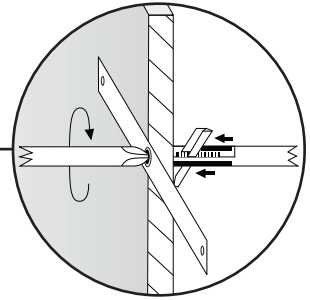
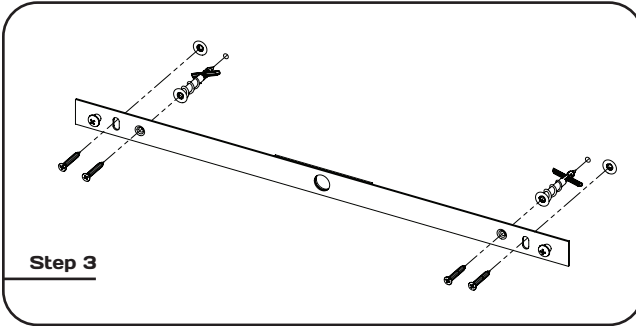
**Step 2**



**WARNING!** For stability, all four screws MUST be used

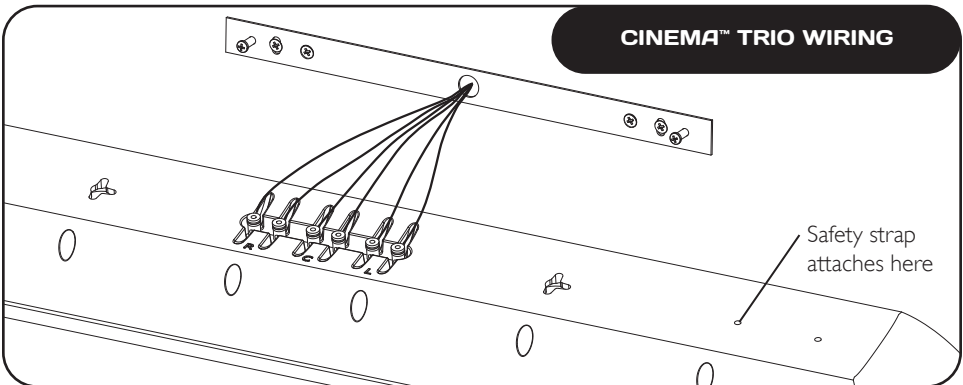
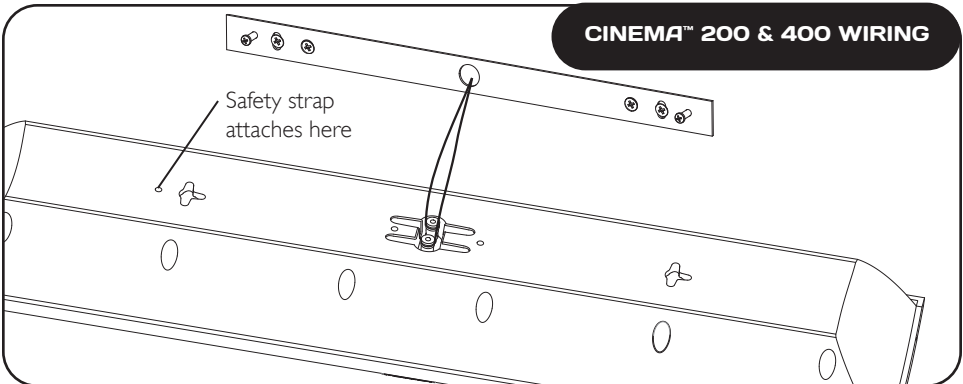
Bracket is slotted (see illustration), to allow further adjustment up or down, if necessary. Re-check to ensure bracket is level. Mark inner screw holes.



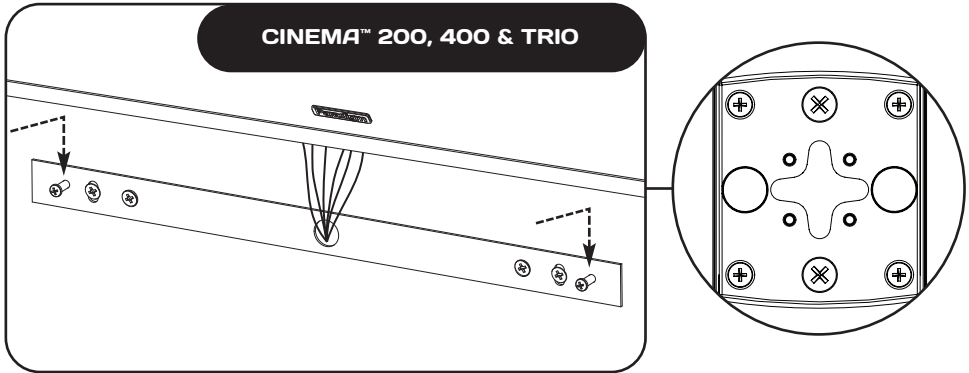


Remove the two flathead screws (*not shown*). Drill inner pilot holes, then press anchor bolts firmly into drywall and screw in. Now insert all four flathead screws and tighten.

**WARNING!** All screws must be inserted straight and fully tightened to ensure correct operation of anchor bolts.



## WALL MOUNTING (CONTINUED)



Align keyhole slots (see inset) on rear of speaker with protruding screw heads on the bracket, then using an "in and down" motion mount speaker on bracket.

## SPEAKER CONNECTION



Turn your amplifier OFF before connecting speakers. This will avoid damage which could result from accidental shorting of speaker cables.

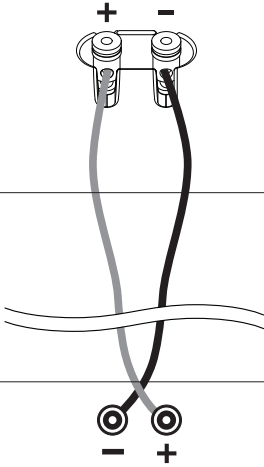
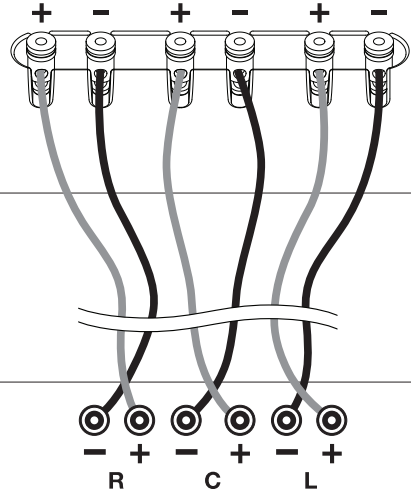
The following chart identifies the minimum gauge requirements for various cable lengths:

MINIMUM GAUGE REQUIREMENTS		
LENGTH	DIAMETER	GAUGE
Under 4.5 m (15 ft)	1.3 mm (0.05 in)	16 awg
Under 9 m (30 ft)	1.6 mm (0.06 in)	14 awg
Over 9 m (30 ft)	2.0 mm (0.08 in)	12 awg

Your speakers are equipped with binding posts that can be used with pin connectors, as well as with bare wire. Refer to the diagram below and using high-quality speaker cable (see *your dealer*), connect one speaker at a time to your receiver/amplifier: Connect the red (+) amplifier terminal to the red (+) speaker terminal and the black (-) to the black (-) (see *next page*). Push binding posts to secure.

Turn your amplifier on and listen to your speakers. If you notice a complete lack of mid-bass and a dislocated image, one or more of your speakers may be connected out-of-phase (their polarity is reversed). Re-check to ensure that each speaker's cable is connected with correct polarity: red (+) to red (+) and black (-) to black (-). Make sure wires are firmly fastened. Push binding posts to secure.



**CINEMA™ 100, 200 & 400****CINEMA™ TRIO****TROUBLESHOOTING GUIDE**

PROBLEM	SOLUTION
No Sound	<ul style="list-style-type: none"> <li>• Make sure receiver, preamp or amplifier is plugged in and turned on. Check power outlet at the wall is working.</li> <li>• Are headphones plugged in, or is the system on Mute?</li> <li>• Re-check all connections.</li> </ul>
No Sound from One or More Speakers	<ul style="list-style-type: none"> <li>• Check your balance control or VC-150 Volume Control (if using).</li> <li>• Check that all power cords are properly plugged in and functioning</li> <li>• Swap a non-working speaker with one that works to determine if the problem is with the speaker or something else (i.e. wiring, amplifier).</li> </ul>
Lack of Bass or Dislocated Image	<ul style="list-style-type: none"> <li>• One or more speakers may be connected out of phase (their polarity is reversed).</li> <li>• Re-check to ensure that each speaker's cable is connected with correct polarity: red (+) to red (+) and black (-) to black (-).</li> </ul>



## TECHNICAL SPECIFICATIONS

	CINEMA™ 100	CINEMA™ 200
Design	2-driver; 2-way acoustic suspension, stand-mounted / wall-mounted	3-driver; 2-way LCR, acoustic suspension, on-wall with option to sit center speaker on a table or shelf with supports included
Crossover(s)	2nd-order electro-acoustic at 1.8 kHz	2nd-order electro-acoustic at 1.8 kHz
High-Frequency Driver(s)	25-mm (1 in) S-PAL™ satin-anodized pure-aluminum dome, ferro-fluid damped and cooled	25-mm (1 in) S-PAL™ satin-anodized pure-aluminum dome, ferro-fluid damped and cooled
Bass / Midrange Driver(s)	90-mm (3-1/2 in) mineral-filled polypropylene cone, 25-mm (1 in) high-temperature voice coil, oversize ceramic / ferrite magnets	Two 90-mm (3-1/2 in) mineral-filled polypropylene cones, 25-mm (1 in) high-temperature voice coil, oversize ceramic / ferrite magnets
Bass Driver(s)	n/a	n/a
Low-Frequency Extension*	85 Hz (DIN)	80 Hz (DIN)
Frequency Response: <i>On-Axis</i> <i>30° Off-Axis</i>	±2 dB from 125 Hz – 20 kHz ±2 dB from 125 Hz – 15 kHz	±2 dB from 120 Hz – 20 kHz ±2 dB from 120 Hz – 15 kHz
Sensitivity – Room / Anechoic	88 dB / 85 dB	90 dB / 87 dB
Suitable Amplifier Power Range	15 – 100 watts	15 – 150 watts
Maximum Input Power†	50 watts	70 watts
Impedance	Compatible with 8 ohms	Compatible with 8 ohms
Dimensions (h x w x d)	21.2 cm x 12.2 cm x 15.7 cm 8-3/8 in x 4-13/16 in x 6-3/16 in	50.5 cm x 16.1 cm x 10.4 cm 19-7/8 in x 6-5/16 in x 4-1/16 in
Weight (unpacked)	1.8 kg / 4.0 lb per speaker (with stand)	3.7 kg / 8.3 lb per speaker
Finishes	Black Gloss	Black Gloss





	CINEMA™ 400	CINEMA™ TRIO
Design	5-driver; 2-1/2-way LCR, acoustic suspension, on-wall with option to mount center configuration on table or shelf	All-in-one left / right / center: 7-driver; 3-channel, 2-way, acoustic suspension
Crossover(s)	2nd-order electro-acoustic at 2.1 kHz; 2nd-order electro-acoustic at 500 Hz (bass drivers)	2nd-order electro-acoustic at 1.8 kHz
High-Frequency Driver(s)	25-mm (1 in) S-PAL™ satin-anodized pure-aluminum dome, ferro-fluid damped and cooled	Three 25-mm (1 in) S-PAL™ satin-anodized pure-aluminum domes, ferro-fluid damped and cooled
Bass / Midrange Driver(s)	Two 90-mm (3-1/2 in) mineral-filled polypropylene cones, 25-mm (1 in) high- temperature voice coil, oversize ceramic / ferrite magnets	Four 90-mm (3-1/2 in) mineral-filled polypropylene cones, 25-mm (1 in) high- temperature voice coil, oversize ceramic / ferrite magnets
Bass Driver(s)	Two 90-mm (3-1/2 in) mineral-filled polypropylene cones, 25-mm (1 in) high- temperature voice coil, oversize ceramic / ferrite magnets	n/a
Low-Frequency Extension*	75 Hz (DIN)	85 Hz (DIN)
Frequency Response: <i>On-Axis</i> <i>30° Off-Axis</i>	±2 dB from 115 Hz – 20 kHz ±2 dB from 115 Hz – 15 kHz	±2 dB from 125 Hz – 20 kHz ±2 dB from 125 Hz – 15 kHz
Sensitivity – Room / Anechoic	95 dB / 92 dB	89 dB / 86 dB
Suitable Amplifier Power Range	15 – 200 watts	15 – 150 watts
Maximum Input Power†	100 watts	70 watts per channel
Impedance	Compatible with 8 ohms	Compatible with 8 ohms
Dimensions (h x w x d)	67.0 cm x 16.1 cm x 10.4 cm 26-3/8 in x 6-5/16 in x 4-1/16 in	16.1 cm x 91.5 cm x 10.4 cm 6-5/16 in x 36 in x 4-1/16 in
Weight (unpacked)	5.8 kg / 12.8 lb per speaker	7.6 kg / 16.8 lb per speaker
Finishes	Black Gloss	Black Gloss

\* DIN 45 500 Indicates -3 dB in a typical listening room.

† With typical program source, provided the amplifier clips no more than 10% of the time.



## LIMITED WARRANTY

Paradigm® speakers covered in this manual are warranted to be and remain free of manufacturing and/or material defects for a period of **five (5)** years from the date of original purchase.

Within the time periods specified, repair, replacement or adjustment of parts for manufacturing and/or material defects will be free of charge to the original owner.

### **Thermal Or Mechanical Abuse/Misuse Is Not Covered Under Warranty.**

#### **Limitations:**

- Warranty begins on date of original retail purchase from an Authorized Paradigm® Dealer only. It is not transferable
- Warranty applies to product in normal home use only. If product is subjected to any of the conditions outlined in the next section, warranty is void
- Warranty does not apply if the product is used in professional or commercial applications

#### **Warranty is Void if:**

- The product has been abused (intentionally or accidentally)
- The product has been used in conjunction with unsuitable or faulty equipment
- The product has been subjected to damaging signals, derangement in transport, mechanical damage or any abnormal conditions
- The product (including cabinet) has been tampered with or damaged by an unauthorized service facility
- The serial number has been removed or defaced

#### **Owner Responsibilities:**

- Provide normal/reasonable operating care and maintenance
- Provide or pay for transportation charges for product to service facility
- Provide proof of purchase (your sales receipt given at time of purchase from your Authorized Paradigm® Dealer must be retained for proof-of-purchase date)

Should servicing be required, contact your nearest Authorized Paradigm® Dealer; Paradigm Electronics Inc. or Import Distributor (outside the U.S. and Canada) to arrange, bring in or ship prepaid, any defective unit. Visit our website, [www.paradigm.com](http://www.paradigm.com) for more information.

Paradigm Electronics Inc. reserves the right to improve the design of any product without assuming any obligation to modify any product previously manufactured.

This warranty is in lieu of all other warranties expressed or implied, of merchantability, fitness for any particular purpose and may not be extended or enlarged by anyone. In no event shall Paradigm Electronics Inc., their agents or representatives be responsible for any incidental or consequential damages. Some jurisdictions do not allow limitation of incidental or consequential damages, so this exclusion may not apply to you.

*Retain this manual and your sales receipt for proof of warranty term and proof of purchase.*



# Paradigm<sup>®</sup>

MODE D'EMPLOI



**CINEMA<sup>MC</sup>**  
SYSTEMÈS D'ENCEINTES

**IMPORTANT : veuillez lire cette section avant de monter les enceintes sur un mur.**



Fixez les enceintes de façon sécuritaire pour ne pas qu'elles tombent et causent des blessures ou des dommages. Lorsque vous les monter sur un mur, vous devez utiliser des courroies de sécurité (*ci comprises*) dans le manuel.



Paradigm **NE FOURNIT PAS** le matériel pour monter les enceintes sur un mur. Le matériel de montage illustré l'est à titre d'exemple uniquement; le matériel variera en fonction du type de mur.



Effectuez l'installation dans une cloison sèche de 1/2 po (13 mm) ou de 5/8 po (16 mm) uniquement. Les vis doivent être assez longues pour traverser les boulons d'ancrage et bien se fixer dans la cloison sèche (*voir le médaillon, page 12*).

**NON-RESPONSABILITÉ** : nous savons que les pièces pour le montage au mur fournies avec les enceintes Cinema peuvent être utilisées à des fins et de façons autres que celles pour lesquelles elles sont conçues. Le fabricant, le distributeur, le revendeur et leurs agents respectifs ne peuvent être tenus responsables de blessures ou dommages directs, indirects ou consécutifs découlant de l'utilisation de ces pièces ou de l'incapacité de les utiliser de façon sûre et convenable. Tous les efforts ont été déployés afin de fournir des instructions d'installation exactes et exemptes d'erreurs. Paradigm Electronics Inc. décline toute responsabilité concernant des difficultés pouvant découler d'une interprétation incorrecte des renseignements fournis dans le présent manuel.



**DIRECTIVES EUROPEENNES SUR LE RECYCLAGE ET LE TRAITEMENT DES DECHETS**

Dans le respect de la directive WEEE (Waste Electrical & Electronic Equipment) mise en place par les institutions Européennes à compter du 13 Août 2005, nous souhaitons vous informer que nos enceintes peut contenir des matières devant faire l'objet d'une procédure de recyclage ou de traitement approprié des déchets. Dans cette optique, Paradigm Electronics Inc (fabricant des enceintes Paradigm et des électroniques Anthem) avec ses Distributeurs agréés dans l'Union Européenne, ont mis en place une procédure de collecte et de retraitement gratuite. Pour en savoir davantage sur cette procédure veuillez contacter votre revendeur, ou notre Distributeur dans votre pays (vous en obtiendrez les coordonnées sur simple demande ou en consultant notre site internet [www.paradigm.com](http://www.paradigm.com)).

Notez que seul le produit fini est concerné par cette directive et ses obligations. S'agissant de son emballage et de ses accessoires de transport nous vous recommandons de les recycler selon les procédures mises en place par votre commune ou votre département.



**Félicitations! Nous vous remercions d'avoir choisi les enceintes primées Cinema<sup>MC</sup>.**

Vous allez entendre la différence que confrent ces enceintes de pointe haut de gamme à votre système audio ou de cinéma maison. Elles sont le produit d'innombrables heures de recherche et de développement approfondis et vous fourniront un son haut de gamme de qualité supérieure pendant de nombreuses années.

Pour une installation appropriée, veuillez lire le présent manuel et suivre toutes les instructions. Pour toute autre question, contactez un revendeur Paradigm<sup>TM</sup> autorisé ou consultez la page Questions-Réponses de notre site Web au [www.paradigm.com](http://www.paradigm.com).

## TABLE DES MATIÈRES

Vos nouvelles enceintes .....	3
Pour éviter d'endommager les enceintes .....	3
Positionnement des enceintes .....	3
Montage sur un pied .....	6
Montage au mur .....	8
Raccordement des enceintes .....	13
Guide de dépannage .....	14
Spécifications techniques .....	15
Garantie limitée .....	17



## VOS NOUVELLES ENCEINTES

Les enceintes Paradigm Cinema conviennent parfaitement à une variété d'applications. Leur taille compacte permet de les installer facilement partout dans la maison. Pour obtenir le meilleur rendement possible, nous vous recommandons fortement de respecter les lignes directrices sur le positionnement fournies à la section « Positionnement des enceintes ». Les supports d'enceinte pleine longueur sont également disponibles avec vos nouvelles enceintes Cinema 100s; consultez le revendeur pour obtenir de plus amples renseignements.

### Nettoyage

N'utilisez pas de nettoyeur puissant ou abrasif sur les enceintes. Nettoyez-les avec un linge humide, mais ne les mouillez pas.

### Montage sur un pied ou au mur

Nous incluons des pieds (supports) et des supports de montage au mur pour les enceintes Cinema (qui varient selon le modèle). Consultez les illustrations plus loin dans ce manuel pour savoir comment monter les enceintes sur des pieds ou des supports muraux.

**IMPORTANT!** Si vous montez les enceintes sur un mur, accordez un soin particulier au processus d'installation – utilisez toujours les courroies de sécurité (*ci comprises*) à titre de dispositif de retenue secondaire.

---

## POUR ÉVITER D'ENDOMMAGER LES ENCEINTES

**Utiliser un amplificateur adéquat.** À volume élevé, un amplificateur trop puissant peut solliciter excessivement les enceintes et les endommager. Par contre, si l'amplificateur n'est pas assez puissant, il peut provoquer un écrêtage produisant des distorsions qui peuvent facilement endommager les haut-parleurs de hautes fréquences (*consulter le revendeur*).

**La commande de volume de l'amplificateur peut être trompeuse.** puisqu'elle permet seulement d'ajuster le niveau d'écoute, mais n'indique pas le niveau de puissance. Si le son semble sec ou distordu, ou s'il y a distorsion des graves, réduire immédiatement le volume pour ne pas endommager les enceintes! **Ce type de dommage est considéré comme un usage abusif, et la garantie ne le couvre pas!**

**Les commandes de tonalité ou d'égalisation** peuvent solliciter encore plus l'amplificateur; réduisant le niveau auquel il y aura écrêtage. Utiliser ces dispositifs le moins possible, et ne pas les utiliser pour l'écoute à volume élevé.

---

## POSITIONNEMENT DES ENCEINTES

Les lignes directrices en matière de positionnement suivantes vous aideront à obtenir le meilleur rendement de vos enceintes Cinema à rendement élevé. Des illustrations qui vous indiquent comment fixer les enceintes aux pieds et aux supports muraux sont fournies dans les sections suivantes. Pour le Cinema Trio, suivre les instructions relatives au positionnement fournies dans l'illustration de la page 5.

### Enceintes avant (gauche/droite)

#### Sur un pied (*Voir l'illustration à droite*)

Pour obtenir l'équilibre du timbre le plus précis possible, placez vos enceintes avant de façon à ce que les haut-parleurs d'aigus (tweeters) soient orientés vers l'aire d'écoute et que le son parvienne environ au niveau des oreilles.

#### Sur le mur (*Voir l'illustration à droite*)

Suivez les instructions de positionnement en avant.



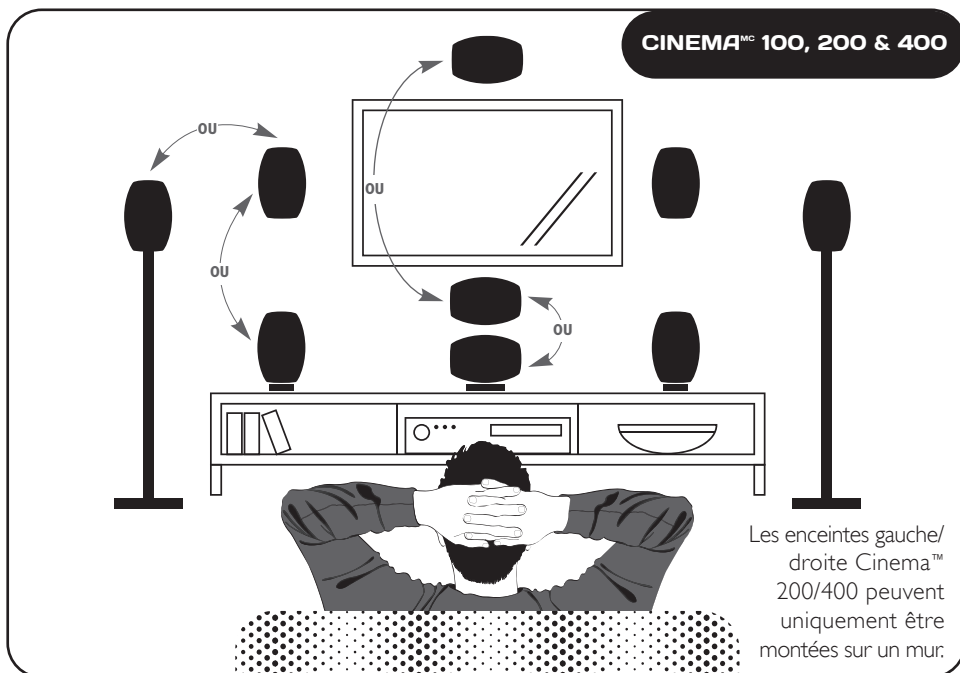
## Enceinte Centrale

### Sur un pied (Voir ci-dessous)

Placez l'enceinte centrale sur son pied sous l'écran pour que le son arrive aussi près du niveau des oreilles que possible. L'enceinte doit être placée environ à la même distance de l'aire d'écoute principale que les enceintes avant. (Certains récepteurs et processeurs règlent électroniquement les différences de distance entre les enceintes... vérifiez si le vôtre le fait.)

### Sur le mur (Voir ci-dessous)

Placez l'enceinte centrale au-dessus ou au-dessous de l'écran, selon la position qui fait parvenir le son le plus près du niveau des oreilles. L'enceinte doit être placée environ à la même distance de l'aire d'écoute principale que les enceintes avant. (Voir la remarque ci-dessus concernant les réglages électroniques de la distance.)



## Enceintes ambiophoniques

Lorsqu'elles sont utilisées à titre d'enceintes ambiophoniques/arrière, les enceintes Cinema doivent être tenues assez loin de l'aire d'écoute pour obtenir un son ambiophonique optimal.

### 5.1 Configuration ambiophonique (nécessite cinq enceintes et un caisson de sous-graves)

Placez les enceintes de chaque côté, coin, ou arrière de l'aire d'écoute, tel qu'illustré voir la page suivante.

### 7.1 Configuration ambiophonique (nécessite sept enceintes et un caisson de sous-graves)

Placez une enceinte de chaque côté ou coin de l'aire d'écoute, tel qu'illustré ci-dessous. Placez les enceintes additionnelles derrière l'aire d'écoute – une légèrement à droit, l'autre légèrement à gauche, tel qu'illustré.



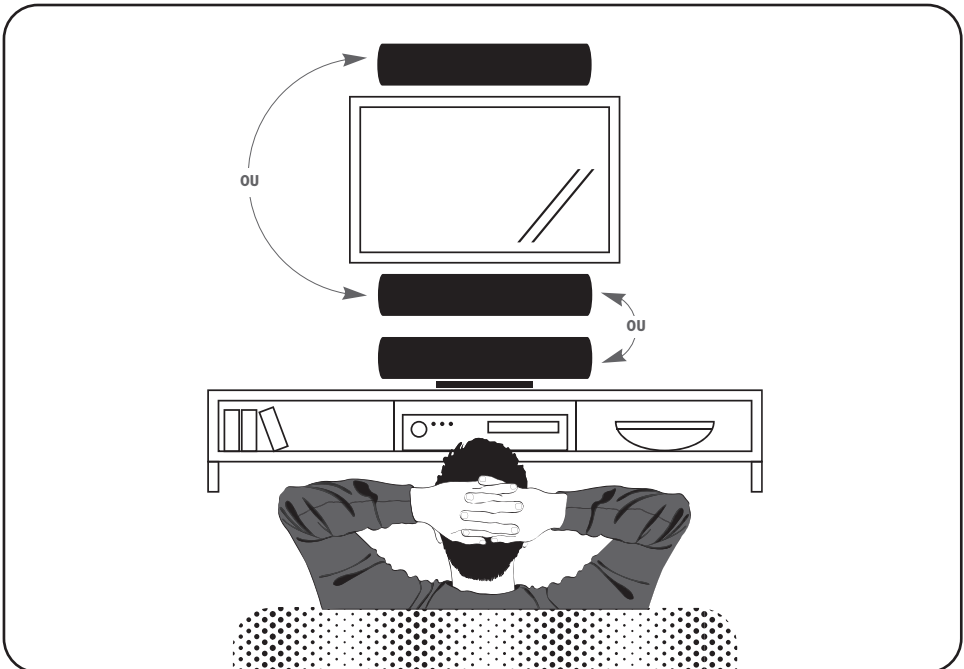
## POSITIONNEMENT DES ENCEINTES (SUITE)

Configurations ambiophonique et arrière illustrées



### Cinema Trio (modèle « trois enceintes dans une »)

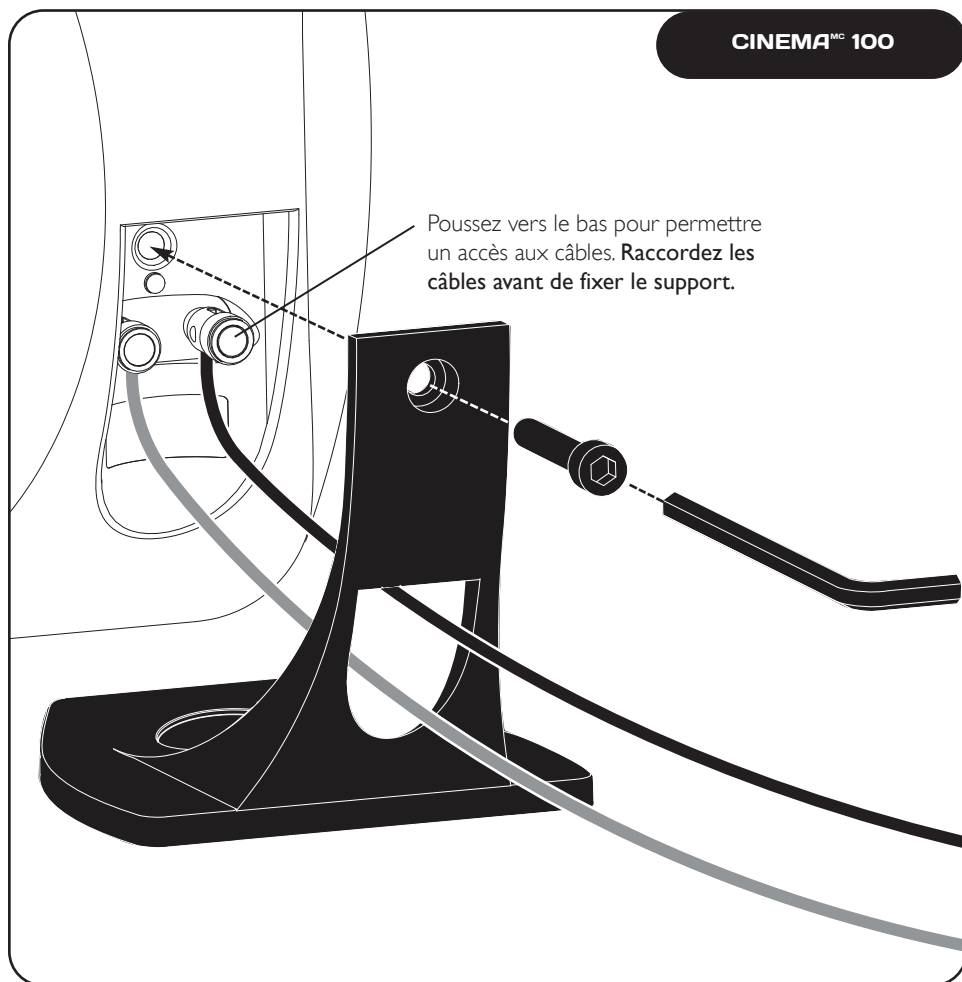
Placez l'enceinte au-dessus ou au-dessous de l'écran, selon la position qui fait parvenir le son le plus près du niveau des oreilles.





## MONTAGE SUR UN PIED (TOUT LE MATÉRIEL NÉCESSAIRE EST COMPRIS)

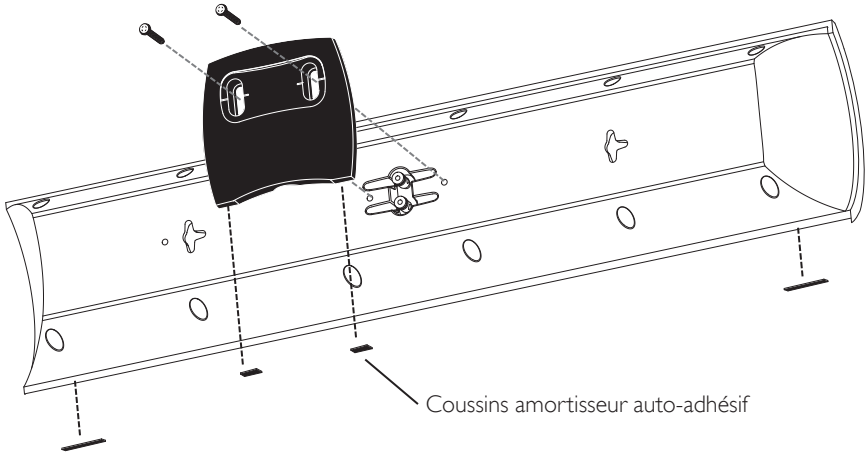
CINEMA<sup>MC</sup> 100



## MONTAGE SUR UN PIED (TOUT LE MATÉRIEL NÉCESSAIRE EST COMPRIS) (SUITE)

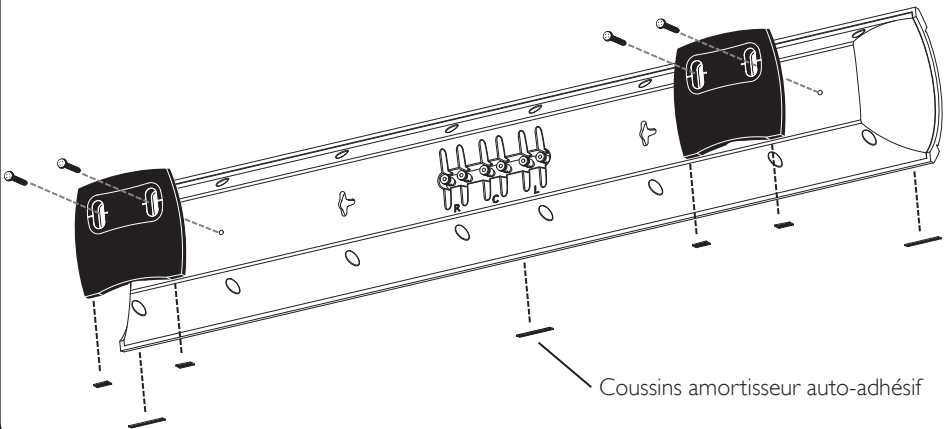
Le ou les pieds doivent être utilisés lorsque l'enceinte est utilisée dans une configuration horizontale

**CINEMA<sup>MC</sup> 200 & 400**



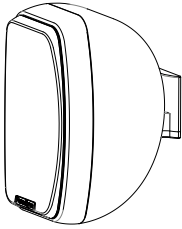
Les pieds doivent être utilisés lorsque l'enceinte est utilisée dans une configuration horizontale

**CINEMA<sup>MC</sup> TRIO**



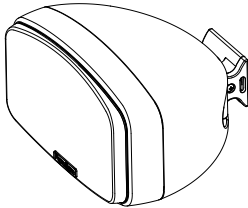
## MONTAGE AU MUR

Consulter les instructions de montage pour votre modèle particulier. Si vous n'êtes pas à l'aise d'exécuter les procédures suivantes, demandez à un professionnel d'effectuer l'installation (voir votre revendeur).



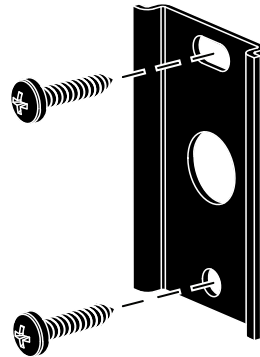
**Vertical :**  
les enceintes s'inclinent à gauche/droite pour améliorer davantage l'image stéréo

**CINEMA<sup>MC</sup> 100**



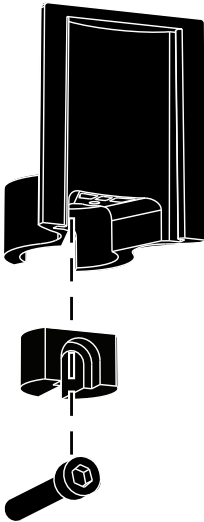
**Horizontal :**  
L'enceinte peut être inclinées vers le haut/bas pour une clarté optimale

Attacher le support au mur  
(vis non comprises)

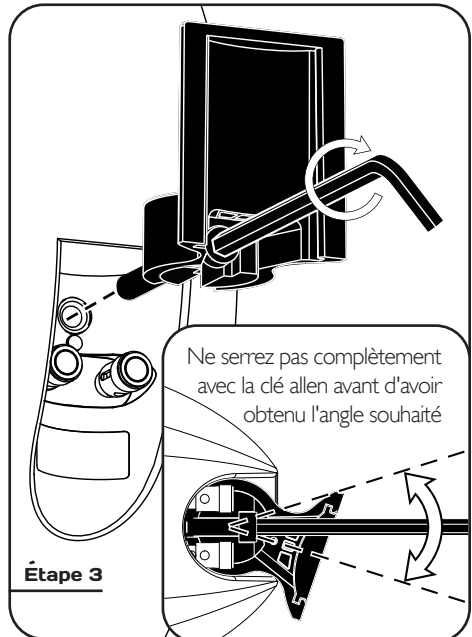


**Étape 1**

Assemblez toutes les pièces avant de passer à l'étape 3



**Étape 2**

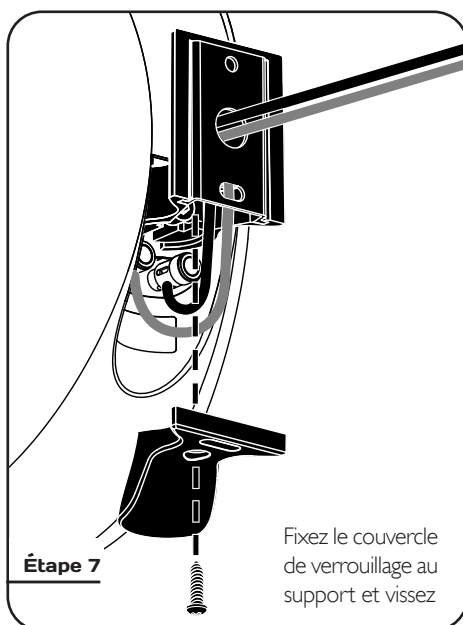
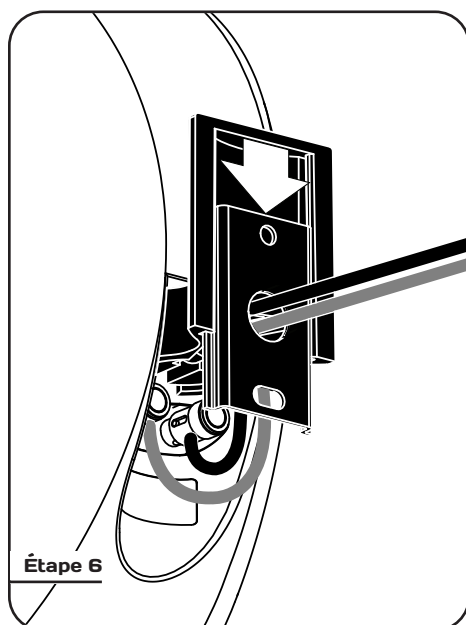
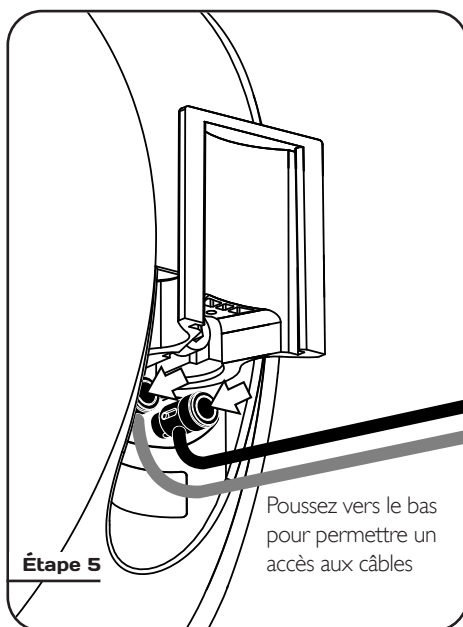
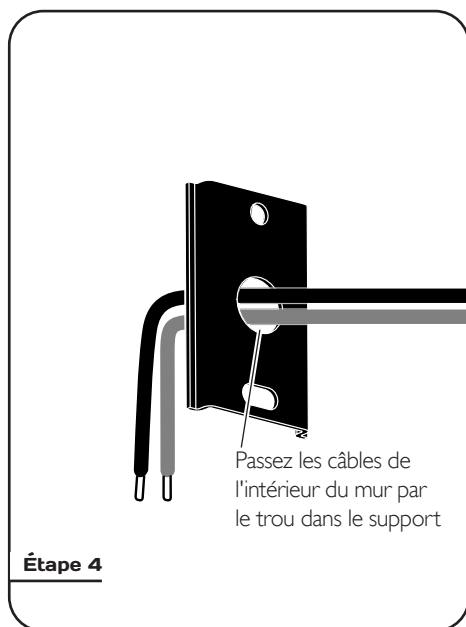


**Étape 3**

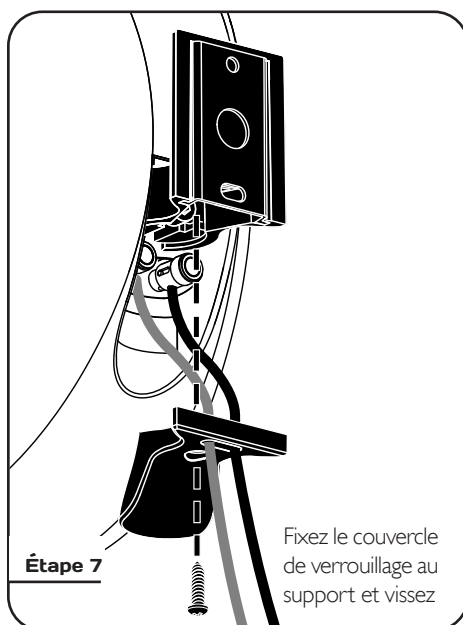
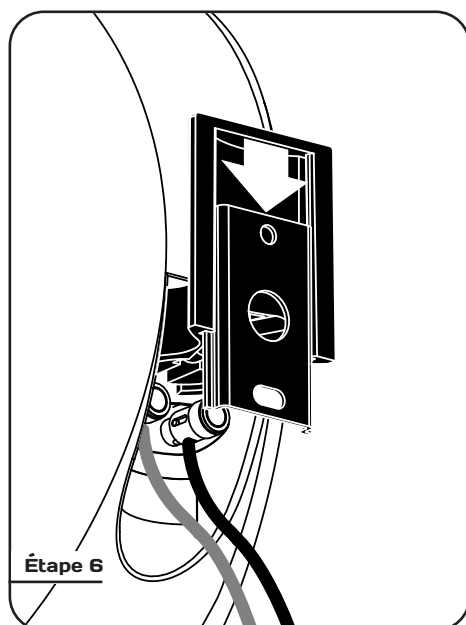
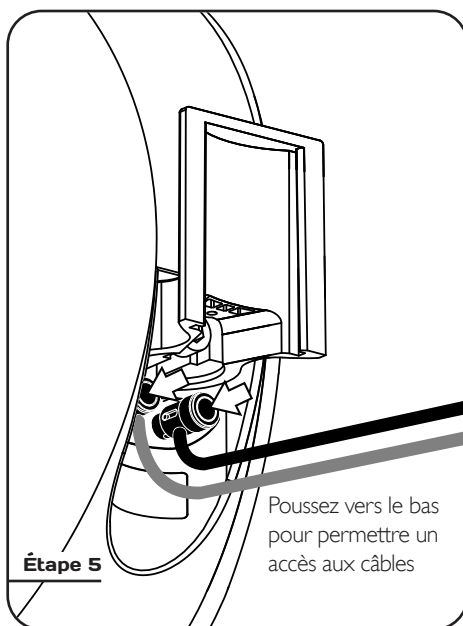
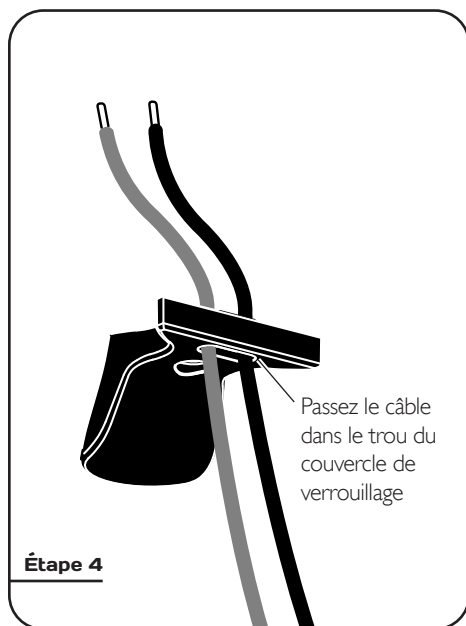


## MONTAGE AU MUR (SUITE)

### CÂBLAGE À L'INTERIEUR DU MUR

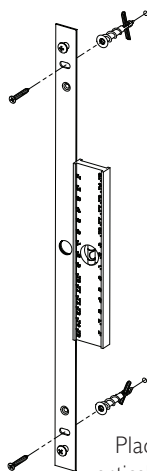


## CÂBLAGE LE LONG DU MUR



## MONTAGE AU MUR (SUITE)

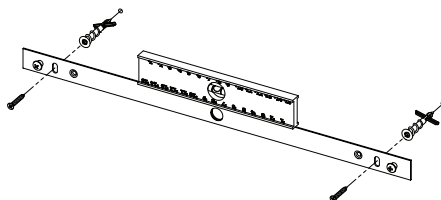
### MONTAGE VERTICAL POUR CINEMA<sup>MC</sup> 200, 400 & TRIO



Placez le support à la verticale, tel qu'illustré, puis suivez les étapes pour le positionnement horizontal.

### MONTAGE HORIZONTAL POUR CINEMA<sup>MC</sup> 200, 400 & TRIO

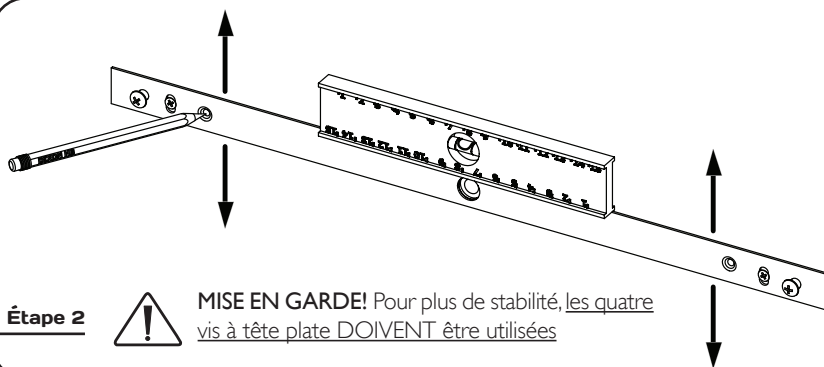
Vis non comprises



**REMARQUE :** cette étape concerne **uniquement le positionnement**. Les vis seront enlevées à la prochaine étape afin de permettre l'installation de boulons d'ancrage additionnels.

#### Étape 1

Placez le support et assurez-vous qu'il est au niveau. Marquez les deux trous de vis intérieurs. Percez les trous de guidage, puis enfoncez fermement les boulons d'ancrage dans la cloison sèche et vissez. Vissez ensuite les vis à tête plate : **NEVISSEZ PAS COMPLÈTEMENT À CE POINT**—laissez les têtes de vis dépasser légèrement.

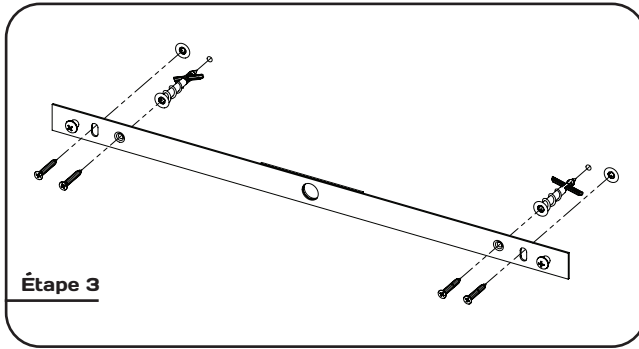


#### Étape 2

**MISE EN GARDE!** Pour plus de stabilité, les quatre vis à tête plate DOIVENT être utilisées

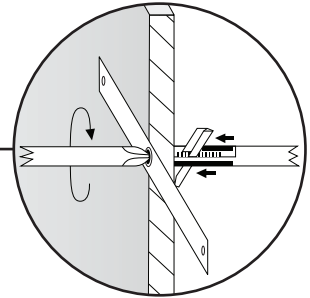
Le support est doté de fentes (voir l'illustration), pour permettre un réglage vers le haut ou le bas, le cas échéant. Vérifiez à nouveau pour vous assurer que le support est au niveau. Marquez les trous de vis intérieurs.



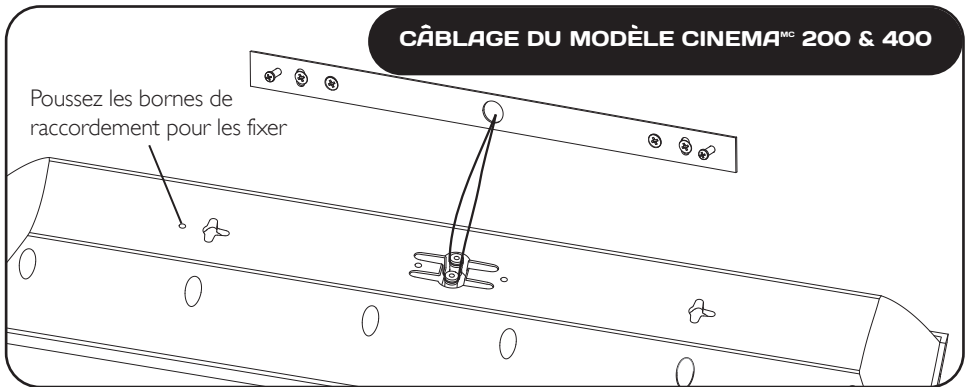


**Étape 3**

Enlevez les deux vis à tête plate (voir l'illustration). Percez les trous de guidage intérieurs, puis enfoncez fermement les boulons d'ancrage dans la cloison sèche et vissez. Insérez maintenant les quatre vis à tête plate et serrez.

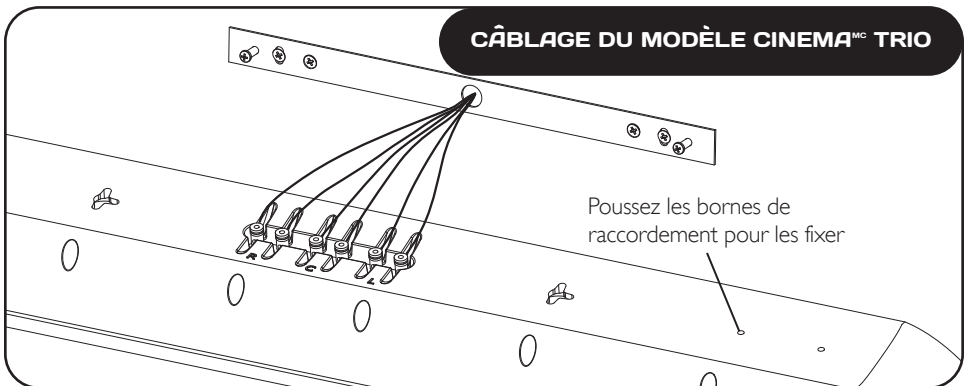


**MISE EN GARDE!** Toutes les vis doivent être insérées en ligne droite et entièrement serrées pour s'assurer que les boulons d'ancrage fonctionnent correctement.



**CÂBLAGE DU MODÈLE CINEMA<sup>MC</sup> 200 & 400**

Poussez les bornes de raccordement pour les fixer

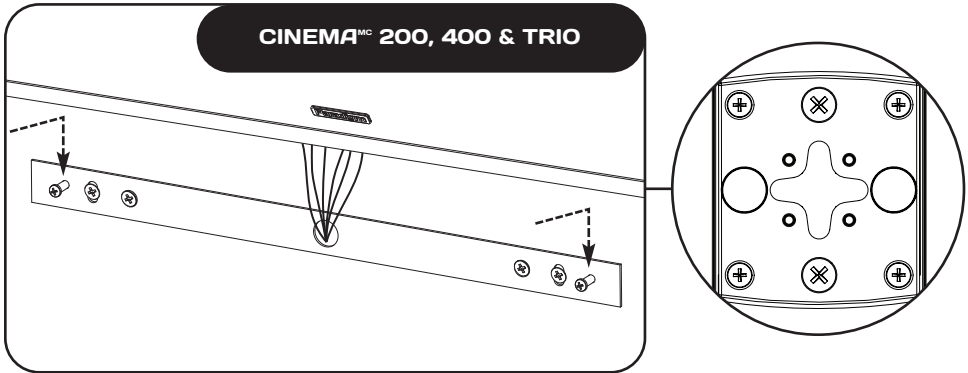


**CÂBLAGE DU MODÈLE CINEMA<sup>MC</sup> TRIO**

Poussez les bornes de raccordement pour les fixer



## MONTAGE AU MUR (SUITE)



Alignez les trous en forme de serrure (voir l'encart) situés derrière l'enceinte sur les têtes de vis qui dépassent sur le support, puis en faisant un mouvement de haut en bas, fixez l'enceinte sur le support.

## RACCORDEMENT DES ENCEINTES



**ÉTEIGNEZ** l'amplificateur avant de raccorder les enceintes. Vous éviterez ainsi les dommages qui pourraient survenir lors du court-circuit accidentel des câbles d'enceinte.

Le tableau suivant indique les exigences minimales de calibre pour els différentes longueurs de câble :

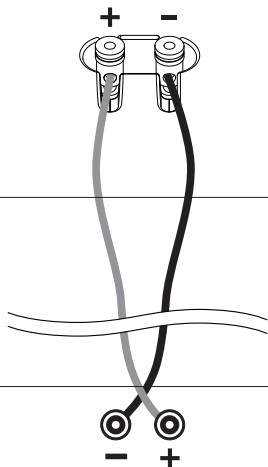
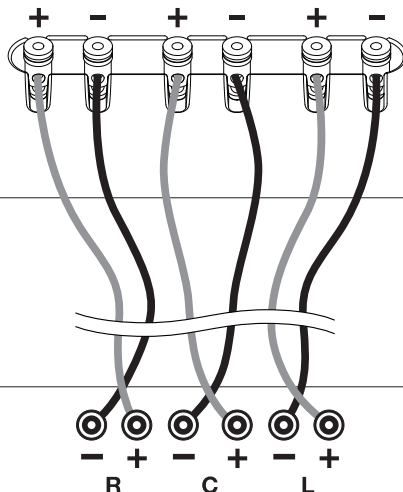
EXIGENCES MINIMALES DE CALIBRE		
LONGUEUR	DIAMÈTRE	CALIBRE
Moins de 4,5 m (15 pi)	1,3 mm (0,05 po)	16 awg
Moins de 9 m (30 pi)	1.6 mm (0.06 in)	14 awg
Plus de 9 m (30 pi)	2.0 mm (0.08 in)	12 awg

Vos enceintes sont dotées de bornes de raccordement de haute qualité qui peuvent être utilisées avec les broches, ainsi qu'avec des fils nus. Consultez le diagramme ci-dessous. À l'aide de câbles d'enceinte de haute qualité (voir votre revendeur), raccordez une enceinte à la fois à votre récepteur/amplificateur. Raccordez la borne rouge (+) de l'amplificateur à la borne rouge (+) de l'enceinte et la borne noire (-) de l'amplificateur à la borne noire (-) de l'enceinte (voir la page suivante). Poussez les bornes de raccordement pour les fixer.

Allumez l'amplificateur et écoutez les enceintes. Si vous remarquez un manque complet de graves moyennes et une image disloquée, une ou plusieurs enceintes pourraient être raccordées de façon « déphasée » (leur polarité est inversée). Vérifiez à nouveau pour vous assurer que les câbles d'enceinte sont raccordés avec la bonne polarité : rouge (+) avec rouge (+) et noir (-) avec noir (-). Poussez les bornes de raccordement pour les fixer.





**CINEMA<sup>MC</sup> 100, 200 & 400****CINEMA<sup>MC</sup> TRIO****GUIDE DE DÉPANNAGE**

PROBLÈME	SOLUTION
Pas de son	<ul style="list-style-type: none"> <li>• S'assurer que le préamplificateur ou l'amplificateur est branché et allumé. Vérifier que la prise de courant fonctionne correctement.</li> <li>• Des écouteurs sont-ils branchés ou le système est-il en mode sourdine (mute)?</li> <li>• Vérifier tous les raccords.</li> </ul>
Aucun son d'une ou plusieurs enceintes	<ul style="list-style-type: none"> <li>• Vérifier la commande de réglage d'équilibre (balance) ou la commande de volume VC 150 (si elle est utilisée).</li> <li>• Vérifier le branchement et le fonctionnement de tous les cordons d'alimentation.</li> <li>• Remplacer l'enceinte qui ne fonctionne pas par une enceinte qui fonctionne pour vérifier si le problème est au niveau de l'enceinte ou ailleurs (c.-à-d. le filage, l'amplificateur).</li> </ul>
Déficiance des graves ou image disloquée	<ul style="list-style-type: none"> <li>• Il se peut qu'une des enceintes soit déphasée (polarité inversée).</li> <li>• Vérifier de nouveau la polarité de chaque raccordement : rouge (+) à rouge (+) et noir (-) à noir (-).</li> </ul>



## SPECIFICATIONS TECHNIQUES

	CINEMA <sup>nc</sup> 100	CINEMA <sup>nc</sup> 200
Design	2 hauts-parleurs, suspension acoustique à deux voies, monté sur un pied / sur le mur	3 haut-parleurs, LCR à 2 voies, suspension acoustique, option sur le mur pour monter la configuration centrale sur une table ou une étagère
Raccord(s)	Électroacoustique 2e ordre à 1,8 KHz	Électroacoustique 2e ordre à 1,8 KHz
Haut-parleur de haute fréquence	Dôme S-PAL <sup>nc</sup> de 25-mm (1 po) en aluminium en pure satin anodisé, ferrofluide amorti/refroidi	Dôme S-PAL <sup>nc</sup> de 25-mm (1 po) en aluminium en pure satin anodisé, ferrofluide amorti/refroidi
Haut-parleur de basse / moyenne fréquence	Cône en polypropylène rempli de matière minérale de 90-mm (3-1/2 in), bobine acoustique de 25-mm (1 po), aimants en céramique / ferrite surdimensionné	Deux cônes en polypropylène rempli de matière minérale de 90-mm (3-1/2 in), bobine acoustique de 25-mm (1 po), aimants en céramique / ferrite surdimensionné
Haut-parleur de graves	n/d	n/d
Extension de basse fréquence*	85 Hz (DIN)	80 Hz (DIN)
Réponse de fréquence : sur l'axe 30° hors axe	±2 dB à partir de 125 Hz – 20 kHz ±2 dB à partir de 125 Hz – 15 kHz	±2 dB à partir de 120 Hz – 20 kHz ±2 dB à partir de 120 Hz – 15 kHz
Sensibilité – salle / anéchoïque	88 dB / 85 dB	90 dB / 87 dB
Intervalle de puissance approprié pour l'amplificateur	15 à 100 watts	15 à 100 watts
Alimentation maximale†	50 watts	70 watts
Impédance	Compatible avec 8 ohms	Compatible avec 8 ohms
Dimensions (h x l x p)	21,2 cm x 12,2 cm x 15,7 cm 8-3/8 po x 4-13/16 po x 6-3/16 po	50,5 cm x 16,1 cm x 10,4 cm 19-7/8 po x 6-5/16 po x 4-1/16 po
Poids (déballé, avec pied)	1,8 kg / 4,0 lb par enceinte	3,7 kg / 8,3 lb par enceinte
Finish	Lustre noir	Lustre noir



	CINEMA <sup>™</sup> 400	CINEMA <sup>™</sup> TRIO
Design	5 haut-parleurs, LCR à 2-1/2 voies, suspension acoustique, option sur le mur pour monter la configuration centrale sur une table ou une étagère	Tous dans un gauche / droite / centre : 7 haut-parleurs, 3 canal, 2 voies, suspension acoustique
Raccord(s)	Électroacoustique 2e ordre à 2,1 KHz, Électroacoustique 2e ordre à 500 Hz (haut-parleur de graves)	Électroacoustique 2e ordre à 1,8 KHz
Haut-parleur de haute fréquence	Dôme S-PAL <sup>™</sup> de 25-mm (1 po) en aluminium en pure satin anodisé, ferrofluide amorti/refroidi	Trois dômes S-PAL <sup>™</sup> de 25-mm (1 po) en aluminium en pure satin anodisé, ferrofluide amorti/refroidi
Haut-parleur de basse / moyenne fréquence	Deux cônes en polypropylène rempli de matière minérale de 90-mm (3-1/2 in), bobine acoustique de 25-mm (1 po), aimants en céramique / ferrite surdimensionné	Quatre cônes en polypropylène rempli de matière minérale de 90-mm (3-1/2 in), bobine acoustique de 25-mm (1 po), aimants en céramique / ferrite surdimensionné
Haut-parleur de graves	Deux cônes en polypropylène rempli de matière minérale de 90-mm (3-1/2 in), bobine acoustique de 25-mm (1 po), aimants en céramique / ferrite surdimensionné	n/d
Extension de basse fréquence*	75 Hz (DIN)	85 Hz (DIN)
Réponse de fréquence : <i>sur l'axe 30° hors axe</i>	±2 dB à partir de 115 Hz – 20 kHz ±2 dB à partir de 115 Hz – 15 kHz	±2 dB à partir de 125 Hz – 20 kHz ±2 dB à partir de 125 Hz – 15 kHz
Sensibilité – salle / anéchoïque	95 dB / 92 dB	89 dB / 86 dB
Intervalle de puissance approprié pour l'amplificateur	15 à 200 watts	15 à 150 watts
Alimentation maximale <sup>†</sup>	100 watts	70 watts par canal
Impédance	Compatible avec 8 ohms	Compatible avec 8 ohms
Dimensions (h x l x p)	67,0 cm x 16,1 cm x 10,4 cm 26-3/8 po x 6-5/16 po x 4-1/16 po	16,1 cm x 91,5 cm x 10,4 cm 6-5/16 po x 36 po x 4-1/16 po
Poids (déballé, avec pied)	5,8 kg / 12,8 lb par enceinte	7,6 kg / 16,8 lb par enceinte
Finish	Lustre noir	Lustre noir

\*DIN 45 500 Indique -3 dB dans une salle d'écoute typique.

†Avec un programme source typique, attendu que l'amplificateur n'écrête pas plus de 10 % du temps.



## GARANTIE LIMITÉ

Les enceintes Paradigm™ couvertes dans ce manuel sont garanties contre les défauts de matériaux et de fabrication pendant une période de cinq (5) ans à compter de la date d'achat du matériel neuf. Durant cette période, la réparation, le remplacement ou le réglage de pièces pour des défauts de matériaux ou de fabrication ne seront pas à la charge du premier acheteur.

**Les dommages causés par l'exposition abusive à la chaleur ou l'usage abusif ne sont pas couverts par la présente garantie.**

### Limitations :

- La garantie entre en vigueur à la date d'achat par le premier acheteur chez un revendeur autorisé Paradigm™ Reference seulement. La garantie n'est pas transférable;
- La garantie s'applique aux enceintes pour une utilisation résidentielle normale. Si les enceintes sont assujetties à l'une des conditions définies dans le paragraphe suivant, la garantie est nulle;
- La garantie ne s'applique pas à un usage commercial ou professionnel.

### La garantie est révoquée si :

- L'enceinte est assujettie à un usage abusif (accidentel ou intentionnel);
- L'enceinte est utilisée avec du matériel défectueux ou non adéquat;
- L'enceinte est soumise à des signaux électriques dommageables, un transport dangereux, des dommages mécaniques ou toute autre condition anormale;
- L'enceinte (y compris le boîtier) est altérée ou endommagée lors d'une réparation non autorisée;
- La plaque du numéro de série de l'enceinte est enlevée ou défigurée.

### Responsabilités du propriétaire :

- Apporter un soin et un entretien normaux et raisonnables;
- Assumer les frais de transport jusqu'à l'atelier de réparation;
- Fournir une preuve d'achat (conserver le reçu fourni lors de l'achat par le revendeur autorisé Paradigm™ comme preuve de la date d'acquisition).

Si une réparation est nécessaire, contacter le revendeur autorisé Paradigm™, Paradigm Electronics Inc. ou le distributeur à l'étranger (à l'extérieur du Canada et des États-Unis) pour planifier l'envoi prépayé de l'enceinte défectueuse. Consulter le site web [www.paradigm.com](http://www.paradigm.com) pour plus d'information.

Paradigm Electronics Inc. se réserve le droit d'améliorer ou de modifier ses produits en tout temps sans responsabilité ou engagement envers les produits existants.

La présente garantie tient en lieu et place de toute autre garantie, explicite ou implicite, de qualité marchande et d'adéquation pour tout usage particulier, et ne peut être élargie ou étendue par quiconque. Paradigm Electronics Inc. et ses représentants ou agents ne peuvent pas être tenus responsables de dommages consécutifs ou indirects découlant de l'utilisation de ces produits. Dans les endroits où une réglementation spécifique interdit une telle limitation de la responsabilité, cette exclusion ne s'applique pas.

**Conserver le présent manuel et le reçu comme preuves d'achat et de garantie.**



## Free Manuals Download Website

<http://myh66.com>

<http://usermanuals.us>

<http://www.somanuals.com>

<http://www.4manuals.cc>

<http://www.manual-lib.com>

<http://www.404manual.com>

<http://www.luxmanual.com>

<http://aubethermostatmanual.com>

Golf course search by state

<http://golfingnear.com>

Email search by domain

<http://emailbydomain.com>

Auto manuals search

<http://auto.somanuals.com>

TV manuals search

<http://tv.somanuals.com>