



OWNERS MANUAL | **OM-575**

MILLENIA™ SERIES: FRONT AND CENTER SPEAKERS

Thank you for choosing Paradigm® Reference Millenia™ Speakers and congratulations! You are about to hear the difference these state-of-the-art high-end speakers will make in your music and home theater system.

Comprehensive R&D, leading-edge design, use of the finest materials, and sophisticated manufacturing and quality control techniques provide vastly superior performance for each component part and at every stage of design. Your Paradigm® Reference Millenia™ speakers will provide you with stunning high-end sound and unparalleled listening pleasure for many years.

To achieve all of the exceptional sound these speakers are capable of providing requires care in installation and operation. Please take the time to read this manual and follow all instructions. If you have further questions, contact your Authorized Paradigm® Reference Dealer or visit the Q&A page in the Tech Support section of our website at www.paradigm.com.



TABLE OF CONTENTS

Base Assembly for Floorstanding Speakers (Pictorial)	3	Speaker Placement	9
Grille Removal and Reinstallation (Pictorial)	3	Wall Mounting	10
Speaker Placement and Connection (Pictorial)	4	Speaker Connection	10
Your New Speakers	7	Fine Tuning	10
How To Avoid Speaker Damage	8	Troubleshooting Guide	11
Room Acoustics	8	Limited Warranty	11



RECYCLING AND REUSE GUIDELINES FOR EUROPE

In accordance with the European Union WEEE (Waste Electrical and Electronic Equipment) directive effective August 13, 2005, we would like to notify you that this product may contain regulated materials which, upon disposal, according to the WEEE directive, require special reuse and recycling processing. For this reason Paradigm Electronics Inc. (manufacturers of Paradigm® speakers and Anthem® electronics) has arranged with our distributors in European Union member nations to collect and recycle this product at no cost to you. To find your local distributor please contact the dealer from whom you purchased this product or go to our website at www.paradigm.com.

Please note that the product only falls under the WEEE directive. When disposing of packaging and other shipping material we encourage you to recycle through the normal channels.

DIRECTIVES EUROPEENNES SUR LE RECYCLAGE ET LE TRAITEMENT DES DECHETS

Dans le respect de la directive WEEE (Waste Electrical & Electronic Equipment) mise en place par les institutions Européennes à compter du 13 Août 2005, nous souhaitons vous informer que ce produit peut contenir des matières devant faire l'objet d'une procédure de recyclage ou de traitement approprié des déchets. Dans cette optique, Paradigm Electronics Inc (fabricant des enceintes Paradigm^{MD} et des électroniques Anthem^{MD}) avec ses Distributeurs agréés dans l'Union Européenne, ont mis en place une procédure de collecte et de retraitement gratuite. Pour en savoir davantage sur cette procédure veuillez contacter votre revendeur, ou notre Distributeur dans votre pays (vous en obtiendrez les coordonnées sur simple demande ou en consultant notre site Internet www.paradigm.com).

Notez que seul le produit fini est concerné par cette directive et ses obligations. S'agissant de son emballage et de ses accessoires de transport nous vous recommandons de les recycler selon les procédures mises en place par votre commune ou votre département.

BASE ASSEMBLY FOR FLOORSTANDING SPEAKERS *(pictorial)* ASSEMBLAGE DE LA BASE DES ENCEINTES AU SOL *(figures)*

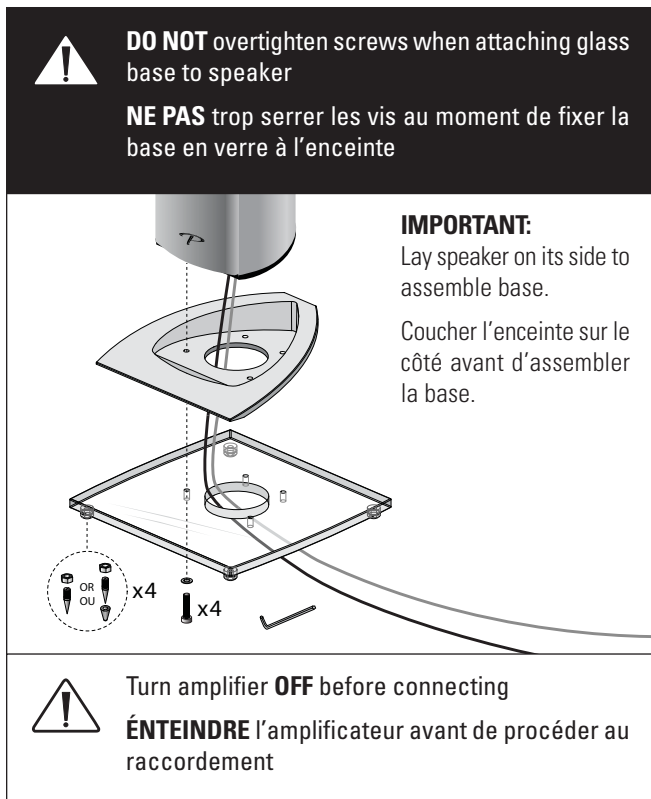


Fig. 1

To make connection easier, we recommend feeding cable through base/bottom plate and connecting speaker before attaching base.

Pour faciliter le raccordement, il est recommandé de faire passer le fil de l'enceinte à travers la base/plaque inférieure avant de fixer la base.

GRILLE REMOVAL AND REINSTALLATION *(pictorial)* RETRAIT ET RÉINSTALLATION DE LA GRILLE *(figures)*



Fig. 2

SPEAKER PLACEMENT AND CONNECTION *(pictorial)*

POSITIONNEMENT ET RACCORDEMENT *(figures)*

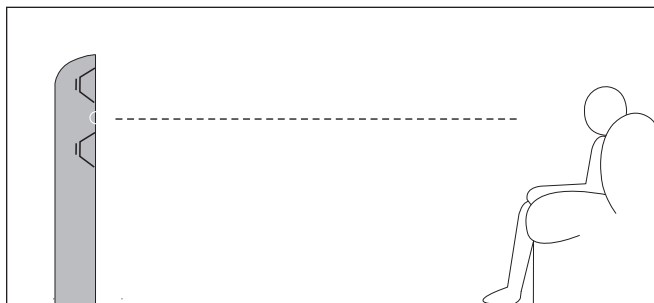


Fig. 3

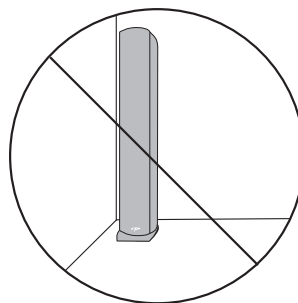


Fig. 4a

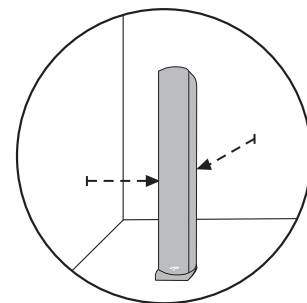


Fig. 4b

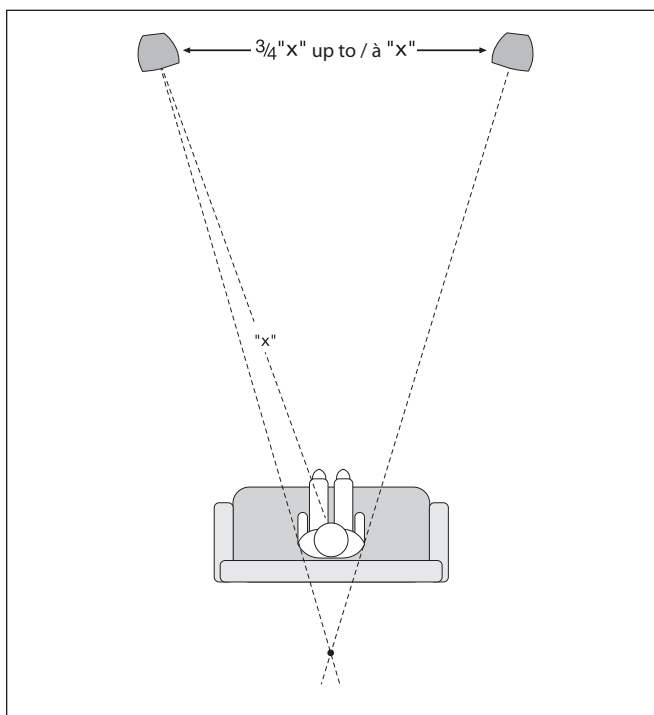


Fig. 5

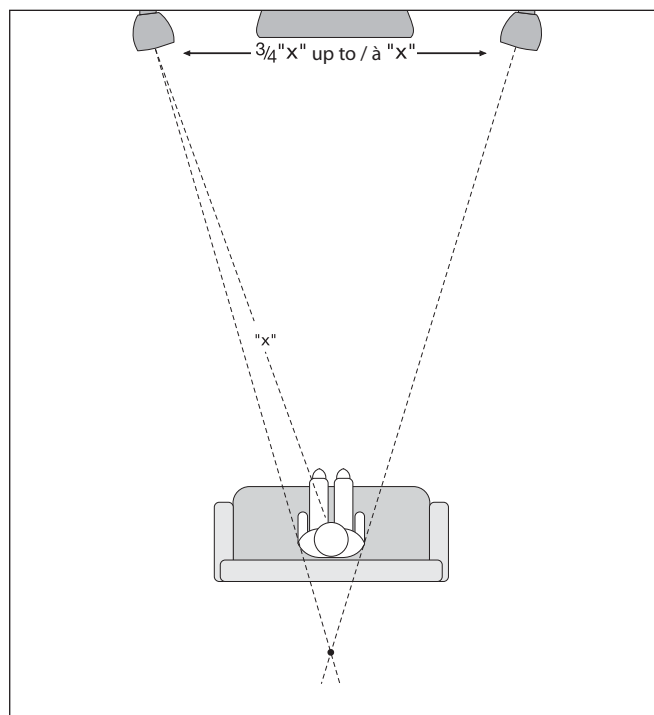


Fig. 6

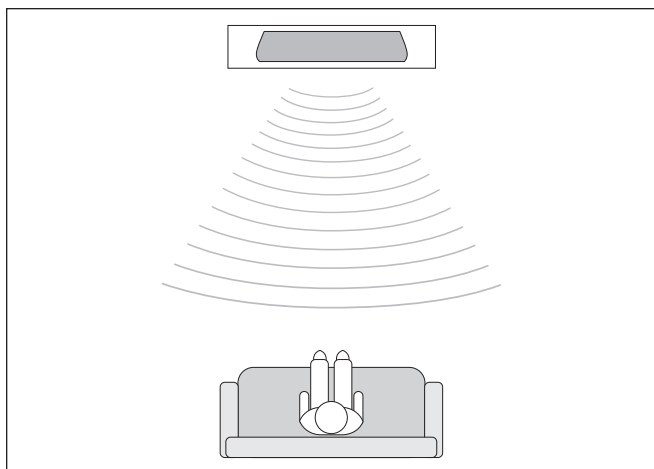


Fig. 7

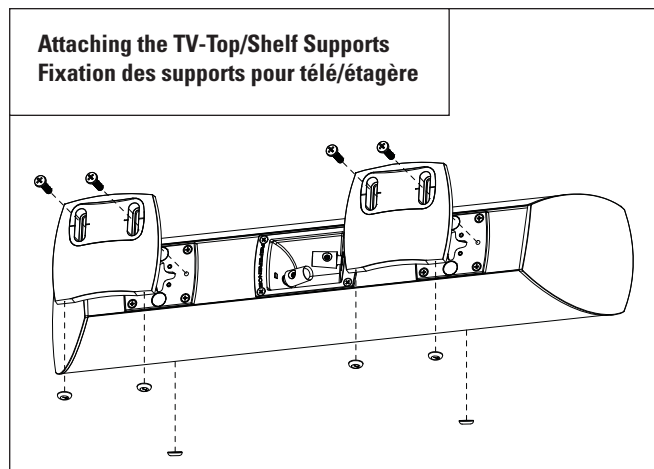


Fig. 8

BRACKET INSTALLATION FOR MILLENIA™ 20 AND MILLENIA™ 30 (Figs. 9a – 9e)

IMPORTANT: Please read before installing brackets



Paradigm DOES NOT supply hardware for mounting brackets to the wall. Mounting hardware shown is an example only; hardware will vary depending on wall type.



Install into 1/2" (13 mm) or 5/8" (16 mm) drywall only. Screws must be long enough to go through anchor bolts and firmly into drywall (see inset circle, below).

BRACKET PARTS LIST (per speaker):

- 1 – Wall-mounting bracket (with 2 protruding screw heads)
- 2 – Sets of 2 self-adhesive bumper pads (marked for 0° or 7° tilt)

PARTS REQUIRED, NOT INCLUDED (per speaker):

- 4 – Anchor bolts (minimum load rate 25 lb / 11.3 kg)
- 4 – Flathead (Countersunk) screws

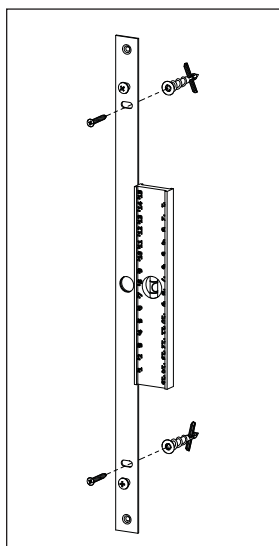


Fig. 9a

NOTE: This step is for positioning only. Screws will be removed in next step to allow installation of additional bolts.

Position bracket and ensure it is level. Mark the two inner screw holes. Drill pilot holes, then press anchor bolts firmly into drywall and screw in. Follow with flathead screws: **DO NOT SCREW ALL THE WAY IN AT THIS POINT** —leave screw heads protruding slightly.

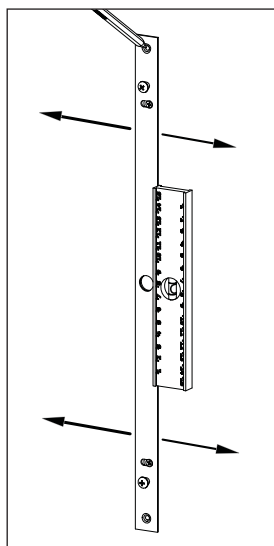


Fig. 9b

Bracket is slotted (see illustration), to allow further adjustment left or right, if necessary. Re-check to ensure bracket is level. Mark outer screw holes.

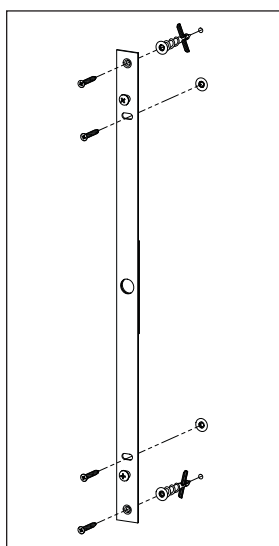
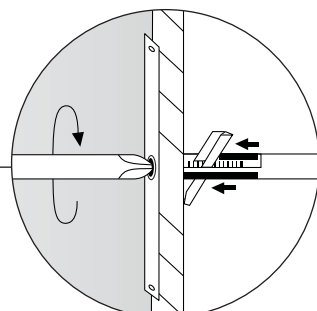


Fig. 9c

Remove the two flathead screws (not shown). Drill outer pilot holes, then press anchor bolts firmly into drywall and screw in. Now insert all four flathead screws and tighten.



WARNING! For stability, all four flathead screws MUST be used.



WARNING! All screws must be inserted straight and fully tightened to ensure correct operation of anchor bolts.

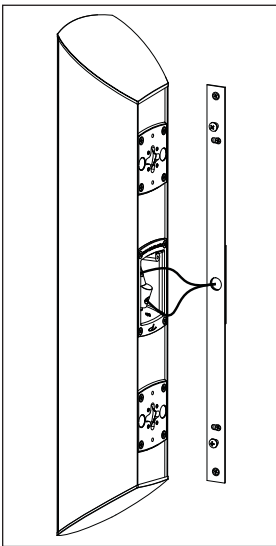


Fig. 9d (Before wiring speakers see note on Fig. 9d – 1 and Fig. 9d – 2 below)

CONNECTING SPEAKER

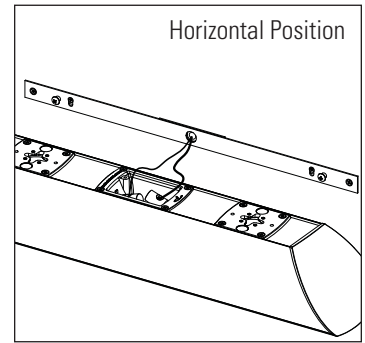
Pull cables through center hole in bracket and connect speaker following the information on Page 10.

ADJUSTING THE SPEAKER'S ANGLE OF TILT

The self-adhesive bumper pads (*included*) allow you to adjust the angle at which your speakers sits on the wall:

- To further optimize imaging, you can tilt Left and Right speakers inward 7° (Fig. 9d – 1) positioning the self-adhesive bumper pads marked 7° (*as shown*).
- To further optimize clarity and intelligibility, you can tilt the center speaker up 7° or down 7° (Fig. 9d – 2) positioning the bumper pads marked 7° (*as shown*).
- You can also mount the speakers parallel to the wall (Fig. 9d – 3) positioning the self-adhesive bumper pads marked 0° (*as shown*).

Adjustments should be done before mounting speakers to the wall:



Adjusting Tilt on Left / Right Speakers

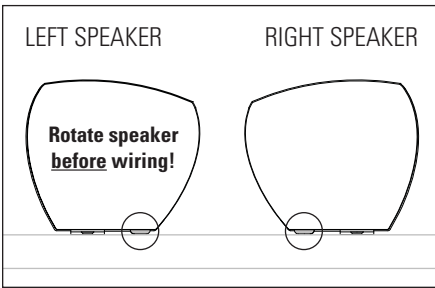


Fig. 9d – 1

The above image shows top view looking toward listening area. Pads must sit at edges closest to on-wall display.

LEFT SPEAKER: To tilt speaker inward, rotate speaker 180° then attach the pads marked 7° (*as shown*).

RIGHT SPEAKER: To tilt speaker inward, simply attach the pads marked 7° (*as shown*).

Adjusting Tilt on Center Speaker

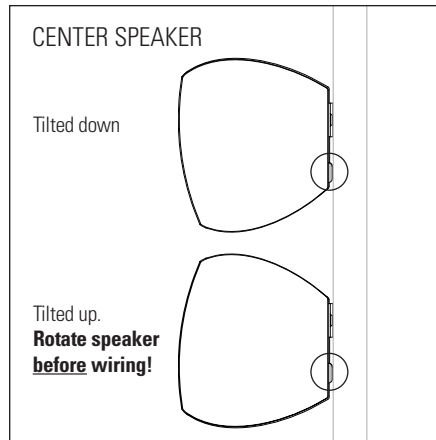


Fig. 9d – 2

CENTER SPEAKER: (shown in side view) To tilt speaker down, attach pads marked 7° (*as shown*). To tilt speaker up, rotate speaker 180° then attach pads marked 7° (*as shown*).

Mounting Speakers Parallel to Wall

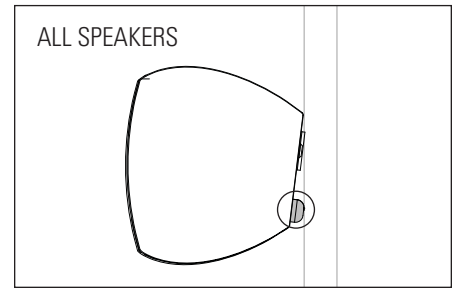


Fig. 9d – 3

To mount all speakers parallel to wall, attach pads marked 0° (*as shown*).

POSITIONING BUMPER PADS

Perspective in images shows only one pad. Two pads are required, positioned as shown on the lower recessed areas (shaded areas) of the keyhole slot sections (*see Inset below*).

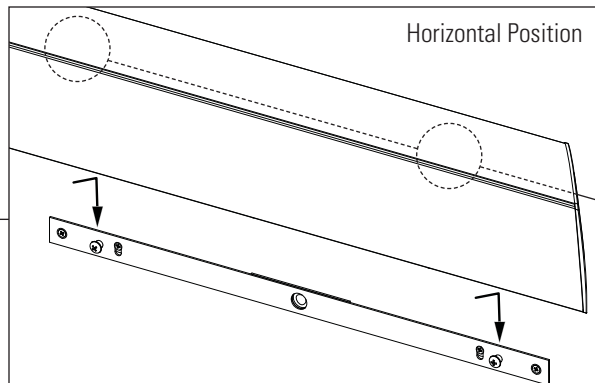
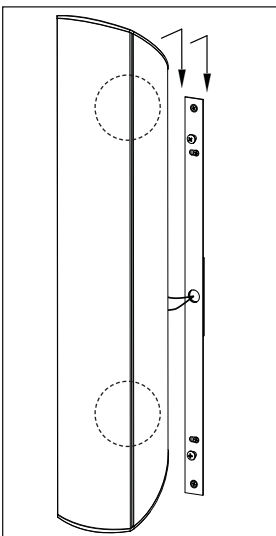
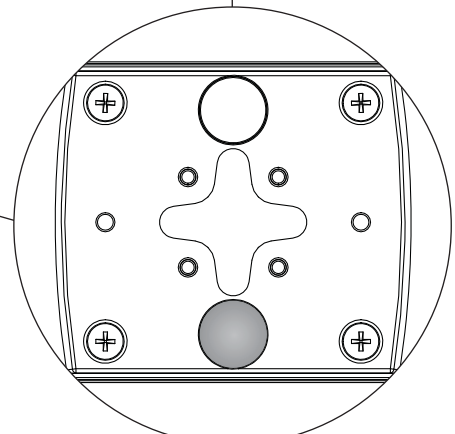


Fig. 9e

Align keyhole slots (*shown at right*) on rear of speaker with protruding screw heads on bracket, then using an "in-and-down" motion mount speaker on bracket.



keyhole slots

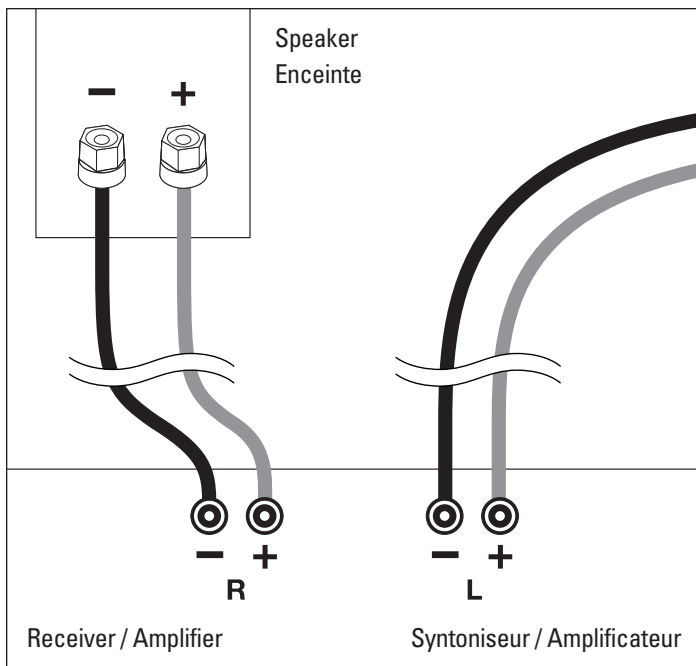


Fig. 10a

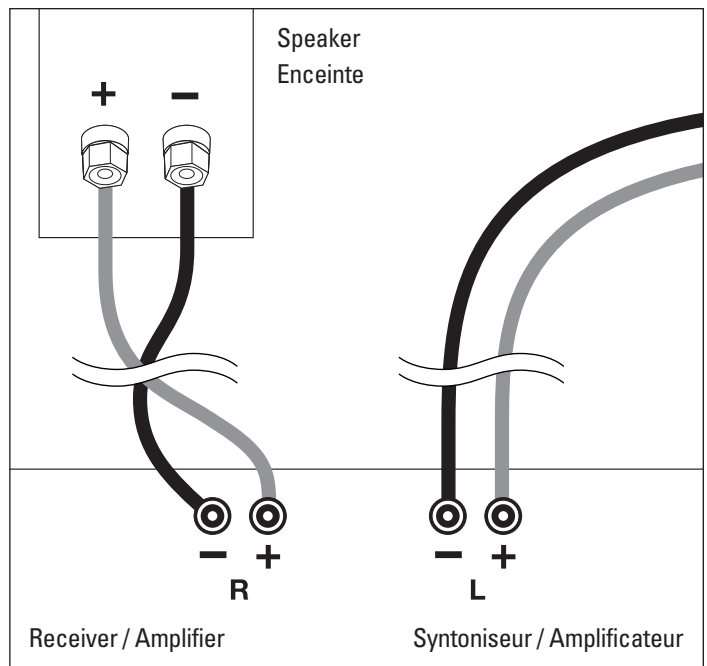


Fig. 10b Wiring when speakers are rotated 180°
Raccordement lorsque les enceintes sont tournées 180°

YOUR NEW SPEAKERS

Break-In

Although Millenia™ speakers sound great “out of the carton” they will sound even better once they are “broken in.” Allow them to play for several hours before you begin any critical listening.

High-frequency and midrange drivers use ferro-fluid that can thicken at temperatures below 10° C (50° F). Surround material used in the bass/midrange units is made of a compound that may stiffen in colder temperatures. If your speakers have been transported or stored in the cold, let them warm to room temperature before use.

Millenia™ LCR speakers are magnetically shielded for use near a television. The grille logo can be positioned vertically or horizontally.

Cleaning

Millenia™ speakers have a premium finish that must be treated with care. Use only a damp soft cloth to clean. Never use strong, abrasive or corrosive cleaning products. Common household cleaning products should also be avoided.

Base Assembly—Floorstanding Speakers



IMPORTANT! See Fig. 2, page 3 for important information about grille removal and reinstallation.

Millenia™ floorstanding speakers sit on a tempered glass base. For stability, isolation spikes or isolation spikes capped with rubber pads (see Fig. 1) must be used under the base. Isolating the speakers/base from the floor in this manner will further improve sound. See Fig. 1 for base assembly instructions and recommendations.

On-Wall/Stand-Mounted LCR Speakers



IMPORTANT: Paradigm DOES NOT supply hardware for mounting LCR brackets to the wall. Mounting hardware used is an example only; it will vary depending on wall type. If you are not comfortable performing this procedure, contact Dealer.

Your Millenia™ LCR speakers have keyhole slots in the backs of their enclosures which allow for wall mounting with the brackets included. See the section on Wall Mounting later in this manual for more information.

Some Millenia™ LCR speakers can be placed on optional Paradigm® stands. Holes on the rear of speakers align with holes in the tops of stands to allow speaker and stand to be screwed together for added stability. Mounting screws and instructions are provided with stands.

Placement on Top of a TV or Shelf

If you are placing your Millenia™ center (LCR) speaker on top of a TV, shelf or other flat surface, for stability you must use the adjustable TV-Top/Shelf Supports included. For more information see the section on Speaker Placement later in this manual.

HOW TO AVOID SPEAKER DAMAGE

Millenia™ speakers are efficient and can be driven to loud listening levels with moderate amplifier power. They are also able to handle the output of very powerful amplifiers. To prevent damage to your speakers, please read the following guidelines before hooking them up.

Amplifier Distortion—The #1 Culprit!

Amplifier distortion is the principal cause of speaker damage. When listening at loud levels your amplifier may run out of clean power. It will then begin to produce distorted power several times greater than its rated output power. This will damage any brand of speaker very quickly! (*See Dealer for amplifier recommendations.*)

More Powerful Amplifiers are Safer

A 40 watt/channel amplifier will have substantial distortion above 40 watts. If driven to 50 watts, this amplifier will deliver distorted power which will damage the speaker! A 100 watt/channel amplifier will have substantial distortion above 100 watts, but very low distortion below 100 watts. Therefore, when the speaker requires 50 watts, this more powerful amplifier will deliver clean power and speaker damage is less likely to occur.

Volume Control

Do not be fooled by the Volume Control of your receiver/preamplifier. It only adjusts listening level—it is not a “power-output” dial. The amount of amplifier power actually used at a given Volume Control setting depends solely on the nature of the music you are listening to.

At a given Volume Control setting a quiet section of music will use less amplifier power than a loud section. With typical pop-rock, jazz or large scale classical music, the rated output power of many receivers/amplifiers

is often reached when the Volume Control is between the “11 and 1 o’clock” settings (with bass/treble and loudness controls not used—otherwise rated power may be reached at even lower Volume Control settings).

Remember, all amplifiers produce distortion when operated beyond their rated output power. The resulting distortion will damage all speakers! Exercise caution! If you listen at loud levels, be careful to listen for the point of audible distortion—if the speakers begin to sound distressed turn the Volume Control down or your speakers and/or amplifier(s) will be damaged! **This type of damage constitutes abuse and is not covered by the warranty.** If louder volumes are desired, obtain a more powerful amplifier.

There is a Limit!

Although more powerful amplifiers are safer, there is a point at which you could have more power than the speaker can handle. At that point you will overpower the speaker and damage it. Exercise caution! At loud levels do not increase bass/treble controls from zero and ensure that all loudness/contour/bass EQ buttons are off (otherwise rated output power will be reached at lower Volume Control settings). If you listen at loud levels, watch for excessive visible cone excursion (grille movement) from the woofer—then turn the Volume Control down.

The Right Amount of Power

A power-range rating is given as a guide to indicate the approximate minimum and maximum power input of your Millenia™ speakers. Amplifiers that exceed your speaker’s power-range rating are recommended. Their greater power reserves provide better sound. However, exercise caution! Use the speakers within their power-range rating to prevent damage—keep listening levels below the point of excessive woofer cone excursion.

ROOM ACOUSTICS

Millenia™ speakers are designed to provide superior high-end sound in a wide variety of domestic settings. However, it is important to note that listening room construction, dimensions and furnishings all play a part in the quality of sound you will ultimately achieve. Keep the following guidelines in mind when deciding on the best speaker placement:

- Mid and high frequencies are affected by the amount of soft furnishings your room—curtains, carpets, sofas, wall coverings, etc. An excess of such items can result in a somewhat dull sound. The same room without any soft furnishings can produce a bright overall sound. The typical quantity of soft furnishings found in most living situations provides the right acoustic characteristics to allow the speakers to sound balanced.

- Concrete floors and walls tend to aggravate low-frequency standing wave problems and are less preferred.
- Rooms where height, width and length are similar should be avoided as they can exhibit significant low-frequency standing wave problems. This may result in reduced clarity. If no other room is possible, experiment with speaker placement to minimize acoustic problems.

SPEAKER PLACEMENT

FLOORSTANDING FRONT SPEAKERS

Millenia™ floorstanding speakers are designed to allow flexible placement while providing a very large window of sound throughout your listening room. To ensure the best high-end performance possible however, we strongly recommend that you observe the following placement guidelines:

Accurate Timbre (Fig. 3)

For the most accurate and natural timbre, position speakers so that sound from the high-frequency drivers reaches the listener at approximately ear level.

Balanced Bass Performance (Figs. 4a, 4b)

Placing front speakers in corners will over-emphasize bass and reduce overall clarity. Avoid corner placement (Fig. 4a). Position the speakers 8 inches (20 cm) or more from the wall behind the speaker and as much as possible from either side wall (Fig. 4b). This will ensure better bass performance and optimal midrange clarity.

Optimal Imaging (Fig. 5)

Measure the distance from your main listening area to the speakers ("X"). For best imaging, place front speakers from three-quarters of that distance up to that same distance from each other (3/4 of "X" to "X"). To further optimize imaging, turn speakers slightly inward so they point toward the listening position with their axes crossing just behind it.

ON-WALL FRONT (Left/Right) SPEAKERS (Fig. 6)


Millenia™ On-Wall Left and Right (LCR) speakers allow higher than usual placement of the high-frequency drivers, a particularly important feature when wall mounting. Mounting them farther apart on the wall than the width of your TV will promote an even wider, deeper listening window. Keeping

the above in mind, measure the distance from your main listening area to the front speakers ("X"). For best imaging, mount speakers on the wall from three-quarters of that distance up to the same distance from each other (3/4 of "X" to "X"). See the section on Wall Mounting later in this manual.

ON-WALL CENTER SPEAKER (LCR speaker used in horizontal configuration) (Figs. 7, 8)

Mount your Millenia™ On-Wall (LCR) center speaker on the wall horizontally, directly above or below your TV, whichever position is closer to ear level. This will ensure the most uniform timbral response with the rest of your system. It should be about the same distance away from the primary listening area as your front Left and Right speakers. *(Some A/V receivers/processors can electronically adjust for differences in distance.)* See the section on Wall Mounting later in this manual.

Your center speaker can also be placed on top of a TV, or on a shelf (Fig. 7):

 **IMPORTANT! If you are placing your center speaker on top of a TV or shelf, for stability you must use the adjustable TV-Top/Shelf Supports included.**

Installation of the TV-Top/Shelf Supports (Fig. 8):

1. Connect speaker as outlined in "Speaker Connection" later in this manual.
2. Align screws (*included*) with horizontal markings on the TV-Top/Shelf Support; insert screws into 60-mm-spaced holes on the back of the speaker, tighten slightly.
Repeat for second support, aligning screws so that heights of both supports match and speaker sits level. Tighten all screws.
3. Apply self-adhesive rubber pads (*as shown, included*), so that speaker sits securely and cannot slip.
4. To adjust the tilt angle of the speaker (if desired), loosen screws and slide both brackets up or down until desired angle is achieved (*not shown*). Retighten all screws.

WALL MOUNTING (Figs. 9a – 9e)



IMPORTANT: Paradigm DOES NOT supply hardware for mounting LCR brackets to the wall. Mounting hardware used is an example only; it will vary depending on wall type. If you are not comfortable performing this procedure, contact Dealer.



IMPORTANT: When mounting the speakers, use the bumper pads marked with the angle you wish to achieve.

INSTALLING THE ON-WALL BRACKETS *(included)*

Brackets must be used when mounting Millenia™ LCR speakers on the wall. If desired:

- To further optimize imaging, you can tilt Left and Right speakers inward 7° (Fig. 9d – 1) positioning the self-adhesive bumper pads marked 7° *(as shown)*.

- To further optimize clarity and intelligibility, you can tilt the center channel up 7° or down 7° (Fig. 9d – 2) positioning the bumper pads marked 7° *(as shown)*.
- You can also mount the speakers parallel to the wall (Fig. 9d – 3) positioning the self-adhesive bumper pads marked 0° *(as shown)*.

For complete details on wall mounting your speakers, see Figs. 9a – 9e in the pictorial illustrations at the front of this manual.

SPEAKER CONNECTION



Turn all amplifier(s) OFF before connecting your speakers. This will avoid damage which could result from accidental shorting of speaker cables.

Your speakers are equipped with binding posts that can be used with pin or spade (except for Millenia™ 200/300) connectors as well as with bare wire. Banana plugs are included with Millenia™ 200 and 300 speakers. Using high-quality speaker cable *(see Dealer)*, connect one speaker at a time to your amplifier.

NOTE: To accommodate rotation of speaker, binding posts are not labelled for Left / Center / Right connection. Refer to Figs. 10a and 10b, then connect using the following information:

Connect the red (+) amplifier terminal to the red (+) speaker terminal and the black (–) to the black (–). Tighten the posts firmly by hand, but don't over-tighten them.

The following chart identifies the minimum gauge requirements for various cable lengths:

MINIMUM GAUGE REQUIREMENTS		
LENGTH	DIAMETER	GAUGE
Under 4.5 m (15 ft)	1.3 mm (0.05 in)	16 awg
Under 9 m (30 ft)	1.6 mm (0.06 in)	14 awg
Over 9 m (30 ft)	2.0 mm (0.08 in)	12 awg

FINE TUNING

Once you have your speakers positioned in the room and have set speaker distances and calibrated speaker levels through your Audio/Video Processor or A/V Receiver, it's time for a little fine tuning. Since Paradigm® Reference Millenia™ speakers provide exceptional performance in a variety of room settings, fine tuning is simply a matter of making slight adjustments *(if necessary)* to their placement in the room.

Start with just the front speakers and listen to familiar music in stereo. The soundstage will be both wide and deep, but this can be turned to your personal preference by adjusting the toe-in (the amount the speakers are turned toward the listening area). More toe-in will increase image depth and localization, less toe-in will increase image width. Adjust the toe-in in small increments,

listening each time, until you achieve the soundstage balance you prefer. Toe-in is not applicable to the other speakers in your system since their position and sound distribution pattern is fixed.

Fine tuning for center speakers is a matter of making volume level adjustments that may be required for a particular multi-channel music or movie program. If necessary, adjust your Audio/Video Processor's or A/V Receiver's volume levels to ensure there is a cohesive overall soundstage.

To fine tune your surround/rear speakers or the subwoofer, refer to the Owners Manual included with those speakers.

TROUBLESHOOTING GUIDE

PROBLEM	SOLUTION
No Sound	Make sure receiver, preamp or amplifier is plugged in and turned on. Check power outlet at the wall is working. Are headphones plugged in, or is the system on Mute? Re-check all connections.
No Sound from One or More Speakers	Check your balance control or VC-150 Volume Control (if using). Check that all power cords are properly plugged in and functioning. Swap a non-working speaker with one that works to determine if the problem is with the speaker or something else (i.e. wiring, amplifier).
Lack of Bass or Dislocated Image	One or more speakers may be connected out of phase (their polarity is reversed). Re-check to ensure that each speaker's cable is connected with correct polarity: red (+) to red (+) and black (-) to black (-).

LIMITED WARRANTY

Your Paradigm® Reference speakers are warranted to be and remain free of manufacturing and/or material defects for a period of **five (5)** years from the date of original purchase. Within the time period specified, repair, replacement or adjustment of parts for manufacturing and/or material defects will be free of charge to the original owner.

Thermal or mechanical abuse/misuse is not covered under warranty.

Limitations:

- Warranty begins on date of original retail purchase from an Authorized Paradigm® Dealer only. It is not transferable;
- Warranty applies to product in normal home use only. If product is subjected to any of the conditions outlined in the next section, warranty is void;
- Warranty does not apply if the product is used in professional or commercial applications.

Warranty is Void if:

- The product has been abused (intentionally or accidentally);
- The product has been used in conjunction with unsuitable or faulty equipment;
- The product has been subjected to damaging signals, derangement in transport, mechanical damage or any abnormal conditions;
- The product (including cabinet) has been tampered with or damaged by an unauthorized service facility;
- The serial number has been removed or defaced.

Owner Responsibilities:

- Provide normal/reasonable operating care and maintenance;
- Provide or pay for transportation charges for product to service facility;
- Provide proof of purchase (your sales receipt given at time of purchase from your Authorized Paradigm® Dealer must be retained for proof-of-purchase date).

Should servicing be required, contact your nearest Authorized Paradigm® Dealer, Paradigm Electronics Inc. or Import Distributor (outside the U.S. and Canada) to arrange, bring in or ship prepaid, any defective unit. Visit our website, www.paradigm.com for more information.

Paradigm Electronics Inc. reserves the right to improve the design of any product without assuming any obligation to modify any product previously manufactured.

This warranty is in lieu of all other warranties expressed or implied, of merchantability, fitness for any particular purpose and may not be extended or enlarged by anyone. In no event shall Paradigm Electronics Inc., their agents or representatives be responsible for any incidental or consequential damages. Some jurisdictions do not allow limitation of incidental or consequential damages, so this exclusion may not apply to you.

Retain this manual and your sales receipt for proof of warranty term and proof of purchase.



MODE D'EMPLOI | **OM-575**

SÉRIE MILLENIA^{MC} : ENCEINTES AVANT ET CENTRALE

Félicitations! Nous vous remercions d'avoir choisi ces enceintes Millenia^{MC} Paradigm^{MD} Reference. Vous allez entendre la différence que confèrent ces enceintes de pointe haut de gamme à votre système audio ou de cinéma maison.

La recherche et le développement exhaustifs, la conception de haut de gamme, l'utilisation des meilleurs matériaux et les techniques de fabrication et de contrôle de la qualité de pointe fournissent un rendement supérieur pour chaque pièce, à chacune des étapes de la conception. Vos enceintes Paradigm^{MD} Reference Millenia^{MC} vous fourniront un son étonnant et une qualité d'écoute sans égal pendant de nombreuses années.

Pour profiter pleinement de l'excellence sonore de ces enceintes, il importe d'apporter un soin particulier à leur installation et leur utilisation. Veuillez lire le présent manuel et suivre toutes les instructions. Pour toute autre question, contactez un revendeur Paradigm^{MD} Reference autorisé ou consultez la page Questions-Réponses à la section du soutien technique de notre site Internet au www.paradigm.com.



TABLE DES MATIÈRE

Assemblage de la base des enceintes au sol (figures)	3
Retrait et réinstallation de la grille (figures)	3
Positionnement et raccordement (figures)	4
Vos nouvelles enceintes	13
Pour éviter d'endommager les enceintes	16
Acoustique de la pièce	16

Positionnement des enceintes	17
Installation au mur	18
Raccordement des enceintes	18
Réglage fin	18
Guide de diagnostic	19
Garantie limitée	19

VOS NOUVELLES ENCEINTES

Rodage

Bien que les enceintes Millenia^{MC} offrent un excellent son « en sortant de la boîte », leur son sera encore meilleur après une période de rodage. Les laisser fonctionner pendant quelques heures avant une première écoute critique.

Les haut-parleurs des hautes et moyennes fréquences contiennent un fluide dont la viscosité augmente à des températures inférieures à 10 °C (50 F). Le matériel extérieur utilisé pour les unités basse/moyenne est fait d'un mélange qui peut durcir lorsque la température est plus froide. Si l'enceinte ont été transportées ou entreposées au froid, les laisser réchauffer à la température de la pièce avant de les utiliser.

Les enceintes GCD de Millenia^{MC} sont magnétiquement blindées pour en permettre l'utilisation près d'une télé. Le logo de la grille peut être placé en position verticale ou horizontale.

Nettoyage

Les enceintes Millenia^{MC} sont dotées d'un fini haut de gamme nécessitant un soin particulier. Ne les nettoyer qu'avec un linge humide doux. Ne jamais employer de détergent fort, abrasif ou corrosif. Éviter également les produits de nettoyage domestiques courants.

Base des enceintes à installation au sol



IMPORTANT! Voir la Figure 2 à la page 3 pour de l'information importante sur le retrait et la réinstallation de la grille.

Les enceintes au sol Millenia^{MC} reposent sur une base en verre trempé. Pour en assurer la stabilité, il faut installer des crampons d'isolement seuls ou recouverts de capuchons en caoutchouc (voir la Fig. 1) sous la base. Le fait d'isoler les enceintes/la base du plancher de la sorte améliorera la qualité sonore. Voir la Fig. 1 pour les instructions et recommandations concernant l'assemblage de la base.

Enceintes GCD au mur/sur support



IMPORTANT : Paradigm NE fournit PAS le matériel pour installer les supports GCD sur le mur. Le matériel utilisé est illustré à titre d'exemple uniquement et il variera en fonction du type de mur. Consulter le revendeur pour une installation professionnelle.

Les enceintes Millenia^{MC} GCD sont dotées de trous piriformes derrière le boîtier qui permettent de les monter sur un mur à l'aide des supports compris. Se reporter à la section sur l'installation au mur ci-dessous pour plus d'information.

Certaines enceintes GCD Millenia^{MC} peuvent être installées sur des supports Paradigm^{MD} vendus en option. Des trous à l'arrière de l'enceinte s'alignent avec des trous dans la partie supérieure du support pour permettre de visser l'enceinte à ce dernier pour une plus grande stabilité. Les vis de montage et les instructions sont incluses avec les supports.

Installation sur une télé ou une étagère

Si l'enceinte Millenia^{MC} (GCD) centrale est placée sur une télé, une étagère ou une autre surface plane, il faut utiliser les supports réglables pour télé/étagère inclus pour plus de stabilité. Voir la section sur le positionnement de l'enceinte du présent manuel pour plus de renseignements.

INSTALLATION DU SUPPORT POUR LE MILLENIA^{MC} 20 ET LE MILLENIA^{MC} 30 (Figs. 9a – 9e)

IMPORTANT : veuillez lire ces remarques avant d'installer les supports



Paradigm NE fournit **PAS** le matériel nécessaire pour monter les supports sur le mur. Le matériel est illustré à titre d'exemple uniquement; le matériel variera en fonction du type de mur.



Installez les supports sur une cloison sèche de 1/2 po (13 mm) ou de 5/8 po (15 mm) **uniquement**. Les vis doivent être assez longue pour passer dans les boulons d'ancrage et être fixées fermement dans la cloison sèche (voir le cercle en médaillon ci-dessous).

LISTE DE PIÈCES DU SUPPORT (par enceinte) :

- 1 – support de montage mural (avec deux têtes de vis saillantes) • 2 – ensembles de coussins auto-adhésifs (marqués pour une inclinaison de 0° ou 7°)

PIÈCES NÉCESSAIRES, NON COMPRIS (par enceinte) :

- 4 – boulons d'ancrage (charge nominale minimale de 25 lb / 11,3 kg) • 4 – vis à tête plates (fraisées)

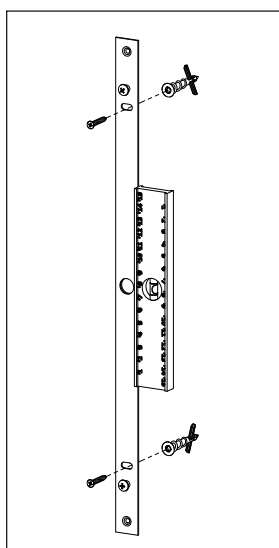


Fig. 9a

REMARQUE : cette étape concerne le positionnement uniquement. Les vis seront enlevées à la prochaine étape afin de permettre l'installation de boulons d'ancrage supplémentaires.

Placez le support et assurez-vous qu'il est de niveau. Marquez les deux trous de vis intérieurs. Percez des trous de guidage, puis enfoncez fermement les boulons d'ancrage dans la cloison sèche et vissez-les. Vissez ensuite les vis à tête plate : **NE VISSEZ PAS COMPLÈTEMENT À CETTE ÉTAPE**—laissez les têtes de vis sortir un peu.

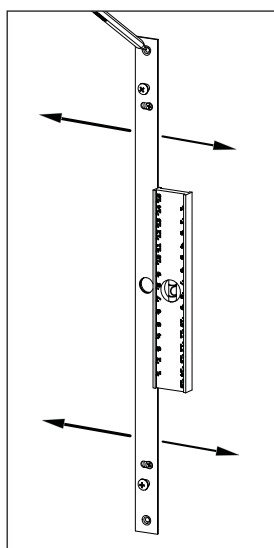


Fig. 9b

Le support contient des fentes (voir l'illustration), afin de permettre un réglage vers la gauche ou la droite, le cas échéant. Revérifiez pour vous assurer que le support est au niveau. Marquez les trous de vis extérieurs.

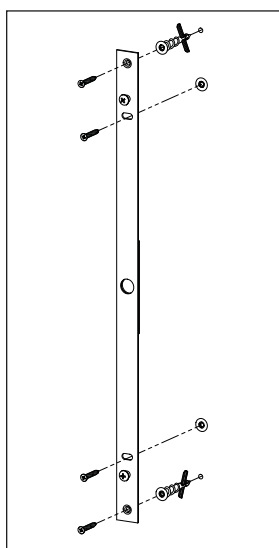
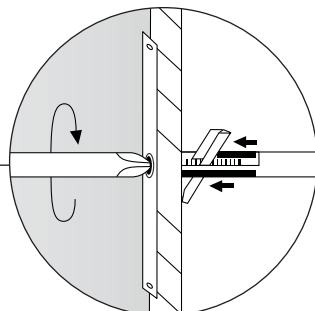


Fig. 9c

Retirez les deux vis à tête plate (non illustrées). Percez les trous de guidage extérieurs, puis enfoncez fermement les boulons d'ancrage dans la cloison sèche et vissez-les. Insérez ensuite les quatre vis à tête plate et serrez.



MISE EN GARDE! Pour plus de stabilité, les 4 vis à tête plate **DOIVENT** être utilisées.



MISE EN GARDE! Toutes les vis doivent être insérées en ligne droite et entièrement ouvertes pour assurer le fonctionnement approprié des boulons d'ancrage.

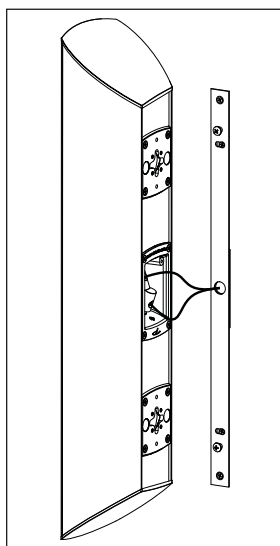


Fig. 9d (Avant de raccorder l'enceinte, consultez la remarque à la Fig. 9d – 1 et 9d – 2 ci-dessous)

RACCORDEMENT DE L'ENCEINTE

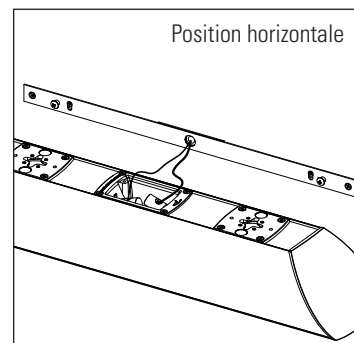
Passer les câbles dans le trou du centre du support et branchez l'enceinte en suivant les renseignements de la page 18.

RÉGLAGE DE L'ANGLE D'INCLINAISON DE L'ENCEINTE

Les coussins autocollants (*compris*) vous permettent de régler l'angle selon lequel l'enceinte est placée sur le mur :

- Pour optimiser l'imagerie sonore, vous pouvez incliner les enceintes de gauche ou de droite de 7° vers l'intérieur (Fig. 9d – 1) en apposant les coussins autocollants marqués à 7° (*tel qu'illustré*).
- Pour optimiser davantage la clarté et l'intelligibilité, vous pouvez incliner l'enceinte centrale de 7° vers le haut ou de 7° vers le bas (Fig. 9d – 2) en plaçant les coussins autocollants marqués à 7° (*tel qu'illustré*).
- Vous pouvez monter les enceintes en parallèle au mur (Fig. 9d – 3) en plaçant les coussins autocollants marqués à 0° (*tel qu'illustré*).

Les réglages doivent être effectués avant de monter les enceintes sur le mur :



Réglage de l'inclinaison des enceintes de gauche/droite

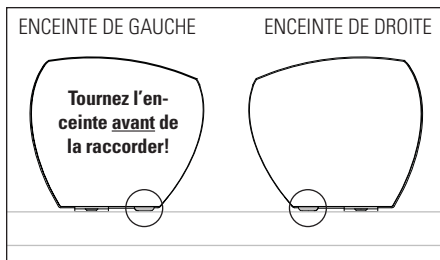


Fig. 9d – 1

L'image ci-dessus montre une vue de haut de l'orientation vers la zone d'écoute. Les coussins doivent être placés sur les rebords les plus près du montage mural.

ENCEINTE DE GAUCHE : pour incliner l'enceinte vers l'intérieur, tournez l'enceinte de 180° puis fixer le coussin marqué à 7° (*tel qu'illustré*).

ENCEINTE DE DROITE : pour incliner l'enceinte vers l'intérieur, fixez simplement les coussins marqués à 7° (*tel qu'illustré*).

Réglage de l'inclinaison de l'enceinte centrale

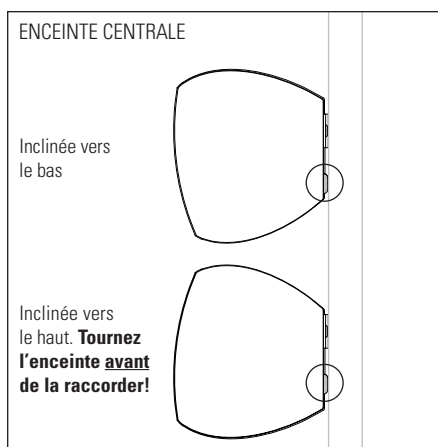


Fig. 9d – 2

ENCEINTE CENTRALE : (vue latérale) Pour incliner l'enceinte vers le bas, fixez les coussins marqués à 7° (*tel qu'illustré*). Pour incliner l'enceinte vers le haut, tournez l'enceinte de 180°, puis fixez les coussins marqués à 7° (*tel qu'illustré*).

Monter les enceintes en parallèle au mur

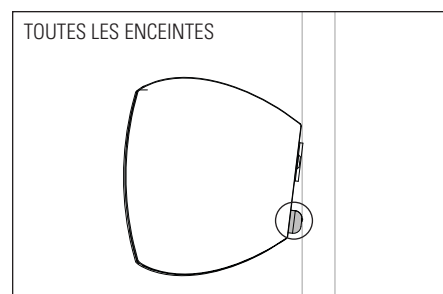


Fig. 9d – 3

Pour monter toutes les enceintes en parallèle au mur, fixez les coussins marqués à 0° (*tel qu'illustré*).

POSITIONNEMENT DES COUSSINS

Les images en perspective illustrent un seul coussin. Deux coussins sont nécessaires, placés tel qu'illustré dans la zone en médaillon plus basse (zone ombragée) de la section du trou en poire (médaillon ci-dessous).

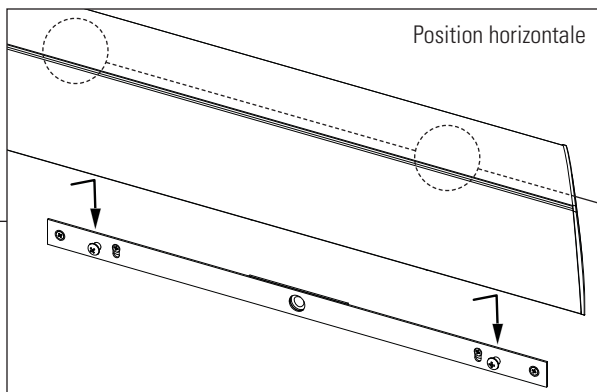
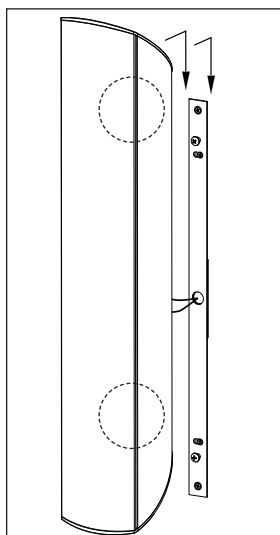
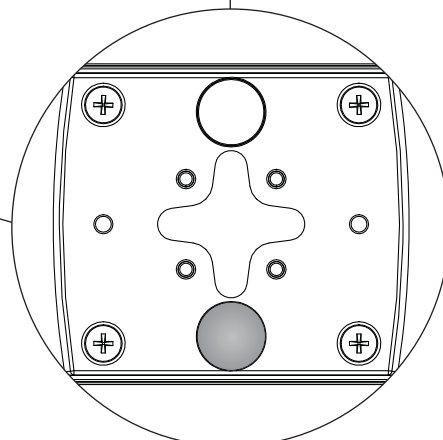


Fig. 9e

Alignez les trous piriformes (*montrés à droite*) de la partie arrière de l'enceinte sur les têtes de vis saillantes du support, puis montez l'enceinte sur le support à l'aide d'un mouvement de « haut en bas ».



Trous piriformes

POUR ÉVITER D'ENDOMMAGER LES ENCEINTES

Les enceintes sont efficaces et peuvent produire des volumes élevés à des puissances de sortie modérées de l'amplificateur. Elles peuvent également être jumelées à des amplificateurs haute puissance. Pour éviter d'endommager les enceintes, lire les directives suivantes avant de procéder à leur raccordement.

Distorsion de l'amplificateur—Le principal fautif!

La distorsion de la puissance provenant de l'amplificateur est la principale cause de dommages aux enceintes. À volumes élevés, il peut arriver que la puissance de l'amplificateur soit tout simplement insuffisante. L'amplificateur produira alors un signal distordu dont la puissance est de plusieurs fois supérieure à la puissance nominale. Cette puissance excessive endommagera très rapidement toute enceinte, peu importe la marque! (*Consulter le revendeur pour des recommandations en matière d'amplificateurs.*)

Les amplificateurs plus puissants sont plus sûrs

Un amplificateur de 40 W/canal produira une importante distorsion à des puissances supérieures à 40 W. Si la puissance sollicitée est de 50 W, il produira un signal distordu qui endommagera l'enceinte! Un amplificateur de 100 W/canal présentera une importante distorsion à plus de 100 W, mais très peu de distorsion à des puissances moindres. Ainsi, si l'enceinte sollicite 50 W, cet amplificateur produira un signal non distordu, réduisant ainsi les risques de dommages à l'enceinte.

Commande de volume

La commande de volume de l'amplificateur peut être trompeuse puisqu'elle permet seulement d'ajuster le volume d'écoute, mais n'indique pas la puissance de sortie. La puissance fournie par l'amplificateur à un réglage donné de la commande de volume dépend uniquement de la musique écoutée.

À un réglage donné de la commande de volume, un passage de musique douce sollicitera moins de puissance de l'amplificateur qu'un passage plus percutant. Pour l'écoute de pop/rock, de jazz ou de musique classique symphonique, le réglage de la commande de volume de la plupart des amplificateurs à une position entre 11 h et 13 h sur le cadran fournit environ la puissance nominale

de l'amplificateur, à moins que les fonctions de compensation (bass/treble ou loudness) ne soient utilisées, dans lequel cas la puissance nominale pourrait être atteinte à un réglage plus faible de la commande de volume.

Il importe de se rappeler que tout amplificateur produira une distorsion si la puissance sollicitée excède sa puissance de sortie nominale. Cette distorsion endommagera les enceintes! Il faut donc faire attention! Pendant l'écoute à volume élevé, il faut surveiller toute distorsion possible—si le son provenant de l'enceinte semble distordu, réduire le volume pour ne pas endommager les enceintes et/ou l'amplificateur! **La garantie ne couvre pas ce type de détérioration!** Pour l'écoute à des volumes plus élevés, utiliser un amplificateur plus puissant.

Il y a une limite!

Bien qu'un amplificateur plus puissant soit plus sûr, il existe une limite à la puissance que peut supporter l'enceinte. Au-delà de cette limite, l'enceinte subira des dommages. Il faut donc faire attention! À volume élevé, les commandes des basses/aigues (bass/treble) devraient être en position « zéro » et tous les boutons de compensation ou d'égalisation (loudness/contour/bass EQ), désactivés, à défaut de quoi la puissance nominale sera atteinte à un réglage moindre du volume. Lors de l'écoute à volume élevé, vérifier s'il y a excursions excessives des cônes (mouvement de la grille) des haut-parleurs des graves. Le cas échéant, réduire le volume.

La bonne puissance

La plage de puissance nominale donne une idée des puissances d'entrée minimum et maximum des enceintes. Il est recommandé d'utiliser un amplificateur dont la puissance nominale excède la plage de puissance des enceintes. Cette puissance « de réserve » de l'amplificateur se traduira par une meilleure qualité sonore. Toutefois, il faut faire attention! Les enceintes doivent être utilisées dans leur plage de puissance pour ne pas les endommager—le volume d'écoute doit toujours être inférieur à la limite d'excursion excessive des cônes des haut-parleurs des graves.

ACOUSTIQUE DE LA PIÈCE

Les enceintes Millenia^{MC} sont conçues pour offrir un son haut de gamme dans divers milieux d'écoute intérieurs. Il importe toutefois de noter que la construction et les dimensions de la pièce, ainsi que son contenu ont tous une incidence sur la qualité sonore qu'il sera possible d'obtenir. En général, il est recommandé d'observer les directives suivantes en ce qui concerne le positionnement des enceintes :

- La quantité d'objets « mous » (rideaux, moquettes, sofas, revêtements muraux, etc.) que renferme la pièce aura une incidence sur les moyennes et hautes fréquences. S'ils sont trop nombreux, ces objets peuvent émousser le son produit par les enceintes. La même pièce sans aucun objet mou offrira un son généralement clair. Une quantité normale de ces objets dans la pièce offrira les caractéristiques acoustiques permettant d'obtenir des enceintes un son équilibré.

- Les planchers et murs en béton ont tendance à amplifier les problèmes liés aux ondes stationnaires des basses fréquences et ne sont donc pas idéals.
- Les pièces de hauteur, largeur et longueur semblables ne sont pas recommandées puisqu'elles peuvent se traduire par d'importants problèmes d'ondes stationnaires des basses fréquences qui réduisent la précision du son. Si aucune autre pièce n'est disponible, essayer différentes configurations du positionnement des enceintes afin de minimiser ces problèmes.

POSITIONNEMENT DES ENCEINTES

ENCEINTES AU SOL

Les enceintes avant gauche/droite Millenia^{MC} sont conçues pour offrir une grande souplesse dans le choix de leur emplacement tout en produisant une très vaste couverture sonore dans toute la salle d'écoute. Pour la meilleure performance possible, il est toutefois recommandé de suivre les directives suivantes sur le positionnement des enceintes.

Précision du timbre sonore (Fig. 3)

Pour obtenir le timbre le plus précis et le plus naturel possible, placer les enceintes de sorte que le son émanant des haut-parleurs de hautes fréquences parvienne à l'auditeur environ au niveau des oreilles.

ENCEINTES GCD AVANT AU MUR (Fig. 6)

Les haut-parleurs de hautes fréquences des enceintes GCD Millenia^{MC} peuvent être placés plus haut que la normale, ce qui est particulièrement important pour les enceintes au mur. Un espacement des enceintes supérieur à la largeur de la télé permettra d'obtenir une couverture sonore plus vaste et profonde.

ENCEINTE CENTRALE AU MUR (Enceintes GCD en configuration horizontale) (Figs. 7, 8)

Installer l'enceinte centrale Millenia^{MC} GCD horizontalement au mur, directement au-dessus ou au-dessous de la télé, à la position se rapprochant le plus du niveau de l'oreille, pour obtenir de votre système le timbre sonore le plus uniforme possible. L'enceinte centrale devrait se situer environ à la même distance de la principale aire d'écoute que les enceintes gauche et droite. *(Certains processeurs et récepteurs A/V compensent électroniquement la différence entre ces distances.)* Voir la section sur l'installation au mur du présent manuel.

L'enceinte centrale peut également être installée sur une télé ou une étagère (Fig. 7) :



IMPORTANT! Si l'enceinte centrale GCD est placée sur une télé ou une étagère, il faut utiliser les supports réglables pour télé/étagère inclus pour plus de stabilité.

Basses fréquences équilibrées (Figs. 4a, 4b)

Le positionnement des enceintes avant dans les coins de la pièce accentuera les graves et réduira la clarté du son. Éviter de placer les enceintes dans les coins (Fig. 4a). Positionner chaque enceinte à 20 cm (8 po) ou plus du mur situé derrière elle et le plus loin possible des murs latéraux (Fig. 4b) pour une meilleure performance des graves et une clarté maximum des fréquences moyennes.

Image optimale (Fig. 5)

Mesurer la distance de la principale aire d'écoute aux enceintes (distance « X »). Pour une image sonore optimale, installer les enceintes avant de sorte qu'elles soient séparées l'une de l'autre d'une distance allant des trois quarts de « X » à « X ». Pour une image encore meilleure, orienter les enceintes vers l'aire d'écoute de sorte que leurs axes se croisent juste derrière cette dernière.

Mesurer la distance de la principale aire d'écoute aux enceintes avant (distance « X »). Pour une image optimale, placer les enceintes de sorte qu'elles soient séparées l'une de l'autre d'une distance allant des trois quarts de « X » à « X ». Voir la section sur l'installation au mur du présent manuel.

L'installation de ces supports effectuée comme suit (Fig. 8) :

1. Raccorder l'enceinte conformément à la section sur le raccordement des enceintes du présent manuel.
2. Aligner les vis (*comprises*) et les marques horizontales sur le support; insérer les vis dans les trous espacés de 60 mm à l'arrière de l'enceinte et les serrer légèrement.

Faire de même pour le deuxième support, en alignant les vis de sorte que les deux supports soient de même hauteur et que l'enceinte soit de niveau. Serrer toutes les vis.
3. Apposer les coussins en caoutchouc autocollants (*tel qu'illustré, compris*) de la façon indiquée, pour fixer l'enceinte solidement et l'empêcher de glisser.
4. Pour modifier l'inclinaison de l'enceinte (*le cas échéant*), desserrer les vis et faire glisser les supports jusqu'à obtention de l'angle souhaité (*non illustré*). Resserrer toutes les vis.

INSTALLATION AU MUR (Figs. 9a – 9e)



IMPORTANT : Paradigm NE fournit PAS le matériel pour installer les supports (GCD) sur le mur. Le matériel utilisé est illustré à titre d'exemple uniquement et il variera en fonction du type de mur. Consulter le revendeur pour une installation professionnelle.



IMPORTANT : lorsque vous montez les enceintes, utiliser les coussins marqués à l'angle que vous souhaitez obtenir.

INSTALLATION DES SUPPORTS MURAUX (compris)

Vous devez utiliser des supports lorsque vous montez les enceintes Millenia^{MC} (GCD) sur le mur.

- Pour optimiser l'image sonore, vous pouvez incliner les enceintes de gauche et de droite vers l'intérieur de 7° (Fig. 9d – 1) en apposant les coussins autocollants sur lesquels 7° est indiqué (tel qu'illustré).

- Pour optimiser la clarté et l'intelligibilité, vous pouvez incliner l'enceinte centrale de 7° vers le haut ou de 7° vers le bas (Fig. 9d – 2) en apposant les coussins autocollants marqués à 7° (tel qu'illustré).
- Vous pouvez monter les enceintes en parallèle au mur (Fig. 9d – 3) en plaçant les coussins autocollants marqués à 0° (tel qu'illustré).

Pour obtenir tous les détails sur le montage mural des enceintes, consulter les Figs. 9a – 9e dans les illustrations qui figurent au début de ce manuel.

RACCORDEMENT DES ENCEINTES



ÉTEINDRE le ou les amplificateurs avant de raccorder les enceintes. Ceci évitera les dommages pouvant résulter d'un court-circuit accidentel des câbles des enceintes.

Vos enceintes sont dotées de bornes de raccordement qui peuvent être utilisées avec des prises à broches, des cosses rectangulaires (sauf les enceintes Millenia^{MC} 200/300), ainsi qu'avec des fils nus. Des fiches banane sont incluses avec les enceintes Millenia^{MC} 200 et 300. Raccorder successivement chaque enceinte à l'amplificateur à l'aide de câbles d'enceintes acoustiques de haute qualité (consulter le revendeur).

REMARQUE : pour permettre de tourner l'enceinte, les poteaux de raccord ne sont pas étiquetés pour le raccord gauche / centre / droite. Consultez les schémas 10a et 10b, puis raccordez l'enceinte à l'aide des renseignements suivants.

Raccorder la borne rouge (+) de l'amplificateur à la borne rouge (+) de l'enceinte, et la borne noire (-) de l'amplificateur à la borne noire (-) de l'enceinte. Serrer fermement les bornes à la main, mais pas trop.

Le tableau ci-dessous indique le calibre minimum pour différentes longueurs de câble :

CALIBRE MINIMUM NÉCESSAIRE		
LONGUEUR	DIAMÈTRE	CALIBRE
Moins de 4,5 m (15 pi)	1,3 mm (0,05 in)	16 awg
Moins de 9 m (30 pi)	1,6 mm (0,06 in)	14 awg
Plus de 9 m (30 pi)	2,0 mm (0,08 in)	12 awg

RÉGLAGE FIN

Après avoir suivi les instructions du présent mode d'emploi, une fois que les enceintes sont positionnées dans la pièce et que les distances et la calibration des niveaux des haut-parleurs ont été réglées à l'aide du processeur ou du syntoniseur audiovisuel, un réglage fin peut s'imposer. Puisque les enceintes Paradigm^{MD} Reference Millenia^{MC} offrent une excellente performance dans différentes pièces, ce réglage consiste simplement en de petites modifications (au besoin) à leur positionnement dans la pièce.

Commencer par les enceintes avant. Faire jouer de la musique bien connue en mode stéréophonique. L'image sonore sera large et profonde, mais il est possible de la régler selon ses propres préférences en ajustant l'angle de convergence des enceintes (la mesure dans laquelle elles sont orientées vers l'air d'écoute). Un angle de convergence important produira une image

profonde et localisée, alors qu'un faible angle se traduira par une image plus large. Modifier légèrement l'angle de convergence des différentes enceintes en écoutant le résultat après chaque modification, jusqu'à obtention de l'image souhaitée. Ce concept ne s'applique pas aux autres enceintes du système puisque leur position et la distribution sonore qui en résulte ne varient pas.

En ce qui concerne les enceintes centrales, des modifications pourraient être nécessaires selon le programme multicanal donné de musique ou de film. Au besoin, régler les niveaux du processeur ou du syntoniseur audiovisuel pour obtenir une image sonore globale cohérente.

Pour le réglage des enceintes ambiophoniques/arrière ou du caisson de sous-graves, se reporter au mode d'emploi de chacune de ces enceintes.

GUIDE DE DIAGNOSTIC

PROBLÈME	SOLUTION
Aucun son	S'assurer que le préamplificateur ou l'amplificateur est branché et allumé. Vérifier que la prise de courant fonctionne correctement. Les écouteurs sont-ils branchés ou le système est-il en mode sourdine (mute)? Vérifier tous les raccords.
Aucun son d'une ou plusieurs enceintes	Vérifier la commande de réglage d'équilibre (balance) ou la commande de volume VC-150 (si elle est utilisée). Vérifier le branchement et le fonctionnement de tous les cordons d'alimentation. Remplacer l'enceinte qui ne fonctionne pas par une enceinte qui fonctionne pour vérifier si le problème est au niveau de l'enceinte ou ailleurs (c.-à-d. le filage, l'amplificateur).
Déficience des graves ou image disloquée	Il se peut qu'une des enceintes soit déphasée (polarité inversée). Vérifier de nouveau la polarité de chaque raccordement : rouge (+) à rouge (+) et noir (-) à noir (-)

GARANTIE LIMITÉE

Les enceintes Paradigm^{MD} Reference présentés dans ce manuel sont garanties contre les défauts de matériaux et de fabrication pendant une période de **cinq (5) ans** à compter de la date d'achat du matériel neuf. Durant cette période, la réparation, le remplacement ou le réglage de pièces pour des défauts de matériaux ou de fabrication ne seront pas à la charge du premier acheteur.

Les dommages causés par l'exposition abusive à la chaleur ou l'usage abusif ne sont pas couverts par la présente garantie.

Clauses spécifiques :

- La garantie entre en vigueur à la date d'achat par le premier acheteur chez un revendeur autorisé Paradigm^{MD}. La garantie n'est pas transférable;
- La garantie s'applique aux enceintes pour une utilisation domestique normale. Si les enceintes sont soumises à l'une des conditions définies dans le paragraphe suivant, la garantie est nulle;
- La garantie ne s'applique pas à un usage commercial ou professionnel.

La garantie est révoquée si :

- L'enceinte est soumise à un usage abusif (accidentel ou intentionnel);
- L'enceinte est utilisée avec un équipement défectueux ou non adéquat;
- L'enceinte est soumise à des signaux électriques dommageables, un transport dangereux, des dommages matériels ou toute autre condition anormale;
- L'enceinte (y compris le boîtier) sont altérés ou endommagés lors d'une réparation non autorisée;
- La plaque du numéro de série du produit est enlevée ou défigurée.

Responsabilités du propriétaire :

- Apporter un soin et un entretien normaux et raisonnables;
- Assumer les frais de transport jusqu'à l'atelier de réparation;
- Fournir une preuve d'achat (conserver le reçu fourni lors de l'achat par le revendeur autorisé Paradigm^{MD} comme preuve de la date d'acquisition).

Si une réparation est nécessaire, contacter le revendeur autorisé Paradigm^{MD}, Paradigm Electronics Inc. ou le distributeur à l'étranger (à l'extérieur du Canada et des États-Unis) pour planifier l'envoi prépayé de l'enceinte défectueuse. Consulter le site Web www.paradigm.com pour plus d'information.

Paradigm Electronics Inc. se réserve le droit d'améliorer ou de modifier ses produits en tout temps sans responsabilité ou engagement envers les produits existants.

La présente garantie de qualité marchande tient en lieu et place de toute autre garantie explicite ou implicite et ne peut être modifiée, élargie ou étendue à d'autres obligations par quiconque. Paradigm Electronics Inc. et ses représentants ou agents ne peuvent pas être tenus responsables de dommages découlant de l'utilisation de ces produits. Là où une réglementation spécifique interdit une telle limitation de la responsabilité, cette exclusion ne s'applique pas.

Conserver le présent manuel et le reçu comme preuves d'achat jusqu'au terme de la garantie.

Paradigm[®]

w w w . p a r a d i g m . c o m

Free Manuals Download Website

<http://myh66.com>

<http://usermanuals.us>

<http://www.somanuals.com>

<http://www.4manuals.cc>

<http://www.manual-lib.com>

<http://www.404manual.com>

<http://www.luxmanual.com>

<http://aubethermostatmanual.com>

Golf course search by state

<http://golfingnear.com>

Email search by domain

<http://emailbydomain.com>

Auto manuals search

<http://auto.somanuals.com>

TV manuals search

<http://tv.somanuals.com>