



ADP™ Surround/Rear Speakers

Thank you for choosing Paradigm® Reference ADP™ Surround/ Rear speakers and congratulations! You are about to hear the difference these state-of-the-art high-end speakers will make in your music and home theater system.

These speakers are the product of countless hours of comprehensive research and development and will reward you with superior high-end sound for many years.

To achieve all of the exceptional sound they are capable of providing requires care in installation and operation. Please take the time to read this manual and follow all instructions. If you have further questions contact your Authorized Paradigm® Reference Dealer or visit the Q&A page in the Tech Support section of our website at www.paradigm.com



PARADIGM® REFERENCE





RECYCLING AND REUSE GUIDELINES (Europe)

In accordance with the European Union WEEE (Waste Electrical and Electronic Equipment) directive effective August 13, 2005, we would like to notify you that our speakers may contain regulated materials which, upon disposal, require special reuse and recycling processing. For this reason Paradigm Electronics Inc. (the manufacturer of Paradigm speakers and Anthem electronic products) has arranged with its distributors in European Union member nations to collect and recycle this product at no cost to you. To find your local distributor please contact the dealer from whom you purchased this product or go to our website at www.paradigm.com.

Please note that only the product falls under the WEEE directive. When disposing of packaging and other shipping material we encourage you to recycle through the normal channels.

DIRECTIVES EUROPEENNES SUR LE RECYCLAGE ET LE TRAITEMENT DES DECHETS

Dans le respect de la directive WEEE (Waste Electrical & Electronic Equipment) mise en place par les institutions Européennes à compter du 13 Août 2005, nous souhaitons vous informer que nos enceintes peut contenir des matières devant faire l'objet d'une procédure de recyclage ou de traitement approprié des déchets. Dans cette optique, Paradigm Electronics Inc (fabricant des enceintes Paradigm et des électroniques Anthem) avec ses Distributeurs agréés dans l'Union Européenne, ont mis en place une procédure de collecte et de retraitement gratuite. Pour en savoir davantage sur cette procédure veuillez contacter votre revendeur, ou notre Distributeur dans votre pays (vous en obtiendrez les coordonnées sur simple demande ou en consultant notre site internet www.paradigm.com <<http://www.paradigm.com>).

Notez que seul le produit fini est concerné par cette directive et ses obligations. S'agissant de son emballage et de ses accessoires de transport nous vous recommandons de les recycler selon les procédures mises en place par votre commune ou votre département.

TABLE OF CONTENTS

Speaker Placement and Connection (Pictorial)	1	About Surround/Rear Speakers	4	Fine Tuning	6
Your New Speakers	3	Room Acoustics	5	Troubleshooting Guide	6
Preventing Speaker Damage	3	Speaker Placement	5	Limited Warranty	7
		Speaker Connection	5		

SPEAKER PLACEMENT AND CONNECTION *(pictorial)*

POSITIONNEMENT ET RACCORDEMENT DES ENCEINTES *(figures)*

NOTE: For optimal placement of Front (Left and Right) speakers, the Center Channel, and the Subwoofer, please refer to the Owners Manual included with those speakers.

REMARQUE : Pour un positionnement optimal des enceintes avant (gauche et droite), du canal central et du caisson de sous-graves, se reporter aux modes d'emploi fournis avec ces enceintes.

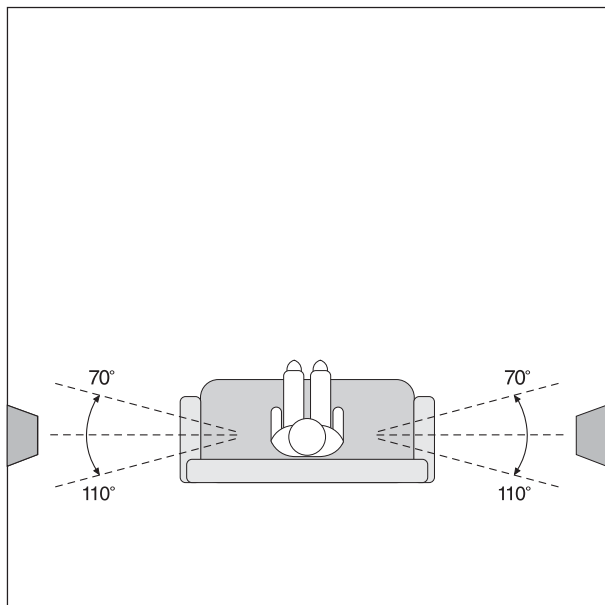


Fig. 1a

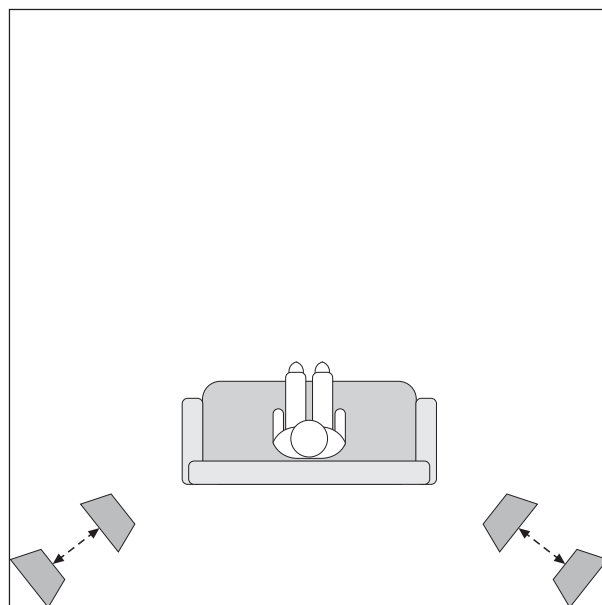


Fig. 1b

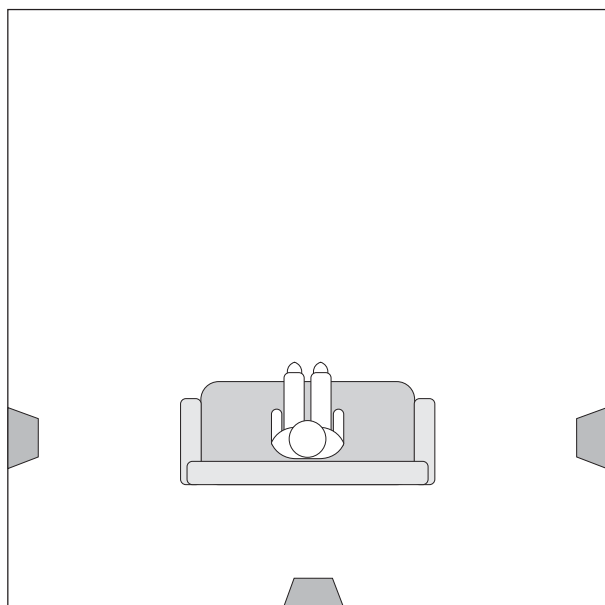


Fig. 1c

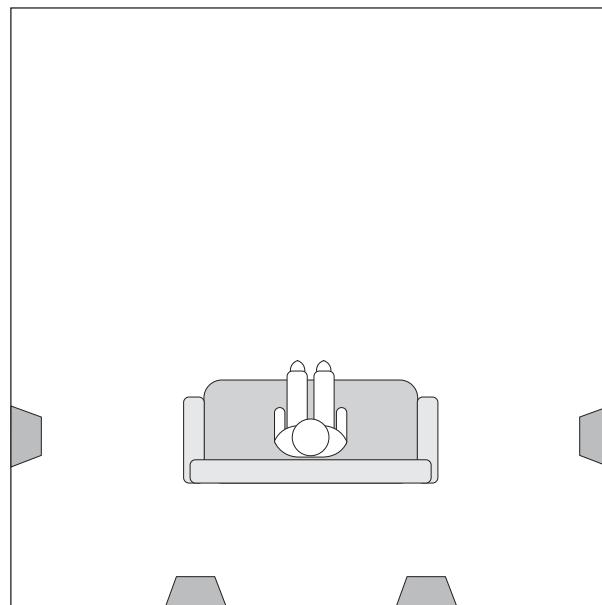


Fig. 1d



Fig. 2

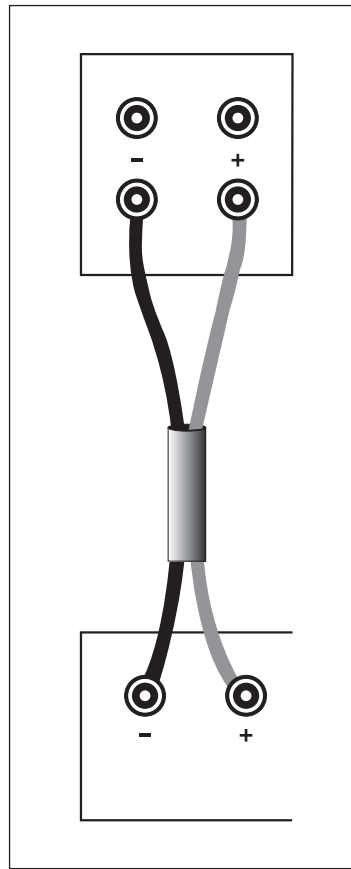


Fig. 3

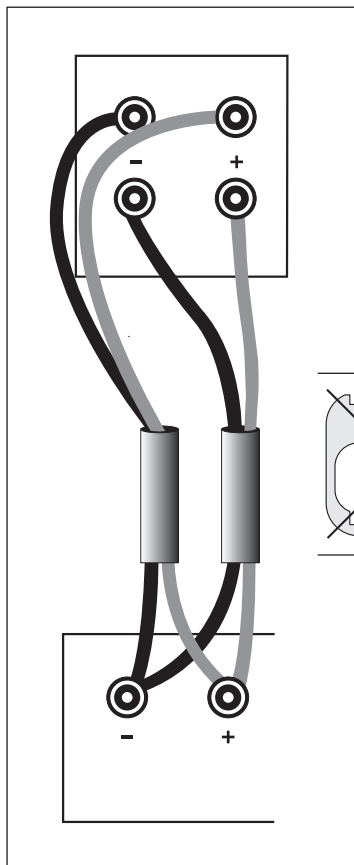


Fig. 4

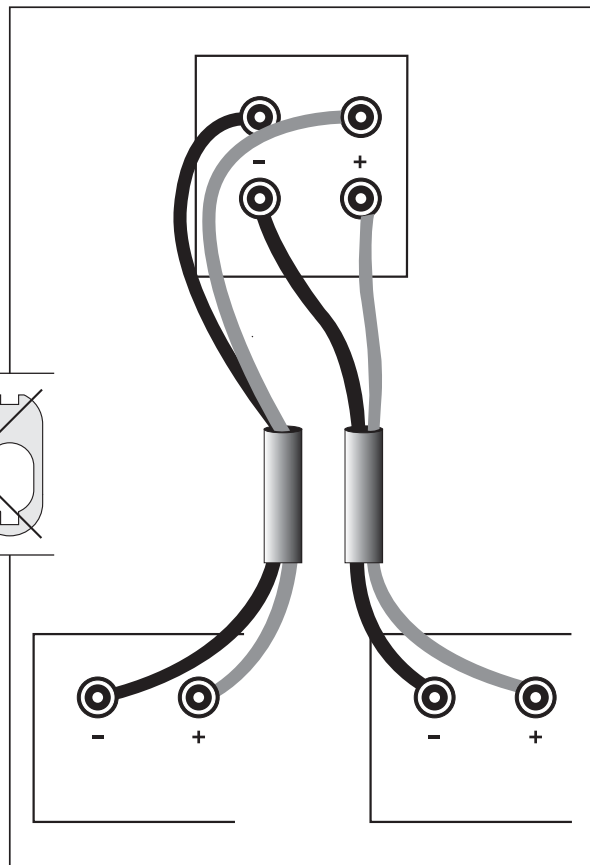


Fig. 5

YOUR NEW SPEAKERS

Break-In

Although Paradigm® Reference speakers sound great “out of the carton,” they will sound even better once they are “broken in.” Allow them to play for several hours before you begin any critical listening.

High-frequency and midrange drivers use ferro-fluid that can thicken at temperatures below 10° C (50° F). Surround material used in the bass/midrange driver units is made of a compound that may stiffen in colder temperatures. If your speakers have been transported or stored in the cold, let them warm to room temperature before use.

Cleaning

Your speakers have a premium finish that must be treated with care. Use only a damp soft cloth to clean. Do not get any part of the speaker system wet. Do not place wet objects (drinking glasses, potted plants, etc.) on top of the speakers—if allowed to soak in, even a small amount of water may permanently damage the speaker enclosure.

Speaker Grilles

All Paradigm® Reference speakers are meant to be played with their grilles on. The grilles are designed to eliminate edge diffraction—the sound reflections that occur at the outer edges of the front of the enclosure which interfere with the drivers’ primary sound output.

Wall-Mounting/Optional Speaker Stands

Paradigm® Reference Surround/Rear speakers can be wall mounted following the mounting instruction sheet included and using the hanger brackets supplied.

They may also be placed on Paradigm® speaker stands (sold sep.). For convenience, your Surround/Rear speakers can also be placed on shelves or high furniture (i.e. bookshelves), as long as there is at least 18 in (45 cm) of free space on either side of the speaker.

PREVENTING SPEAKER DAMAGE

Paradigm® Reference speakers are efficient and can be driven to loud listening levels with moderate amplifier power. They are also able to handle the output of very powerful amplifiers. To prevent damage to your speakers, please read the following guidelines before hooking them up.

Amplifier Distortion—The #1 Culprit!

Amplifier distortion is the principal cause of speaker damage. When listening at loud levels your amplifier may run out of clean power. It will then begin to produce distorted power several times greater than its rated output power. This will damage any brand of speaker very quickly! *(See your Authorized Paradigm® Reference Dealer for amplifier recommendations.)*

More Powerful Amplifiers are Safer

A 40 watt/channel amplifier will have substantial distortion above 40 watts. If driven to 50 watts, this amplifier will deliver distorted power—which will damage the speaker! A 100 watt/channel amplifier will have substantial distortion above 100 watts, but very low distortion below 100 watts. Therefore, when the speaker requires 50 watts, this more powerful amplifier will deliver clean power and speaker damage is less likely to occur.

Volume Control

Do not be fooled by the Volume Control of your receiver/preamplifier. It only adjusts listening level—it is not a “power-output” dial. The amount of amplifier power actually used at a given Volume Control setting depends solely on the nature of the music you are listening to. At a given Volume Control setting a quiet section of music will use less amplifier power than a loud section. With typical pop-rock, jazz or large scale classical music, the rated output power of many receivers/amplifiers is often reached when the Volume Control is between the “11 and 1 o’clock” settings (with bass/treble and loudness controls not used—otherwise rated power may be reached at even lower Volume Control settings).

Remember, all amplifiers produce distortion when operated beyond their rated output power. The resulting distortion will damage all speakers! Exercise caution! If you listen at loud levels, be careful to listen for the point of audible distortion—if the speakers begin to sound distressed turn the Volume Control down or your speakers and/or amplifier(s) will be damaged! **This type of damage constitutes abuse and is not covered by the warranty.** If louder volumes are desired obtain a more powerful amplifier.

There is a Limit!

Although more powerful amplifiers are safer, there is a point at which you could have more power than the speaker can handle. At that point you will overpower the speaker and damage it. Exercise caution! At loud levels do not increase bass/treble controls from zero and ensure that all loudness/contour/bass EQ buttons are off (otherwise rated output power will be reached at lower volume control settings). If you listen at loud levels, watch for excessive visible cone excursion (grille movement) from the woofer—then turn the Volume Control down.

The Right Amount of Power

A power-range rating is given as a guide to indicate the approximate minimum and maximum power input of your Paradigm® Reference speakers. Amplifiers that exceed your speaker’s power-range rating are recommended. Their greater power reserves provide better sound. However, exercise caution! Use the speakers within their power-range rating to prevent damage (keep listening levels below the point of excessive woofer cone excursion).

ABOUT SURROUND/REAR SPEAKERS

MUSIC AND HOME THEATER ... where do Surround and Rear speakers fit in?

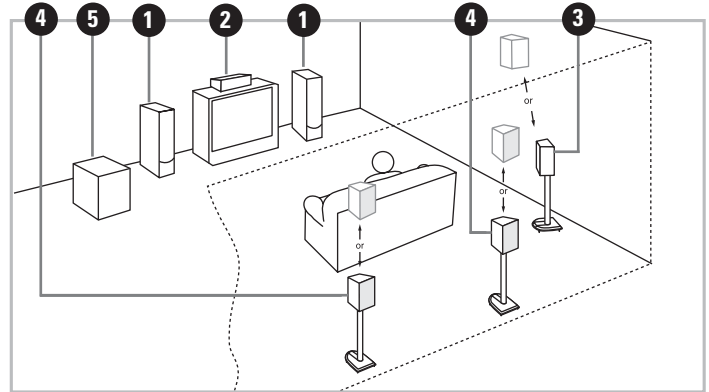
Front Speakers (1) reproduce dialog, sound effects and much of the music.

Center Speaker (2) reproduces dialog, sound effects and music. It can be placed on top of a TV (or behind a perforated screen in a front-projection system). If used with a direct-view TV, this speaker must be magnetically shielded to prevent picture interference.

Surround Speakers (3) reproduce ambience and sound effects critical to the full dimension of multichannel music and movies. Surround speakers with a uniform reverberant soundfield and accurate full-bandwidth bass, like Paradigm® Reference ADP™ speakers, work best.

Rear Speakers (4) contribute dimensional size and realism. Here also, Paradigm® Reference ADP™ speakers, with their uniform reverberant soundfield and accurate full-bandwidth bass, work best.

Subwoofer (5) handles deep bass, giving dynamic power to low-frequency effects in movies and the bass content in music.



Why Paradigm® Reference ADP™ speakers WORK BEST for music and movies

Movie theaters use multiple arrays of Surround/Rear speakers to keep viewers from being distracted by the sound of any single one (Fig. a).

Conventional forward-radiating speakers cannot reproduce movie theater surround sound in your home. If they are loud enough to blend with the front speakers they draw attention to themselves. Turn them down so they don't distract you and they won't blend with the fronts (Fig. b).

So how can you hear all of the glorious surround sound you're supposed to? With Paradigm® Reference ADP™ reverberant soundfield Surround/Rear speakers placed to the sides and/or rear of the listener (Figs. c, d & e).

Like movie theater surround speakers, Paradigm's ADP™ reverberant Surround/Rear speakers envelop you in sound without drawing your attention away from the movie you're watching. They add size and dimension to the soundstage, and ensure a seamless transition when sound and effects move from front and center to side and rear speakers.

Our ADP™ speakers are just as important for multichannel music. Their ability to create a large, non-localized soundfield contributes multidimensional realism to the reproduction of the original recording's acoustic space.

The diffuse sound of Paradigm® Reference reverberant Surround/Rear speakers turns your listening into a magical experience—they put the "theater" in home theater and make music sound "live"!

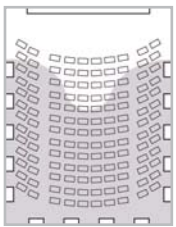


Fig. (a)
Movie Theater Surrounds

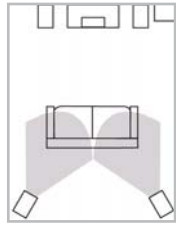


Fig. (b)
Forward-Radiating Surrounds

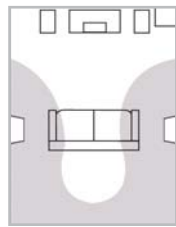


Fig. (c)
ADP™ Reverberant Surrounds
5.1 Configuration

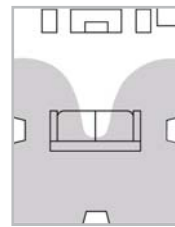


Fig. (d)
ADP™ Reverberant
Surrounds and Rear
6.1 Configuration

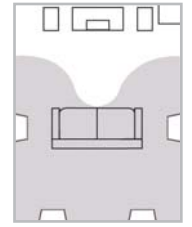


Fig. (e)
ADP™ Reverberant
Surrounds and Rears
7.1 Configuration

"It's just like being at the movies, except the sound is a lot better." – Nicholas Bedworth, The Perfect Vision on Paradigm® Reference speakers

ROOM ACOUSTICS

All Paradigm® Reference speakers are designed to provide superior high-end sound in a wide variety of domestic settings. However, it is important to note that listening room construction, dimensions and furnishings all play a part in the quality of sound you ultimately achieve. Your listening room will impose its own character on the performance capabilities of any speaker system. The extra care you take in correctly positioning the speakers will result in greater listening enjoyment. Keep the following guidelines in mind when deciding on the best speaker placement:

- Mid and high frequencies are affected by the amount of soft furnishings in your room—curtains, carpets, sofas, wall coverings, etc. An excess

of such items can result in a somewhat dull sound. The same room without any soft furnishings can produce a bright overall sound. The typical quantity of soft furnishings found in most living situations provides the right acoustic characteristics to allow the speakers to sound balanced.

- Concrete floors and walls tend to aggravate low-frequency standing wave problems and are less preferred.
- Rooms where height, width and length are similar should be avoided as they can exhibit significant low-frequency standing wave problems. This may result in reduced clarity. If no other room is possible, experiment with speaker placement to minimize acoustic problems.

SPEAKER PLACEMENT

Paradigm® Reference ADP™ Surround/Rear speakers are a full bandwidth design, precisely timbre matched to Paradigm® Reference front and center speakers to ensure a profoundly seamless multichannel soundstage. They are designed to be used with their drivers firing toward the front speakers and back wall, ensuring a large reverberant soundfield.

NOTE: Your ADP™ speakers may be marked “left” and “right” indicating placement for optimal performance. This refers to your left and right as you are seated in the main listening area looking toward the front speakers.

5.1 Configuration – Side Wall Placement (Fig. 1a)

Position ADP™ speakers on either side of the primary listening area, at about 6 – 9 ft (2 – 3 m) high.

5.1 Configuration – Corner Placement (Fig. 1b)

Alternatively, surround speakers can be placed in each of the adjacent back corners behind the primary listening area. They can also be moved out from the back corners (maintaining the same angle position) and placed as close as 3 ft (1 m) from the main listening area.

6.1 Configuration (Fig. 1c)

Begin with the 5.1 Surround Configuration – *Side Wall Placement*, outlined earlier, then place one ADP™ speaker in the center rear, behind the primary listening area.

7.1 Configuration (Fig. 1d)

Begin with the 5.1 Surround Configuration – *Side Wall Placement*, outlined earlier, then position another pair of ADP™ speakers behind the primary listening area, with one speaker positioned slightly right of the seating position, the other slightly left.

SPEAKER CONNECTION



Turn all amplifier(s) OFF before connecting your speakers. This will avoid damage which could result from accidental shorting of speaker cables.

For optimal sound reproduction the use of high-quality speaker cable is essential. The chart (below right) identifies the minimum gauge requirements for various lengths. (See Dealer for more information.)

All Paradigm® Reference speakers are equipped with binding posts that can be used with banana, pin, or spade connectors, as well as with bare wire. Connect one speaker at a time to ensure proper connection of every channel.

NOTE: Some Paradigm® Reference speakers have two sets of input terminals connected externally with jumper bars. These speakers can be bi-wired or bi-amplified to achieve even better performance. Follow the instructions under “Other Connection Options,” page 6.

Standard Connection (Fig. 2)

Connect the red (+) amplifier terminal to the red (+) speaker terminal and the black (-) to the black (-). Tighten the posts firmly by hand, but do not over-tighten. Make sure wires are firmly fastened. Repeat this connection procedure for each speaker in your system.

NOTE: If you hear a distinct lack of bass and a dislocated stereo image (from the front left/right speakers) then one or more of your speakers may have been connected out of phase (their polarity is reversed). Re-check to ensure that each speakers’ cable is connected with correct polarity: red (+) to red (+) and black (-) to black (-).

MINIMUM GAUGE REQUIREMENTS		
LENGTH	DIAMETER	GAUGE
Under 4.5 m (15 ft)	1.3 mm (0.05 in)	16 awg
Under 9 m (30 ft)	1.6 mm (0.06 in)	14 awg
Over 9 m (30 ft)	2.0 mm (0.08 in)	12 awg

Other Connection Options



DO NOT attempt to bi-wire or bi-amplify unless you have removed the jumper bars.

Standard Connection for Speakers with Two Input Terminals (Fig. 3)

Leave the jumper bars attached and connect using either set of input terminals following the instructions given under “Standard Connection” on page 5.

Bi-wiring and Bi-amping

Removing the jumper bars gives separate access to each frequency section of the speaker, which then allows for two optional connection configurations:

1) Bi-wire Connection (Fig. 4)

Bi-wiring can improve clarity and openness, with less grain and more solidity to the bass. Two cables are required for each speaker that you bi-wire.

2) Bi-amp Connection (Fig. 5)

To bi-amplify, two power amplifiers are required. Connection can be either vertical or horizontal. Connect your speakers to one amplifier at a time.

IMPORTANT! When bi-amping, always use amplifiers with identical gain. If uniform gain is not maintained, the speaker system’s frequency balance will be incorrect when horizontally bi-amped; and when vertically bi-amped the speaker-to-speaker balance will be incorrect. To prevent problems, use identical amplifiers (Brand and Model), in identical operating modes (single channel or bridged).

Passive bi-amping offers a dramatic improvement in clarity, openness and detail, with much better bass solidity and definition. The presentation of music and movie soundtracks is simply more intelligible and transparent.

With passive bi-amping, the speaker’s internal passive crossovers remain connected. An external electronic crossover is not required and cannot be used (there is no direct electrical access to individual drive units). This saves expense and setup difficulties. Passive bi-amping optimizes your speakers to achieve the best possible high-end performance.

Horizontal Bi-amplification (Fig. 5) dedicates one amplifier to your speakers’ mid/low-frequency inputs and another to their high-frequency inputs. This configuration can maintain better clarity when listening at loud levels—if low-frequency demands cause amplifier clipping, distortion will still be kept away from high-frequency drivers.

Vertical Bi-amplification (*not shown*) dedicates one amplifier to each speaker. This configuration provides complete channel separation which optimizes your system’s imaging ability.

FINE TUNING

Once you have your speakers positioned in the room, and have set speaker distances and speaker level calibration with your Processor or A/V Receiver, it’s time for a little fine tuning. Since Paradigm® Reference speakers are designed to provide exceptional high-end performance in a variety of room settings, fine tuning is simply a matter of making slight adjustments to speaker placement in the room. To fine tune your front speakers, center channel, and subwoofer refer to the Owners Manual included with those speakers.

Fine tuning Surround and Rear speakers is a matter of making adjustments that may be required for a particular multichannel music or movie program. If necessary, adjust your Processor or Audio/Video Receiver levels to ensure that there is a cohesive overall soundstage.

TROUBLESHOOTING GUIDE

PROBLEM	SOLUTION
No Sound	Make sure receiver, preamp or amplifier is plugged in and turned on. Check power outlet at the wall is working. Are headphones plugged in, or is system on Mute? Re-check all connections.
No Sound from One or More Speakers	Check your balance control or VC-150 Volume Control (if using). Check that all power cords are properly plugged in and functioning. Swap a non-working speaker with one that works to determine if the problem is with the speaker or something else (i.e. wiring, amplifier).
Lack of Bass or Dislocated Image	One or more speakers may be connected out of phase (their polarity is reversed). Re-check to ensure that each speaker’s cable is connected with correct polarity: red (+) to red (+) and black (-) to black (-).

LIMITED WARRANTY

Paradigm® Reference speakers covered in this manual are warranted to be and remain free of manufacturing and/or material defects for a period of **five (5)** years from the date of original purchase. Within the time period specified, repair, replacement or adjustment of parts for manufacturing and/or material defects will be free of charge to the original owner.

Thermal or mechanical abuse/misuse is not covered under warranty.

Limitations:

- Warranty begins on date of original retail purchase from an Authorized Paradigm® Dealer only. It is not transferable
- Warranty applies to product in normal home use only. If product is subjected to any of the conditions outlined in the next section, warranty is void
- Warranty does not apply if the product is used in professional or commercial applications

Warranty is Void if:

- The product has been abused (intentionally or accidentally)
- The product has been used in conjunction with unsuitable or faulty equipment
- The product has been subjected to damaging signals, derangement in transport, mechanical damage or any abnormal conditions
- The product (including cabinet) has been tampered with or damaged by an unauthorized service facility
- The serial number has been removed or defaced

Owner Responsibilities:

- Provide normal/reasonable operating care and maintenance
- Provide or pay for transportation charges for product to service facility
- Provide proof of purchase (your sales receipt given at time of purchase from your Authorized Paradigm® Dealer must be retained for proof-of-purchase date)

Should servicing be required, contact your nearest Authorized Paradigm® Dealer, Paradigm Electronics Inc. or Import Distributor (outside the U.S. and Canada) to arrange, bring in or ship prepaid, any defective unit. Visit our website, www.paradigm.com for more information.

Paradigm Electronics Inc. reserves the right to improve the design of any product without assuming any obligation to modify any product previously manufactured.

This warranty is in lieu of all other warranties expressed or implied, of merchantability, fitness for any particular purpose and may not be extended or enlarged by anyone. In no event shall Paradigm Electronics Inc., their agents or representatives be responsible for any incidental or consequential damages. Some jurisdictions do not allow limitation of incidental or consequential damages, so this exclusion may not apply to you.

Retain this manual and your sales receipt for proof of warranty term and proof of purchase.

NOTES



Enceintes ADP^{MC} ambiophoniques / arrière

Félicitations! Nous vous remercions d'avoir choisi les enceintes ADP^{MC} ambiophoniques/arrière de Paradigm^{MD} Reference! Vous allez entendre la différence que confèrent ces enceintes de pointe haut de gamme à votre système audio ou de cinéma maison.

Les enceintes Paradigm^{MD} Reference sont le produit d'innombrables heures de recherche et de développement approfondis et vous fourniront un son haut de gamme de qualité supérieure pendant de nombreuses années.

Pour profiter pleinement de l'excellence sonore de ces enceintes, il importe d'apporter un soin particulier à leur installation et leur utilisation. Veuillez lire le présent manuel et suivre toutes les instructions. Pour toute autre question, contactez un revendeur Paradigm^{MD} Reference autorisé ou consultez la page Questions-Réponses à la section du soutien technique de notre site Internet au www.paradigm.com



PARADIGM^{MD} REFERENCE



M O D E D ' E M P L O I

OM-560

TABLE DES MATIÈRE

Positionnement et raccordement des enceintes (figures)	1	À propos des enceintes ambiophoniques/arrière	10	Raccordement des enceintes	12
Vos nouvelles enceintes	9	Votre salle d'écoute	11	Réglage fin	13
Pour éviter d'endommager les enceintes	9	Positionnement des enceintes	11	Guide de diagnostic	13
				Garantie limitée	13

VOS NOUVELLES ENCEINTES

Rodage

Bien que les enceintes de Paradigm^{MD} Reference offrent un son excellent « en sortant de la boîte », leur son sera encore meilleur après une période de rodage. Les laisser fonctionner pendant quelques heures avant une première écoute critique.

Les haut-parleurs de hautes et moyennes fréquences contiennent un ferrofluide dont la viscosité augmente à des températures inférieures à 10 °C (50 F). Les haut-parleurs de basses et moyennes fréquences sont entourés d'un matériau fait d'un composé qui peut devenir rigide à basse température. Si les enceintes ont été transportées ou entreposées au froid, les laisser réchauffer à la température de la pièce avant de les utiliser.

Nettoyage

Les enceintes sont dotées d'un fini haut de gamme nécessitant un soin particulier. Ne les nettoyer qu'avec un linge doux humide. Aucune partie du système ne doit entrer en contact avec de l'eau. Ne pas placer aucun objet humide (verre, plante en pot, etc.) sur une enceinte – l'infiltration d'une quantité même minime d'eau peut causer des dommages permanents à son boîtier.

Grilles des enceintes

Toutes les enceintes de Paradigm^{MD} Reference sont conçues pour fonctionner avec leurs grilles en place. Ces grilles éliminent la diffraction par effet de bord – les réflexions sonores qui se produisent aux bordures extérieures du devant du boîtier et qui interfèrent avec les signaux sonores primaires des haut-parleurs.

Installation murale/supports d'enceinte optionnels

Les enceintes ambiophoniques/arrière Paradigm[®] Reference peuvent être installées au mur à l'aide des supports de fixation fournis, en suivant les instructions d'installation de la fiche incluse.

Elles peuvent également être placées sur des supports d'enceintes Paradigm[®] (vendus séparément) ou sur des tablettes ou des meubles surélevés (p. ex. bibliothèque), pourvu qu'un espace dégagé d'au moins 45 cm (18 po) soit présent de part et d'autre de l'enceinte.

POUR ÉVITER D'ENDOMMAGER LES ENCEINTES

Les enceintes Paradigm^{MC} Reference sont efficaces et peuvent produire des volumes élevés à des puissances de sortie modérées de l'amplificateur. Elles peuvent également être jumelées à des amplificateurs haute puissance. Pour éviter d'endommager les enceintes, lire les directives suivantes avant de procéder à leur raccordement.

Distorsion de l'amplificateur – Le principal fautif!

La distorsion de la puissance provenant de l'amplificateur est la principale cause de dommages aux enceintes. À volumes élevés, il peut arriver que la puissance de l'amplificateur soit tout simplement insuffisante. L'amplificateur produira alors un signal distordu dont la puissance est de plusieurs fois supérieure à la puissance nominale. Cette puissance excessive endommagera très rapidement toute enceinte, peu importe la marque! (*Consulter le revendeur pour des recommandations en matière d'amplificateurs.*)

Les amplificateurs plus puissants sont plus sûrs

Un amplificateur de 40 W/canal produira une importante distorsion à des puissances supérieures à 40 W. Si la puissance sollicitée est de 50 W, il produira un signal distordu qui endommagera l'enceinte! Un amplificateur de 100 W/canal présentera une importante distorsion à plus de 100 W, mais très peu de distorsion à des puissances moindres. Ainsi, si l'enceinte sollicite 50 W, cet amplificateur produira un signal non distordu, réduisant ainsi les risques de dommages à l'enceinte.

Commande de volume

La commande de volume de l'amplificateur peut être trompeuse puisqu'elle permet seulement d'ajuster le volume d'écoute, mais n'indique pas la puissance de sortie. La puissance fournie par l'amplificateur à un réglage donné de la commande de volume dépend uniquement de la musique écoutée.

À un réglage donné de la commande de volume, un passage de musique doux sollicitera moins de puissance de l'amplificateur qu'un passage plus percutant. Pour l'écoute de pop/rock, de jazz ou de musique classique symphonique, le réglage de la commande de volume de la plupart des amplificateurs à une position entre 11 h et 13 h sur le cadran fournit environ la puissance nominale de l'amplificateur, à moins que les fonctions de compensation (bass/treble ou loudness) ne soient utilisées, dans lequel cas la puissance nominale pourrait être atteinte à un réglage plus faible de la commande de volume.

Il importe de se rappeler que tout amplificateur produira une distorsion si la puissance sollicitée excède sa puissance de sortie nominale. Cette distorsion endommagera les enceintes! Il faut donc faire attention! Pendant l'écoute à volume élevé, il faut surveiller toute distorsion possible – si le son provenant de l'enceinte semble distordu, réduire le volume pour ne pas endommager les enceintes et/ou l'amplificateur! **La garantie ne couvre pas ce type de détérioration!** Pour l'écoute à des volumes plus élevés, utiliser un amplificateur plus puissant.

Il y a une limite!

Bien qu'un amplificateur plus puissant soit plus sûr, il existe une limite à la puissance que peut supporter l'enceinte. Au-delà de cette limite, l'enceinte subira des dommages. Il faut donc faire attention! À volume élevé, les commandes des basses/aigues (bass/treble) devraient être en position « zéro » et tous les boutons de compensation ou d'égalisation (loudness/contour/bass EQ), désactivés, à défaut de quoi la puissance nominale sera atteinte à un réglage moindre du volume. Lors de l'écoute à volume élevé, vérifier s'il y a excursion excessive des cônes (mouvement de la grille) des haut-parleurs des graves. Le cas échéant, réduire le volume.

La bonne puissance

La plage de puissance nominale donne une idée des puissances d'entrée minimum et maximum des enceintes Paradigm^{MD} Reference. Il est recommandé d'utiliser un amplificateur dont la puissance nominale excède la plage de puissance des enceintes. Cette puissance « de réserve » de l'amplificateur se traduira par une meilleure qualité sonore. Toutefois, il faut faire attention! Les enceintes doivent être utilisées dans leur plage de puissance pour ne pas les endommager – le volume d'écoute doit toujours être inférieur à la limite d'excursion excessive des cônes des haut-parleurs des graves.

À PROPOS DES ENCEINTES AMBIOPHONIQUES/ARRIÈRE

SYSTÈMES AUDIO ET DE CINÉMA MAISON ... le rôle des enceintes ambiophoniques et arrière

Enceinte avant (1) Elle reproduit les dialogues, les effets sonores et une bonne partie du signal musical.

Enceinte centrale (2) Elle reproduit les dialogues, les effets sonores et la musique. Elle peut être placée sur une télé (ou derrière l'écran perforé d'un système à téléprojecteur avant). Si elle est utilisée avec une télé ordinaire, cette enceinte doit être magnétiquement blindée pour l'empêcher d'interférer avec les images.

Enceintes ambiophoniques (3) Elles reproduisent l'ambiance et les effets sonores essentiels à la pleine ampleur de la musique et des trames à canaux multiples. Les enceintes ambiophoniques, telles que les enceintes Reference ADP^{MC} de Paradigm^{MD}, qui présentent un champ de réverbération uniforme et reproduisent avec exactitude la pleine bande des graves, offrent la meilleure performance possible.

Enceintes arrière (4) Elles contribuent à l'ampleur et au réalisme de l'image sonore. Grâce à leur champ de réverbération uniforme et la reproduction exacte de la pleine bande des graves, les enceintes ADP^{MC} de Paradigm^{MD} Reference offrent la meilleure performance possible.

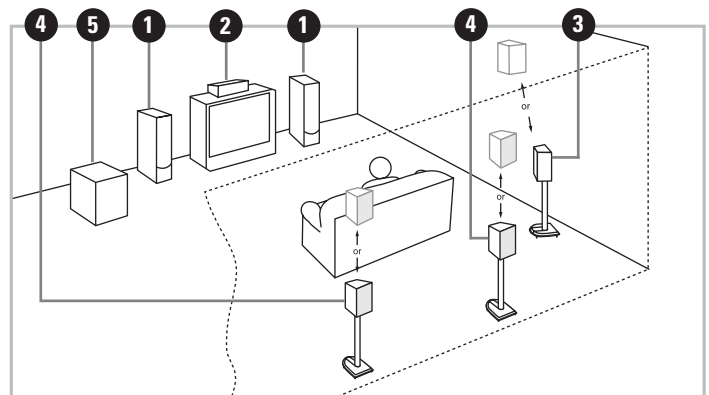
Pourquoi les enceintes ADP^{MC} de Paradigm^{MD} Reference offrent-elles la MEILLEURE PERFORMANCE pour la musique et les films?

Afin de ne pas attirer l'attention des spectateurs vers un endroit précis, les salles de cinéma sont dotées de plusieurs ensembles d'enceintes ambiophoniques/arrière (Fig. a, à la page 11).

Les enceintes classiques à rayonnement avant ne peuvent reproduire à la maison le son ambiophonique d'une salle de cinéma. Si leur volume est assez élevé pour se fondre avec le signal des enceintes avant, elles attirent trop l'attention. Si on réduit leur volume pour prévenir cet effet, leur signal ne se fond pas avec celui des enceintes avant (Fig. b, page 11).

Comment donc entendre toute la plage possible des signaux ambiophoniques? En plaçant des enceintes ambiophoniques/arrière Paradigm^{MD} Reference ADP^{MC} à champ de réverbération sur les côtés et/ou à l'arrière de l'auditeur (figures c, d et e, page 11).

Caisson de sous-graves (5) Il reproduit les fréquences très graves, conférant une puissance dynamique aux effets de basses fréquences des films et de la musique.



À l'instar des enceintes ambiophoniques des salles de cinéma, les enceintes ambiophoniques/arrière ADP^{MC} de Paradigm^{MD} Reference à champ de réverbération enveloppent l'auditeur sans détourner son attention du film qu'il regarde. Elles produisent un champ sonore plus vaste et assurent une transition ininterrompue du son et des effets qui se déplacent des enceintes avant et centrale vers les enceintes latérales et arrière.

Les enceintes ADP^{MC} sont tout aussi performantes en ce qui concerne la musique à canaux multiples. Leur capacité de créer un vaste champ sonore non localisé assure une reproduction multidimensionnelle réaliste de l'espace acoustique de l'enregistrement original.

Le son diffus des enceintes ambiophoniques/arrière à réverbération de Paradigm^{MD} Reference font de l'écoute une expérience magique – c'est comme être au cinéma ou dans une salle de concert sans quitter la maison!

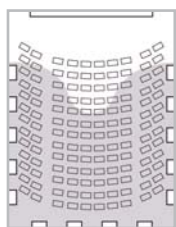


Fig. (a)
Ambiophonie d'une
salle de cinéma

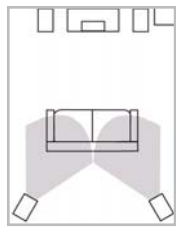


Fig. (b)
Enceintes ambiophoniques
à rayonnement avant

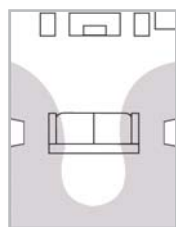


Fig. (c)
Enceintes ambiophoniques
à réverbération ADP^{MC}
Configuration 5.1

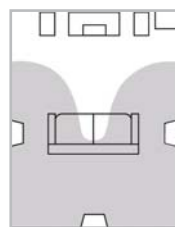


Fig. (d)
Enceintes ambiophoniques
et arrière à réverbération ADP^{MC}
Configuration 6.1

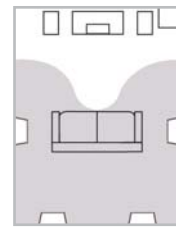


Fig. (e)
Enceintes ambiophoniques
et arrière à réverbération ADP^{MC}
Configuration 7.1

« C'est comme être au cinéma, sauf que le son est de bien meilleure qualité »
– Nicholas Bedworth, The Perfect Vision, au sujet des enceintes Paradigm^{MD} Reference

VOTRE SALLE D'ÉCOUTE

Les enceintes Paradigm^{MD} Reference sont conçues pour offrir un son haut de gamme dans divers milieux d'écoute intérieurs. Il importe toutefois de noter que la construction et les dimensions de la pièce, ainsi que son contenu ont tous une incidence sur la qualité sonore qu'il sera possible d'obtenir. En général, il est recommandé d'observer les directives suivantes en ce qui concerne le positionnement des enceintes :

- La quantité d'objets « mous » (rideaux, moquettes, sofas, revêtements muraux, etc.) que renferme la pièce aura une incidence sur les moyennes et hautes fréquences. S'ils sont trop nombreux, ces objets peuvent éteindre le son produit par les enceintes. La même pièce sans aucun objet mou offrira un son généralement clair. Une quantité normale de ces objets dans la pièce offrira les caractéristiques acoustiques permettant d'obtenir des enceintes un son équilibré.

- Les planchers et murs en béton ont tendance à amplifier les problèmes liés aux ondes stationnaires des basses fréquences et ne sont donc pas idéals.
- Les pièces de hauteur, largeur et longueur semblables ne sont pas recommandées puisqu'elles peuvent se traduire par d'importants problèmes d'ondes stationnaires des basses fréquences qui réduisent la précision du son. Si aucune autre pièce n'est disponible, essayer différentes configurations du positionnement des enceintes afin de minimiser ces problèmes.

POSITIONNEMENT DES ENCEINTES

Les enceintes ambiophoniques/arrière ADP^{MC} sont des enceintes pleine bande dont le timbre est précisément accordé avec celui des enceintes Paradigm^{MD} Reference des canaux avant et central, ce qui garantit une reproduction profonde et sans disjonction du signal de tous les canaux. Les haut-parleurs doivent être orientés vers les enceintes avant et le mur arrière pour assurer un vaste champ de réverbération.

REMARQUE : Les enceintes ADP^{MC} peuvent porter les marques « left » (gauche) et « right » (droite) indiquant leur positionnement pour une performance optimale. Il s'agit des côtés gauche et droit pour une personne assise dans la principale aire d'écoute qui regarde vers les enceintes avant.

Configuration 5.1 – Près des murs latéraux (Fig. 1a)

Placer les enceintes ADP^{MC} de part et d'autre de la principale aire d'écoute, à une hauteur d'environ 2 m à 3 m (6 pi à 9 pi).

Configuration 5.1 – Dans les angles (Fig. 1b)

On peut placer les enceintes ambiophoniques dans chacun des angles de la pièce situés derrière la principale aire d'écoute. On peut également les éloigner des angles arrière, jusqu'à environ 1 m (3 pi) de la principale aire d'écoute.

Configuration 6.1 (Fig. 1c)

Commencer par la configuration ambiophonique 5.1 près des murs latéraux (ci-dessus), puis centrer une enceinte ADP^{MC} derrière la principale aire d'écoute.

Configuration 7.1 (Fig. 1d)

Commencer par la configuration ambiophonique 5.1 près des murs latéraux (ci-dessus), puis placer une autre paire d'enceintes ADP^{MC} derrière la principale aire d'écoute, une enceinte légèrement à droite de l'endroit où l'on s'assoit et l'autre, légèrement à gauche.

RACCORDEMENT DES ENCEINTES



ÉTEINDRE le ou les amplificateurs avant de raccorder les enceintes. Ceci évitera les dommages pouvant résulter d'un court-circuit accidentel des câbles des enceintes.

Pour une reproduction sonore optimale, il importe d'utiliser des câbles de haute qualité. Le tableau ci-dessous indique le calibre minimum pour différentes longueurs de câble. (Consulter le revendeur pour de plus amples renseignements.)

Toutes les enceintes Paradigm^{MD} Reference sont dotées de bornes de raccordement qui peuvent être utilisées avec des prises bananes ou à broches ou des cosses rectangulaires, ainsi qu'avec des fils nus. Raccorder une enceinte à la fois à l'amplificateur afin d'assurer le bon raccordement de chaque canal.

REMARQUE : Certaines enceintes Paradigm^{MD} Reference comportent deux groupes de bornes d'entrée court-circuitées. Ces enceintes peuvent être raccordées par bi-câblage ou bi-amplification pour une performance encore meilleure. Pour ce faire, suivre les instructions de la section « Autres options de raccordement » en haut.

Raccordement normal (Fig. 2)

Raccorder la borne rouge (+) de l'amplificateur à la borne rouge (+) de l'enceinte et la borne noire (-) à la borne noire (-). Serrer les bornes fermement à la main, mais pas excessivement. S'assurer que chaque raccordement est bien fixé. Répéter la même procédure pour chacune des enceintes du système.

REMARQUE : Si une déficience des graves ou une image stéréophonique disloquée (provenant des enceintes avant gauche/droite) est perçue, il se peut qu'une des enceintes soit déphasée (polarité inversée). Vérifier de nouveau la polarité de chaque raccordement : rouge (+) à rouge (+) et noir (-) à noir (-).

CALIBRES MINIMUMS		
LONGUEUR	DIAMÈTRE	CALIBRE
Moins de 4,5 m (15 pi)	1,3 mm (0,05 po)	16 awg
Moins de 9 m (30 pi)	1,6 mm (0,06 po)	14 awg
Plus de 9 m (30 pi)	2,0 mm (0,08 po)	12 awg

Autres options de raccordement



NE PAS raccorder les enceintes par bi-câblage ou bi-amplification avant d'avoir retiré les barrettes de court-circuit.

Raccordement normal d'enceintes dotées de deux bornes (Fig. 3)

Ne pas retirer les barrettes de court-circuit, et raccorder l'un ou l'autre des paires de bornes selon les instructions de la section « Raccordement normal » en haut.

Bi-câblage et Bi-amplification

Le retrait des barrettes de court-circuit donne accès à chacune des plages de fréquences de l'enceinte, ce qui permet les deux autres options de raccordement suivantes :

1) Bi-câblage (Fig. 4)

Le bi-câblage peut améliorer la clarté, l'amplitude et la robustesse des graves tout en réduisant la granulation. Deux câbles sont nécessaires pour chaque enceinte ainsi raccordée.

2) Bi-amplification (Fig. 5)

La bi-amplification requiert deux amplificateurs. Le raccordement peut être vertical ou horizontal. Raccorder les enceintes à un amplificateur à la fois.

IMPORTANT! Pour la bi-amplification, toujours utiliser des amplificateurs présentant un gain identique. Si un gain uniforme n'est pas maintenu, la balance des fréquences du système d'enceintes sera incorrecte en mode horizontal, alors que la balance enceinte-à-enceinte sera incorrecte en mode vertical. Pour éviter ces problèmes, utiliser des amplificateurs identiques (de marque et de modèle identiques), fonctionnant dans le même mode (canal unique ou relais en pont).

La bi-amplification passive améliore considérablement la clarté, l'amplitude et les détails du signal, ainsi que la robustesse et la précision des graves. La reproduction musicale ou de trames sonores est tout simplement plus claire et transparente.

Dans ce type de raccordement, les filtres passifs internes de l'enceinte demeurent raccordés. Un filtre passif externe n'est pas nécessaire et ne peut être utilisé (il n'y a pas d'accès électrique direct aux différents haut-parleurs). Cela réduit les coûts et les difficultés d'installation. La bi-amplification passive permet la meilleure performance possible des enceintes.

La bi-amplification horizontale (Fig. 5) affecte un amplificateur à la reproduction des signaux de moyennes et basses fréquences et un autre, à celles des signaux de hautes fréquences. Cette configuration assure une plus grande clarté à volume élevé – si les basses fréquences nécessitent un écrêtage, les haut-parleurs de hautes fréquences ne subiront pas de distorsion.

La bi-amplification verticale (non illustrée) affecte un amplificateur à chaque enceinte. Cette configuration permet la séparation complète des canaux, ce qui optimise la capacité de reproduction de l'image sonore du système.

RÉGLAGE FIN

Une fois que les enceintes sont positionnées dans la pièce et que les distances et la calibration des niveaux des haut-parleurs ont été réglées à l'aide du processeur ou du syntoniseur audiovisuel, un réglage fin peut s'imposer. Puisque les enceintes Paradigm^{MD} Reference sont conçues pour fournir une performance haut de gamme dans différentes pièces, ce réglage consiste simplement en de petites modifications au positionnement des enceintes. Pour les enceintes avant, le canal central et le caisson de sous-graves, se reporter au mode d'emploi de chacune de ces enceintes.

En ce qui concerne les enceintes ambiophoniques et arrière, des modifications pourraient être nécessaires selon le programme multicanaux donné de musique ou de film. Au besoin, régler les niveaux du processeur ou du syntoniseur audiovisuel pour obtenir une image sonore globale cohérente.

GUIDE DE DIAGNOSTIC

PROBLÈME	SOLUTION
Aucun son	S'assurer que le préamplificateur ou l'amplificateur est branché et allumé. Vérifier que la prise de courant fonctionne correctement. Les écouteurs sont-ils branchés ou le système est-il en mode sourdine (mute)? Vérifier tous les raccords.
Aucun son d'une ou plusieurs enceintes	Vérifier la commande de réglage d'équilibre (balance) ou la commande de volume VC-150 (si elle est utilisée). Vérifier le branchement et le fonctionnement de tous les cordons d'alimentation. Remplacer l'enceinte qui ne fonctionne pas par une enceinte qui fonctionne pour vérifier si le problème est au niveau de l'enceinte ou ailleurs (c.-à-d. le filage, l'amplificateur).
Déficience des graves ou image disloquée	Il se peut qu'une des enceintes soit déphasée (polarité inversée). Vérifier de nouveau la polarité de chaque raccordement : rouge (+) à rouge (+) et noir (-) à noir (-)

GARANTIE LIMITÉE

Les enceintes acoustiques Paradigm^{MD} Reference présentés dans ce manuel sont garanties contre les défauts de matériaux et de fabrication pendant une période de **cinq (5) ans** à compter de la date d'achat du matériel neuf. Durant cette période, la réparation, le remplacement ou le réglage de pièces pour des défauts de matériaux ou de fabrication ne seront pas à la charge du premier acheteur.

Les dommages causés par l'exposition abusive à la chaleur ou l'usage abusif ne sont pas couverts par la présente garantie.

Clauses spécifiques :

- La garantie entre en vigueur à la date d'achat par le premier acheteur chez un revendeur autorisé Paradigm^{MD}. La garantie n'est pas transférable.
- La garantie s'applique aux enceintes pour une utilisation domestique normale. Si les enceintes sont soumises à l'une des conditions définies dans le paragraphe suivant, la garantie est nulle.
- La garantie ne s'applique pas à un usage commercial ou professionnel.
- La garantie exclue la détérioration normale de l'apparence causée par les conditions environnementales.

La garantie est révoquée si :

- L'enceinte est soumise à un usage abusif (accidentel ou intentionnel);
- L'enceinte est utilisée avec un équipement défectueux ou non adéquat;
- L'enceinte est soumise à des signaux électriques dommageables, un transport dangereux, des dommages matériels ou toute autre condition anormale;
- L'enceinte (y compris le boîtier) sont altérés ou endommagés lors d'une réparation non autorisée;
- La plaque du numéro de série du produit est enlevée ou défigurée.

Responsabilités du propriétaire :

- Apporter un soin et un entretien normaux et raisonnables.
- Assumer les frais de transport jusqu'à l'atelier de réparation.
- Fournir une preuve d'achat (conserver le reçu fourni lors de l'achat par le revendeur autorisé Paradigm^{MD} comme preuve de la date d'acquisition).

Si une réparation est nécessaire, contacter le revendeur autorisé Paradigm^{MD}, Paradigm Electronics Inc. ou le distributeur à l'étranger (à l'extérieur du Canada et des États-Unis) pour planifier l'envoi prépayé de l'enceinte défectueuse. Consulter le site Web www.paradigm.com pour plus d'information.

Paradigm Electronics Inc. se réserve le droit d'améliorer ou de modifier ses produits en tout temps sans responsabilité ou engagement envers les produits existants.

La présente garantie de qualité marchande tient en lieu et place de toute autre garantie explicite ou implicite et ne peut être modifiée, élargie ou étendue à d'autres obligations par quiconque. Paradigm Electronics Inc. et ses représentants ou agents ne peuvent pas être tenus responsables de dommages découlant de l'utilisation de ces produits. Là où une réglementation spécifique interdit une telle limitation de la responsabilité, cette exclusion ne s'applique pas.

Conserver le présent manuel et le reçu comme preuves d'achat jusqu'au terme de la garantie.



w w w . p a r a d i g m . c o m

Free Manuals Download Website

<http://myh66.com>

<http://usermanuals.us>

<http://www.somanuals.com>

<http://www.4manuals.cc>

<http://www.manual-lib.com>

<http://www.404manual.com>

<http://www.luxmanual.com>

<http://aubethermostatmanual.com>

Golf course search by state

<http://golfingnear.com>

Email search by domain

<http://emailbydomain.com>

Auto manuals search

<http://auto.somanuals.com>

TV manuals search

<http://tv.somanuals.com>