



ACCULINK 3151 CSU

QUICK REFERENCE

Document No. 3151-A2-GL11-40

PARADYNE™

Copyright © 1998 Paradyne Corporation.
All rights reserved.
Printed in U.S.A.

Notice

This publication is protected by federal copyright law. No part of this publication may be copied or distributed, transmitted, transcribed, stored in a retrieval system, or translated into any human or computer language in any form or by any means, electronic, mechanical, magnetic, manual or otherwise, or disclosed to third parties without the express written permission of Paradyne Corporation, 8545 126th Avenue North, P.O. Box 2826, Largo, Florida 33779-2826.

Paradyne Corporation makes no representation or warranties with respect to the contents hereof and specifically disclaims any implied warranties of merchantability or fitness for a particular purpose. Further, Paradyne Corporation reserves the right to revise this publication and to make changes from time to time in the contents hereof without obligation of Paradyne Corporation to notify any person of such revision or changes.

Changes and enhancements to the product and to the information herein will be documented and issued as a new release to this manual.

Warranty, Sales, and Service Information

Contact your sales or service representative directly for any help needed. For additional information concerning warranty, sales, service, repair, installation, documentation, or training, use one of the following methods:

- **Via the Internet:** Visit the Paradyne World Wide Web site at <http://www.paradyne.com>
- **Via Telephone:** Call our automated call system to receive current information via fax or to speak with a company representative.
 - Within the U.S.A., call 1-800-870-2221
 - International, call 727-530-2340

Trademarks

All products and services mentioned herein are the trademarks, service marks, registered trademarks or registered service marks of their respective owners.

ACCULINK 3151 CSU

Quick Reference

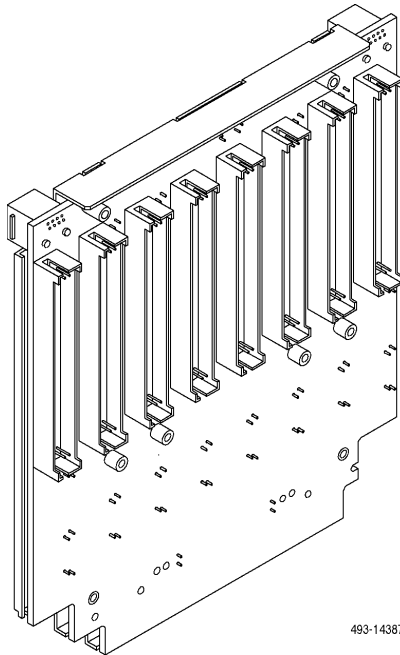
Document Number 3151-A2-GL11-40

February 1998

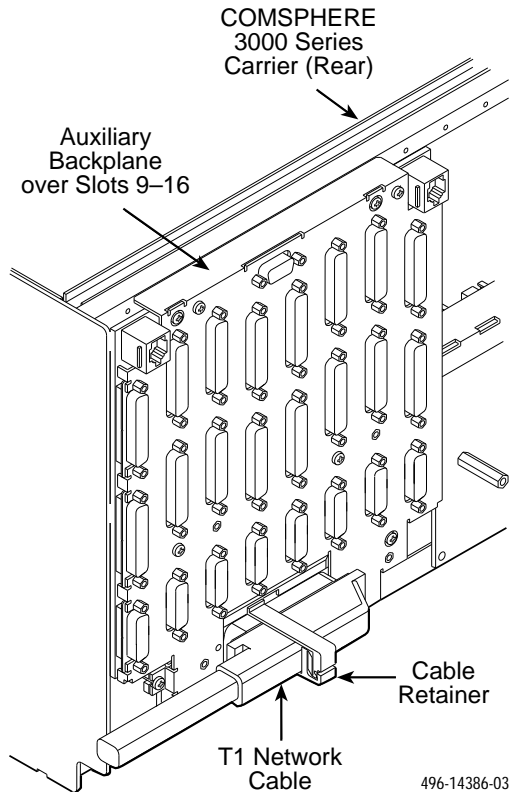
Quick Start Procedure

The following procedure is for experienced CSU users who are familiar with the 3151 CSU installation process and have no special requirements for their application. See the *ACCULINK 315x Channel Service Unit Operator's Guide* (3150-A2-GB21) for more information. A copy is included with the Auxiliary Backplane.

1. Install the Auxiliary Backplane onto the 3000 Series Carrier. See the *ACCULINK 3151 CSU and 3161 DSU/CSU General Information Guide* (3100-A2-GK40) for installation procedures.

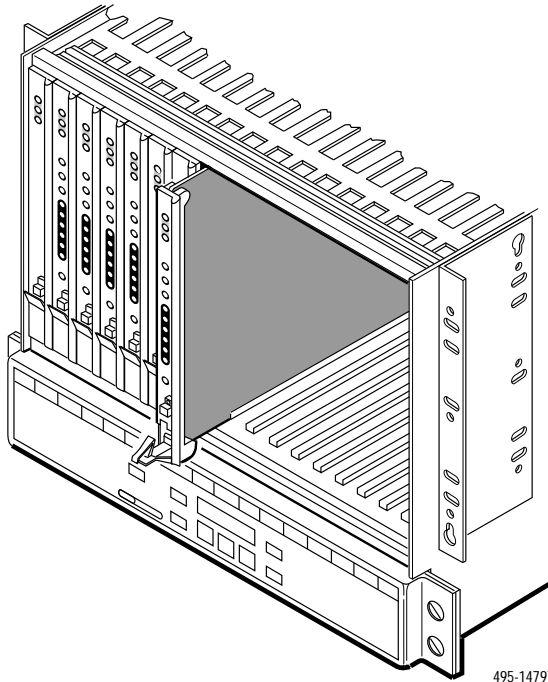


2. Attach the DTE cable (DB15) to the appropriate DTE connector on the Auxiliary Backplane. (See the *COMSPHERE 3000 Series Carrier Installation Manual* (3000-A2-GA31) for detailed cable and connector information.) Connect the other end of the DTE cable to the customer premises equipment.
3. Attach the network cable to the Auxiliary Backplane using either a 50-pin cable or the T1 Network Interface Adapter. Connect the other end of the network cable to the connection provided by the telephone company.



4. Turn on the power to the 3000 Series Carrier.

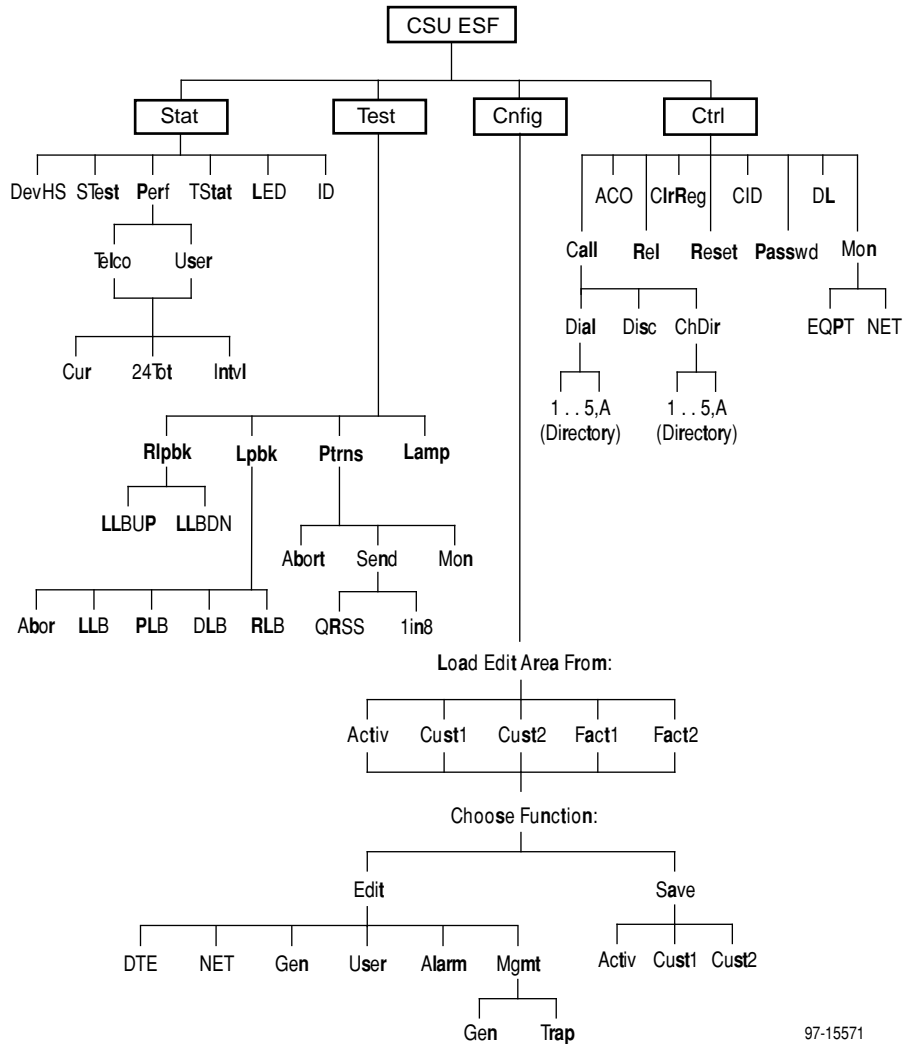
5. Insert the CSU circuit card into the appropriate slot in the carrier. The power-up self-test begins.



6. If you intend to use front panel emulation, connect the cable from the PC to Port 2 on the Auxiliary Backplane using the COM port adapter and COM-port-to-PC cable.
7. The Factory 1 configuration for ESF framing format and B8ZS line coding format is the default configuration and is appropriate for most networks. If this configuration does not work for you, try the Factory 2 configuration for D4 framing format and AMI line coding format. To further customize configuration options, refer to *Changing Configuration Options* in Chapter 3, *Operation*, and Appendix C, *Configuration Options*, in the *ACCULINK 315x Channel Service Unit Operator's Guide*.
8. During the power-up self-test, the **FAIL** LED flashes, then all LEDs blink twice. When the test is complete, verify that the CSU is functional by observing that the **OK**, **NETWORK SIG**, and **DTE SIG** LEDs are lit.

Configuration Options

Configuration options are accessed from the Cnfig branch of the front panel menu.



97-15571

Table 1. DTE Interface Configuration Options

Option	Factory 1	Factory 2	Comments/Description
DTE Framing:	D4	D4	Selects D4 or ESF framing format.
	ESF	ESF	
DTE Coding:	AMI	AMI	Selects AMI or B8ZS line coding format.
	B8ZS	B8ZS	
Equal: (DTE Line Equalizer)	0-133	0-133	Selectable extended DTE range capability.
	133-266	133-266	
	266-399	266-399	
	399-533	399-533	
	533-655	533-655	
Extrn DLB: (External DTE Loopback)	Enab	Enab	Allows control of DLB on external contact closure.
	Disab	Disab	
Send AIS:	Enab	Enab	Sends AIS to the DTE on failure of the Network interface signal.
	Disab	Disab	
Yellow:	Enab	Enab	Transcodes and sends Yellow signal to the DTE on receiving Yellow from the Network.
	Disab	Disab	

Table 2. Network Interface Configuration Options (1 of 2)

Option	Factory 1	Factory 2	Comments/Description
NET Framing:	D4	D4	Selects D4 or ESF framing format.
	ESF	ESF	
NET Coding:	AMI	AMI	Selects AMI or B8ZS line coding format.
	B8ZS	B8ZS	
LBO:	0.0	0.0	Line Build Out in dB.
	-7.5	-7.5	
	-15.0	-15.0	
	-22.5	-22.5	
ANSI PRM:	Enab	N/A	Sends ANSI Performance Report Messages.
	Disab		
Mgmt Link:	Enab	Enab	Specifies whether the FDL's Management Link is enabled.
	Disab	Disab	
NET LLB:	Enab	Enab	Network-initiated LLB allows LLB to be controlled by inband LLB codes.
	Disab	Disab	

Table 2. Network Interface Configuration Options (2 of 2)

Option	Factory 1	Factory 2	Comments/Description
NET PLB:	Enab	N/A	Network-initiated PLB allows PLB to be controlled by FDL PLB messages.
	Disab		
BitStuff:	N/A	62411	Enforces ONEs density protection per AT&T TR 62411, ANSI T1-403, and FCC Part 68 Technical Publication.
		Part68	
		Disab	
KeepAlive:	AIS	AIS	Specifies the keep alive signal to send to the network interface on a failure of the DTE signal.
	One (Framed All Ones)	One (Framed All Ones)	
	NetLp (Loopback of network signal)	NetLp (Loopback of network signal)	
Yellow:	Enab	Enab	Transcodes and sends Yellow signal to the network on receiving Yellow from DTE.
	Disab	Disab	
Circuit Ident:	Edit	Edit	Specifies the transmission vendor's circuit identifier.
	Clear	Clear	
CRC PThru (Passthrough):	Enab	Enab	Determines whether framing bits are passed to the DTE.
	Disab	Disab	

Table 3. General Configuration Options

Option	Factory 1	Factory 2	Comments/Description
Tst Timeout:	Enab	Enab	Specifies whether user-initiated tests are limited by the Tst Duration configuration option.
	Disab	Disab	
Tst Duration:	10	10	Specifies in minutes the duration of user-initiated tests.
	Up	Up	
	Down	Down	
	Save	Save	

Table 4. User Interface Configuration Options (1 of 4)

Option	Factory 1	Factory 2	Comments/Description
Self-Test:	Enab	Enab	Allows bypass of self-test on initialization.
	Disab	Disab	

Table 4. User Interface Configuration Options (2 of 4)

Option	Factory 1	Factory 2	Comments/Description
Dial-In:	Enab	Enab	Controls whether dial-in access is allowed.
	Disab	Disab	
Password:	None	None	Activates a password prompt that prevents access until a password is entered.
	Com	Com	
	Modem	Modem	
	Both	Both	
Com Port:	Enab	Enab	Controls whether the COM port is enabled or disabled.
	Disab	Disab	
Com Use:	Mgmt	Mgmt	Controls how the COM port is used.
	ASCII	ASCII	
	Term	Term	
ComExtDev:	Disab	Disab	Controls the COM port's external device commands.
	AT	AT	
	Other	Other	
ComConnPrefix:	Edit	Edit	Controls the COM port's connect prefix.
	Clear	Clear	
ComConnected:	Edit	Edit	Controls the COM port's connect indication string.
	Clear	Clear	
ComEscapeSeq:	Edit	Edit	Controls the COM port's escape sequence.
	Clear	Clear	
ComEscDel:	None	None	Controls the COM port's escape sequence delay.
	0.2s	0.2s	
	0.4s	0.4s	
	0.6s	0.6s	
	0.8s	0.8s	
	1.0s	1.0s	
ComDisconnect:	Edit	Edit	Controls the COM port's disconnect string.
	Clear	Clear	

Table 4. User Interface Configuration Options (3 of 4)

Option	Factory 1	Factory 2	Comments/Description
Com Rate: (Communication Port Rate)	1.2	1.2	Selects the bit rate for the COM port.
	2.4	2.4	
	4.8	4.8	
	9.6	9.6	
	14.4	14.4	
	19.2	19.2	
Char Length:	7	7	Selects the character length for the COM port.
	8	8	
CParity: (Communication Port Parity)	None	None	Selects the parity for the COM port.
	Even	Even	
	Odd	Odd	
CStop Bits: (Communication Port Stop Bits)	1	1	Selects the number of stop bits for the COM port.
	1.5	1.5	
	2	2	
Ignore DTR:	Yes	Yes	Specifies whether the COM port ignores DTR.
	No	No	
CmInActTm: (COM Port Inactivity Timeout)	Enab	Enab	Specifies whether the communication port disconnects after a certain period of inactivity.
	Disab	Disab	
CmDiscTm: (COM Port Disconnect Time)	5	5	Specifies the period of inactivity (1 to 60 minutes) that causes a disconnect if CmInActTm is enabled.
	Up	Up	
	Down	Down	
	Save	Save	
TnSession: (Telnet Session)	Enab	Enab	Specifies whether the DSU/CSU responds to Telnet session requests.
	Disab	Disab	
TnPaswd: (Telnet Password)	Enab	Enab	Specifies whether a password is required for Telnet sessions.
	Disab	Disab	
TnInActTm: (Telnet Inactivity Timeout)	Enab	Enab	Specifies whether a Telnet session disconnects after a certain period of inactivity.
	Disab	Disab	

Table 4. User Interface Configuration Options (4 of 4)

Option	Factory 1	Factory 2	Comments/Description
TnDiscTm: (Telnet Disconnect Time)	5	5	The period of inactivity (1 to 60 minutes) that causes a disconnect if TnInActTm is enabled.
	Up	Up	
	Down	Down	
	Save	Save	

Table 5. Alarm Configuration Options

Option	Factory 1	Factory 2	Comments/Description
Alrm Msg:	Disab	Disab	Does not display alarm messages.
	Com	Com	Sends alarm messages to COM port.
SNMP Trap:	Enab	Enab	Sends SNMP traps.
	Disab	Disab	
TrapDisc:	Enab	Enab	Specifies whether the modem connection will disconnect after a trap is sent.
	Disab	Disab	
DialOut:	Enab	Enab	Provides the option to allow automatic dial-out to send alarm messages on MODEM port.
	Disab	Disab	
Call Retry:	Enab	Enab	Specifies whether an outgoing call is retried on a busy or failed call attempt.
	Disab	Disab	
Dial Delay:	1-4 5 6-10	1-4 5 6-10	The time (in minutes) to delay between successive alarm dial-outs or retry attempts.
AltDialDir:	None 1-5	None 1-5	The alternate dial-out directory to use if a call to the primary number cannot be completed.
Err Rate: (Excessive Error Rate)	10E-4	10E-4	The error rate threshold for Excessive Error Rate Alarm.
	10E-5-10E-9	10E-5-10E-9	
AlrmRelay: (Alarm Relay)	Enab	Enab	Specifies whether to activate the alarm relay on an alarm condition.
	Disab	Disab	

Table 6. General Management Configuration Options (1 of 2)

Option	Factory 1	Factory 2	Comments/Description
SNMP Mgt:	Disab	Disab	Specifies whether the DSU/CSU responds to SNMP session requests.
	Enab	Enab	
NMS Valid:	Disab	Disab	Specifies whether the DSU/CSU validates the IP address of an SNMP manager attempting access.
	Enab	Enab	
Num Sec Mgrs:	1	1	The number of SNMP managers allowed to access the DSU/CSU.
	2–10	2–10	
NMS <i>n</i> IP Adr:	Edit	Edit	Allows you to define or clear the allowable IP address of an SNMP manager.
	Clear	Clear	
NMS <i>n</i> Access:	Read	Read	The type of access allowed for an SNMP manager using community name 1.
	R/W	R/W	
System Name:	Edit	Edit	The SNMP system name for this device.
	Clear	Clear	
System Location:	Edit	Edit	The SNMP system location for this device.
	Clear	Clear	
System Contact:	Edit	Edit	The SNMP system contact name for this device.
	Clear	Clear	
CommunityName1:	Edit	Edit	A community name that is allowed access to this device. Defaults to <i>public</i> .
	Clear	Clear	
Access 1:	Read	Read	The type of access allowed for community name 1.
	R/W	R/W	
CommunityName2:	Edit	Edit	A community name that is allowed access to this device.
	Clear	Clear	
Access 2:	Read	Read	The type of access allowed for community name 2.
	R/W	R/W	
IP Adr:	Edit	Edit	The IP address needed to access the device.
	Clear	Clear	
NetMask:	Edit	Edit	The Subnet Mask needed to access the device.
	Clear	Clear	
Com IP Adr:	Edit	Edit	The IP address for the COM port when configured for SNMP.
	Clear	Clear	

Table 6. General Management Configuration Options (2 of 2)

Option	Factory 1	Factory 2	Comments/Description
Com NetMask:	Edit	Edit	The Subnet Mask needed to access the device when the COM port is configured for SNMP.
	Clear	Clear	
Com Link:	PPP	PPP	The link layer protocol for the COM port when configured for SNMP.
	SLIP	SLIP	
IPBusMast:	Enable	Enable	Specifies whether the device is the IP Bus Master.
	Disab	Disab	
Def Netwk:	None	None	The default network connection.
	IPBus	IPBus	
	Com	Com	
	FDL	FDL	

Table 7. Management Trap Configuration Options (1 of 2)

Option	Factory 1	Factory 2	Comments/Description
Num Trap Mgrs:	1 2-6	1 2-6	The number of trap managers supported by the device.
Trap n IP Adr:	Edit	Edit	Specifies the IP address for each trap manager. This configuration option is repeated for all n managers.
	Clear	Clear	
Trap n Dst:	None	None	Specifies the network destination for Trap Manager n .
	IPBus	IPBus	
	Com	Com	
	FDL	FDL	
Gen Trap:	Disab	Disab	Specifies the general trap types to enable: WarmStart, Authentication Failure or both.
	Warm	Warm	
	Auth	Auth	
	Both	Both	
Entp Trap:	Enab	Enab	Specifies whether the EnterpriseSpecific trap type is enabled.
	Disab	Disab	

Table 7. Management Trap Configuration Options (2 of 2)

Option	Factory 1	Factory 2	Comments/Description
Link Trap:	Disab	Disab	Specifies the link trap type to enable: Trap on Link Up, Link Down, or both.
	Up	Up	
	Down	Down	
	Both	Both	
Trap I/F:	NET	NET	When any link trap types are enabled, specifies which links to send traps for.
	DTE	DTE	
	Both	Both	

Free Manuals Download Website

<http://myh66.com>

<http://usermanuals.us>

<http://www.somanuals.com>

<http://www.4manuals.cc>

<http://www.manual-lib.com>

<http://www.404manual.com>

<http://www.luxmanual.com>

<http://aubethermostatmanual.com>

Golf course search by state

<http://golfingnear.com>

Email search by domain

<http://emailbydomain.com>

Auto manuals search

<http://auto.somanuals.com>

TV manuals search

<http://tv.somanuals.com>