



ACCULINK 3161 DSU/CSU

QUICK REFERENCE

Document No. 3161-A2-GL11-40

PARADYNE™

Copyright © 1998 Paradyne Corporation.
All rights reserved.
Printed in U.S.A.

Notice

This publication is protected by federal copyright law. No part of this publication may be copied or distributed, transmitted, transcribed, stored in a retrieval system, or translated into any human or computer language in any form or by any means, electronic, mechanical, magnetic, manual or otherwise, or disclosed to third parties without the express written permission of Paradyne Corporation, 8545 126th Avenue North, P.O. Box 2826, Largo, Florida 33779-2826.

Paradyne Corporation makes no representation or warranties with respect to the contents hereof and specifically disclaims any implied warranties of merchantability or fitness for a particular purpose. Further, Paradyne Corporation reserves the right to revise this publication and to make changes from time to time in the contents hereof without obligation of Paradyne Corporation to notify any person of such revision or changes.

Changes and enhancements to the product and to the information herein will be documented and issued as a new release to this manual.

Warranty, Sales, and Service Information

Contact your sales or service representative directly for any help needed. For additional information concerning warranty, sales, service, repair, installation, documentation, or training, use one of the following methods:

- **Via the Internet:** Visit the Paradyne World Wide Web site at <http://www.paradyne.com>
- **Via Telephone:** Call our automated call system to receive current information via fax or to speak with a company representative.
 - Within the U.S.A., call 1-800-870-2221
 - International, call 727-530-2340

Trademarks

All products and services mentioned herein are the trademarks, service marks, registered trademarks or registered service marks of their respective owners.

ACCULINK 3161 DSU/CSU Quick Reference

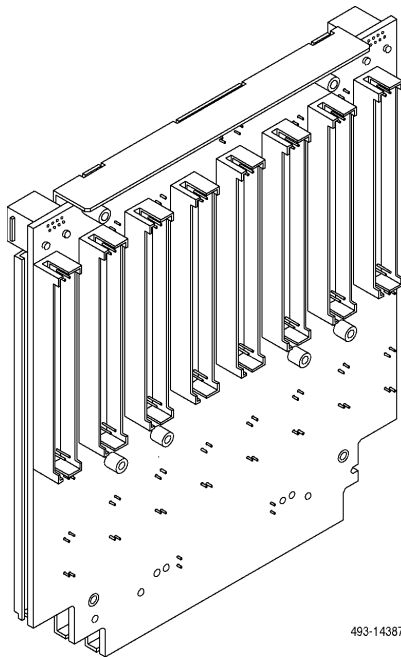
Document Number 3161-A2-GL11-40

February 1998

Quick Start Procedure

The following procedure is for experienced DSU/CSU users who are familiar with the 3161 DSU/CSU installation process and have no special requirements for their application. See the *ACCULINK 316x Data Service Unit/Channel Service Unit Operator's Guide* (3160-A2-GB21) for more information. A copy is included with the Auxiliary Backplane.

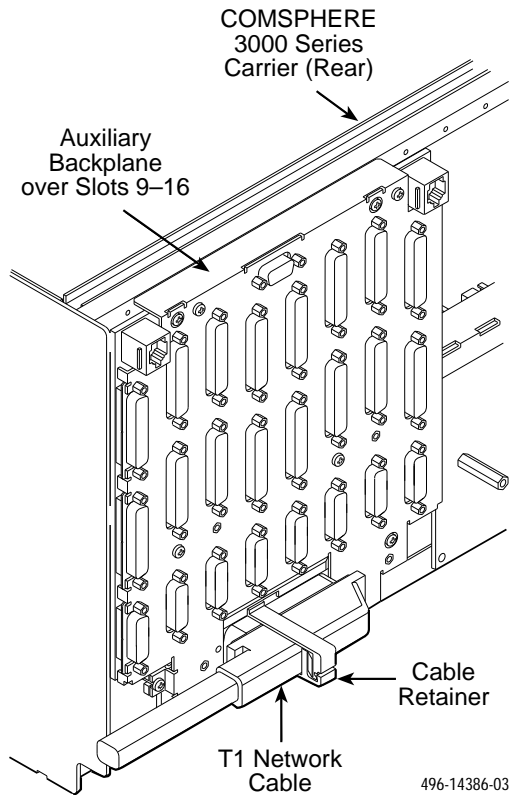
1. Install the Auxiliary Backplane onto the 3000 Series Carrier. See the *ACCULINK 3151 CSU and 3161 DSU/CSU General Information Guide* (3100-A2-GK40) for installation procedures.



493-14387

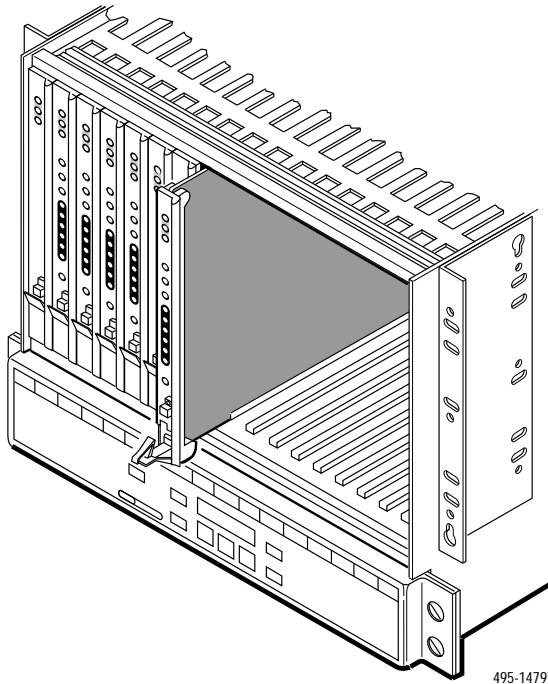
2. Attach the DTE cable (DB15) and/or port cables (DB25) to the appropriate connectors on the Auxiliary Backplane. See the *COMSPHERE 3000 Series Carrier Installation Manual* (3000-A2-GA31) for detailed cable and connector information. Connect the other end of the DTE cable to the customer premises equipment.

3. Attach the network cable to the Auxiliary Backplane using either a 50-pin cable or the T1 Network Interface Adapter. Connect the other end of the network cable to the connection provided by the telephone company.



4. Turn on the power to the 3000 Series Carrier.

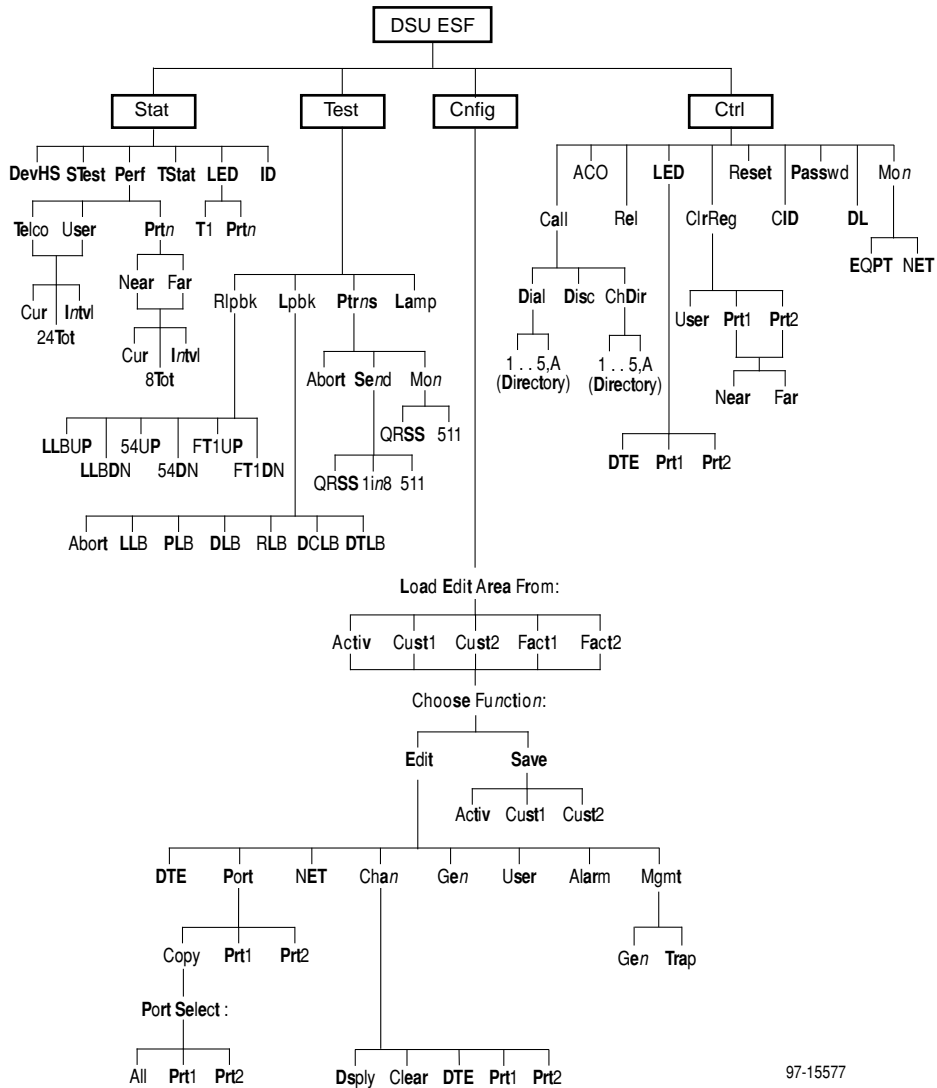
5. Insert the DSU/CSU circuit card into the appropriate slot in the carrier. The power-up self-test begins.



6. If you intend to use front panel emulation, connect the cable from the PC to Port 2 on the Auxiliary Backplane using the COM port adapter and COM-port-to-PC cable.
7. If you do not intend to use the DTE Drop/Insert T1 port, disable it using the configuration procedures in Chapter 3, *Operation*, and Appendix C, *Configuration Options*, of the *ACCULINK 316x Data Service Unit/Channel Service Unit Operator's Guide* (3160-A2-GB21). (The default setting for this port is **Enabled**.)
8. The Factory 1 configuration for ESF framing format and B8ZS line coding format is the default configuration and is appropriate for most networks. If this configuration does not work for you, try the Factory 2 configuration for D4 framing format and AMI line coding format. To further customize configuration options, refer to *Changing Configuration Options* in Chapter 3, *Operation*, and Appendix C, *Configuration Options*, in the *ACCULINK 316x Data Service Unit/Channel Service Unit Operator's Guide*.
9. During the power-up self-test, the **FAIL** LED flashes, then all LEDs blink twice. When the test is complete, verify that the DSU/CSU is functional by observing that the **OK**, **NETWORK SIG**, and **DTE SIG** LEDs are lit.
10. Configure the ports and channels you intend to use and assign channels to the network interface.

Configuration Options

Configuration options are accessed from the Cnfig branch of the front panel menu.



97-15577

Table 1. DTE Interface Configuration Options

Option	Factory 1	Factory 2	Comments/Description
DTE Port:	Enab	Enab	Enables the use of the DTE Drop/Insert port.
	Disab	Disab	
DTE Framing:	D4	D4	Selects D4 or ESF framing format.
	ESF	ESF	
DTE Coding:	AMI	AMI	Selects AMI or B8ZS line coding format.
	B8ZS	B8ZS	
Equal: (DTE Line Equalizer)	0–133	0–133	Provides selectable extended DTE range capability.
	133–266	133–266	
	266–399	266–399	
	399–533	399–533	
	533–655	533–655	
Extrn DLB: (External DTE Loopback)	Enab	Enab	Allows control of DLB on external contact closure.
	Disab	Disab	
Send Ones:	Enab	Enab	Sends all ones on channels allocated to the network T1 on LOS, LOF, or AIS.
	Disab	Disab	

Table 2. Port Configuration Options (1 of 3)

Option	Factory 1	Factory 2	Comments/Description
Port Type:	E530	E530	Selects the port type: EIA-530A, V.35, RS449, or X.21.
	V.35	V.35	
	RS449	RS449	
	X.21	X.21	
Base Rate:	Nx64	Nx64	Enables the port to either Nx56 or Nx64 rates.
	Nx56	Nx56	
Net DCLB:	Disab	Disab	Network-initiated DCLB, allows DCLB to be controlled by inband V.54 or FT1 (ANSI) codes.
	V.54	V.54	
	FT1	FT1	
	Both	Both	

Table 2. Port Configuration Options (2 of 3)

Option	Factory 1	Factory 2	Comments/Description
Port LB:	Disab	Disab	Port-initiated Loopbacks, allows Loopbacks to be initiated through the port by the external DTE.
	DTLB	DTLB	
	DCLB	DCLB	
	Both	Both	
All Ones:	Disab	Disab	All ones sent to network (DTE) T1 when DTR or RTS interrupted.
	DTR	DTR	
	RTS	RTS	
	Both	Both	
Rcv Yellow: (Received Yellow)	None	None	Data port remains enabled, or is disabled, on receiving Yellow on network T1.
	Halt	Halt	
Tx Clock:	Int	Int	Selects whether the transmitted data clock is internal (TXC) or external (XTXC).
	Ext	Ext	
InvertTxC: (Invert Tx Clock)	Enab	Enab	Selects phase inversion of the transmit clock (TXC).
	Disab	Disab	
InvertData:	Enab	Enab	Allows the data on the port to be inverted.
	Disab	Disab	
EDL:	Enab	Enab	Specifies whether the Embedded Data Link is enabled.
	Disab	Disab	
Err Rate: (Excessive Error Rate)	10E-4	10E-4	Selects the error rate threshold for Excessive Error Rate Alarm.
	10E-5	10E-5	
	10E-6	10E-6	
	10E-7	10E-7	
	10E-8	10E-8	
	10E-9	10E-9	
Near-end:	Disab	Disab	Specifies whether the device will maintain near-end performance statistics.
	Maint	Maint	
	Send	Send	
	Both	Both	

Table 2. Port Configuration Options (3 of 3)

Option	Factory 1	Factory 2	Comments/Description
Far-end:	Disab	Disab	Specifies whether the device will maintain far-end performance statistics.
	Maint	Maint	
Mgmt Link:	Enab	Enab	Specifies whether the EDL Management Link is enabled.
	Disab	Disab	

Table 3. Network Interface Configuration Options

Option	Factory 1	Factory 2	Comments/Description
NET Framing:	D4	D4	Selects D4 or ESF framing format.
	ESF	ESF	
NET Coding:	AMI	AMI	Selects AMI or B8ZS line coding format.
	B8ZS	B8ZS	
LBO:	0.0	0.0	Provides Line Build Out in dB.
	-7.5	-7.5	
	-15	-15	
	-22.5	-22.5	
ANSI PRM:	Enab	Enab	Sends ANSI Performance Report Messages.
	Disab	Disab	
Mgmt Link:	Enab	Enab	Specifies whether the FDL's Management Link is enabled.
	Disab	Disab	
NET LLB:	Enab	Enab	Network-initiated LLB allows LLB to be controlled by inband LLB codes.
	Disab	Disab	
NET PLB:	Enab	Enab	Network-initiated PLB allows PLB to be controlled by FDL PLB messages.
	Disab	Disab	
BitStuff:	62411	62411	Provides enforcement of ones density protection per AT&T TR 62411, ANSI T1-403, and FCC Part 68 Technical Publication.
	Part68	Part68	
	Disab	Disab	
Circuit Ident:	Edit	Edit	Specifies the transmission vendor's circuit identifier.
	Clear	Clear	

Table 4. DTE Drop/Insert Port Channel Configuration Options

Line 1 Displays:	Line 2 Displays:	Meaning	Comments/Description
N1 N2 N3 N24:	—	Unassigned	Function key under the channel (N1, N2, etc.) selects the DTE channel to assign (D1, D2, ... D24, or —).
	D1, D2 ... D24	Channel assigned to this DTE channel	
	Prt1 Prt2 Prt3 Prt4	Channel assigned to port 1,2,3, or 4	
D1 D2 D3 D24:	Data	Data Channel	Function key under the channel (D1, D2, etc.) selects either Data or RBS.
	RBS	Voice Channel	

Table 5. Data Port Channel Configuration Options (1 of 2)

Option	Factory 1	Factory 2	Comments/Description
Assign To:	NET	NET	Assigns this port to channels on the Network or DSX-1 T1 interface, or to another port.
	DTE	DTE	
	<i>Prtn</i>	<i>Prtn</i>	
Assign By:	Block	Block	Determines how channels are assigned: contiguous blocks, ACAMI or individual channels.
	ACAMI	ACAMI	
	Chan	Chan	
Option	Factory 1	Factory 2	Comments/Description
Port Rate:	64 (56)	64 (56)	<p>Selects the data rate for the port.</p> <p>The possible rates depend on whether the port is configured for Nx56 or Nx64.</p> <p>This configuration option only appears if the "Assigned By" configuration option is Block or ACAMI.</p>
	128 (112)	128 (112)	
	192 (168)	192 (168)	
	256 (224)	256 (224)	
	320 (280)	320 (280)	
	384 (336)	384 (336)	
	448 (392)	448 (392)	
	512 (448)	512 (448)	
	576 (504)	576 (504)	
	640 (560)	640 (560)	
	704 (616)	704 (616)	
	768 (672)	768 (672)	
	832 (728)	832 (728)	
	896 (784)	896 (784)	
	960 (840)	960 (840)	
	1024 (896)	1024 (896)	
	1088 (952)	1088 (952)	
	1152 (1008)	1152 (1008)	
	1216 (1064)	1216 (1064)	
1280 (1120)	1280 (1120)		
1344 (1176)	1344 (1176)		
1408 (1232)	1408 (1232)		
1472 (1288)	1472 (1288)		
1536 (1344)	1536 (1344)		

Table 5. Data Port Channel Configuration Options (2 of 2)

Option	Factory 1	Factory 2	Comments/Description	
Start At:	Clear	Clear	Clears (unassigns) channels for this port.	
	N1 (D1) N2 (D2) N3 (D3) N4 (D4) N5 (D5) N6 (D6) N7 (D7) N8 (D8) N9 (D9) N10 (D10) N11 (D11) N12 (D12) N13 (D13) N14 (D14) N15 (D15) N16 (D16) N17 (D17) N18 (D18) N19 (D19) N20 (D20) N21 (D21) N22 (D22) N23 (D23) N24 (D24)	N1 (D1) N2 (D2) N3 (D3) N4 (D4) N5 (D5) N6 (D6) N7 (D7) N8 (D8) N9 (D9) N10 (D10) N11 (D11) N12 (D12) N13 (D13) N14 (D14) N15 (D15) N16 (D16) N17 (D17) N18 (D18) N19 (D19) N20 (D20) N21 (D21) N22 (D22) N23 (D23) N24 (D24)	This configuration option appears if the "Assigned By" configuration option is Block or ACAMI.	
	Line 1 Displays:	Line 2 Displays:	Meaning	Comments/Description
	N1 N2 N3 N24: (If assigned to NET) D1 D2 D3 D24: (If assigned to DTE)	—	Unassigned	This configuration option appears if the "Assigned By" configuration option is individual channels (Chan).
		Prt1 Prt2 Prt3 Prt4	Channel assigned to port 1, 2, 3, or 4	
		D1, D2 ... D24	Channel assigned to this DTE channel	Function key under the channel (N1, N2 etc.) assigns (unassigns) port (1, 2, 3, or 4) to that channel.
		N1, N2 ... N24	Channel assigned to this NET channel	

Table 6. General Configuration Options

Option	Factory 1	Factory 2	Comments/Description
Gen Yellow: (Generate Yellow)	Enab	Enab	Yellow alarm is generated by the DSU/CSU on LOS, LOF, or AIS.
	Disab	Disab	
Clock Src:	NET	NET	Selects the clock source to be used as the master clock for the DSU/CSU.
	DTE	DTE	
	Prt1	Prt1	
	Int	Int	
	Ext	Ext	
Clock Rate:	2048	2048	Selects the clock rate of the source if external.
	1544	1544	
	8	8	
Tst Timeout:	Enab	Enab	Specifies whether the durations of user-initiated tests are limited by Tst Duration.
	Disab	Disab	
Tst Duration:	10	10	Specifies the duration of user-initiated loopback and pattern tests.
	Up	Up	
	Down	Down	
	Save	Save	

Table 7. User Configuration Options (1 of 3)

Option	Factory 1	Factory 2	Comments/Description
Self-Test:	Enab	Enab	Allows bypass of self-test on initialization.
	Disab	Disab	
Dial-In:	Enab	Enab	Controls whether dial-in access is allowed.
	Disab	Disab	
Password:	None	None	Controls whether a password is required for remote access.
	Com	Com	
Com Port:	Enab	Enab	Controls whether the COM port is enabled or disabled.
	Disab	Disab	
Com Use:	Mgmt	Mgmt	Controls how the COM port is used.
	ASCII	ASCII	
	Term	Term	
ComExtDev:	Disab	Disab	Controls the COM port's external device commands.
	AT	AT	
	Other	Other	
ComConnPrefix:	Edit	Edit	Controls the COM port's connect prefix.
	Clear	Clear	
ComConnected:	Edit	Edit	Controls the COM port's connect indication string.
	Clear	Clear	
ComEscapeSeq:	Edit	Edit	Controls the COM port's escape sequence.
	Clear	Clear	
ComEscDel:	None	None	Controls the COM port's escape sequence delay.
	0.2s	0.2s	
	0.4s	0.4s	
	0.6s	0.6s	
	0.8s	0.8s	
	1.0s	1.0s	
ComDisconnect:	Edit	Edit	Controls the COM port's disconnect string.
	Clear	Clear	

Table 7. User Configuration Options (2 of 3)

Option	Factory 1	Factory 2	Comments/Description
Com Rate: (Communication Port Rate)	1.2	1.2	Selects the bit rate for the COM port.
	2.4	2.4	
	4.8	4.8	
	9.6	9.6	
	14.4	14.4	
	19.2	19.2	
	38.4	38.4	
Char Length:	7	7	Selects the character length for the COM port.
	8	8	
CParity: (Communication Port Parity)	None	None	Selects the parity for the COM port.
	Even	Even	
	Odd	Odd	
CStop Bits: (Communication Port Stop Bits)	1	1	Selects the number of stop bits for the COM port.
	1.5	1.5	
	2	2	
Ignore DTR:	Yes	Yes	Specifies whether the COM port ignores DTR.
	No	No	
CmInActTm: (COM Port Inactivity Timeout)	Enab	Enab	Specifies whether the communication port disconnects after a certain period of inactivity.
	Disab	Disab	
CmDiscTm: (COM Port Disconnect Time)	5	5	Specifies the period of inactivity (1 to 60 minutes) that causes a disconnect if CmInActTm is enabled.
	Up	Up	
	Down	Down	
	Save	Save	
TnSession: (Telnet Session)	Enab	Enab	Specifies whether the DSU/CSU responds to Telnet session requests.
	Disab	Disab	
TnPaswd: (Telnet Password)	Enab	Enab	Specifies whether a password is required for Telnet sessions.
	Disab	Disab	
TnInActTm: (Telnet Inactivity Timeout)	Enab	Enab	Specifies whether a Telnet session disconnects after a certain period of inactivity.
	Disab	Disab	

Table 7. User Configuration Options (3 of 3)

Option	Factory 1	Factory 2	Comments/Description
TnDiscTm: (Telnet Disconnect Time)	5	5	The period of inactivity (1 to 60 minutes) that causes a disconnect if TnInActTm is enabled.
	Up	Up	
	Down	Down	
	Save	Save	

Table 8. Alarm Configuration Options (1 of 2)

Option	Factory 1	Factory 2	Comments/Description
Alrm Msg:	Disab	Disab	Does not display alarm messages.
	Com	Com	Sends alarm messages to COM port.
SNMP Trap:	Enab	Enab	Sends SNMP traps.
	Disab	Disab	
TrapDisc:	Enab	Enab	Specifies whether the modem connection will disconnect after a trap is sent.
	Disab	Disab	
DialOut:	Enab	Enab	Provides the option to allow automatic dial-out to send alarm messages on MODEM port.
	Disab	Disab	
Call Retry:	Enab	Enab	Specifies whether an outgoing call is retried on a busy or failed call attempt.
	Disab	Disab	
Dial Delay:	1–4 5 6–10	1–4 5 6–10	The time (in minutes) to delay between successive alarm dial-outs or retry attempts.
AltDialDir:	None 1–5	None 1–5	The alternate dial-out directory to use if a call to the primary number cannot be completed.
Err Rate: (Excessive Error Rate)	10E–4	10E–4	The error rate threshold for Excessive Error Rate Alarm.
	10E–5	10E–5	
	10E–6	10E–6	
	10E–7	10E–7	
	10E–8	10E–8	
	10E–9	10E–9	

Table 8. Alarm Configuration Options (2 of 2)

Option	Factory 1	Factory 2	Comments/Description
AlarmRelay: (Alarm Relay)	Enab	Enab	Specifies whether to activate the alarm relay on an alarm condition.
	Disab	Disab	

Table 9. General Management Configuration Options (1 of 2)

Option	Factory 1	Factory 2	Comments/Description
SNMP Mgt:	Enab	Enab	Specifies whether the DSU/CSU responds to SNMP session requests.
	Disab	Disab	
NMS Valid:	Enab	Enab	Specifies whether the DSU/CSU validates the IP address of an SNMP manager attempting access.
	Disab	Disab	
Num Sec Mgrs:	1	1	The number of SNMP managers allowed to access the DSU/CSU.
	2–10	2–10	
NMS <i>n</i> IP Adr:	Edit	Edit	Allows you to define or clear the allowable IP address of an SNMP manager.
	Clear	Clear	
NMS <i>n</i> Access:	Read	Read	The type of access allowed for an SNMP manager using community name 1.
	R/W	R/W	
System Name:	Edit	Edit	The SNMP system name for this device.
	Clear	Clear	
System Location:	Edit	Edit	The SNMP system location for this device.
	Clear	Clear	
System Contact:	Edit	Edit	The SNMP system contact name for this device.
	Clear	Clear	
CommunityName1:	Edit	Edit	A community name that is allowed access to this device. Defaults to <i>public</i> .
	Clear	Clear	
Access 1:	Read	Read	The type of access allowed for community name 1.
	R/W	R/W	
CommunityName2:	Edit	Edit	A community name that is allowed access to this device.
	Clear	Clear	
Access 2:	Read	Read	The type of access allowed for community name 2.
	R/W	R/W	

Table 9. General Management Configuration Options (2 of 2)

Option	Factory 1	Factory 2	Comments/Description
IP Adr:	Edit	Edit	The IP address needed to access the device.
	Clear	Clear	
NetMask:	Edit	Edit	The Subnet Mask needed to access the device.
	Clear	Clear	
Com IP Adr:	Edit	Edit	The IP address for the COM port when configured for SNMP.
	Clear	Clear	
Com NetMask:	Edit	Edit	The Subnet Mask needed to access the device when the COM port is configured for SNMP.
	Clear	Clear	
Com Link:	PPP	PPP	The link layer protocol for the COM port when configured for SNMP.
	SLIP	SLIP	
IPBusMast:	Enable	Enable	Specifies whether the device is the IP Bus Master.
	Disab	Disab	
Def Netwk:	None	None	Specifies the default network destination.
	IPBus	IPBus	
	Com	Com	
	FDL	FDL	
	EDL n	EDL n	

Table 10. Management Trap Configuration Options

Option	Factory 1	Factory 2	Comments/Description
Num Trap Mgrs:	1 2–6	1 2–6	The number of trap managers supported by the device.
Trap IP Adr:	Edit	Edit	Specifies the IP address for each trap manager. This configuration option is repeated for all n managers.
	Clear	Clear	
Trap Dst:	Def	Def	Specifies the network destination for Trap Manager n .
	IPBus	IPBus	
	Com	Com	
	FDL	FDL	
	EDL n	EDL n	
Gen Trap:	Disab	Disab	Specifies the general trap types to enable: WarmStart, Authentication Failure or both.
	Warm	Warm	
	Auth	Auth	
	Both	Both	
Entp Trap:	Enab	Enab	Specifies whether the EnterpriseSpecific trap type is enabled.
	Disab	Disab	
Link Trap:	Disab	Disab	Specifies the link trap type to enable: Trap on Link Up, Link Down, or both.
	Up	Up	
	Down	Down	
	Both	Both	
Trap I/F:	NET	NET	When any link trap types are enabled, specifies which links to send traps for.
	DTE	DTE	
	T1s	T1s	
	Ports	Ports	
	All	All	

Free Manuals Download Website

<http://myh66.com>

<http://usermanuals.us>

<http://www.somanuals.com>

<http://www.4manuals.cc>

<http://www.manual-lib.com>

<http://www.404manual.com>

<http://www.luxmanual.com>

<http://aubethermostatmanual.com>

Golf course search by state

<http://golfingnear.com>

Email search by domain

<http://emailbydomain.com>

Auto manuals search

<http://auto.somanuals.com>

TV manuals search

<http://tv.somanuals.com>