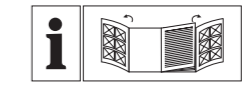


# DOUBLE GRINDING MACHINE



PDS 200 A



**GB** Before reading, unfold both pages containing illustrations and familiarise yourself with all functions  
**IE** of the device.  
**CY**

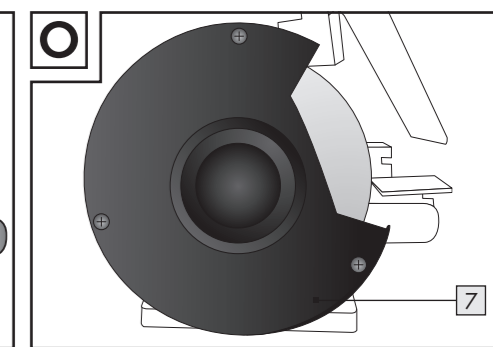
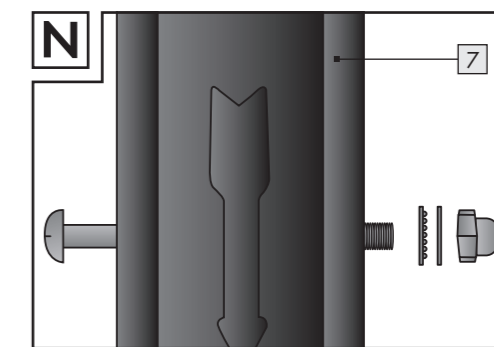
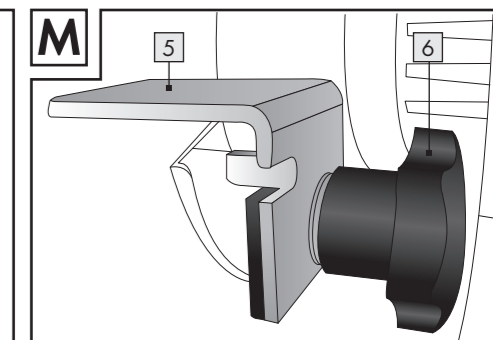
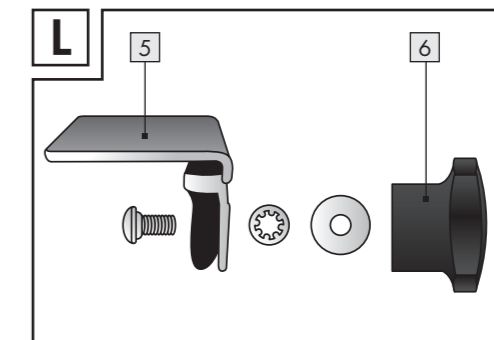
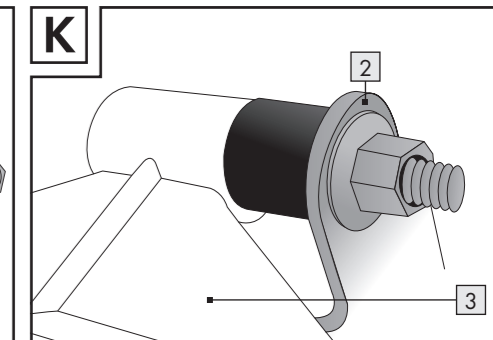
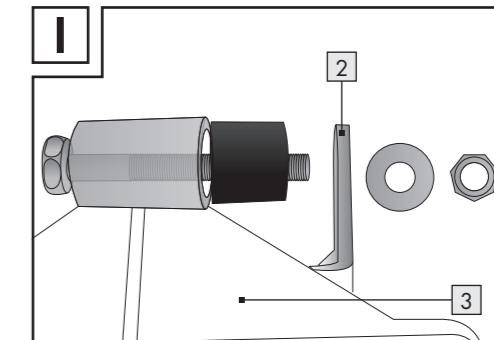
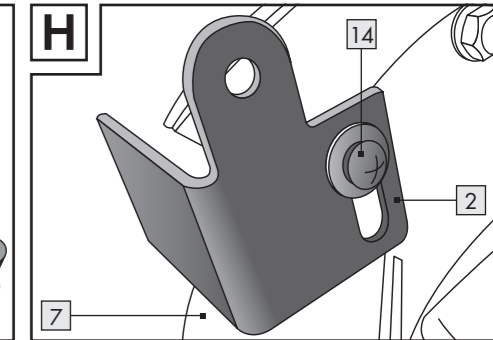
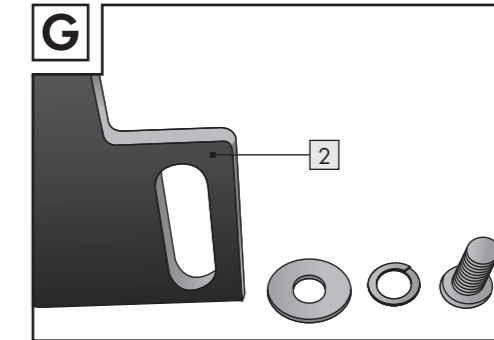
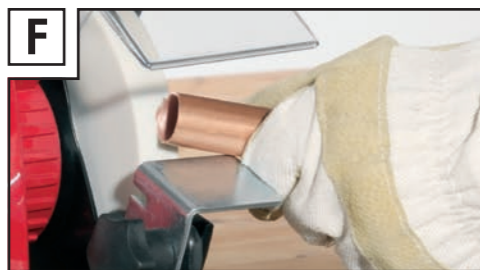
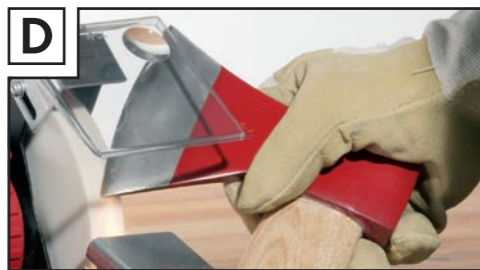
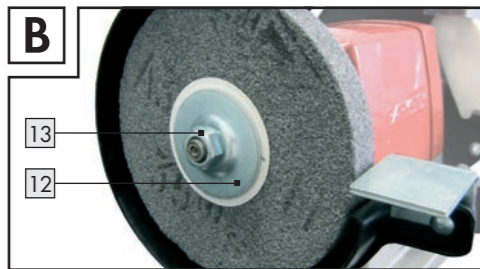
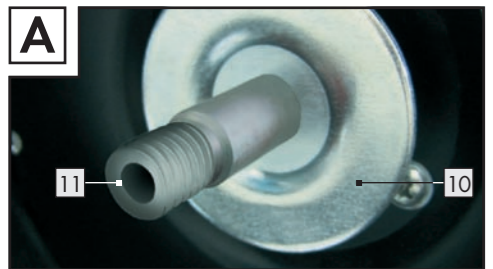
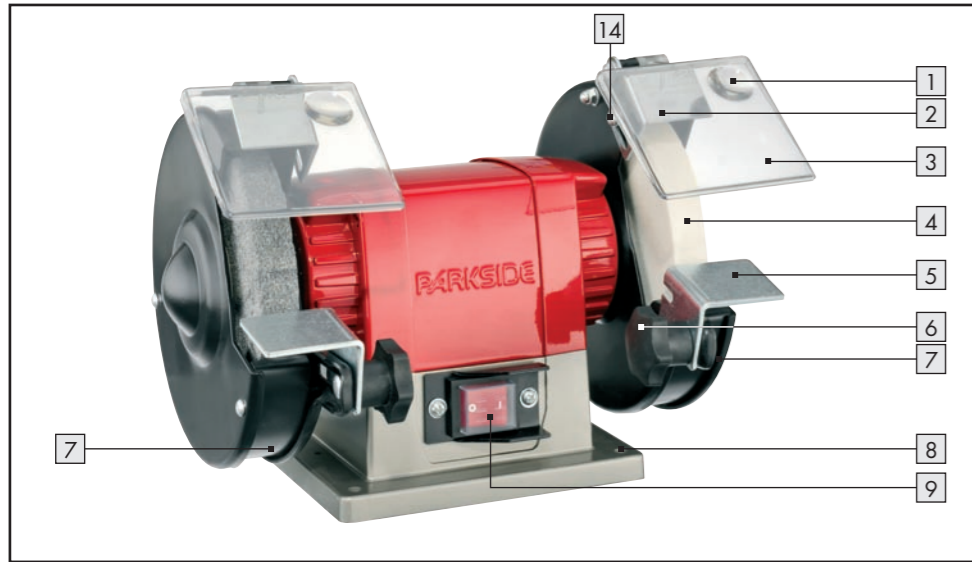
Kompernaß GmbH  
Burgstraße 21  
D-44867 Bochum (Germany)

**GB** DOUBLE GRINDING MACHINE  
**IE** Operation and Safety Notes  
**CY**

GB/IE/CY Operation and Safety Notes

Page 5

Last Information Update 08 / 2007  
Ident.-No.: PDS 200 A082007-6



## Introduction

Proper use.....	Page 6
Features and equipment.....	Page 6
Included items.....	Page 7
Technical information.....	Page 7

## Safety advice

Workplace safety.....	Page 7
Electrical safety.....	Page 7
Personal safety.....	Page 8
Careful handling and use of electrical power tools.....	Page 8
Safety advice relating to this specific device.....	Page 9
Have you understood everything?.....	Page 10

## Before use

Assembly.....	Page 10
Positioning the workpiece/tool rests and eye guard mounts.....	Page 10

## Preparing for first use

Switching on and off.....	Page 10
Grinding a workpiece.....	Page 11
Replacing a grinding wheel.....	Page 11
Original accessories/ attachments.....	Page 11

## Maintenance and cleaning.....

Page 12











## Disposal.....

Page 12

## Information

Service centre.....	Page 12
Declaration of Conformity/ Manufacturer.....	Page 12

**The following pictogrammes / symbols are used in these operating instructions:**

	Read the operating instructions!	<b>W</b>	Watts (effective power)
	Always heed warning labels and safety instructions!		Wear hearing protection, dust protection mask, protective glasses and protective gloves.
	Caution - Danger of electric shock! Hazardous voltage – danger to life!		Keep children and other unauthorised personnel at a safe distance when using electrical tools.
	Explosive material!		Keep the device away from rain or moisture. Water entering an electrical device increases the risk of electric shock.
	Risk of fire!		Damaged appliances, power cables and power plugs mean potentially fatal risks from electric shock. Regularly check the condition of the appliance, the power cables and the power plugs.
<b>V</b> ~	Volt (AC)		Dispose packaging and appliance in an environmentally-friendly way!

## Double grinding machine PDS 200 A for grinding and sharpening metal tools

### Introduction



Please make sure you familiarise yourself fully with the way the device works before you use it for the first time and that you understand how to handle electrical power tools correctly. To help you do this please read the accompanying operating instructions. Keep these instructions in a safe place. If you pass the device on to anyone else, please ensure that you also pass on all the documentation.

### Proper use

The double grinding machine is intended for grinding and sharpening metal tools such as drills, chisels etc. and metal items. The device is not intended for commercial use. Any other use or modification to the device shall be considered as improper use

and could give rise to considerable dangers. The manufacturer will not accept liability for loss or damage arising from improper use.

### Features and equipment

- 1 Magnifying glass
- 2 Eye guard mount
- 3 Eye guard
- 4 Grinding wheel
- 5 Workpiece/tool rest
- 6 Adjuster screw for workpiece/tool rest
- 7 Wheel guard cover
- 8 Mounting holes
- 9 ON/OFF switch
- 10 Machine-side flange
- 11 Left-hand thread
- 12 Outside flange
- 13 Nut
- 14 Fastening screw

## ⊗ Included items

**Check that all the items and accessories are present immediately after unpacking the device:**

- 1 Double grinding machine PDS 200 A with
  - 2 x eye guard mounts / eye guards
  - 2 x workpiece/tool rests / adjuster screws
- 1 Operating instructions
- 1 Booklet covering "Warranty and service"

## ⊗ Technical information

Rated voltage:	230V ~ 50 Hz
Nom. power input:	200 W
No load speed:	$n_0$ 2.950 min <sup>-1</sup>
Grinding wheel diameter:	150 mm
Grinding wheel width:	20 mm
Grinding wheel bore:	20 mm
Circumferential speed	
max.:	23.2 m/s

Noise data:

Refers to A-weighted sound level.

Sound pressure level: 75.30 dB (A)

Sound level: 85.00 dB (A)

Values determined in accordance with EN 61029

**PDS 200 A**  
KH 3167

**PARKSIDE**

230 V ~ 50 Hz · 200 W  
Date of manufacture: 12-2007





$D$  — 150 mm  
 $d$  — 20 mm / 1/2"  
 $t$  — 20 mm  
 $n_0$  — 2.950 min<sup>-1</sup>  
 $v$  — 23.2 m/s

Kompernaß GmbH · D- 44867 Bochum · Germany  
www.kompernass.com

## ⊗ Safety advice

- **Attention!** In order to protect yourself from the danger of electric shock, injury or fire when using electrical power tools please observe the following safety precautions.  
Read and observe these requirements before you use the device and keep the safety advice in a safe place. Failure to observe the instructions and advice given below may result in electric shock, fire and/or serious injury.


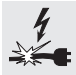
## ⊗ Workplace safety

- Keep your working area clean and clutter-free. Ensure that your working area is well lit. Untidy or poorly lit working areas can lead to accidents.
-  **Risk of explosion!** Do not work with the device in potentially explosive environments in which there are inflammable liquids, gases or dusts. Electrical power tools create sparks, which can ignite dusts or fumes.
-  Keep children and other people away while you are operating the electrical power tool. Distractions can cause you to lose control of the device.


## ⊗ Electrical safety

 **To avoid danger to life from electric shock**

- The mains plug on the device must match the mains socket. The plug must not be modified in any way. Do not use an adapter plug with devices fitted with a protective earth. Unmodified plugs and matching sockets reduce the risk of electric shock.
- Avoid touching earthed surfaces such as pipes, radiators, ovens and refrigerators with any part of your body. There is an increased risk of electric shock if your body is earthed.

-  Keep the device away from rain or moisture. Water entering an electrical device increases the risk of electric shock.
  - Do not use the mains lead for any purpose for which it was not intended, e.g. to carry the device or to pull the mains plug out of the mains socket. Keep the mains lead away from heat, oil, sharp edges or moving parts of the device. Damaged or tangled mains leads or plugs increase the risk of electric shock.
  -  A damaged tool, mains lead or plug presents a serious danger to life from electric shock.
  - Check the condition of the plug and cable on your electrical power tool regularly and have any damage repaired by a competent specialist.
  - When working outdoors always use extension cables that are also approved for use outdoors. The use of an extension cable suitable for outdoor use reduces the risk of electric shock.
  - Do not use the device if it has any damaged parts. If a dangerous situation arises pull out the mains plug from the socket immediately.
- ⚠ Warning!** Never open the device. Always have any repairs carried out or replacement parts fitted at the service centre or by an electrical equipment repair specialist.

### Personal safety

- Remain alert at all times and always watch what you are doing. Work carefully when using an electrical power tool. Do not use the device if you cannot concentrate or are tired or under the influence of drugs, alcohol or medication. Just one moment of carelessness when using the device can lead to serious injury.
-  Wear personal protective equipment and always wear safety glasses. The wearing of personal protective equipment such as dust masks, non-slip safety shoes, protective gloves, safety helmets or ear

- protectors, appropriate to the type of electrical power tool used and work undertaken, reduces the risk of injury.
- Avoid unintentional operation of the device. Make sure that the switch is in the "OFF" position before you insert the mains plug into the socket. Accidents can happen if you carry the device with your finger on the ON/OFF switch or you have already switched the device on before you connect it to the mains.
- Remove any setting tools or spanners before you switch the device on. A tool or spanner left attached to a rotating part of a device can lead to injury.
- Do not overestimate your own abilities. Keep proper footing and balance at all times. By doing this you will be in a better position to control the device in unforeseen circumstances.
- Wear suitable clothing. Do not wear loose clothing or jewellery. Keep your hair, clothing and gloves clear of moving parts. If you have long hair, wear a hair net. Clothing, jewellery or hair that is loose or hangs from your body, head or limbs can become trapped in moving parts.

### Careful handling and use of electrical power tools

- Do not overload the device. Always use an electrical power tool that is intended for the task you are undertaking. By using the right electrical power tool for the job you will work more safely and achieve a better result.
- Do not use an electrical power tool if its switch is defective. An electrical power tool that can no longer be switched on and off is dangerous and must be repaired.
- Pull the mains plug from the socket before you make any adjustments to the device, change accessories or when the device is put away. This precaution is intended to prevent you from unintentionally starting the device.
- When not in use always ensure that electrical power tools are kept out of reach of children. Do not let anyone use the device if he or she is

not familiar with it or has not read the instructions and advice. Electrical power tools are dangerous when they are used by inexperienced people.

- Look after the device carefully. Check that moving parts are working properly and move freely. Check for any parts that are broken or damaged enough to detrimentally affect the functioning of the device. Have damaged parts repaired before you use the device. Many accidents have their origins in poorly maintained electrical power tools.
- Use the electrical power tool, accessories, inserted tools etc. in accordance with these instructions and advice, and the stipulations drawn up for this particular type of device. In doing this, take into account the working conditions and the task in hand. The use of electrical power tools for purposes other than those intended can lead to dangerous situations.



### Safety advice relating to this specific device

- Do not touch the mains lead if it becomes damaged or cut through while you are using the device. Pull the plug out of the mains socket immediately and have the device repaired by a suitably qualified person or at your service centre.
- Do not operate the device if it is damp and do not use it in a damp environment.
- If you use the device outdoors, always connect it through a residual current device (RCD) with a maximum trip current of 30 mA. If using an extension lead, always use one that is approved for outdoor use.
- If a dangerous situation arises, pull the mains plug immediately out of the mains socket.
- Always work with the mains lead leading away from the rear of the device.



#### **Danger of fire from flying sparks!**

Grinding metal creates flying sparks. For this reason, always make sure that nobody is placed in any danger and that there are no inflammable materials near the working area.

#### **Warning! Noxious fumes!**

Working with harmful / noxious dusts represents a risk to the health of the person operating the device and to anyone near the work area.



Wear protective glasses, hearing protection, dust protection mask and protective gloves.

- **Danger of burns!** The workpiece gets hot during grinding. Never touch the part you are grinding. Allow the workpiece to cool sufficiently first. When grinding for longer periods, stop grinding from time to time and allow the workpiece to cool before continuing. Do not operate the device for continuous periods exceeding 30 minutes.
- The double grinding machine is intended for dry grinding of the surfaces of metal objects. The device may only be used for dry grinding.
- Do not grind materials containing asbestos. Asbestos is a known carcinogen.
- Do not use damaged grinding wheels.
- Only use grinding wheels with details that correspond with those given on the device rating plate. The circumferential speed should be equal to or greater than the value given on the device rating plate.
- Adjust the eye guard mounts (spark deflectors) and the eye guards periodically so that wear on the grinding wheels can be evened out. Keep the gap as small as possible.
- Avoid contact with the moving grinding wheel.
- Never leave the device working unattended.
- Never use the device for a purpose for which it was not intended.
- Before you insert the mains plug into the socket, always check that the device is switched off.
- Always switch the device on before bringing the workpiece into contact with the grinding wheel. After grinding, lift off the workpiece before switching the device off.
- Hold the workpiece firmly with both hands at all times when working.
- Always keep proper footing and balance.
- After you have finished grinding metal, allow the grinding wheel(s) to come to a standstill.
- When taking a break from your work, before carrying out any tasks on the device itself and

when you are not using the device, always pull the mains plug out of the mains socket.

- Handle the device carefully and treat it with respect. Always keep the device clean, dry and free of oil or grease.
- Remain alert at all times! Always watch what you are doing and proceed with caution. Do not use the device if you cannot concentrate or you are feeling unwell.

## ⊗ Have you understood everything?

- Once you have made yourself familiar with the instructions and advice, the functioning and handling of your device, you are finally in a position to start work. Observing the manufacturer's instructions and advice will maximise your safety while working with the device.

## ⊗ Before use

### ⊗ Assembly

- Before using the device for the first time make sure that you have fitted all its parts.
  - 1) Attach the two eye guard mounts [2] to the inside of the wheel guard covers [7], one each on the left and right sides. Use the illustrated fixings in the arrangement shown (see Figs. G, H).
  - 2) Attach the eye guards [3] to the eye guard mounts [2], one each on the left and right sides. Use the illustrated fixings in the arrangement shown (see Figs. I, K).

**Note:** The illustrations show the left side.
  - 3) Attach the two workpiece/tool rests [5] to the inside of the wheel guard covers [7], one each on the left and right sides. Use the illustrated fixings in the arrangement shown (see Figs. L, M).

**Note:** The illustrations show the left side.
- Mount the double grinding machine on a firm, level surface, if at all possible on a fixed support, e.g. working surface, workbench. Use the four mounting holes [8] and suitable fixings (not supplied). Refer to Figure C.

## ⊗ Positioning the workpiece/tool rests and eye guard mounts

To ensure safe working, the workpiece/tool rests [5], the eye guards [3] and the eye guard mounts [2] must be correctly positioned.

- Check and correct the settings at frequent intervals to ensure even wear on the grinding wheels [4].

### Adjusting the workpiece/tool rests

- 1) To adjust the setting, first loosen the adjuster screw [6].
- 2) Bring the workpiece/tool rest close up to the grinding wheel [4], the distance between the grinding wheel [4] and the workpiece/tool rest (5) must be no more than 2 mm.
- 3) Retighten the adjuster screw [6] and check using your hand that the grinding wheel [4] movement is true and free.

### Adjusting the eye guard mounts

- 1) To adjust the setting, first loosen the fastening screw [14].
- 2) Bring the eye guard mount [2] close up to the grinding wheel [4], the distance between the grinding wheel [4] and the eye guard mount [2] must be no more than 2 mm.
- 3) Retighten the fastening screw [14] and check using your hand that the grinding wheel [4] movement is true and free. A worn out grinding wheel [4] needs to be replaced. This is necessary when the specified gap cannot be achieved even after readjusting the positions of the workpiece/tool rest [5] and/or the eye guard mount [2].

## ⊗ Preparing for first use

### ⊗ Switching on and off

The voltage must agree with that shown on the device rating plate (devices shown as 230 V can also be connected to a 220 V supply).



## Switching on

- Press the ON/OFF switch [9] into the „1“ position to switch the device on and run it at a constant speed

## Switching off

- Press the ON/OFF switch [9] into the „0“ position to switch the device off.

## ⊗ Grinding a workpiece

- Switch on the machine as described above.
- To grind metal tools or metal items, place the workpiece on the workpiece/tool rest [5] and slowly bring it up to the grinding wheel [4].
- Press the workpiece carefully against the grinding wheel [4]. Pressing too hard can overload the device. When grinding always use the circumferential end face (not the sides) of the grinding wheel only (See Figures D, E, F).

## ⊗ Replacing a grinding wheel

**Attention!** Before carrying out any tasks on the device itself and when you are not using the device, always pull the mains plug out of the mains socket.

- Do not use damaged grinding wheels.
  - Only use grinding wheels with details that correspond with those given on the device rating plate. The circumferential speed should be equal to or greater than the value given on the device rating plate.
  - Only grinding wheels with markings indicating the manufacturer, the type of adhesive, dimensions and permitted circumferential speed are to be used. If you install new grinding wheels carry out a ringing test before use. Grinding wheels in good condition give a clear ringing noise when struck lightly with a plastic hammer.
- 1) Take off the outer part of the wheel guard cover [7] by unscrewing the 3 threaded fixings (see Figs. N, O).

- 2) Release the nut [13] and then remove the outside flange [12].
  - 3) Now replace the grinding wheel and reassemble all the components in the reverse order. Take note that the left-hand side of the double grinding machine has a left-hand thread [11] and the right-hand side has a right-hand thread. This ensures that the nuts can only be screwed off in the direction of rotation of the spindle.
- Use only the supplied flanges to mount the grinding wheels.

**Note: The grinding wheels are fitted with a 1/2" adapter so that they can be used with grinding wheels purchased later with either a 1/2", or a 20 mm bore. Grinding wheels are available in various grit grades and hardnesses.**

The central fixing holes in grinding wheels must not be redrilled.

## ⊗ Original accessories / attachments

- Use only the accessories and attachments detailed in the operating instructions. The use of inserted tools or accessories other than those recommended in the operating instructions could lead to you suffering an injury.

## ⊗ Maintenance and cleaning

**Attention!** Before carrying out any tasks on the device itself and when you are not using the device, always pull the mains plug out of the mains socket.

The device is largely maintenance-free.

- Clean the device frequently. For best results, clean the double grinding machine immediately after you have finished using it.
- Do not allow any liquids to enter the device. Use a dry cloth to clean the device.
- Do not under any circumstances use petrol or

strong solvents.

- Store the device in a dry room.

## **Disposal**



The packaging is wholly composed of environmentally-friendly materials that can be disposed of at a local recycling centre.



**Do not dispose of electrical power tools with the household rubbish!**

In accordance with European Directive 2002/96/EC (covering waste electrical and electronic equipment) and its transposition into national legislation, worn out electrical power tools must be collected separately and taken for environmentally compatible recycling.

Contact your local refuse disposal authority for more details of how to dispose of your worn out electrical devices.

## **Information**

### **Service centre**

The service centre for your country is shown in the warranty documentation.

- Have your device repaired only by qualified specialist personnel using original manufacturer parts only. This will ensure that your device remains safe to use.
- If the plug or mains lead needs to be replaced, always have the replacement carried out by the manufacturer or its service centre. This will ensure that your device remains safe to use.

## **Declaration of Conformity / Manufacturer CE**

We, Kompernaß GmbH, Burgstr. 21, D-44867 Bochum, Germany, declare that this product complies with the following EU directives:

**Machinery Directive (98 / 37 / EC)**

**EU Low Voltage Directive (2006 / 95 / EC)**

**Electromagnetic Compatibility (89 / 336 / EEC, 93 / 68 / EEC)**

### **Type / device description:**

Parkside double grinding machine PDS 200 A

Bochum, 31.08.2007

Hans Kompernaß  
- Managing Director -

We reserve the right to make technical modifications in the course of further development.

## Free Manuals Download Website

<http://myh66.com>

<http://usermanuals.us>

<http://www.somanuals.com>

<http://www.4manuals.cc>

<http://www.manual-lib.com>

<http://www.404manual.com>

<http://www.luxmanual.com>

<http://aubethermostatmanual.com>

Golf course search by state

<http://golfingnear.com>

Email search by domain

<http://emailbydomain.com>

Auto manuals search

<http://auto.somanuals.com>

TV manuals search

<http://tv.somanuals.com>