

CD - 5220C Customer Display



- Large and easy to read characters

The CD-5220 customer pole display uses a vacuum fluorescent display (VFD) tube presenting bright and easy to read characters. Because of the VFD technology, the display is viewable from a wide angle. Customers will appreciate not having to remain in a fixed viewing position to see the display.

- Universal character font table, 4 user selectable height

The CD-5220 customer pole display has two pole sections giving you the choice of four different display heights. The display can be rotated up to 270 degrees. The head of the display can tilt up to 35 degrees maximum. The combination of these features gives you the flexibility to tailor the display position to your unique application. With two lines of twenty characters, the CD-5220 can display 96 alphanumeric messages with 13 international characters.

- User-friendly connections

The CD-5220 customer pole display uses an easy to connect RS-232C serial port connection with available communication speeds of 4800 or 9600 bps. The CD-5220 pass-through function allows you to connect another serial device by sharing one single serial port on the host system. **The CD-5220 also offers a variety of emulation modes including Epson, Aedex, Emax, and Ultimate.**



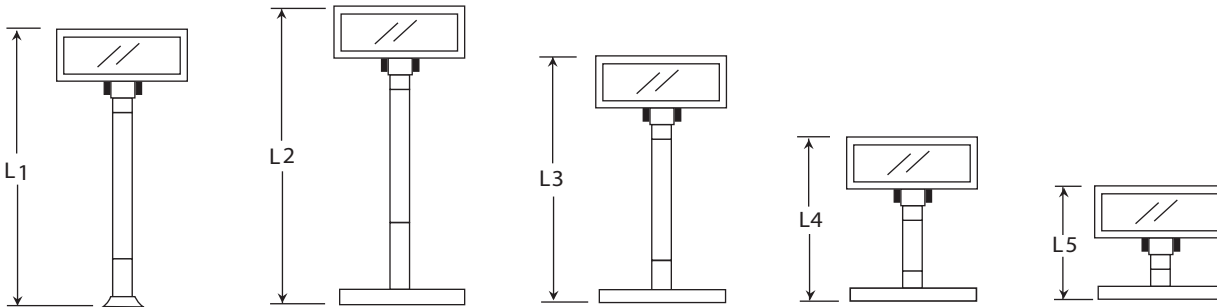
VFD CUSTOMER DISPLAY	
•	Display method : Vacuum fluorescent display
•	Number of characters : 40 characters (20 columns X 2 lines)
•	Display color : blue green
•	Brightness : 700 cd / m ²
•	13 international character sets including US, French, Germany, Spanish, etc. One set downloadable set-up parameters and character fonts (option)
•	Character type : 96 alphanumeric
•	Character font : 5 X 7 dot matrix
•	Character size : 9.0 mm 5.25 mm
•	Character pitch : 8.3 mm
•	Power supply voltage : 12VDC + / -5% (optional 5V or 24V)
•	Interface : Serial pass through
•	Power consumption : 5W
•	MTBF : 25,000 hours
•	View angle : 8° ~ 35°
•	Rotation angle : 270° maximum
•	4 user selectable heights
•	FCC, CE, EMC Approved

Pole Display Configuration

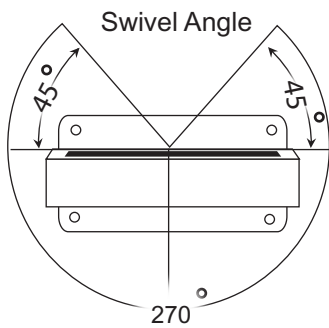


CD-5220 Series

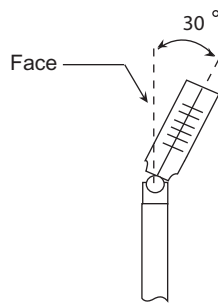
L1 L2 L3 L4 L5
19.3 20.4 16.9 11.3 7.8 in



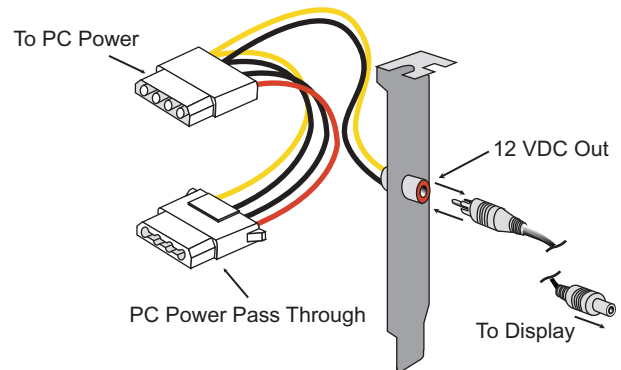
Base Height Dimensions



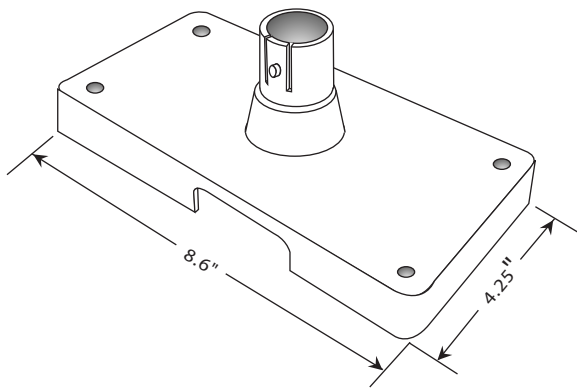
Top View



Tilt Angle

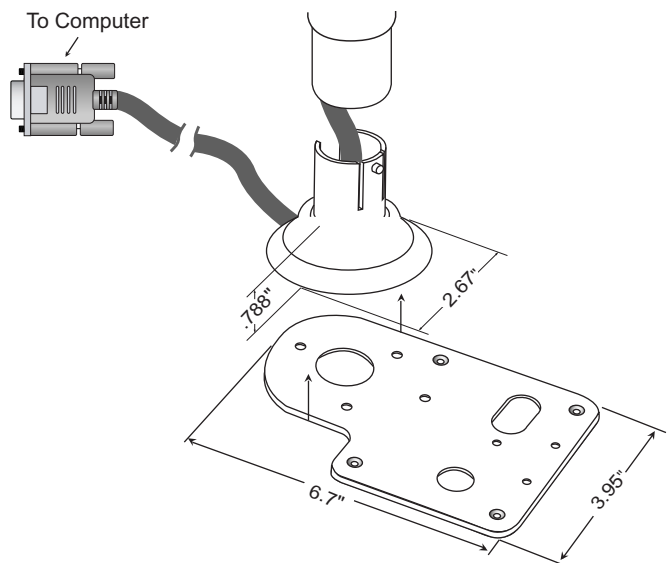


Part Number: CD - PWKIT



This configuration provides a D-sub 9 connector for printer pass through.

Base Type: S standard



This configuration requires a different cable (part # CB-CDRJD9Y) for printer pass through.

Base Type: S small

Free Manuals Download Website

<http://myh66.com>

<http://usermanuals.us>

<http://www.somanuals.com>

<http://www.4manuals.cc>

<http://www.manual-lib.com>

<http://www.404manual.com>

<http://www.luxmanual.com>

<http://aubethermostatmanual.com>

Golf course search by state

<http://golfingnear.com>

Email search by domain

<http://emailbydomain.com>

Auto manuals search

<http://auto.somanuals.com>

TV manuals search

<http://tv.somanuals.com>