



**PATRIOT**

*The New Performance Standard.*

OWNER'S & OPERATOR'S  
**MANUAL**



FOR MODELS WITH  
ELECTRIC MOTORS



## ⑧ ILLUSTRATED PARTS LIST: '95 PATRIOT ELECTRIC 2HP

The "Illus. #" refers to the numbered parts in the illustrations. Use the "Order #" and the "Description" when ordering. "Qty." refers to the total number of each part the machine is built with. Items without an "Illustration #" are available but not shown in the drawings.

Illus. #	Order #	Description	Qty.
1	82515-000-2	1.5 HP ELECTRIC MOTOR w/ KEY	1
2	30101-019-5	ENGINE MOUNT/AXLE, IRON GRAY	1
3	30201-021-2A	GRINDER HOUSING (CALL FACTORY)	1
4	30800-079-2	ROTOR w/ 3/4" BORE, 3/16" KEY WAY	1
5	10300-903-5	Y HAMMERS	6
6	20400-904-5	ELECTRIC MODEL HAMMER SHAFT	4
7	21100-907-5	SPACER A (short, plain)	2
8	21100-905-5	SPACER B (short w/ hole)	2
9	21100-935-5	SPACER C (long w/ hole)	2
10	81000-901-2	ELECTRIC CHIPPER KNIFE	1
11	30301-023-2	CENTER PLATE, COMPACT, IRON GRAY	1
12	30201-025-2	FAN HOUSING, COMPACT, IRON GRAY	1
13	61201-027-2	LEG, COMPACT FRAME, IRON GRAY	1
14	40001-055-5	CHIPPER CONE CASTING, IRON GRAY	1
15	50003-051-5A	SHREDDER HOPPER, BLUE	1
16	11301-039-5A	DISCHARGE DEFLECTOR, IRON GRAY	1
17	50003-037-5A	CHIPPER CONE, BLUE	1
18	11405-034-5	HOPPER GUARD	1
19	70006-040-5	COLLECTION BAG, 24" x 36"	1
20	70904-000-5	12" WHEEL, SILVER	2
21	70800-000-5	BEARING, 1" BORE & LOCK COLLAR	1
22	73070-000-2	BTN. HD. SOCK. CAP SCR. 3/8-16x3/4"	4
23	70552-000-5	HEX HEAD CAP SCREW, 5/16-18 x 3/4"	3
25	70572-000-5	BUTTON HEAD SOCKET CAP SCREW, 5/16-18 x 1/2"	7
26	70685-000-5	FLAT HEAD SOCKET CAP SCREW, 5/16-24 x 5/8"	2
27	73150-000-2	HEX HEAD CAP SCREW, 5/16-24 x 5-1/2"	1
29	70562-000-5	LOCK WASHER, 5/16 SPLIT RING	2
30	70532-000-5	SERRATED FLANGE NUT, 5/16-18	22
31	70732-005-L	HEX HEAD REVERSIBLE LOCK NUT, 1/4"-20	8
32	70772-000-5	BUTTON HEAD SOCKET CAP SCREW, 1/4-20 x 3/4"	8
33	71062-000-5	1/4" SAE FLATWASHER	8
34	70002-000-5	TRUSS HEAD SELF-TAPPING SCREW, #14 x 5/8	5
35	71752-000-5	HEX HEAD CAP SCREW, 5/16-18 x 3-1/4"	2
36	71022-000-5	LYNCH PIN	1
37	70320-000-5	ROLL PIN, 3/16 x 3/4"	4
38	70310-000-2	KEY, 3/16" SQUARE	1
39	70202-000-5	FLANGETTE, TRIANGULAR	2
40	70992-000-5	PUSH NUT, 5/8"	2
41	80007-043-5	DANGER DECAL	3

Illus. #	Order #	Description	Qty.
42	80007-044-5	CAUTION DECAL	1
44	80007-045-5	SERIAL NUMBER TAG (CALL FACTORY)	1
45	80007-083-2	1/2" SIZE LIMIT DECAL	1
46	11101-080-2	MOTOR SUPRT. BRACKET, IRON GRAY	1

*Convenient kits and accessories also available...*

99005-004-5	VACUUM KIT (see page 8)	1
30800-079-2A	ROTOR, ASSEMBLED w/ HAMMERS & KNIFE, compact frame	1
99309-003-5	Y-HAMMER KIT w/ shafts, hardware	1
99000-001-2	ELEC. CHIPPER KNIFE KIT w/ hardware	1

99001-039-5	DEFLECTOR KIT, IRON GRAY	1
99000-045-5	HOPPERS HARDWARE KIT	1
99000-000-5	HARDWARE KIT, complete unit	1
99004-000-5	WHEELS KIT w/ PUSH NUTS	1
70305-000-5	ALLEN WRENCH, 3/16"	1

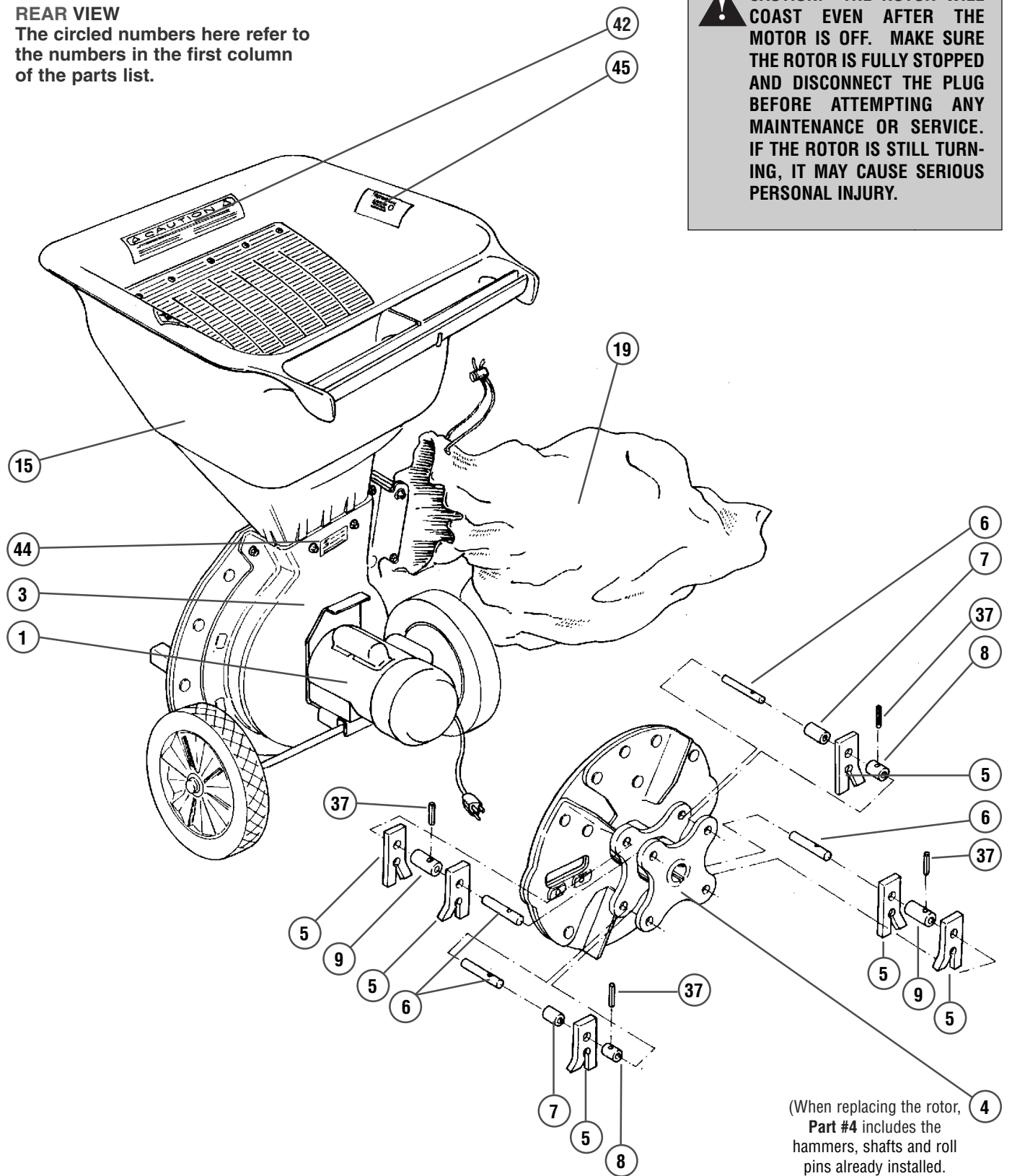
92000-000-5C	ASSEMBLY HARDWARE BAG, for assembly out of the box	1
70000-000-5	SAFETY GOGGLES	1
99007-000-5	WARNING/CAUTION DECALS KIT	1
80007-042-5	PATRIOT BRAND DECAL	1

80007-000-2	PATRIOT OPERATOR'S MANUAL, ELECTRIC MODELS	1
80007-059-5	PATRIOT WARRANTY CARD (CALL FACTORY)	1

**REAR VIEW**

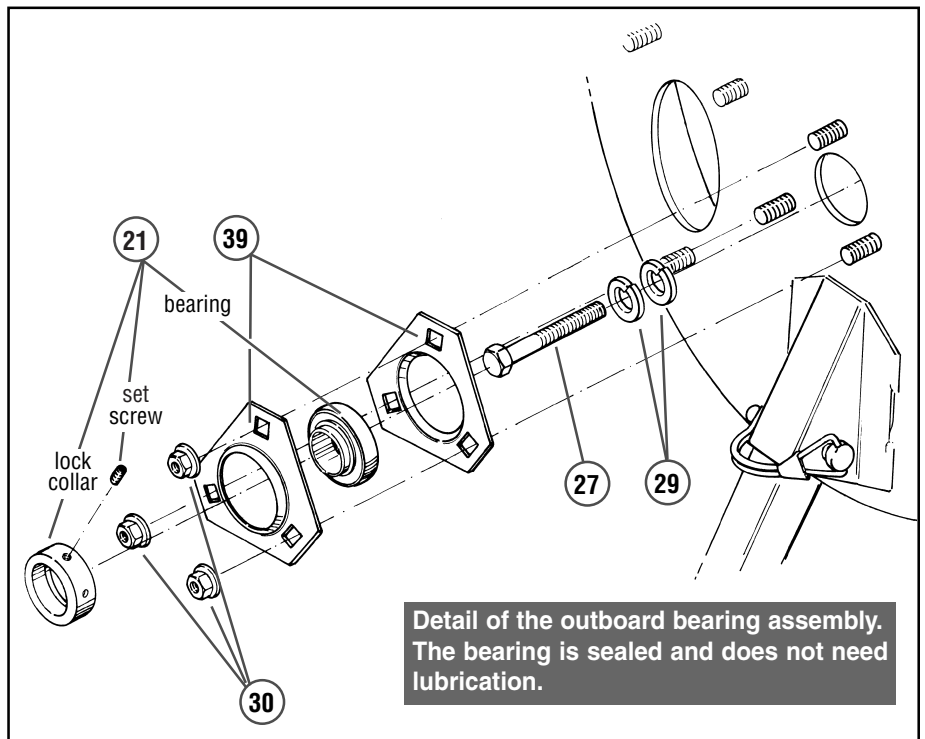
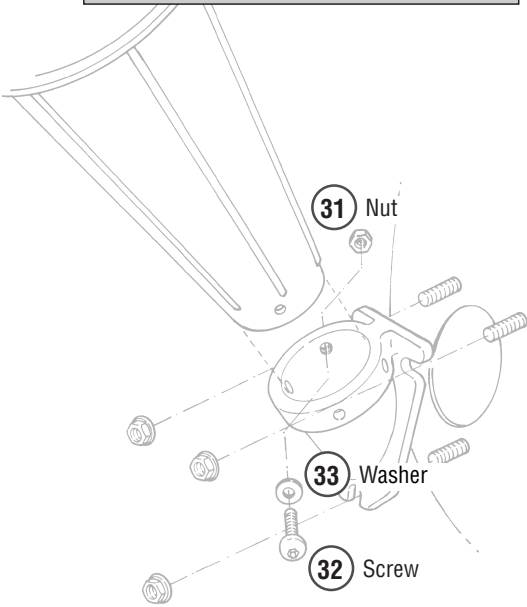
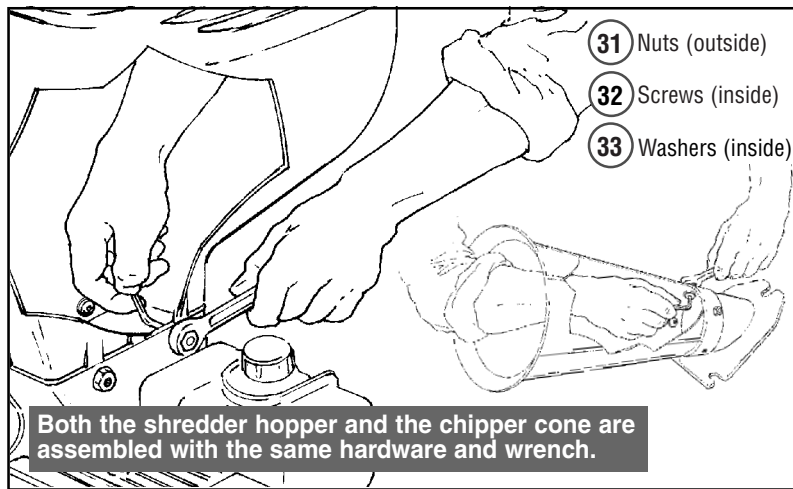
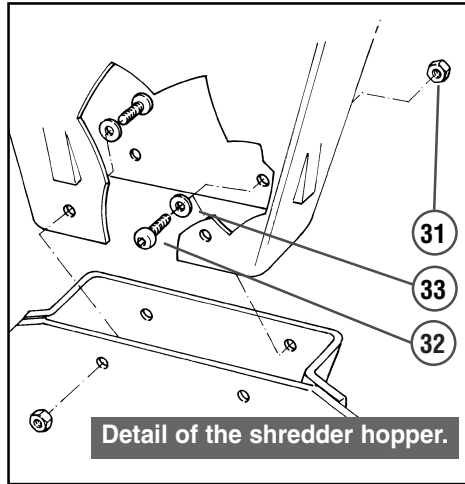
The circled numbers here refer to the numbers in the first column of the parts list.

**CAUTION:** THE ROTOR WILL COAST EVEN AFTER THE MOTOR IS OFF. MAKE SURE THE ROTOR IS FULLY STOPPED AND DISCONNECT THE PLUG BEFORE ATTEMPTING ANY MAINTENANCE OR SERVICE. IF THE ROTOR IS STILL TURNING, IT MAY CAUSE SERIOUS PERSONAL INJURY.



(When replacing the rotor, **Part #4** includes the hammers, shafts and roll pins already installed. It is packaged as the "Rotor Assembly.")

**CAUTION: THE ROTOR WILL COAST EVEN AFTER THE MOTOR IS OFF. MAKE SURE THE ROTOR STOPS TURNING, THEN DISCONNECT THE PLUG FROM THE MOTOR BEFORE ATTEMPTING ANY MAINTENANCE OR CLEAN-OUT PROCEDURE. IF THE ROTOR IS STILL TURNING, IT MAY CAUSE SERIOUS PERSONAL INJURY.**



## Free Manuals Download Website

<http://myh66.com>

<http://usermanuals.us>

<http://www.somanuals.com>

<http://www.4manuals.cc>

<http://www.manual-lib.com>

<http://www.404manual.com>

<http://www.luxmanual.com>

<http://aubethermostatmanual.com>

Golf course search by state

<http://golfingnear.com>

Email search by domain

<http://emailbydomain.com>

Auto manuals search

<http://auto.somanuals.com>

TV manuals search

<http://tv.somanuals.com>