

OWNER'S & OPERATOR'S MANUAL



PRO-SERIES
CSV'S WITH GAS ENGINES

PATRIOT
PRO-SERIES 10
CRIPPER-SHREDDER-VAC

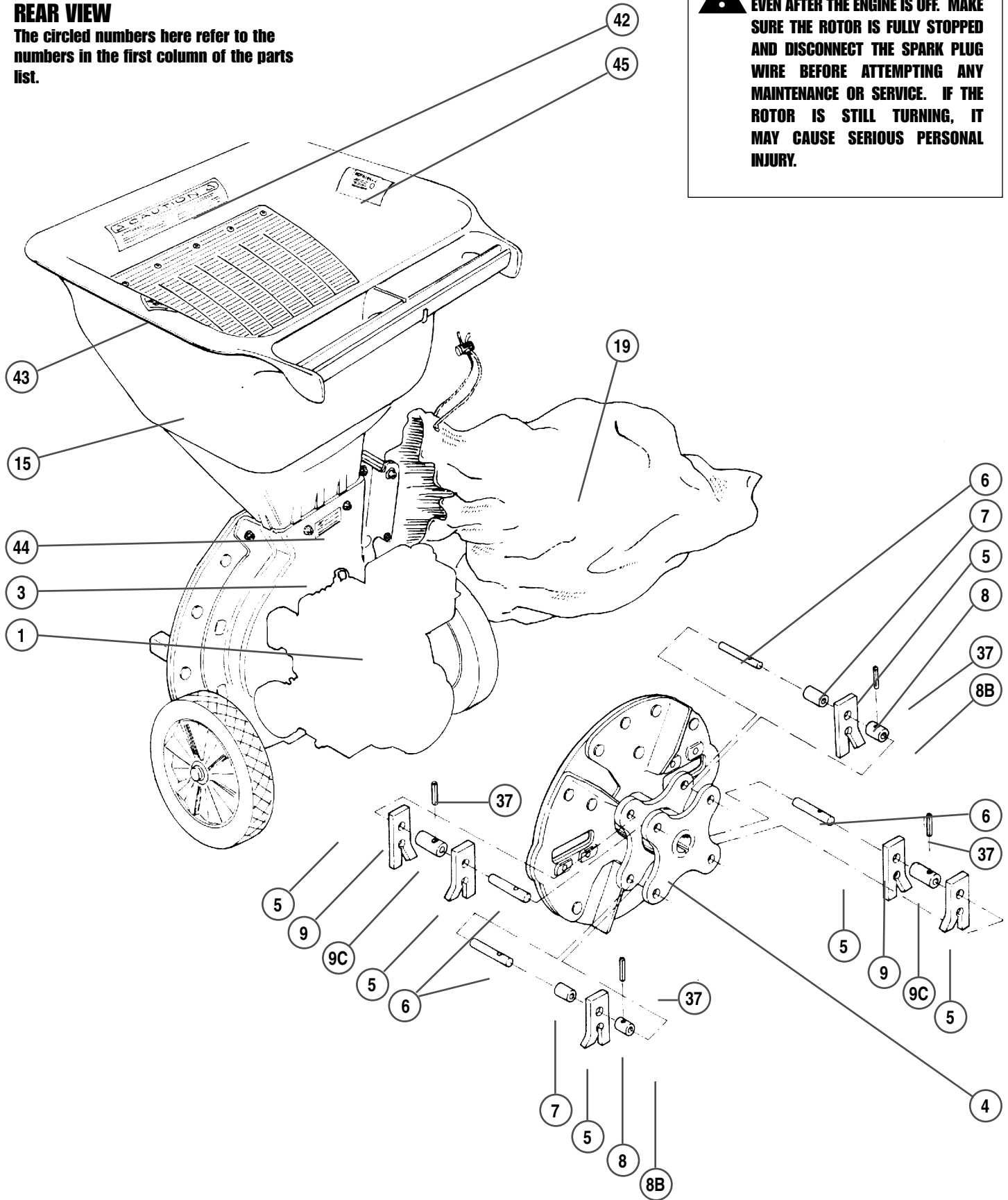
HEAVY DUTY ROTOR

PATRIOT

REAR VIEW

The circled numbers here refer to the numbers in the first column of the parts list.

CAUTION: THE ROTOR WILL COAST EVEN AFTER THE ENGINE IS OFF. MAKE SURE THE ROTOR IS FULLY STOPPED AND DISCONNECT THE SPARK PLUG WIRE BEFORE ATTEMPTING ANY MAINTENANCE OR SERVICE. IF THE ROTOR IS STILL TURNING, IT MAY CAUSE SERIOUS PERSONAL INJURY.

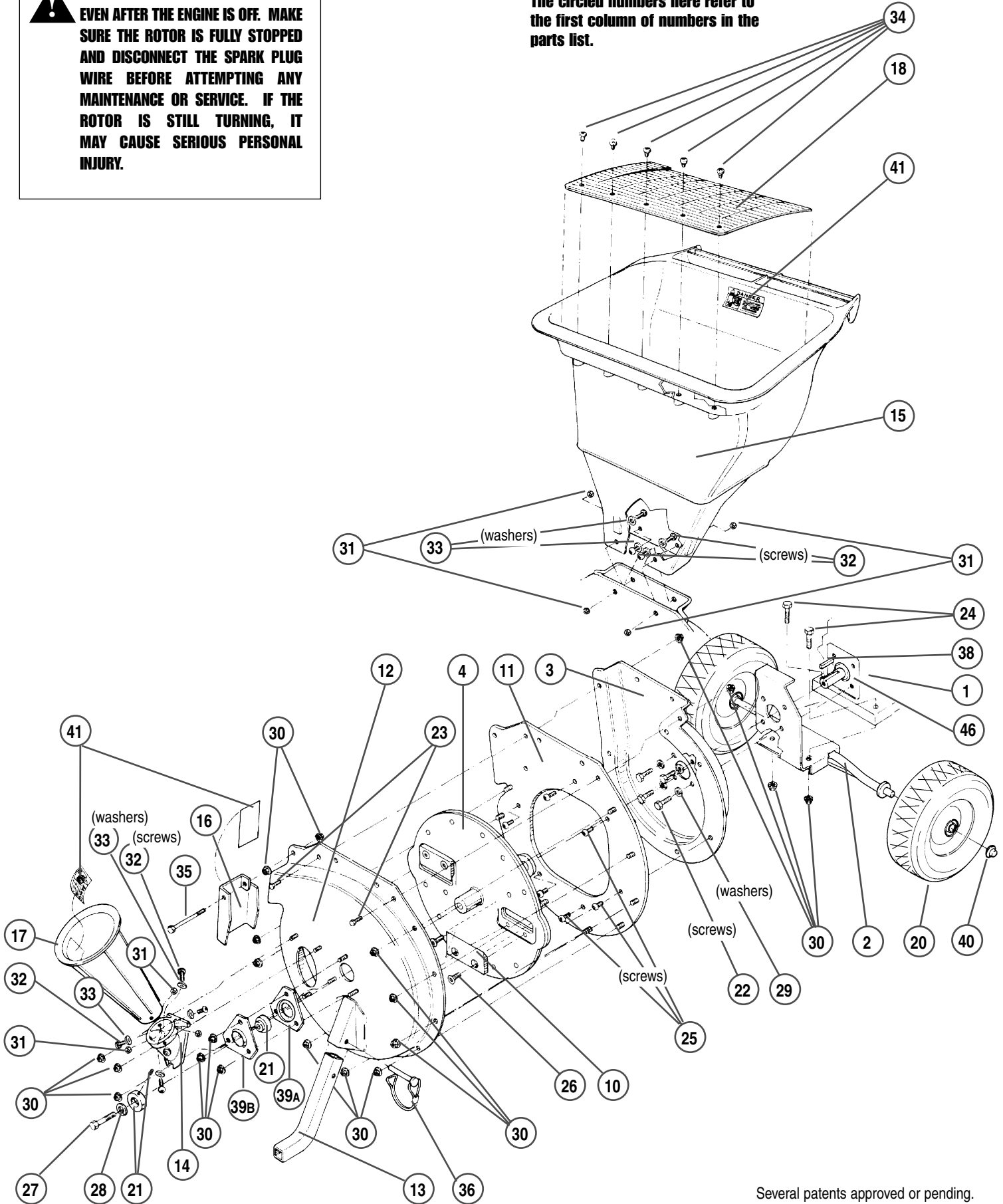




CAUTION: THE ROTOR WILL COAST EVEN AFTER THE ENGINE IS OFF. MAKE SURE THE ROTOR IS FULLY STOPPED AND DISCONNECT THE SPARK PLUG WIRE BEFORE ATTEMPTING ANY MAINTENANCE OR SERVICE. IF THE ROTOR IS STILL TURNING, IT MAY CAUSE SERIOUS PERSONAL INJURY.

FRONT VIEW

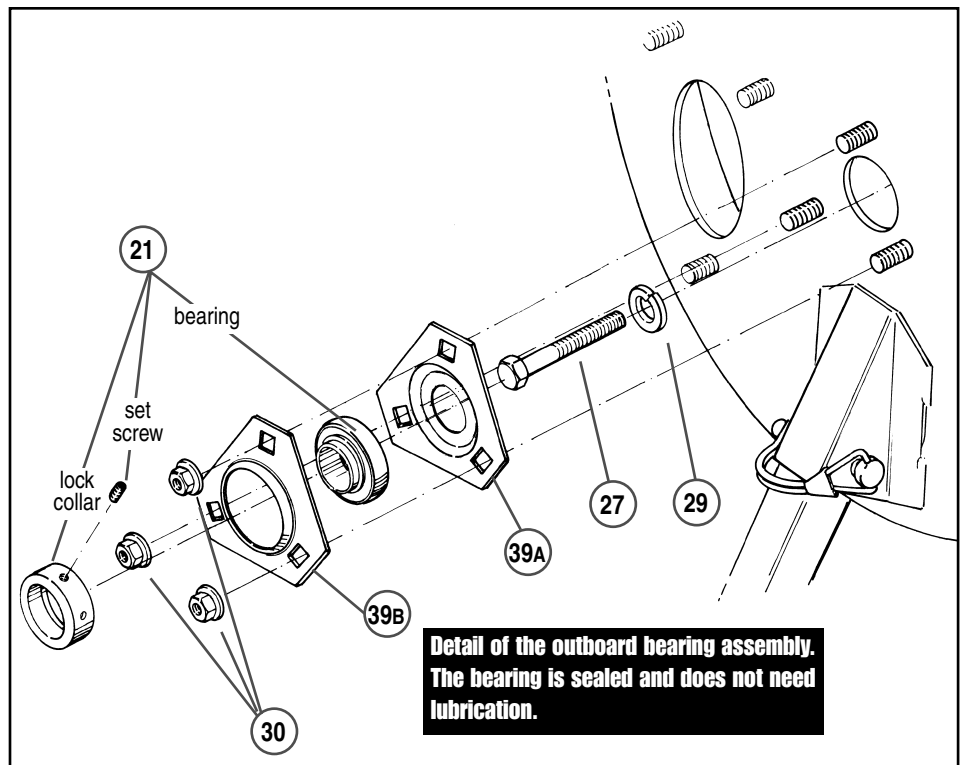
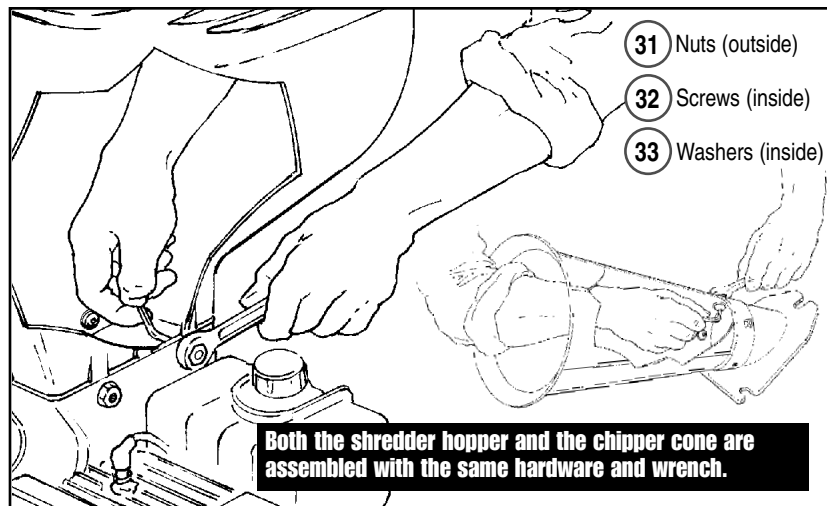
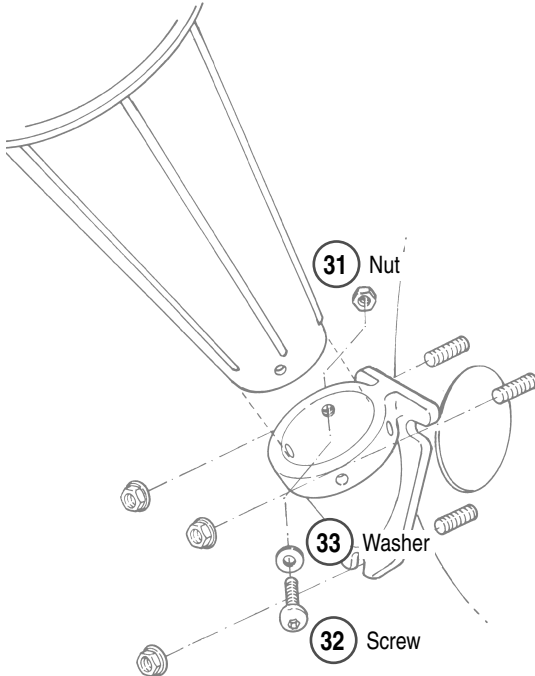
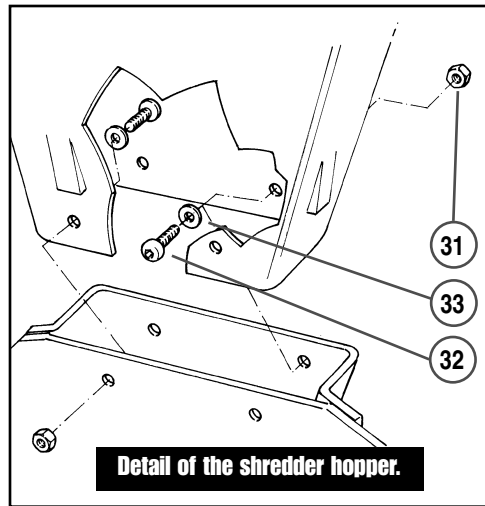
The circled numbers here refer to the first column of numbers in the parts list.



Several patents approved or pending.



CAUTION: THE ROTOR WILL COAST EVEN AFTER THE ENGINE IS OFF. MAKE SURE THE ROTOR STOPS TURNING, THEN DISCONNECT THE PLUG WIRE FROM THE ENGINE BEFORE ATTEMPTING ANY MAINTENANCE OR CLEAN-OUT. IF THE ROTOR IS STILL TURNING, IT MAY CAUSE SERIOUS PERSONAL INJURY.



Free Manuals Download Website

<http://myh66.com>

<http://usermanuals.us>

<http://www.somanuals.com>

<http://www.4manuals.cc>

<http://www.manual-lib.com>

<http://www.404manual.com>

<http://www.luxmanual.com>

<http://aubethermostatmanual.com>

Golf course search by state

<http://golfingnear.com>

Email search by domain

<http://emailbydomain.com>

Auto manuals search

<http://auto.somanuals.com>

TV manuals search

<http://tv.somanuals.com>