

NON PENETRATING ROOF MOUNTS

PTX-NP400

PTX-NP550

PTX-NP658

PATRIOT

LIMITED TWELVE (12) MONTH WARRANTY

This PATRIOT ANTENNA equipment is warranted to be free from defects in material and workmanship under normal use and service. PATRIOT ANTENNA shall repair or replace defective equipment, at no charge, or at its option, refund the purchase price, if the equipment is returned to PATRIOT ANTENNA not more than twelve (12) months after shipment. Removal or reinstallation of equipment and its transportation shall not be at cost of PATRIOT ANTENNA except PATRIOT ANTENNA shall return repaired or replaced equipment freight prepaid.

This Warranty shall not apply to equipment which has been repaired or altered in any way so as to affect its stability or durability, or which has been subject to misuse, negligence or accident. This Warranty does not cover equipment which has been impaired by severe weather conditions such as excessive wind, ice, storms, lightning, or other natural occurrences over which PATRIOT ANTENNA has no control, and this Warranty shall not apply to equipment which has been operated or installed other than in accordance with the instructions furnished by PATRIOT ANTENNA.

Claimants under this Warranty shall present their claims along with the defective equipment to PATRIOT ANTENNA immediately upon failure. Noncompliance with any part of this claim procedure may invalidate this warranty in whole or in part.

THIS WARRANTY IS EXPRESSLY IN LIEU OF ALL OTHER AGREEMENTS AND WARRANTIES, ANY IMPLIED WARRANTY OF MERCHANTABILITY OR FITNESS FOR A PARTICULAR PURPOSE IS LIMITED IN DURATION TO THE DURATION OF THIS WARRANTY. PATRIOT ANTENNA DOES NOT AUTHORIZE ANY PERSON TO ASSUME FOR IT THE OBLIGATIONS CONTAINED IN THIS WARRANTY AND PATRIOT ANTENNA NEITHER ASSUMES NOR AUTHORIZES ANY REPRESENTATIVE OR OTHER PERSON TO ASSUME FOR IT ANY OTHER LIABILITY IN CONNECTION WITH THE EQUIPMENT DELIVERED OR PROVIDED.

IN NO EVENT SHALL PATRIOT ANTENNA BE LIABLE FOR ANY LOSS OF PROFITS, LOSS OF USE, INTERRUPTION OF BUSINESS, OR INDIRECT, SPECIAL OR CONSEQUENTIAL DAMAGES OF ANY KIND.

In no event shall PATRIOT ANTENNA be liable for damages in an amount greater than the purchase price of the equipment.

Some states do not allow limitations on how long an implied warranty lasts, or allow the exclusion or limitation of incidental or consequential damages, so the above limitations or exclusions may not apply to you.

PATRIOT ANTENNA has the right to void the warranty when the antenna is installed by someone other than a certified installer.

Product Serial Number- _____

Date Purchased- _____

Patriot Antenna Systems

704 North Clark Street

Albion, MI 49224 USA

Tel: (517)629-5990

Fax: (517)629-6690

E-mail: info@sepatriot.com

PTX-NP400

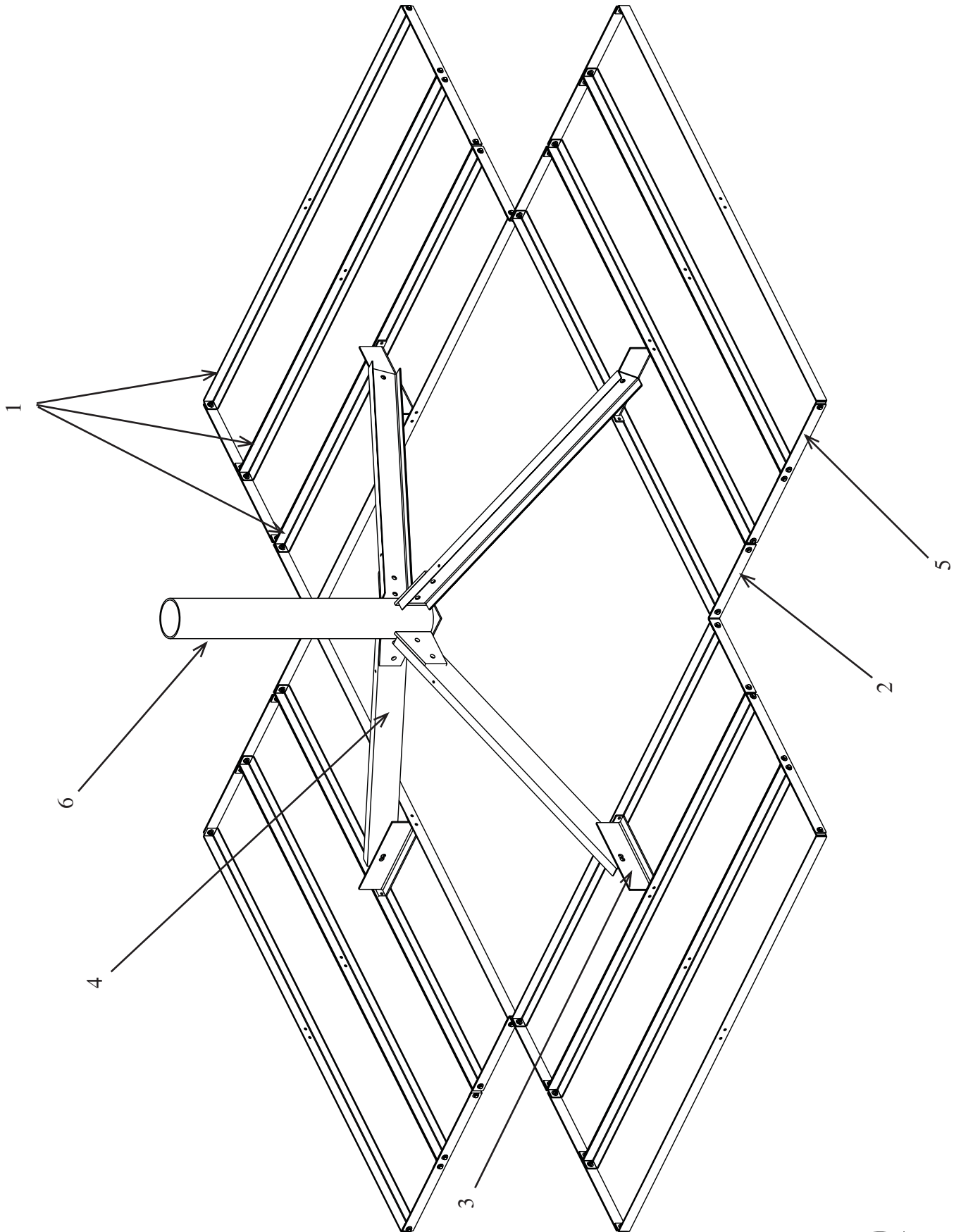
ITEM #	PART #	DESCRIPTION	REV	SINGLE TRAY QTY	DUAL TRAY QTY	TRIPLE TRAY QTY
1	295000	ASSY,NP TRAY ANGLE	0	8	16	24
2	295001	BRKT,NP CORNER TIE	0	4	4	4
3	295002	ASSY,NP FOOT	0	4	4	4
4	295003	CHANNEL,NP LEG	1	4	4	4
5	295005	BRKT,NP DUALCORNER TIE (UNBENT)	0	0	8	16
6	295006	ASSY,NP400 PIPE	0	1	1	1
7	3HPPTXNP400	PREBAG,PTXNP400 HARDWARE SINGLE	0	1	0	0
8	3HPPTXNP400DT	PREBAG,PTXNP HARDWARE DUAL	0	0	1	2

PTX-NP550

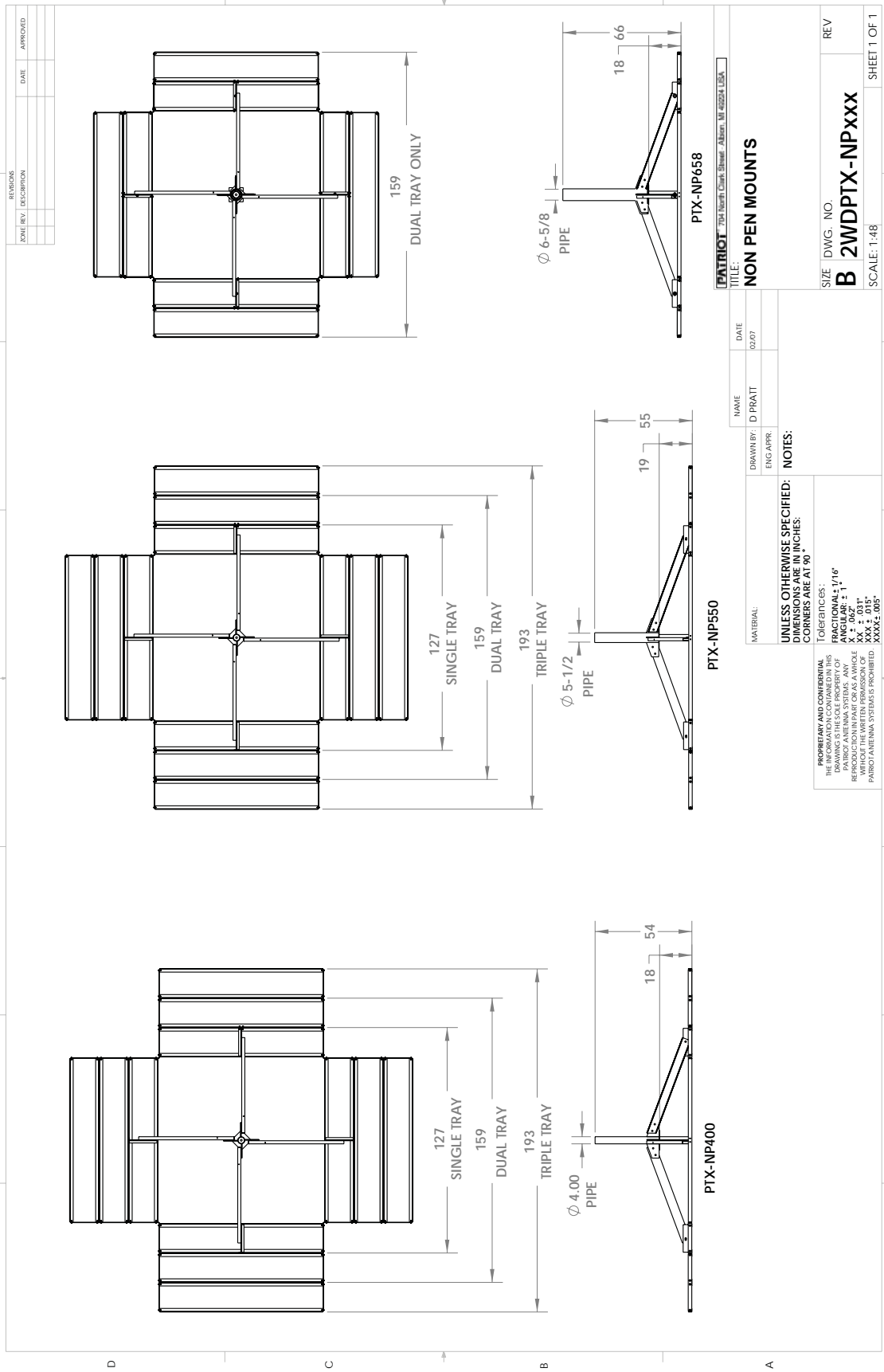
ITEM #	PART #	DESCRIPTION	REV	SINGLE TRAY QTY	DUAL TRAY QTY	TRIPLE TRAY QTY
1	295000	ASSY,NP TRAY ANGLE	0	8	16	24
2	295001	BRKT,NP CORNER TIE	0	4	4	4
3	295002	ASSY,NP FOOT	0	4	4	4
4	295003	CHANNEL,NP LEG	1	4	4	4
5	295005	BRKT,NP DUALCORNER TIE (UNBENT)	0	0	8	16
6	295004	ASSY,NP550 PIPE	0	1	1	1
7	3HPPTXNP400	PREBAG,PTXNP400 HARDWARE SINGLE	0	1	0	0
8	3HPPTXNP400DT	PREBAG,PTXNP HARDWARE DUAL	0	0	1	2

PTX-NP658

ITEM #	PART #	DESCRIPTION	REV		DUAL TRAY QTY	
1	295000	ASSY,NP TRAY ANGLE	0		16	
2	295001	BRKT,NP CORNER TIE	0		4	
3	295002	ASSY,NP FOOT	0		4	
4	295003	CHANNEL,NP LEG	1		4	
5	295005	BRKT,NP DUALCORNER TIE (UNBENT)	0		8	
6	295008	ASSY,NP658 PIPE	0		1	
7	3HPPTXNP400	PREBAG,PTXNP400 HARDWARE SINGLE	0		0	
8	3HPPTXNP400DT	PREBAG,PTXNP HARDWARE DUAL	0		1	



1 2 3 4 5 6 7 8



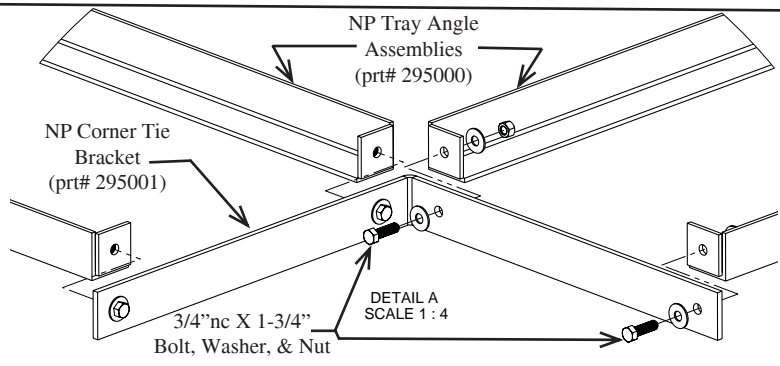
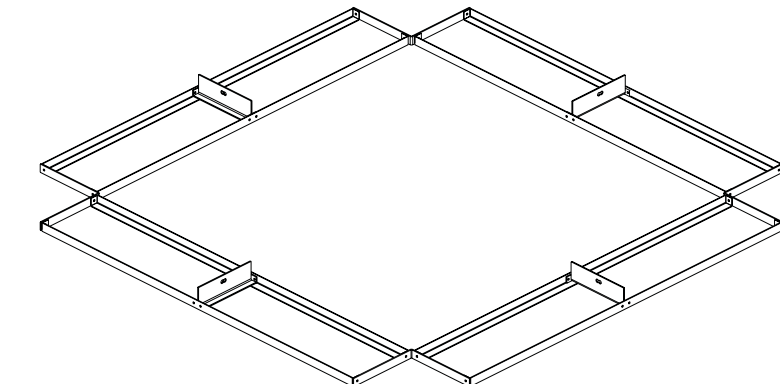
REV.	DESCRIPTION	DATE	APPROVED

PATRIOT™ 704 North Clark Street, Albany, NY 12204 USA.	
TITLE: NON PEN MOUNTS	
NAME: D PRATT	DATE: 02/07
DRAWN BY: D PRATT	ENG. APPR.:
MATERIAL:	
UNLESS OTHERWISE SPECIFIED:	
DIMENSIONS ARE IN INCHES:	
CORNERS ARE AT 90°	
TOLERANCES:	
FRACTIONAL ± 1/16"	
DECIMAL ± .015"	
HOLE DIA ± .002"	
REPRODUCTION IN PART OR AS A WHOLE	
WITHOUT THE WRITTEN PERMISSION OF	
XXXX ± .0031"	
PARIOS ANTENNA SYSTEMS IS PROHIBITED.	
XXXX ± .005"	
SIZE DWG. NO. B 2WDPTX-NPXXX	REV
SCALE: 1:48	SHEET 1 OF 1

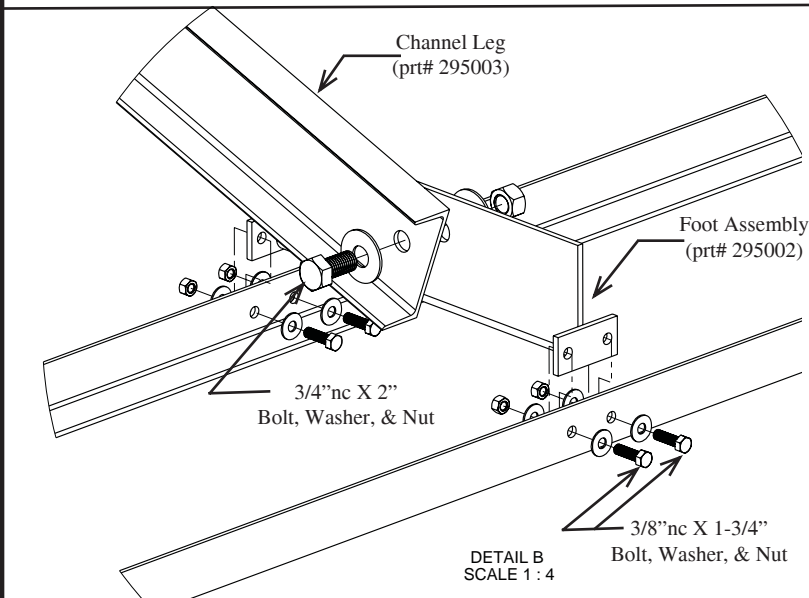
REPRODUCTION IN PART OR AS A WHOLE
 WITHOUT THE WRITTEN PERMISSION OF
 PARIOS ANTENNA SYSTEMS IS PROHIBITED.

SINGLE TRAY ASSEMBLY

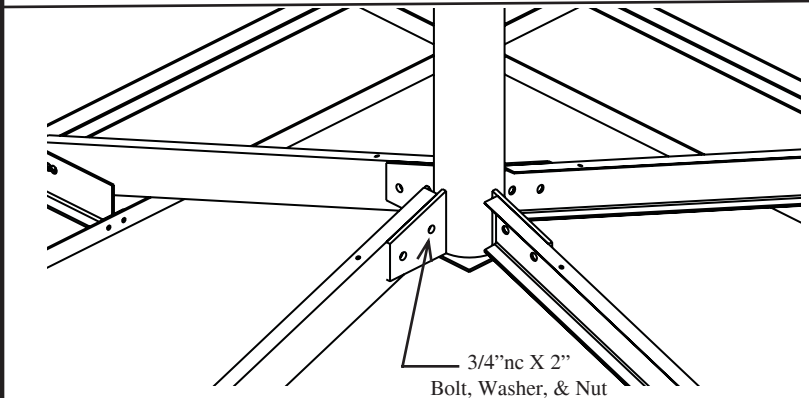
- 1) Lay out 8 NP TRAY ANGLE ASSEMBLIES (prt# 295000) 4 NP CORNER TIE BRACKETS (prt#295001) and 4 NP FOOT ASSEMBLIES (prt# 295002) as pictured to the left.



- 2) Attach the NP CORNER TIE BRACKET (prt# 295001) as pictured to the left. DO NOT tighten hardware at this time.

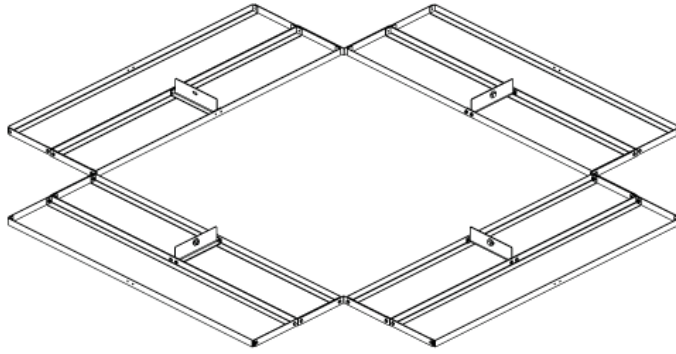


- 3) Attach the CHANNEL LEG (prt# 295003) to the NP FOOT ASSEMBLY (prt# 295002) then the NP FOOT ASSEMBLY to the NP TRAY ANGLE ASSEMBLIES (prt# 295000) as pictured. DO NOT tighten hardware at this time.

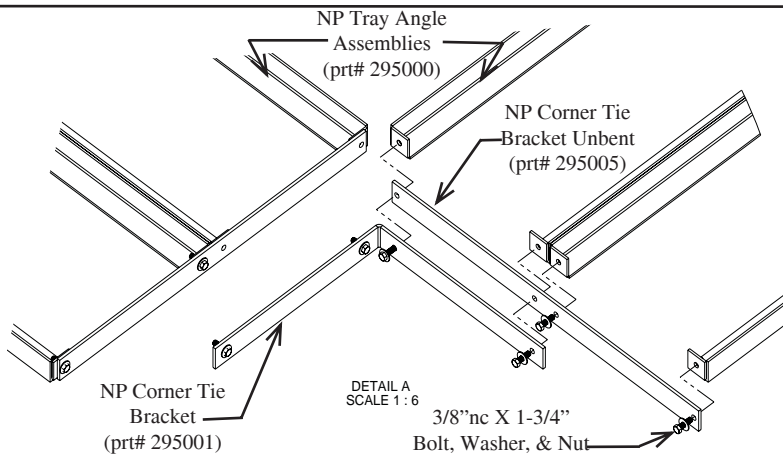


- 4) Attach the CHANNEL LEG (prt# 295003) to the PIPE ASSEMBLY as pictured. Tighten all hardware at this time.

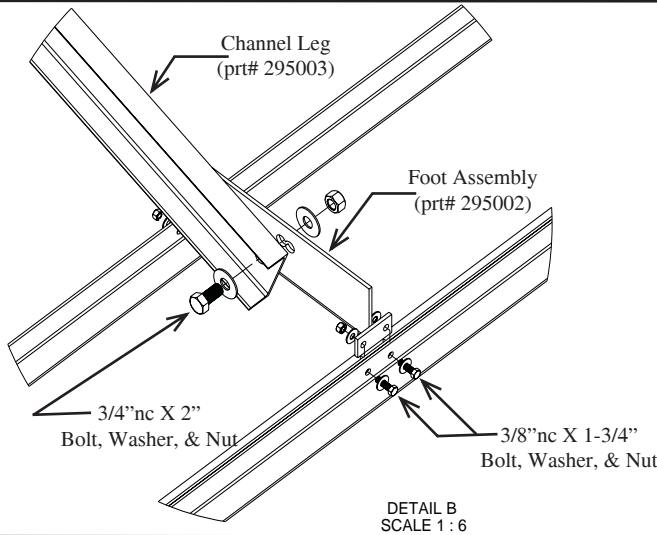
DUAL TRAY ASSEMBLY



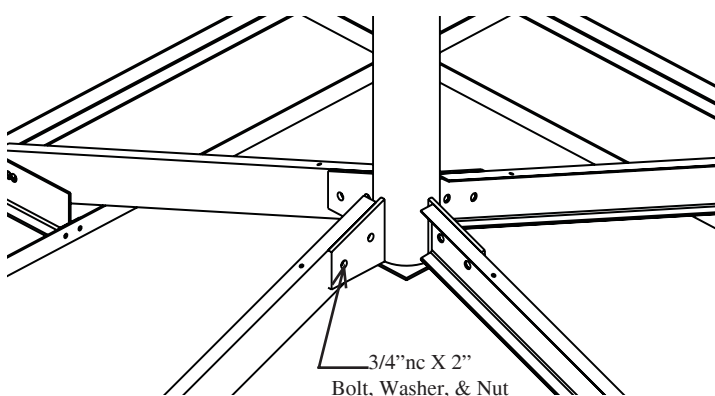
1) Lay out 16 NP TRAY ANGLE ASSEMBLIES (prt# 295000), 4 NP CORNER TIE BRACKETS (prt#295001), 4 NP FOOT ASSEMBLIES (prt# 295002) and 4 NP CORNER TIE BRACKET UNBENT (prt#295005) as pictured to the left.



2) Attach the NP CORNER TIE BRACKET (prt# 295001) and NP CORNER TIE BRACKET-UNBENT (prt#295005) to the ANGLE TRAY ANGLE ASSEMBLIES as pictured to the left. DO NOT tighten hardware at this time.

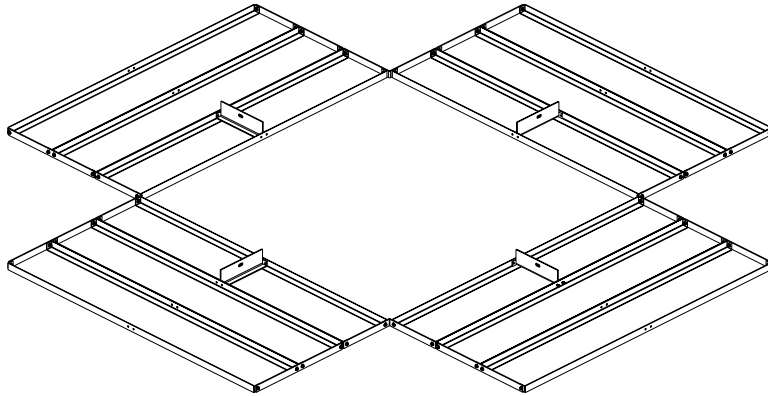


3) Attach the CHANNEL LEG (prt# 295003) to the NP FOOT ASSEMBLY (prt# 295002) then the NP FOOT ASSEMBLY to the NP TRAY ANGLE ASSEMBLIES (prt# 295000) as pictured. DO NOT tighten hardware at this time.

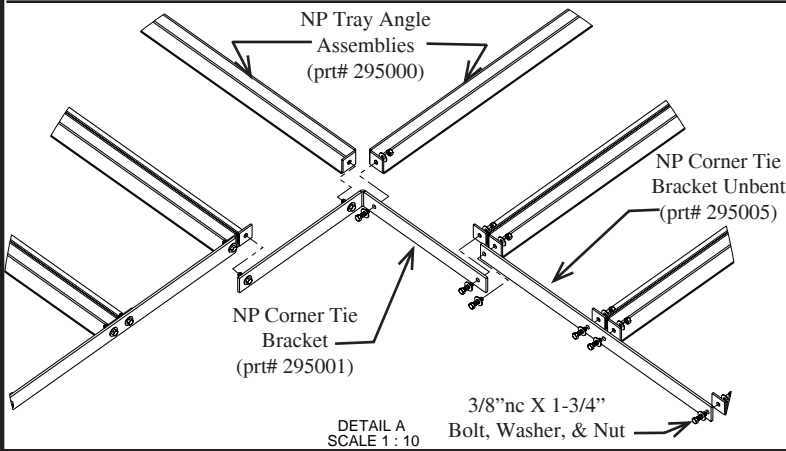


4) Attach the CHANNEL LEG (prt# 295003) to the PIPE ASSEMBLY as pictured. Tighten all hardware at this time.

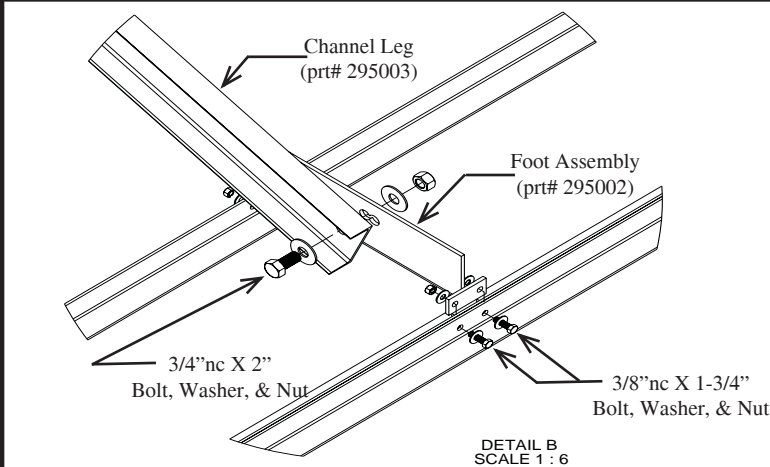
TRIPLE TRAY ASSEMBLY



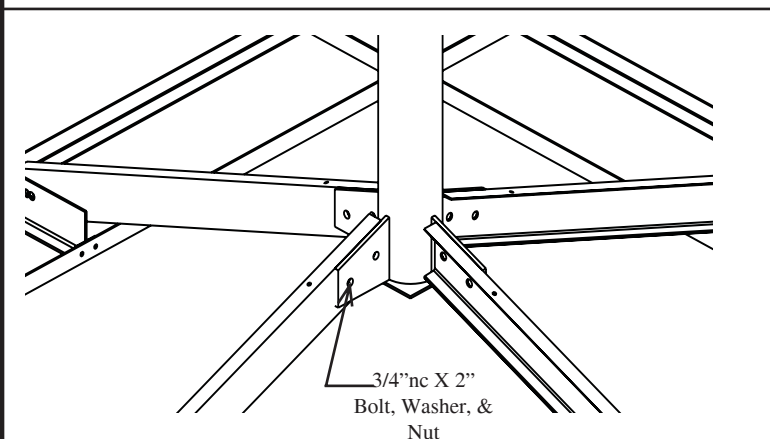
1) Lay out 24 NP TRAY ANGLE ASSEMBLIES (prt# 295000), 4 NP CORNER TIE BRACKETS (prt#295001), 4 NP FOOT ASSEMBLIES (prt# 295002) and 4 NP CORNER TIE BRACKET UNBENT (prt#295005) as pictured to the left.



2) Attach the NP CORNER TIE BRACKET (prt# 295001) and NP CORNER TIE BRACKET-UNBENT (prt#295005) to the ANGLE TRAY ANGLE ASSEMBLIES as pictured to the left. DO NOT tighten hardware at this time.



3) Attach the CHANNEL LEG (prt# 295003) to the NP FOOT ASSEMBLY (prt# 295002) then the NP FOOT ASSEMBLY to the NP TRAY ANGLE ASSEMBLIES (prt# 295000) as pictured. DO NOT tighten hardware at this time.



4) Attach the CHANNEL LEG (prt# 295003) to the PIPE ASSEMBLY as pictured. Tighten all hardware at this time.

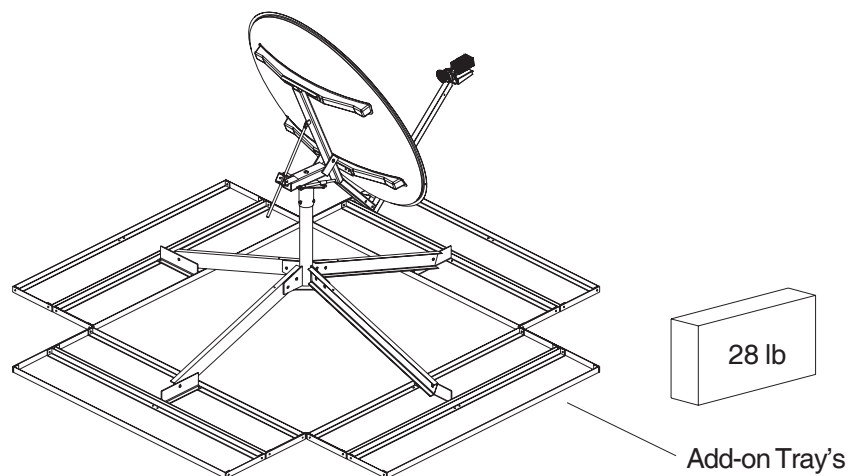
Ballast Requirement Charts

1. Determine the Wind Speed requirement for the installation, and the Elevation Angle of the antenna.
2. Look up the required ballast for the antenna size being used.
3. Load the Base Trays with the required ballast using 4 x 8 x 16in solid cement blocks.

1.8m Ballast Chart	Elevation (Degrees)	Ballast Required (lbs)at Specific Wind Speed (mph)		
		80 mph	100 mph	125 mph
	22°	634 lbs	1370 lbs	2520 lbs
	40°	494 lbs	1069 lbs	1966 lbs
	60°	285 lbs	617 lbs	1134 lbs

2.4M offset Ballast Chart	Elevation (Degrees)	Ballast Required (lbs)at Specific Wind Speed (mph)		
		80 mph	100 mph	125 mph
	22°	1240 lbs	2435 lbs	4303 lbs
	40°	967 lbs	1900 lbs	3356 lbs
	60°	558 lbs	1095 lbs	1936 lbs

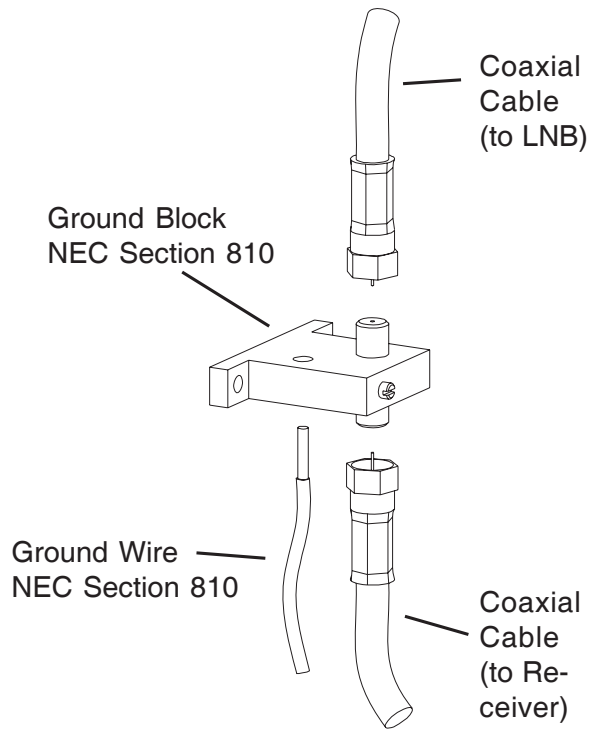
3.1m Ballast Chart	Elevation (Degrees)	Ballast Required (lbs)at Specific Wind Speed (mph)		
		80 mph	100 mph	125 mph
	0°	2507 lbs	4500 lbs	7613 lbs
	20°	1956 lbs	3510 lbs	5939 lbs
	40°	1128 lbs	2025 lbs	3426 lbs



Grounding

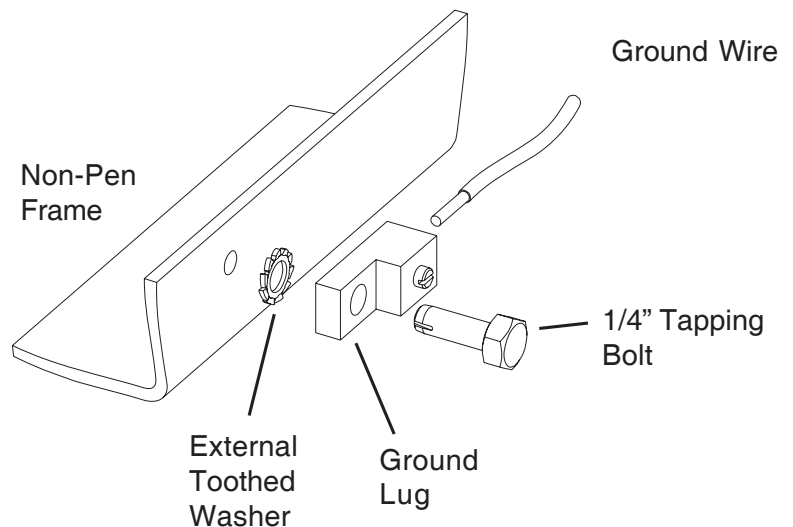
Grounding Antenna Feed Cables

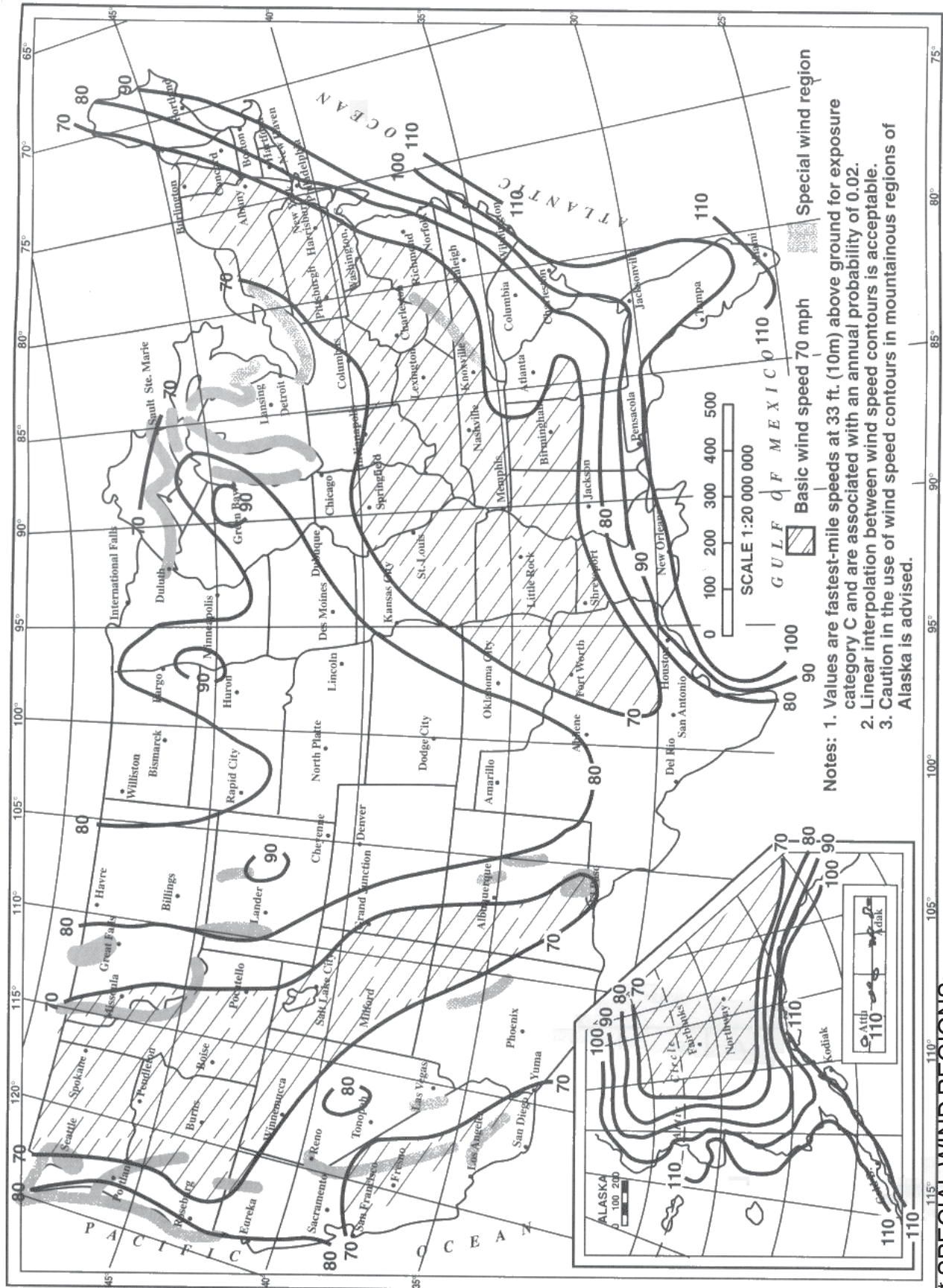
1. Ground antenna feed cables in accordance with current National Electric code and local electric codes. The illustration shows a typical grounding method. Clamps that provide a solid connection between ground wire and a ground source should be used.



Grounding Non-Penetrating Mount Frame

1. Ground the Non-Penetrating mount frame. The illustration shows a typical grounding method. Refer to the NEC Section 810 and local electric codes for specific instructions on grounding the remaining end of the ground wire.



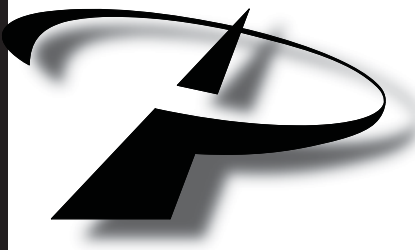
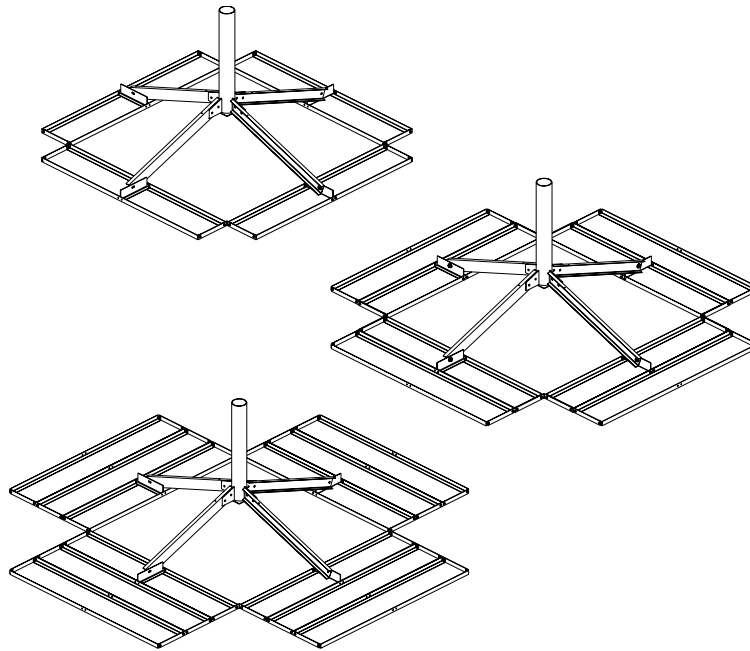


Specifications

Antenna Size

1.8m through 3.1m

Pole Size	4" & 5-1/2" OD
Materials	Powder Coated Steel
Mount weight (single tray)	375 lbs
Mount weight (double tray)	575lbs
Mount weight (triple tray)	775lbs
Ballast Load (single tray)	2700 lbs
Ballast Load (double tray)	5500 lbs
Ballast Load (triple tray)	7500 lbs



*PATRIOT ANTENNA SYSTEMS
704 NORTH CLARK STREET
ALBION, MICHIGAN 49224 USA
WWW.SEPATRIOT.COM*

2M95090 REV002

Free Manuals Download Website

<http://myh66.com>

<http://usermanuals.us>

<http://www.somanuals.com>

<http://www.4manuals.cc>

<http://www.manual-lib.com>

<http://www.404manual.com>

<http://www.luxmanual.com>

<http://aubethermostatmanual.com>

Golf course search by state

<http://golfingnear.com>

Email search by domain

<http://emailbydomain.com>

Auto manuals search

<http://auto.somanuals.com>

TV manuals search

<http://tv.somanuals.com>