

# USER MANUAL

---

## MODEL 1015 and 1015S DB-15 Async Short Range Modem



**PE PATTON**  
**Electronics Co.**

---

Part# 07M1015-B  
Doc# 024011UB  
Revised 5/24/94

SALES OFFICE  
(301) 975-1000  
TECHNICAL SUPPORT  
(301) 975-1007  
<http://www.patton.com>

## 1.0 WARRANTY INFORMATION

**Patton Electronics** warrants all Model 1015 components to be free from defects, and will—at our option—repair or replace the product should it fail within one year from the first date of shipment.

This warranty is limited to defects in workmanship or materials, and does not cover customer damage, abuse or unauthorized modification. If this product fails or does not perform as warranted, your sole recourse shall be repair or replacement as described above. Under no condition shall **Patton Electronics** be liable for any damages incurred by the use of this product. These damages include, but are not limited to, the following: lost profits, lost savings and incidental or consequential damages arising from the use of or inability to use this product.

**Patton Electronics** specifically disclaims all other warranties, expressed or implied, and the installation or use of this product shall be deemed an acceptance of these terms by the user.

### 1.1 RADIO AND TV INTERFERENCE

The Model 1015 generates and uses radio frequency energy, and if not installed and used properly—that is, in strict accordance with the manufacturer's instructions—may cause interference to radio and television reception. The Model 1015 has been tested and found to comply with the limits for a Class A computing device in accordance with the specifications in Subpart J of Part 15 of FCC rules, which are designed to provide reasonable protection from such interference in a commercial installation. However, there is no guarantee that interference will not occur in a particular installation. If the Model 1015 does cause interference to radio or television reception, which can be determined by turning the power off or disconnecting the modem, the user is encouraged to try to correct the interference by one or more of the following measures: moving the computing equipment away from the receiver, re-orienting the receiving antenna and/or plugging the receiving equipment into a different AC outlet (such that the computing equipment and receiver are on different branches).

### 1.2 SERVICE

All warranty and non-warranty repairs must be returned freight prepaid and insured to Patton Electronics. All returns must have a Return Materials Authorization number on the outside of the shipping container. This number may be obtained from Patton Electronics Technical Service at **(301) 975-1007**. *Packages received without an RMA number will not be accepted.*

Patton Electronics' technical staff is also available to answer any questions that might arise concerning the installation or use of your Model 1015. Technical Service hours: **8AM to 5PM EST, Monday through Friday.**

## 2.0 GENERAL INFORMATION

Thank you for your purchase of this Patton Electronics product. This product has been thoroughly inspected and tested and is warranted for One Year parts and labor. If any questions or problems arise during installation or use of this product, please do not hesitate to contact Patton Electronics Technical Support at (301) 975-1007.

### 2.1 FEATURES

- Direct connection to Unisys 5000/NCR Tower Series processors
- Very thin case for closely spaced computer ports
- Available with RJ-11, RJ-45 or terminal block with strain relief
- External DCE/DTE switch
- Range to 17 miles
- Data rates to 19,200 bps
- No AC power or batteries required
- Surge protection (Model 1015S)
- Made in the USA

### 2.2 DESCRIPTION

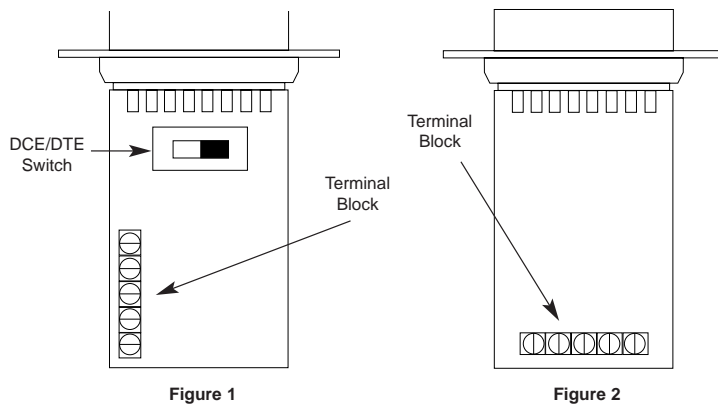
**The Patton Model 1015** Miniature Short Range Modem provides direct connection to DB-15 equipped RS-232 devices, such as the Unisys (Sperry) 5000 and the NCR Tower series. Using the latest in surface mount technology, the Model 1015 combines high quality performance and a miniature package. The Model 1015 requires no AC power or batteries, supports distances to 17 miles and operates at data rates to 19.2 Kbps. The Model 1015 is compatible with the Model 1000, 1005, 1006, 1009 and other Patton short range modems.

Measuring only 2.6" x 1.3" x .75", the Model 1015 is housed in a pop-open ABS plastic case. It is equipped with a male or female DB-15 connector and a choice of interfaces (RJ-11 jack, RJ-45 jack or terminal blocks with strain relief). In some models, an externally accessible DCE/DTE switch allows easy connection to multiplexers and other devices. The surge protected Model 1015S incorporates Silicon Avalanche Diodes, which provide 600 watts peak per wire of protection against harmful transient surges.

### 3.0 CONFIGURATION

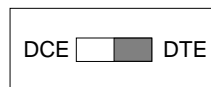
The Model 1015 is designed to be easy to use. There are no internal jumpers or configuration switches to set, so there is no need to open the case to configure the unit (you may need to open the case for wire connection—refer to section 4.0). However, in some models, you may have to set the external DCE/DTE switch.

The figure below shows both versions of the Model 1015. If your model looks like Figure 1, follow the instructions in Section 3.1. If your Model 1015 looks like Figure 2, your unit will always operate in DCE mode. Follow the instructions in Section 4.0.



#### 3.1 SETTING THE DCE/DTE SWITCH

If your Model 1015 looks like Figure 1, it comes equipped with an external DCE/DTE switch and requires special attention. If the device connected to the Model 1015 is a modem or multiplexer (or is wired like one), move the switch to "DTE". This causes the Model 1015 to behave like Data Terminal Equipment and transmit data on pin 1.



If the device connected to the Model 1015 is a PC, terminal or host computer (or is wired like one), move the switch to "DCE". This setting causes the Model 1015 to behave like Data Communications Equipment and transmit data on pin 9.

### 4.0 INSTALLATION

Once you have properly configured the DCE/DTE switch, you are ready to connect the Model 1015 to your system. This section tells you how to properly connect the Model 1015 to the twisted pair and RS-232 interfaces, and how to operate the Model 1015.

#### 4.1 CONNECTION TO THE TWISTED PAIR INTERFACE

The Model 1015 supports data-only communication between two RS-232 devices at distances to 17 miles and data rates to 19.2 Kbps. There are two essential requirements for installing the Model 1015:

1. These units work in pairs. Therefore, you must have one Model 1015 at each end of a two twisted pair interface.
2. To function properly, the Model 1015 needs two twisted pairs of metallic wire. The pairs must be unconditioned, dry metallic wire, between 19 and 26 AWG (the higher number gauges may limit distance). Standard dial-up telephone circuits, or leased circuits that run through signal equalization equipment are not acceptable.

For your convenience, the Model 1015 is available with three different twisted pair interfaces: RJ-11 jack, RJ-45 jack and terminal blocks with strain relief.

##### 4.1.1 TWISTED PAIR CONNECTION USING RJ-11 OR RJ-45

The RJ-11 and RJ-45 connectors on the Model 1015's twisted pair interface are pre-wired for a standard TELCO wiring environment (see Figure 3). The table on the following page shows the signal/pin relationships:

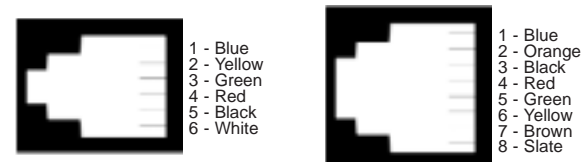


Figure 3. AT&T standard modular color codes

<b>RJ-11</b>	<b>SIGNAL</b>	<b>RJ-45</b>	<b>SIGNAL</b>
1-----	GND <sup>†</sup>	1-----	N/C
2-----	RCV-	2-----	GND <sup>†</sup>
3-----	XMT+	3-----	RCV-
4-----	XMT-	4-----	XMT+
5-----	RCV+	5-----	XMT-
6-----	GND <sup>†</sup>	6-----	RCV+
		7-----	GND <sup>†</sup>
		8-----	N/C

When connecting two Model 1015s, it is necessary to use a "cross-over" cable. The diagram below shows how a crossover cable should be constructed for an environment where both Model 1015s use a 4-wire RJ-11 connector. Similar logic should be followed when using RJ-45 connectors or a combination of the two.

<b>SIGNAL</b>	<b>PIN#</b>	<b>COLOR<sup>‡</sup></b>	<b>COLOR</b>	<b>PIN#</b>	<b>SIGNAL</b>
GND <sup>†</sup>	1	Blue -----	White	6	GND <sup>†</sup>
RCV-	2	Yellow -----	Red	4	XMT-
XMT+	3	Green -----	Black	5	RCV+
XMT-	4	Red -----	Yellow	2	RCV-
RCV+	5	Black -----	Green	3	XMT+
GND <sup>†</sup>	6	White -----	Blue	1	GND <sup>†</sup>

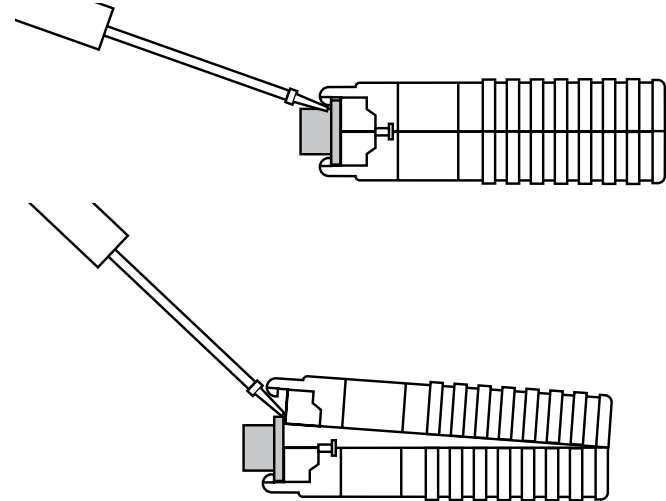
<sup>†</sup>Connection to ground is optional

<sup>‡</sup>Standard color codes—yours may be different

#### 4.1.2 TWISTED PAIR CONNECTION USING TERMINAL BLOCKS

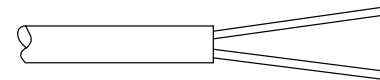
If your RS-232 application requires you to connect two pairs of bare wires to the Model 1015, you will need to open the case to access the terminal blocks. The following instructions will tell you how to open the case, connect the bare wires to the terminal blocks, and fasten the strain relief collar in place so that the wires won't pull loose.

1. Open the unit by gently inserting a screwdriver between the DB-15 connector and the lip of the plastic case (see below). You don't have to worry about breaking the plastic, but be careful not to bend the D-sub connector.

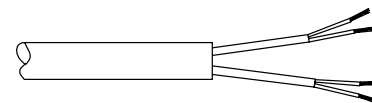


Once the unit has been opened, you will be able to see the terminal blocks located at the rear of the PC board.

2. Strip the outer insulation from the twisted pairs about one inch from the end.



3. Strip the insulation on each of the twisted pair wires about .25".



4. Connect *one pair* of wires to XMT+ and XMT- (transmit positive and negative) on the terminal block, making careful note of which color is positive, and which color is negative.

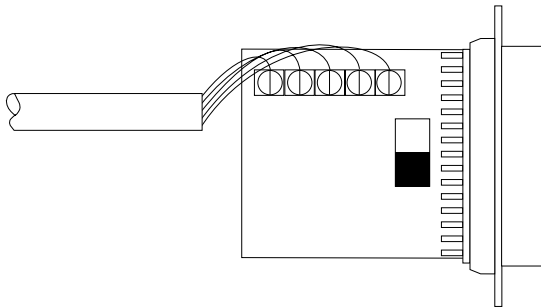
5. Connect the *other pair* of wires to RCV+ and RCV- (receive positive and negative) on the terminal block, again making careful note of which color is positive and which color is negative.

Ultimately, you will want to construct a two pair crossover cable that makes a connection with the RS-232 device as shown below:

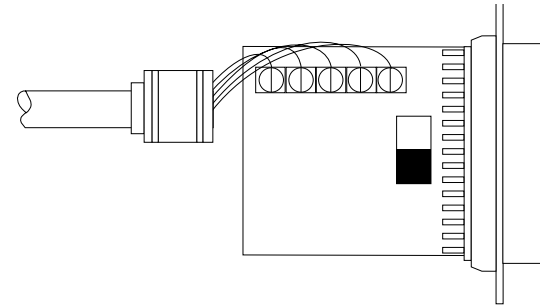
XMT +	-----	RCV+	} One Pair
XMT -	-----	RCV -	
G	----- To Shield (Optional)	G	
RCV -	-----	XMT -	} One Pair
RCV +	-----	XMT +	

6. If there is a shield around the telephone cable, it may be connected to "G" on the terminal block. To avoid ground loops, we recommend connecting the shield at the computer end only. A ground wire is *not necessary* for proper operation of the Model 1015.

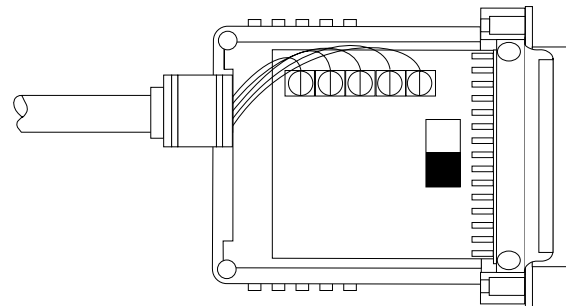
7. When you finish connecting the wires to the terminal block, the assembly should resemble the diagram below:



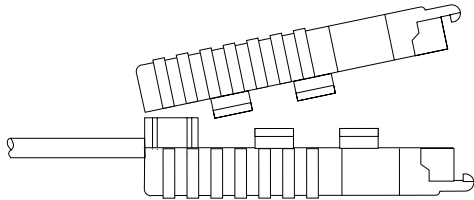
8. Place the 2 halves of the strain relief assembly on either side of the telephone wire and press together very lightly. Slide the assembly so that it is about 2 inches from the terminal posts and press together firmly. If your cable diameter is too small or too large for our strain relief, please contact our technical support. We have strain relief assemblies to accommodate most cable diameters.



9. Insert the strain relief assembly with the wire going through it into the slot in the bottom half of the modem case and set it into the recess in the case.



10. TIP the top half of the case as necessary to place it over the strain relief assembly. Do not snap the case together yet.



11. Insert one captive screw through a saddle washer and then insert the entire piece through the hole in the DB-15 end of the case. Snap that side of the case closed. Repeat the process for the other side. This completes cable installation.

#### 4.2 CONNECTION TO THE RS-232 INTERFACE

Once you have configured the Model 1015 for DTE or DCE and connected the twisted pair wires correctly, simply plug the 1015 directly into the DB-15 port of the RS-232 device. After doing so, remember to insert and tighten the two captive connector screws.

Note: If you must use a cable to connect the Model 1015 to the RS-232, make sure it is a *straight through* cable of the shortest possible length—we recommend 6 feet or less. The Model 1015 requires a cable that incorporates pins 1, 2, 3, 4, 9, 10, 11 and 12.

#### 4.3 OPERATING THE MODEL 1015

Once the Model 1015 is properly installed, it should operate transparently—as if it were a standard cable connection. Operating power is derived from the RS-232 data and control signals; there is no “ON/OFF” switch. All data signals from the RS-232 interface are passed straight through. All control signals from the RS-232 interface are looped back.

Note: If your system requires *hardware* flow control, you will need the Patton Model 1012 or Model 1060 Short Range Modem. Call Patton Customer Service at (301) 975-1007 for more information.

## APPENDIX A

### PATTON MOCEL 1015 SPECIFICATIONS

<b>Transmission Format:</b>	Asynchronous
<b>Data Rate:</b>	0 to 19,200 bps (no strapping)
<b>Surge Protection:</b>	600W peak power dissipation at 1 mS (10 x 1000 $\mu$ s exponential waveform) and response time of 1.0 pS
<b>Control Signal:</b>	CTS (Pin 10) turns ON immediately after the terminal raises RTS (Pin 2); DSR (Pin 3) turns on when powered up; DCD (Pin 12) turns on immediately after the terminal raises DTR (Pin 4)
<b>Transmit Line:</b>	4 wire, unconditioned line (2 twisted pairs)
<b>Transmit Mode:</b>	Full duplex, 4-wire
<b>Transmit Level:</b>	0 dBm
<b>Line Connection:</b>	RJ-11 or RJ-45 jack or 5 screw terminal posts (4 wires and 1 ground) and a strain relief insert
<b>Power Supply:</b>	No external power required, uses ultra low power from EIA data and control signals
<b>Size:</b>	2.6" x 1.3" x 0.75"



## Free Manuals Download Website

<http://myh66.com>

<http://usermanuals.us>

<http://www.somanuals.com>

<http://www.4manuals.cc>

<http://www.manual-lib.com>

<http://www.404manual.com>

<http://www.luxmanual.com>

<http://aubethermostatmanual.com>

Golf course search by state

<http://golfingnear.com>

Email search by domain

<http://emailbydomain.com>

Auto manuals search

<http://auto.somanuals.com>

TV manuals search

<http://tv.somanuals.com>