

USER MANUAL

MODEL 1082 and 1082/144 iDSL Modem with V.34 or X.21 Interface



PATTON
Electronics Co.



An ISO-9001
Certified
Company

Part# 07M1082/C-B
Doc# 033151UB
Revised 2/19/03

SALES OFFICE
(301) 975-1000
TECHNICAL SUPPORT
(301) 975-1007

TABLE OF CONTENTS

1.0	Warranty Information	4
1.1	FCC Information	4
1.2	CE Notice.....	4
1.3	Service.....	5
2.0	General Information.....	6
2.1	Features.....	6
2.2	Description.....	6
2.3	1082 SNMP Management Solutions.....	7
	HTTP/HTML Management	7
3.0	Configuration	8
3.1	Configuring the Hardware DIP Switches	8
	Configuring DIP Switch S1	9
	Switches S1-1 and S1-2: Data Rate.....	10
	Switch S1-3: Data Set Ready during Line Loopback Test.....	10
	Switch S1-4: Must be set to the ON position (Reserved).....	11
	Switch S1-5: Asynchronous/Sync Operation.....	11
	Switches S1-6 and S1-7: System Clock Mode	11
	Switch S1-8: Response to RDL Request.....	11
	Configuring DIP switch S2.....	12
	Switches S2-1: 19.2 kbps or 144 kbps Synchronous Rate Enable.....	13
	Switch S2-2: Front Panel Switch Disable	13
	Switches S2-3: Response to Local Line Loop Requests from DTE	13
	Switches S2-4 and S2-5: Not Assigned.....	13
	Switch S2-6: Response to RDL Request from DTE	14
	Switch S2-7: Compatability Mode.....	14
	Switch S2-8: Not Assigned	14
4.0	Installation	15
4.1	Connecting the Twisted Pair Interface	15
4.2	Connecting the Model 1082 (V.35) Serial Interface.....	16
	Connecting the Model 1082 (V.35) to a DTE Device.....	16
	Connecting the Model 1082 (V.35) to a DCE Device	16
4.3	Connecting the Model 1082 (X.21) Serial Interface	17
	Connecting the Model 1082 (X.21) to a "DCE" or "DTE" Device.....	17
	Opening the Case.....	18
4.4	Connecting Power	19
	Universal AC Power (100–240VAC).....	19
	DC Power	20
5.0	Operation.....	21
5.1	Power-up	21
5.2	LED Status Monitors.....	21
5.3	Test Modes	22

Local Line Loopback (LLB).....	22
Remote Digital Loopback (RDL).....	23
Using the V.52 (BER) test pattern generator.....	24
A Model 1082 Specifications	25
A.1 Transmission Format	25
A.2 Transmission Line	25
A.3 Clocking	25
A.4 Distance	25
A.5 Data Rates	25
A.6 Diagnostics	25
A.7 LED Status Indicators	25
A.8 Connectors	26
A.9 Power	26
A.10 Temperature Range	26
A.11 Altitude	26
A.12 Humidity	26
A.13 Dimensions	26
A.14 Weight	26
A.15 Line Interface	26
B Model 1082C and 1082D Factory Replacement Parts and Accessories.....	27
C Model 1082C and 1082D Interface Pin Assignments.....	28
D Model 1082C and 1082D Interface Pin Assignments.....	29
E Model 1082C and 1082D Interface Pin Assignment.....	30

1.0 WARRANTY INFORMATION

Patton Electronics warrants all Model 1082 and Model 1082/144 components to be free from defects, and will—at our option—repair or replace the product should it fail within one year from the first date of shipment.

This warranty is limited to defects in workmanship or materials, and does not cover customer damage, abuse or unauthorized modification. If this product fails or does not perform as warranted, your sole recourse shall be repair or replacement as described above. Under no condition shall **Patton Electronics** be liable for any damages incurred by the use of this product. These damages include, but are not limited to, the following: lost profits, lost savings and incidental or consequential damages arising from the use of or inability to use this product. **Patton Electronics** specifically disclaims all other warranties, expressed or implied, and the installation or use of this product shall be deemed an acceptance of these terms by the user.

1.1 FCC INFORMATION

This equipment has been tested and found to comply with the limits for a Class A digital device, pursuant to Part 15 of the FCC Rules. These limits are designed to provide reasonable protection against harmful interference when the equipment is operated in a commercial environment. This equipment generates, uses, and can radiate radio frequency energy and, if not installed and used in accordance with the instruction manual, may cause harmful interference to radio communications. Operation of this equipment in a residential area is likely to cause harmful interference in which case the user will be required to correct the interference at his own expense. If this equipment does cause harmful interference to radio or television reception, which can be determined by turning the equipment off and on, the user is encouraged to try to correct the interference by one or more of the following measures:

- Reorient or relocate the receiving antenna
- Increase the separation between the equipment and receiver
- Connect the equipment into an outlet on a circuit different from that to which the receiver is connected

1.2 CE NOTICE

The CE symbol on your Patton Electronics equipment indicates that it is in compliance with the Electromagnetic Compatibility (EMC) directive and the Low Voltage Directive (LVD) of the Union European (EU). A Certificate of Compliance is available by contacting Patton Technical Support.

1.3 SERVICE

All warranty and non-warranty repairs must be returned freight prepaid and insured to Patton Electronics. All returns must have a Return Materials Authorization number on the outside of the shipping container. This number may be obtained from Patton Electronics Technical Service at:

Tel: **(301) 975-1007**

E-mail: **support@patton.com**

URL: **www.patton.com**

Note Packages received without an RMA number will not be accepted.

Patton Electronics' technical staff is also available to answer any questions that might arise concerning the installation or use of your Model 1082 or Model 1082/144. Technical Service hours: **8AM to 5PM EST, Monday through Friday.**

2.0 GENERAL INFORMATION

Thank you for your purchase of this **Patton Electronics** product. This product has been thoroughly inspected and tested and is warranted for One Year parts and labor. If any questions or problems arise during installation or use of this product, please do not hesitate to contact **Patton Electronics Technical Support** at **(301) 975-1007**.

2.1 FEATURES

- Synchronous data rates: 19.2, 32, 56, 64, 128, and 144* kbps
- Asynchronous data rates: 0–38.4 kbps
- Full duplex operation over a single twisted pair (2-wires)
- Point-to-point distances up to 5 miles (all data rates) on 24 AWG twisted pair
- Remote digital loopback, local line loopback diagnostic modes
- Multi-Rate Symmetric DSL
- V.35 and X.21 Interfaces
- Compatible with Popular Model 1092
- SNMP Manageable with 1092ARC and 1001MC as 1001MC SNMP Agent Rack Card
- Universal Power Options, 120VAC, 230VAC and -48VDC Available
- Front Panel Status Indicators
- Small, Convenient Desktop Unit
- CE Marked

2.2 DESCRIPTION

The **Patton Model 1082** is a high speed, AC powered short range modem that is able to operate synchronously or asynchronously—full duplex—over a single twisted pair. Supporting data rates to 128 kbps— or 144 kbps on 1082/144 models—(synchronous) or 38.4 kbps (asynchronous), the Model 1082 is capable of point-to-point distances up to 5 miles using 24 AWG wire.

The Model 1082 supports internal, external or receive loopback clocking in synchronous mode. Data rates and asynchronous data format may be configured locally using DIP switches.

* 144 kbps available on 1082/144 models only.

Model 1082/C provides a V.35 interface on an M/34 female connector. Model 1082/D provides an X.21 interface on a DB-15 female connector.

Line connection is made by an RJ-45 jack. Standard versions of Model 1082 are powered by a 100-240VAC (Universal) supply. The DC power supply option supports any DC input between 36–72VDC.

2.3 1082 SNMP MANAGEMENT SOLUTIONS

The Model 1082 and Model 1082/144 are SNMP manageable when connected to a rack-mounted Model 1092ARC (see Figure 1). SNMP management is enabled through a 1001MC rack management card located in the Patton Electronics Rack System.

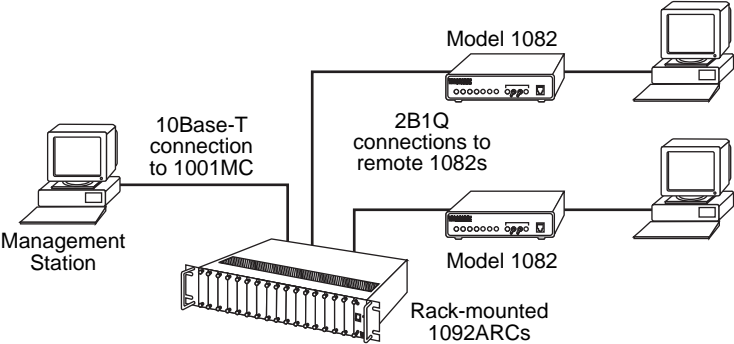


Figure 1. Typical application

HTTP/HTML Management

The 1001MC maintains HTML pages that can be viewed through a Web browser. You can display remote statistics and configure Model 1082 parameters simply by entering the 1001MC's IP address into the browser.

3.0 CONFIGURATION

The Model 1082 and 1082/144 each are equipped with 16 DIP switches that enable configuration of the unit for a wide variety of applications. This section describes switch locations and explains the different configurations

3.1 CONFIGURING THE HARDWARE DIP SWITCHES

Using a small flat-tip screwdriver, remove the protective cover located on the underside of the Model 1092 (see Figure 2).

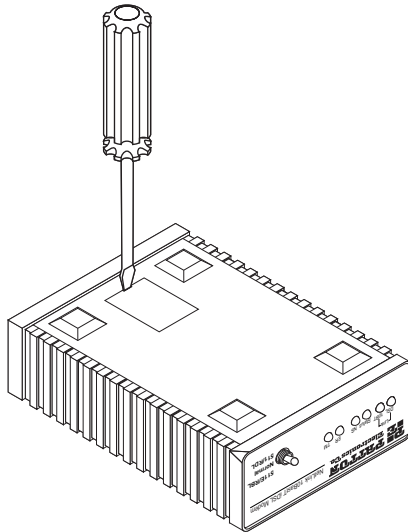


Figure 2. Removing the cover to access DIP switches S1 and S2

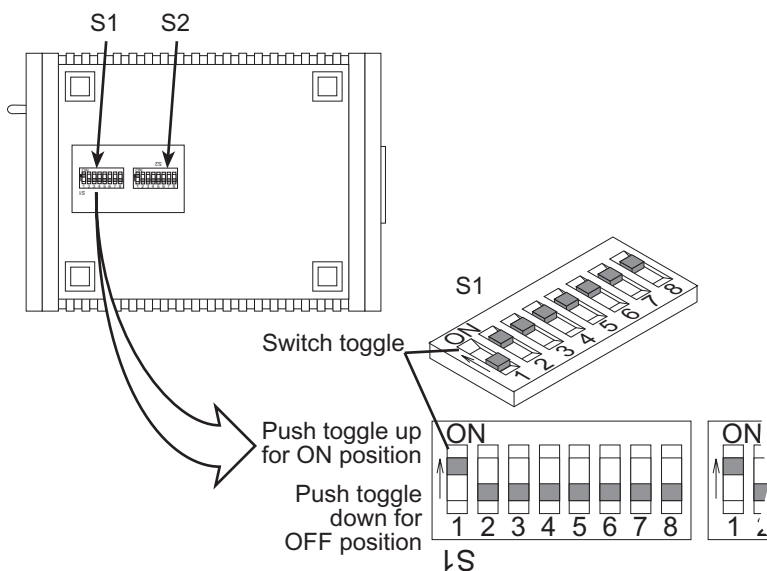


Figure 3. DIP switches S2 and S2

Figure 3 shows the orientation of the DIP switches in the “ON” and “OFF” positions.

Configuring DIP Switch S1

DIP switch S1 is where you configure the data rate, asynchronous or synchronous data format, transmit clock source, and response to RDL request. The following table summarizes default positions of DIP switches S1-1 through S1-8. Detailed descriptions of each switch follow the table.

S1 Summary Table			
Position	Function	Factory Default	
S1-1	Data Rate	On	} 64K Sync
S1-2	Data Rate	Off	
S1-3	DSR during Local Line Loop	On	DSR On
S1-4	Reserved	On	
S1-5	Async/Sync Data Format	Off	
S1-6	Tx Clock Source	On	} Internal Clock
S1-7	Tx Clock Source	On	
S1-8	Response to RDL Request	On	Enable

Note When setting the 1082 for SNMP Management, the DTE rate switches (S1-1, S1-2, and S2-1) must be also set to the ON position. Therefore, to set a 1082 unit SNMP Management mode, the following switches have to be at the ON position, S1-1, S1-2, S2-1.

Switches S1-1 and S1-2: Data Rate

Use switches S1-1 and S1-2 to configure the asynchronous or synchronous data rate of the Model 1082 and Model 1082/144. Each setting represents one synchronous data rate and one asynchronous data rate.

S1-1	S1-2	Sync Data Rate	Async. Data Rate
On	On	32 kbps	Reserved
Off	On	56 kbps	Reserved
On	Off	64 kbps	Reserved
Off	Off	128 kbps (see note)	0–38.4 kbps
Off	Off	144 kbps or 19.2 kbps (see note)	Reserved

Note The Model 1082 can also operate at the 19.2 kbps synchronous rate, and the Model 1092/144 can also operate at the 144 kbps synchronous rate. To operate at these rates, set switches S1-1 and S1-2 both to the OFF position and Switch S2-1 to the ON position (see section , “Configuring DIP switch S2” on page 122 for a description of Switch S2-1).

If the S2-1 switch is positioned in the OFF position, the 128 kbps sync data rate/0–38.4 kbps async data rate option is selected.

Switch S1-3: Data Set Ready during Line Loopback Test

Use Switch S1-3 to control the behavior of the DSR signal at the EIA interface during the line loopback test.

S1-3	Setting
On	DSR is on during local line loop
Off	DSR is off during local line loop

Switch S1-4: Must be set to the ON position (Reserved).

S1-4	Setting
On	Reserved

Switch S1-5: Asynchronous/Sync Operation

Use switch S1-5 to configure the Model 1082 for async/sync operation. Switch S1-5 must be set in the Off position. There is no other valid setting.

S1-5	Setting
Off	Async/Sync

Switches S1-6 and S1-7: System Clock Mode

Use Switches S1-6 and S1-7 to configure the 1082 or Model 1082/144 for internal, or receive recover clock mode.

S1-6	S1-7	Clock Mode	Description
On	On	Internal	System clock generated internally
Off	On	External (DTE)	System clock derived from terminal interface
On	Off	Receive Recover	System clock derived from the received line signal
Off	Off	Hardware Reset	



A pair of Model 1082s communicate synchronously across the twisted pair line connection. Therefore, **you must set these switches whether your application is async or sync.** For X.21 or Async applications, configure one Model 1082 for internal clock mode and the other Model 1082 for receive recover clock mode.

Important

Switch S1-8: Response to RDL Request

Use Switch S1-8 to allow Model 1082 and Model 1082/144 to enter the Remote Digital Loopback diagnostic test when requested to do so by the far end Model 1082 or Model 1082/144. For example, when switch S1-8 is set to "ON", it will enter RDL mode (See section 5.3, "Test Modes" on

page 22) when requested to do so by the remote Model 1082 and Model 1082/144.

S1-8	Setting
On	Response to RDL Request Enabled
Off	Response to RDL Request Disabled

Note The Remote Digital Loopback (RDL) will not work for 144 kbps. You must first set the units to 128 kbps or slower to use the RDL.

Configuring DIP switch S2

Use the eight DIP switches in S2 to enable 19.2 kbps or 144* kbps synchronous operation and set the loopback modes. The following table summarizes default positions of DIP switches S2-1 through S2-8.

Detailed descriptions of each switch follow the table.

S2 Summary Table		
Position	Function	Factory Default
S2-1	19.2 or 144* kbps Enable	Off
S2-2	Front Panel Switch Disable	Off
S2-3	Response to LAL from DTE	Off Disabled
S2-4	Not Assigned	Off
S2-5	Not Assigned	Off
S2-6	Response to RDL from DTE	On Enabled
S2-7	Compatibility Mode	Off
S2-8	Not Assigned	Off

* 144 kbps data rate is only available on the Model 1082/144.
19.2 kbps rate is available on all Model 1082 series modems *except* for the 1082/144.

Switches S2-1: 19.2 kbps or 144* kbps Synchronous Rate Enable

Use switch S2-1 to allow the Model 1082 and Model 1082/144 to operate at the 19.2 kbps *synchronous* data rate, or to enable the Model 1082/144 to operate at the 144* kbps synchronous data rate.

S2-1	Activation	Description
Off	Disabled	Synchronous data rate is 32–128 kbps as defined by switches S1-1 and S1-2
On	Enabled	Model 1082 operates at synchronous 19.2 kbps data rate (see note). The Model 1082/144 operates at 144 kbps synchronous data rate (see note)

Note To operate at 19.2 kbps or 144 kbps, set switches S1-1 and S1-2 to the OFF position and switch S2-1 to ON (see section “Configuring DIP Switch S1” on page 9).

Switch S2-2: Front Panel Switch Disable

Use switch S2-2 to enable or disable the front panel toggle switches.

S2-2	Setting
On	Disable the front panel switches
Off	Enable the front panel switches

Switches S2-3: Response to Local Line Loop Requests from DTE

Use switch S2-3 to enable Local Line Loopback from the local DTE interface (See “Local Line Loopback (LLB)” on page 22).

S2-3	Activation	Description
Off	Disabled	Ignore Line Loop Back request from DTE interface
ON	Enabled	Respond to Line Loop Back request from DTE interface

Switches S2-4 and S2-5: Not Assigned

* 144 kbps data rate is only available on the Model 1082/144.
19.2 kbps rate is available on all Model 1082 series modems *except* for the 1082/144.

Switch S2-6: Response to RDL Request from DTE

Use switch S2-6 to determine the Model 1082 response to RDL requests from the local DTE. In the enabled setting, the 1082 responds to RDL requests from the local DTE by sending an RDL loop request to the remote Model 1082 (See “Remote Digital Loopback (RDL)” on page 23).

S2-3	Activation	Description
Off	Disabled	Ignore Remote Digital Loopback request from DTE interface
On	Enabled	Respond to Remote Digital Loopback request from DTE interface

Switch S2-7: Compatibility Mode

In some instances, you may need to connect a Model 1082 to a third party IDSL modem. By enabling S2-7 the 1082 will negotiate and link up to a non-Patton IDSL Modem. When using two Patton units, set 2-7 to the default position.

S2-7	Activation	Setting
Off	Disabled	Default position
On	Enabled	Compatibility Mode

Switch S2-8: Not Assigned

4.0 INSTALLATION

Once the Model 1082 has been configured, it is ready to connect to the twisted pair interface, to the serial port, and to the power source. This section tells you how to make these connections.

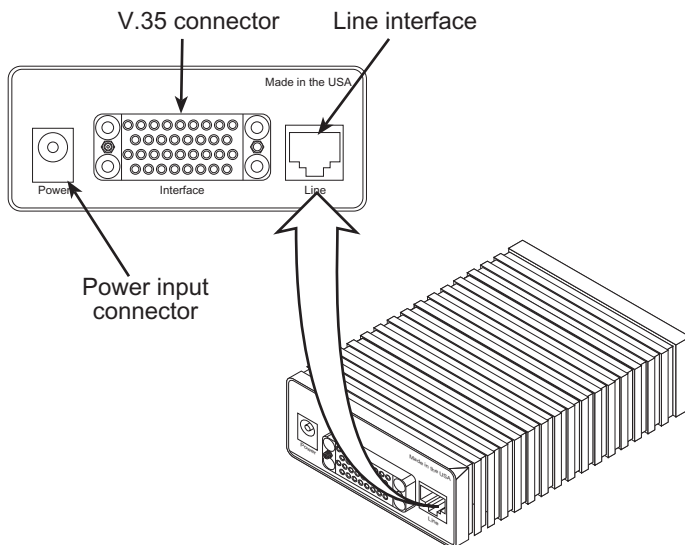


Figure 4. Model 1082 or Model 1082/144 rear view

4.1 CONNECTING THE TWISTED PAIR INTERFACE

The Model 1082 supports communication between two DTE devices at distances to 5 miles (8 km) over 24 AWG (.5mm) twisted pair wire. Two things are essential:

1. These units work in pairs. Both units at the end of the twisted pair DSL span must be set for the same DTE rate.
2. To function properly, the Model 1082 needs one twisted pair of metallic wire. This twisted pair must be unconditioned, dry, metallic wire, between 19 (.9mm) and 26 AWG (.4mm) (the higher number gauges will limit distance). Standard dial-up telephone circuits, or leased circuits that run through signal equalization equipment, or standard, flat modular telephone type cable, are not acceptable.

The RJ-45 connector on the Model 1082's twisted pair interface is polarity insensitive and is wired for a two-wire interface. The signal/pin relationships are shown in Figure 5.

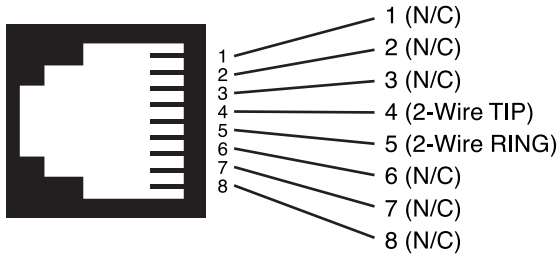


Figure 5. Model 1082 RJ-45 twisted pair line interface

4.2 CONNECTING THE MODEL 1082 (V.35) SERIAL INTERFACE

Model 1082 supports V.35 serial port connections. This section describes how to connect the serial ports to your V.35 equipment.

Connecting the Model 1082 (V.35) to a DTE Device

The Model 1082 provides a V.35 DCE (Data Circuit Terminating Equipment) interface on an M/34 female connector. As a DCE, this interface is designed to connect to DTE equipment, such as a router. When connecting the V.35 interface of the Model 1082 to your DTE device, use a V.35 straight-through cable (see Figure 6). Appendix C, "Model 1082C and 1082D Interface Pin Assignments" on page 28 describes pin assignments and signal sources for the Model 1082 V.35 interface. When purchasing or constructing an interface cable, please refer to the pin diagrams in Appendix C as a guide.

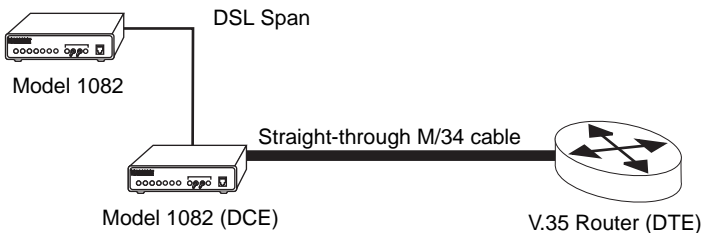


Figure 6. Connecting the Model 1082 to a V.35 serial DTE

Connecting the Model 1082 (V.35) to a DCE Device

The Model 1082 provides a V.35 DCE (Data Circuit Terminating Equipment) interface on an M/34 female connector. As a DCE, this interface is

designed to connect to DTE equipment, such as a router. However, tail-circuit applications require connection to another DCE equipment, such as a multiplexer (see Figure 7). When connecting the V.35 interface of the Model 1082 to your DCE device, use a V.35 null modem cable. Some applications may also require the installation of a V.35 tail-circuit buffer to account for small differences in clock frequency between the 1082 and the V.35 DCE (Multiplexer).

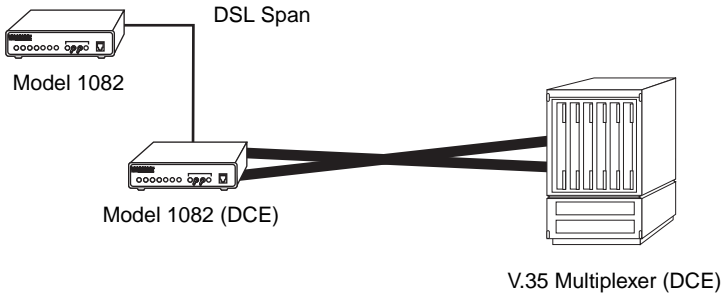


Figure 7. Connecting the Model 1082 to V.35 serial DCE

4.3 CONNECTING THE MODEL 1082 (X.21) SERIAL INTERFACE

Model 1082 supports X.21 serial port connections. This section describes how to connect the serial ports to your X.21 equipment.

Connecting the Model 1082 (X.21) to a “DCE” or “DTE” Device

The Model 1082 provides an X.21 interface on a DB-15 female connector. The X.21 interface default configuration is DCE (Data Circuit Terminating Equipment) for connection to DTE (Data Terminal Equipment) such as a router. However, the X.21 interface on the Model 1082 may be configured as DTE (Data Terminal Equipment) for connection to DCE such as a modem or

multiplexer. When connecting the X.21 interface of the Model 1082 to your DTE device, use a X.21 straight through cable (see Figure 8).

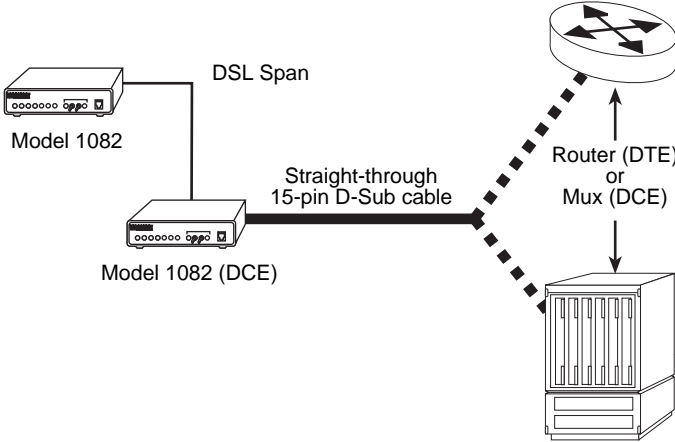


Figure 8. Connecting the Model 1082 to X.21 DTE or DCE

To change the DCE/DTE orientation from the default position (DCE), you must open the case Model 1082 case.

Opening the Case

To open the Model 1082 case, insert a flat head screw driver into an open slot on both sides of the case, as shown in Figure 9. Twist the screw driver head slightly and the top half of the case will separate from rest of the case.

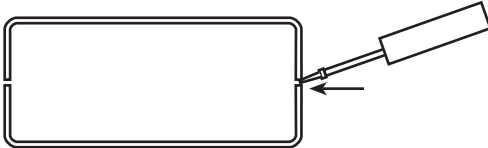


Figure 9. Opening the 1082 case with a small screwdriver

The DCE/DTE strap is located on the top side of the 1082 PC board (see Figure 10). The arrows on the top of the strap indicate the configuration of the X.21 port (for example, if the DTE arrows are pointing toward the DB-15 connector, the X.21 port is wired as a DTE). Change the DCE/DTE orientation by pulling the strap out of its socket, rotating it 180°, then plugging the strap back into the socket. To close the case, fit the two halves together snugly and snap them back in place.

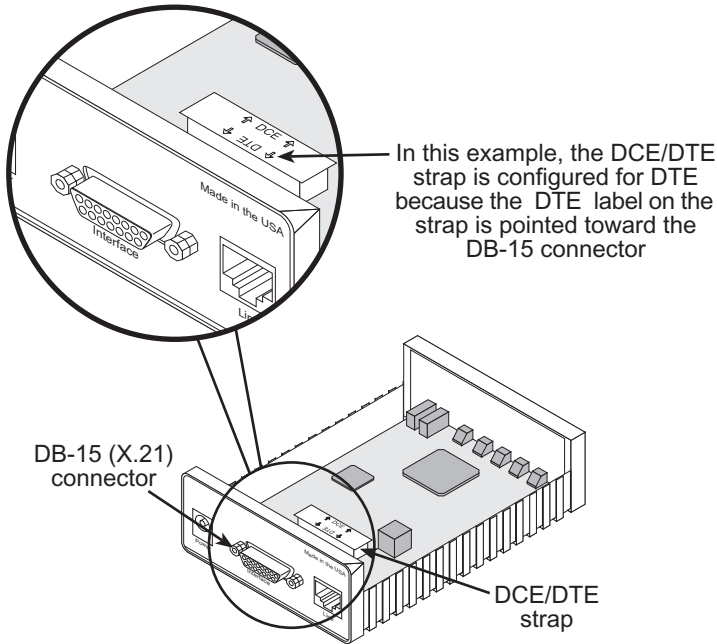


Figure 10. Setting the DCE/DTE strap

4.4 CONNECTING POWER

The Model 1082 (all versions) are available with Universal AC (100–240VAC), 120VAC, 230VAC or -48VDC power options. This section describes these options.

Universal AC Power (100–240VAC)

The Model 1082 uses a 5VDC, 2A universal input 100-240VAC, power supply (center pin is +5V). The universal input power supply has a male IEC-320 power entry connector. This power supply connects to the Model 1082 by means of a barrel jack on the rear panel. Many international power cords are available for the universal power supply (Refer to Appendix B, “Model 1082C and 1082D Factory Replacement Parts and Accessories” on page 27 for country-specific power cords.

The Model 1082 powers up as soon as it is plugged into an AC outlet--there is no power switch. The Universal AC supply is equipped with a male IEC-320

DC Power

The 36-60 VDC DC to DC adapter supplied with the DC version of the Model 1082 plugs in a DC source (nominal 48VDC) and plugs into the barrel power supply jack on the rear of the 1082. Refer to Figure 11 to make the proper connection.



Figure 11. Connecting DC power to the 48V-PSM DC power supply



WARNING

There are no user-serviceable parts in the power supply section of the Model 1082. Fuse replacement should only be performed by qualified service personnel. Contact Patton Electronics Technical support at +1 (301) 975-1007, via our web site at www.patton.com, or by E-mail at support@patton.com, for more information.

5.0 OPERATION

Once the Model 1082 is properly configured and installed, it should operate transparently. This sections describes power-up, reading the LED status monitors, and using the built-in loopback test modes.

5.1 POWER-UP

To apply power to the Model 1082, first be sure that you have read “Connecting Power” on page 19, and that the unit is connected to the appropriate power source. Then power-up the unit.

5.2 LED STATUS MONITORS

The Model 1082 features six front panel LEDs that monitor power, the DTE signals, network connection and test modes. Figure 12 shows the front panel location of each LED. See also, LED description Table 1.

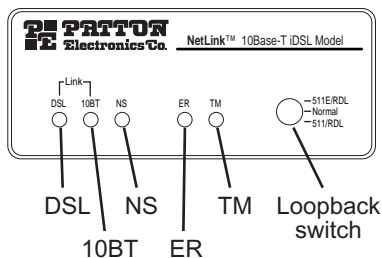


Figure 12. Model 1082 front panel

Table 1: LED descriptions

DSL Link	(Active Green) Solid green (On) indicates that the end to end DSL Frammer Link is up, signifying that the link across the DSL span is active. The DSL Link LED is Off when the link is down.
TD & RD	Glows yellow to indicate an idle condition of Binary “1” data on the respective terminal interface signals. Green indicates Binary “0” data
NS	(No Signal) glows red to indicate that the local Model 1082 is not connected with the remote Model 1082.
ER	Blinks ON/OFF after a 511/511E test has timed out. See “Using the V.52 (BER) test pattern generator” on page 24 for more information.
TM	Glows yellow to indicate TM

5.3 TEST MODES

The Model 1082 offers two proprietary loopback test modes, plus a built-in V.52 BER test pattern generator, to evaluate the condition of the modems and the communication link. These tests can be activated physically from the front panel, or via the interface.

Local Line Loopback (LLB)

The Local Line Loopback (LLB) test checks the operation of the local Model 1082, and is performed separately on each unit. Any data sent to the local Model 1082 in this test mode will be echoed (returned) back to the user device (see Figure 13). For example, characters typed on the keyboard of a terminal will appear on the terminal screen.

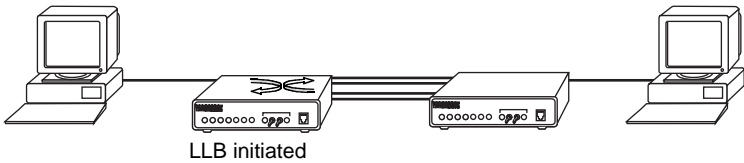


Figure 13. Local Line Loopback

To perform an LLB test, follow these steps:

1. Activate LLB. This may be done in one of three ways:
 - Move the front panel toggle switch up to “Local”.
 - Raise the LLB signal on the interface (see Appendix C, “Model 1082C and 1082D Interface Pin Assignments” on page 28).

Once LLB is activated, the Model 1082 transmitter output is connected to its own receiver. Data is also looped back to the line. The *TM* LED should be lit.

2. Verify that the data terminal equipment is operating properly and can be used for a test.
3. Perform a V.52 BER (bit error rate) test as described in “Using the V.52 (BER) test pattern generator” on page 24. If the BER test equipment indicates no faults, but the data terminal indicates a fault, follow the manufacturer’s checkout procedures for the data terminal. Also, check the interface cable between the terminal and the Model 1082.

Remote Digital Loopback (RDL)

The Remote Digital Loopback (RDL) test checks the performance of both the local and remote Model 1082s, and the communication link between them. Any characters sent to the remote Model 1082 in this test mode will be returned back to the originating device (see Figure 14, below). For example, characters typed on the keyboard of the local terminal will appear on the local terminal screen after having been passed to the remote Model 1082 and looped back.

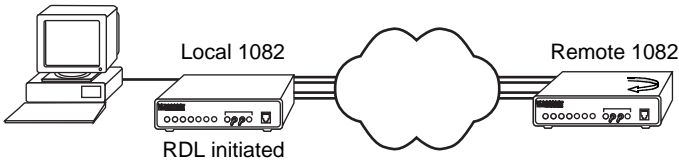


Figure 14. Remote Digital Loop



Do not send a 511 test pattern from the test equipment when you connect external test equipment to the 1082.

Important

To perform an RDL test, follow these steps:

1. Activate RDL. This may be done in three ways:

- Move the front panel toggle switch down to *Remote*.
- Raise the RDL signal on the interface (see Appendix C, “Model 1082C and 1082D Interface Pin Assignments” on page 28).

Note Remote loopback cannot be activated until approximately 45 seconds after the two modems have linked to each other.

2. Perform a V.52 BER test as described in “Using the V.52 (BER) test pattern generator” on page 24. If the BER test equipment indicates a fault, and the Local Line Loopback test was successful for both Model 1082s, you may have a problem with the twisted pair line between the modems. You should then check the twisted pair line for proper connections and continuity.

Note The Remote Digital Loopback (RDL) will not work for 144 kbps. You must first set the units to 128 kbps or slower to use the RDL.

Using the V.52 (BER) test pattern generator

To use the V.52 BER tests in conjunction with the Remote Digital Loopback tests (or with Local Line Loopback tests), do the following:

1. Locate the *511/511E* toggle switch on the front panel of the Model 1082 and set the toggle to the down position. This activates the V.52 BER test mode and transmits a *511* test pattern into the loop. If any errors are present, the local modem's red *ER* LED will blink continuously.
2. If the above test indicates that no errors are present, move the V.52 toggle switch to the up position, activating the 511/E test with errors present. If the test is working properly, the local modem's red *ER* LED will blink. A successful 511/E test will confirm that the link is in place, and that the Model 1082's built-in 511 generator and detector are working properly.

APPENDIX A

MODEL 1082 SPECIFICATIONS

A.1 TRANSMISSION FORMAT

Synchronous or asynchronous

A.2 TRANSMISSION LINE

Single unconditioned twisted pair

A.3 CLOCKING

Internal, external or receive loopback

A.4 DISTANCE

Distance, max, all data rates:

- 10.1 miles (16.4km) on 19 AWG (0.9mm) wire
- 7.2 miles (11.5 km) on 22 AWG (0.64mm) wire
- 5.0 (8 km) on 24 AWG (0.5mm) wire
- 3.4 (5.5 km) on 26 AWG (0.4mm) wire

A.5 DATA RATES

- Synchronous 19.2, 32, 56, 64,128, and 144* kbps
- Asynchronous 0–38.4 kbps

A.6 DIAGNOSTICS

V.52 compliant bit error rate pattern (511/511E pattern) generator and detector with error injection mode; Local Line Loopback and Remote Digital Loopback, activated by front panel switch or via serial interface

A.7 LED STATUS INDICATORS

TD, RD, DSL Link, NS (no signal), ER (error) and TM (test mode)

* 144 kbps data rate is only available on the Model 1082/144.
19.2 kbps rate is available on all Model 1082 series modems *except* for the 1082/144.

A.8 CONNECTORS

RJ-45 on line side; DB-25 female, M/34 female or DB-15 female on serial interface side.

A.9 POWER

100–253 VAC, 50–60 Hz (universal input option); 48 VDC (option).
5 watts.

A.10 TEMPERATURE RANGE

32–122°F (0–50°C)

A.11 ALTITUDE

0–15,000 feet (0–4,572 meters)

A.12 HUMIDITY

5 to 95%, non-condensing

A.13 DIMENSIONS

4.125W x 1.625H x 6.0D in. (10.5W x 4.1W x 15.2D cm)

A.14 WEIGHT

2.01 lbs. (1.0kg)

A.15 LINE INTERFACE

Transformer coupled 1500 VAC isolation

APPENDIX B

MODEL 1082C AND 1082D FACTORY REPLACEMENT PARTS AND ACCESSORIES

Model #	Description
1082/C	V.35 iDSL Modem
1082/D	X.21 iDSL Modem
1082/144/C	V.35 iDSL Modem with maximum data rate of 144 kbps
1082/144/D	X.21 iDSL Modem with maximum data rate of 144 kbps
48V-PSM	DC Power Supply Module
08055DCUI	100-240VAC (+5V \pm 5% reg. DC/2A) Universal Input Adapter
0805EUR	European Power Cord CEE 7 ("A")
0805UK	United Kingdom Power Cord ("D")
0805US	American Power Cord ("K")
0805AUS	Australia/New Zealand Power Cord ("C")
0805DEN	Denmark Power Cord ("E")
0805FR	France/Belgium Power Cord ("F")
0805IN	India Power Cord ("G")
0805IS	Israel Power Cord ("H")
0805JAP	Japan Power Cord ("J")
0805SW	Switzerland Power Cord ("L")
07M1082	User Manual

APPENDIX C

MODEL 1082C AND 1082D INTERFACE PIN ASSIGNMENTS

V.35 INTERFACE (M/34 Female Connector) (DCE Orientation)

Pin #	Signal
B	SGND (Signal Ground)
C	RTS (Request to Send) (DTE Source)
D	CTS (Clear to Send) (DCE Source)
E	DSR (Data Set Ready) (DCE Source)
F	CD (Carrier Detect) (DCE Source)
H	DTR (Data Terminal Ready) (DTE Source)
L	LLB (Local Line Loop) (DTE Source)
M	TM (Test Mode) (DTE Source)
N	RDL (Remote Digital Loop) (DTE Source)
P	TD (Transmit Data) (DTE Source)
R	RD (Receive Data) (DCE Source)
S	TD/ (Transmit Data-B) (DTE Source)
T	RD/ (Receive Data-B) (DCE Source)
U	XTC (External Transmit Clock) (DTE
V	RC(Receiver Clock) (DCE Source)
W	XTC/ (External Transmit Clock) (DTE source)
X	RC/ (Receiver Clock) (DCE Source)
Y	TC (Transmitter Clock-A) (DCE Source)
AA	TC/ (Transmit Clock-B) (DCE Source)

APPENDIX D

MODEL 1082C AND 1082D INTERFACE PIN ASSIGNMENTS

X.21 Interface (D-Sub-15 Female Connector) (DTE /DCE Orientation)

Pin #	Signal
1	Frame Ground
2	T (Transmit Data-A) (DTE Source)
3	C (Control-A) (DTE Source)
4	R (Receive Data-A) (DCE Source)
5	I (Indication-A) (DCE Source)
6	S (Signal Element Timing-A) (DCE Source)
7	BT (Byte Timing-A) (DCE Source)
8	SGND (Signal Ground)
9	T/ (Transmit Data-B) (DTE Source)
10	C/ (Control-B) (DTE Source)
11	R/ (Receive Data-B) (DCE Source)
12	I/ (Indication-B) (DCE Source)
13	S/ (Signal Element Timing-B) (DCE Source)
14	BT/ (Byte Timing-B) (DCE Source)

APPENDIX E

MODEL 1082C AND 1082D INTERFACE PIN ASSIGNMENT

X.21 Interface (DB-15 Female Connector) (DTE /DCE Configuration)

Pin #	Signal
1	Frame Ground
2	T (Transmit Data-A)
3	C (Control-A)
4	R (Receive Data-A)
5	I (Indication-A)
6	S (Signal Element Timing-A)
7	BT (Byte Timing-A)
8	SGND (Signal Ground)
9	T/ (Transmit Data-B)
10	C/ (Control-B)
11	R/ (Receive Data-B)
12.	I/ (Indication-B)
13	S/ (Signal Element Timing-B)
14	BT/ (Byte Timing-B)

Free Manuals Download Website

<http://myh66.com>

<http://usermanuals.us>

<http://www.somanuals.com>

<http://www.4manuals.cc>

<http://www.manual-lib.com>

<http://www.404manual.com>

<http://www.luxmanual.com>

<http://aubethermostatmanual.com>

Golf course search by state

<http://golfingnear.com>

Email search by domain

<http://emailbydomain.com>

Auto manuals search

<http://auto.somanuals.com>

TV manuals search

<http://tv.somanuals.com>