

IP ACCESS PRODUCTS

Patton IPLink Managed VPN Routers promote business/dual use of broadband access networks by applying VPN encryption AND QoS/CoS traffic management to traffic flows.

IPLink Managed VPN Routers

Models 2802 & 2805

Patton's IPLink Managed VPN Routers are a family of next generation appliances that address both the security and the traffic prioritization needs of enterprises. VPN routers enable the secure communication of remote offices, home offices, and mobile users across insecure IP networks such as the Internet. IPLink VPN Routers take it one step further and integrate quality of service (QoS) to optimize business traffic flows, allowing dual use (business and leisure) of broadband connections without impacting the quality of business communications.

IPLink VPN Routers implement a comprehensive security environment. It all starts with IPSec. By supporting ESP as well as AH, IPLink VPN Routers provide data integrity, authentication, anti-replay and data confidentiality to any traffic flow. DES, 3DES, and AES provide standard encryption up to 256 bits. Firewall capabilities of the IPLink VPN Routers include Access Control Lists (ACLs), IP address and port filtering, and protection against Denial of Service (DoS) attacks. Likewise, PPPoE protocols include support for PAP and CHAP authentication.

QoS features include ToS/DiffServ marking and the configuration of eight service class tags per IEEE 802.1p/Q. With traffic scheduling and shaping, create dedicated bandwidth guarantees, configurable burst tolerance, and policing to include excess traffic discard. IP fragmentation is configurable to help minimize jitter in traffic flows.

Advanced IP features include RIPv1 & RIPv2 routing and static route configuration. Static and dynamic NAT, NAT, NAT, DNS resolver and relay, dynamic DNS, and DHCP server further add to the capabilities of the IPLink VPN Router. All IPLink VPN routers can be managed via a web browser (HTTP), command line interface (Telnet), or an SNMP management platform.

For more information, visit us at www.patton.com.

VPN Tunnels

Standard IPSec with AH and ESP ensures maximum protection when traversing unsecured networks.

Strong Encryption

DES, 3DES, and AES offer standards based encryption algorithms from 56 to 256 bits.

QoS/CoS Profiles

Configurable burst tolerance, bandwidth guarantees plus reduce per flow traffic jitter as required by the application.

Configurable Security Profiles

Built-in IP address and IP port filtering, ACLs and DoS attack detection creates a comprehensive security environment.

Enhanced IP Services

DNS resolver and relay, NAT/NAPT, dynamic DNS, and DHCP server, eases integration.

10/100 Ethernet

Dual 10/100 Ethernet and 5 port Ethernet switch.

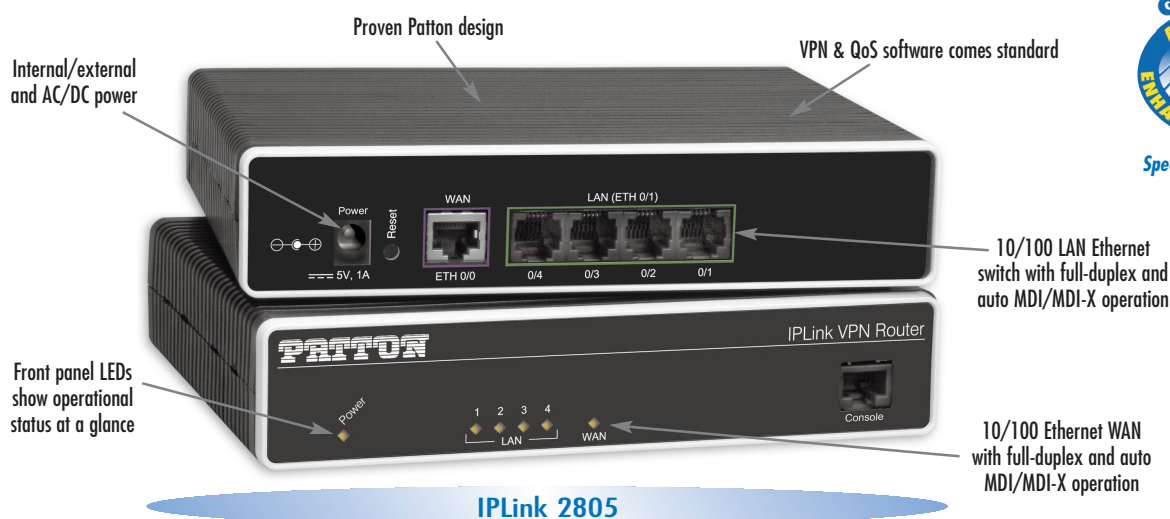
SNMP/HTTP Management

Easily manage the IPLink VPN Routers via a simple web browser interface.

PATTON



Special Rates Available
Call for Details

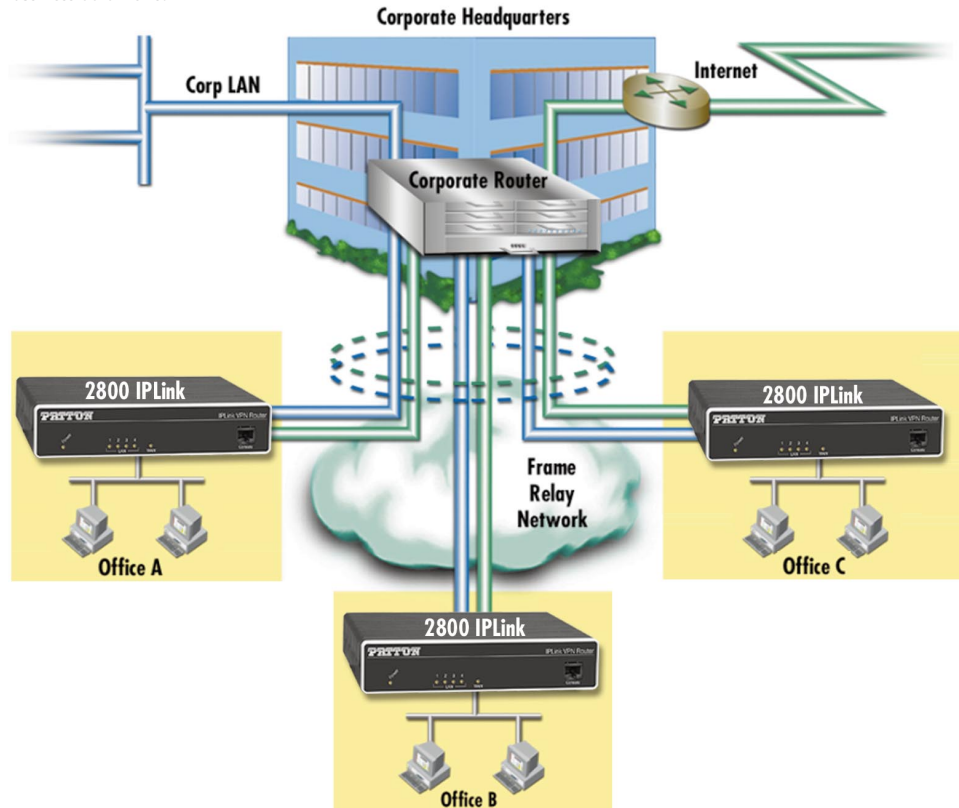


Features

- ✓ **VPN tunneling secures IP network traversal.**
 - IPSec encryption supporting AH and ESP provides data integrity, authentication, anti-replay and data confidentiality.
- ✓ **256-bit encryption protects data.**
 - With support for DES, 3DES, and AES, data can be encrypted using 56 to 256-bit algorithms, right-sizing security to resources.
- ✓ **QoS/CoS profiles**
 - QoS/CoS guarantees traffic priority.
 - ToS/DiffServ labeling
 - Eight service class tags per IEEE 802.1p/Q
 - Per flow bandwidth guarantees
 - Hierarchical traffic classes
 - Configurable burst tolerance
 - Excess traffic discard
 - Configurable packet and frame fragmentation to minimize jitter.

Typical Application

IPLink VPN Routers are next-generation security appliances that address the needs of business users by integrating QoS into a one-box solution. By including QoS, broadband connections can be put to dual-use without impacting the quality of business data flows.



Specifications

WAN Ethernet port

2802 & 2805: 10/100BaseT (RJ-45 connector); auto-negotiating; half/full duplex operation with automatic MDI/MDI-X

LAN Ethernet Ports

2802: 10/100BaseT (RJ-45 connector); auto-negotiating; half or full duplex operation with automatic MDI/MDI-X
2805: 4 port 10/100BaseT switch (RJ-45 connector); auto-negotiating; half/full duplex operation with automatic MDI/MDI-X

Management

CLI via Telnet; TFTP for Software upgrade and configuration upload; SNMPv1; HTTP/web browser

Protocols

IP (RFC 741), TCP (RFC 793), UDP (RFC 768), ICMP & ICMP Redirect (RFC 792), ARP (RFC 826). IP Router with RIPv1 (RFC 1058), RIPv2 (RFC 2453), programmable static routes. Integrated DHCP Server (RFC 2131), DNS Relay (RFC 1631), IEEE 802.1p VLAN Tagging, NAT/NAPT (RFC 1631/2391)

Security

IPSec including AH and ESP. DES, 3DES, and AES

encryption. Access Control Lists (ACLs). IP port and address filtering both by source and destination. DoS Detection. Password protected system management with a username/password for console and virtual terminal.

Power Supplies

External universal 90–260 VAC input or 48 VDC input. (Optional Internal universal 90–260 VAC input.)

Compliance

CE Mark; Safety: UL60950-1, CSA 22.2 6095001, IEC/EN60950-1. Universal AC units are US NRTL Listed; **EMC Emissions:** FCC Part

15 Class A; EN55022 Class A; **EMC Immunity:** EN55024

Environment

Operating temperature: 0-40°C (32-104 °F); Humidity: 5-80% non-condensing

Dimensions & Weight

7.3W x 1.6H x 6.1D in.
(18.5H x 4.1W x 15.5D cm)
30.5 oz./500g (models with internal power);
24.4 oz./400g (models with external power; no power supply)

Ordering Information

2802/UI
2802/EUI

2805/UI
2805/EUI

07M2800-ENET-DS1



Meriedweg 7
CH-3172 Niederwangen
Phone **+41 (31) 985 25 25**
Fax **+41 (31) 985 25 26**
E-mail **sales@inalp.com**
URL **http://www.inalp.com**



7622 Rickenbacker Drive
Gaithersburg, MD 20879 USA
Phone **+1-301-975-1000**
Fax **+1-301-869-9293**
E-mail **sales@patton.com**
URL **http://www.patton.com**

Free Manuals Download Website

<http://myh66.com>

<http://usermanuals.us>

<http://www.somanuals.com>

<http://www.4manuals.cc>

<http://www.manual-lib.com>

<http://www.404manual.com>

<http://www.luxmanual.com>

<http://aubethermostatmanual.com>

Golf course search by state

<http://golfingnear.com>

Email search by domain

<http://emailbydomain.com>

Auto manuals search

<http://auto.somanuals.com>

TV manuals search

<http://tv.somanuals.com>