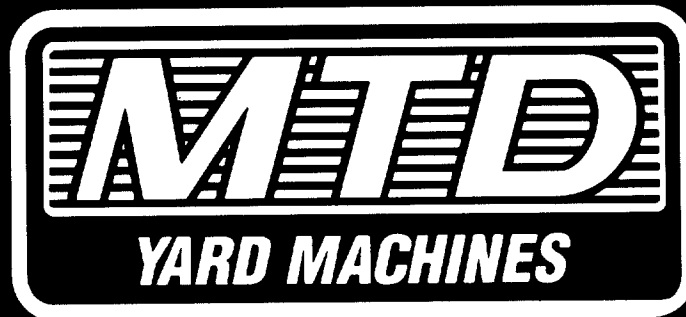


ILLUSTRATED PARTS

AMERICAN  AMERICAN
M A D E O W N E D
OUTDOOR POWER EQUIPMENT



1996

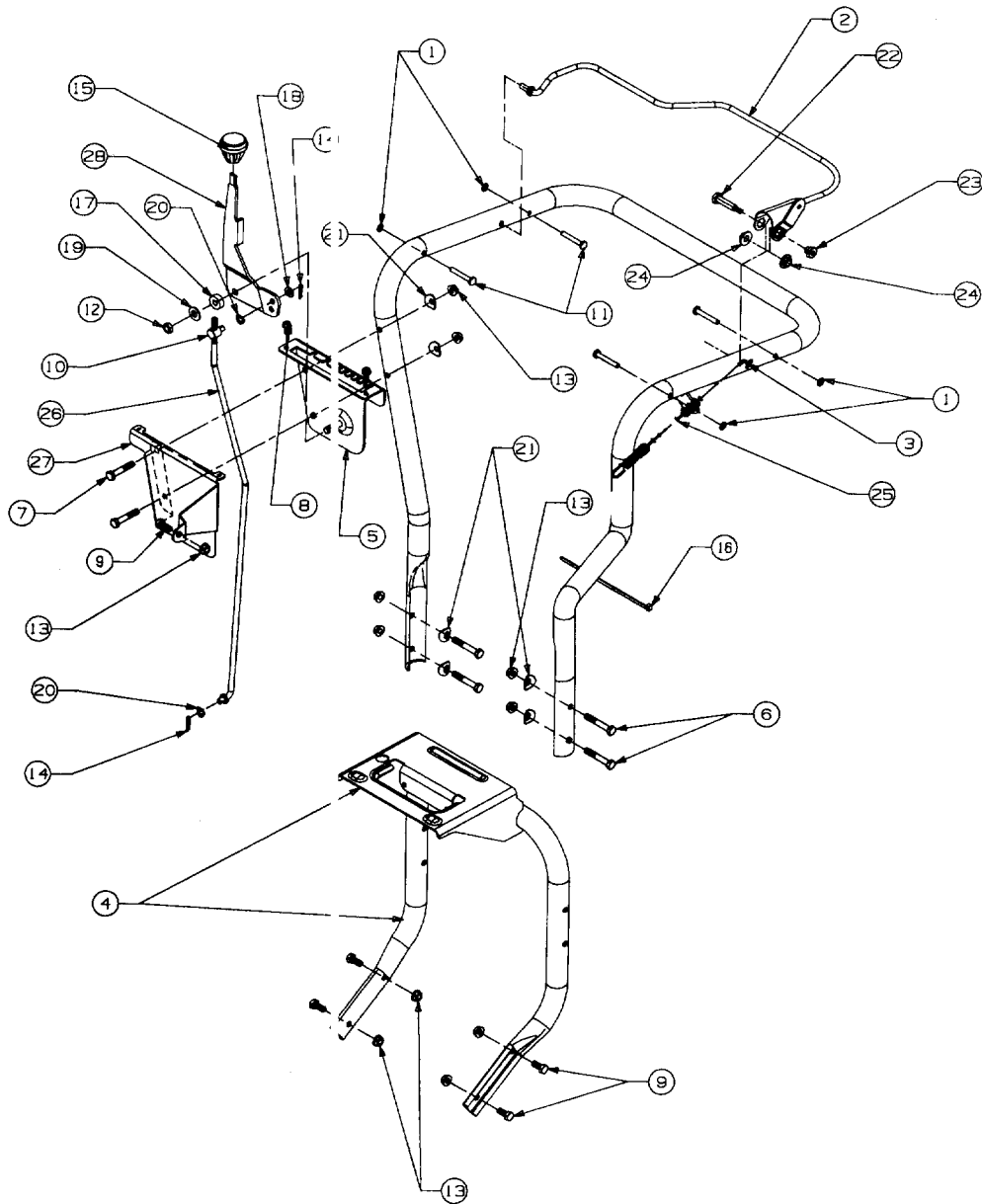
CHIPPER / VACUUM

Model Number	Pages
246-315B000	2-8
246-315D000	2-8

MTD PRODUCTS INC • P.O. BOX 368022 • CLEVELAND, OHIO 44136-9722

FORM NO. 770-96-7A

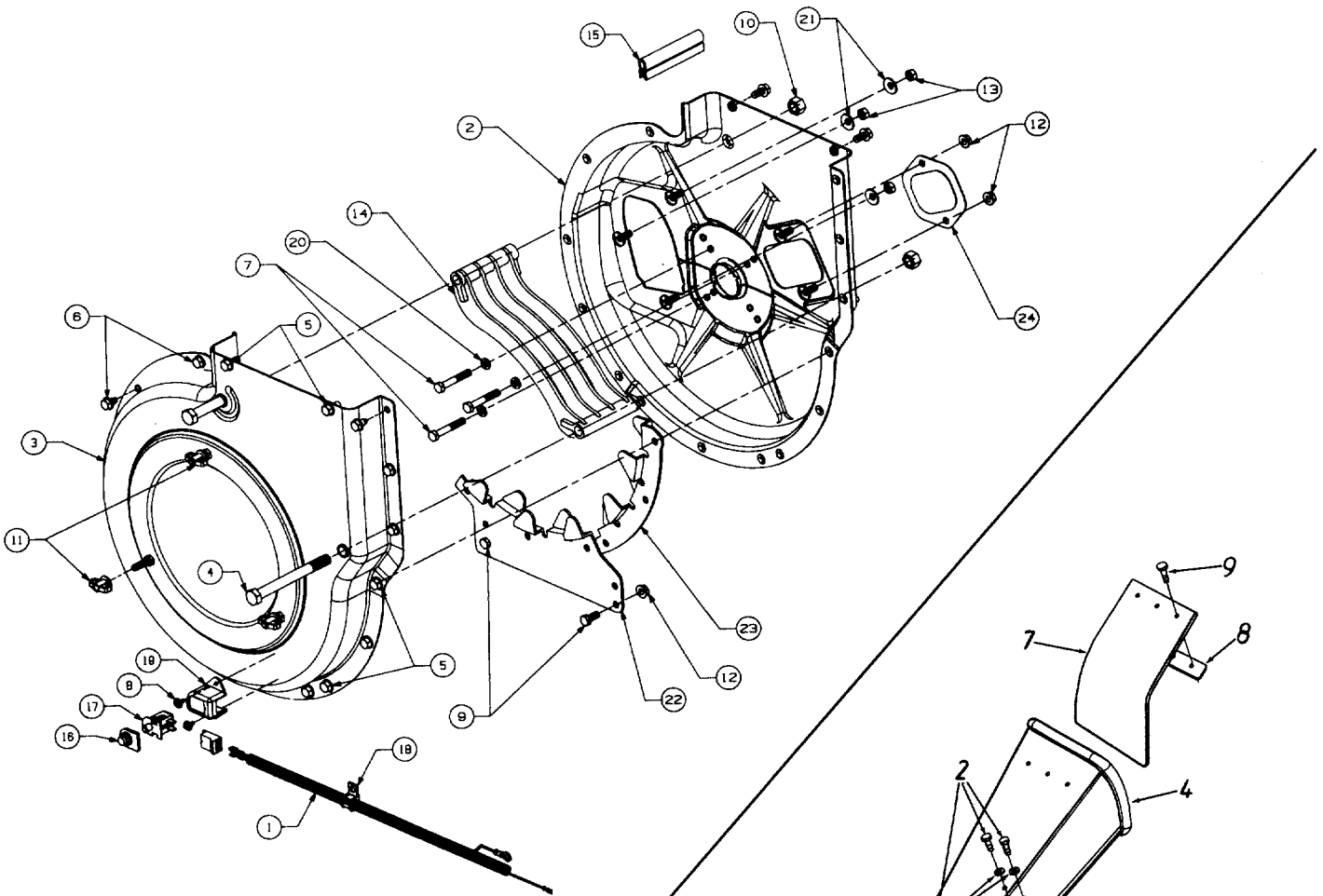
Models 315B and 315D



REF. NO.	PART NO.	DESCRIPTION	QTY.	REF. NO.	PART NO.	DESCRIPTION	QTY.
1	1539-019	PUSHNUT	4	15	720-0232	KNOB-SHIFT	1
2	647-0019	CONTROL ASSY	1	16	725-0157	CABLE TIE	1
3	649-0008	HANDLE ASSY-UPPER	1	17	735-0126	WASHER-RUBBER	1
4	649-0012	HANDLE ASSY-LOWER	1	18	736-0264	WASHER-FLAT	1
5	681-0076	BRACKET ASSY-SHIFT	1	19	736-0300	WASHER-FLAT	1
6	710-0116	SCREW-HEX	4	20	736-0413	WASHER-SPRING	2
7	710-0380	SCREW-HEX	2	21	736-0451	WASHER-SADDLE	6
8	710-0896	SCREW-HEX	2	22	738-0560	SCREW-SHOULDER	1
9	710-3008	SCREW-HEX	5	23	738-0561	NUT-SHOULDER	1
10	711-0677	FERRULE	1	24	741-0402	BEARING-FLANGE PLASTIC	2
11	711-0737	PIN-STUD	4	25	746-0921	CABLE-CLUTCH	1
12	712-0116	NUT-HEX LOCK	1	26	747-0626	ROD-SHIFT	1
13	712-3004A	NUT-HEX LOCK	11	27	781-0626	COVER-SHIFT	1
14	714-0104	PIN-COTTER	2	28	784-0297A	HANDLE-SHIFT	1

COLOR CODES: 788-0637—BLACK 788-0662—OYSTER GRAY

Models 315B and 315D

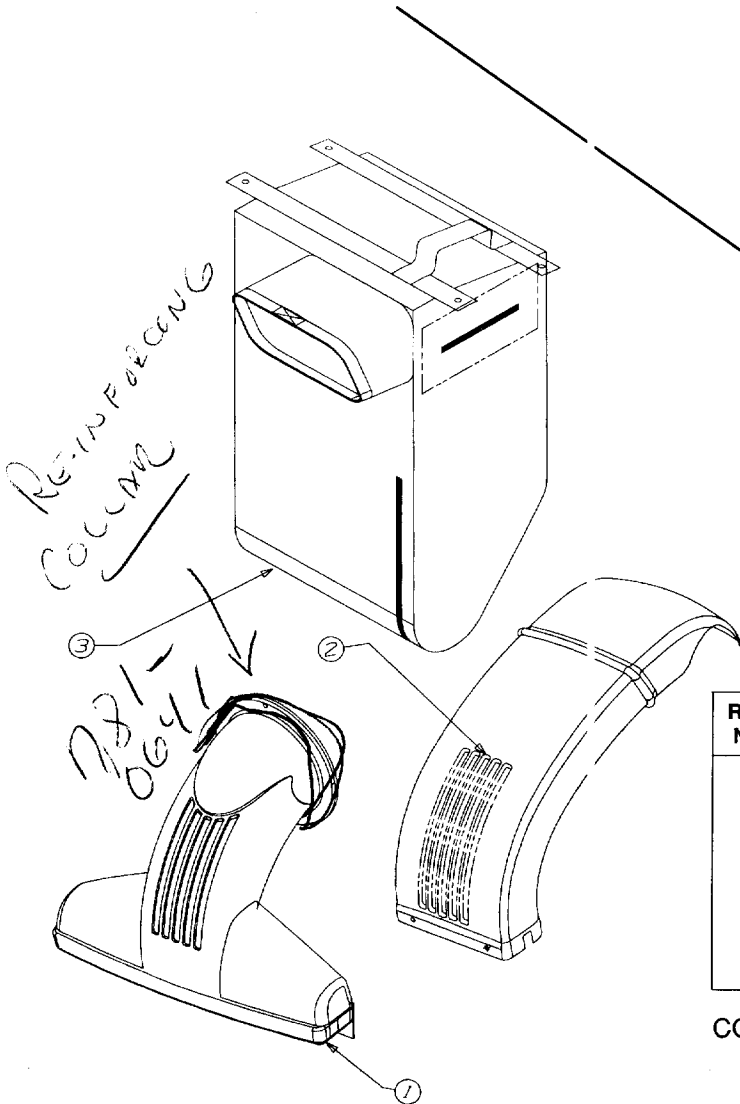
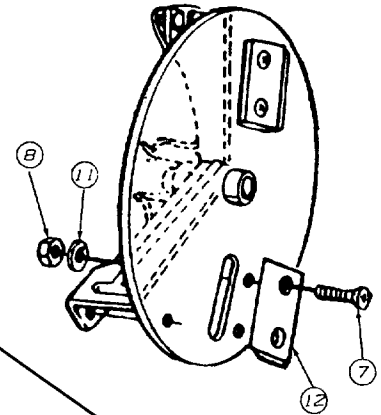
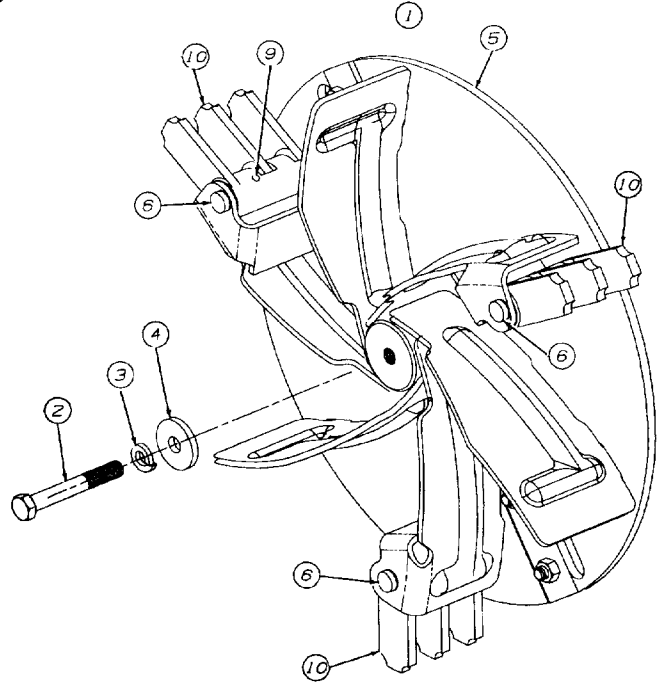


REF. NO.	PART NO.	DESCRIPTION	QTY.
1	629-0241	HARNES-CHIPPER VAC	1
2	681-0059	HOUSING ASSY—INNER	1
3	681-0060	HOUSING ASSY—OUTER	1
4	710-0382	SCREW-HEX	2
5	710-0604	SCREW-HEX SELF TAP	10
6	710-0607	SCREW-HEX SELF TAP	8
7	710-0772	SCREW-HEX	3
8	710-1268	SCREW- HEX SELF TAP	2
9	710-3008	SCREW-HEX	2
10	712-0384	NUT-HEX LOCK	2
11	712-0421	KNOB	3
12	712-3004A	NUT-HEX LOCK	4
13	712-3010	NUT-HEX (GR 5)	3
14	719-0326	SCREEN	1
15	723-0438	SEAL-RUBBER	2
16	725-1700	COVER-SWITCH	1
17	725-3166	SWITCH	1
18	726-0272	CLAMP	1
19	731-1613	COVER SWITCH	1
20	736-0119	WASHER-LOCK	3
21	736-0242	WASHER-BELL	3
22	781-0598	BLADE-FLAIL HOUSING	1
23	781-0599	BLADE-FLAIL HOUSING	1
24	781-0627	COVER-CHIPPER	1

REF. NO.	PART NO.	DESCRIPTION	QTY.
1	681-0068	CHUTE ASSEMBLY	1
2	710-0258	SCREW HEX	5
3	712-3027	NUT-LOCK	5
4	731-1609	CHUTE -CHIPPER UPPER (315B)	1
	731-1574	CHUTE-CHIPPER UPPER (315D)	1
5	736-0173	FL-WASH. .28" I.D. x .73" O.D.	5
6	781-0625	BRACKET SUPPORT	1
7	735-0249	FLAP	1
8	781-0633	STRIP-FLAP	1
9	728-0175	RIVET	3
—	731-1617	TAMPER PLUG (Not Shown—Optional)	1

Models 315B and 315D

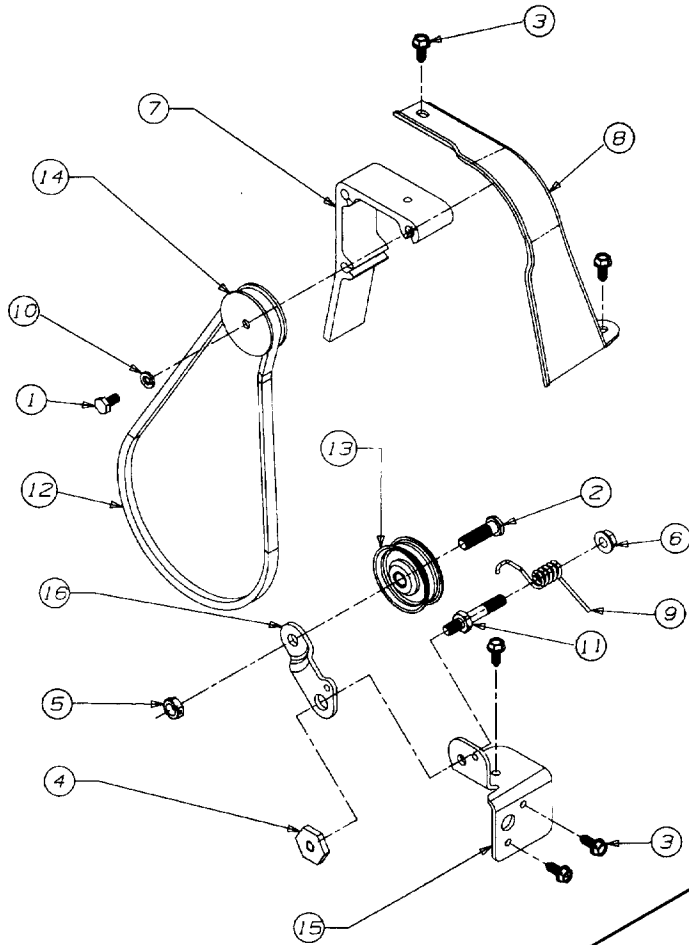
REF. NO.	PART NO.	DESCRIPTION	QTY.
1	681-0078	IMPELLER ASSY COMP. (315B-INCL. REF. NOS. 2 THRU 12)	1
	681-0051	IMPELLER ASS'Y COMP. (315D-INCL. REF. NOS. 2 THRU 12)	1
2	710-1273	SCREW-HEX	1
3	736-0217	WASHER-LOCK	1
4	736-0247	WASHER-FLAT	1
5	681-0078	IMPELLER ASSY	1
6	711-0833A	PIN-CLEVIS	3
7	710-1054	SCREW-FLAT HEAD	4
8	712-0411	NUT-HEX LOCK	4
9	715-0249	PIN-ROLL SPRING	3
10	719-0329	BLADE-FLAIL	3
11	736-0119	WASHER-LOCK	4
12	742-0544	BLADE-CHIPPER (315B)	4
	781-0490	BLADE-CHIPPER (315D)	4



REF. NO.	PART NO.	DESCRIPTION	QTY.
1	631-0028	NOZZLE ASS'Y.-VACUUM (315B)	1
	631-0029	NOZZLE ASS'Y.-VACUUM (315D)	1
2	731-1573	CHUTE-DISCHARGE (315B)	1
	731-1616	CHUTE-DISCHARGE (315D)	1
3	764-0472	BAG-VACUUM (315B)	1
	764-0473	BAG-VACUUM (315D)	1

COLOR CODES:
 788-0637 BLACK
 788-0662 OYSTER GRAY

Models 315B and 315D

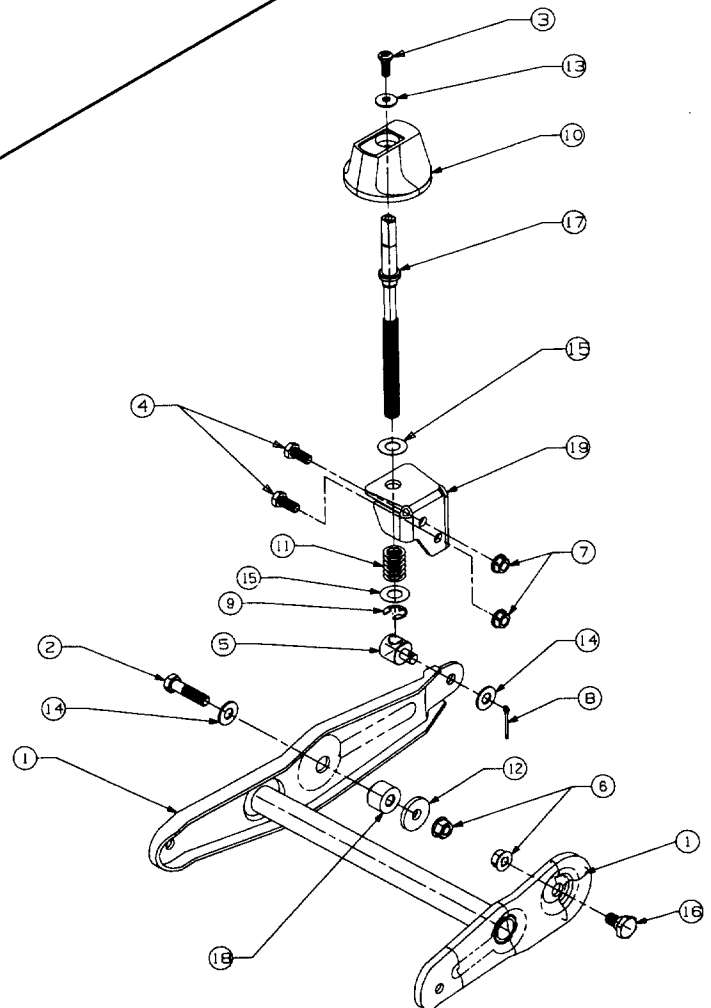


REF. NO.	PART NO.	DESCRIPTION	QTY.
1	710-0230	SCREW-HEX	1
2	710-0723	SCREW-HEX	1
3	710-0896	SCREW-HEX	5
4	711-0758	NUT-HEX SHOULDER	1
5	712-0266	NUT-HEX LOCK	1
6	712-3004A	NUT-HEX LOCK FLANGE	1
7	719-0330	ADAPTER-MOUNTING	1
8	731-1584	COVER-BELT	1
9	732-0745	SPRING-TORSION	1
10	736-0329	WASHER-LOCK	1
11	738-0908	BOLT-IDLER	1
12	754-0256	V-BELT	1
13	756-0313	IDLER-FLAT	1
14	756-0649	PULLEY	1
15	781-0611	BRACKET-IDLER PIVOT	1
16	781-0614	BRACKET-IDLER	1

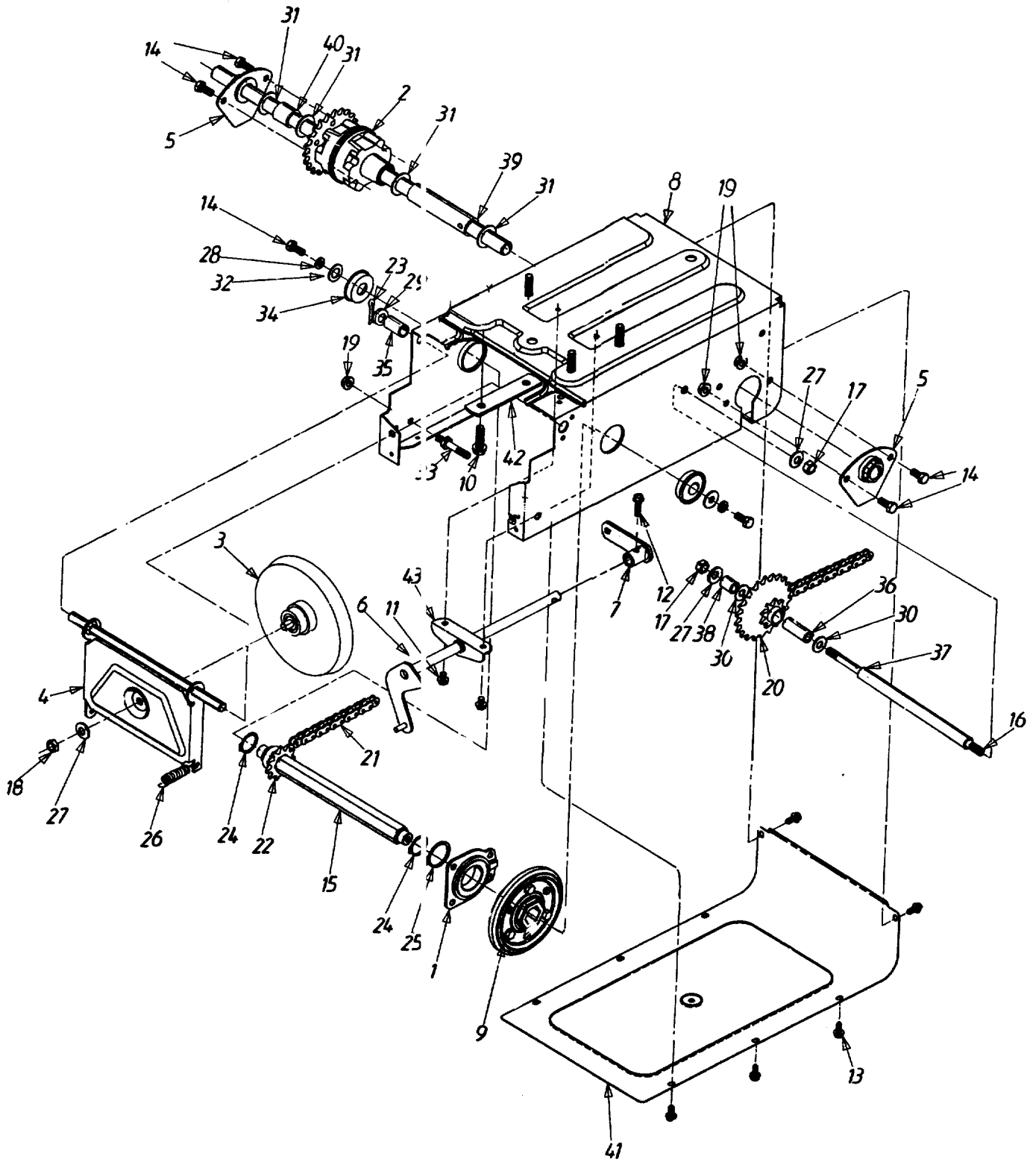
COLOR CODES:
 788-0637 BLACK
 788-0662 OYSTER GRAY

REF. NO.	PART NO.	DESCRIPTION	QTY.
1	681-0070	BRKT ASSY—WHEEL PIVOT	1
2	710-0520	SCREW-HEX	1
3	710-0924	SCREW-MACHINE PAN HD	1
4	710-3008	SCREW-HEX	2
5	711-1041	FERRULE—ADJUSTABLE	1
6	712-0431	NUT-HEX FLANGE LOCK	2
7	712-3004A	NUT-HEX FLANGE	2
8	714-0115	PIN-COTTER	1
9	716-0104	RING-E	1
10	720-0236	KNOB-PLASTIC	1
11	732-0645	SPRING-COMPRESSION	1
12	736-0247	WASHER-FLAT	1
13	736-0270	WASHER-BELL	1
14	736-0300	WASHER-FLAT	2
15	736-0369	WASHER-FLAT	2
16	738-0258	SCREW-SHOULDER	1
17	747-0631	ROD-ADJUSTABLE	1
18	750-0985	SPACER	1
19	781-0605	BRACKET-HEIGHT ADJ	1

COLOR CODES:
 788-0637 BLACK
 788-0662 OYSTER GRAY



Models 315B and 315D



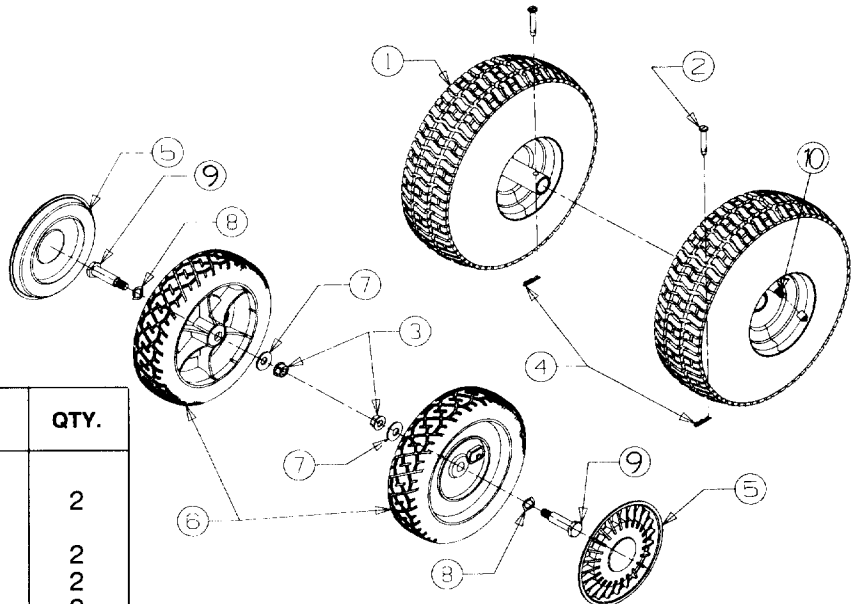
Models 315B and 315D

REF. NO.	PART NO.	DESCRIPTION	QTY.	REF. NO.	PART NO.	DESCRIPTION	QTY.
1	618-0063	BEARING ASSY-FRICTION WHEEL	1	20	713-0330	SPROCKET & HUB	1
2	618-0168	DIFFERENTIAL ASSY COMP.	1	21	713-0374	CHAIN	1
3	656-0009	DISC-FRICTION WHEEL ASSY COMP.	1	22	713-0415	SPROCKET 11T	1
	756-0564	DISC-FRICTION WHEEL		23	714-0474	PIN-COTTER	1
	738-0865	BOLT-SHOULDER		24	716-0102	RING-SNAP	2
	741-0600	BEARING-BALL		25	716-0185	RING-SNAP	1
4	681-0055	BRACKET ASSY-SUPPORT	1	26	732-0264	SPRING-EXTENSION	1
5	681-0058	BRACKET ASSY-AXLE	2	27	736-0105	WASHER-BELL	3
6	681-0069	SHAFT ASSY-SHIFT	1	28	736-0119	WASHER-LOCK	2
7	681-0072	ARM ASSY-SHIFT	1	29	736-0160	WASHER-FLAT	1
8	681-0073	FRAME ASSY	1	30	736-0267	WASHER-FLAT	2
9	684-0042	WHEEL ASSY-FRICTION	1	31	736-0287	WASHER-FLAT	4
10	710-0502A	SCREW-HEX SELF-TAP	4	32	736-3089	WASHER-FLAT	2
11	710-0653	SCREW-HEX WASHER	2	33	738-0908	BOLT-IDLER	1
12	710-0788	SCREW-HEX WASHER	1	34	741-0563	BEARING-BALL	2
13	710-0896	SCREW-HEX	8	35	748-0382	SPACER	1
14	710-3008	SCREW-HEX	6	36	750-0351	SLEEVE	1
15	711-1026	SHAFT-HEX	1	37	750-0978	SPACER	1
16	711-1028	SHAFT-JACK	1	38	750-0979	SPACER	1
17	712-0241	NUT-HEX	2	39	750-0980	SPACER	1
18	712-0711	NUT-HEX JAM	1	40	750-0981	SPACER	1
19	712-3004A	NUT-HEX FLANGE LOCK	5	41	781-0612	COVER-FRAME	1
				42	781-0638	PLATE-REINFORCEMENT	2
				43	784-5590	BRACKET-SHIFT	1

COLOR CODES:

788-0637 BLACK

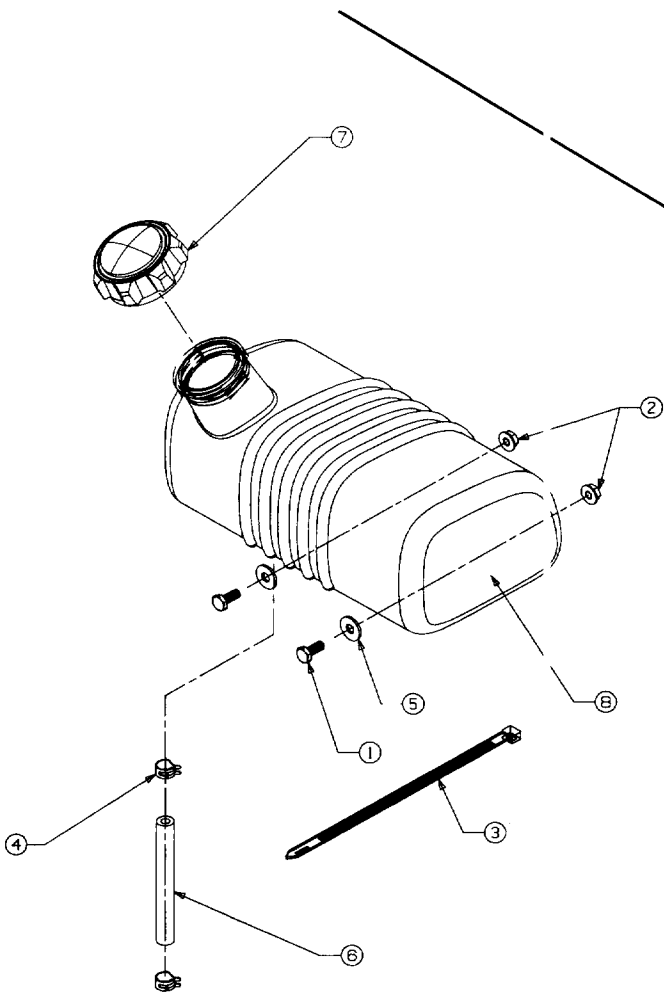
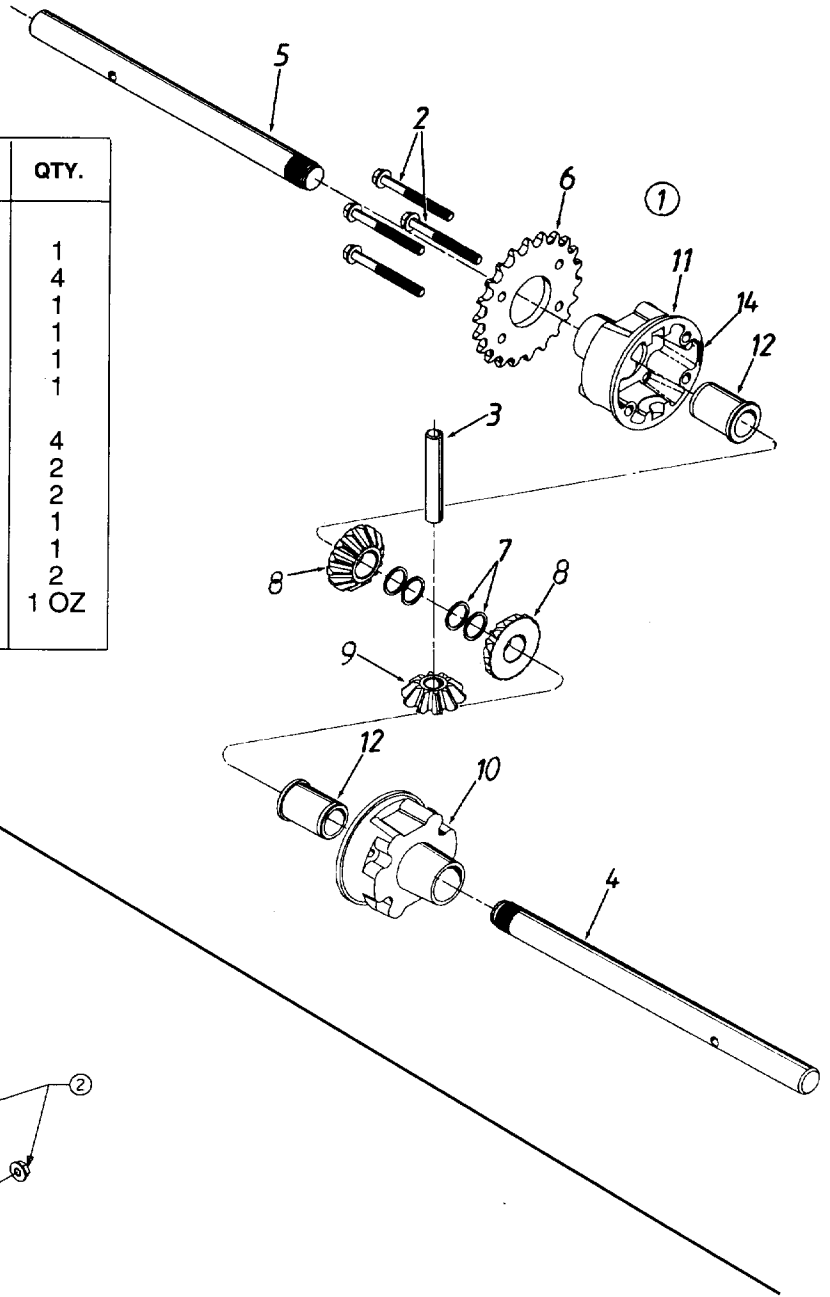
788-0662 OYSTER GRAY



REF. NO.	PART NO.	DESCRIPTION	QTY.
1	634-0100	WHEEL ASSY COMPLETE (315B)	2
	634-0118	WHEEL ASSY COMPLETE (315D)	2
	634-0101	RIM ASSY COMPLETE	2
	734-1598	TIRE PNEUMATIC (315B)	2
	734-0210	TIRE PNEUMATIC (315D)	2
2	711-1017	PIN-CLEVIS	2
3	712-0431	NUT-HEX FLANGE	2
4	714-0104	PIN-COTTER	2
5	731-0981A	HUB CAP (315B)	2
	731-0355A	HUB CAP (315D)	2
6	734-1513B	WHEEL (315B)	2
	734-1268	WHEEL (315D)	2
7	736-0105	WASHER-BELL	2
8	736-0504	WASHER-WAVE	2
9	738-0213	SCREW-SHOULDER	2
10	734-0255	VALVE STEM	2

Models 315B and 315D

REF. NO.	PART NO.	DESCRIPTION	QTY.
1	618-0168	DIFFERENTIAL ASSY COMPLETE	1
2	710-1206	SCREW-HEX	4
3	711-1035	SHAFT-CROSS	1
4	711-1037	AXLE-SHAFT 10.95" LONG	1
5	711-1038	AXLE-SHAFT 9.82" LONG	1
6	713-0445	SPROCKET 22 T	1
7	716-0232	RING-RETAINING (2 PER AXLE)	4
8	717-1358	GEAR-DIFFERENTIAL 14T	2
9	717-1437	GEAR-DIFFERENTIAL 10T	2
10	719-0333	HOUSING-DIFFERENTIAL F:H	1
11	719-0334	HOUSING-DIFFERENTIAL L:H	1
12	748-0383	BEARING-FLANGE	2
13	737-0300	GREASE	1 OZ
14	—	SEALANT-LOCTITE 5699	



REF. NO.	PART NO.	DESCRIPTION	QTY.
1	710-0258	SCREW-HEX	2
2	712-3027	NUT-HEX LOCK FLANGE	2
3	726-0209	CABLE TIE	1
4	726-0205	CLAMP-HOSE	2
5	736-0173	WASHER-FLAT	2
6	751-0535-12	HOSE-FUEL LINE 12"	1
7	751-0603	CAP-FUEL	1
8	751-0615	TANK-FUEL 1 GALLON (315B)	1
	751-0610	TANK-FUEL 1 GALLON (315D)	1

Free Manuals Download Website

<http://myh66.com>

<http://usermanuals.us>

<http://www.somanuals.com>

<http://www.4manuals.cc>

<http://www.manual-lib.com>

<http://www.404manual.com>

<http://www.luxmanual.com>

<http://aubethermostatmanual.com>

Golf course search by state

<http://golfingnear.com>

Email search by domain

<http://emailbydomain.com>

Auto manuals search

<http://auto.somanuals.com>

TV manuals search

<http://tv.somanuals.com>