

OWNERS

OPERATING MANUAL

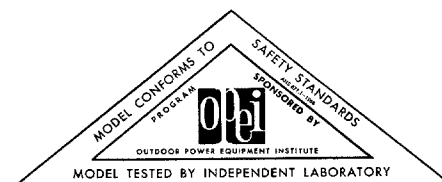
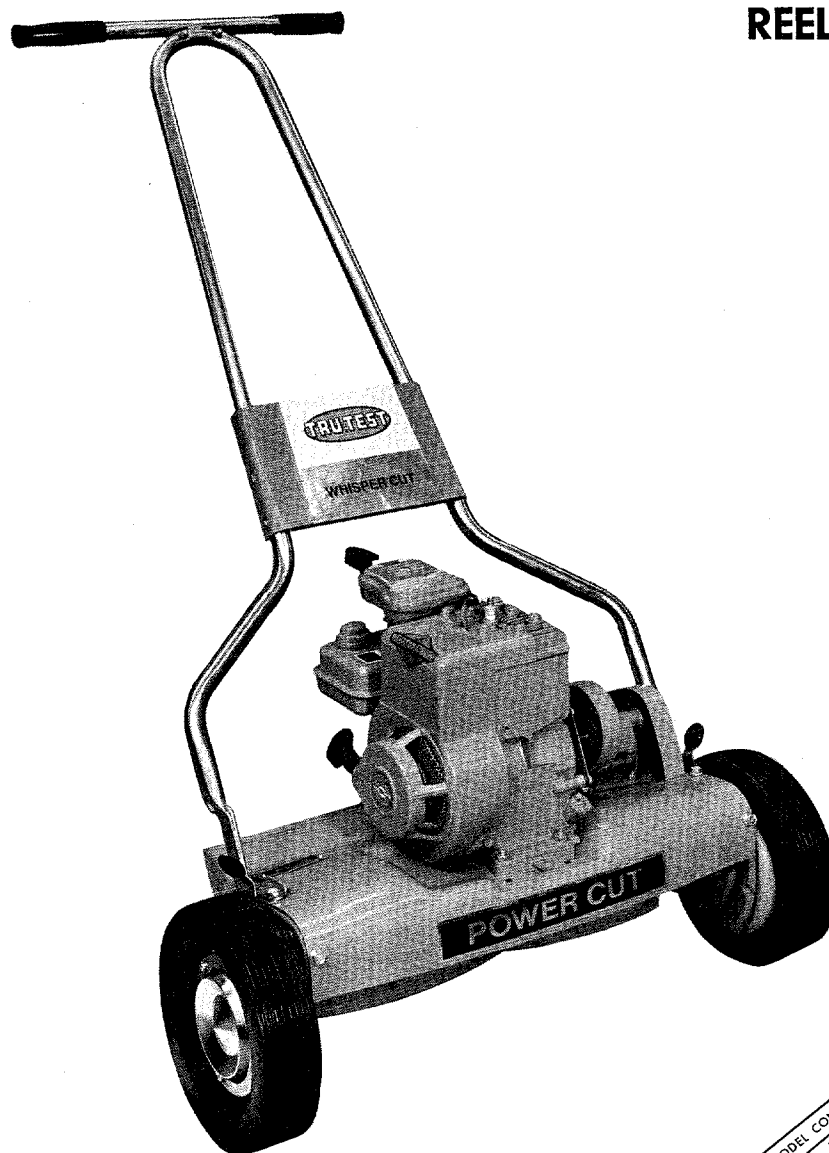
and PARTS LIST

2071

MODEL 10710-0

21 INCH

REEL MOWER



0611-704

PRINTED IN U.S.A.

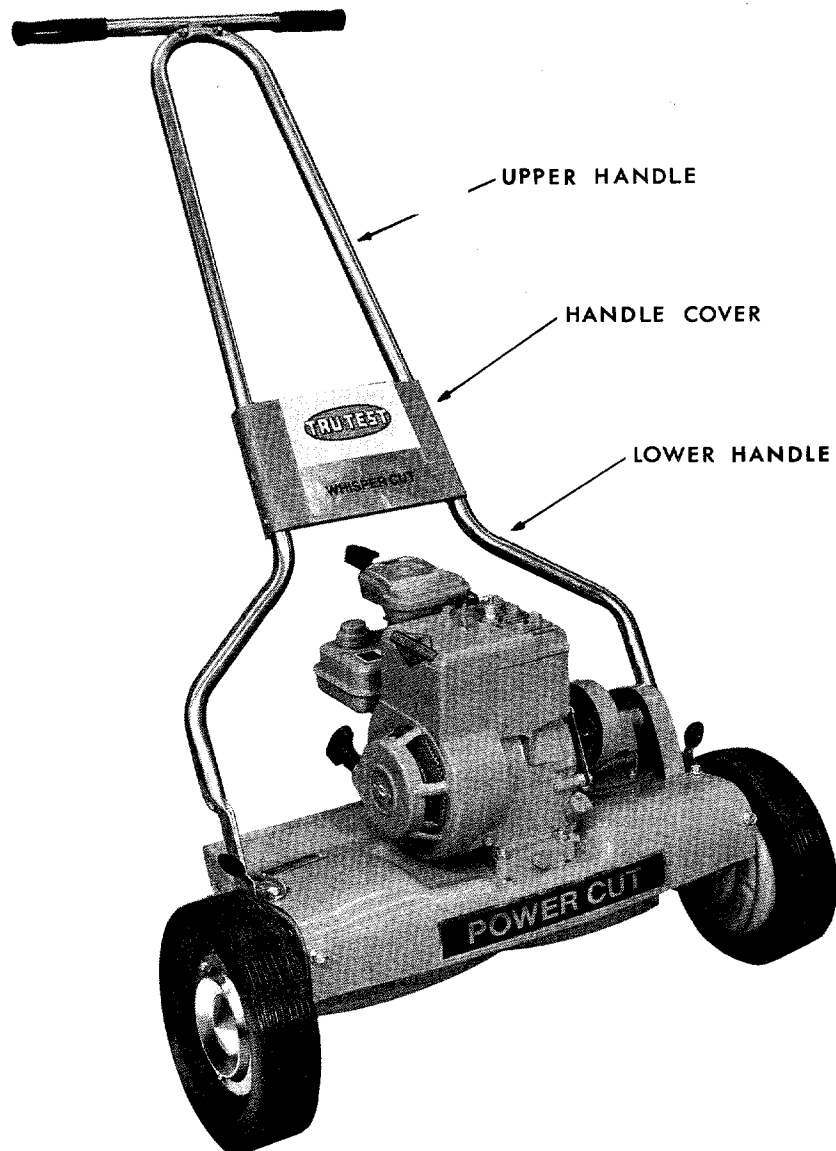
IMPORTANT

RULES FOR SAFE OPERATION

Your Mower is a precision piece of power equipment. Engineering skill and experience have been combined to provide the ultimate in safety and efficiency. As with any type of power equipment, carelessness or error on the part of the operator can result in injury. Exercise extreme caution at all times.

1. **KNOW YOUR MACHINE** — Read the Owner's Manual carefully — learn how to operate your mower properly.
2. **MAKE SURE THE LAWN IS CLEAR** of sticks, stones, wire and other hazardous items before mowing. Such items are dangerous to both the mower and individuals in the vicinity of the mower.
3. **ADD FUEL BEFORE STARTING ENGINE**—never when engine is hot or running.
4. **KEEP AREA OF OPERATION CLEAR** of all persons, particularly small children and pets.
5. **DISENGAGE ALL BLADE AND DRIVE CLUTCHES** so equipped before starting engine.
6. **ALWAYS STOP ENGINE** and disconnect sparkplug wire before making cutting height adjustments.
7. **CHECK ALL NUTS, BOLTS, AND SCREWS** occasionally to be sure mower is in good operating condition.
8. **NEVER OPERATE EQUIPMENT IN WET GRASS.** Always be sure of your footing; keep a firm hold on the handle and walk, never run.
9. **ALWAYS CHECK FOR DAMAGE** if you should strike some foreign object with the blade while moving, stop your mower. Inspect for and repair any damage before restarting and operating the mower.
10. **STOP THE ENGINE** when you leave the equipment. Make certain the blades and all moving parts have stopped.
11. **WHEN MOWING A TERRACE**, slope or incline, mow lengthwise. **DO NOT** mow up or down. Be careful when turning to avoid slipping.

PREPARING YOUR MOWER FOR USE



SET-UP

To assemble the handle to the chassis — place the lower handle through the opening in the left hand end plate and slip it over the 1/2 in. dia. trunnion. While holding the stand-up handle latch open — press the right hand side of the lower handle toward the center of the mower until it will fit into the opening in the end plate — place handle through the opening and slip it over the 1/2 dia. trunnion.

With the lower handle section in operating position the upper handle can now be loose assembled to the lower section with the nuts and bolts provided. Fit handle cover in place as shown and tighten bolts securely.

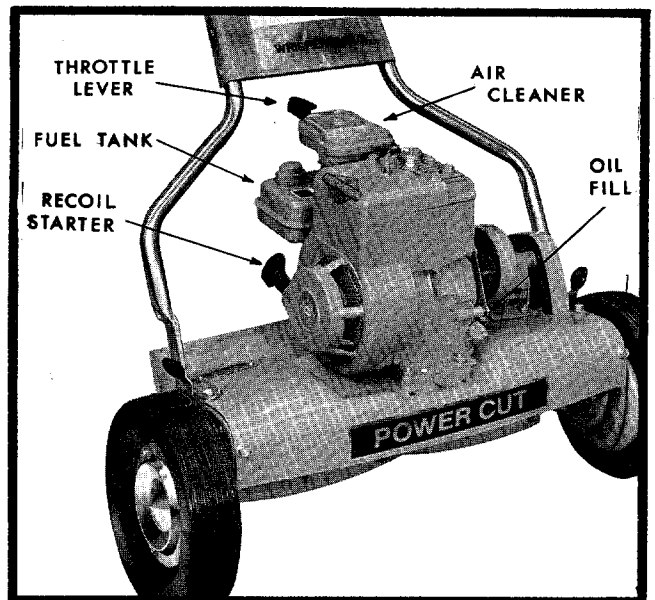
BEFORE STARTING ENGINE

1. Remove oil fill plug (Fig. 2). Place mower level and fill engine crankcase to top of oil plug with S.A.E. No. 30 oil. Tilt mower to make sure oil flows completely into crankcase. Replace fill plug and tighten.
2. The air cleaner protects the engine against grit and dirt. **CAUTION**, an extremely dirty air cleaner element may cause engine to stall.

SEE ENGINE INSTRUCTION MANUAL FOR PROPER AIR CLEANER MAINTENANCE.

3. Fill tank with good grade regular, clean fresh gasoline. **DO NOT MIX OIL** with gasoline.

FOR COMPLETE ENGINE INFORMATION READ ENGINE INSTRUCTION BOOKLET FURNISHED WITH YOUR MOWER BEFORE STARTING OR OPERATING.



TO START ENGINE

1. Place handle in neutral position with handle down.
2. Set throttle control in start position.
3. Pull starter rope with a smooth, quick full stroke once. Move throttle lever to run position. Pull starter rope again.
4. When engine starts move throttle lever to an idle position until the engine warms up.

BREAK-IN PERIOD

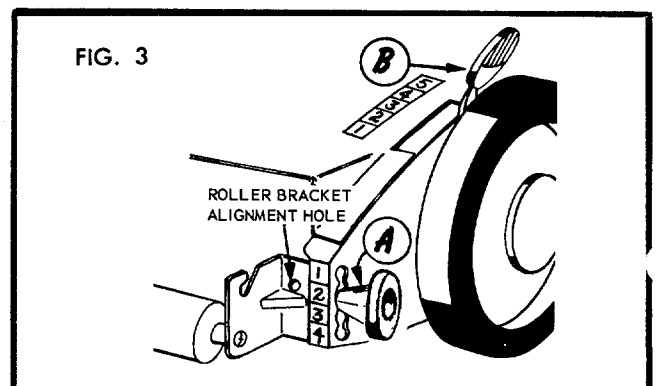
1. During first 10 hours of operation check frequently the following:
 - * Oil level in engine crankcase.
 - * Belt adjustment on engine to jackshaft drive. (Page 6)
 - * Check all bolts, nuts and screws for tightness.

OPERATING INSTRUCTIONS

TO PROPEL MOWER FORWARD, simply raise the handle . . . TO STOP MOWER, lower the handle.

TO ADJUST HEIGHT OF CUT

1. Consult the chart located on Page 5, (Fig. 3A) and Fig. 3 shown below. The roller adjusting knobs (A) and wheel adjusting levers (B) must be in positions shown for desired cutting height. **EXAMPLE:** for 1½" cutting height roller knob must be in No. 2 position, and wheel lever must be in No. 4 position. (Fig. 3 and Fig. 3A)
2. Place mower on hard, flat surface and tilt machine back on roller until wheels are off the ground. Move right hand wheel lever outward to disengage locating pin, then move lever forward or back until it is aligned with proper number on deck label. Release outward pressure on lever and be sure that locating pin seats properly in hole in end plate. Repeat this procedure on left hand side, position lever so that mower is level.
3. Tilt mower forward until roller is off the ground. Turn right hand roller knob counter clockwise 2 full turns and move knob up or down until alignment hole in roller bracket is in line with proper number on label at rear of end plate. (see illustration) Turn knob clockwise until tightened securely. Repeat this procedure for other side.



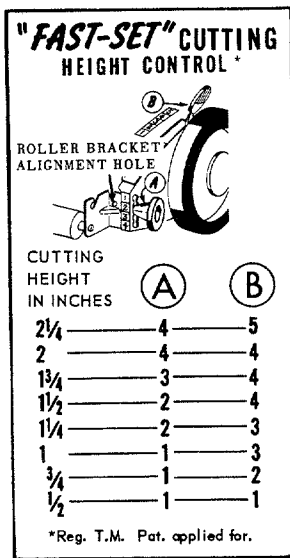


FIG. 3A

QUALITY OF CUT

Since a reel type mower does not create a lifting action like a rotary mower, it CANNOT lift up and cut tall blades of grass that are bent over. If cutting height is set too high, grass of this nature will not be in position to be drawn between the reel blades and cutter bar and in many cases will be pushed away by the revolving reel. Therefore, to obtain the utmost in performance and lawn appearance, cutting height ABOVE 1 1/2" IS NOT RECOMMENDED except where grass is upright and dense.

SERVICE INSTRUCTIONS

ALWAYS REMOVE SPARK PLUG WIRE BEFORE MAKING ADJUSTMENTS—NEVER MAKE ANY ADJUSTMENTS WITH ENGINE RUNNING.

Check your mower frequently to make sure all parts are operating smoothly. Your mower left the factory properly adjusted and properly lubricated to assure you of a smooth clean cutting job. Keep it clean. The mower should be thoroughly cleaned and lubricated at the start of each mowing season for better operation and longer service life.

DO NOT use water to clean the mower—use a broom or brush to remove grass and dirt. When storing mower for any length of time, follow storage instructions in engine instruction booklet.

CHECKING AND ADJUSTING CUTTER BAR CLEARANCE

When properly set, the cutter bar should almost contact the reel blades. Only on very fine grass should the reel blades touch the cutter bar, and then very lightly so that only a slight scraping noise is heard.

It's easy to check proper cutter bar clearance—just place a piece of newspaper about 2" wide and 6" long, between reel blades and cutter bar—See Step 2. Correct cutter bar clearance should pinch but not cut, the paper at both ends and the middle of the cutter bar. If it doesn't adjust as follows:

CUTTER BAR ADJUSTMENT

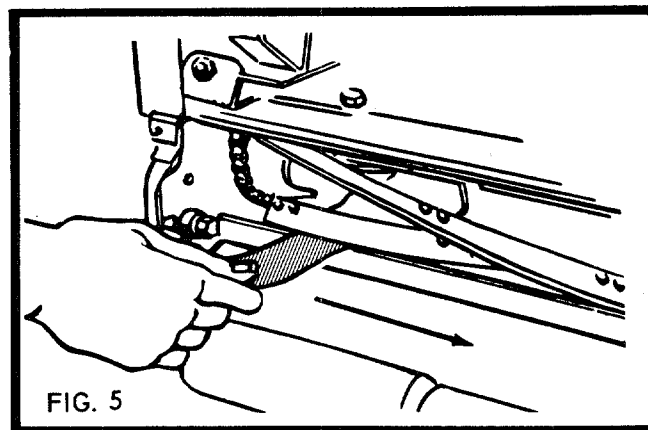
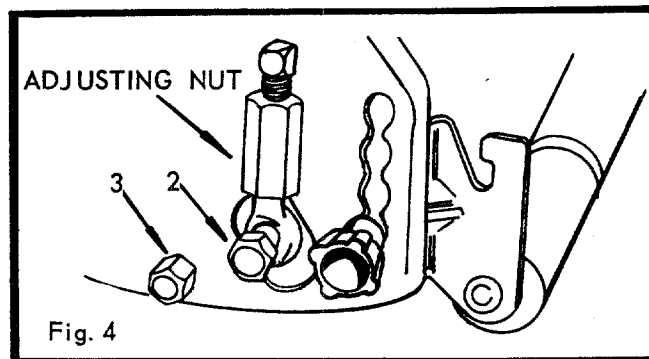
(Fig. 4) Cutter Bar bolts (2 & 3) are tapered and extend beyond the side plate slightly. When these tapered bolts are tight any end play or looseness is eliminated. Be sure these bolts are tight before making adjustments.

TO TIGHTEN CUTTER BAR

Turn hex adjusting nut counterclockwise.

TO LOOSEN CUTTER BAR

Turn hex adjusting nut clockwise.



REEL AND CUTTER BAR PAPER TEST

1. Insert strip of newspaper between cutter bar and reel blades.
2. Turn reel slowly backwards. If the paper is held snugly by each blade then adjustment is correct.
3. Adjust cutter bar so that reel blades pinch paper without cutting it.

SERVICE

1. Sharpening is required when the mower will not cut satisfactorily without the reel blades wiping on the cutter bar.

SEE PAGE 12 ON HOW TO OBTAIN SERVICE AND REPLACEMENT PARTS.

NOTE:

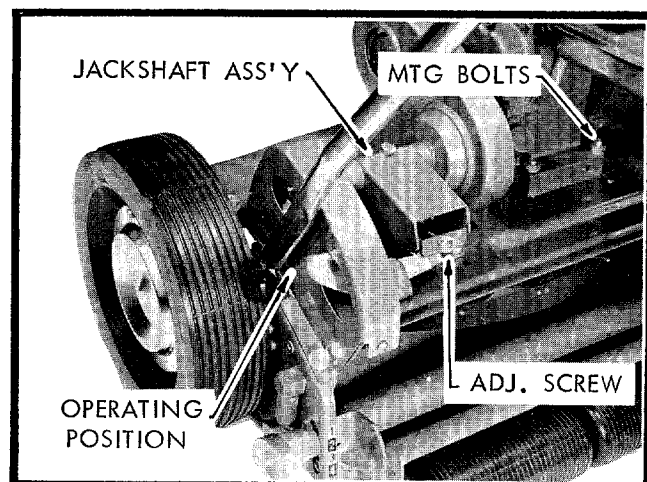
When cutter bar is removed for sharpening, left hand pivot bolt (Item 2 fig. 5) must be turned counterclockwise to be removed. Right hand pivot bolt on right hand side of mower must be turned clockwise.

IMPORTANT

Your mower has been designed with a stand-up handle (See instructions on Pg. 7). Make sure the mower handle is in the stand-up position before attempting the following adjustments.

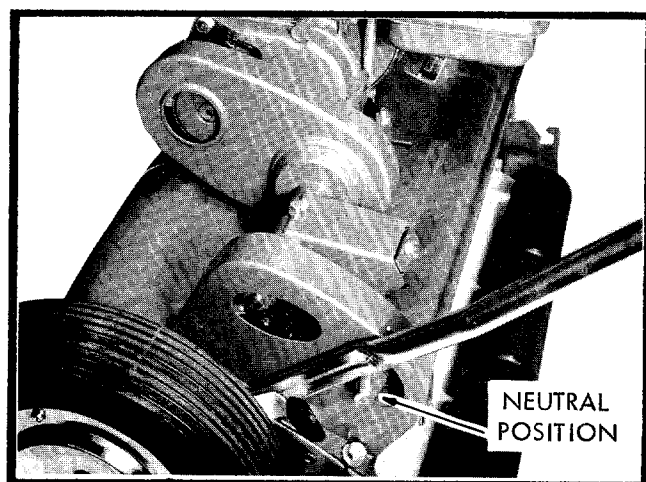
TO ADJUST CHAIN DRIVE

1. Loosen 4 engine mounting bolts and pull engine back.
2. Loosen 4 jackshaft mounting bolts and pull jackshaft assembly back to tighten chain. Allow $\frac{1}{8}$ inch of slack in the chain, tighten mounting bolts and nuts securely.
3. Pull engine forward until the belt is tight then tighten the 4 engine mounting bolts securely.



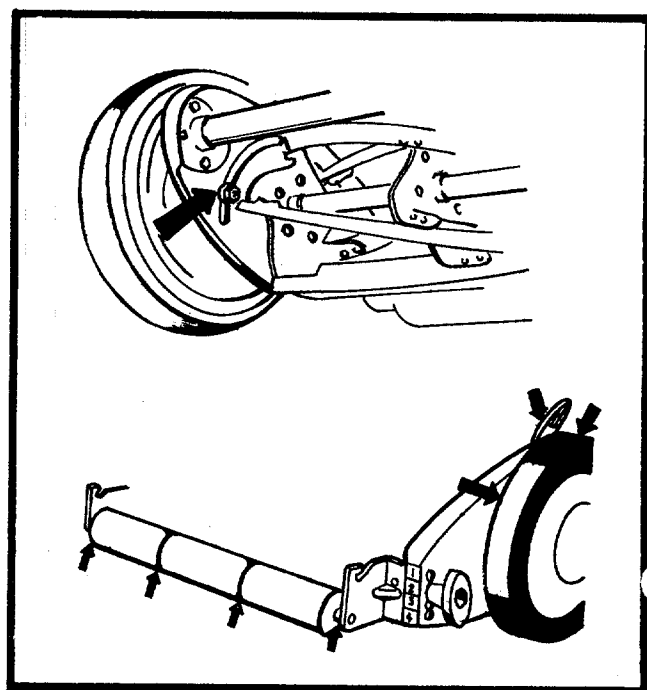
TO ADJUST BELT DRIVE

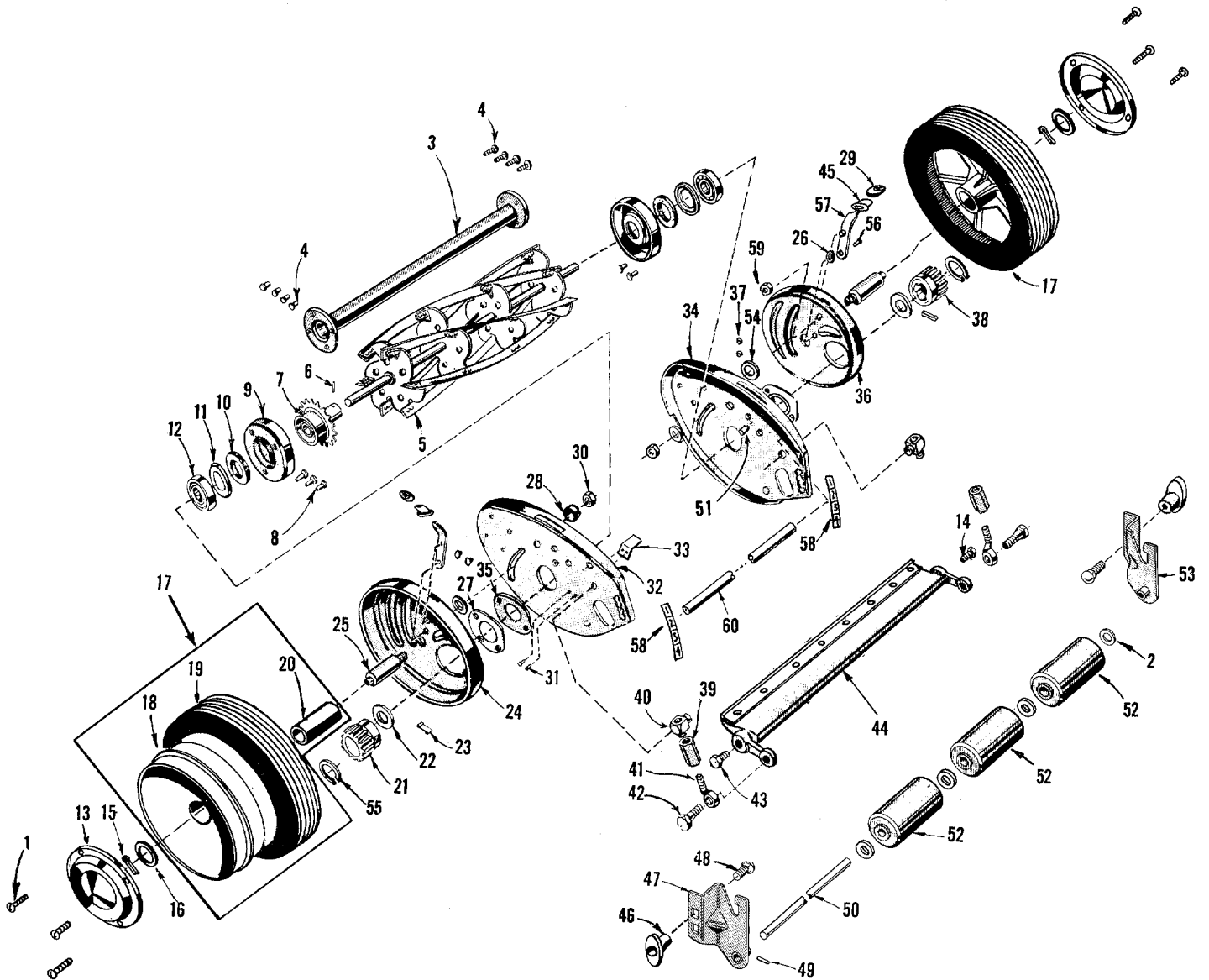
1. Check chain — if necessary adjust as described above (To Adjust Chain Drive).
2. If the chain does not need adjusting — loosen the 4 engine mounting bolts and with the handle in the stand-up position pull the engine forward until the belt is tight, then retighten the 4 engine mounting bolts securely.
3. Lower handle to neutral position. Disconnect spark-plug wire and fasten to the engine approx. 1-1/2 inches from the sparkplug. With a slow smooth motion pull the starter rope a few times — watching closely to see if the belt moves with the engine pulley. If the belt does move then a slight adjustment of one or two turns (counterclockwise) of the adjustment screw at the back of the jackshaft assembly must be made. **CAUTION:** Remember the handle must be in the stand-up position before making the adjustment.
4. Repeat Step 3 if necessary until a good disengagement of the belt (neutral position) is obtained, then while holding the adjustment screw — tighten the adjustment screw locknut.



LUBRICATION

1. Change engine oil (crankcase) after first 5 hours of operating. See engine operating instructions.
2. Check air cleaner frequently.
3. Reel bearings require no attention until mower is serviced.
4. Check jackshaft oiler cup frequently, oil at beginning of mowing season and as needed. Oil roller shaft once or twice a year or as needed.
5. Lightly lubricate with engine oil, points indicated on roller and between end plates and wheel dust covers. Periodic lubrication at these points will insure smooth mechanical operation.(Fig. 8)





ALL UN-NUMBERED PARTS
INTER-CHANGEABLE WITH
OPPOSITE SIDE.

PARTS LIST

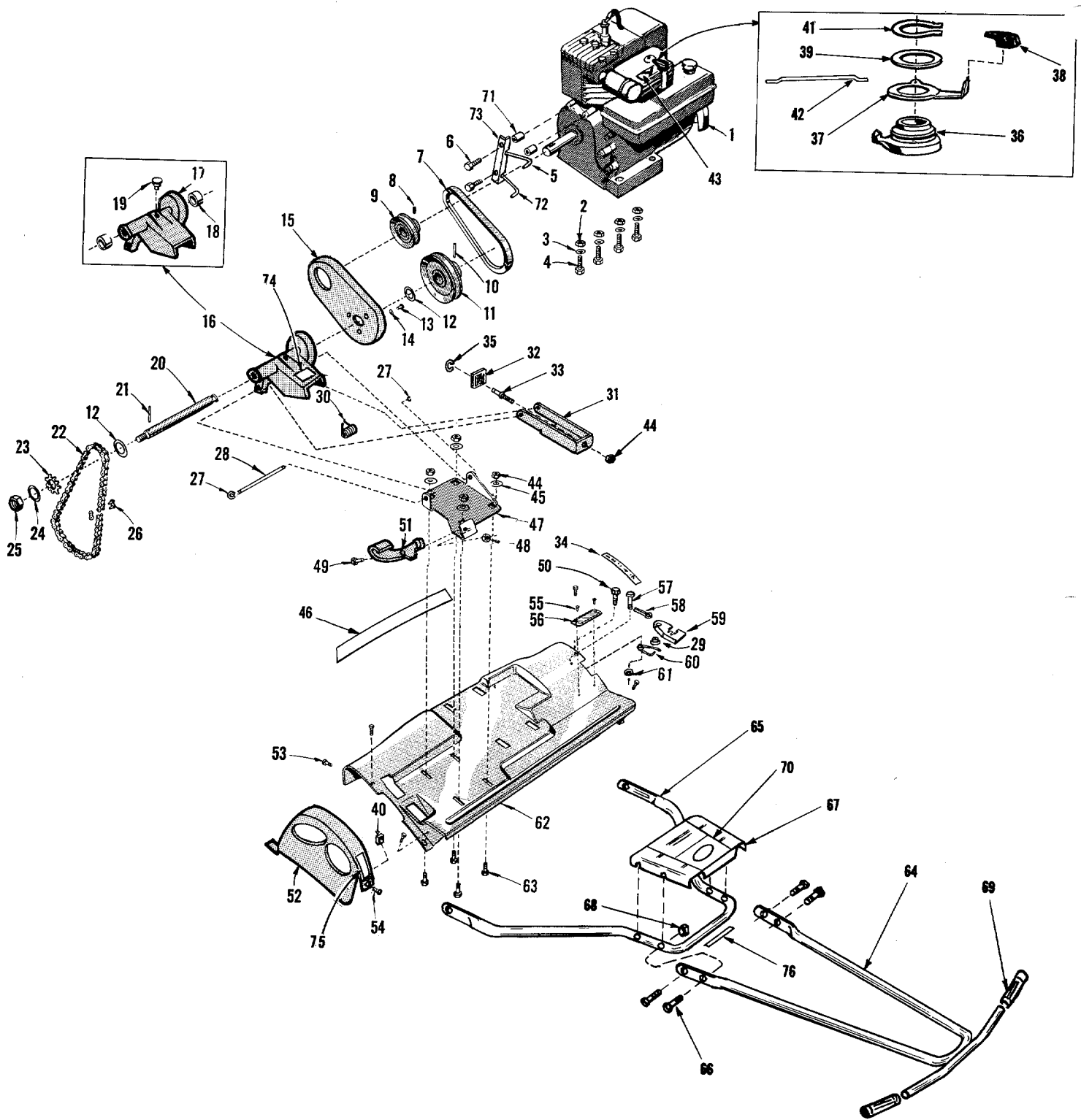
MODEL 10710-0

When ordering parts listed as L.H. or R.H.—determine the left or right hand side of your mower by standing behind the unit as you mow.

Do not use Reference Numbers when ordering Repair Parts, always use Part Numbers.

REF. NO.	PART NO.	NAME OF PART	REF. NO.	PART NO.	NAME OF PART
1	1511-18	Screw (10-32 x 5/8 Phillips)	31	1117	*Screw (10-32 x 3/8 Sems)
2	1540-59	Washer—Roller	32	1129-207-69	End Plate with Trunnions—L.H.
3	1112-19-69	Spacer Tube Assembly	33	1723-1	Scraper
4	1530-6	*Rivet (3/16 x 5/8)	34	1129-208-69	End Plate with Trunnions—R.H.
5	2135-21-69	Reel Assembly	35	1624-138	Spacer
6	1548-5	Rollpin	36	1118-8-55	Gear Housing—R.H.
7	2121-2-69	Sprocket, Anti-Wind Cup & Hub Ass'y	37	1657-23	Nylon Bushing
8	1530-20	*Rivet (3/16 x 13/32)	38	428	Pinion Gear—R.H.
9	1629-28	Retainer	39	1539-31	Nut
10	104	Felt Washer	40	1156-6	Trunnion
11	106	Felt Retainer	41	1513-40	Bolt
12	3	Bearing	42	453	Screw
13	2674-26	Hub Cap	43	455	Screw Cutter Bar—R.H. Thd.
14	1509-86	Screw Cutter Bar L. H. Thd.	44	3134-23-69	Cutter Bar Assembly
15	142	*Cotter Pin (1/8 x 5/8)	45	1622-50	Dust Cover
16	141	Washer	46	1643-23	Roller Adjust Knob
17	1108-95-40	Wheel and Tire Assembly	47	2132-44-69	Roller Bracket Assembly—L.H.
18	1110-30-40	Drive Wheel & Bearings Less Tire ..	48	1529-25	*Bolt (5/16-18 x 5/8)
19	2619-34	Tire	49	1548-7	Rollpin
20	1652-52	Bearing	50	1632-58	Roller Shaft
21	425	Pinion Gear—L.H.	51	1645-37	Trunnion
22	109	Felt Washer	52	2658-13	Roller
23	323	Pawl	53	2132-45-69	Roller Bracket Assembly—R.H.
24	1118-9-69	Gear Housing—L.H.	54	1540-43	Washer—Special
25	1631-26	Axle	55	1650-21	Retaining Ring
26	1540-55	Washer	56	1509-38	*Screw (#10-32- x 3/8 Hex Hd.)
27	1629-41	Retainer	57	1155-14	Spring & Trunnion Assembly
28	1657-19	Bushing	58	1616-119	Roller Adjust Label
29	2643-18	Knob—Wheel Adjust	59	1534-8	*Nut (10-32 Gripco)
30	41-028	Nut	60	2624-112-69	Spacer—End Plate

*Standard Hardware Item—Purchase Locally.



PRICE LIST

MODEL 10710-0

When ordering parts listed as L.H. or R.H.—determine the left or right hand side of your mower by standing behind the unit as you mow.

Do not use Reference Numbers when ordering Repair Parts, always use Part Numbers.

REF. NO.	PART NO.	NAME OF PART	REF. NO.	PART NO.	NAME OF PART
1		Engine—Briggs & Stratton Model 60102—Type 0136-01	38	2643-41	Knob—Throttle Control
2	70	*Nut (5/16-18 Hex)	39	1652-12	Wave Washer
3	1025	*Lock Washer (5/16)	40	1534-8	*Nut (10-32 Hex Lock)
4	1529-11	*Bolt (5/16-18 x 1 $\frac{3}{8}$ Carriage)	41	1650-36	Retaining Ring
5	1724-8	Keeper—Belt Upper	42	1625-24	Link—Throttle Control
6	1509-69	*Screw (1/4-20 x 1 $\frac{3}{4}$ Fillister Hd.)	43	1616-280	Label—Throttle Control
7	1651-20	"V" Belt (4L x 18")	44	67	*Nut (1/4-20 Hex)
8	1508-13	*Set Screw (5/16-24 x 7/32)	45	1018	*Lockwasher (1/4)
9	1626-40-69	Pulley	46	2616-493	Label—Deck
10	1548-11	Rollpin	47	3609-82-69	Bracket
11	2120-34-69	Pulley Assembly	48	41-028	*Nut (5/16-24 Hex Lock Gripco)
12	1540-17	*Washer (5/8 x 15/16)	49	1513-18	Bolt (5/16-24 Hex Shoulder Bolt)
13	1511-9	Screw (10-32 x 1/2 Sems)	50	1513-41	Bolt (5/16-24 x 3/4 Hex Hd.)
14	1540-55	Washer	51	2705-26	Lever
15	3639-51-69	Belt Guard	52	3639-48-69	Guard
16	2102-144-69	Jackshaft Housing, Bearings & Oiler Assembly	53	1513-8	*Bolt (5/16-24 x 1/2 Hex Hd.)
17	3601-122-69	Jackshaft Housing	54	117	*Screw (10-32 x 3/8 Phillips Hd.)
18	1652-1	Bearing	55	1020	*Screw (6 x 1/4 Rd. Hd.)
19	1691-2	Oiler	56	1605-563	Name Plate
20	1632-26	Jackshaft	57	1545-23	Clevis Pin
21	1546-2	Pin	58	1547-4	Cotter Pin
22	1654-2	Chain	59	2627-21	Latch
23	1638-16	Sprocket	60	2642-51	Spring
24	1036	Washer	61	1097	*Washer (3/16)
25	1538-16	Nut (7/16-20 Hex Jam)	62	5690-10-69	Deck
26	1113-13	Connector Link	63	1529-15	Bolt (1/4-10 x 5/8)
27	1650-10	Retaining Ring	64	4117-95-01	Handle—Upper Section
28	1547-3	Pin	65	3712-18-01	Handle—Lower
29	1624-122	Spacer	66	1509-22	Bolt (1/4-20 x 1 $\frac{3}{8}$ Hex Hd.)
30	1642-82-69	Spring	67	3622-126-69	Cover—Handle
31	2609-322-69	Bracket—Striker	68	1538-8	Nut (1/4-20 Hex Lock)
32	2624-164	Spacer—Adjust	69	1710-8	Grip—Handle
33	1511-36	Screw—Adjust	70	2616-492	Label—Handle Cover
34	1616-114	Label—Wheel Adjust	71	1624-69	Spacer
35	1650-37	Retaining Ring	72	1724-10	Lower Belt Keeper
36	2610-14	Adaptor	73	1606-48	Belt Keeper Bracket
37	2705-25-69	Lever—Throttle Control	74	1616-449	Label—(Neutral-Caution)
			75	1616-441	Label—(Drive-Neutral)
			76	1616-442	Label—Lower Handle

*Standard Hardware Item—Purchase Locally.

Free Manuals Download Website

<http://myh66.com>

<http://usermanuals.us>

<http://www.somanuals.com>

<http://www.4manuals.cc>

<http://www.manual-lib.com>

<http://www.404manual.com>

<http://www.luxmanual.com>

<http://aubethermostatmanual.com>

Golf course search by state

<http://golfingnear.com>

Email search by domain

<http://emailbydomain.com>

Auto manuals search

<http://auto.somanuals.com>

TV manuals search

<http://tv.somanuals.com>