

Operator's Manual

Mulch Kit Models

OEM-190-118

190-118-000

190-118-100

**For Lawn Tractors & Garden Tractors
with a 46-inch Deck**

MTD LLC, P.O. BOX 361131 CLEVELAND, OHIO 44136-9722

PRINTED IN U.S.A.

FORM NO. 770-10259D
(6/5/2007)

SECTION 1: TO THE OWNER

The Model 118 mulch kit is designed for use with 46-inch cutting decks on Lawn Tractors and Garden Tractors manufactured after 1996 ONLY. It will NOT fit on tractors made in 1996 or prior. If you should own such a tractor and would like to convert the deck to a mulcher, purchase kit 190-117-000/OEM-190-117. If you are unsure of the manufacturing date of your tractor, contact the Customer Support department at 1(800) 800-7310. Have your model number and serial number (located on the underside of the tractor seat) ready for prompt service.



IMPORTANT: The blades included in this kit are **NOT compatible** with the deck spindles found on *Cub Cadet* model **LT 1022** lawn tractors and can NOT be safely installed and used as part of this mulch kit. Contact your *Cub Cadet* dealer for more information on mulch kits for *Cub Cadet* lawn tractors.

NOTE: References to *LEFT* and *RIGHT* indicate the left and right sides of the tractor when facing forward in the operator's position. Reference to the *FRONT* indicates the grille end; to the *REAR* the drawbar end.

SECTION 2: CONTENTS OF CARTON

Before beginning installation, remove all parts from the carton to make sure everything is present. Carton contents are listed below. Part numbers are shown in parentheses.

One Mulch Plug	(731-05264)	One Plastic Wing Nut, 1/4"	(712-3087)
Two 16.28" 3-n-1 Blades	(742-0611A)	One Carriage Screw, 1/4"	(710-0134)
One 14.88" 3-n-1 Blade	(742-0612A)		

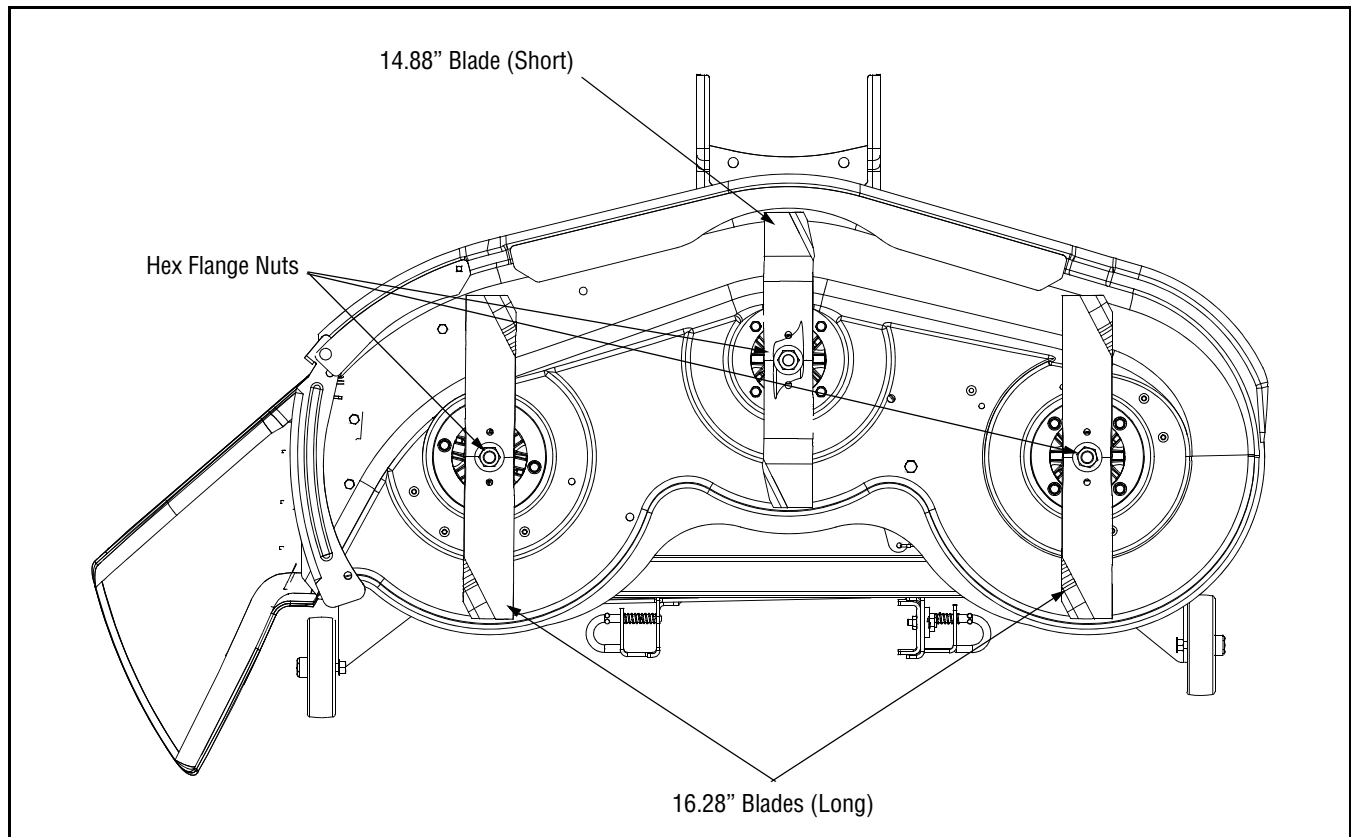


Figure 1

NOTE: Many tractors manufactured by MTD are equipped with 3-n-1 (mulching) blades from the factory. Compare the blades in this kit with the blades on your tractor's deck. If the blades appear to be identical and your tractor's blades are neither dull nor damaged, you may choose to postpone installing the blades included in this kit

SECTION 3: INSTALLATION



WARNING: Before beginning installation, place the tractor on a firm and level surface, set the parking brake, place the PTO in the disengaged (OFF) position, stop the tractor's engine and remove the ignition key to prevent unintended starting.



WARNING: Cutting blades are sharp. Always protect hands by wearing heavy leather work gloves to grasp blades.

Installing the Blades



IMPORTANT: The blades included in this kit are **NOT compatible** with the deck spindles found on *Cub Cadet* model **LT 1022** lawn tractors and can **NOT** be safely installed and used as part of this mulch kit. Contact your *Cub Cadet* dealer for more information on mulch kits for *Cub Cadet* lawn tractors.

1. Remove the cutting deck from beneath the tractor as instructed in your tractor's Operator's Manual, then gently flip the deck over to expose its underside,
2. Place a block of wood between the deck housing baffle and the cutting blade to act as a stabilizer, then use a wrench to remove the hex flange nut that secures each blade to its spindle assembly. Refer to Figure 2.

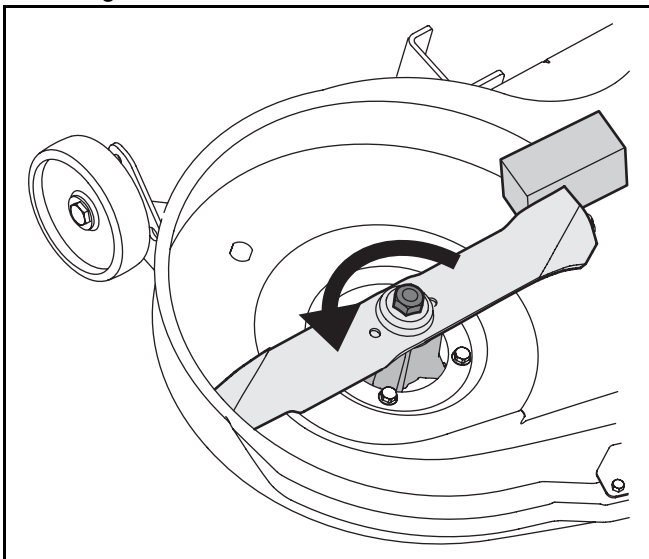


Figure 2

IMPORTANT: The hex flange nuts have a right-handed (normal) thread pattern. Do **NOT** attempt to force the nuts in the opposite direction. Doing so may damage the nut.

3. Replace the blades with the blades included in the kit. Be sure to install each blade with the side marked "Bottom" (or with a part number stamped in it) facing the ground when the mower is in the operating position. Be certain to mount the **SHORT BLADE** to the **CENTER SPINDLE**. Refer to Figure 1.

IMPORTANT: Use a torque wrench to tighten each blade spindle's hex flange nut to between 70 ft-lb and 90 ft-lb.

Inserting the Mulch Plug

1. Remove the carriage screw and plastic wing nut from the mulch plug.
2. Pivot the discharge chute upward as shown in Figure 3 and carefully insert the mulch plug into the discharge chute opening.
3. Reinsert the carriage screw down through the deck surface and mulch plug and secure it in place with the plastic wing nut removed earlier. See Figure 3.

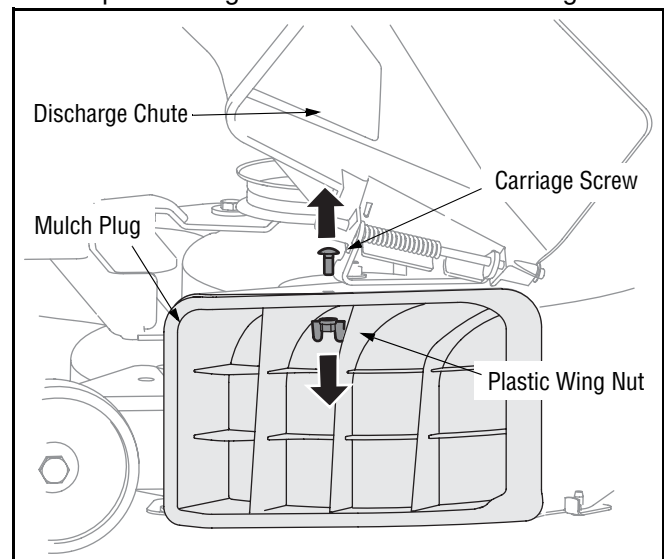


Figure 3

NOTE: It is **NOT** necessary to remove the discharge chute to operate the mower with the mulch kit installed. It is also unnecessary to change the mower blades should you choose to operate the mower without the mulch plug installed.

IMPORTANT: On older model decks where a square hole is *not* present to insert the carriage screw, mark the location with a drift and use a 3/8" drill bit to create a round hole in its place.

SECTION 4: OPERATION

This mulch kit incorporates special blades in a process of recirculating grass clippings repeatedly beneath the cutting deck. After which, the ultra-fine clippings are forced back into the lawn where they act as a natural fertilizer. Observe the following recommendations for the best results when mulching.

- ALWAYS operate the tractor with the throttle control in the FAST (rabbit) position while mulching
- Clear the lawn of all debris prior to mowing. Running over sticks, rocks, children's toys, etc. can damage the mulching blades and make them less effective. Such objects can also be thrown by the mower and cause serious personal injury or damage to surrounding property, even with the mulch plug in place.
- Never attempt to mulch if the lawn is damp. Wet grass tends to stick to the underside of the cutting deck preventing proper mulching of the clippings.
- Do NOT attempt to mulch more than 1/3 the total height of the grass or approximately 1-1/2 inches. Doing so will cause the clippings to clump up beneath the deck and not be mulched effectively.



WARNING: Do NOT under any circumstances attempt to mow through grass which exceeds ten inches in height. Debris may build up on the mowing deck and come into contact with belts and other moving parts or the engine's exhaust system presenting a potential fire hazard.

- Maintain a slow ground speed to allow the grass clippings more time to effectively be mulched.

Free Manuals Download Website

<http://myh66.com>

<http://usermanuals.us>

<http://www.somanuals.com>

<http://www.4manuals.cc>

<http://www.manual-lib.com>

<http://www.404manual.com>

<http://www.luxmanual.com>

<http://aubethermostatmanual.com>

Golf course search by state

<http://golfingnear.com>

Email search by domain

<http://emailbydomain.com>

Auto manuals search

<http://auto.somanuals.com>

TV manuals search

<http://tv.somanuals.com>