

OWNER'S MANUAL

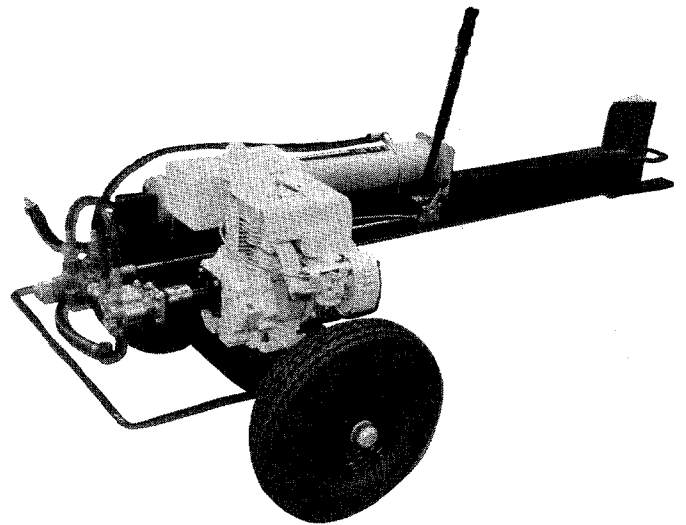
- ASSEMBLY
- OPERATION
- MAINTENANCE
- PARTS LIST

**Model No.
249-645A**

Important:

**Read Safety Rules and
Instructions Carefully**

**8 H.P. DELUXE
LOG SPLITTER**



LIMITED WARRANTY

For one year from the date of original retail purchase, MTD PRODUCTS INC will either repair or replace, at its option, free of charge, F.O.B. factory or authorized service firm, any part or parts found to be defective in material or workmanship. Transportation charges under this warranty must be paid by the purchaser unless return is requested by MTD PRODUCTS INC.

This warranty will not apply to any part which has become inoperative due to misuse, excessive use, accident, neglect, improper maintenance, alterations, or unless the unit has been operated and maintained in accordance with the instructions furnished. This warranty does not apply to the engine, motor, battery, battery charger or component parts thereof. Please refer to the applicable manufacturer's warranty on these items.

This warranty will not apply where the unit has been used commercially.

Warranty service is available through your local authorized service dealer or distributor. If you do not know the dealer or distributor in your area, please write to the Customer Service Department of MTD.

This warranty gives you specific legal rights. You may also have other rights which vary from state to state.

WARNING TO PURCHASERS OF INTERNAL COMBUSTION ENGINE EQUIPPED MACHINERY OR DEVICES IN THE STATE OF CALIFORNIA

The equipment which you have just purchased does not have a spark arrester. If this equipment is used on any forest covered land, brush covered land, or grass covered unimproved land in the State of California, before using on such land, the California law requires that a spark arrester be provided. In addition, spark arrester is required by law to be in effective working order. The spark arrester must be attached to the exhaust system and comply with Section 442 of the California Public Resources Code.

➔ IMPORTANT

It is suggested that this manual be read in its entirety before attempting to assemble or operate. Keep this manual in a safe place for future reference and for ordering replacement parts.

This unit is shipped WITHOUT GASOLINE or OIL. After assembly, see operating section of this manual for proper fuel and amount.

Your log splitter is a precision piece of power equipment, not a plaything. Therefore exercise extreme caution at all times.

SAFE OPERATION PRACTICES FOR LOG SPLITTERS

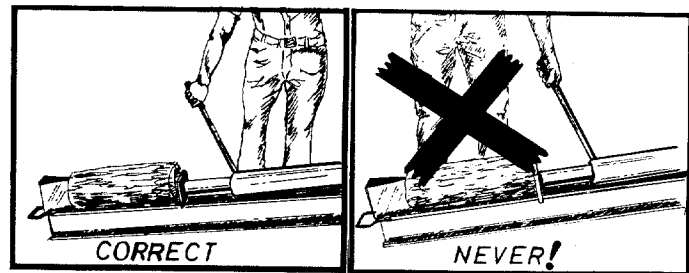
TRAINING

1. Know the controls and how to stop quickly--**READ THE OWNER'S MANUAL.**
2. Do not allow children to operate. Do not allow adults to operate it without proper instruction. Only persons well acquainted with these rules of safe operation should be allowed to use your log splitter.
3. Open doors if engine is run in garage--exhaust fumes are dangerous. Do not run engine indoors.
6. Always operate the log splitter from the engine side of the beam.

PREPARATION

1. Do not wear loose fitting clothing that could get caught on the moving parts.
2. Do not operate equipment when barefoot or wearing open sandals. Always wear substantial footwear.
3. Check the fuel before starting the engine. Do not fill the gasoline tank indoors, when the engine is running, or while the engine is still hot. Wipe off any spilled gasoline before starting the engine.
4. Use only in daylight or in good artificial light.
5. Never operate the equipment in the rain. Always be sure of your footing.

Stand behind the ram when operating. See drawings.



OPERATION

1. Do not change the engine governor settings or overspeed the engine. Excessive engine speeds are dangerous.
2. Do not put hands or feet near rotating or moving parts.
3. If the equipment should start to vibrate abnormally, stop the engine and check immediately for the cause. Vibration is generally a warning of trouble.
4. When cleaning, repairing or inspecting, make certain all moving parts have stopped. Disconnect the spark plug wire, and keep the wire away from the plug to prevent accidental starting.

Handle gasoline with care--it is highly flammable.

- A. Use approved gasoline container.
- B. Never remove cap or add gasoline to a running or hot engine or fill fuel tank indoors. Wipe up spilled gasoline.

7. Be careful not to touch the muffler after the engine has been running, it is **HOT**.

MAINTENANCE and STORAGE

1. Keep all nuts, bolts, screws, hose clamps and hydraulic fittings tight to be sure equipment is in safe working condition.
2. Never store the equipment with gasoline in the tank inside of a building where fumes may reach an open flame or spark. Allow the engine to cool before storing in any enclosure.
3. To reduce fire hazard keep engine free of grass, leaves, wood chips, excessive grease and oil.
4. Do not change the engine governor settings or overspeed the engine. Excessive engine speeds are dangerous.
5. Never store outside without a waterproof cover. Rain will cause rust on the inside of the cylinder.

TOOLS REQUIRED:

- (1) Raw Hide or Plastic Hammer
- (1) 1-1/8" wrench or adjustable wrench
- (2) 1/2" wrenches
- (1) Standard screw driver
- (1) 3/4" wrench
- (2) 7/16" wrenches

OTHER MATERIALS NEEDED:

- (A) One gallon of regular grade gasoline (for engine)
- (B) 2-3/4 pints of SAE 30 or 10W oil (for engine)
- (C) 2-1/2 gallons of 10W 30 H.D. oil only (for Log Splitter).
- (D) Cleaning rag
- (E) Automotive grease
- (F) Funnel
- (G) Hydraulic sealant tape (for pipe threads)

LIST OF CONTENTS IN HARDWARE PACK:

See figure 1.

- A. (2) Spacers
- B. (2) Tapered roller bearings
- C. (2) Hex castle nuts 3/4-16 thread
- D. (2) Cotter pins 5/32" Dia. x 1.00" long
- E. (2) Hub Caps
- F. (1) Hose clamp
- G. (2) Hex self tapping screws #8x .50" long
- H. (4) Hex screws 5/16-24 x 1.00" long
- I. (4) Lockwashers 5/16" Scr.
- J. (4) Hex nut 5/16-24 thread
- K. (1) Shoulder bolt
- L. (1) Flat washer
- M. (1) Hex screw 1/4-20 x 1.25" long
- N. (2) Hex Nut 1/4-20 thread
- O. (1) Ferrule
- P. (1) Hair pin cotter
- Q. (1) Hex lock nut 5/16-18 thread

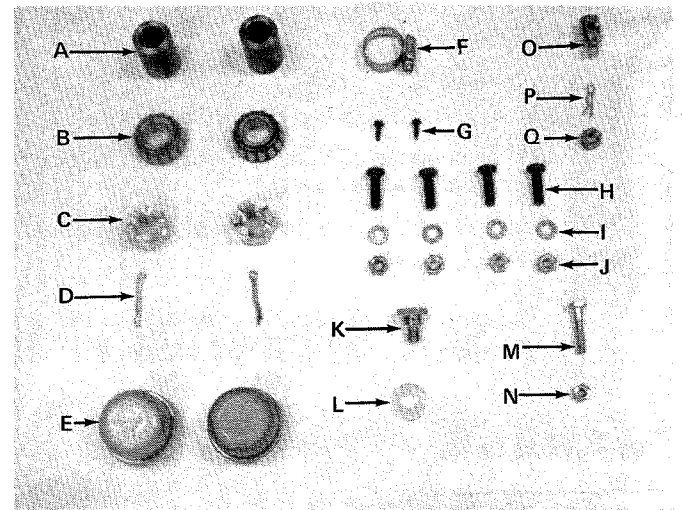


FIGURE 1

Your Log Splitter is shipped in two cartons.

1. Remove the engine (with frame), two wheels, engagement rod, engagement handle, hose and hardware pack. See figures 1 & 2.
2. Remove the beam assembly from the other carton.

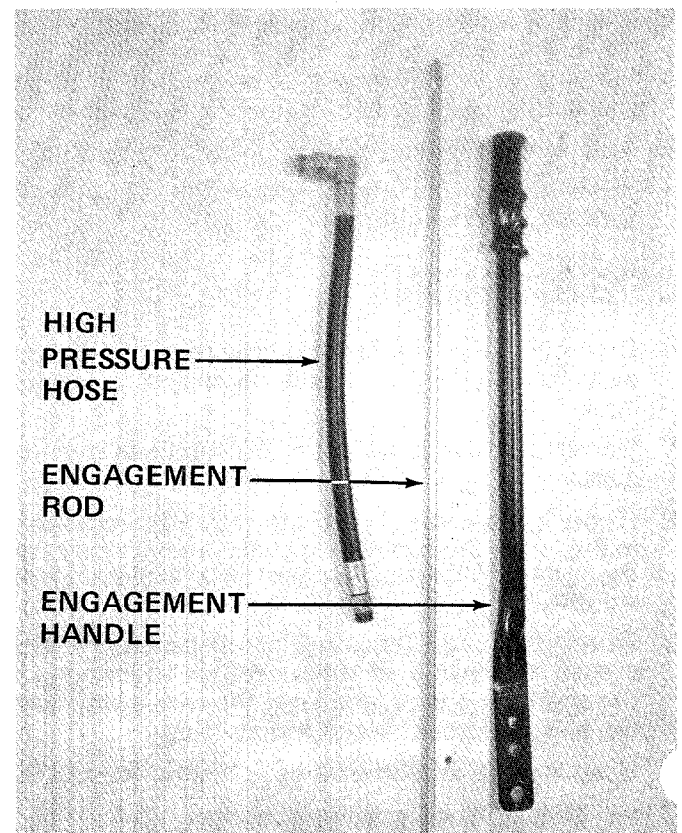


FIGURE 2

ASSEMBLY INSTRUCTIONS

1. Pack the tapered roller bearings with automotive grease.



Do Not put any grease in the hub caps.

2. Place one spacer (A) on axle, next one wheel, and tapered roller bearing (B). See figure 3.

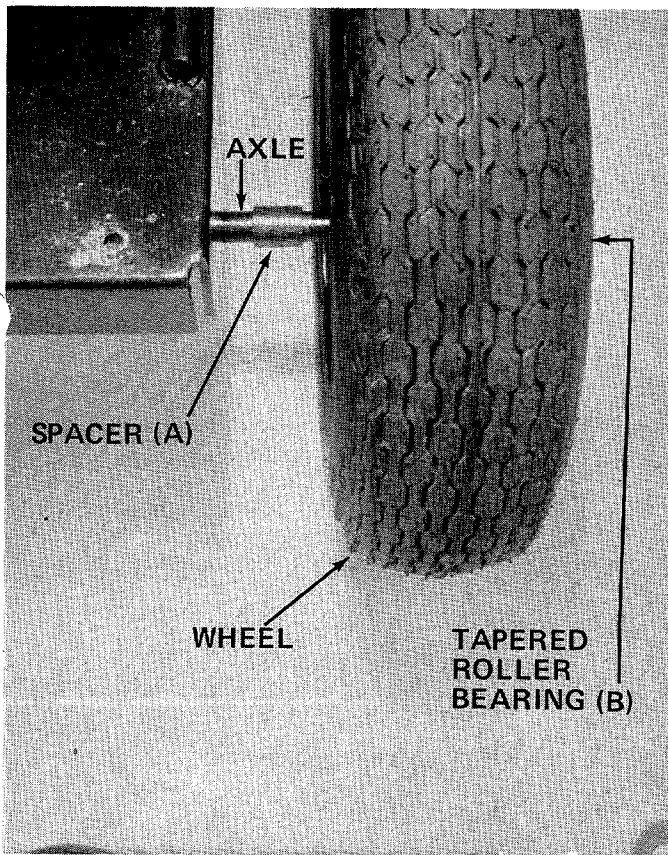


FIGURE 3

3. Thread hex castle nut (C) on axle. Tighten castle nut until snug, back off approximately 1/3 turn or until one of the slots on the castle nut lines up with hole in axle. Secure castle nut to axle with cotter pin (D). See figure 4.

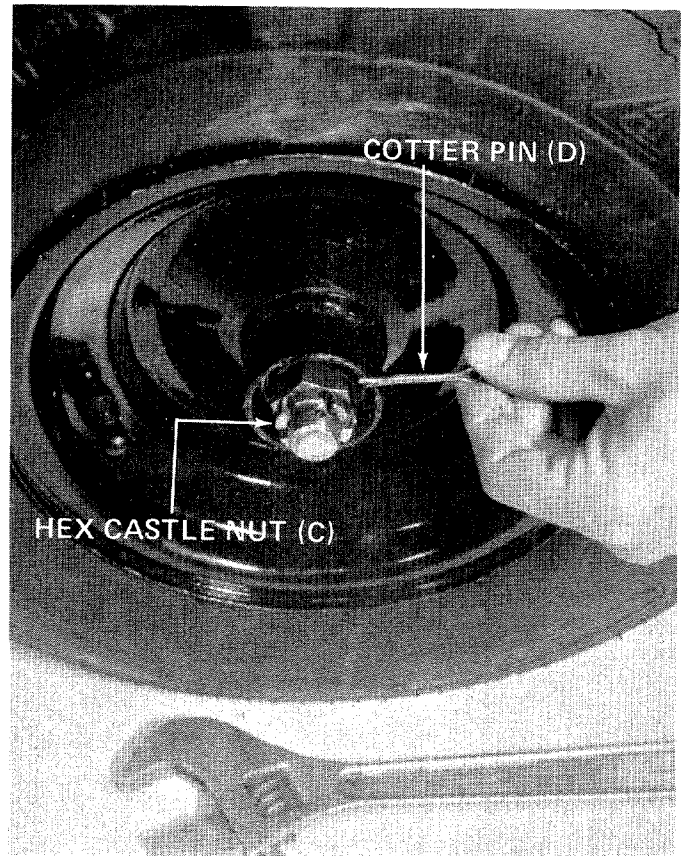


FIGURE 4

4. Place hub cap (E) in position on wheel and tap on with a plastic hammer. See figure 5.

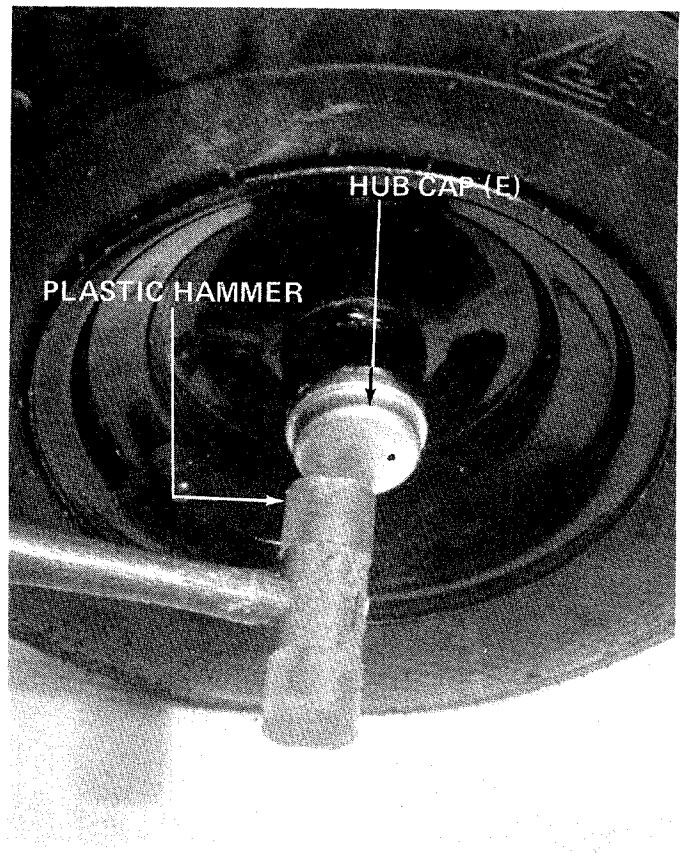


FIGURE 5

5. Repeat steps 1 through 4 for the second wheel.
6. With help from another person, place beam assembly on frame and line up four holes, secure with four hex screws (H), lock washers (I) and hex nuts (J). See figure 6. Two 1/2" wrenches or socket is required.

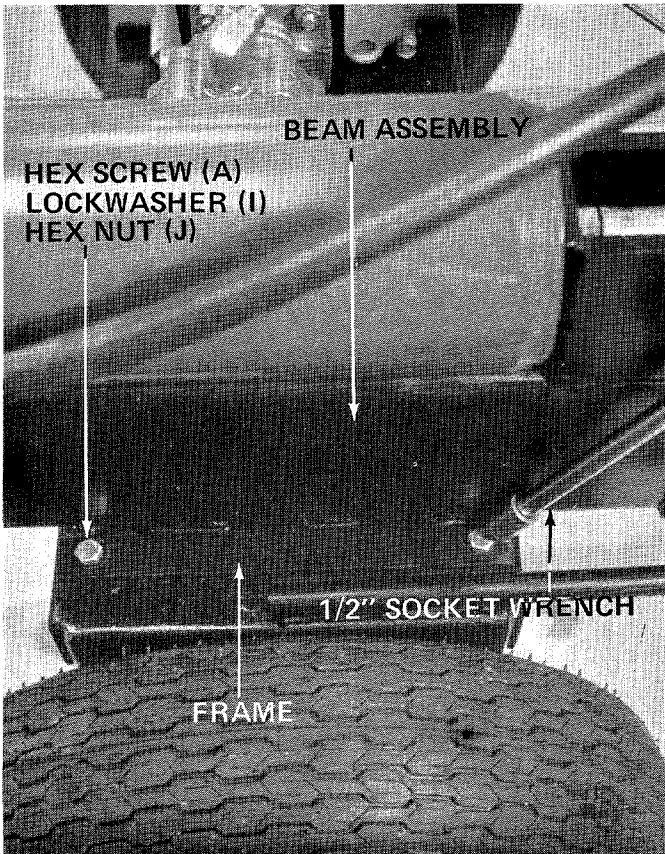


FIGURE 6

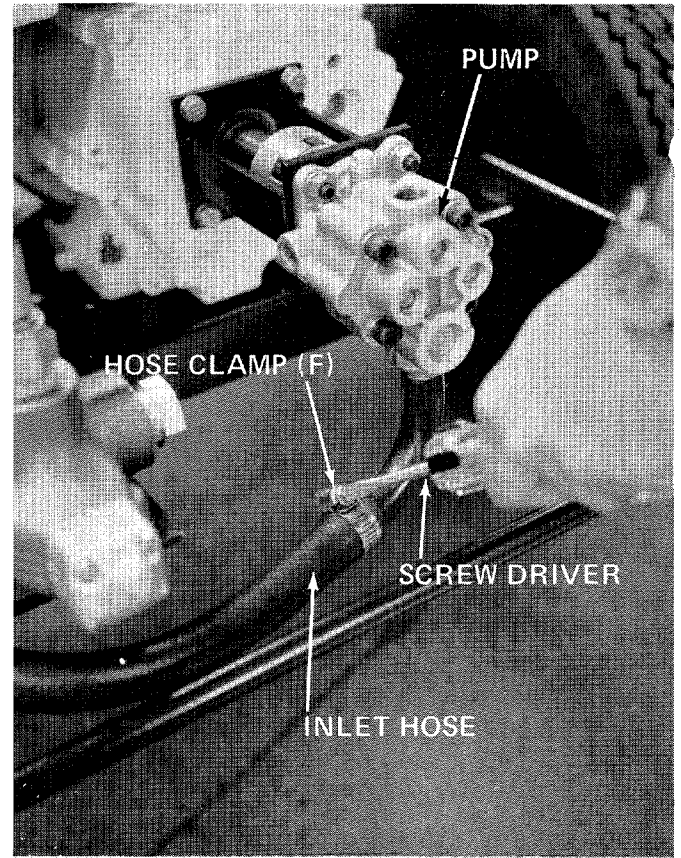


FIGURE 7

7. Secure the inlet hose to the pump with hose clamp (F), provided in hardware pack. A standard screwdriver is required. See figure 7.
8. Assemble the high pressure hose to the pump. A 1-1/8" wrench or adjustable wrench is required. See figure 8.

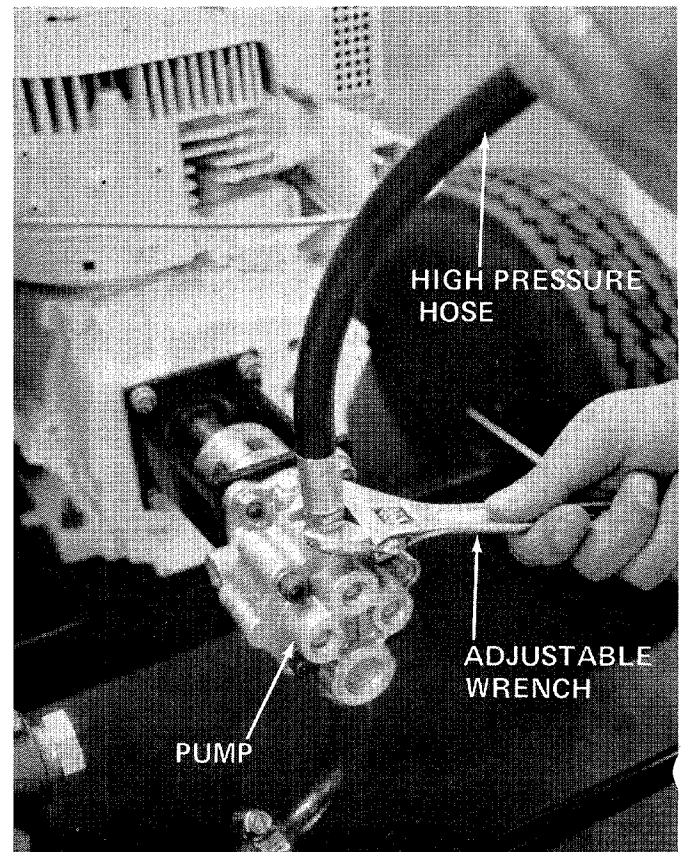


FIGURE 8

NOTE

Use hydraulic sealant tape or pipe sealant on threads.

9. Secure the other end of high pressure hose to valve. A 3/4" wrench is required. See figure 9.



Use hydraulic sealant tape on threads.

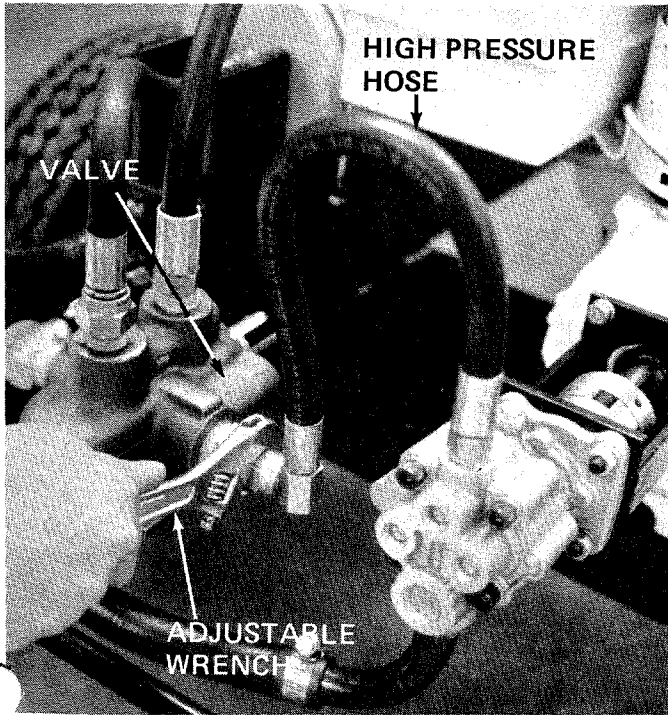


FIGURE 9

10. Assemble the engagement handle to the beam assembly using shoulder bolt (K) and flat washer (L). A 3/4" wrench is required. See figure 10.

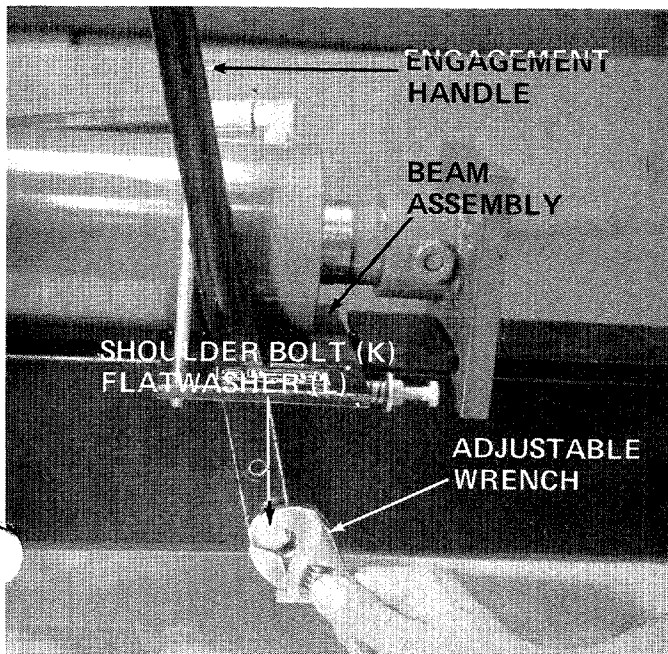


FIGURE 10

11. Place end of engagement rod on valve spool and secure with hex screw (M) and hex nut (N). See figure 11.

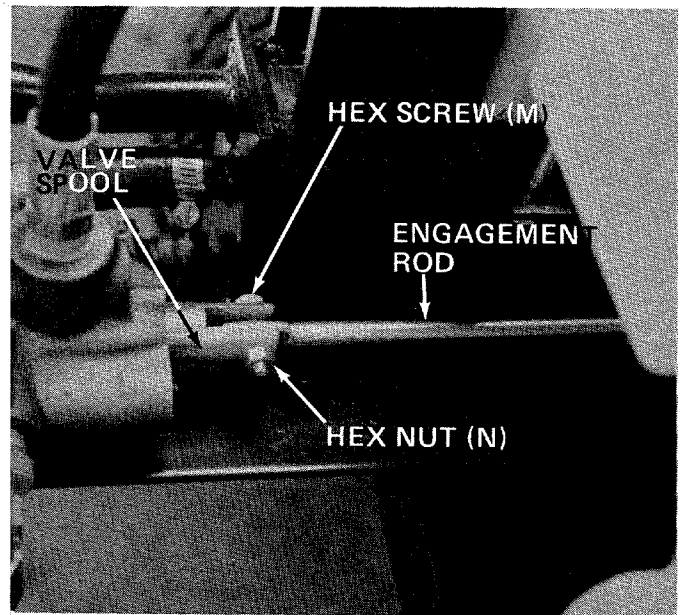


FIGURE 11

12. Thread ferrule (O) on engagement rod so there is approximately 1/2" of thread showing. Engagement handle must be at 90° to beam. Insert ferrule into engagement handle. See figure 12.



Engagement handle locked in reverse position must depress valve spool to limit.

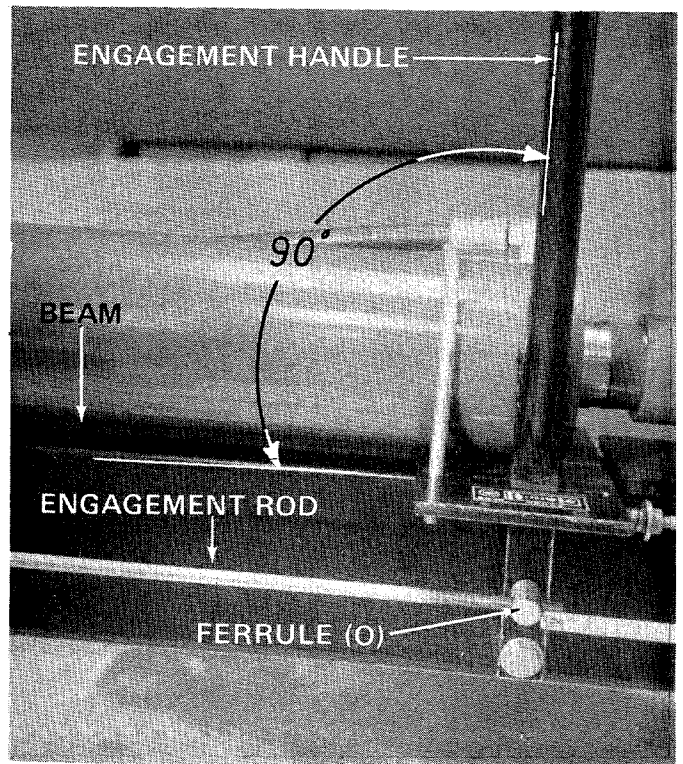


FIGURE 12

13. Thread hex lock nut (Q) on engagement rod until nut rest against the ferrule. Secure ferrule in engagement handle with cotter pin (P). See figure 13.

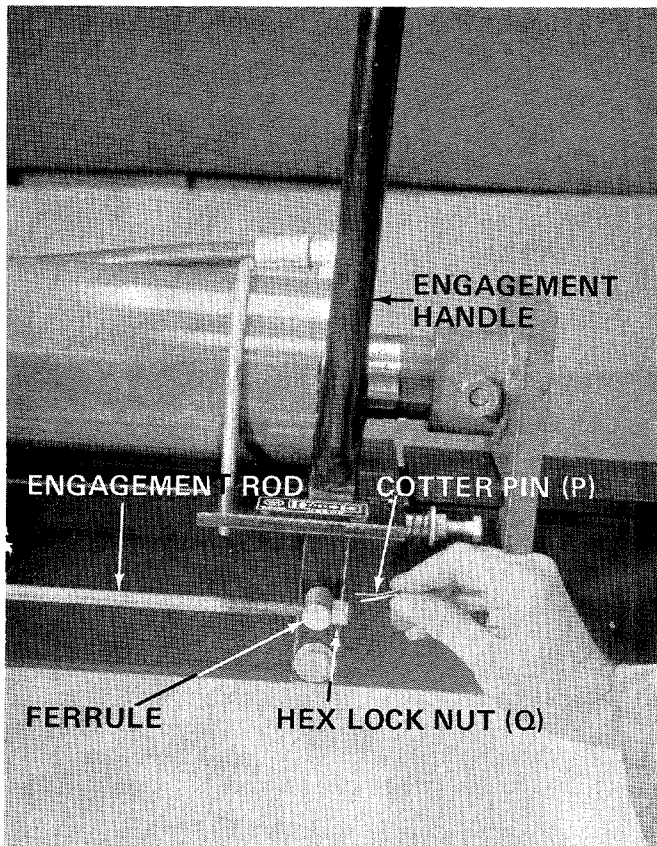


FIGURE 13

- 14: Place the throttle control in position on beam assembly and secure with two self tapping screws (G). A standard screw driver is required. See figure 14.

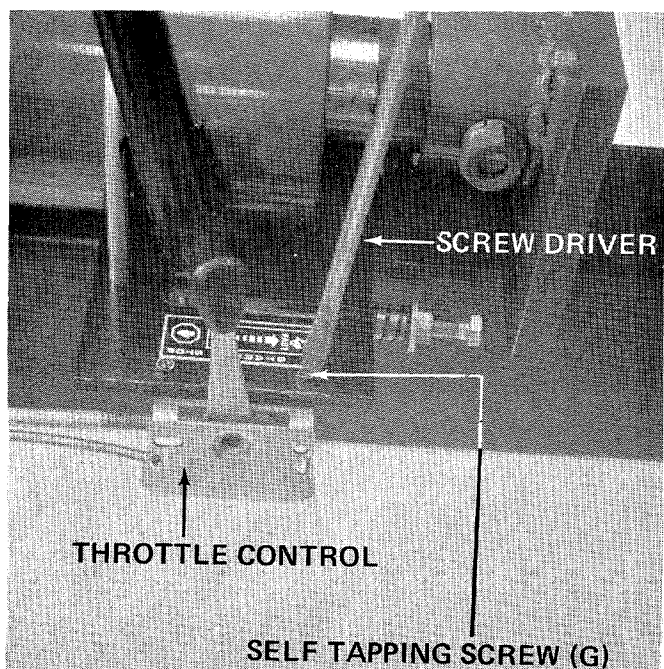


FIGURE 14

OPERATION

1. Service engine with gas and oil. See engine manual packed with log splitter for complete instructions for the care and maintenance of engine. **READ DIRECTIONS CAREFULLY.**
2. Fill fuel tank with one gallon of regular grade gasoline. See figure 15.
3. Engine will require 2-3/4 pints of SAE 30 or 10W30 oil. Remove oil dipstick. See figure 15.

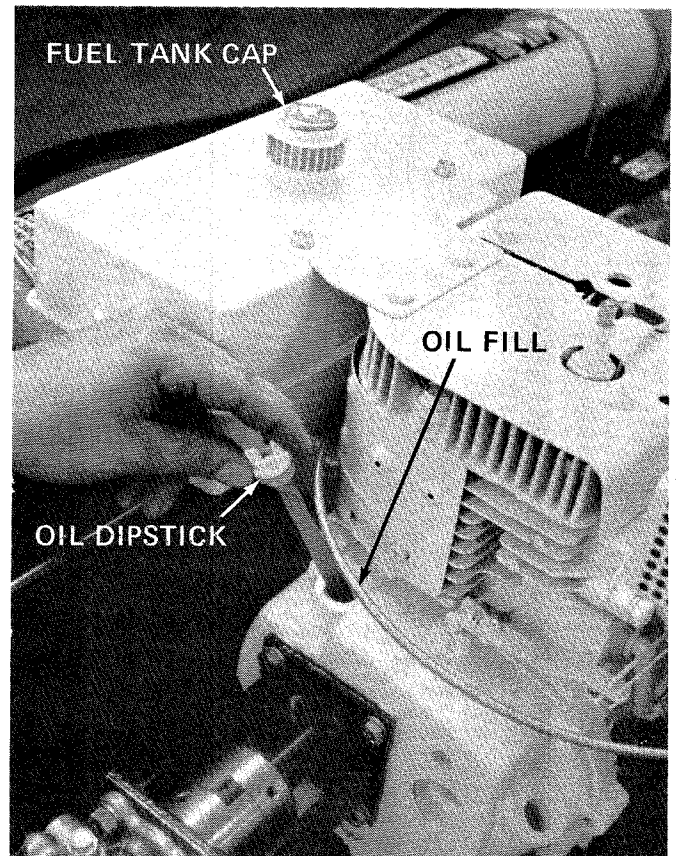


FIGURE 15



You must not operate log splitter without proper amount of oil in reservoir tank. (Beam)

5. Remove the breather plug from breather tube. See figure 16. Pour 2-1/2 gallons of 10W30 H.D. oil **ONLY** into breather tube.

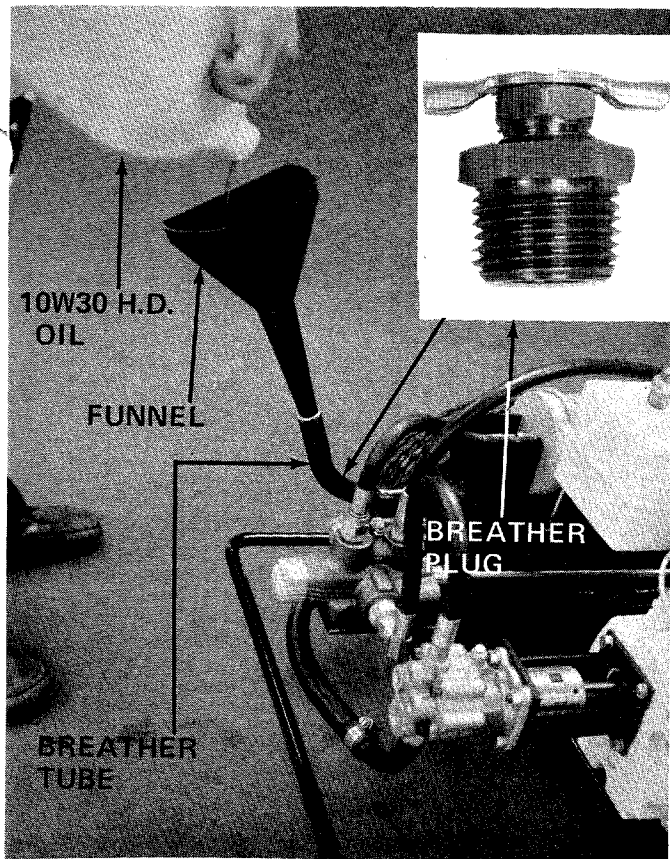


FIGURE 16

BEFORE STARTING ENGINE:

During initial break-in period, oil level should be watched closely. See ENGINE MAINTENANCE.

Use MS classification oil. Do not use oils marked only MM or ML or unmarked.

Above 32° use SAE 30; below 32° use SAE 10W. These recommendations must be followed for best performance and long life.

Change oil first two (2) hours of operation and check oil level every five (5) operating hours or each time equipment is used.

Change oil every twenty-five (25) operating hours or sooner if equipment is operated in extremely dusty or dirty conditions.

LOG SPLITTER:

The oil in the reservoir should be changed every (100) hours of operation.



NOTE

Carburetors are preset at the factory. DO NOT attempt to make adjustments at this time. See carburetor instructions outlined under CARBURETOR ADJUSTMENT in Engine Manual.

The ram should take approximately 30 seconds to make a complete cycle. This speed may vary depending on throttle setting and temperature of oil.

TO START ENGINE

1. Place throttle control lever (on beam) in run position. See figure 17.
2. Move choke lever to CHOKE position. See figure 18.

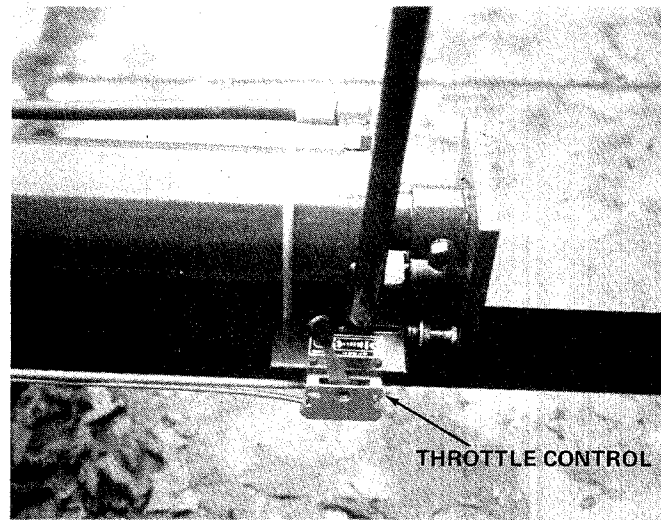


FIGURE 17

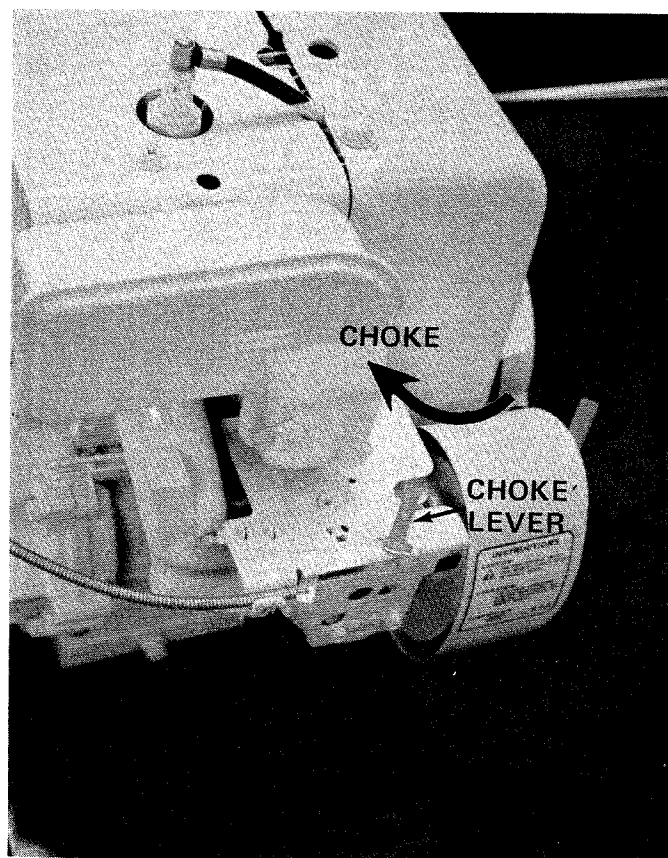


FIGURE 18

- Open the breather valve. Valve must be open when running log splitter. Valve must be closed when transporting log splitter. See figure 19.

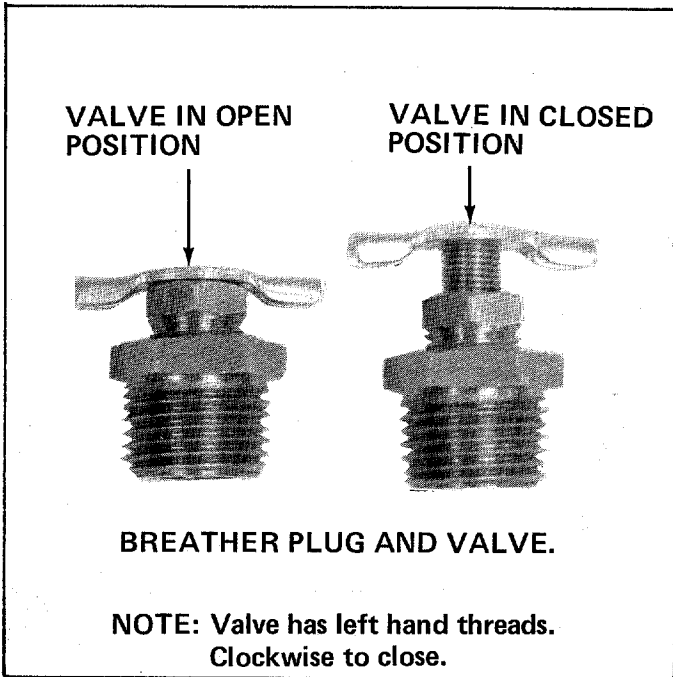


FIGURE 19

- Rewind starter — place one foot on wheel and with a quick full arm stroke, keep firm grip on handle and return rope slowly. See figure 20.

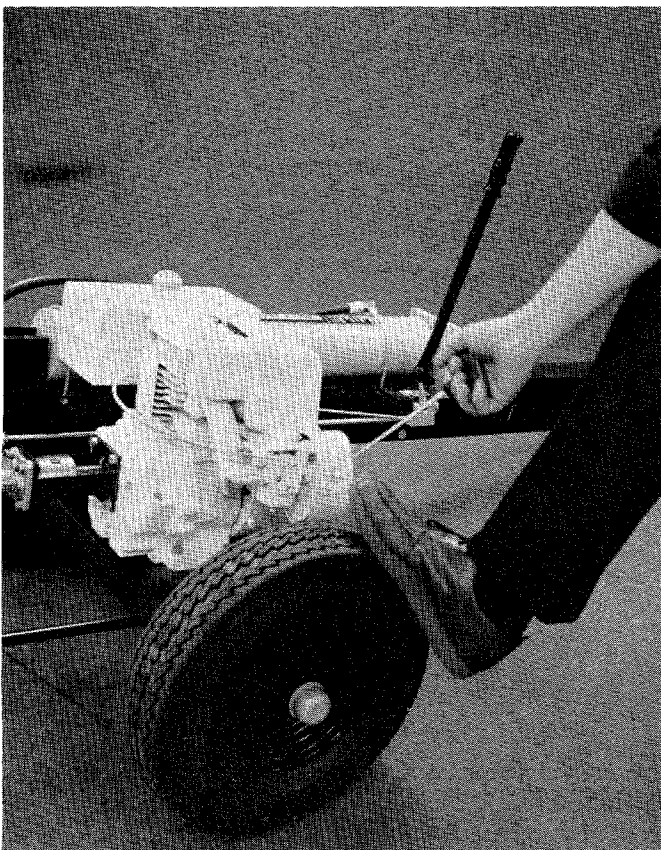


FIGURE 20

TO STOP ENGINE

- Move throttle control lever to STOP position. See figure 17.
- Remove high tension wire from spark plug to prevent accidental starting by children while equipment is unattended.

USING YOUR LOG SPLITTER

Your log splitter is designed for safe, efficient, operation. CARE, OF COURSE, MUST BE EXERCISED THAT HANDS ARE KEPT AWAY FROM MOVING PARTS.

- Set throttle at maximum speed.
- Engagement handle has three positions: Forward—moves ram toward wedge. Neutral—ram stops in place. Reverse—ram returns. See figure 21.

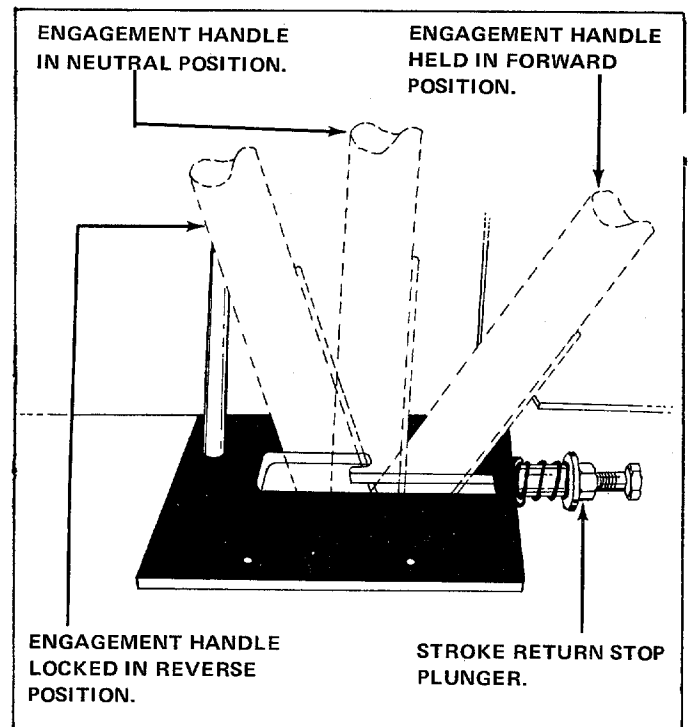


FIGURE 21

- Maximum length that can be split is 24".
- Place log on beam and hold in place with right hand. See figure 22.

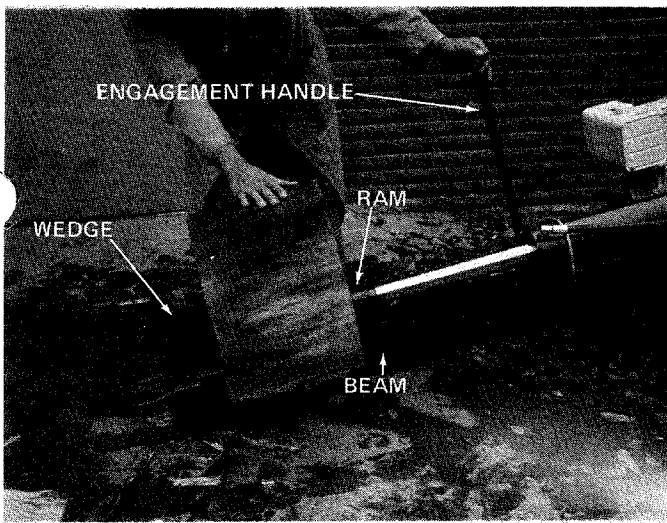


FIGURE 22

- E. Slowly move engagement handle forward until ram rests against log. Release engagement handle (Neutral).
- F. Remove your hand from the log and step behind the ram. See figure 23.

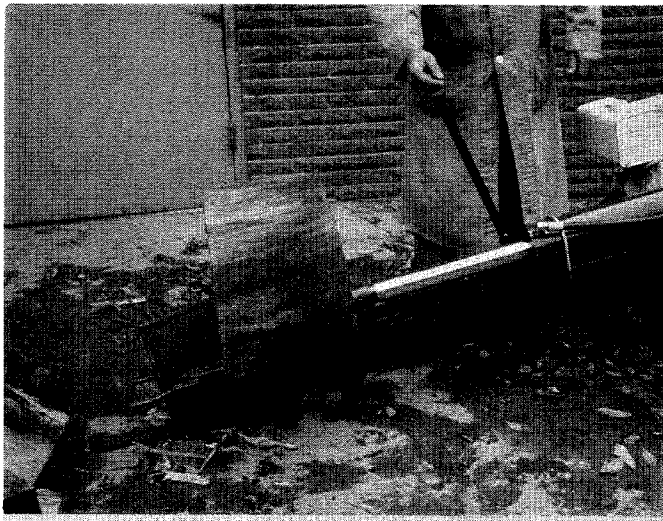


FIGURE 23

- H. Move engagement handle forward until log is split.
- H. Move the engagement handle to the rear to return ram.



If you lock the engagement handle in the reverse slot, the ram will return until it hits the return stroke stop plunger, which will throw the engagement handle into neutral automatically.



Never attempt to cut a log in half with the log splitter. See figure 24.

Never stand next to the ram when operating. See figure 25. Always stand behind the ram.

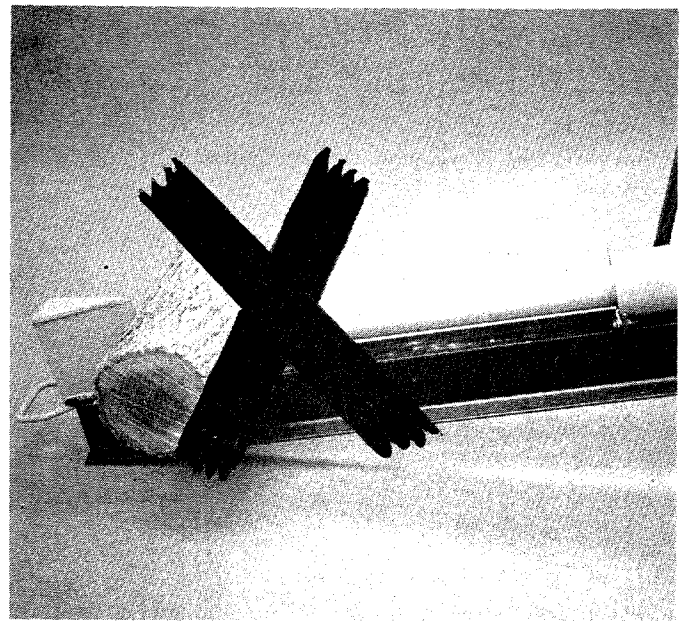


FIGURE 24



FIGURE 25

MAINTENANCE and ADJUSTMENTS



WARNING

Always stop engine and disconnect spark plug wire before doing any maintenance.

RAM OPERATION

If the ram does not move smoothly, run the ram its full stroke several times to clear out air in the system. Be sure the breather valve is open.

If this does not correct the problem see strainer tube assembly paragraph.

TIRE PRESSURE

FOR SHIPPING PURPOSES, THE TIRES ON YOUR UNIT MAY BE OVER-INFLATED. TIRE PRESSURE SHOULD BE REDUCED BEFORE UNIT IS PUT INTO OPERATION. RECOMMENDED PRESSURE SHOULD BE APPROXIMATELY 15 P.S.I. EQUAL TIRE PRESSURE SHOULD BE MAINTAINED ON ALL TIRES. MAXIMUM TIRE PRESSURE IS 30 P.S.I.



CAUTION

Installation of tire to rim:

1. Lubricate tire beads and rim flanges.
2. Do not exceed 30 P.S.I. when seating beads.
3. Adjust to recommended pressure after beads are sealed.

STROKE RETURN STOP PLUNGER

If the engagement handle does not return to neutral (from reverse) before the pressure relief bypass opens, loosen the hex locknut, back out hex bolt one or two turns. See figure 26.

Tighten hex locknut and operate log splitter. Repeat if necessary.

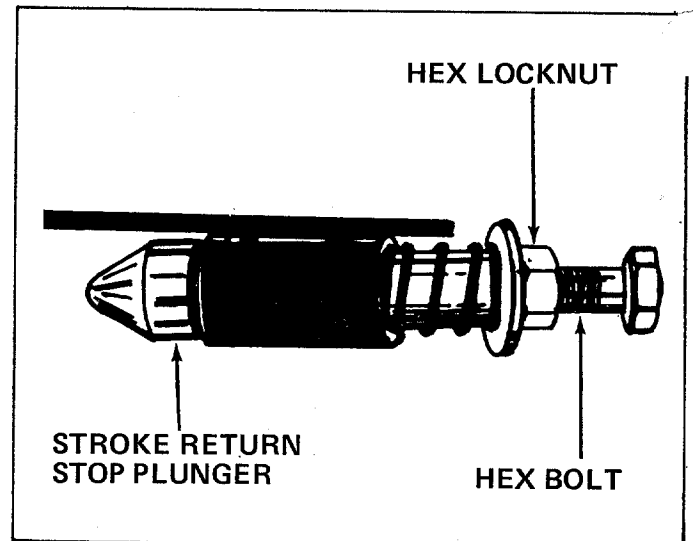


FIGURE 26



NOTE

When the pressure relief valve opens a loud high pitched sound is heard and engine labors.

HOSE CLAMPS

Check the hose clamps on the bottom of the pump for proper tightness before each use.

Hose clamps on the return hose should be checked once a season.

STRAINER TUBE ASSEMBLY

If the ram does not move back and forth smoothly the strainer tube assembly may be clogged.

To clean follow these steps.

1. Remove the hose clamp at inlet hose (bottom hose on rear of beam).



NOTE

Be prepared to catch oil in some container.

2. Pull off inlet hose from strainer tube assembly and catch oil in a suitable container. See figure 27.

3. With an adjustable wrench remove the strainer tube assembly. See figure 27.

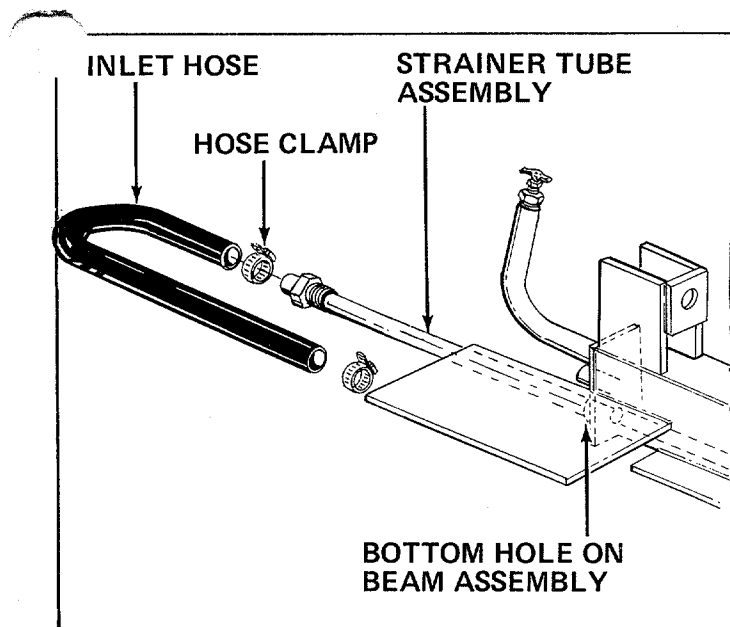


FIGURE 27



NOTE

The strainer tube assembly is 53" long.

4. Clean and reassemble using a hydraulic pipe sealant on the threads.

PRESSURE RELIEF VALVE SETTING

If the pressure relief valve is set too low it will open up before enough pressure is built up to properly operate the ram. See figure 28.

TO SET THE PRESSURE RELIEF VALVE

1. Have someone place a log crossways in the Splitter and allow the Ram to push against it with the engine running wide open.

If the engine begins to lug down, the Relief Valve setting is correct.

3. If adjustment is necessary, tighten the screw until the engine begins to lug down.

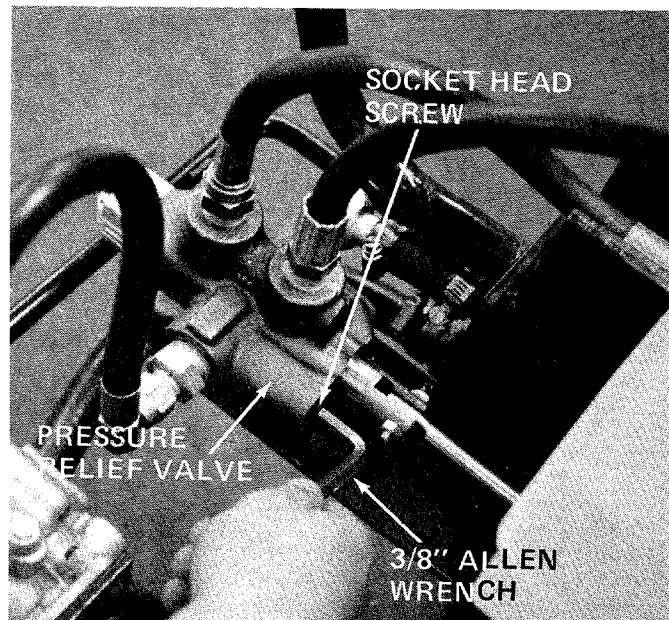


FIGURE 28

Check oil in log splitter reservoir before every use. See figure 29.

1. Block up front of log splitter so beam is setting level.
2. Remove check pipe plug in rear of beam. See figure 29. If oil starts to come out of check pipe plug hole oil level is correct. IF NOT add oil to breather tube (figure 16) unit oil starts out.



NOTE

Use hydraulic sealant tape or pipe sealant on pipe plug threads.

3. Replace check pipe plug, remove block from under front of beam.

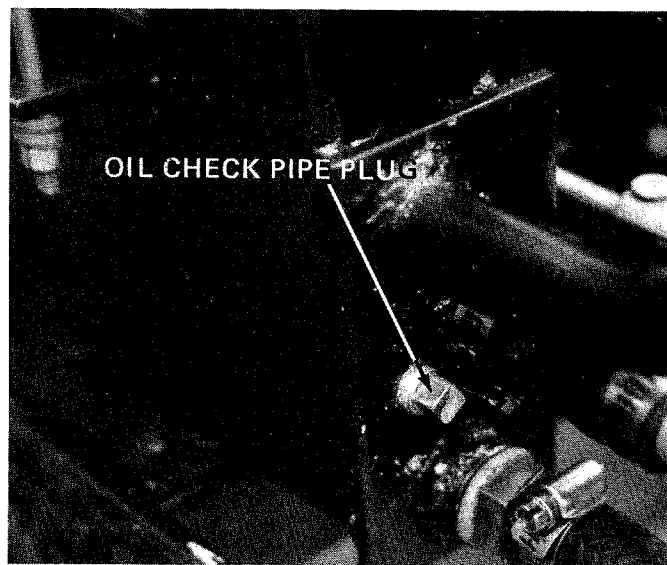


FIGURE 29

ENGINE MAINTENANCE

13 REFER TO ENGINE MANUAL.

STORAGE INSTRUCTIONS

In event engine is to be stored for any length of time (30 days or more), prepare as follows:

1. Drain gasoline by tipping or by syphon hose, then run engine until remainder is used and tank and carburetor are empty.



CAUTION

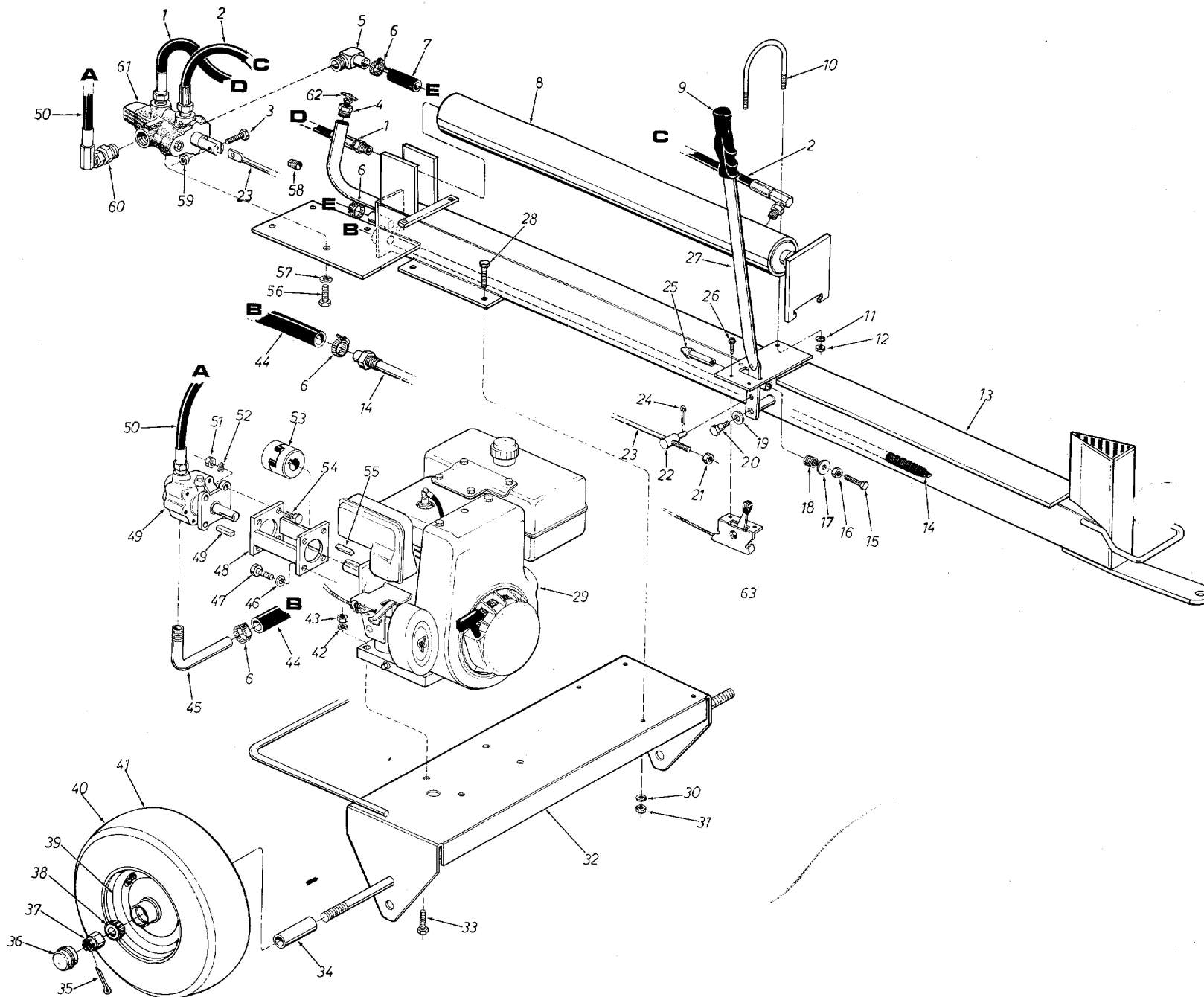
Drain into container outdoors away from fire or flame.

2. Drain carburetor by running engine until it stops.
3. Inside protecting of engine for storage is performed by removing spark plug and pouring one ounce of SAE 30 oil through spark plug hole into cylinder. Crank engine, without starting, several times to spread oil over cylinder walls.
4. Never store outside without a waterproof cover.

NOTES

A large, empty rectangular box with a thin black border, occupying most of the page. It is intended for handwritten notes. On the left side of the page, there are three circular punch holes, suggesting the page is part of a binder or folder.

249-645A



PARTS LIST FOR LOG SPLITTER MODEL NO. 249-645A

Ref. No.	Part No.	Color Code	Description	New Part	Ref. No.	Part No.	Color Code	Description	New Part
1	727-0211		Forward stroke high pressure hose		32	13747		Frame Ass'y.	N
2	727-0212		Return stroke high pressure hose		33	710-0409		Hex Scr. 5/16-24 x 1.75" Lg.*	
3	710-0106		Hex Scr. 1/4-20 x 1.25" Lg.*		34	750-0442		Spacer .75" I.D. x 1.12" O.D. x 1.56" Lg.	N
4	737-0160		Breather Plug		35	714-0121		Cotter pin 5/32" Dia. x 1.00" Lg.*	
5	737-0153		Return Elbow		36	734-0873		Hub Cap (Service Only)	
6	726-0173		Hose Clamp		37	712-0299		Hex Castle nut 3/4-16 Thd.	
7	727-0210		Return Hose 3/4" I.D. x 2.62" Lg.		38	741-0107		Tapered roller bearing (Service Only)	
8	717-0406		Cylinder Ass'y. 4.0" Dia. x .24" stroke	N	39	734-0871		Wheel Rim Ass'y. (Service Only)	
9	08118		Grip		40	734-0872		Tire only 4.80/4.00 x 8 (Service Only)	
10	747-0289		Cylinder Support Rod		41	734-0870		Wheel Ass'y. Comp. 4.80/4.00 x 8	
11	736-0119		L.-Wash. 5/16" Scr.*		42	736-0119		L.-Wash. 5/16" Scr.*	
12	712-0267		Hex Nut 5/16-18 Thd.*		43	712-0123		Hex Nut 5/16-24 Thd.	
13	13743		Complete oil tank & Beam Ass'y.	N	44	727-0215		Inlet hose 3/4" I.D. x 14" Lg.	N
14	13677		Strainer Tube Ass'y. 50" Lg.		45	750-0426		Pump Inlet Tubing	
15	710-0624		Hex Scr. 5/16-24 x 1.50" Lg.*		46	736-0119		L.-Wash. 5/16" Scr.*	
16	712-0123		Hex Nut 5/16-24 Thd.*		47	710-0157		Hex Scr. 5/16-24 x .75" Lg.*	
17	736-0159		Fl.-Wash. .34 I.D. x .88 O.D.		48	13295		Coupling Support Brkt. Ass'y.	
18	732-0253		Compression Spring .64 O.D. x .81" Lg.		49	717-0397		Pump with Sq. Key 1/8" x 1.00" Lg.	
19	736-0160		Fl.-Wash. .53" I.D. x .94" O.D.		50	727-0203		High Pressure Hose	
20	738-0234		Shld. Scr. .500" Dia. x .295		51	712-0123		Hex Nut 5/16-24 Thd.*	
21	712-0241		Hex Nut 3/8-24 Thd.*		52	736-0119		L.-Wash. 5/16" Scr.*	
22	711-0198		Pivot Bushing		53	717-0374		Flexible Coupling with set scr.	
23	747-0297		Engagement Rod - .38" Dia. x 31" Lg.	N	54	710-0117		Hex Scr. 5/16-24 x 1.00" Lg.*	
24	714-0507		Cotter Pin 3/32" Dia. x .75" Lg.*		55	714-0128		Sq. Key 1/4" x 1/4" x 1.00" Lg.*	
25	738-0406		Return Stroke Stop Plunger		56	710-0216		Hex Scr. 3/8-16 x .75" Lg.*	
26	710-0227		Hex AB-Tap Scr. #8 x .50" Lg.		57	736-0105		Belleville Wash. .40 I.D. x .88 O.D.	
27	750-0428		Engagement Handle	N	58	737-0104		Pipe Plug 1/4-18 pipe thd.	
28	710-0117		Hex Scr. 5/16-24 x 1.00" Lg.*		59	712-0107		Hex L.-Nut 1/4-20 Thd.	
29	-----		8 H.P. Engine - Tecumseh		60	737-0155		Reducing Bushing	
30	736-0119		L.-Wash. 5/16" Scr.*		61	717-0407		Control Valve	N
31	712-0123		Hex Nut 5/16-24 Thd.		62	737-0161		Breather Valve	
					63	746-0295		Throttle Control Ass'y. Comp.	N

*For faster service obtain standard nuts, bolts and washers locally. If these items cannot be obtained locally, order by part number and size as shown on parts list.

The engine is not under warranty by the log splitter manufacturer. If repairs or service is needed on the engine, please contact your nearest authorized engine service outlet. Check the "Yellow Pages" of your telephone book under "Engines - Gasoline."



PARTS INFORMATION

POWER EQUIPMENT PARTS AND SERVICE

Parts and service for all MTD manufactured power equipment are available through the authorized service firms listed below. All orders should specify the model number of your unit, parts number, description of parts and the quantity of each part required.

ALABAMA	BIRMINGHAM	
Auto Electric & Carburetor Co.	2625 4th Ave. S.	35233
ARKANSAS	NORTH LITTLE ROCK	
Sutton's Lawn Mower Shop	Rt. 4, Box 368	72117
	FORT SMITH	
Mity Mite Motors, Inc.	2515 Towson Ave.	72901
CALIFORNIA	PORTERVILLE	
Billious	75 North D Street	93257
	SAN BERNARDINO	
Lawn Mower Supply Co.	25608 E. Baseline	92410
	SAN FRANCISCO	
J.W. Jewett Co.	981 Folsom St.	94107
	SACRAMENTO	
Luttig & Severson	2030 28th St.	95818
COLORADO	DENVER	
South Denver Lawn Equip.	527 West Evans	80223
CONNECTICUT	SUFFIELD	
The Jones & Ramsey Co.	850 Thompsonville Rd.	06078
FLORIDA	JACKSONVILLE	
Radco Distributors	2403 Market St.	32206
	CORAL GABLES	
Moz-All of Florida, Inc.	365 Greco Ave.	33146
GEORGIA	EAST POINT	
East Point Cycle & Key	2834 Church St.	30344
ILLINOIS	LYONS	
Keen Edge Co.	8615 Ogden Ave.	60534
INDIANA	ELKHART	
Parts & Sales Inc.	2101 Industrial Pkwy.	46514
IOWA	DUBUQUE	
Power Lawn & Garden Equip.	2551 J.F. Kennedy	52001
LOUISIANA	NEW ORLEANS	
Suhren Engine Co.	8330 Earhart Blvd.	70118
MARYLAND	TAKOMA PARK	
Center Supply Co.	6867 New Hampshire Ave.	20012
MASSACHUSETTS	SPRINGFIELD	
Morton B. Collins Co.	300 Birnie Ave.	01107
MICHIGAN	MOUNT CLEMENS	
Power Equipment Dist.	36463 South Gratiot	48043
	LANSING	
Lorenz Service Co.	2500 S. Pennsylvania	48900
MINNESOTA	MINNETONKA	
Hance Distributing Inc.	11212 Wayzata Blvd.	55343
MISSISSIPPI	BILOXI	
Biloxi Sales & Service, Inc.	506 Caillavet St.	39533
MISSOURI	KANSAS CITY	
Automotive Equip. Service	3117 Holmes St.	64109
	ST. LOUIS	
Henzler, Inc.	2015 Lemay Ferry Rd.	63125
NEW JERSEY	BELLMAWR	
Lawnmower Parts Inc.	717 Creek Rd., P.O. Box 7	08030

BRIGGS & STRATTON, TECUMSEH AND PEERLESS PARTS AND SERVICE

Briggs & Stratton, Tecumseh and Peerless parts service should be handled by your nearest authorized engine service firm. Check the yellow pages of your telephone directory under the listing **Engines—Gasoline**, Briggs & Stratton or Tecumseh Lauson.

NEW YORK	CARTHAGE	
Gamble Dist., Inc.	West End Ave.	13619
NORTH CAROLINA	GREENSBORO	
Dixie Sales Company	327 Battleground Ave.	27402
	GOLDSBORO	
Smith Hardware Co.	515 N. George St.	27530
OHIO	WADSWORTH	
National Central	687 Seville Rd.	44281
	CLEVELAND	
Bleckrie, Inc.	7900 Lorain Ave.	44102
	CARROLL	
Stebe's Mid-State Mower Supply	Box 366	43112
	WILLARD	
Sunshine Wholesale Tire Outlet	Route 224	44890
OKLAHOMA	MUSKOGEE	
Victory Motors, Inc.	605 S. Cherokee	74401
	ADA	
Ada Auto Supply	301 E. 12th St.	74820
OREGON	PORTLAND	
Kenton Supply Co.	8216 N. Denver Ave.	97217
PENNSYLVANIA	LANCASTER	
Raub Supply Co.	James & Mulberry Sts.	17604
	PITTSBURGH	
Bluemont Co.	11125 Frankstown Rd.	15235
TENNESSEE	KNOXVILLE	
Master Repair Service	2423 Broadway, N.E.	37917
	MEMPHIS	
Memphis Cycle & Supply Co.	421 Monroe Ave.	38100
American Sales & Service, Inc.	1922 Lynnbrook	38100
TEXAS	DALLAS	
Marr Brothers, Inc.	423 E. Jefferson	75203
	HOUSTON	
Bullard Supply Co.	2409 Commerce St.	77003
	SAN ANTONIO	
Catto & Putty, Inc.	P.O. Box 2408	78206
	FORT WORTH	
Woodson Sales Corp.	1702 N. Sylvania	76111
UTAH	SALT LAKE CITY	
A-1 Engine & Mower Co.	437 E. 9th St.	84111
VERMONT	BURLINGTON	
Vermont Appliance Co.	44 Lakeside Ave.	05401
VIRGINIA	RICHMOND	
RBI Corp.	963 Myers St.	23260
WASHINGTON	SEATTLE	
Bailey's Rebuild, Inc.	1325 E. Madison St.	98102
WEST VIRGINIA	CHARLESTON	
Young's, Inc.	233 Virginia St., E.	25301
WISCONSIN	APPLETON	
Automotive Supply Co.	123 S. Linwood Ave.	54911

WARRANTY PARTS AND SERVICE POLICY

The purpose of warranty is to protect the customer from defects in workmanship and materials, defects which are NOT detected at the time of manufacture. It does not provide for the unlimited and unrestricted replacement of parts. Use and maintenance are the responsibility of the customer. The manufacturer cannot assume responsibility for conditions which it has no control. Simply put, if it's the manufacturer's fault, it's the manufacturer's responsibility; if it's the customer's fault, it's the customer's responsibility.

CLAIMS AGAINST THE MANUFACTURER'S WARRANTY INCLUDES

1. Replacement of Missing Parts on new equipment.
2. Replacement of Defective Parts within the warranty period.
3. Repair of Defects within the warranty period.

All claims MUST be substantiated with the following information:

1. Model Number of unit involved.
2. Date unit was purchased or first put into service.
3. Date of failure.
4. Nature of failure.

MTD PRODUCTS INC • 5389 WEST 130th STREET • P.O. BOX 2741 CLEVELAND OHIO 44111

Free Manuals Download Website

<http://myh66.com>

<http://usermanuals.us>

<http://www.somanuals.com>

<http://www.4manuals.cc>

<http://www.manual-lib.com>

<http://www.404manual.com>

<http://www.luxmanual.com>

<http://aubethermostatmanual.com>

Golf course search by state

<http://golfingnear.com>

Email search by domain

<http://emailbydomain.com>

Auto manuals search

<http://auto.somanuals.com>

TV manuals search

<http://tv.somanuals.com>