

# ***TrimmerPlus***<sup>®</sup>

## **Operator's Manual**

### **Pole Saw PS720r**



**IMPORTANT: READ SAFETY RULES  
AND INSTRUCTIONS CAREFULLY**

P/N 9096-A10708 © 2005  
PRINTED IN TAIWAN

# INTRODUCTION

## THANK YOU

Thank you for buying this quality product. This modern outdoor power tool will provide many hours of useful service. You will find it to be a great labor-saving device. This operator's manual provides you with easy-to-understand operating instructions. Read the whole manual and follow all the instructions to keep your new outdoor power tool in top operating condition.

## PRODUCT REFERENCES, ILLUSTRATIONS AND SPECIFICATIONS

All information, illustrations, and specifications in this manual are based on the latest product information available at the time of printing. We reserve the right to make changes at any time without notice.

Copyright© 2004 MTD SOUTHWEST INC, All Rights Reserved.

## SERVICE INFORMATION

Service on this unit both within and after the warranty period should be performed only by an authorized and approved service dealer.

For service call **1-800-345-8746** to obtain a list of authorized service dealers near you. For more details about your unit, visit our website at [www.TrimmerPlus.com](http://www.TrimmerPlus.com).

If you have difficulty assembling this product or have any questions regarding the controls, operation or maintenance of this unit, please call the Customer Support Department.

DO NOT RETURN THE UNIT TO THE RETAILER.  
PROOF OF PURCHASE WILL BE REQUIRED FOR WARRANTY SERVICE.

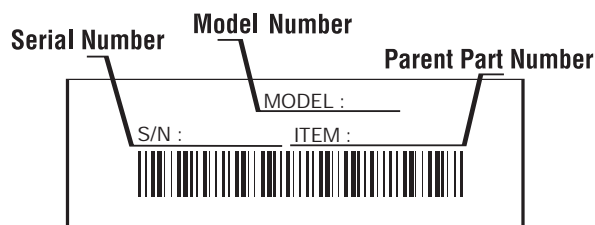
*Make sure you carefully read and understand this manual before starting or operating this equipment.*

THIS PRODUCT IS COVERED BY ONE OR MORE U.S. PATENTS. OTHER PATENTS PENDING.

## TABLE OF CONTENTS

Introduction .....	2
Rules for Safe Operation .....	3
Know Your Unit .....	7
Operating Instructions .....	8
Maintenance and Repair Instructions .....	11
Specifications .....	13
Warranty Information .....	14
Parts List .....	Inside Back Cover

Before beginning, locate the unit's model plate. It lists the model and serial numbers of your unit. Refer to the sample plate below and copy the information for future reference.



Copy the model and parent part number here: \_\_\_\_\_

Copy the serial number here: \_\_\_\_\_

# RULES FOR SAFE OPERATION

The purpose of safety symbols is to attract your attention to possible dangers. The safety symbols, and their explanations, deserve your careful attention and understanding. The safety warnings do not by themselves eliminate any danger. The instructions or warnings they give are not substitutes for proper accident prevention measures.

SYMBOL	MEANING
--------	---------



**SAFETY ALERT:** Indicates danger, warning or caution. Attention is required in order to avoid serious personal injury. May be used in conjunction with other symbols or pictographs.

**NOTE:** Advises you of information or instructions vital to the operation or maintenance of the equipment.

**Read the Operator's Manual(s) and follow all warnings and safety instructions.**

**Failure to do so can result in serious injury to the operator and/or bystanders.**

**FOR QUESTIONS, CALL 1-800-345-8746**

SYMBOL	MEANING
--------	---------



**DANGER:** Failure to obey a safety warning will result in serious injury to yourself or to others. Always follow the safety precautions to reduce the risk of fire, electric shock and personal injury.



**WARNING:** Failure to obey a safety warning can result in injury to yourself and others. Always follow the safety precautions to reduce the risk of fire, electric shock and personal injury.



**CAUTION:** Failure to obey a safety warning may result in property damage or personal injury to yourself or to others. Always follow the safety precautions to reduce the risk of fire, electric shock and personal injury.

## • IMPORTANT SAFETY INSTRUCTIONS •

### READ ALL INSTRUCTIONS BEFORE OPERATING



**WARNING:** When using the unit, you must follow the safety rules. Please read these instructions before operating the unit in order to ensure the safety of the operator and any bystanders. Please keep these instructions for later use.

- Carefully read and understand the operator's manual of the unit that powers this attachment.
- Read this operating instruction manual carefully. Be thoroughly familiar with the controls and the proper use of the equipment. Know how to stop the unit and disengage the controls quickly.
- Do not operate this unit when tired, ill, or under the influence of alcohol, drugs, or medication.
- Never allow children to operate the equipment. Never allow adults unfamiliar with the instructions to use the unit. Never allow adults to operate the equipment without proper instruction.
- All guards and safety attachments must be installed properly before operating the unit.

### SPECIAL SAFETY WARNINGS FOR GAS POWERHEADS



**WARNING:** Gasoline is highly flammable, and its vapors can explode if ignited. Take the following precautions:

- Store fuel only in containers specifically designed and approved for the storage of such materials.
- Always stop the engine and allow it to cool before filling the fuel tank. Never remove the cap of the fuel tank, or add fuel, when the engine is hot. Never operate the unit without the fuel cap securely in place. Loosen the fuel tank cap slowly to relieve any pressure in the tank.
- Mix and add fuel in a clean, well-ventilated area outdoors where there are no sparks or flames. Slowly remove the fuel cap only after stopping engine. Do not smoke while fueling or mixing fuel. Wipe up any spilled fuel from the unit immediately.
- Avoid creating a source of ignition for spilled fuel. Do not start the engine until fuel vapors dissipate.
- Move the unit at least 30 feet (9.1 m) from the fueling source and site before starting the engine. Do not smoke. Keep sparks and open flames away from the area while adding fuel or operating the unit.
- Never start or run the unit inside a closed room or building. Breathing exhaust fumes can kill. Operate this unit only in a well ventilated area outdoors.

# RULES FOR SAFE OPERATION

## POLE SAW OPERATING PROCEDURES

- Keep bystanders, especially children and pets, at least 50 ft (15 m) away.
- Wear safety glasses or goggles that are marked as meeting ANSI Z87.1 standards, and ear/hearing protection when operating this unit. Wear a face or dust mask if the operation is dusty. Wear a hard hat.
- Wear heavy, long pants, boots, gloves and a long sleeve shirt. Do not wear loose clothing, jewelry, short pants, sandals or go barefoot. Secure hair above shoulder level.
- Use the unit only in daylight or good artificial light.
- Use the right tool. Only use this tool for the purpose intended.
- Always stop the engine/motor when operation is delayed or when walking from one location to another.
- Use only genuine factory replacement parts and accessories for this unit. These are available from your authorized service dealer. Use of any unauthorized parts or accessories could lead to serious injury to the user or damage to the unit, and void your warranty.

## KICKBACK SAFETY PRECAUTIONS



**WARNING:** Kickback may occur when the nose or tip of the guide bar touches an object, or when the wood closes in and pinches the saw chain in the cut. Tip contact in some cases may cause a lightning-fast reverse action, kicking the guide bar rapidly back towards the operator. Pinching the saw chain along the top of the guide bar may push the guide bar rapidly back towards the operator. Either of these reactions may cause you to lose control of the saw, which could result in serious injury to the user.

Do not rely exclusively upon the safety devices built into your saw. As a pole saw user, you should take several steps to keep your cutting jobs free from accident or injury.

- With a basic understanding of kickback, you can reduce or eliminate the element of surprise. Sudden surprise contributes to accidents.
- Grip saw firmly. Hold the pole saw firmly with both hands when the motor is running. Keep a good firm grip on the saw with both hands, the right hand on the rear handle, and the left hand on the front handle.
- Do not let the nose of the guide bar contact a log, branch, ground or other obstruction.
- Always cut with the engine running at full speed. Fully squeeze the throttle trigger and maintain a steady cutting speed.
- Do not over reach.
- Follow the manufacturer's sharpening and maintenance instructions for the saw chain.
- Use only replacement bars and chains specified by the manufacturer or the equivalent.

## OTHER SAFETY PRECAUTIONS

- DO NOT operate a pole saw with one hand! Serious injury to the operator, helpers, or bystanders may result from one-handed operation. A pole saw is intended for two-handed use.
- Do not operate a pole saw if you are fatigued.
- Do not wear loose clothing or jewelry, as they can get caught in moving parts. Non-skid footwear is recommended when working outdoors. Wear protective hair covering to contain long hair.
- Use safety glasses, safety footwear, snug fitting clothing, protective gloves, and protective hearing and head gear.
- Use caution when handling fuel. Move the pole saw at least 10 feet (3 m) from the fueling point before starting the engine.
- Do not allow other persons to be near the pole saw when starting or cutting with the pole saw. Keep bystanders and animals out of the work area.
- Keep the work area clean. Cluttered areas invite injuries. Do not start cutting until you have a clear work area, secure footing, and a planned retreat path from the falling branches.
- Stay Alert. Watch what you are doing. Use common sense. Do not operate the pole saw when you are tired. Keep all parts of your body away from the saw chain when the motor is operating. Before you start the saw, make sure the saw chain is not contacting anything.
- Disconnect the pole saw when not in use, before servicing, and when changing accessories and attachments such as saw chain and guard.
- Check damaged parts. Before further use of the pole saw, a guard or other part that is damaged should be carefully checked to determine that it will operate properly and perform its intended function. Check for alignment of moving parts, binding of moving parts, breakage of parts, mounting, and any other conditions that may affect its operation. A guard or other part that is damaged should be properly repaired or replaced by an authorized service center, unless otherwise indicated in this instruction manual.

# RULES FOR SAFE OPERATION

- Use extreme caution when cutting small sized brush and sapling, as slender material may catch the saw chain and be whipped toward you or pull you off balance. Do not operate a pole saw in a tree unless you are specifically trained to do so. When cutting a limb that is under tension, be alert for spring back so that you will not be struck when the tension in the wood fibers is released. Do not expose the pole saw to rain. Do not use the pole saw in damp or wet locations. Do not use the pole saw in the presence of flammable liquids or gases.
- All pole saw service, other than the items listed in the user manual safety and maintenance instructions, should be performed by competent pole saw personnel. Do not attempt to repair it yourself; there are no user serviceable parts inside.
- When not in use, pole saws should be stored out of the reach of children, in a dry, high or locked-up place. When storing saw, use a scabbard or carrying case.
- The pole saw will do a better and safer job when used at the rate for which it was intended.
- Use the right tool. Cut wood only. Do not use the pole saw for purposes for which it was not intended. For example, do not use the pole saw for cutting plastic, masonry, or non-building materials.
- Use devices, such as low-kickback chain, guide bar nose guards and special guide bars, which reduce the risks associated with kickback.
- There are no other replacement components for achieving kickback protection in accordance with CSA Z62.3.
- Do not operate a pole saw that is damaged, improperly adjusted, or not completely and securely assembled. Be sure that the saw chain stops moving when the trigger is released.
- Do not attempt operations beyond your capacity or experience.
- Never remove, modify or make inoperative any safety device furnished with your unit.
- This saw is classified by CSA as a Class 2C saw. It is intended for infrequent use by homeowner's, cottagers and campers, and for such general applications such as clearing, pruning, cutting firewood, etc. It is not intended for prolonged use. If the intended use involves prolonged periods of operation, this may cause circulatory problems in the user's hands due to vibration. It may be appropriate to use a saw having an anti-vibration feature.
- Safety clothing required by your safety organizations, government regulations, or your employer should be used; otherwise, snug fitting clothing, safety footwear, and hand and ear protection should be worn.  
  
Low-kickback saw chain is chain that has met the kickback performance requirements of ANSI B175.1-1991 and is in accordance with CSA Z62.3. Do not use other replacement chain unless it has met these requirements for your specific model.
- Do not use any other cutting attachment or accessories. Use only original equipment manufacturer replacement parts and accessories, which are designed specifically to enhance the performance and maximize the safe operation of our products. Failure to do so may cause poor performance and possible injury. Use only the chain and bar supplied with this product. Do not use any other cutting attachment. Use of such attachments will void your factory warranty and could result in serious bodily injury.
- Never touch the chain or attempt to service the saw while the engine is running. Make sure all moving parts have stopped. Allow the pole saw to cool, as the chain can be hot.
- Check the bar and chain at frequent intervals for proper adjustment. Make sure the bar and chain are properly tightened and sharpened. Visually inspect for damage. Repair any damage before restarting or operating the pole saw.
- Do not cut near electrical cables or power lines.
- Do not use the chain saw to fell a tree. Use a standard chain saw for this application.

## MAINTENANCE AND STORAGE

- Allow the unit to cool before storing or transporting. Be sure to secure the unit while transporting.
- Store the unit in a locked up and dry or high and dry place to prevent unauthorized use or damage, out of the reach of children.
- Never douse or squirt the unit with water or any other liquid. Keep handles dry, clean and free from debris. Clean after each use.
- Keep these instructions. Refer to them often and use them to instruct other users. If you loan someone this unit, also loan them these instructions.
- Only qualified personnel should perform any repairs or maintenance procedures that are not described in this manual.

# SAVE THESE INSTRUCTIONS

# RULES FOR SAFE OPERATION

## SAFETY AND INTERNATIONAL SYMBOLS

This operator's manual describes safety and international symbols and pictographs that may appear on this product. Read the operator's manual for complete safety, assembly, operating and maintenance and repair information.

### SYMBOL

### MEANING



- **SAFETY ALERT SYMBOL**

Indicates danger, warning, or caution. May be used in conjunction with other symbols or pictographs.



- **WARNING - READ OPERATOR'S MANUAL**

Read the Operator's Manual(s) and follow all warnings and safety instructions. Failure to do so can result in serious injury to the operator and/or bystanders.



- **WEAR HEAD, EYE AND HEARING PROTECTION**

**WARNING:** Thrown objects and loud noise can cause severe eye injury and hearing loss. Wear eye protection meeting ANSI Z87.1-1989 standards and ear protection when operating this unit. Falling objects can cause severe head injury. Wear head protection when operating this unit. Use a full face shield when needed.



- **KEEP BYSTANDERS AWAY**

**WARNING:** Keep all bystanders, especially children and pets, at least 50 feet (15 m) from the operating area.

### SYMBOL

### MEANING



- **THROWN OBJECTS CAN CAUSE SEVERE INJURY**

**WARNING:** Do not operate unit without proper attachments and guards in place.



- **GUIDE BAR WARNING**

Contact of the guide bar tip with any object should be avoided. Tip contact may cause the guide bar to move suddenly upward and backward, which may cause serious injury.



- **USE BOTH HANDS**

Always use both hands while operating the chain saw. Never use only one hand to operate the saw.



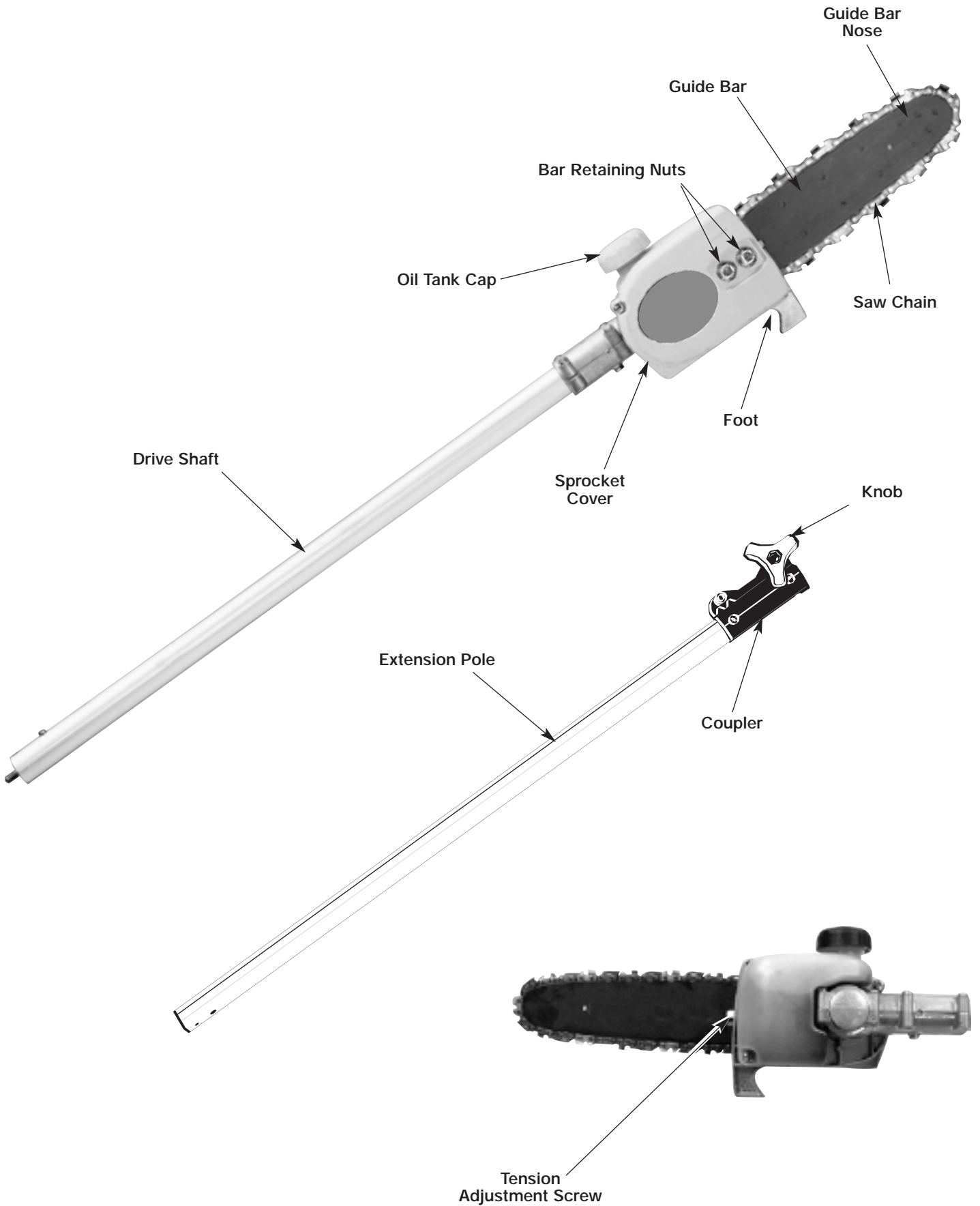
- **HOT SURFACE WARNING**

Do not touch a hot muffler or cylinder. You may get burned. These parts get extremely hot from operation. When turned off they remain hot for a short time.



# RULES FOR SAFE OPERATION

## KNOW YOUR UNIT



# OPERATING INSTRUCTIONS

## ASSEMBLING THE COUPLER

The following TrimmerPlus Add-Ons are also available for your unit:

Cultivator .....	GC720r
Edger .....	LE720r
Hedge Trimmer .....	HS720r
Straight Shaft Trimmer .....	SS725r
Turbo Blower .....	TB720r
Pole Saw .....	TBPS

**NOTE:** Aligning the release button with the guide recess will help installation (Fig. 1).

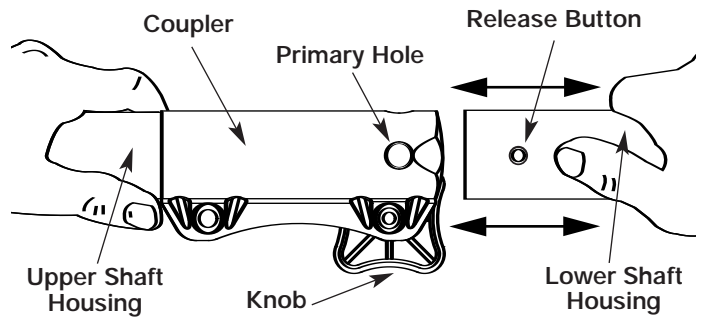


Fig. 2

- Turn the knob clockwise to tighten (Fig. 3).



**WARNING:** Prior to operation, read and understand the operator's manual for unit to be used with this add-on.

**NOTE:** To make installing or removing the add-on easier, place the unit on the ground or on a work bench.

**NOTE:** The extension pole with this unit is to give the user added reach. Follow the directions for removing the add-on or installing the add on to remove or install the extension pole.

### Removing the add-on

- Turn the knob counterclockwise to loosen (Fig. 1).
- Press and hold the release button (Fig. 1).
- While firmly holding the upper shaft housing, pull the add-on out of the coupler (Fig. 2).

### Installing the add-on



**WARNING:** To avoid serious personal injury and damage to the unit, shut the unit off before removing or installing add-ons.

- Remove the hanger from the top of the shaft housing.
- Turn knob counterclockwise to loosen (Fig. 1).
- While firmly holding the add-on, push it straight into the coupler (Fig. 2).



**CAUTION:** Lock the release button in the primary hole (Fig. 2) and securely tighten the knob before operating this unit.

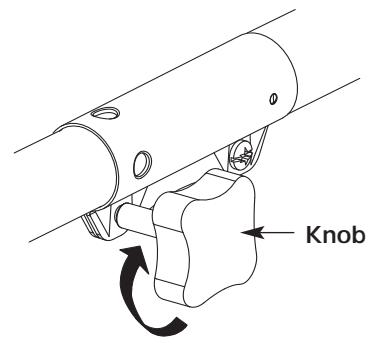


Fig. 3

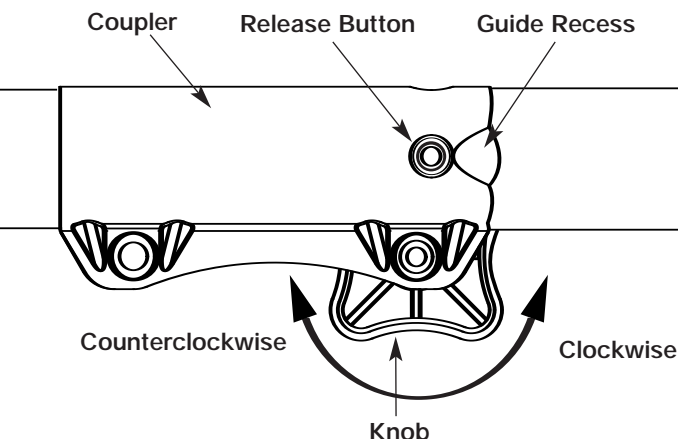


Fig. 1



**CAUTION:** The add-ons with the coupler system is to be used in the primary hole only. Using the wrong hole could lead to personal injury or damage to the unit.

The add-on should be installed with the release button in the **primary hole**.

### Check Flex Shaft Engagement Prior to Using

- Start the unit.
- Briefly engage and release the trigger.
- Check that add-on is operating.
- If the add-on is not operating, remove add-on and repeat steps for installing the add-on.
- Recheck operation of add-on attachment.



# OPERATING INSTRUCTIONS

## OPERATING PRECAUTIONS



**WARNING:** Dress properly to reduce the risk of injury when operating this unit. Do not wear loose clothing or jewelry. Wear eye and ear/hearing protection. Wear heavy long pants, boots and gloves. Wear a hard hat. Use a full face shield when needed.

1. Keep bystanders 50 feet (15 meters) away when operating the saw.
2. Do not use the pole saw to cut down trees. Use a chain saw without a pole attachment.
3. Grip pole saw securely - one hand on the pole, the other on the handle.
4. Keep finger off the trigger until ready to make cut.
5. Before starting the pole saw, make sure the chain is not touching anything.
6. Keep all parts of your body away from the chain when the saw is running.
7. Do not force the pole saw while cutting. Apply light pressure. It will do the job better and safer at the rate for which it was intended.
8. When cutting limbs or branches that are under tension, use extreme caution. Be alert for wood springing back. When wood tension is released, the limb could spring back and strike operator causing severe injury or death.
9. When carrying pole saw from one place to another:
  - hold pole at balance point
  - keep guide bar and chain to the rear
10. Do not cut small brush and saplings with the pole saw. Use a chain saw only, with extreme care. Slender matter may catch in the chain and be whipped toward you. This could also pull you off balance.
11. Never stand directly under the limb you are trimming. Always position yourself out of the path of falling debris (Fig. 4).
12. Never stand on a ladder or other type of unstable support while using the pole saw.
13. Always use both hands to operate pole saw. Keep a firm, steady pressure on the pole saw while cutting, but do not try to force the saw through the wood.
14. **Do not use the pole saw to cut limbs larger than 4" (10 cm) in diameter.**
15. Keep other persons away from cutting end of pole saw and at a safe distance from work area. (Fig.5).
16. Do not use the pole saw near cable, electric power or telephone lines. Maintain a minimum clearance of 10 feet from all power lines (Fig. 6).



Fig. 4



Fig. 5

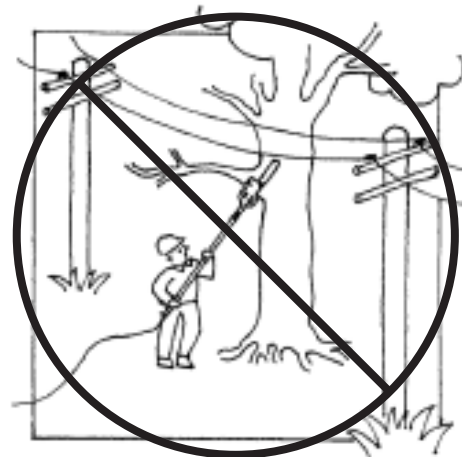


Fig. 6

# OPERATING INSTRUCTIONS

## OPERATING TIPS



**WARNING:** Avoid kickback. Kickback can result in severe injury or death. See Kickback, page 9, to avoid risk of kickback.



**WARNING:** Do not operate Pole Saw while in a tree, on a ladder or any other unstable work surface, or in any awkward position. You may lose control of Pole Saw causing severe injury.



**WARNING:** Do not extend arms above shoulders when using Pole Saw.



**WARNING:** Seek professional help if facing conditions beyond your ability.

Avoid kickback. Kickback can result in severe injury or death.

Do not operate the pole saw while in a tree, on a ladder or any other unstable work surface, or in any awkward position. You may lose control of the pole saw causing severe injury.

Do not extend your arms above shoulders when using the pole saw. Seek professional help if you are facing conditions beyond your ability.

Trimming a tree is the process of cutting limbs from a living tree. Make sure your footing is firm. Keep your feet apart. Divide your weight evenly on both feet.

1. When operating the pole saw, rest the foot (A) of the pole saw against the tree limb that is being cut. (Fig. 7)
2. Make the first cut one (1) foot from where the final cut will be. (Fig. 8)
3. Cut the outside of the branch collar to avoid damage to the tree. (Fig. 9)

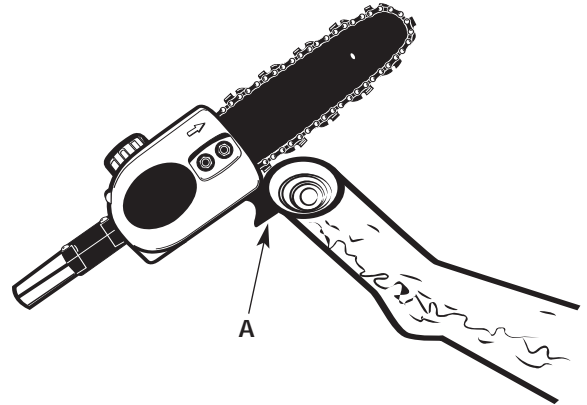


Fig. 7



Fig. 8

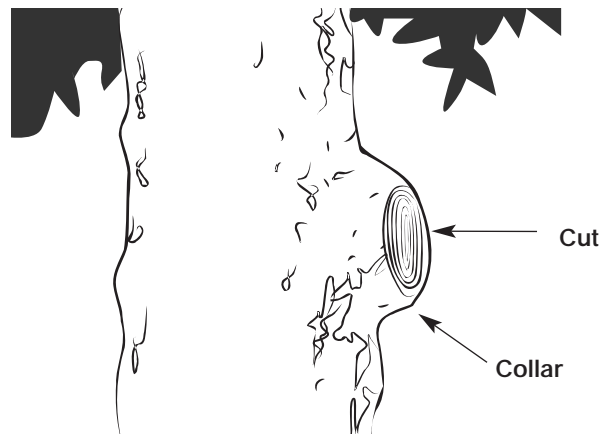


Fig. 9

# MAINTENANCE AND REPAIR INSTRUCTIONS

## SAW CHAIN REPLACEMENT/INSTALLATION



**WARNING:** Whenever handling the saw chain, always wear work gloves for protection against sharp cutting edges.

1. Remove the bar retaining nuts and screw. Then take off the sprocket cover (Fig. 10a).
2. Using a straight screwdriver turn tension adjustment screw counterclockwise (Fig. 10b) as far as it will go or to the end of its travel, take off the chain then remove the bar.

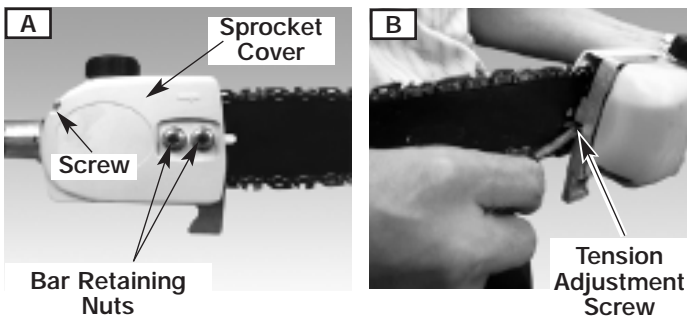


Fig. 10

3. Prepare new chain or bar.
4. Loop the saw chain over the drive sprocket with the cutting edges of the chain pointing in the direction of rotation (Fig. 11).
5. Adjust the tension adjustment screw (Fig. 10b) to allow insertion of the bar (Fig. 12). Make sure the chain follows the slot in the guide bar and adjust the tension adjustment screw to make the chain tighten.
6. Install the sprocket cover and tighten bar retaining nuts and screw (Fig. 10a).

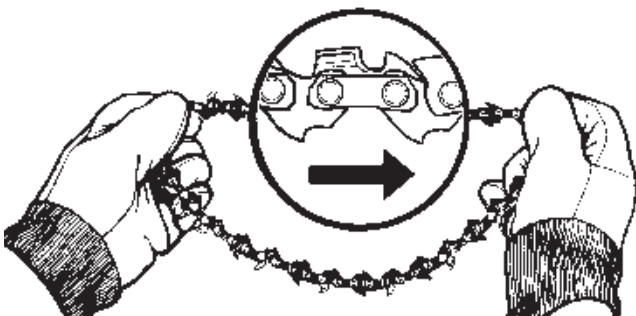


Fig. 10

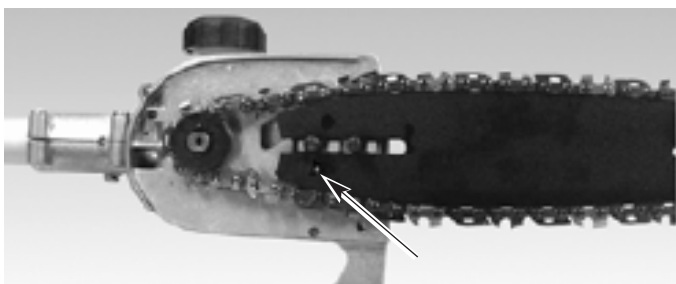


Fig. 11

## SAW CHAIN TENSION ADJUSTMENT

Proper tension of the saw chain is extremely important and must be checked before starting, as well as during, any cutting operation. Taking the time to make needed adjustments to the saw chain will result in improved cutting performance and prolonged chain life.

**NOTE:** A new chain and bar will need readjustment after as few as 5 cuts. This is normal during the break-in period, and the interval between future adjustments will lengthen quickly (Fig. 13).



**CAUTION:** If a chain is too loose or too tight, the bar, chain and saw bearings will wear more rapidly. Refer to Figure 14 for information concerning correct cold tension (A), correct warm tension (B), and a chain in need of adjustment (C).

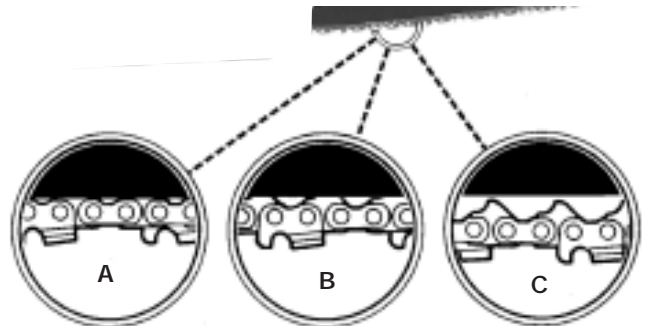


Fig. 13

To adjust the saw chain tension:

1. Loosen the bar retaining nuts so they are hand tight (Fig. 8a).
2. Holding the nose of the bar up, use the screwdriver or srench (if provided in your unit's hardware pack) to turn the guide bar adjustment screw clockwise to tighten the chain (Fig. 8b). Turning the screw *counterclockwise loosens* the chain on the guide bar.
3. While wearing heavy duty work gloves (after you've made the adjustment), move the saw chain back and forth on the guide bar to be sure the chain moves freely and is in proper mesh with the sprocket. Never move the chain with your bare hands.

**NOTE:** IF the chain is difficult to rotate or if it binds on the guide bar, there is too much tension applied and it must be adjusted. To decrease tension, turn the adjustment screw counterclockwise, slowly. Move the chain back and forth until it moves freely.

4. Holding the nose in upper position, securely tighten the bar retaining nuts.

# MAINTENANCE AND REPAIR INSTRUCTIONS

## OILING THE CHAIN

The pole saw chain is self-lubricating. Oil is dispersed onto the chain as the unit is used. Keep an adequate amount of oil in the oil tank. Use the bar-chain oil provided in the hardware pack. Always use bar-chain and sprocket oil or similar chain saw oil.

## GUIDE BAR MAINTENANCE



**NOTE:** Proper maintenance of the guide bar is essential to the performance of your pole saw. Proper guide bar maintenance will keep your saw in good working order.

Most guide bar problems can be prevented merely by keeping the chain saw well maintained.

Incorrect filing and non-uniform cutter and depth gauge settings cause most guide bar problems, primarily resulting in uneven bar wear. As the bar wears unevenly, the rails widen, which may cause chain clatter and difficulty in making straight cuts.

Insufficient guide bar lubrication and operating the saw with a chain that is *too tight* will contribute to rapid bar wear. Refer to *Saw Chain Tension Adjustment*.

To help minimize bar wear, the following guide bar maintenance is recommended:

### Bar Wear

Turn guide bar frequently at regular intervals (for example, after 5 hours of use), to ensure even wear on top and bottom of bar.

## Bar Grooves

Bar grooves (or rails which support and carry the chain) should be cleaned if the saw has been heavily used or if the saw chain appears dirty. Rails should always be cleaned every time the saw chain is removed.

To clean guide bar rails:

1. Remove sprocket cover, bar and chain. Refer to *Saw Chain Replacement / Installation*.
2. Using a screwdriver, putty knife, wire brush or other similar instrument, clear residue from the rails on the guide bar (Fig. 14).

This will keep the oil passages open to provide proper lubrication to the bar and chain.

3. Reinstall the bar, chain and bar bolt retaining nuts. Refer to *Saw Chain Replacement / Installation*.



Fig. 14

## Oil Passages

Oil passages at bar pad should be cleaned to insure proper lubrication of the bar and chain during operation. This can be done using a soft wire small enough to insert into the oil discharge hole.

# MAINTENANCE AND REPAIR INSTRUCTIONS

## CHAIN MAINTENANCE



**WARNING:** Unless you have experience and specialized training for dealing with kickback (see *Important Safety Instructions*), always use a low-kickback saw chain, which significantly reduces the danger of kickback. Low-kickback saw chain does not completely eliminate kickback. A low-kickback or "safety chain," should never be regarded as total protection against injury.

A low-kickback saw chain should always be used in conjunction with other kickback protection devices such as the hand guard, which is furnished with your unit.

Always use a replacement saw chain designed as "low-kickback" or a saw chain which meets the low-kickback performance.

A standard saw chain (a chain which does not have the kickback reducing guard links) should only be used by an experienced professional chain saw operator.

### Low-Kickback Saw Chain

A low-kickback saw chain is a chain which has met the kickback performance requirements of ANSI B175.1. Do not use other replacement chain unless it has met these requirements for your specific model.

By keeping the saw chain in good working condition and correctly serviced as recommended in this manual, you will be able to maintain the safety system of your chain saw over the life of the product.



**WARNING:** Never remove, modify or make inoperative any safety device furnished with your unit. The low kick back saw chain is a major safety feature provided for your protection.



**WARNING:** Ensure that the unit is off and the spark plug is disconnected (for gas powerheads) when working on the saw chain. Wear heavy duty gloves too.

### Chain Tension

Check the chain tension frequently and adjust as often as necessary to keep the chain snug on the bar, but loose enough to be pulled around by hand. Refer to *Saw Chain Tension Adjustment*.

### Breaking in a New Saw Chain

A new chain and bar will need readjustment after as few as 5 cuts. This is normal during the break-in period, and the interval between future adjustments will begin to lengthen quickly.

Over a period of time, however, the moving parts of the saw chain will become worn, resulting in what is called *chain stretch*. This is normal. When it is no longer possible to obtain correct chain tension adjustment, a link will have to be removed to shorten the chain. See your TrimmerPlus Authorized Service Center to have this repair performed.



**WARNING:** Never use a loop of chain that has more than 3 links removed from it. This could damage the sprocket.

## SPECIFICATIONS

### POLE SAW ADD-ON

Approximate Operating Weight of Attachment.....	3.3 lbs. (1.5 kg)
Drive Shaft Length.....	26" (66 cm)
Cutting Width .....	8" (200 mm)

## MANUFACTURER'S LIMITED WARRANTY FOR:

# **TrimmerPlus**<sup>®</sup>

The limited warranty set forth below is given by TrimmerPlus with respect to new merchandise purchased and used in the United States, its possessions and territories.

TrimmerPlus warrants this product against defects in material and workmanship for a period of two (2) years commencing on the date of original purchase and will, at its option, repair or replace, free of charge, any part found to be defective in material or workmanship. This limited warranty shall only apply if this product has been operated and maintained in accordance with the Operator's Manual furnished with the product, and has not been subject to misuse, abuse, commercial use, neglect, accident, improper maintenance, alteration, vandalism, theft, fire, water or damage because of other peril or natural disaster. Damage resulting from the installation or use of any accessory or attachment not approved by TrimmerPlus for use with the product(s) covered by this manual will void your warranty as to any resulting damage. This warranty is limited to ninety (90) days from the date of original retail purchase for any TrimmerPlus product that is used for rental or commercial purposes, or any other income-producing purpose.

**HOW TO OBTAIN SERVICE:** Warranty service is available, WITH PROOF OF PURCHASE THROUGH YOUR LOCAL AUTHORIZED SERVICE DEALER. To locate the dealer in your area, visit our website at [www.TrimmerPlus.com](http://www.TrimmerPlus.com), check for a listing in the Yellow Pages, call **1-800-345-8746** or write to P.O. Box 361131, Cleveland, OH 44136-0019.

**This limited warranty does not provide coverage in the following cases:**

- A. Tune-ups - Spark Plugs, Carburetor Adjustments, Filters
- B. Wear items - Bump Knobs, Outer Spools, Cutting Line, Inner Reels, Starter Pulley, Starter Ropes, Drive Belts
- C. TrimmerPlus does not extend any warranty for products sold or exported outside of the United States of America, its possessions and territories, except those sold through TrimmerPlus's authorized channels of export distribution.

TrimmerPlus reserves the right to change or improve the design of any TrimmerPlus Product without assuming any obligation to modify any product previously manufactured.

**No implied warranty, including any implied warranty of merchantability or fitness for a particular purpose, applies after the applicable period of express written warranty above as to the parts as identified. No other express warranty or guaranty, whether written or oral, except as mentioned above, given by any person or entity, including a dealer or retailer, with respect to any product shall bind TrimmerPlus. During the period of the Warranty, the exclusive remedy is repair or replacement of the product as set forth above.** (Some states do not allow limitations on how long an implied warranty lasts, so the above limitation may not apply to you.)

**The provisions as set forth in this Warranty provide the sole and exclusive remedy arising from the sales. TrimmerPlus shall not be liable for incidental or consequential loss or damages including, without limitation, expenses incurred for substitute or replacement lawn care services, for transportation or for related expenses, or for rental expenses to temporarily replace a warranted product.** (Some states do not allow limitations on how long an implied warranty lasts, so the above limitation may not apply to you.)

In no event shall recovery of any kind be greater than the amount of the purchase price of the product sold. Alteration of the safety features of the product shall void this Warranty. You assume the risk and liability for loss, damage, or injury to you and your property and/or to others and their property arising out of the use or misuse or inability to use the product.

This limited warranty shall not extend to anyone other than the original purchaser, original lessee or the person for whom it was purchased as a gift.

**How State Law Relates to this Warranty:** This warranty gives you specific legal rights, and you may also have other rights which vary from state to state.

To locate your nearest service dealer dial **1-800-345-8746**.

**MTD Southwest Inc**

PO Box 361131

Cleveland, OH 44136-0019

# **TrimmerPlus**<sup>®</sup>

## Manuel de L'utilisateur

Sie de Pole  
PS720r



**IMPORTANT: LISEZ LES RÈGLES ET  
CONSIGNES DE SÉCURITÉ SOIGNEUSEMENT**

P/N 9096-A10708 © 2005  
FABRIQUÉ À TAIWAN

# INTRODUCTION

## TOUS NOS REMERCIEMENTS

Nous vous remercions d'avoir acheté ce produit de qualité. Cet outil mécanique de plein air moderne est conçu pour vous rendre service pendant longtemps. Il vous sauvera beaucoup de temps comme vous pourrez vous en rendre compte. Ce manuel de l'utilisateur comporte un mode d'emploi facile à comprendre. Prenez soin de lire le manuel au complet et suivez toutes ses instructions à la lettre afin de conserver votre nouvel outil mécanique de plein air en excellent état de fonctionnement.

## RÉFÉRENCES, ILLUSTRATIONS ET SPÉCIFICATIONS RELATIVES AU PRODUIT

Toutes les informations, illustrations et spécifications contenues dans ce manuel tiennent compte des dernières informations techniques disponibles au moment de mettre sous presse. Nous nous réservons le droit d'y apporter des modifications à tout moment, sans préavis.

Copyright© 2004 MTD SOUTHWEST INC., Tous droits réservés.

## INFORMATIONS D'ENTRETIEN

Tout entretien effectué sur cet appareil pendant et après la période de garantie doit être fait par un concessionnaire agréé uniquement. Obtenez la liste des concessionnaires agréés appelez le **1-800-345-8746**. Pour de plus amples informations à propos de votre appareil, visitez [www.TrimmerPlus.com](http://www.TrimmerPlus.com).

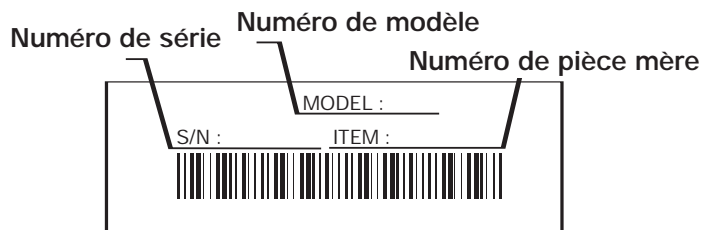
**NE RETOURNEZ PAS L'APPAREIL AU DÉTAILLANT CHEZ QUI VOUS L'AVEZ ACHETÉ. TOUT SERVICE SOUS GARANTIE NÉCESSITE UNE PREUVE D'ACHAT.**

Avant d'assembler votre nouvel équipement, repérez la plaque signalétique de l'appareil et copiez ses informations dans l'espace ci-dessous. Ces informations sont essentielles si vous désirez obtenir de l'aide auprès de notre service technique ou d'un distributeur agréé. Un exemple de plaque signalétique est présenté ci-dessous.

## TABLE DES MATIÈRES

Introduction .....	2
Consignes de sécurité .....	3
Familiarisez-vous avec votre appareil .....	7
Mode d'emploi .....	8
Entretien et réparations .....	11
Caractéristiques .....	13
Garantie .....	14
Liste des pièces ..	Intérieure de la Couverture Arrière

Si vous éprouvez des difficultés à assembler ce produit ou si vous avez des questions concernant les commandes, le fonctionnement ou l'entretien de cet appareil, veuillez communiquer avec notre service technique.



Copiez le numéro de modèle / pièce mère ici : \_\_\_\_\_

Copiez le numéro de série ici : \_\_\_\_\_

*Prenez soin de lire et de bien comprendre ce manuel avant de démarrer ou de faire fonctionner cet équipement.*

CE PRODUIT EST COUVERT PAR UN OU PLUSIEURS BREVETS AMÉRICAINS, ET D'AUTRES SONT EN INSTANCE.



# CONSIGNES DE SÉCURITÉ

Les symboles de sécurité attirent votre attention sur des dangers potentiels. Ces symboles et leurs détails explicatifs méritent que vous les lisiez et compreniez bien. Les avertissements de sécurité ne peuvent éviter les dangers de par eux-mêmes. Les consignes ou mises en garde qu'ils donnent ne remplacent pas des mesures préventives appropriées contre les accidents.

## SYMBOLE SIGNIFICATION



### ALERTE DE SÉCURITÉ:

indique un danger, un avertissement ou une mise en garde. Soyez vigilant afin d'éviter toute blessure grave. Ce symbole peut être combiné à d'autres symboles ou pictogrammes.

**REMARQUE:** donne des informations ou des instructions vitales pour le fonctionnement ou l'entretien de l'équipement.

Lisez le(s) manuel(s) de l'utilisateur et suivez tous les avertissements et consignes de sécurité. Vous pourriez à défaut entraîner des blessures graves pour vous ou d'autres personnes.

SI VOUS AVEZ DES QUESTIONS, APPELEZ LE  
1-800-345-8746

## SYMBOLE SIGNIFICATION



**DANGER:** le non-respect d'un avertissement peut causer dommages matériels ou blessures graves pour tous. Respectez les consignes de sécurité afin de réduire les risques d'incendie, d'électrocution et de blessures.



**AVERTISSEMENT:** le non-respect d'un avertissement peut causer dommages matériels ou blessures graves pour tous. Respectez les consignes de sécurité afin de réduire les risques d'incendie, d'électrocution et de blessures.



**MISE EN GARDE:** le non-respect d'un avertissement peut causer dommages matériels ou blessures graves pour tous. Respectez toujours les consignes de sécurité afin de réduire les risques d'incendie, d'électrocution et de blessures.

## • IMPORTANTES CONSIGNES DE SÉCURITÉ •

### LISEZ TOUTES LES INSTRUCTIONS

#### AVANT L'UTILISATION



**AVERTISSEMENT:** suivez soigneusement les consignes de sécurité lorsque vous utilisez cet appareil. Dans l'intérêt de votre sécurité et de celle des personnes à proximité, prenez soin de lire ces instructions avant de faire fonctionner la machine. Veuillez garder les instructions en lieu sûr pour usage ultérieur.

- Prenez soin de bien lire et comprendre le manuel de l'appareil qui alimente cet accessoire.
- Veuillez lire le manuel de l'utilisateur attentivement. Familiarisez-vous avec les commandes et l'utilisation correcte de l'appareil. Sachez comment arrêter l'appareil et désactiver les commandes rapidement.
- N'utilisez pas l'appareil si vous êtes fatigué, malade ou sous l'effet de l'alcool, de drogues ou de médicaments.
- Ne laissez pas les enfants faire fonctionner l'appareil. Ne laissez jamais des adultes qui ne se sont pas familiarisés avec les instructions utiliser l'appareil. Ne laissez jamais des adultes n'ayant jamais reçu les instructions nécessaires faire fonctionner l'appareil.
- Tous les accessoires de sécurité et protections doivent être correctement installés avant d'utiliser cet appareil.

### AVERTISSEMENTS DE SÉCURITÉ SPÉCIAUX POUR TÊTES D'ENTRAÎNEMENT À ESSENCE

- Ne stockez le carburant que dans des contenants conçus et homologués pour stocker ces matières.



**AVERTISSEMENT:** l'essence est extrêmement inflammable et ses vapeurs peuvent exploser si on y met le feu. Veuillez prendre les précautions suivantes.

- Arrêtez toujours le moteur et laissez-le refroidir avant de remplir le réservoir. N'enlevez jamais le bouchon du réservoir et n'ajoutez jamais de carburant alors que le moteur est chaud. Ne faites jamais marcher l'appareil sans que le bouchon soit bien mis. Desserrez celui-ci lentement afin de réduire la pression du réservoir.
- Mélangez et ajoutez le carburant dans un endroit aéré et propre, en plein air, à l'abri des étincelles ou des flammes. N'enlevez lentement le bouchon du réservoir d'essence qu'après avoir arrêté le moteur. Ne fumez pas pendant le remplissage ou le mélange de carburant. Essuyez immédiatement tout déversement.
- Évitez de mettre le feu au carburant déversé. Ne démarrez pas le moteur avant que les vapeurs de carburant ne se soient dissipées.
- Éloignez l'appareil d'au moins 9,1 m (30 pi) de la source et du site de ravitaillement en carburant avant de démarrer le moteur. Ne fumez pas et éloignez toute source d'étincelles ou de flammes vives du lieu de ravitaillement ou de fonctionnement de l'appareil.
- Évitez de démarrer ou de faire marcher l'appareil à l'intérieur d'une pièce ou d'un bâtiment fermé. La respiration de fumées d'échappement peut tuer. Ne faites marcher l'appareil qu'à l'extérieur, dans un lieu aéré.

# CONSIGNES DE SÉCURITÉ

## PROCÉDURES D'OPÉRATION DE LA SIE DE POLE

- Tenez les visiteurs, surtout les enfants et les animaux familiers à une distance d'au moins 15 m (50 pi).
- Portez des lunettes de sécurité conformes aux normes ANSI Z87.1 ainsi que des protège-oreilles durant l'utilisation de l'appareil. Portez un masque anti-poussière ou facial si votre travail produit beaucoup de poussière. Portez un casque.
- Portez des pantalons épais et longs, des bottes, des gants et une chemise à manches longues. Ne marchez pas pieds nus et évitez les vêtements lâches, bijoux, pantalons courts et sandales. Relevez les cheveux au-dessus des épaules.
- N'utilisez l'appareil qu'en plein jour ou avec un bon éclairage artificiel.
- Utilisez les outils appropriés. N'employez l'outil que pour son usage prévu.
- Arrêtez toujours l'appareil si vous suspendez la coupe ou si vous vous déplacez d'un lieu de travail vers un autre.
- N'utilisez que des pièces de rechange et accessoires d'usine pour cet appareil. Ils sont disponibles auprès de votre concessionnaire agréé. L'utilisation de toutes pièces ou de tous accessoires non-autorisés peut entraîner des blessures graves ou des dommages à l'appareil et l'annulation de votre garantie.

## ATTENTION AUX REBONDS



**AVERTISSEMENT:** Les rebonds peuvent se produire si la tête du guide-chaîne touche un objet, ou si le bois se resserre sur la chaîne de la tronçonneuse dans la coupe. Si un contact a lieu avec la tête du guide-chaîne, la tronçonneuse peut, en l'espace d'une seconde, être projetée de manière incontrôlée dans un mouvement en arc, en direction de l'opérateur. Coincer la chaîne le long de la partie supérieure du guide-chaîne peut pousser le guide-chaîne vers l'arrière, vers l'opérateur. Chacune de ces réactions peut vous faire perdre contrôle de la tronçonneuse et peut entraîner de sérieuses blessures.

Ne comptez pas exclusivement sur les dispositifs de sécurité qui équipent votre tronçonneuse. Vous devriez prendre plusieurs mesures pour éviter tout accident ou toute blessure lorsque vous vous servez de votre sie de pole.

- Comprendre ce qui cause les rebonds peut réduire ou éliminer l'élément de surprise. L'effet de surprise contribue aux accidents.
- Agarre la sierra fermement: Sostenga la sierra fermemente con ambas manos cuando el motor esté en marcha. Mantengo un buen agarre en la sierra con ambas manos, la mano derecha en la manija posterior, y la mano izquierda en la manija frontal, cuando el motor este en marcha. Utilice un agarre firme con los dedos y el pulgar al rededor de las manijas de la sierra.

- No permita que la nariz de la barra guía tenga contacto con un tronco, rama, el suelo u otra obstrucción.
- Scier, le moteur à vitesse maxima.
- No sobrepase su alcance.
- Follow the manufacturer's sharpening and maintenance instructions for the saw chain.
- Utiliser uniquement les guides-chaînes et chaînes spécifiés par le fabricant ou leur équivalent.

## AUTRES PRÉCAUTIONS DE SÉCURITÉ

- Ne pas utiliser la sie de pole d'une seule main! De graves blessures à l'opérateur, toute personne l'aidant ou spectateurs pourraient en résulter. Un sie de pole est conçue pour être utilisée des deux mains.
- Ne vous servez pas d'une tronçonneuse si vous êtes fatigué.
- S'habiller de maniere appropriee: Ne pas porter de vêtements trop amples ou de bijoux cars ils risquent de vous gêner et de se faire prendre dans une partie mobile de l'appareil. L'utilisation des élastiques et des semelles antidérapantes est recommandée pour tout travail à l'extérieur. Les cheveux longs doivent être protégés par un casque ou autre protection.
- Vetements et équipement recommandes: Porter des chaussures, gants et lunettes de protection, des habits moulants, des protecteurs d'oreilles et un casque.
- Faites attention lorsque vous manipulez le carburant. Déplacez la sie de pole à au moins 3m (10 pieds) de l'endroit où vous l'avez ravitaillée avant de lancer le moteur.
- Garder les enfans et spectateurs a distance: Ne laisser personne toucher la sie de pole ou le prolongateur. Personne d'autre que l'opérateur ne doit se trouver dans le rayon d'action de la machine .
- Garder le secteur de travail net: Un lieu de travail encombré est propice aux blessures. Ne pas commencer de coupe avant d'avoir un lieu de travail dégagé, une position stable et une voie de retraite planifiée.
- Rester vigilant: Attention à ce que vous faites. Utiliser votre sens commun. Ne pas manier la sie de pole par moments de fatigue. Rester à l'écart de la chaîne quand le moteur est en marche. Avant de mettre le moteur en marche, s'assurer que la chaîne ne touche rien.
- Débrancher la sie de pole quand non utilisée, avant tout service, et pour tout changement de pièces et accessoires tels le guide-chaîne et la chaîne.
- Examiner les pièces: Avant toute autre utilisation de la sie de pole, un guide-chaîne ou toute autre pièce endommagée devrait être examinée soigneusement afin de pouvoir déterminer si son fonctionnement sera adéquat à sa fonction prévue. Vérifier le montage, l'alignement et la fixation de toute pièce mobile; vérifier qu'il n'y a pas de pièces cassées ou tout autre problème qui affecteraient son fonctionnement. Un guide-chaîne ou toute pièce endommagée devrait être réparée correctement ou remplacée par un centre de réparations agréé, sauf indication contraire dans ce manuel d'instructions.

# CONSIGNES DE SÉCURITÉ

- Observer les alentours de votre secteur de travail: Etre vigilant lors de la coupe de petits buissons et arbustes car les matériaux plus fins peuvent «s'attraper» dans la chaîne et être projetés dans votre direction ou vous faire perdre l'équilibre. Ne jamais se servir de la sie de pole en se tentant dans un arbre à moins d'avoir reçu une formation spéciale. Faire attention à ne pas être heurté par les branches sous tension qui se relâchent lors de leur coupe. Ne pas laisser la sie de pole exposée aux intempéries. Ne pas laisser la sie de pole exposée aux intempéries. Ne pas utiliser la sie de pole dans un endroit mouillé ou humide. Ne pas utiliser la sie de pole en présence de produits (liquides ou gaz) combustibles.
- Tous les services d'entretien de la sie de pole, à l'exception de ceux mentionnés dans le manuel d'utilisation et d'entretien, doivent être effectués par un personnel compétent. Ne pas essayer de faire les réparations soi-même ; il n'y a pas de pièces internes réparables.
- Quand non utilisée, ranger la sie de pole hors de la portée des enfants, à une hauteur inaccessible ou sous clé, et dans un endroit sec.
- Ne pas forcer la tronçonneuse: La sie de pole aura une meilleure performance, et une plus sûre, si elle est utilisée au rythme pour lequel elle a été conçue.
- Utiliser le bon outil: Ne couper que du bois. Ne pas utiliser la sie de pole à des fins pour lesquelles elle n'a pas été conçue. Ne jamais utiliser la sie de pole pour couper plastique, maçonnerie, ou tout autre matériel n'étant pas pour la construction.
- Utilice mecanismos tales como cadenas de contragolpe bajo, protectores para la nariz de la barra guía, chain brakes y barras guías especiales, los cuales reducen los peligros relacionados con el contragolpe.
- Il n'y aucune autre pièce de rechange qui permet d'obtenir une protection contre les rebonds selon la norme de l'ACNOR Z62-3
- Ne jamais utiliser une sie de pole endommagée, mal ajustée, non complètement ou incorrectement montée. S'assurer qu'il y a arrêt de la chaîne quand la gâchette est relâchée.
- Ne pas utiliser la sie de pole au delà de vos capacités ou expérience.
- Cette tronçonneuse est classifiée tronçonneuse catégorie 2C par ACNOR. Elle est conçue pour des usages inférieurs de travaux tels que dégager, tailler ou couper du bois... par des propriétaires de maison ou résidences secondaires ou par des campeurs. Elle n'est pas conçue pour une utilisation prolongée. Si le travail prévu demande de longues périodes d'utilisation, la vibration risque de causer des problèmes de circulation aux mains de l'opérateur. Il serait approprié d'utiliser une tronçonneuse pourvue d'un dispositif anti-vibration.
- Ne jamais en lever, modifier ou paralyser un dispositif de sécurité fourni avec l'appareil.
- Les vêtements de protection exigés par vos organisations / syndicats de travail, par les réglementations gouvernementales ou par votre employeur doivent être utilisés ; sinon, des habits moulants, des chaussures de sécurité et un protection pour les oreilles et les mains doivent être portés.
- Une chaîne à «rebonds réduits» répond aux normes de performance pour «rebonds réduits» exigées par ANSI B175.1-1991 et correspond aux critères de la norme ACNOR Z62.3. Ne pas utiliser d'autre chaîne de rechange à moins qu'elle ne réponde aux exigences de votre modèle en particulier.
- N'utiliser aucun autre accessoire ou accessoire de coupe. Utilisez exclusivement les accessoires et pièces de rechange d'origine du fabricant, qui ont été spécifiquement conçus pour des performances et pour une sécurité optimales lors de l'utilisation de nos produits. Faut de quoi, vous risquez d'obtenir des performances réduites, voire de vous mettre en danger. Utilisez exclusivement la chaîne et la barre fournies avec ce produit. Ne pas utiliser d'autre accessoire de coupe. L'utilisation de ce type d'accessoires provoquera l'annulation de votre garantie fabricant et risque de vous exposer à des accidents graves.
- Ne touchez jamais la chaîne et n'essayez jamais de travailler à la sie de pole lorsque le moteur tourne. Assurez-vous que toutes les pièces mobiles soient bien arrêtées. Laissez la sie de pole refroidir car la chaîne peut être chaude.
- Vérifiez le guide-chaîne et la chaîne régulièrement et ajustez si nécessaire. Assurez-vous que le guide-chaîne et la chaîne soient bien serrés et que la chaîne soit bien aiguisée. Inspectez visuellement pour tout dommage. Réparez tout dommage avant d'utiliser ou de remettre la sie de pole en marche.
- Ne pas vous en servir près de câbles électriques ou de lignes à haute tension.
- Ne pas utiliser la perche élagueuse pour abattre un arbre. Utilisez une tronçonneuse normale pour ce faire.

## ENTRETIEN ET ENTREPOSAGE

- Laissez le moteur refroidir avant de l'entreposer ou de le transporter. Attachez bien l'appareil pendant le transport.
- Rangez l'appareil dans un endroit verrouillé et sec, ou élevé et sec, hors de portée des enfants, pour éviter une utilisation indésirable ou un accident.
- Ne trempez et n'arrosez jamais l'appareil avec de l'eau ou tout autre liquide. Gardez les poignées sèches, propres et exemptes de débris. Nettoyez après chaque usage.
- Conservez ces instructions. Consultez-les souvent et servez-vous en pour instruire d'autres usagers. Si vous prêtez l'appareil à quelqu'un, prêtez-lui également ces instructions.
- Les réparations ou les procédures d'entretien qui ne sont pas décrites dans le manuel doivent être strictement confiées à des techniciens qualifiés.

**CONSERVEZ CES INSTRUCTIONS**

# CONSIGNES DE SÉCURITÉ

## SYMBOLES DE SÉCURITÉ ET INTERNATIONAUX

Ce manuel de l'utilisateur décrit les symboles et pictogrammes de sécurité et internationaux pouvant apparaître sur ce produit. Consultez le manuel de l'utilisateur pour les informations concernant la sécurité, le montage, le fonctionnement, l'entretien et les réparations.

### SYMBOLE

### SIGNIFICATION



- **SYMBOLE ALERTE DE SÉCURITÉ**

Indique un danger, un avertissement ou une mise en garde. Ce symbole peut être combiné à d'autres symboles ou pictogrammes.



- **AVERTISSEMENT - LISEZ LE MANUEL DE L'UTILISATEUR**

Lisez le manuel de l'utilisateur et suivez tous les avertissements et consignes de sécurité. Vous pourriez à défaut entraîner des blessures graves pour vous ou d'autres personnes.



- **PORTEZ DES PROTECTIONS (TÊTE, YEUX ET OREILLES)**

**AVERTISSEMENT:** les objets projetés et les bruits forts peuvent endommager la vue et l'ouïe. Portez une visière de norme ANSI Z87.1-1989 et des protège-oreilles pendant l'utilisation. La chute d'objets peut causer des blessures graves à la tête. Protégez-vous la tête pendant l'utilisation de l'appareil.



- **ÉLOIGNEZ LES SPECTATEURS**

**AVERTISSEMENT :** éloignez les spectateurs, les enfants et les animaux domestiques en particulier, d'au moins 15 m (50 pi) de la zone de coupe.

### SYMBOLE

### SIGNIFICATION



- **LES OBJETS PROJETÉS ET LA LAME ALTERNATIVE PEUVENT CAUSER DES BLESSURES**

**AVERTISSEMENT :** inspectez l'appareil avant utilisation. N'utilisez pas l'appareil si la lame est tordue, fendillée ou émoussée. Restez à l'écart de la lame.



- **AVERTISSEMENT SUR LE GUIDE-CHAÎNE**

Évitez tout contact de l'extrémité du guide-chaîne avec tout objet. Le contact de l'extrémité peut entraîner un mouvement brusque du guide-chaîne vers le haut et en arrière, ce qui entraîne de sérieuses blessures.



- **TENEZ À DEUX MAINS**

Tenez toujours la tronçonneuse à deux mains lors de son utilisation. Ne la tenez jamais à une main.

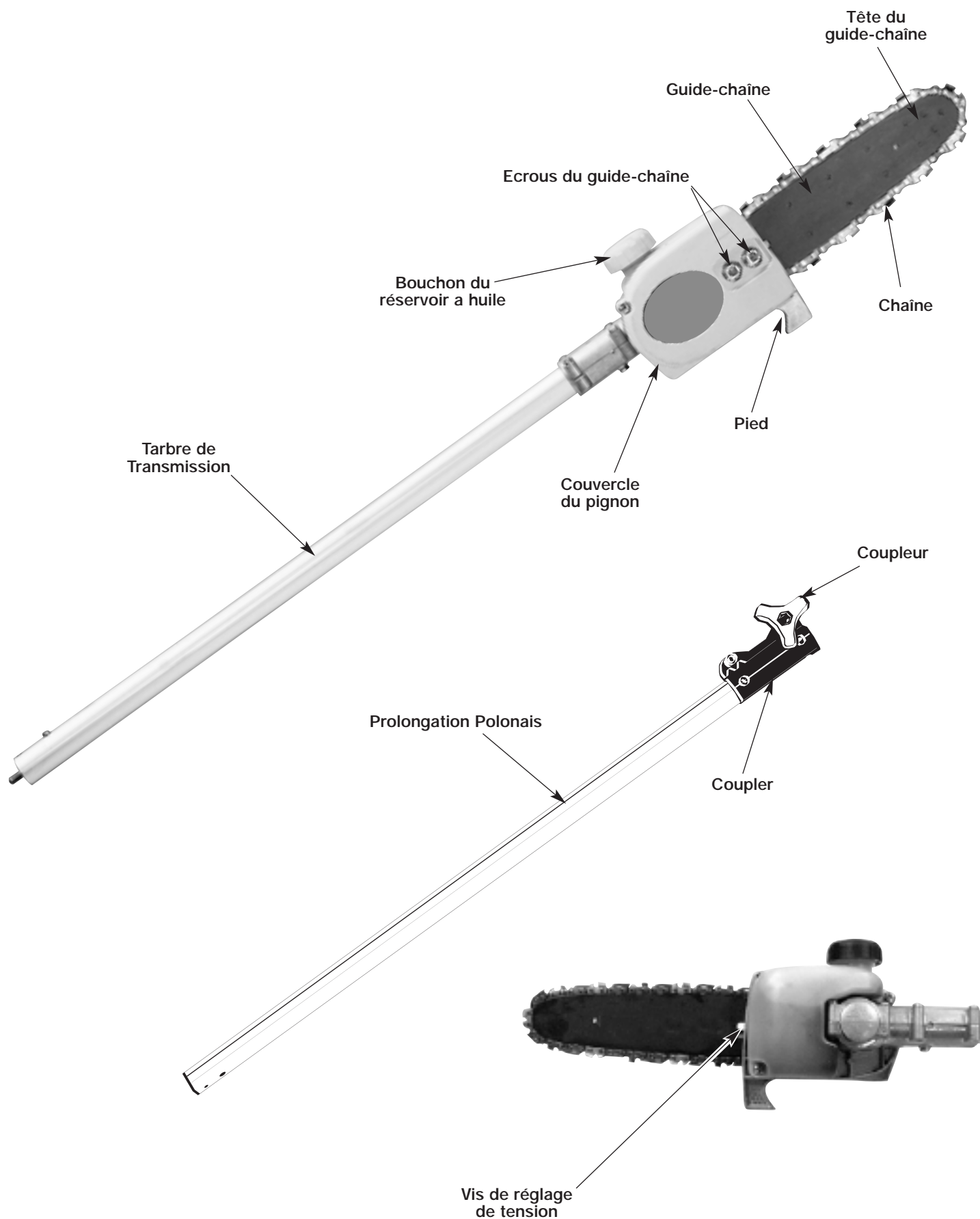


- **AVERTISSEMENT SURFACE CHAUDE**

Ne touchez pas un silencieux ou un cylindre chaud. Vous pourriez vous brûler. Ces pièces deviennent très chaudes à l'utilisation. Elles restent chaudes brièvement après l'arrêt.

# CONSIGNES DE SÉCURITÉ

FAMILIARISEZ-VOUS AVEC VOTRE APPAREIL



# MODE D'EMPLOI

## MONTAGE DU COUPLEUR

Les accessoires TrimmerPlus suivants sont également disponibles pour votre appareil :

Cultivateur .....	GC720r
Edger .....	LE720r
Taille-haies .....	HS720r
Désherbeuse à arbre droit .....	SS725r
Turbosouffleuse .....	TB720r
Scie à long manche .....	TBPS



**REMARQUE :** pour faciliter l'installation ou le retrait d'accessoires, placez l'appareil au sol ou sur un établi.

**REMARQUE :** La rallonge fournie avec cette unité est destinée à donner à l'utilisateur une plus longue portée. Suivez les instructions pour le démontage et l'installation des accessoires lorsque vous démontez ou installez la rallonge.

### Retrait de l'accessoire

1. Dévissez le bouton vers la gauche (Fig. 1).
2. Appuyez sur le bouton de déclenchement et maintenez-le enfoncé (Fig. 1).
3. En tenant fermement le logement de l'arbre supérieur, retirez l'accessoire du coupleur (Fig. 2).



### Installation de l'accessoire

1. Enlevez le crochet de la partie supérieure du corps de l'arbre.
2. Dévissez le bouton vers la gauche (Fig. 1).
3. Tenez fermement l'accessoire et enfoncez-le tout droit dans le coupleur (Fig. 2).

**REMARQUE :** alignez le bouton de déclenchement avec le renforcement-guide pour faciliter l'installation (Fig. 1).

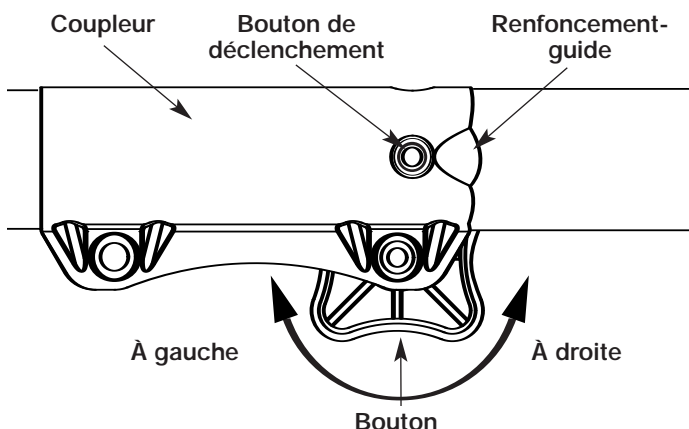


Fig. 1

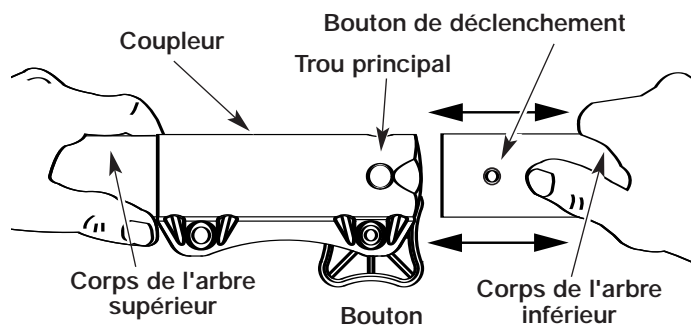


Fig. 2

4. Serrez le bouton en le tournant à droite (Fig. 3).

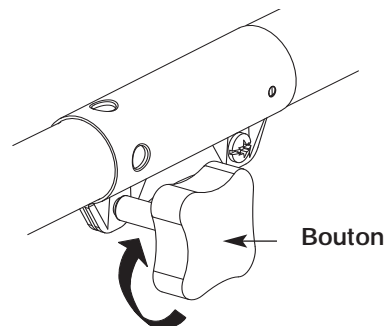


Fig. 3



L'accessoire doit être installé avec le bouton de déclenchement dans le trou principal.

### Vérifiez que le bras flexible est bien engagé avant l'utilisation

1. Démarrez l'appareil.
2. Appuyez brièvement sur la détente, puis relâchez-la.
3. Vérifiez le fonctionnement de l'accessoire.
4. S'il ne fonctionne pas, retirez-le et répétez la procédure d'installation.
5. Vérifiez de nouveau le fonctionnement de l'accessoire.

## PRECAUTIONS D'UTILISATION



**AVERTISSEMENT:** Portez des vêtements appropriés pour diminuer les risques de blessures durant l'utilisation de l'appareil. Ne portez pas de vêtements amples ni de bijoux. Portez des lunettes de sécurité et des protège-oreilles. Portez des pantalons épais et longs, des bottes et des gants. Ne marchez pas pieds nus et évitez les pantalons courts et les sandales.

1. Éloigner les spectateurs à une distance de 15 mètres (50 pieds) quand la scie est em marche.
2. Ne pas utiliser la perche élagueuse pour abattre un arbre; A cet effet, utiliser la tronçonneuse sans la perche
3. Tenir la perche élagueuse fermement, une main sur la canne, l'autre sur la poignée.
4. Ne mettre le doigt sur l'interrupteur qu'au moment de couper.
5. S'assurer que la chaîne ne touche rien, avant de mettre l'appareil en marche.
6. Rester à l'écart de la chaîne lorsque le moteur est en marche.
7. Ne pas forcer l'appareil pendant la coupe. Une légère pression est suffisante et vous obtiendrez une meilleure performance et une plus s'ère en l'utilisant à la puissance pour laquelle il a été conçu.
8. Rester vigilant en coupant petites ou grosses branches sous tension, car au moment où la tension se relâche, le bois peut avoir un mouvement ressort et heurter l'utilisateur pouvant ainsi causer de sérieuses blessures parfois mortelles.
9. Avant de déplacer la perche élagueuse:
  - tenir l'appareil à son point d'équilibre (vers le bout de la tronçonneuse)
  - garder chaîne et guide chaîne vers l'arrière.
10. Ne pas couper de petits buissons ou jeunes arbres avec la perche élagueuse; utiliser exclusivement la tronçonneuse avec soin. Les fines branches peuvent se coincer dans la chaîne et être projetées vers vous, ce qui peut vous faire perdre votre équilibre.
11. Ne jamais se tenir sous la branche que vous coupez. Rester toujours à l'écart des chutes de débris (Fig. 4).
12. Ne jamais se mettre sur une échelle ou autre support instable pendant l'utilisation de la perche élagueuse.
13. Toujours utiliser les deux mains pour utiliser l'appareil. Garder une pression constante et ferme pendant la coupe sans forcer dans le bois
14. Ne pas utiliser la scie à poteau pour couper des branches d'un diamètre supérieur à 10 cm (4 po).
15. Garder tout le monde à l'écart de la partie coupante de la perche élagueuse et à une bonne distance de la zone de travail (Fig. 5).
16. Ne pas utiliser la perche élagueuse près de câbles, fils téléphoniques ou électriques. Garder une distance d'au moins 10 pieds (Fig. 6).



Fig. 4

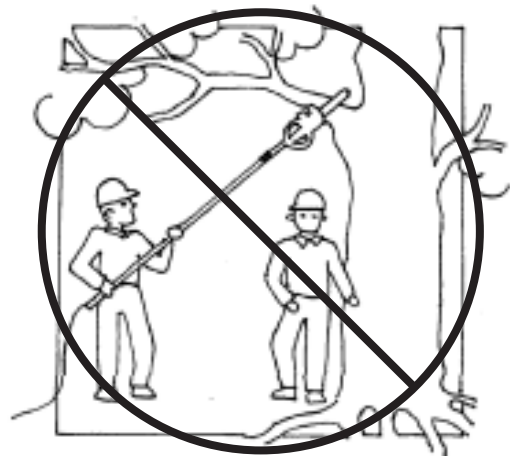


Fig. 5



Fig. 6

# MODE D'EMPLOI

## TAILLER UN ARBRE (ELAGUAR)



**AVERTISSEMENT:** Évitez les rebonds. Le rebond risque de provoquer un accident grave voire un décès. Pour éviter les risques de rebond, voir la section Rebond, page 9.



**AVERTISSEMENT:** Ne pas utiliser l'ébrancheuse dans un arbre ou sur une échelle, ni sur toute autre surface de travail ou dans toute position instable. Vous risqueriez de perdre le contrôle de l'ébrancheuse et de causer un accident grave.



**AVERTISSEMENT:** Ne levez pas les bras plus haut que vos épaules lorsque vous utilisez l'ébrancheuse.



**AVERTISSEMENT:** Si vous vous trouvez confronté à une situation à laquelle vous ne savez pas comment faire face, demandez l'aide d'un professionnel.

Éviter les rebonds. Ils peuvent causer de graves blessures parfois mortelles.

Ne pas utiliser la perche élagueuse en étant sur un arbre, une échelle ou autre endroit en position instable. Vous risquez de perdre le contrôle de la perche élagueuse, ce qui pourrait causer de sérieuses blessures.

Ne pas allonger les bras au-dessus des épaules pendant l'utilisation de la perche élagueuse.

Veillez consulter un professionnel si les conditions de travail sont au-delà de vos capacités.

Tailler un arbre signifie couper des branches d'un arbre vivant. S'assurer de votre bon équilibre. Garder les pieds écartés. Répartir votre poids.

1. Lorsque vous utilisez l'ébrancheuse, appuyez le pied (A) de l'ébrancheuse contre la branche que vous voulez couper. (Fig. 7)
2. Faites une première entaille à trente (30) centimètre de l'endroit où doit se faire la coupe finale. (Fig. 8)
3. Coupez le collet de la branche afin d'éviter d'endommager l'arbre. (Fig. 9)

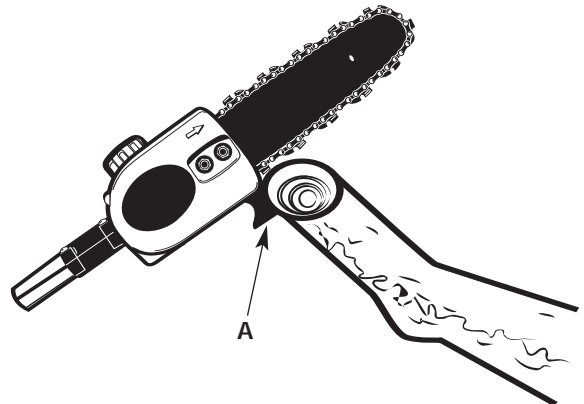


Fig. 7

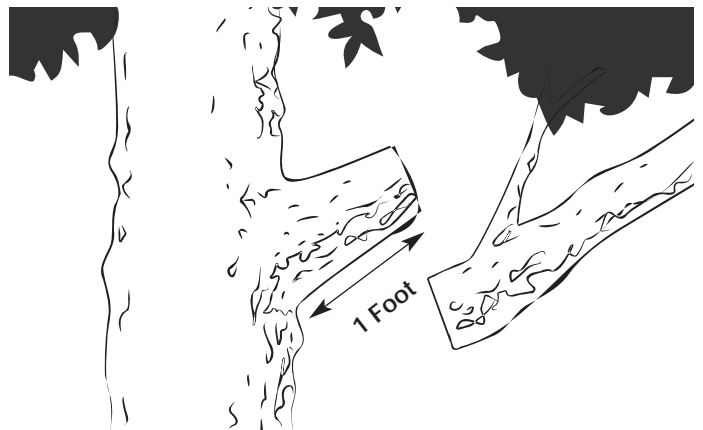


Fig. 8

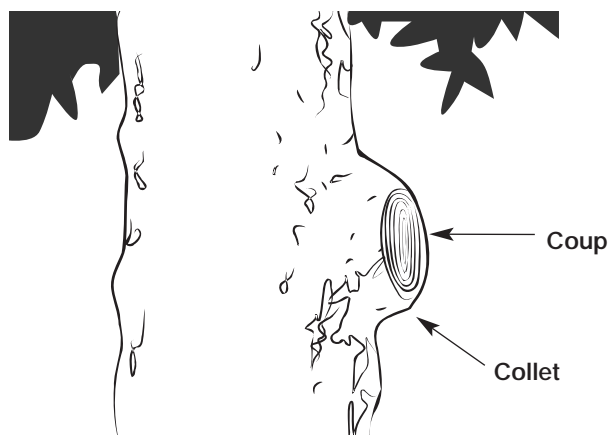


Fig. 9



# INSTRUCCIONES DE MANTENIMIENTO Y REPARACIÓN

## CHAINION REMPLACEMENT



**AVERTISSEMENT:** Pour toute manipulation de la chaîne, porter des gants de protection à cause des tranchants d'attaque affilés.

1. Retirez la vis et les écrous maintenant le guide-chaîne en place. Enlevez ensuite la protection du pignon (Fig. 10a).
2. En vous servant d'un tournevis plat, tournez la vis de réglage de la tension dans le sens contraire des aiguilles d'une montre (Fig. 10b) aussi loin que possible ou à fond, retirez la chaîne puis le guide-chaîne.

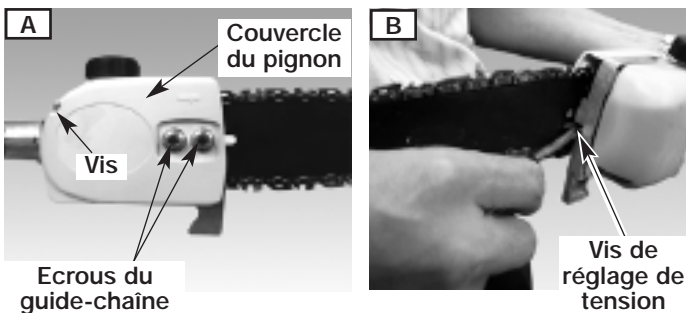


Fig. 10

3. Préparez la nouvelle chaîne ou le nouveau guide-chaîne.
4. Passez la chaîne par dessus le pignon avec les lames de la chaîne tournées dans la direction de la rotation (Fig. 11).
5. Ajustez la vis de réglage de la tension (Fig. 10b) afin de pouvoir insérer le guide-chaîne (Fig. 12). Veillez à ce que la chaîne suive la rainure dans le guide-chaîne et tournez la vis de réglage de la tension pour serrer la chaîne.
6. Installez la protection du pignon et serrez la vis et les écrous (Fig. 10a).

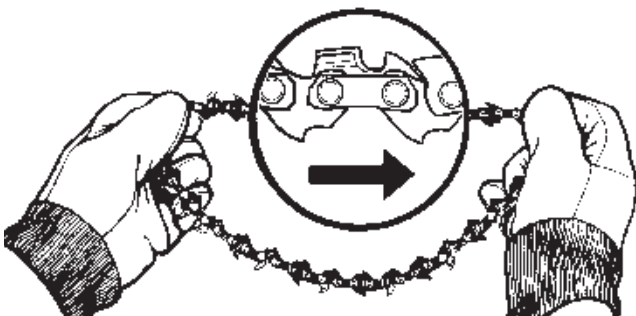


Fig. 11

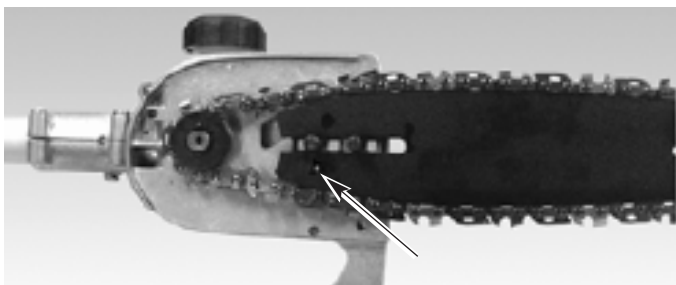


Fig. 12

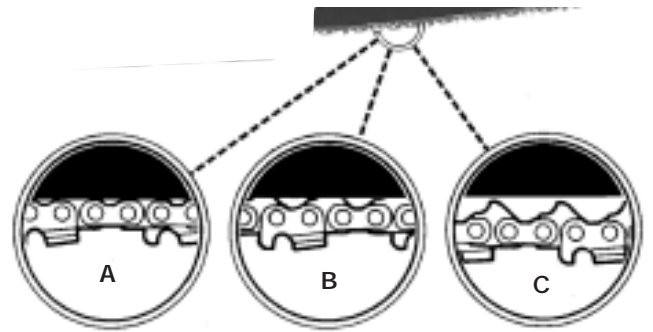


Fig. 12

## REGLAGE DE LA TENSION DE LA CHAÎNE

La tension de la chaîne est d'une importance capitale et doit être contrôlée avant de commencer et pendant tout travail de coupe. Prendre le temps de faire les réglages nécessaires à la chaîne de votre tronçonneuse est synonyme de bonne performance et de longévité de votre outil.

**REMARQUE :** La tension d'une chaîne neuve doit être contrôlée fréquemment pendant son rodage, après aussi peu que cinq coupes. Les intervalles entre réglages s'espaceront rapidement (Fig. 12).



**MISE EN GARDE:** Si une chaîne est trop tendue ou trop lâche, le guide-chaîne et les roulements de vilebrequin s'useront plus rapidement. Étudier la Figure 11 pour tout renseignement concernant la tension appropriée pour moteur chaud (A) ou froid (B), et comme guide indiquant quand la chaîne a besoin d'être ajustée (C).

1. Desserrer les écrous jusqu'à ce qu'ils puissent être serrés à la main (Fig. 10a).
2. Tenir la tête du guide-chaîne vers le haut et utiliser un tournevis ou la clé multiple si fournie dans votre kit d'utilisateur pour tourner la vis de réglage du guide-chaîne dans le sens des aiguilles d'une montre pour serrer la chaîne (Fig. 10b). Tourner la vis dans le sens inverse des aiguilles d'une montre détend la chaîne sur le guide-chaîne.
3. Après avoir ajusté la chaîne et toujours portant des gants de protection robustes, tirer la chaîne vers l'avant puis l'arrière, dans un mouvement d'aller retour le long du guide-chaîne pour s'assurer qu'elle bouge librement et qu'elle est bien placée sur le pignon. Ne pas chaîne de mouvement avec les mains nues.

**REMARQUE :** La chaîne est trop tendue s'il est difficile de la faire tourner ou si elle accroche sur le guide-chaîne ; l'ajuster de la manière suivante : Pour diminuer la tension, tourner lentement la vis de réglage dans le sens inverse des aiguilles d'une montre (vers la gauche). Tirer la chaîne vers l'avant et l'arrière à plusieurs reprises jusqu'à ce qu'elle bouge librement.

## HUILER LA CHAÎNE

Les passages d'huile au niveau du support de barre doivent rester dégagés afin de permettre la bonne lubrification de la barre et de la chaîne en cours d'utilisation. Pour cela, insérez un fil de fer souple assez fin pour passer dans l'orifice de décharge d'huile.

## ENTRETIEN DU GUIDE-CHAÎNE



**REMARQUE :** Un entretien adéquat du guide-chaîne, comme expliqué dans cette section est essentiel au bon fonctionnement de la tronçonneuse.

La majorité des problèmes du guide-chaîne peuvent être évités simplement par un bon entretien.

Un affûtage et des limeteurs de profondeur incorrects, ou des tranchants non-uniformes causent la majorité des problèmes du guide-chaîne, le résultat étant primordialement une usure inégale. L'usure non-uniforme du guide-chaîne espace les rainures, ce qui peut causer un bruit de chaîne et des problèmes pour obtenir une coupe droite.

Une lubrification insuffisante du guide-chaîne et l'utilisation de la tronçonneuse avec une chaîne *trop ajustée* contribue à l'usure rapide du guide-chaîne. Voir *Reglage de la Tension de la Chaîne*.

Pour minimiser l'usure de guide-chaîne, nous recommandons l'entretien suivant:

### Usure du Guide-Chaîne

Tourner le guide-chaîne fréquemment et à intervalles réguliers (après 5 heures d'utilisation par exemple), afin d'assurer une usure uniforme sur le haut et le bas du guide-chaîne.

## Rainures du Guide-Chaîne

Les rainures du guide-chaîne (ou les «gorges» qui soutiennent et portent la chaîne) doivent être nettoyées si la chaîne a été fortement utilisée ou si elle paraît sale. Les rainures doivent être nettoyées à chaque retrait de chaîne.

Nettoyage des rainures du guide-chaîne:

1. Enlever le couvercle du pignon, le guide-chaîne et la chaîne. Voir *Reglage de la Tension de la Chaîne*.
2. A l'aide d'un tournevis, d'une spatule, d'une brosse en fil de fer ou autre outil similaire, enlever tout résidu des rainures du guide-chaîne de la tronçonneuse. Les passages d'huile seront ainsi dégagés et fourniront une lubrification adéquate à la chaîne et au guide-chaîne (Fig. 14).
3. Replacer le guide-chaîne, la chaîne et les écrous du guide-chaîne. Voir *Reglage de la Tension de la Chaîne*.



Fig. 14

# INSTRUCCIONES DE MANTENIMIENTO Y REPARACIÓN

## ENTRETIEN DE LA CHAÎNE



**AVERTISSEMENT:** A moins d'avoir reçu une formation spéciale et d'être expérimenté en ce qui concerne les rebonds (Voir les *Consignes de Sécurité*), utiliser toujours un chaîne de sécurité qui réduit de manière significative les dangers de rebonds. Une chaîne de sécurité ne peut en aucune manière éliminer totalement les risques de rebonds. Une chaîne à «rebonds réduits» ou chaîne de sécurité ne doit jamais être considérée comme protection totale contre des blessures potentielles.

Une chaîne de sécurité doit toujours être utilisée en conjonction avec d'autres dispositifs de sécurité tels et l'Arceau Protecteur fournis avec la tronçonneuse.

Utiliser toujours une chaîne de rechange conçue pour réduire les rebonds ou une chaîne qui rébond aux normes de ANSI (L'Institut des Standards Nationaux Américains).

Une chaîne standard de tronçonneuse (c'est à dire une chaîne ne possédant pas de maillons de protection réduisant les rebonds) ne doit être utilisée que par des professionnels du métier.

### Chaîne à Rebonds Réduits

Une chaîne à rebonds réduits est une chaîne dont la performance répond aux normes requises par ANSI B175.1. Ne pas utiliser d'autre chaîne de rechange à moins qu'elle ne réponde aux exigences de votre modèle en particulier.

Maintenir la chaîne de la tronçonneuse en bon état de fonctionnement et les entretenir correctement comme indiqué dans ce manuel, vous permettra de garder le système de sécurité aussi longtemps que votre outil.



**AVERTISSEMENT:** Ne jamais supprimer, modifier ou désactiver un dispositif de sécurité monté sur votre unité. La chaîne à faible rebond est une fonction de sécurité essentielle destinée à assurer votre protection.



**AVERTISSEMENT:** Assurez-vous que la tronçonneuse soit éteinte ou que la bougie soit débranchée (à essence) avant d'effectuer tout entretien de votre tronçonneuse. Portez des gants de protection épais.

### Tension de la Chaîne

Contrôler fréquemment la tension de la chaîne et la régler aussi souvent que nécessaire afin de garder la chaîne bien ajustée le long du guide-chaîne, mais suffisamment lâche pour pouvoir la faire avancer à la main. Voir *Reglage de la Tension de la Chaîne*.

### Rodage d'une Nouvelle Chaîne de Tronçonneuse

Une nouvelle chaîne et un nouveau guide-chaîne doivent être réajustés après aussi peu que 5 coupes. Ceci est normal en période de rodage, puis les intervalles entre les réglages commenceront à s'espacer rapidement.

Par contre, après un certain temps, les parties mobiles de la chaîne de la tronçonneuse s'useront, résultant en ce qu'on appelle *detente de chaîne*. Cela est normal. Quand il n'est plus possible d'obtenir un réglage de tension correct, un maillon devra être enlevé pour raccourcir la chaîne. Pour effectuer cette réparation, voir votre Service Après-Vente TrimmerPlus agréé dont le nom figure sous la rubrique «SCIE» dans les pages jaunes de votre annuaire téléphonique.



**AVERTISSEMENT:** Ne jamais enlever plus de trois maillons d'une chaîne. Cela pourrait endommager la roulette.

## CARACTÉRISTIQUES

Poids de l'appareil (accessoire seulement) .....	1,5 kg (3,3 lbs.)
Longueur de l'arbre de transmission .....	66cm (26 po)
Largeur de coupe .....	200mm (8 po)

## GARANTIE LIMITÉE DU FABRICANT POUR:

# TrimmerPlus®

La garantie limitée énoncée ci-après est accordée par TrimmerPlus et concerne les marchandises neuves achetées et utilisées aux États-Unis, ses possessions et territoires.

TrimmerPlus garantit ce produit contre tout vice de matière ou de façon pendant une période de deux (2) ans à compter de la date d'achat initiale et elle se réserve le choix de réparer ou de remplacer, à titre gratuit, toute pièce présentant un vice de matière ou de façon. Cette garantie limitée ne s'appliquera que dans la mesure où le produit aura été utilisé et entretenu conformément au Manuel de l'utilisateur fourni avec le produit et n'aura pas fait l'objet d'un usage inadéquat, abusif, commercial ou négligent, d'un accident, d'un entretien inadéquat, d'une modification, de vandalisme, d'un vol, d'un incendie, de dégâts d'eau ou d'un endommagement résultant d'un autre péril ou d'un désastre naturel. Les dommages résultants de l'installation ou de l'utilisation de tout accessoire ou équipement non approuvé par TrimmerPlus pour une utilisation avec le(s) produit(s) couvert(s) par le présent manuel annuleront la garantie en ce qui concerne les dommages qui en résulteraient éventuellement. La présente garantie est limitée à quatre-vingt-dix (90) jours à compter de la date d'achat au détail initiale pour tout produit TrimmerPlus utilisé à des fins locatives ou commerciales, ou toute utilisation produisant des revenus.

**POUR L'OBTENTION DU SERVICE DE GARANTIE :** le service au titre de la garantie est disponible, SUR PRÉSENTATION D'UNE PREUVE D'ACHAT, AUPRÈS DU DISTRIBUTEUR AGRÉÉ LOCAL. Pour trouver un distributeur dans votre région, visitez notre site Web [www.TrimmerPlus.com](http://www.TrimmerPlus.com), consultez les Pages Jaunes, appelez le **1-800-345-8746** ou écrivez à l'adresse TrimmerPlus, PO Box 361131, Cleveland, OH 44136-0019.

**La garantie limitée n'offre aucune couverture dans les cas suivants :**

- A. Mises au point : bougies, réglages de carburateur, filtres
- B. Éléments pouvant s'user : boutons de butée, bobines extérieures, fil de coupe, moulinets intérieurs, poulie du démarreur, cordons de démarrage, courroies d'entraînement
- C. TrimmerPlus n'accorde aucune garantie pour les produits vendus ou exportés des États-Unis d'Amérique, de leurs possessions et territoires, exception faite en ce qui concerne les produits vendus par l'intermédiaire de ses canaux agréés de distribution à l'exportation.

TrimmerPlus se réserve le droit de modifier ou d'améliorer la conception de ses produits sans pour autant assumer l'obligation de modifier tout produit d'une fabrication plus ancienne.

**Aucune garantie implicite, y compris toute garantie de valeur marchande ou d'adaptation à une fin particulière, ne s'applique après la période applicable de garantie expresse écrite ci-dessus concernant les pièces qui sont identifiées. Aucune autre garantie ou caution expresse, écrite ou orale, à l'exception de celle mentionnée ci-dessus, accordée par toute personne ou entité, y compris tout distributeur ou détaillant, concernant tout produit n'engagera la responsabilité de TrimmerPlus. Pendant la période de garantie, le recours exclusif est la réparation ou le remplacement du produit dans les conditions énoncées ci-dessus. (Certains états ne permettent pas la limitation de la garantie implicite, il est donc possible que la limitation ci-dessus ne s'applique pas à vous.)**

**Les clauses énoncées dans la présente Garantie constituent le recours unique et exclusif inhérent aux ventes. TrimmerPlus ne sera en aucun cas tenue pour responsable de tout dommage indirect ou consécutif ou de dommages comprenant, entre autres, les dépenses encourues du fait du recours à des services de remplacement ou de substitution pour l'entretien des pelouses, le transport ou des frais connexes, ou les frais entraînés par une location destinée à remplacer provisoirement un produit sous garantie. (Certains états ne permettent pas la limitation de la garantie implicite, il est donc possible que la limitation ci-dessus ne s'applique pas à vous.)**

Aucun recouvrement, quel qu'il soit, ne sera d'un montant supérieur au prix du produit vendu. Toute modification des dispositifs de sécurité du produit annulera la présente Garantie. Vous assumez tout risque et toute responsabilité résultant de la perte, de l'endommagement ou du préjudice que vous et votre propriété et/ou d'autres et leur propriété pourront encourir d'un fait de l'utilisation normale, de la mauvaise utilisation ou de l'incapacité d'utiliser le produit.

La présente garantie limitée n'est accordée qu'à l'acheteur initial, au preneur initial ou à la personne à laquelle le produit a été offert.

**Le Droit des États vis à vis de la présente garantie :** la présente garantie vous confère certains droits juridiques et vous pouvez bénéficier d'autres droits lesquels varient d'un état à l'autre.

Pour obtenir l'adresse du distributeur réparateur le plus proche, composez le : **1-800-345-8746**.

**MTD Southwest Inc**

PO Box 361131

Cleveland, OH 44136-0019

# **TrimmerPlus**<sup>®</sup>

## Manual Del Operador

Cortadora de  
Poste  
PS720r



**IMPORTANTE: LEA LAS REGLAS DE SEGURIDAD E INSTRUCCIONES DETENIDAMENTE**

P/N 9096-A10708 © 2005  
HECHO EN TAIWAN

# INTRODUCCION

## MUCHAS GRACIAS

Gracias por haber adquirido este gran producto. Esta moderna herramienta motriz de exteriores está diseñada para brindarle muchas horas de servicio útil. Usted comprobará que es un artefacto que le ahorrará mucho trabajo. Este manual del operador le brinda instrucciones de operación de fácil comprensión. Lea todo el manual y siga todas las instrucciones para mantener su nueva herramienta motriz de exteriores en las mejores condiciones de funcionamiento.

## REFERENCIAS, ILUSTRACIONES Y ESPECIFICACIONES DEL PRODUCTO

Toda la información, las ilustraciones y las especificaciones contenidas en este manual se basan en la información más reciente disponible en el momento de impresión del manual. Nos reservamos el derecho de hacer cambios en cualquier momento sin aviso previo.

Copyright© 2004 MTD SOUTHWEST INC. Todos los derechos reservados.

## INFORMACION DEL SERVICIO

El servicio de esta unidad, ya sea durante o después del período cubierto por la garantía, debe ser realizado solamente por un proveedor de servicios autorizado y aprobado.

El servicio de esta unidad, ya sea durante o después del período cubierto por la garantía, debe ser realizado solamente por un proveedor de servicios autorizado y aprobado. Llame **1-800-345-8746** para obtener una lista de distribuidores de servicio localizados cerca de usted. Para obtener más detalles sobre su unidad, visite nuestro sitio en **www.TrimmerPlus.com**.

NO REGRESE SU UNIDAD AL VENDEDOR. PARA SOLICITAR SERVICIO POR LA GARANTIA, DEBERA PRESENTAR PRUEBA DE SU COMPRA.

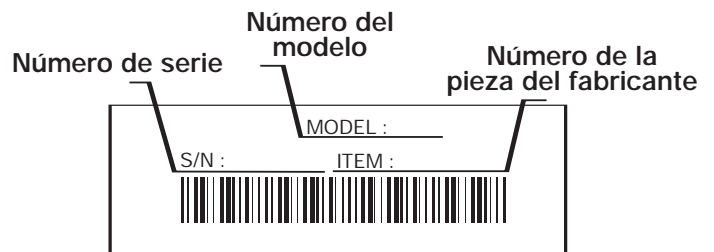
*Antes de arrancar u operar este equipo, asegúrese de leer y comprender bien este manual.*

ESTE PRODUCTO ESTA CUBIERTO POR UNA O MAS PATENTES DE EE.UU., OTRAS PATENTES EN TRAMITE.

## INDICE DE CONTENIDOS

Introducción .....	2
Normas para una operación segura .....	3
Conozca su unidad .....	7
Instrucciones de operación .....	8
Instrucciones de mantenimiento y reparación .....	11
Especificaciones .....	13
Garantía .....	16
Lista de Piezas .....	Contraportada

Antes de que empiece a ensamblar su nuevo equipo, por favor ubique la placa que contiene el modelo de la unidad y escriba esa información en el espacio en blanco aquí debajo. Aquí debajo se explica la muestra de una placa del modelo.



Copie el número del modelo/  
pieza del fabricante aquí: \_\_\_\_\_

Copie el número  
de serie aquí: \_\_\_\_\_

# NORMAS PARA UNA OPERACION SEGURA

Los símbolos de seguridad se utilizan para llamar su atención sobre posibles peligros. Los símbolos de seguridad y sus explicaciones merecen toda su atención y comprensión. Los símbolos de seguridad no eliminan ningún peligro por sí mismos. Las instrucciones o advertencias que ofrecen no substituyen las medidas adecuadas de prevención de accidentes.

SIMBOLO	SIGNIFICADO
---------	-------------



## ALERTA DE SEGURIDAD:

Indica peligro, advertencia o precaución. Debe prestar atención para evitar sufrir graves lesiones personales. Puede ser utilizado junto con otros símbolos o figuras.

**NOTA:** Le ofrece información o instrucciones que son esenciales para la operación o mantenimiento del equipo.

Lea el manual del operador y siga todas las advertencias e instrucciones de seguridad. De no hacerlo, el operador y/o los espectadores pueden sufrir graves lesiones.

SI TIENE PREGUNTAS, LLAME AL  
1-800-345-8746

SIMBOLO	SIGNIFICADO
---------	-------------



**PELIGRO:** El no obedecer una advertencia de seguridad puede conducir a que usted u otras personas sufran graves lesiones. Siga siempre las precauciones de seguridad para reducir el riesgo de incendio, descarga eléctrica y lesiones personales.



**ADVERTENCIA:** El no seguir una advertencia de seguridad puede conducir a que usted u otras personas sufran lesiones. Siga siempre las precauciones de seguridad para reducir el riesgo de incendio, descarga eléctrica y lesiones personales.



**PRECAUCION:** El no seguir una advertencia de seguridad puede conducir a daño patrimonial o a que usted u otras personas sufran lesiones personales. Siga siempre las precauciones de seguridad para reducir el riesgo de incendio, descarga eléctrica y lesiones personales.

## • IMPORTANTE INFORMACION DE SEGURIDAD •

LEA TODAS LAS INSTRUCCIONES  
ANTES DE LA OPERACIÓN



**ADVERTENCIA:** Se debe seguir las siguientes reglas de seguridad cuando use la unidad. Por favor lea estas instrucciones para su propia seguridad y las de los espectadores, antes de hacer funcionar la unidad. Por favor mantenga estas instrucciones en un lugar seguro para uso futuro.

- Lea cuidadosamente y entienda el manual del operador de la unidad que impulsa a este acople.
- Lea este manual de instrucciones de funcionamiento detenidamente. Familiarícese completamente con los controles y el uso apropiado del equipo. Sepa cómo apagar la unidad y desactivar los controles con rapidez.
- No opere esta unidad si está cansado, enfermo, o bajo los efectos del alcohol, drogas o medicamentos.
- Nunca permita que los niños manejen el equipo. Nunca permita que los adultos usen la unidad cuando no estén familiarizados con las instrucciones. Nunca permita que las personas adultas manejen el equipo si no cuentan con las instrucciones apropiadas.
- Se debe instalar adecuadamente todos los protectores y dispositivos de seguridad antes de hacer funcionar la unidad.

ADVERTENCIAS DE SEGURIDAD ESPECIALES PARA  
LAS UNIDADES MOTRICES A GAS



**ADVERTENCIA:** La gasolina es muy inflamable y sus gases pueden explotar si se encienden. Tome las siguientes precauciones:

- Guarde el combustible únicamente en recipientes designados especialmente y aprobados para el almacenamiento de dichos materiales.
- Apague siempre el motor y espere que se enfríe antes de llenar el tanque de combustible. Nunca quite la tapa del tanque de combustible ni abastezca combustible mientras la unidad esté caliente. No opere nunca esta unidad sin la tapa del combustible bien apretada en su lugar. Afloje la tapa del tanque de combustible lentamente para desahogar la presión del tanque.
- Mezcle y abastezca el combustible en un área limpia, bien ventilada en exteriores donde no haya chispas ni llamas. Quite la tapa del combustible lentamente sólo después de parar el motor. No fume mientras abastece ni mientras mezcla el combustible. Seque todo el combustible que se derrame de la unidad de inmediato.
- Evite crear una fuente de encendido con el combustible derramado. No arranque el motor hasta que los gases se hayan disipado.
- Mueva la unidad a por lo menos 30 pies (9.1 m) de distancia de la fuente y punto de abastecimiento de combustible antes de arrancar el motor. No fume, mantenga las chispas y llamas fuera del área mientras carga o el combustible o mientras opera la unidad.

# NORMAS PARA UNA OPERACIÓN SEGURA

- Nunca arranque ni opere la unidad dentro de una sala o edificio cerrado. La respiración de los gases del escape pueden ser letales. Opere esta unidad únicamente en un área exterior bien ventilada.

## PROCEDIMIENTOS PARA LA OPERACIÓN DE CORTADORA DE POSTE

- Mantenga retirados a los espectadores, especialmente a los niños y animales domésticos por lo menos a 15 m (50 ft) de distancia.
- Use lentes o gafas de protección que cumplan con las normas ANSI Z87.1, y protección para sus oídos/audición mientras opere esta unidad. Lleve una careta o una máscara para el polvo cuando la operación pueda levantar polvaredas. Use casco.
- Use pantalones largos y gruesos, botas, guantes y camisa de manga larga. No use ropa holgada, alhajas, pantalones cortos, sandalias ni esté descalzo. Sostenga el cabello sobre el nivel de los hombros.
- Use la unidad sólo con luz diurna o con buena luz artificial.
- Use la herramienta correcta. Use esta herramienta sólo para el trabajo para el que fue diseñada.
- Pare siempre la unidad cuando posponga el trabajo o mientras camine entre diferentes zonas de corte.
- Use sólo piezas y accesorios de repuesto genuinos de fábrica para esta unidad. Puede obtenerlos en su proveedor de servicio autorizado. El uso de piezas o accesorios no autorizados puede causar lesiones graves al usuario o daño a la unidad, y la cancelación de su garantía.

## PROTEJASE CONTRA EL CONTRAGOLPE



**ADVERTENCIA:** El contragolpe puede ocurrir cuando la nariz o la punta de la barra guía toca un objeto, o cuando la madera se cierra y pellizca la sierra de cadena cuando esta cortando. Si la punta de la barra hace contacto, puede causar un a reacción reversiva relámpago, pateando la barra guía hacia arriba y atrás en dirección del operado. Pellizcando la sierra de cadena a lo largo de la barra guía puede empujar la barra rápidamente hacia atrás en dirección el operador. Cualquiera de estas reacciones puede causar que usted pierda el control de la sierra, lo cual puede resultar en serias lesiones personales.

No dependa exclusivamente de los dispositivos de seguridad integrados en su sierra. Como usuario de cortadora de poste, usted debe dar varios pasos para que en sus trabajos de corte no ocurran accidentes ni lesiones.

- Con una comprensión básica del contragolpe, usted puede reducir o eliminar el elemento de sorpresa. la sorpresa repentina contribuye a los accidentes.

- Sostenga la sierra firmemente con ambas manos cuando el motor esté en marcha. Mantenga un buen agarre en la sierra con ambas manos, la mano derecha en la manija posterior, y la mano izquierda en la manija frontal, cuando el motor este en marcha. Utilice un agarre firme con los dedos y el pulgar al rededor de las manijas de la sierra.
- No permita que la nariz de la barra guía tenga contacto con un tronco, rama, el suelo u otra obstrucción.
- Corte a altas velocidades del motor.
- No sobrepase su alcance.
- Utilice solamente barras y cadenas especificadas por su fabricante o el equivalente.

## OTRAS PRECAUCIONES DE SEGURIDAD

- ¡NO opere la cortadora de poste con una mano! Serias lesiones al operador, ayudantes, espectadores, o cualquier combinación de estas personas puede resultar por la operación con una mano. La sierra esta destinada para el uso con dos manos.
- No opere la cortadora de poste cuando esté cansado.
- No se vista con ropa suelta o joyería ya que pueden ser atrapadas por las partes en movimiento. Ligas o calzado contra el resbalo son recomendados cuando trabaje al aire libre. Utilice cubiertas protectoras para cabello para sostener el cabello largo.
- Utilice lentes de precaución, ropa entallada, calzado de precaución, guantes de protección, y equipo de protección para oídos y cabeza.
- Tenga cuidado al manejar el combustible. Mueva la cortadora de poste a por lo menos 3 metros (10 pies) del punto de abastecimiento antes de arrancar el motor.
- Mantenga niños y espectadores alejados. No permita que los visitantes tengan contacto con la sierra o la extensión de poder. Todos los visitantes deberán ser mantenidos fuera del área de trabajo.
- Areas de trabajo sucias inducen lesiones. No empiece a cortar hasta que no tenga un área de trabajo limpia, se encuentre seguramente parado y haya planeado el sendero de retirada del árbol que caerá.
- Este alerta. Fijese lo que este haciendo. Utilice el sentido común. No opere la sierra cuando se encuentre fatigado. Mantenga todas las partes de su cuerpo alejadas de la cortadora de poste cuando el motor se encuentra en operación. Antes de arrancar la sierra, asegurese de que la cadena de la sierra no esté haciendo contacto con nada
- Desconecte la cortadora de poste cuando no se encuentre en uso, antes de cada servicio, y cuando cambie accesorios y aditamentos tales como la cadena de la sierra y el resguardo.



# NORMAS PARA UNA OPERACIÓN SEGURA

- Antes de cualquier uso de la cortadora de poste, el resguardo u otra parte que se encuentre dañada deberá ser cuidadosamente revisado para determinar si operará propiamente y realizará la función para la cual fue diseñada. Revise el alineamiento de las partes móviles, y cualquier otra condición que pueda afectar la operación correcta de la unidad. Un resguardo o cualquier otra parte dañada deberá ser propiamente reparada o reemplazada por un centro de servicio autorizado, a menos de que el manual indique otra cosa.
- Considere el medio ambiente del área de trabajo. Utilice extrema precaución cuando corte arbustos pequeños, árboles jóvenes, dado a que material delgado puede ser atrapado por la sierra y azotado en dirección de usted, o sacarlo de balance. No opere la sierra en un árbol a menos de que usted se encuentre específicamente entrenado para hacerlo. Cuando corte ramas que contengan tensión, esté alerta del resorte para que usted no sea golpeado cuando la tensión de la fibra de la madera sea liberada. No exponga la cortadora de poste en presencia de líquidos o gases inflamables.
- Todo el servicio de la cortadora de poste, otro que los artículos listados en las instrucciones de seguridad y mantenimiento en el manual del usuario, deberán ser ejecutadas por un personal de servicio de sierras de cadena competente. No intente repararla usted mismo; no se encuentran piezas de servicio para el usuario adentro de la sierra.
- Cuando no se encuentre en uso, la cortadora de poste deberá ser almacenada fuera del alcance de los niños, en un lugar seco, elevado, y asegurado.
- No force la cortadora de poste. La cortadora de poste realizará un trabajo mejor y más seguro cuando se utilice a el promedio para el cual fue diseñada.
- Utilice la herramienta adecuada. Corte solamente madera. No utilice la cortadora de poste para propósitos para los cuales no fue diseñada. Por ejemplo, no utilice la cortadora de poste para cortar plásticos, mampostería, o materiales que no sean para la construcción.
- Utilice mecanismos tales como cadenas de contragolpe bajo, protectores para la nariz de la barra guía, chain brakes y barras guías especiales, los cuales reducen los peligros relacionados con el contragolpe.
- No existen otros componentes de repuesto para lograr protección del contragolpe de acuerdo con CSA Z62.3.
- NO opere la cortadora de poste cuando esté dañada, impropriadamente ajustada, o no segura y completamente ensamblada. Asegúrese de que la cadena de la sierra deje de moverse cuando el gatillo de estrangulación sea liberado.
- NO intente hacer operaciones más allá de su capacidad o experiencia.
- Esta sierra de cadena con motor fue clasificada por la CSA como una sierra de clase 2C. Y fue destinada para el uso infrecuente por dueños caseros, excursionistas, jornaleros. Para aplicaciones generales tales como el limpiado, podado, cortado de leña para chimenea, etc. No fue diseñada para un uso prolongado. Si el uso destinado envuelve el uso prolongado de los periodos de operación, esto puede causar problemas circulatorios en las manos del usuario debido a la vibración. Puede ser apropiado el utilizar la sierra teniendo un mecanismo de anti-vibrado.
- NUNCA REMUEVA, modifique o haga inoperativo cualquiera de los mecanismos de seguridad construidos en su unidad.
- Ropas de seguridad son requeridas por sus organizaciones de seguridad, regulaciones gubernamentales, o su empleador deberán ser utilizadas; de otra manera, ropa entallada, calzado de seguridad y protección para manos y oídos deberá ser utilizada.
- Una cadena para sierra de contragolpe bajo es una cadena que ha cumplido con los requerimientos de rendimiento del contragolpe de la ANSI B175.1-1991 y está de acuerdo con CSA Z62.3. No utilice una cadena de repuesto diferente a menos que llene estos requisitos para su modelo particular.
- No use ningún otro aditamento o accesorio de corte. Use sólo repuestos y accesorios fabricante del equipo original, los cuales están diseñados especialmente para mejorar el desempeño y maximizar la operación segura de nuestros productos. No hacerlo así, puede producir un pobre desempeño y posiblemente alguna lesión. Use sólo la cadena y la barra que se suministran con este producto. No use ningún otro aditamento de corte. El uso de tales aditamentos anulará su garantía de fábrica y puede producir alguna lesión seria a su cuerpo.
- Nunca toque la cadena ni trate de dar servicio a la sierra con el motor encendido. Cerciórese de que todas las partes móviles se hayan detenido. Deje enfriar la sierra, ya que la cadena pudiera estar caliente.
- Inspeccione la barra y la cadena a intervalos frecuentes para el ajuste debido. Cerciórese de que la barra y la cadena estén debidamente apretadas y afiladas. Verifique visualmente que no estén averiadas. Repare cualquier avería antes de arrancar o de operar de nuevo la cortadora de poste.
- No corte cables eléctricos ni el tendido eléctrico.
- No use la sierra de postes para tumbar un árbol. Use una sierra de cadena estándar para esta tarea.

## MANTENIMIENTO Y ALMACENAJE

- Espere que el motor se enfríe antes de guardar o transportar la unidad. Asegúrese de que la unidad esté segura al transportarla.
- Guarde la unidad bajo llave en un lugar adecuado y seco para evitar el uso por personas no autorizadas y daños, lejos del alcance de los niños.
- Nunca moje ni rocíe la unidad con agua ni con ningún otro líquido. Mantenga las manijas secas, limpias y sin residuos. Limpie la unidad luego de cada uso, lea las instrucciones de Limpieza y Almacenamiento.
- Guarde estas instrucciones. Consúltelas con frecuencia y utilícelas para enseñar a otros usuarios. Si le presta esta unidad a alguien, préstele también estas instrucciones.
- Cualquier reparación o procedimientos de mantenimiento que no estén descritos en este manual deben ser hechos únicamente por personal calificado.

**GUARDE ESTAS INSTRUCCIONES**

# NORMAS PARA UNA OPERACIÓN SEGURA

## SIMBOLOS DE SEGURIDAD E INTERNACIONALES

Este manual del operador describe los símbolos y figuras de seguridad e internacionales que pueden aparecer en este producto. Lea el manual del operador para obtener información completa acerca de la seguridad, ensamble, operación y mantenimiento y reparación.

### SIMBOLO

### SIGNIFICADO



- **SIMBOLO DE ALERTA DE SEGURIDAD**

Indica peligro, advertencia o precaución. Puede ser utilizado junto con otros símbolos o figuras.



- **ADVERTENCIA - LEA EL MANUAL DEL OPERADOR**

Lea el manual del operador y siga todas las advertencias e instrucciones de seguridad. De no hacerlo, el operador y/o los espectadores pueden sufrir graves lesiones.



- **USE PROTECCION OCULAR, AUDITIVA Y EN SU CABEZA**

**ADVERTENCIA** : Los objetos arrojados por la unidad y el ruido fuerte pueden causar graves lesiones oculares y pérdida auditiva. Utilice protección ocular que cumpla con las normas ANSI Z87.1 y protección auditiva cuando opere esta unidad. Los objetos que caen pueden causar graves lesiones en su cabeza. Use protección en su cabeza mientras opere esta unidad. Use una careta completa cuando la necesite.



- **MANTENGA ALEJADOS A LOS ESPECTADORES**

**ADVERTENCIA**: Mantenga a todos los espectadores, en especial a niños y animales domésticos a por lo menos 15 m (50 pies) del área de corte.

### SIMBOLO

### SIGNIFICADO



- **LOS OBJETOS DESPEDIDOS Y LA CUCHILLA ROTATIVA PUEDEN CAUSAR GRAVES LESIONES**

**ADVERTENCIA**: No opere esta unidad si la protección plástica de línea no está colocada en su lugar. Manténgase alejado del accesorio de corte giratorio.



- **AVISO SOBRE LA BARRA DE GUÍA**

Debe evitarse el contacto de la punta de la barra de guía con cualquier objeto. El contacto con la punta pudiera hacer que la barra de guía se mueva repentinamente hacia arriba y hacia atrás, lo cual pudiera provocar lesiones graves.



- **USE AMBAS MANOS**

Use siempre ambas manos al operar la sierra de cadena. Nunca opere la sierra con una sola mano.

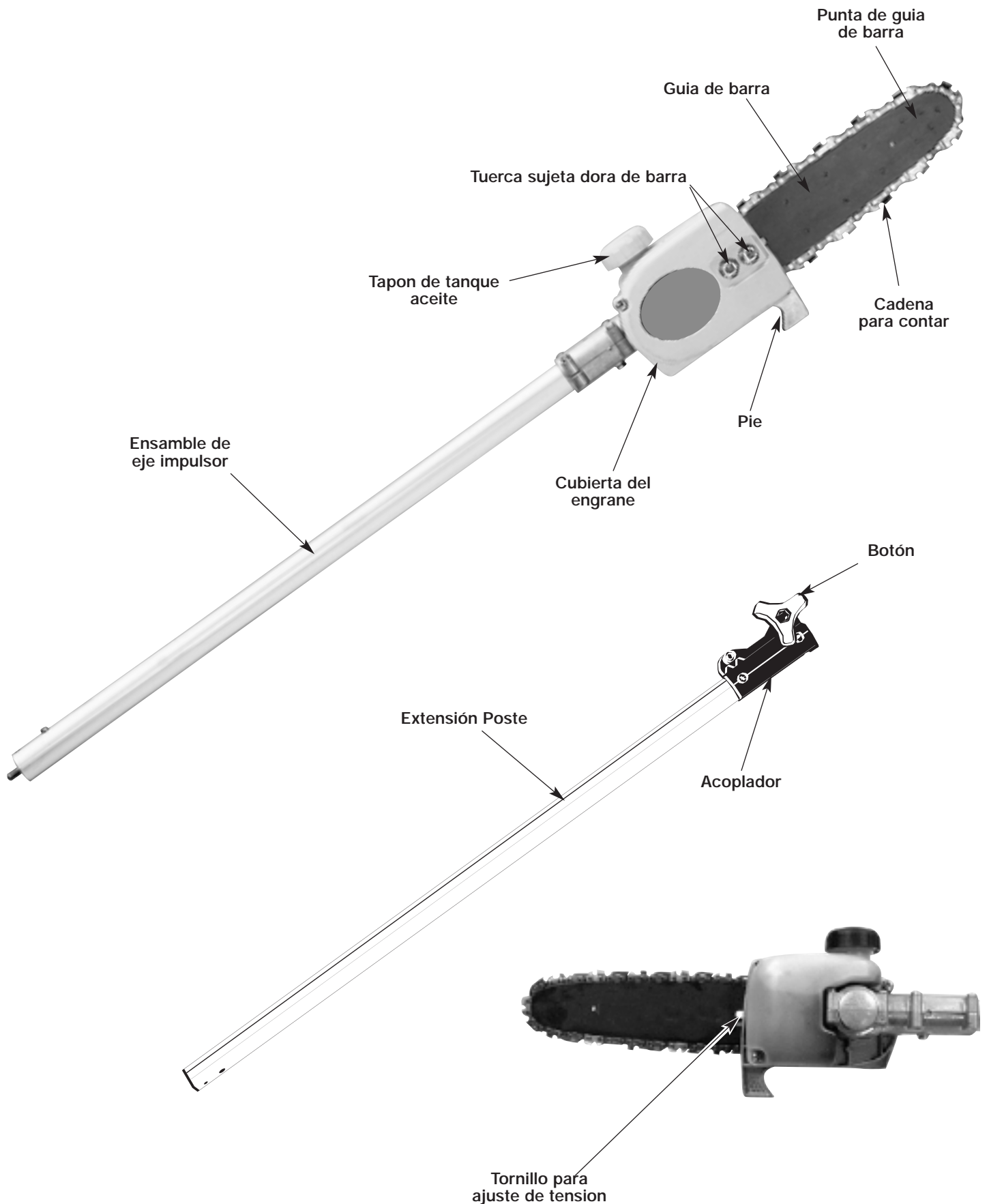


- **ADVERTENCIA DE SUPERFICIE CALIENTE**

No toque un silenciador ni un cilindro caliente. Puede quemarse. Estas partes se calientan mucho con el uso. Luego de apagarse permanecen calientes durante un corto tiempo.

# NORMAS PARA UNA OPERACIÓN SEGURA

## CONOZCA SU UNIDAD



# INSTRUCCIONES DE OPERACIÓN

## ENSAMBLAJE DEL ACOPLADOR

Los siguientes accesorios TrimmerPlus también están disponibles para su unidad:

Cultivador .....	GC720r
Edger .....	LE720r
Recortador de setos .....	HS720r
Recortador de eje recto .....	SS725r
Turbosoplador .....	TB720r
Sierra de poste .....	TBPS

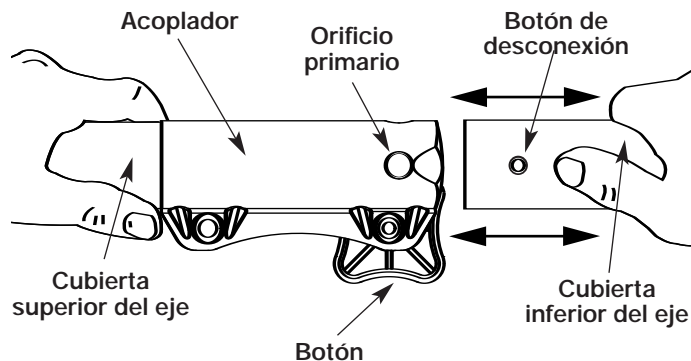


Fig. 2

4. Apriete el botón girándolo hacia la derecha (Fig. 3).



**NOTA:** Para facilitar la instalación o remoción de los accesorios, ponga la unidad sobre el suelo o sobre un banco de trabajo.

**NOTA:** El poste de extensión de esta unidad es para dotar de más alcance al usuario. Siga las instrucciones para retirar o instalar apéndices si desea retirar o instalar el poste de extensión.

### Remoción del accesorio:

1. Para aflojarlo, gire el botón en el sentido opuesto al de las manecillas del reloj (Fig. 1).
2. Oprima y sostenga oprimido el botón de liberación (Fig. 1).
3. Mientras sostiene con firmeza el bastidor del eje superior, tire del accesorio de jardín hacia afuera del acoplador (Fig. 2).

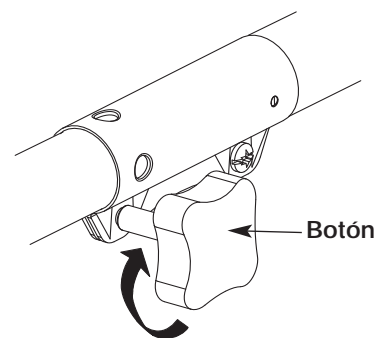


Fig. 3

### Instalación del accesorio:



1. Quite el colgador de encima de la cubierta del eje.
2. Apriete el botón girándolo hacia la derecha (Fig. 1).
3. Mientras sostiene el accesorio con firmeza, empújelo en línea recta en el acoplador (Fig. 2).

**NOTA:** La alineación del botón de desconexión con la guía ayuda en la instalación (Fig. 1).

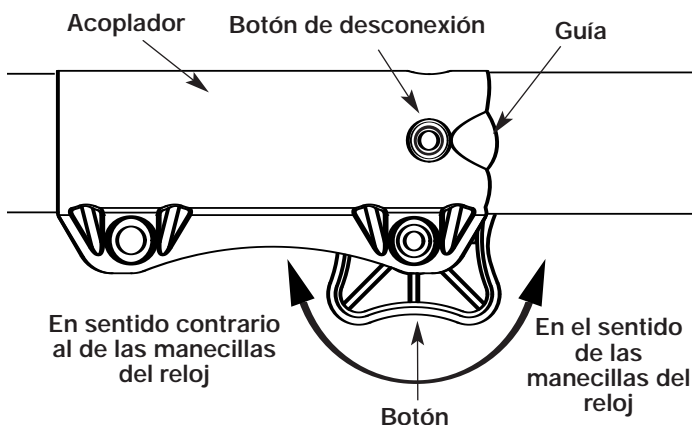
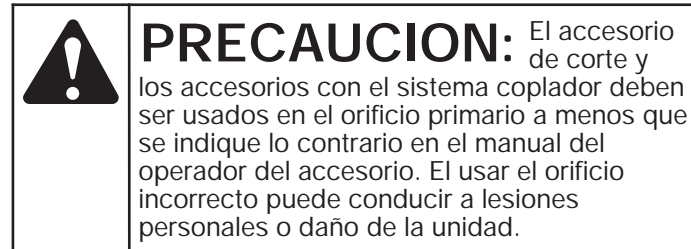


Fig. 1



El accesorio deberá instalarse con el botón de desconexión en el **orificio primario**.

### Inspeccione el acoplamiento del eje acodado antes de usar la unidad

1. Arranque la unidad.
2. Enganche y suelte el gatillo brevemente.
3. Verifique que el accesorio esté funcionando.
4. Si el accesorio no está funcionando, retire el accesorio y repita los pasos para su instalación.
5. Vuelva a verificar el funcionamiento del accesorio.

# INSTRUCCIONES DE OPERACIÓN

## PRECAUCIONES DE CORTE



**ADVERTENCIA:** Vista en forma adecuada para reducir el riesgo de lesiones cuando opere esta unidad. No use ropa holgada ni alhajas. Use protección ocular y auditiva. Use pantalones largos y gruesos, botas y guantes. No use pantalones cortos, sandalias ni trabaje descalzo.

1. Mantenga a espectadores 15 metros (50 pies) lejos cuando este operando la herramienta.
2. No use la motosierra telescópica para derrumbar arboles. Use para esto la motosierra sin el aditamento telescópico.
3. Sujete el tubo de la motosierra firmemente-una mano en el tubo, otra en el maneral.
4. Mantenga su dedo lejos del gatillo interruptor hasta estar listo para hacer el corte.
5. Antes de encender su motosierra telescópica, asegúrese que la cadena de corte no esta tocando nada.
6. Mantenga todas las partes del cuerpo alejadas de la cadena de corte cuando su motosierra este en funcionamiento.
7. No fuerce la sierra de poste al cortar. Presione ligeramente. Hará un mejor y más seguro trabajo a la velocidad para la que la sierra está indicada.
8. Cuando este cortando ramas que se encuentren bajo tension, use extrema precaucion. Este alerta a el resorteo de las ramas. Cuando la rama se libere, esta pudiera regresarse intempestivamente y golpear al operador causandole severas lesiones o hasta la muerte.
9. Cuando transporte la motosierra telescópica de un lugar a otro:
  - regrese el tubo telescópico a la posición mas corta
  - mantenga el tubo en posición balanceada cerca de la unidad de poder
  - mantenga la barra guía y la cadena hacia atras
10. No corte maleza o arbustos con la motosierra telescópica. Use la motosierra unicamente con extrema precaucion. Las ramas delgadas de la maleza o arbustos pudieran enredarse en la unidad de corte y pudieran regresarse intempestivamente hacia usted causandole lesiones o la posibilidad de que pierda el balance.
11. Nunca se pare directamente por debajo de la rama que esta podando. Siempre posicione fuera de la trayectoria de caída de dichas ramas (Fig. 4).
12. Nunca se pare en una escalera o otro tipo de soporte inestable cuando utilice la motosierra telescópica.
13. Siempre use ambas manos al operar su motosierra telescópica. Mantenga una presión firme y constante en la motosierra telescópica mientras este cortando pero no trate de forzar la sierra a traves de la madera.
14. No use la sierra de poste para cortar ramas de mas de 10 cm (4 pulg.) de diámetro.
15. Mantenga a las otras personas alejadas de la zona de corte y de la motosierra telescópica (Fig. 5).
16. No utilice su motosierra telescópica cerca de cables, cables electricos, o líneas telefonicas. Mantenga una mínima distancia de 3 metros (10 pies) de cualquier cable electrico (Fig. 6).



Fig. 4



Fig. 5

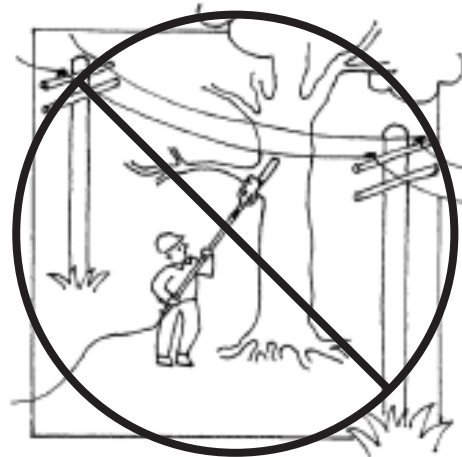


Fig. 6

# INSTRUCCIONES DE OPERACIÓN

## SUGERENCIAS DE OPERACIÓN



**ADVERTENCIA:** Evite la tensión de retroceso. Puede ocasionar lesiones graves o la muerte. Lea "Tensión de retroceso" en la página 9 para reducir el riesgo.



**ADVERTENCIA:** No maneje la sierra de poste cuando se halle en un árbol, una escalera u otra superficie de trabajo inestable ni en ninguna otra posición delicada. Podría perder el control de la sierra de poste y sufrir lesiones graves.



**ADVERTENCIA:** No levante los brazos por encima de la espalda cuando utilice la sierra de poste.



**ADVERTENCIA:** Solicite la ayuda de un profesional cuando se halle en situaciones más allá de sus habilidades.

Evite el efecto de reculado. Este efecto de reculado pudiera causar graves lesiones o la muerte.

No opere la unidad mientras este sobre un árbol, en una escalera o cualquier otra superficie inestable, o en una posición incomoda. Pudiera perder el control de la unidad causando graves lesiones.

No extienda sus brazos mas allá de sus hombros cuando use la unidad.

Solicite ayuda profesional si ve que el trabajo que necesita hacer esta fuera de sus posibilidades.

Podar un árbol es el proceso de cortar las ramas de un árbol vivo. Asegurese que esta bien parado. Mantenga sus pies separados, Divida su peso en los dos pies.

1. Al manejar la sierra de poste, descanse el pie (A) de la sierra contra la rama que está cortando. (Fig. 7)
2. Haga el primer corte a treinta (30) centímetros de donde hará el corte final (Fig. 8)
3. Corte el exterior del cuello de la rama para evitar dañar el árbol. (Fig. 9)

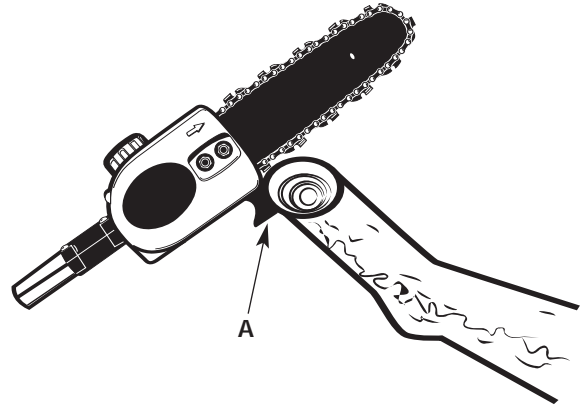


Fig. 7

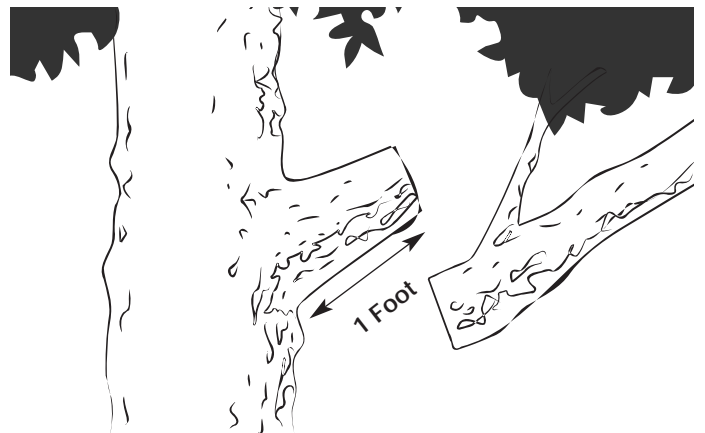


Fig. 8

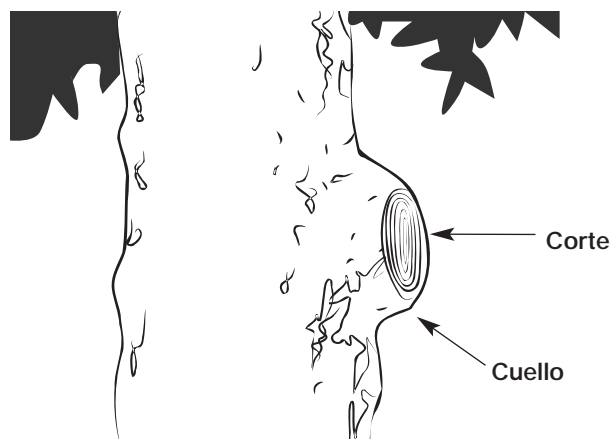


Fig. 9

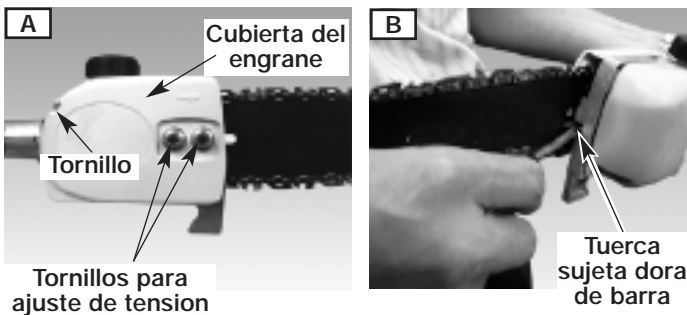
# INSTRUCCIONES DE MANTENIMIENTO Y REPARACIÓN

## CADENA INSTALACION DE REMPLAZO



**ADVERTENCIA:** Utilice guantes de trabajo pesado para protegerse contra los eslabones de cortado filosos cuando maneje la sierra de cadena.

1. Quite las tuercas y el tornillo que fijan la barra. Después quite la cubierta del piñón (Fig. 10a).
2. Valiéndose de un destornillador de ranura recta, gire el tornillo de ajuste de tensión en sentido antihorario (Fig. 10b) tan lejos como llegue o hasta el final de su recorrido, después saque la cadena y retire la barra.



3. Prepare la nueva cadena o barra.
4. Enlace la cadena de la sierra sobre el piñón de mando con los bordes cortantes de la cadena apuntando en la dirección de rotación (Fig. 11).
5. Ajuste el tornillo de ajuste de tensión (Fig. 8b) para permitir la inserción de la barra (Fig. 12). Cerciérese de que la cadena sigue la ranura en la barra de guía y ajuste el tornillo de ajuste de tensión para apretar la cadena.
6. Instale la cubierta del piñón y apriete las tuercas y el tornillo para fijar la barra (Fig. 10a).

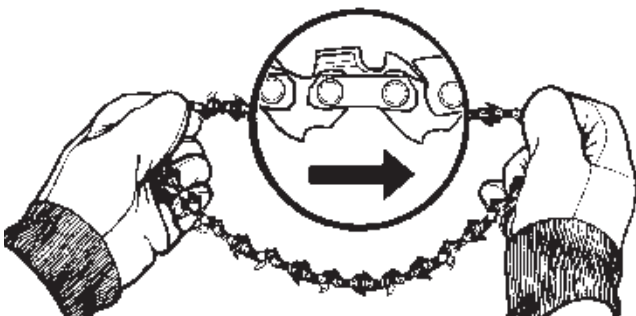


Fig. 11

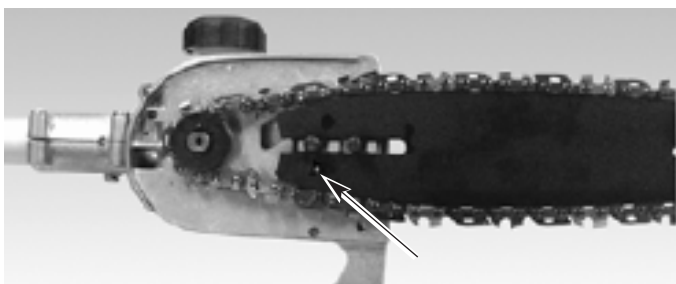


Fig. 12

## AJUSE DE LA TENSION DE LA CADENA DE LA SIERRA

Una tensión propia de la cadena de la sierra es extremadamente importante y debe de ser revisada antes de arrancar la sierra, al igual que durante cualquier operación de cortado. El tomar tiempo para hacer los ajustes necesarios para la sierra de cadena resultara en un mejor rendimiento y una vida prolongada para su sierra de cadena.

**NOTA:** Una cadena y barra nueva requerirán un reajuste después de por lo menos 5 cortes. Esto es normal dentro del periodo de acondicionamiento, y el intervalo dentro de los próximos ajustes se alargará pronto (Fig. 13).



**PRECAUCION:** Si la cadena se encuentra muy SUELTA o muy APRETADA, la barra, cadena y los rodamientos del cigueñal se desgastaran más rápidamente. Estudie la Figura 13 para información respecto a la tensión fría correcta (A), tensión caliente correcta (B), y como una guía para cuando la cadena de la sierra requiera algún ajuste (C).

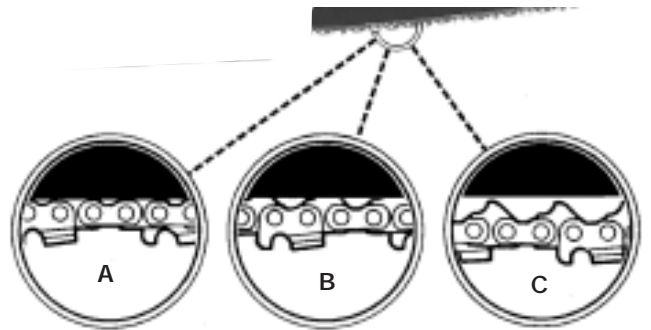


Fig. 13

Para ajustar tensión de la cadena de corte:

1. Afloje las tuercas retenedoras de la barra de tal forma que estén apretadas a mano (Fig. 10a).
2. Manteniendo la nariz de la barra hacia arriba, utilice el desarmador para girar el tornillo de ajuste de la barra guía a favor de las manecillas del reloj para apretar la cadena (Fig. 10b). Girando el tornillo en contra de las manecillas del reloj afloja la cadena de la barra guía.
3. Después del ajuste y usando guantes gruesos, mueva la cadena de corte hacia atrás y hacia adelante para asegurarse que la cadena se mueve libremente y esta colocada correctamente en el engrane. No mueva cadena con manos descubiertas.

**NOTA:** Si la cadena muestra dificultad de movimiento, significa que demasiada tensión se le ha dado a la cadena y debiera de ser reajustada. Para reducir tensión, gire el tornillo de ajuste contra las manecillas del reloj lentamente. Mueva la cadena hacia atrás y hacia adelante hasta que se mueva libremente.

4. Manteniendo la nariz en posición hacia arriba, apriete bien a tuerca de la barra.

# INSTRUCCIONES DE MANTENIMIENTO Y REPARACIÓN

## LUBRICACIÓN DE LA CADENA

La cadena de la sierra de poste se lubrica automáticamente. El aceite se riega por la cadena a medida que se usa la unidad. Mantenga una cantidad adecuada de aceite en el tanque de aceite. Use el aceite de cadena-barra que se proporciona en el paquete de ferretería. Use siempre el aceite de cadena-barra y piñón o un aceite similar de sierra de cadena.

## MANTENIMIENTO DE LA BARRA GUIA



**NOTA:** Un propio mantenimiento de la barra guía, como se explica en esta sección, es esencial para mantener su sierra en buenas condiciones de servicio.

La mayoría de los problemas de la barra guía puede ser prevenidos simplemente conservando la sierra de cadena bien mantenida.

Un llenado incorrecto y unos eslabones de cortado y ajuste en la medida de profundidad no uniformes son la causa de la mayoría de los problemas de la barra guía, resultando primeramente en un desgaste desproporcionado de la barra. Al tiempo que le barra se desgasta desproporcionalmente, los rieles se agrandan, lo cual puede causar estruendo en la cadena y dificultad al hacer cortes derechos.

Una insuficiente lubricación de la barra guía y operación de la sierra con la cadena **demasiado apretada** contribuirá a un desgaste rápido de la barra. Vea la sección *Ajuste de la Tension de la Cadena de la Sierra*.

Para ayudar a minimizar el desgaste de la barra, los siguientes procedimientos de mantenimiento para la barra guía son recomendados.

### Desgaste de la Barra

De vuelta a la barra guía frecuentemente a intervalos regulares (por ejemplo, después de cada 5 horas de uso), para asegurarse de un desgaste parejo en la parte superior e inferior de la barra.

## Ranuras de la Barra

Las ranuras de la barra (o rieles que soportan y conducen la cadena) deberán ser limpiados si la sierra ha sido utilizado para servicio pesado o si la sierra manifiesta suciedad. Los rieles deben de ser limpiados cada vez que la cadena de la sierra es removida.

Para limpiar los rieles de la barra:

1. Remueva la cubierta del piñón, la barra y cadena. Vea la Sección *Ajuste de la Tension de la Cadena de la Sierra*. Utilizando un desarmador, navaja, cepillo de alambre o cualquier otro instrumento similar, limpie residuos de los rieles de la barra guía. Esto mantendrá los pasajes abiertos para proveer una lubricación adecuada a la barra y cadena (Fig. 14).
3. Reinstale la barra, cadena y las tuercas retenedoras de la barra. Vea la sección *Ajuste de la Tension de la Cadena de la Sierra*.



Fig. 14

## Pasajes de Aceite

Los conductos de aceite de la barra deben limpiarse para asegurar una correcta lubricación de la barra y la cadena durante el manejo. Esto puede hacerse usando un alambre blando lo suficientemente pequeño como para ser insertado en el hueco de vertido de aceite.



# INSTRUCCIONES DE MANTENIMIENTO Y REPARACIÓN

## MANTENIMIENTO DE LA CADENA



**ADVERTENCIA:** A menos de que usted tenga experiencia y entrenamiento especializado para tratar con el contragolpe (vea las Precauciones de Seguridad), siempre utilice una cadena para sierra de contragolpe bajo, la cual reduce significativamente el peligro de un contragolpe. Una cadena de contragolpe bajo o "cadena de precaución" nunca deberá ser referida como protección total contra una lesión.

Siempre utilice cadenas para sierras de reemplazo designadas como "contragolpe bajo" o una cadena para sierra que reúna los requisitos de rendimiento del contragolpe de la ANSI (Instituto Nacional Americano de Normas).

Una cadena para sierra convencional (una cadena que no tiene los eslabones de resguardo para reducir el contragolpe) solamente deberá ser utilizado por un operador de sierras de cadena profesional experimentado.

### Cadena de Contragolpe Bajo

Una cadena de contragolpe bajo es una cadena la cual ha cumplido los requerimientos de rendimiento del contragolpe de la ANSI B175.1. No utilice una cadena de repuesto diferente a menos que llene estos requisitos para su modelo particular.

Mediante el mantenimiento de la cadena de la sierra en buenas condiciones de trabajo y dándole servicio correctamente como se recomienda en este manual, usted podrá mantener el sistema de precaución de su sierra mas allá de la vida del producto.



**ADVERTENCIA:** Nunca retire, modifique ni anule ningún dispositivo de seguridad de los que su unidad incorpora. La cadena de baja arremetida es una importante característica de seguridad proporcionada para su protección.



**ADVERTENCIA:** Cerciórese de que la unidad esté apagada y que la bujía esté desconectada (de gasolina) antes de realizar mantenimiento alguno de su sierra. Use también guantes de trabajo.

### Tension de la Sierra

Revise la tensión frecuentemente y ajústela tan pronto como se necesite para mantener la cadena ajustada a la barra, pero lo suficientemente suelta para ser jalada con la mano. Vea la sección *Ajuste de la Tension de la Cadena de la Sierra*

### Acondicionamiento en una Cadena para Sierra Nueva

Una barra y cadena nueva requerirán un reajuste después de tan pocos como 5 cortes. Esto es normal dentro del periodo de acondicionamiento, y los intervalos dentro de los próximos ajustes se alargarán rápidamente. Sobre un periodo de tiempo, de cualquier manera, las partes móviles de la sierra se gastarán, dando como resultado lo que es llamado alargamiento de la cadena. Esto es normal. Cuando no es posible obtener el ajuste de tensión correcto, un eslabón tendrá que ser removida para acortar la cadena. Vea a su Centro de Servicio Autorizado TrimmerPlus, para realizar esta reparación.



**ADVERTENCIA:** Nunca tenga mas de 3 eslabones removidos del haro de la sierra. Esto puede causar daño al piñón.

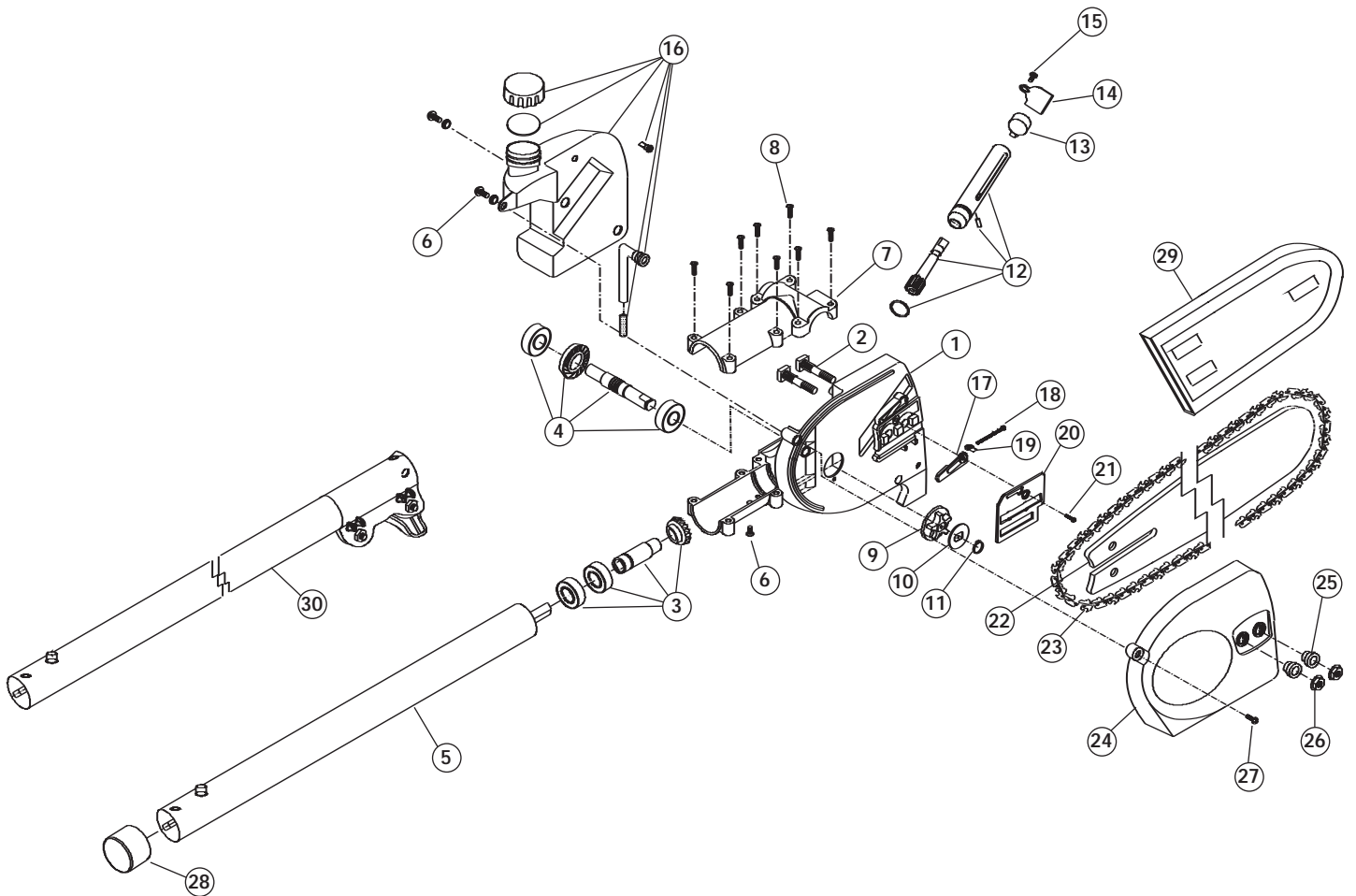
## ESPECIFICACIONES

Peso de la unidad (Sólo el accesorio) .....	1,5 kg (3,3 lbs.)
Longitud del Eje Conductor .....	66 cm (26 pulg)
Anchura de Corte .....	200 mm (8 pulg)

# NOTAS

# PARTS LIST

## REPLACEMENT PARTS - MODEL PS720r POLE SAW ADD-ON



Item	Part No.	Description
1	753-04621	Gearbox
2	753-04622	Screw
3	753-04623	Shaft Assembly
4	753-04624	Spindle Assembly
5	753-04625	Connection Stick Assembly
6	753-04626	Screw
7	753-04627	Case Cover
8	753-04628	Screw
9	753-04629	Sprocket
10	753-04630	Washer
11	753-04631	C Ring
12	753-04632	Oil Pump Assembly
13	753-04633	Rubber Cork
14	753-04634	Fixed Plate
15	753-04635	Screw

Item	Part No.	Description
16	753-04636	Oiler Assembly
17	753-04637	Anti-Spillage Pad
18	753-04638	Regulation Screw
19	753-04639	Regulation Cap
20	753-04640	Adjustable Plate
21	753-04641	Screw
22	753-04642	Bar 8"
23	753-04643	Saw Chain
24	753-04644	Guard
25	753-04644	Fixed Ring
26	753-04645	Nut
27	753-04646	Screw
28	753-04647	Covering
29	753-04649	Guard
30	753-04648	Inner Pipe Assembly

## GARANTÍA LIMITADA DEL FABRICANTE PARA:

# TrimmerPlus®

TrimmerPlus concede la garantía limitada establecida debajo para mercancías nuevas que sean compradas y usadas en los Estados Unidos, sus posesiones y territorios.

TrimmerPlus garantiza este producto contra defectos en el material y la mano de obra durante un período de dos (2) años, a partir de la fecha de compra original y a su entera discreción, arreglará o substituirá sin costo alguno cualquier pieza cuyo material o mano de obra se considere defectuoso. Esta garantía limitada se deberá aplicar únicamente si este producto ha sido manejado y mantenido de acuerdo al Manual del Operario incluido con el producto y, si no ha sido sometido a mal uso, abuso, uso comercial, negligencia, accidente, mantenimiento inapropiado, alteración, vandalismo, hurto, fuego, agua o daños debidos a otros riesgos o desastre natural. Los daños ocasionados por la instalación o el uso de cualquier accesorio o aditamento que no esté aprobado por TrimmerPlus y que sea usado con el (los) producto(s) contemplados en este manual, anularán la garantía con respecto a cualquier daño resultante. Esta garantía está limitada a noventa (90) días a partir de la fecha de compra original al detalle de cualquier producto TrimmerPlus que se use para alquiler, para propósitos comerciales o cualquier otro propósito que genere ingresos.

**CÓMO OBTENER SERVICIO:** El servicio de garantía está disponible A TRAVÉS DE SU DISTRIBUIDOR DE SERVICIO LOCAL AUTORIZADO, AL PRESENTAR EL COMPROBANTE DE COMPRA. Para localizar al distribuidor en su área, visite nuestro sitio en Internet en [www.TrimmerPlus.com](http://www.TrimmerPlus.com), busque el aviso clasificado en las Páginas Amarillas, llame al **1-800-345-8746** o escriba a TrimmerPlus, PO Box 361131, Cleveland, OH 44136-0019.

### **Esta garantía limitada no ofrece cobertura en los siguientes casos:**

- A. Sincronizaciones - bujías, ajustes de carburadores, filtros.
- B. Artículos de desgaste, perillas percusivas, carretes externos, línea de corte, carretes internos, polea de arranque, cuerdas de arranque, correas motoras.
- C. TrimmerPlus no le ofrece ninguna garantía a los productos que sean vendidos o exportados fuera de los Estados Unidos de América, sus posesiones y territorios, excepto aquellos que se vendan a través de los canales de distribución para exportación autorizados por TrimmerPlus.

TrimmerPlus se reserva el derecho a cambiar o mejorar el diseño de cualquier producto TrimmerPlus, sin adoptar ninguna obligación para modificar cualquier producto fab-

ricado con anterioridad.

**Ninguna garantía implícita es aplicable después del período de aplicabilidad de la garantía expresa escrita con anterioridad, incluyendo cualquier garantía implícita de comerciabilidad o idoneidad para un propósito particular con respecto a las piezas identificadas. Exceptuando lo mencionado anteriormente, ninguna otra garantía expresa bien sea escrita o verbal con respecto a cualquier producto que sea concedida por cualquier persona o entidad, incluyendo al distribuidor o minorista, deberá comprometer a TrimmerPlus durante el período de la Garantía, el remedio exclusivo es el arreglo o la sustitución del producto según lo establecido anteriormente. (Algunos estados no permiten limitaciones en cuanto al período de duración de una garantía implícita, de manera que puede que la limitación anterior no sea aplicable en su caso.)**

**Las estipulaciones establecidas en esta Garantía ofrecen la solución única y exclusiva que resulte de las ventas. TrimmerPlus no deberá ser responsable de pérdidas o daños incidentales o consecuentes que incluyan, sin limitación, gastos incurridos debido a la sustitución de servicios de mantenimiento de prados, transporte o gastos relacionados, o gastos de alquiler para reemplazar temporalmente un producto bajo garantía. (Algunos estados no permiten limitaciones en cuanto al período de duración de una garantía implícita, de manera que puede que la limitación anterior no sea aplicable en su caso.)**

Ningún tipo de recuperación deberá ser superior al precio de compra del producto vendido, en ningún caso. La alteración de las características de seguridad del producto deberá anular esta Garantía. Usted adopta el riesgo y la obligación de la pérdida, daño o lesión en su persona o a su propiedad y/o la de otras personas y sus propiedades, que se origine a raíz del uso o mal uso, o la incompetencia para usar el producto.

Esta garantía limitada no deberá cubrir a ninguna otra persona distinta al comprador original, arrendatario original, o la persona para la cual se compró en calidad de regalo.

Relación de las leyes estatales con esta Garantía: Esta garantía le confiere derechos legales específicos, y puede que usted también tenga otros derechos, los cuales varían en cada estado.

Para localizar al distribuidor de servicio local más cercano, marque el número **1-800-345-8746**.

**MTD Southwest Inc**

PO Box 361131

Cleveland, OH 44136-0019

## Free Manuals Download Website

<http://myh66.com>

<http://usermanuals.us>

<http://www.somanuals.com>

<http://www.4manuals.cc>

<http://www.manual-lib.com>

<http://www.404manual.com>

<http://www.luxmanual.com>

<http://aubethermostatmanual.com>

Golf course search by state

<http://golfingnear.com>

Email search by domain

<http://emailbydomain.com>

Auto manuals search

<http://auto.somanuals.com>

TV manuals search

<http://tv.somanuals.com>