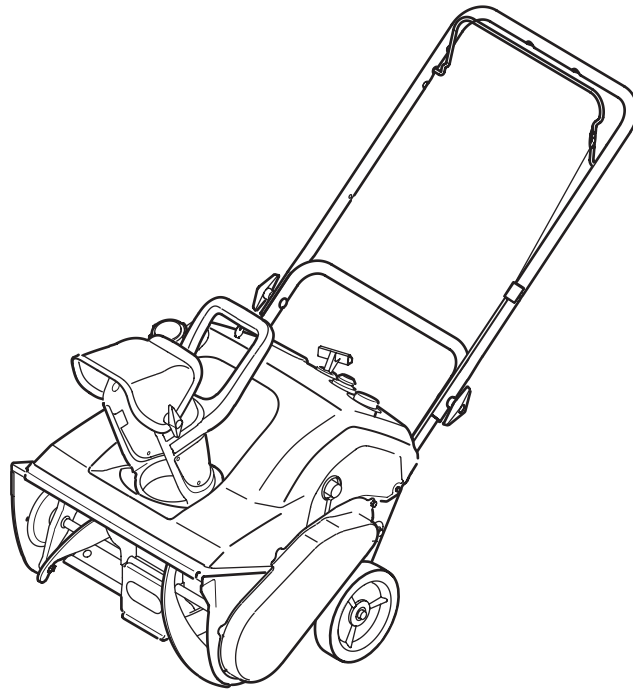


# OPERATOR'S MANUAL



## Single-Stage Snowthrower — Two-Stroke

### **⚠ WARNING**

**READ AND FOLLOW ALL SAFETY RULES AND INSTRUCTIONS IN THIS MANUAL  
BEFORE ATTEMPTING TO OPERATE THIS MACHINE.  
FAILURE TO COMPLY WITH THESE INSTRUCTIONS MAY RESULT IN PERSONAL INJURY.**

---

MTD LLC, P.O. BOX 361131 CLEVELAND, OHIO 44136-0019

---

## Thank You

Thank you for purchasing a Snow Thrower manufactured by MTD LLC. It was carefully engineered to provide excellent performance when properly operated and maintained.

Please read this entire manual prior to operating the equipment. It instructs you how to safely and easily set up, operate and maintain your machine. Please be sure that you, and any other persons who will operate the machine, carefully follow the recommended safety practices at all times. Failure to do so could result in personal injury or property damage.

All information in this manual is relative to the most recent product information available at the time of printing. Review this manual frequently to familiarize yourself with the unit, its features and operation. Please be aware that this Operator's Manual may cover a range of product specifications for various models. Characteristics and features discussed and/or illustrated in this manual may not be applicable to all models. MTD LLC reserves the right to change product specifications, designs and equipment without notice and without incurring obligation.

This product has met the rigid safety standards of the Outdoor Power Equipment Institute and an independent testing laboratory. If you have any problems or questions concerning the unit, phone your local authorized MTD service dealer or contact us directly. MTD's Customer Support telephone numbers, website address and mailing address can be found on this page. We want to ensure your complete satisfaction at all times.

Throughout this manual, all references to *right* and *left* side of the machine are observed from the operating position

The engine manufacturer is responsible for all engine-related issues with regards to performance, power-rating, specifications, warranty and service. Please refer to the engine manufacturer's Owner's/Operator's Manual, packed separately with your unit, for more information.

## Table of Contents

<b>Safe Operation Practices .....</b>	<b>3</b>	<b>Maintenance &amp; Adjustment .....</b>	<b>11</b>
<b>Assembly &amp; Set-Up .....</b>	<b>6</b>	<b>Service .....</b>	<b>12</b>
<b>Controls &amp; Features.....</b>	<b>8</b>	<b>Troubleshooting .....</b>	<b>14</b>
<b>Operation.....</b>	<b>10</b>	<b>Replacement Parts .....</b>	<b>15</b>

## Record Product Information

Before setting up and operating your new equipment, please locate the model plate on the equipment and record the information in the provided area to the right. You can locate the model plate by standing at the operator's position and looking down at the rear of the deck. This information will be necessary, should you seek technical support via our web site, Customer Support Department, or with a local authorized service dealer.

### MODEL NUMBER

--	--	--	--	--	--	--	--	--	--	--	--

### SERIAL NUMBER

--	--	--	--	--	--	--	--	--	--	--	--

## Customer Support

**Please do NOT return the unit to the retailer or dealer without first contacting our Customer Support Department.**

If you have difficulty assembling this product or have any questions regarding the controls, operation, or maintenance of this unit, you can seek help from the experts. Choose from the options below:

- ◇ Visit us on the web at [www.mtdproducts.com](http://www.mtdproducts.com)
- ◇ Call a Customer Support Representative at (800) 800-7310 or (330) 220-4683
- ◇ Write us at MTD LLC • P.O. Box 361131 • Cleveland, OH • 44136-0019



**WARNING:** This symbol points out important safety instructions which, if not followed, could endanger the personal safety and/or property of yourself and others. Read and follow all instructions in this manual before attempting to operate this machine. Failure to comply with these instructions may result in personal injury. When you see this symbol. **HEED ITS WARNING!**

## CALIFORNIA PROPOSITION 65



**WARNING:** Engine Exhaust, some of its constituents, and certain vehicle components contain or emit chemicals known to State of California to cause cancer and birth defects or other reproductive harm.



**DANGER:** This machine was built to be operated according to the safe operation practices in this manual. As with any type of power equipment, carelessness or error on the part of the operator can result in serious injury. This machine is capable of amputating fingers, hands, toes and feet and throwing debris. Failure to observe the following safety instructions could result in serious injury or death.

## Training

1. Read, understand, and follow all instructions on the machine and in the manual(s) before attempting to assemble and operate. Keep this manual in a safe place for future and regular reference and for ordering replacement parts.
2. Be familiar with all controls and their proper operation. Know how to stop the machine and disengage them quickly.
3. Never allow children under 16 years of age to operate this machine. Children 16 and over should read and understand the instructions and safe operation practices in this manual and on the machine and be trained and supervised by an adult.
4. Never allow adults to operate this machine without proper instruction.
5. Keep bystanders, helpers, pets, and children at least 75 feet from the machine while it is in operation. Stop machine if anyone enters the area.
6. Never run an engine indoors or in a poorly ventilated area. Engine exhaust contains carbon monoxide, an odorless and deadly gas.
7. Do not put hands and feet near rotating parts or in the feeding chambers and discharge opening. Contact with the rotating impeller can amputate fingers, hands, and feet.

8. Never attempt to unclog either the feed intake or discharge opening, remove or empty bag, or inspect and repair the machine while the engine is running. Shut the engine off and wait until all moving parts have come to a complete stop. Disconnect the spark plug wire and ground it against the engine.

## Preparation

1. Thoroughly inspect the area where the equipment is to be used. Remove all rocks, bottles, cans, or other foreign objects which could be picked up or thrown and cause personal injury or damage to the machine.
2. Always wear safety glasses or safety goggles during operation and while performing an adjustment or repair, to protect your eyes. Thrown objects which ricochet can cause serious injury to the eyes.
3. Wear sturdy, rough-soled work shoes and close-fitting slacks and shirts. Loose fitting clothes or jewelry can be caught in movable parts. Never operate this machine in bare feet or sandals. Wear leather work gloves when feeding material in the chipper chute.
4. Before starting, check all bolts and screws for proper tightness to be sure the machine is in safe working condition. Also, visually inspect machine for any damage at frequent intervals.
5. Maintain or replace safety and instructions labels, as necessary.

## Safe Handling of Gasoline

To avoid personal injury or property damage use extreme care in handling gasoline. Gasoline is extremely flammable and the vapors are explosive. Serious personal injury can occur when gasoline is spilled on yourself or your clothes which can ignite. Wash your skin and change clothes immediately.

- a. Use only an approved gasoline container.
- b. Never fill containers inside a vehicle or on a truck or trailer bed with a plastic liner. Always place containers on the ground away from your vehicle before filling.
- c. When practical, remove gas-powered equipment from the truck or trailer and refuel it on the ground. If this is not possible, then refuel such equipment on a trailer with a portable container, rather than from a gasoline dispenser nozzle.
- d. Keep the nozzle in contact with the rim of the fuel tank or container opening at all times until fueling is complete. Do not use a nozzle lock-open device.
- e. Extinguish all cigarettes, cigars, pipes and other sources of ignition.
- f. Never fuel machine indoors.
- g. Never remove gas cap or add fuel while the engine is hot or running. Allow engine to cool at least two minutes before refueling.
- h. Never over fill fuel tank. Fill tank to no more than ½ inch below bottom of filler neck to allow space for fuel expansion.
- i. Replace gasoline cap and tighten securely.
- j. If gasoline is spilled, wipe it off the engine and equipment. Move unit to another area. Wait 5 minutes before starting the engine.
- k. To reduce fire hazards, keep machine free of grass, leaves, or other debris build-up. Clean up oil or fuel spillage and remove any fuel soaked debris.
- l. Never store the machine or fuel container inside where there is an open flame, spark or pilot light as on a water heater, space heater, furnace, clothes dryer or other gas appliances.

## Operation

1. Do not put hands and feet near rotating parts or in the feeding chambers and discharge opening. Contact with the rotating impeller can amputate fingers, hands, and feet.
2. Before starting the machine, make sure the chipper chute, feed intake, and cutting chamber are empty and free of all debris.
3. Thoroughly inspect all material to be shredded and remove any metal, rocks, bottles, cans, or other foreign objects which could cause personal injury or damage to the machine.

4. If it becomes necessary to push material through the shredder hopper, use a small diameter stick. Do not use your hands or feet.
5. If the impeller strikes a foreign object or if your machine should start making an unusual noise or vibration, immediately shut the engine off. Allow the impeller to come to a complete stop. Disconnect the spark plug wire, ground it against the engine and perform the following steps:
  - a. Inspect for damage.
  - b. Repair or replace any damaged parts.
  - c. Check for any loose parts and tighten to assure continued safe operation.
6. Do not allow an accumulation of processed material to build up in the discharge area. This can prevent proper discharge and result in kickback of material through the feed opening.
7. Do not attempt to shred or chip material larger than specified on the machine or in this manual. Personal injury or machine damage could result.
8. Never attempt to unclog either the feed intake or discharge opening while the engine is running. Shut the engine off, wait until all moving parts have stopped, disconnect the spark plug wire and ground it against the engine before clearing debris.
9. Never operate without the shredder hopper, chipper chute, or chute deflector properly attached to the machine. Never empty or change discharge bag while the engine is running.
10. Keep all guards, deflectors and safety devices in place and operating properly.
11. Keep your face and body back and to the side of the chipper chute while feeding material into the machine to avoid accidental kickback injuries.
12. Never operate this machine without good visibility or light.
13. Do not operate this machine on a paved, gravel or non-level surface.
14. Do not operate this machine while under the influence of alcohol or drugs.
15. Muffler and engine become hot and can cause a burn. Do not touch.
16. Never pick up or carry machine while the engine is running.
17. If situations occur which are not covered in this manual, use care and good judgement. Contact Customer Support for assistance and the name of your nearest servicing dealer.

## Maintenance & Storage

1. Never tamper with safety devices. Check their proper operation regularly.
2. Check bolts and screws for proper tightness at frequent intervals to keep the machine in safe working condition. Also, visually inspect machine for any damage and repair, if needed.
3. Before cleaning, repairing, or inspecting, stop the engine

and make certain the impeller and all moving parts have stopped. Disconnect the spark plug wire and ground it against the engine to prevent unintended starting.

4. Do not change the engine governor settings or overspeed the engine. The governor controls the maximum safe operating speed of the engine.
5. Maintain or replace safety and instruction labels, as necessary.
6. Follow this manual for safe loading, unloading, transporting, and storage of this machine.
7. Never store the machine or fuel container inside where there is an open flame, spark or pilot light such as a water heater, furnace, clothes dryer, etc.
8. Always refer to the operator's manual for proper instructions on off-season storage.
9. If the fuel tank has to be drained, do this outdoors.
10. Observe proper disposal laws and regulations for gas, oil, etc. to protect the environment.

### Do not modify engine

To avoid serious injury or death, do not modify engine in any way. Tampering with the governor setting can lead to a runaway engine and cause it to operate at unsafe speeds. Never tamper with factory setting of engine governor.

### Notice Regarding Emissions

Engines which are certified to comply with California and federal EPA emission regulations for SORE (Small Off Road Equipment) are certified to operate on regular unleaded gasoline, and may include the following emission control systems: Engine Modification (EM) and Three Way Catalyst (TWC) if so equipped.

### Spark Arrestor



**WARNING:** This machine is equipped with an internal combustion engine and should not be used on or near any unimproved forest-covered, brushcovered or grass-covered land unless the engine's exhaust system is equipped with a spark arrester meeting applicable local or state laws (if any).

If a spark arrester is used, it should be maintained in effective working order by the operator. In the State of California the above is required by law (Section 4442 of the California Public Resources Code). Other states may have similar laws. Federal laws apply on federal lands.

A spark arrester for the muffler is available through your nearest engine authorized service dealer or contact the service department, P.O. Box 361131 Cleveland, Ohio 44136-0019.

### Average Useful Life

According to the Consumer Products Safety Commission (CPSC) and the U.S. Environmental Protection Agency (EPA), this product has an *Average Useful Life* of seven (7) years, or 60 hours of operation. At the end of the *Average Useful Life*, buy a new machine or have the machine inspected annually by an authorized service dealer to ensure that all mechanical and safety systems are working properly and not worn excessively. Failure to do so can result in accidents, injuries or death.



**WARNING:** Your Responsibility—Restrict the use of this power machine to persons who read, understand and follow the warnings and instructions in this manual and on the machine.

**SAVE THESE INSTRUCTIONS!**

## Contents of Carton

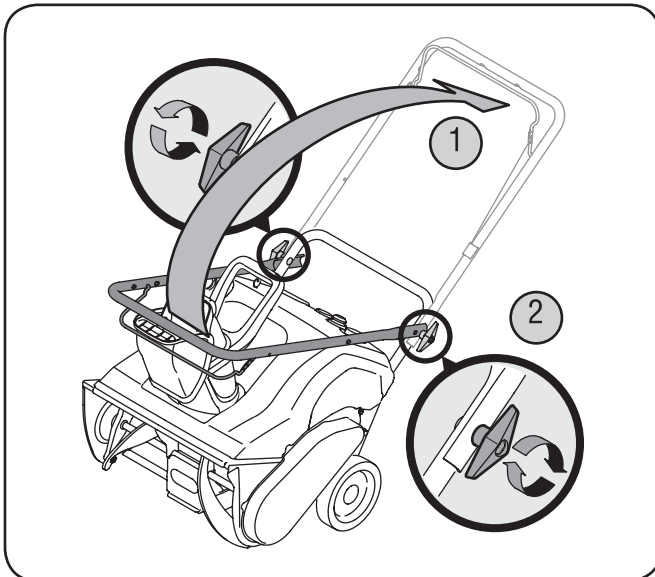
- Two Ignition Keys
- One 2.6 oz. Bottle of Two Cycle Oil
- One Extension Cord (if equipped)
- One Snow Thrower Operator's Manual
- One Tecumseh Engine Operator's Manual
- One Product Registration Card

**NOTE:** This Operator's Manual covers several models. Snow thrower features may vary by model. Not all features in this manual are applicable to all snow thrower models.

## Assembly

### Positioning the Upper Handle

1. Making sure not to pinch the cable in the process, pivot the upper handle into the operating position as illustrated in Fig. 3-1 until it clicks into place.



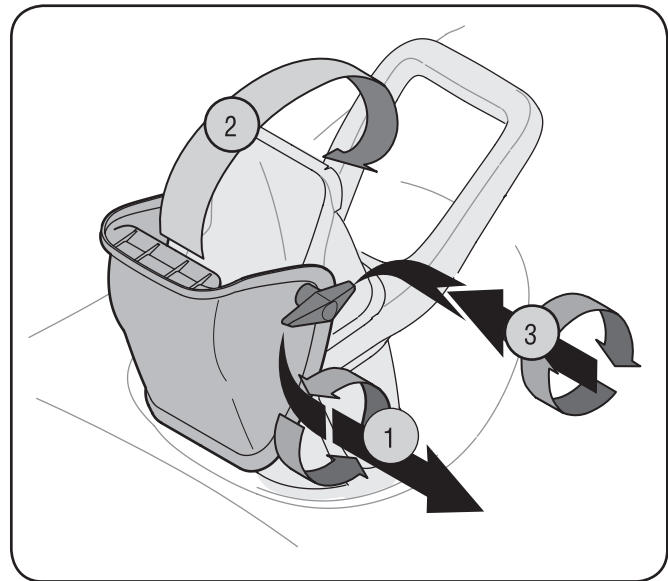
**Figure 3-1**

2. Tighten the wing knobs to secure the handle in place. See Fig. 3-1.

### Assembling the Discharge Chute

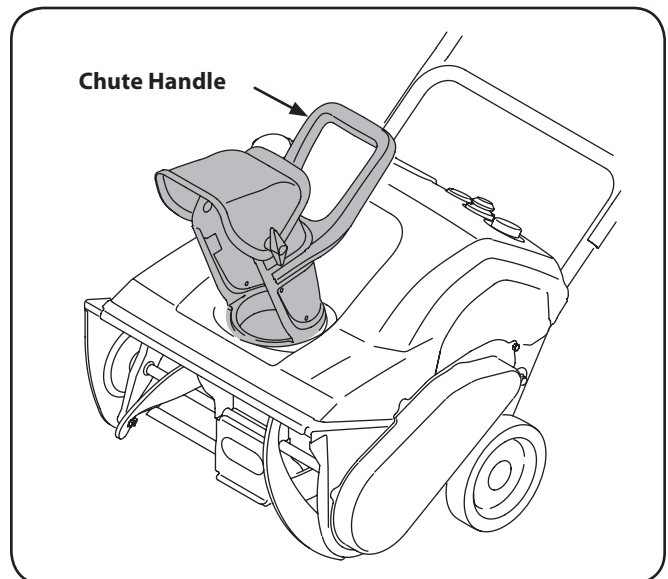
For shipping reasons, the snow thrower has been packaged with the upper chute pivoted all the way down. To pivot it upward, proceed as follows:

1. Remove the wing knob, flat washer and carriage bolt from the lower chute. See Fig. 3-2.



**Figure 3-2**

2. Pivot the upper chute upward over the lip on the lower chute so that there is no gap between the upper chute and the lower chute.
3. Secure with the hardware just removed. Refer to Fig. 3-3.



**Figure 3-3**

## Fuel And Oil Mixture

Your snow thrower is equipped with a two-cycle engine that requires a mixture of gasoline and two cycle oil at a ratio of 50:1. Refer to the engine operator's manual for detailed instructions regarding the mixture of oil and gasoline for your snow thrower's engine.

## Fuel Fill-Up



**WARNING!** Use extreme care when handling gasoline. Gasoline is extremely flammable and the vapors are explosive. Never fuel the machine indoors or while the engine is hot or running. Extinguish cigarettes, cigars, pipes and other sources of ignition.

1. Check fuel level and add if necessary. Follow related instructions in the separate engine manual packed with your snow thrower .

**NOTE:** A plastic insert may have been placed into the fuel tank to prevent dirt and debris from entering the tank during assembly. Remove this insert before attempting to fill with fuel.

## Adjustments

### Chute Assembly

The pitch of the chute assembly controls the angle at which the snow is thrown.

1. Loosen the wing knob found on the left side of the chute assembly and pivot the upper chute upward or downward to the desired pitch. Retighten the wing knob before operating the snow thrower.
2. Position the chute assembly opening by using the Chute Handle to throw the snow in the desired direction. See Fig. 3-4.

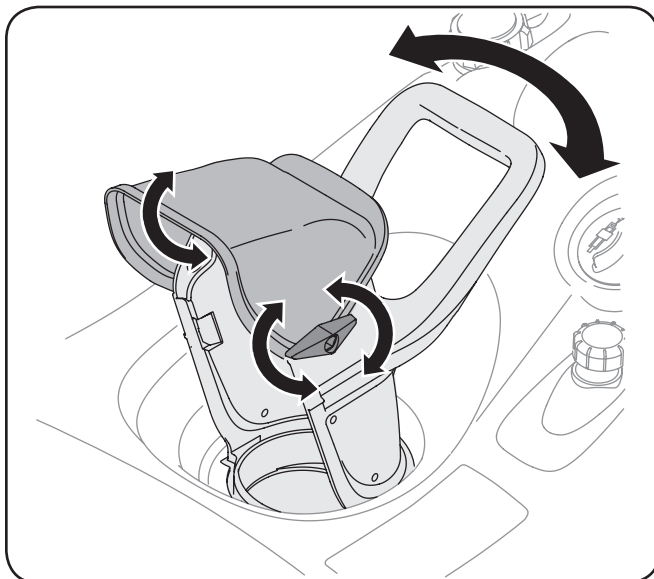


Figure 3-4

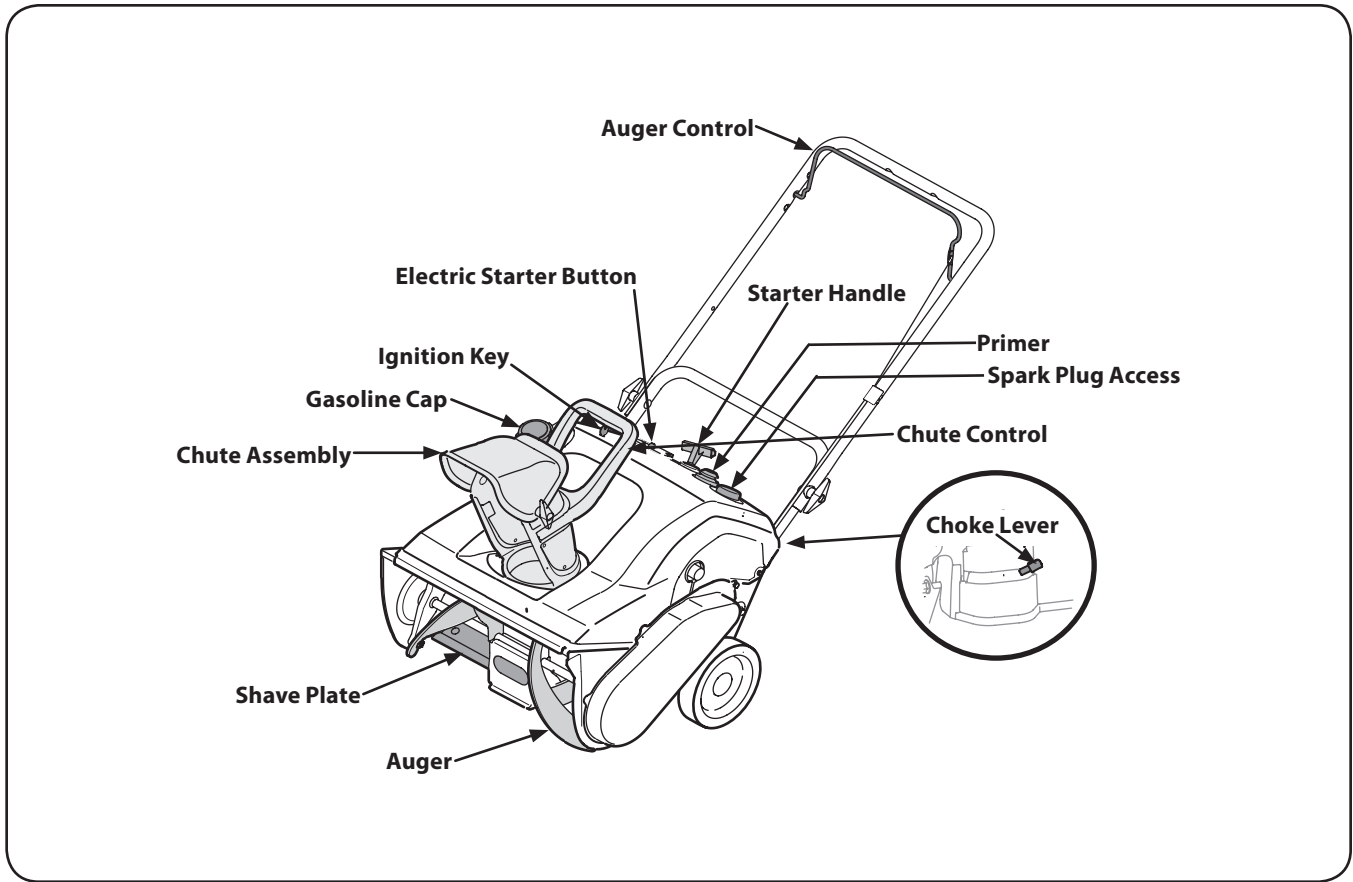


Figure 4-1

## Choke Lever



Activating choke control closes the choke plate on carburetor and aids in starting engine. Refer to the engine manual packed with unit for more detailed instructions.

## Primer

Pressing primer forces fuel directly into engine's carburetor to aid in cold-weather starting. Refer to engine manual packed with unit for more detailed instructions.



## Ignition Key

Ignition key must be present, inserted in key switch, and in the "ON/RUN" position for engine to start.



## Recoil Starter

The starter handle is used to manually start the engine.

## Electric Starter Button

Pressing the electric starter button engages the engine's electric starter when plugged into a 120V power source

## Electric Starter Outlet

Requires use of a two-prong outdoor extension cord and a 120V power source/wall outlet.

## Spark Plug Access

Remove spark plug cover to access spark plug.

## Auger

When engaged, the augers rotation draws snow into the auger housing and throws it out the discharge chute. Rubber paddles on the augers also aid in propelling the unit as they come in contact with the pavement.

## Auger Control

Located on the upper handle, the auger control handle is used to engage and disengage drive to the auger. Squeeze the control handle against the upper handle to engage auger; release it to disengage.



## **Chute Assembly**

Rotate the discharge chute to the left or right using the chute handle. The pitch of the discharge chute controls angle at which the snow is thrown. Loosen the wing knob on the side of the discharge chute before pivoting the discharge chute upward or downward. Retighten the knob once the desired position has been achieved.

## **Shave Plate**

The shave plate maintains contact with the pavement as the snow thrower is propelled, allowing snow close to the pavement's surface to be discharged.

## **Gasoline Cap**

Remove the gas cap to add fuel. This machine runs on a mixture of fuel and oil. Do NOT operate the snow thrower without first reading the engine operator's manual for instructions regarding proper fuel and engine oil.

## Before Starting



**WARNING!** Read, understand and follow all instructions and warnings on the machine and in this manual before operating.

**NOTE:** For complete and detailed engine starting, stopping and storing instructions, it is recommended that you read the engine manual also included with this unit.

1. The spark plug wire was disconnected for safety. Attach the spark plug wire to the spark plug before starting.

## Starting the Engine

1. To avoid carbon monoxide poisoning, make sure the engine is outdoors in a well-ventilated area.
2. Insert the ignition key into the slot. Turn key to ON position.
3. Now follow the instructions below as it pertains to your machine.

## Electric Starter



**WARNING!** The electric starter must be used with a properly grounded two-prong receptacle at all times to avoid the possibility of electric shock. Follow all instructions carefully prior to operating the electric starter.

1. The electric starter is equipped with a grounded two-wire power cord and a plug. It is designed to operate on a 110 volt AC household current.
2. Move the Choke Control to the "Full" position.
3. Push the Primer three (3) times, making sure to cover the vent hole when pushing.
4. Connect the power cord to the switch box on the dash panel. Plug the other end of the power cord into a three-prong 110-volt, grounded, AC receptacle.
5. Push the starter button to crank the engine.
6. When engine starts, release starter button, and move choke gradually to ½ Choke until engine runs smoothly. Next move the Choke to OFF. If engine falters, move choke immediately to FULL and then gradually to ½ then to OFF.
7. Disconnect the power cord. Always unplug from the outlet first, and then from the snow thrower.

## Recoil Starter

1. Move the choke lever to FULL choke position (cold engine start).
2. If the engine is warm, place the choke in OFF position instead of FULL.
3. Push the Primer three (3) times, making sure to cover the vent hole when pushing.
4. If the engine is warm, push the primer button only once.

**NOTE:** Always cover the vent hole in the primer button when pushing. Additional priming may be necessary for first start if temperature is below 15 degrees Fahrenheit.

5. Grasp the starter handle and pull the rope out slowly, until it pulls slightly harder. Let the rope rewind slowly.
6. Pull the starter handle rapidly. Do not allow the handle to snap back. Allow it to rewind slowly while keeping a firm hold on the starter handle.
7. As the engine warms up and begins to operate evenly, rotate the choke lever slowly to the ½ Choke position. When the engine begins to run smoothly, move the choke to the OFF position. If the engine falters, return to FULL choke, then slowly move to ½ then OFF position.

## Stopping the Engine

1. Run the engine for a few minutes before stopping to help dry off any moisture on the engine.
2. To stop the engine, turn the ignition key to the OFF/STOP position
3. Remove the ignition key and store it in a safe place.
4. Wipe all the snow and moisture from the area around the engine.

**NOTE:** Excessive upward pressure on the handle will result in premature wear on the rubber auger blades which would not be covered by warranty.



**WARNING!** Muffler, engine and surrounding areas become hot and can cause a burn. Be careful and do not touch when hot.

## Engaging the Augers

1. Engage the auger by squeezing the auger control against the upper handle. Release to stop the augers.

## Engaging the Drive

1. Lift up slightly on the handle to allow the rubber paddles on the auger to contact the pavement and propel the snow thrower forward. Pushing downward on the handle will raise the augers off the ground and stop forward motion.

## Adjustments

### Engine

Refer to the Tecumseh Engine Manual packed with your machine for all engine maintenance.



**WARNING!** Before Servicing, repairing or inspecting the snow thrower, disengage the auger control. Stop the engine and remove the key to prevent unintended starting.

### Shave Plate

1. To check the adjustment of the shave plate, place the machine on a level surface. The wheels, shave plate and augers should all contact level surface. Note that if the shave plate is adjusted too high, snow may blow under the housing. If the shave plate wears out excessively, or the unit does not self-propel, the shave plate may be too low and needs to be adjusted.

**NOTE:** On new machines or machines with a new shave plate installed, the augers may be slightly off the ground.

2. To adjust, tip the snow thrower back so that it rests on the handle. Loosen the four lock nuts and bolts which secure the shave plate to the housing. See Fig. 6-1. Move the shave plate to desired position and retighten the nuts and bolts securely.

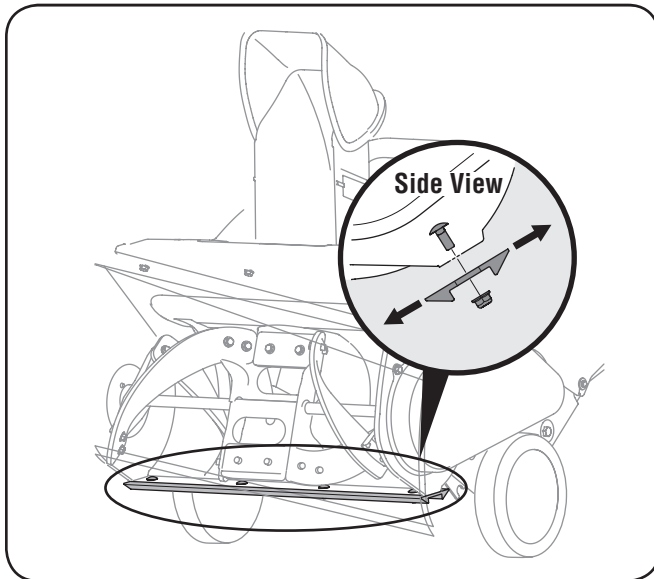


Figure 6-1

### Control Cable

As a result of both the control cable and the auger drive belt stretching due to wear, periodic adjustments may be necessary.

If the auger seems to hesitate when rotating, proceed as follows:

The upper hole in the control handle provides for an adjustment in cable tension. To adjust, disconnect the end of control cable from the bottom hole in the control handle and reinsert it in the upper hole. Insert the cable from the outside as shown in Fig. 6-2. Test the snow thrower to see if there is a noticeable difference.

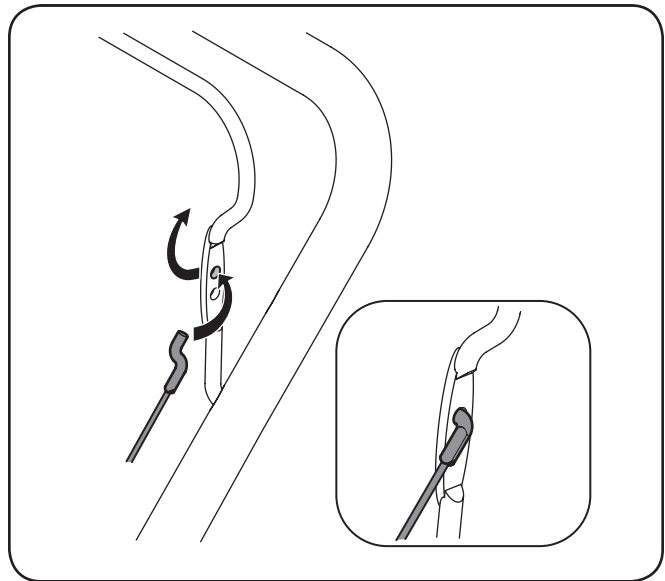


Figure 6-2

### Chute Assembly

Refer to the Assembly and Set-up section for instructions on adjusting the chute assembly.

### Maintenance

#### Lubrication

Lubricate the pivot points on the control handle and the extension spring at the end of the control cable with a light oil once every season and before storage of the snow thrower at the end of the season.

#### Off-Season Storage

If the snow thrower will not be used for 30 days or longer, follow the instructions below.

1. Store the equipment in a clean, dry area.
2. If storing the snow thrower in an unventilated area, rustproof the machine using a light oil or silicone to coat the snow thrower.
3. Clean the exterior of the engine and the snow thrower.

## Replacing Belt

1. Remove the belt cover by removing five hex screws. See Fig. 7-1.
2. Remove the belt by grasping it from the bottom of the auger pulley and pulling outward.

**NOTE:** Push down on the idler pulley to release the belt from under the belt keeper. See Fig. 7-1.

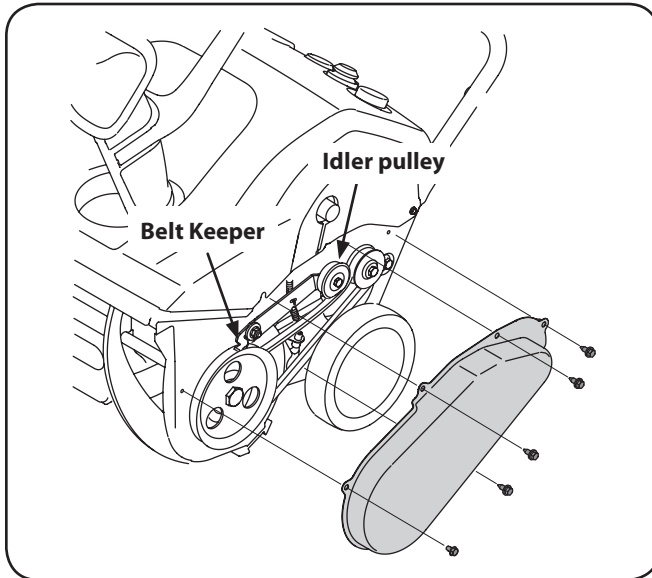


Figure 7-1

To replace the belt follow these instructions and refer to Fig. 7-2:

1. Push down on the Idler pulley.
2. Position the belt on top of the auger pulley, under the belt keeper.
3. Route the belt around the engine pulley.
4. Push the belt over the bottom of the auger pulley.
5. Reinstall the belt cover removed earlier.

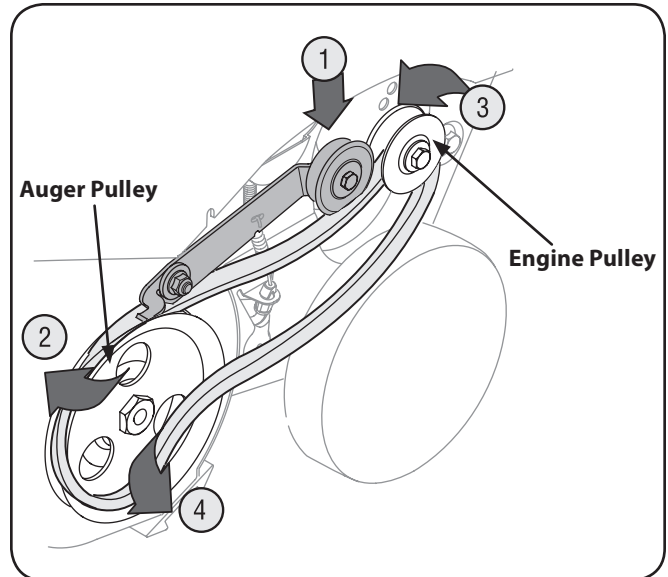


Figure 7-2

## Replacing Auger Paddles

The snow thrower auger's rubber paddles are subject to wear and should be replaced if any signs of excessive wear are present.



**CAUTION:** Do NOT allow the auger's rubber paddles to wear to the point where portions of the metal auger itself can come in contact with the pavement. Doing so can result in serious damage to your snow thrower.

To change the rubber paddles, proceed as follows:

1. Remove the existing rubber paddles by unthreading the self-tapping screws which secure them to the auger. See Fig. 7-3.

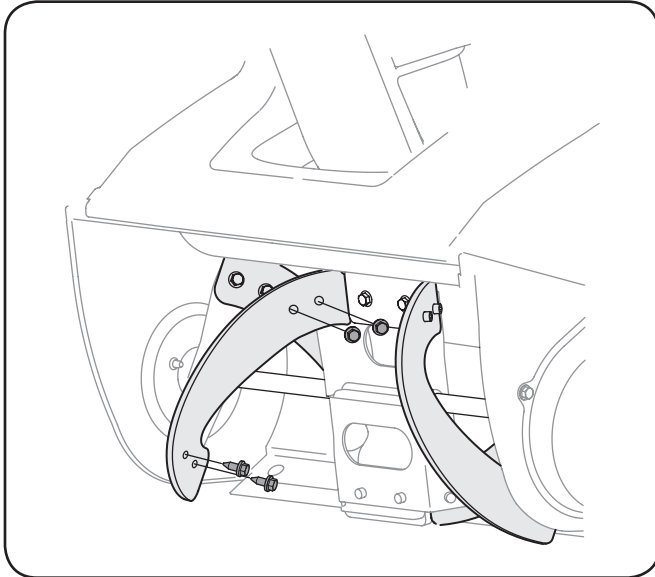


Figure 7-3

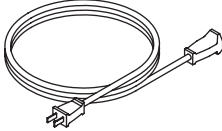
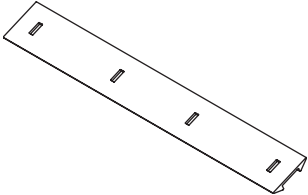
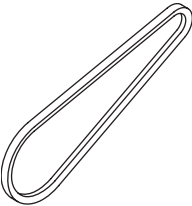
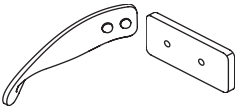


2. Secure the replacement rubber paddles to the auger using the hardware removed earlier.

## Replacing Shave Plate

The shave plate is attached to the bottom of the auger housing and is subject to wear. It should be checked periodically. There are two wearing edges and the shave plate can be reversed.

1. Remove the four carriage bolts and hex lock nuts which attach it to the snow thrower housing.
2. Install new shave plate, making sure the heads of the carriage bolts are on the inside of the housing.
3. Adjust the shave plate as instructed on page 11. Refer to Fig. 6-1.
4. Tighten securely once adjusted.

Problem	Cause	Remedy
Engine Fails to start	<ol style="list-style-type: none"> <li>1. Fuel tank empty, or stale fuel.</li> <li>2. Improper fuel mixture.</li> <li>3. Blocked fuel line.</li> <li>4. Key not in ON position.</li> <li>5. Spark plug wire disconnected.</li> <li>6. Faulty spark plug.</li> <li>7. Engine not primed.</li> <li>8. Engine flooded from excessive priming.</li> </ol>	<ol style="list-style-type: none"> <li>1. Fill tank with clean fresh gasoline.</li> <li>2. Mix new fuel at a ratio of 50:1.</li> <li>3. Clean fuel line.</li> <li>4. Insert key and turn to ON position.</li> <li>5. Connect wire to spark plug.</li> <li>6. Clean spark plug, readjust gap, or replace.</li> <li>7. Prime engine four times.</li> <li>8. Wait at least ten minutes before starting.</li> </ol>
Engine runs erratic	<ol style="list-style-type: none"> <li>1. Unit running on choke.</li> <li>2. Fuel line blocked, or stale fuel.</li> <li>3. Water or dirt in fuel system.</li> <li>4. Carburetor out of adjustment.</li> </ol>	<ol style="list-style-type: none"> <li>1. Move choke lever to OFF position.</li> <li>2. Clean fuel line and fill tank with fresh, clean gasoline.</li> <li>3. Refer to Tecumseh engine manual.</li> <li>4. Refer to Tecumseh engine manual.</li> </ol>
Engine overheats	<ol style="list-style-type: none"> <li>1. Carburetor out of adjustment.</li> </ol>	<ol style="list-style-type: none"> <li>1. Refer to engine manual for instruction.</li> </ol>
Loss of power	<ol style="list-style-type: none"> <li>1. Spark plug wire loose.</li> <li>2. Vent in gas cap plugged.</li> </ol>	<ol style="list-style-type: none"> <li>1. Firmly connect spark plug wire.</li> <li>2. Clear vent.</li> </ol>
Excessive vibration	<ol style="list-style-type: none"> <li>1. Loose parts or damaged auger.</li> </ol>	<ol style="list-style-type: none"> <li>1. Stop engine immediately and disconnect spark plug wire. Check for possible damage. Tighten all bolts and nuts. Repair as needed. If the problem persists, take unit to an authorized service dealer.</li> </ol>
Unit fails to self-propel	<ol style="list-style-type: none"> <li>1. Auger control cable out of adjustment.</li> <li>2. Auger drive belt loose or damaged.</li> </ol>	<ol style="list-style-type: none"> <li>1. Adjust auger control cable as shown in Maintenance and Adjustments section.</li> <li>2. Replace auger drive belt.</li> </ol>
Augers continue to rotate	<ol style="list-style-type: none"> <li>1. Cable out of adjustment.</li> </ol>	<ol style="list-style-type: none"> <li>1. Adjust auger control cable as shown in Maintenance and Adjustments section.</li> </ol>
Unit fails to discharge snow	<ol style="list-style-type: none"> <li>1. Chute assembly clogged.</li> <li>2. Shear pin sheared.</li> <li>3. Foreign object lodged in auger.</li> <li>4. Auger control cable out of adjustment.</li> <li>5. Auger belt loose or damaged.</li> </ol>	<ol style="list-style-type: none"> <li>1. Stop engine and disconnect spark plug wire. Clean chute and inside of auger housing with clean-out tool or stick.</li> <li>2. Replace shear pin.</li> <li>3. Stop engine immediately and disconnect the spark plug wire. Remove object from auger.</li> <li>4. Adjust auger control cable.</li> <li>5. Replace auger belt.</li> </ol>

Component	Part Number and Description
	629-0236      Extension Cord , 110 Volt
	731-1033      Shave Plate
	954-0367      Auger Drive Belt
	735-04032      Spiral Crescent 735-04033      Rubber Paddle
	925-0201      Keys (set of 2)
	746-04237      Cable Clutch

Phone (800) 800-7310 to order replacement parts or a complete Parts Manual (have your full model number and serial number ready).  
 Parts Manual downloads are also available free of charge at [www.mtdproducts.com](http://www.mtdproducts.com).

# MANUFACTURER'S LIMITED WARRANTY FOR



The limited warranty set forth below is given by MTD LLC with respect to new merchandise purchased and used in the United States and/or its territories and possessions, and by MTD Products Limited with respect to new merchandise purchased and used in Canada and/or its territories and possessions (either entity respectively, "MTD").

"MTD" warrants this product (excluding its *Normal Wear Parts and Attachments* as described below) against defects in material and workmanship for a period of two (2) years commencing on the date of original purchase and will, at its option, repair or replace, free of charge, any part found to be defective in materials or workmanship. This limited warranty shall only apply if this product has been operated and maintained in accordance with the Operator's Manual furnished with the product, and has not been subject to misuse, abuse, commercial use, neglect, accident, improper maintenance, alteration, vandalism, theft, fire, water, or damage because of other peril or natural disaster. Damage resulting from the installation or use of any part, accessory or attachment not approved by MTD for use with the product(s) covered by this manual will void your warranty as to any resulting damage.

*Normal Wear Parts* are warranted to be free from defects in material and workmanship for a period of thirty (30) days from the date of purchase. Normal wear parts include, but are not limited to items such as: batteries, belts, blades, blade adapters, tines, grass bags, wheels, rider deck wheels, seats, snow thrower skid shoes, friction wheels, shave plates, auger spiral rubber and tires.

*Attachments* — MTD warrants attachments for this product against defects in material and workmanship for a period of one (1) year, commencing on the date of the attachment's original purchase or lease. Attachments include, but are not limited to items such as: grass collectors and mulch kits.

**HOW TO OBTAIN SERVICE:** Warranty service is available, WITH PROOF OF PURCHASE, through your local authorized service dealer. To locate the dealer in your area:

## In the U.S.A.

Check your Yellow Pages, or contact MTD LLC at P.O. Box 361131, Cleveland, Ohio 44136-0019, or call 1-800-800-7310, 1-330-220-4683 or log on to our Web site at [www.mtdproducts.com](http://www.mtdproducts.com).

## In Canada

Contact MTD Products Limited, Kitchener, ON N2G 4J1, or call 1-800-668-1238 or log on to our Web site at [www.mtdcanada.com](http://www.mtdcanada.com).

This limited warranty does **not** provide coverage in the following cases:

- The engine or component parts thereof. These items may carry a separate manufacturer's warranty. Refer to applicable manufacturer's warranty for terms and conditions.
- Log splitter pumps, valves, and cylinders have a separate one-year warranty.

- Routine maintenance items such as lubricants, filters, blade sharpening, tune-ups, brake adjustments, clutch adjustments, deck adjustments, and normal deterioration of the exterior finish due to use or exposure.
- Service completed by someone other than an authorized service dealer.
- MTD does not extend any warranty for products sold or exported outside of the United States and/or Canada, and their respective possessions and territories, except those sold through MTD's authorized channels of export distribution.
- Replacement parts that are not genuine MTD parts.
- Transportation charges and service calls.
- MTD does not warrant this product for commercial use.

**No implied warranty, including any implied warranty of merchantability of fitness for a particular purpose, applies after the applicable period of express written warranty above as to the parts as identified. No other express warranty, whether written or oral, except as mentioned above, given by any person or entity, including a dealer or retailer, with respect to any product, shall bind MTD. During the period of the warranty, the exclusive remedy is repair or replacement of the product as set forth above.**

**The provisions as set forth in this warranty provide the sole and exclusive remedy arising from the sale. MTD shall not be liable for incidental or consequential loss or damage including, without limitation, expenses incurred for substitute or replacement lawn care services or for rental expenses to temporarily replace a warranted product.**

Some states do not allow the exclusion or limitation of incidental or consequential damages, or limitations on how long an implied warranty lasts, so the above exclusions or limitations may not apply to you.

In no event shall recovery of any kind be greater than the amount of the purchase price of the product sold. **Alteration of safety features of the product shall void this warranty.** You assume the risk and liability for loss, damage, or injury to you and your property and/or to others and their property arising out of the misuse or inability to use the product.

This limited warranty shall not extend to anyone other than the original purchaser or to the person for whom it was purchased as a gift.

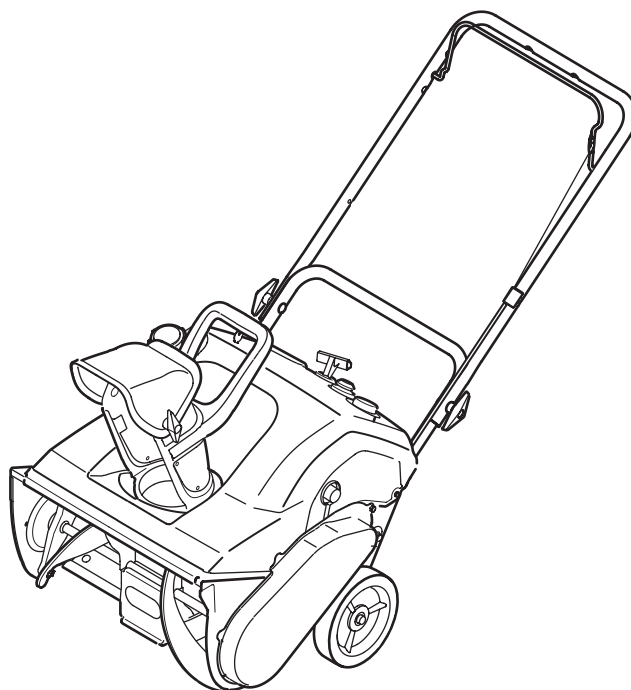
**HOW STATE LAW RELATES TO THIS WARRANTY:** This limited warranty gives you specific legal rights, and you may also have other rights which vary from state to state.

**IMPORTANT:** Owner must present Original Proof of Purchase to obtain warranty coverage.

**MTD LLC, P.O. BOX 361131 CLEVELAND, OHIO 44136-0019; Phone: 1-800-800-7310, 1-330-220-4683**  
**MTD Canada Limited - KITCHENER, ON N2G 4J1; Phone 1-800-668-1238**



# MANUAL DEL OPERADOR



## Máquina quitanieve de etapa única — Dos-Ciclo

### **⚠ ADVERTENCIA**

**LEA Y SIGA TODAS LAS INSTRUCCIONES DE ESTE MANUAL  
ANTES DE PONER EN FUNCIONAMIENTO ESTA MÁQUINA.  
SI NO RESPETA ESTAS INSTRUCCIONES PUEDE PROVOCAR LESIONES PERSONALES.**

MTD LLC, P.O. BOX 361131 CLEVELAND, OHIO 44136-0019

## Gracias

Gracias por comprar una máquina quitanieve fabricada por MTD LLC. La misma ha sido diseñada cuidadosamente para brindar excelente rendimiento si se la opera y mantiene correctamente.

Por favor lea todo este manual antes de operar el equipo. Le indica cómo configurar, operar y mantener la máquina con seguridad y fácilmente. Por favor asegúrese de seguir cuidadosamente y en todo momento las prácticas de seguridad recomendadas, y hacérselas seguir a cualquier otra persona que opere la máquina. En caso de no hacerlo podrían producirse lesiones personales o daños materiales.

Toda la información contenida en este manual hace referencia a la más reciente información de producto disponible en el momento de la impresión. Revise el manual frecuentemente para familiarizarse con la unidad, sus características y funcionamiento. Por favor tenga en cuenta que este Manual del Operador puede cubrir una gama de especificaciones de productos de diferentes modelos. Las características y funciones incluidas y/o ilustradas en este manual pueden no ser aplicables a todos los modelos. MTD LLC se reserva el derecho de modificar las especificaciones de los productos, los diseños y el equipo

estándar sin previo aviso y sin generar responsabilidad por obligaciones de ningún tipo.

Este producto cumple con las estrictas normas de seguridad del Outdoor Power Equipment Institute y de un laboratorio de pruebas independiente. Si tiene algún problema o duda respecto a la unidad, llame a un distribuidor de servicio MTD autorizado o póngase en contacto directamente con nosotros. Los números de teléfono, dirección del sitio web y dirección postal de la Asistencia al Cliente de MTD se encuentran en esta página. Queremos garantizar su entera satisfacción en todo momento.

En este manual, las referencias al lado *derecho* o *izquierdo* de la máquina se observan desde la posición del operador.

El fabricante del motor es el responsable de todas las cuestiones relacionadas con el rendimiento, potencia de salida, especificaciones, garantía y mantenimiento del motor. Para obtener mayor información consulte el Manual del Propietario / Operador entregado por el fabricante del motor, que se envía, en un paquete por separado, junto con su unidad.

## Índice

<b>Importante Medidas importantes de seguridad..</b>	<b>3</b>	<b>Mantenimiento y Ajustes.....</b>	<b>11</b>
<b>Ensamblado y Configuración.....</b>	<b>6</b>	<b>Servicio.....</b>	<b>12</b>
<b>Controles y Características.....</b>	<b>8</b>	<b>Solución de Problemas .....</b>	<b>14</b>
<b>Funcionamiento .....</b>	<b>10</b>	<b>Piezas de Reemplazo .....</b>	<b>15</b>

## Registro de información de producto

Antes de configurar y operar su equipo nuevo, por favor localice la placa del modelo en el equipo y registre la información en el área situada a la derecha. Para encontrar la placa de modelo, colóquese detrás de la unidad en la posición del operador y mire hacia la parte inferior de la sección trasera del chasis. Si tiene que solicitar soporte técnico a través de nuestro sitio web, el Departamento de Asistencia al Cliente, o de un distribuidor de servicio autorizado local, necesitará esta información.

### NÚMERO DE MODELO

--	--	--	--	--	--	--	--	--	--	--

### NÚMERO DE SERIE

--	--	--	--	--	--	--	--	--	--	--

## Asistencia al Cliente

**Por favor, NO devuelva la unidad al minorista o distribuidor sin ponerse en contacto primero con el Departamento de Asistencia al Cliente.**

En caso de tener problemas para montar este producto o de tener dudas con respecto a los controles, funcionamiento o mantenimiento del mismo, puede solicitar la ayuda de expertos. Elija entre las opciones que se presentan a continuación:

- ◇ Visite nuestro sitio web en [www.mtdproducts.com](http://www.mtdproducts.com)
- ◇ Llame a un representante de Asistencia al Cliente al (800) 800-7310 or (330) 220-4683
- ◇ Escríbanos a MTD LLC • P.O. Box 361131 • Cleveland, OH • 44136-0019



**ADVERTENCIA:** La presencia de este símbolo indica que se trata de instrucciones importantes de seguridad que se deben respetar para evitar poner en peligro su seguridad personal y/o material y la de otras personas. Lea y siga todas las instrucciones de este manual antes de poner en funcionamiento esta máquina. Si no respeta estas instrucciones puede provocar lesiones personales.

## PROPOSICIÓN 65 DE CALIFORNIA



**ADVERTENCIA:** El escape del motor de este producto, algunos de sus componentes y algunos componentes del vehículo contienen o liberan sustancias químicas que el estado de California considera que pueden producir cáncer, defectos de nacimiento u otros problemas reproductivos.

**CUANDO** vea este símbolo. **¡TENGA EN CUENTAS LAS ADVERTENCIAS!**



**PELIGRO:** Esta máquina está diseñada para ser utilizada respetando las normas de seguridad contenidas en este manual. Al igual que con cualquier tipo de equipo motorizado, un descuido o error por parte del operador puede producir lesiones graves. Esta máquina es capaz de amputar dedos, manos y pies y de arrojar objetos extraños con gran fuerza. De no respetar las instrucciones de seguridad siguientes se pueden producir lesiones graves o la muerte.

## Capacitación

1. Lea, entienda y cumpla todas las instrucciones incluidas en la máquina y en los manuales antes de montarla y utilizarla. Guarde este manual en un lugar seguro para consultas futuras y periódicas, así como para solicitar repuestos.
2. Familiarícese con todos los controles y con el uso adecuado de los mismos. Sepa cómo detener la máquina y desactivar los controles rápidamente.
3. No permita nunca que los niños menores de 14 años utilicen esta máquina. Los niños de 14 años en adelante deben leer y entender las instrucciones de operación y normas de seguridad contenidas en este manual, y en la máquina y deben ser entrenados y supervisados por un adulto.
4. Nunca permita que los adultos operen esta máquina sin recibir antes la instrucción apropiada.
5. Los objetos arrojados por la máquina pueden producir lesiones graves. Planifique el patrón en el que va a ir arrojando nieve para evitar que la descarga de material se realice hacia los caminos, los observadores, etc.
6. Mantenga a los observadores, ayudantes, mascotas y niños por lo menos a 75 pies de la máquina mientras la misma está en funcionamiento. Detenga la máquina si alguien se acerca.
7. Sea precavido para evitar patinarse o caerse especialmente cuando opera la máquina en reversa.

## 8. Preparativos

- Inspeccione minuciosamente el área donde utilizará el equipo. Saque todos los felpudos, periódicos, trineos, tablas, cables y otros objetos extraños con los que podría tropezar o que podrían ser arrojados por la barrena / impulsor.
1. Para protegerse los ojos utilice siempre anteojos o antiparras de seguridad mientras opera la máquina o mientras la ajusta o repara. Los objetos arrojados que rebotan pueden producir lesiones oculares graves.
  2. No opere la máquina sin la vestimenta adecuada para estar al aire libre en invierno. No utilice alhajas, bufandas largas u otras prendas sueltas que podrían enredarse en las partes móviles. Utilice un calzado especial para superficies resbaladizas.
  3. Use un prolongador y un tomacorriente de tres cables con conexión a tierra para todas las máquinas con motores de encendido eléctrico.
  4. Ajuste la altura de la caja del tomacorriente para limpiar la grava o las superficies con piedras trituradas.
  5. Desengrane todas las palancas de control antes de arrancar el motor.
  6. Nunca intente realizar ajustes mientras el motor está en marcha excepto en los casos específicamente recomendados en el manual del operador.
  7. Deje que el motor y la máquina se adapten a la temperatura exterior antes de comenzar a sacar la nieve.

## Manejo seguro de la gasolina

Para evitar lesiones personales o daños materiales tenga mucho cuidado cuando trabaje con gasolina. La gasolina es sumamente inflamable y sus vapores pueden causar explosiones. Si se derrama gasolina encima o sobre la ropa se puede lesionar gravemente ya que se puede incendiar. Lávese la piel y cámbiese de ropa de inmediato.

- a. Utilice sólo los recipientes para gasolina autorizados.
- b. Apague todos los cigarrillos, cigarros, pipas y otras fuentes de combustión.
- c. Nunca cargue combustible en la máquina en un espacio cerrado.
- d. Nunca saque la tapa del combustible ni agregue combustible mientras el motor está caliente o en marcha.
- e. Deje que el motor se enfríe por lo menos dos minutos antes de volver a cargar combustible.
- f. Nunca llene en exceso el depósito de combustible. Llene el tanque a no más de ½ pulgada por debajo de la base del cuello de llenado dejando espacio para la dilatación del combustible.
- g. Vuelva a colocar la tapa de la gasolina y ajústela bien.
- h. Limpie el combustible que se haya derramado sobre el motor y el equipo. Traslade la máquina a otra zona. Espere 5 minutos antes de encender el motor.
- i. Nunca almacene la máquina o el recipiente de combustible en un espacio cerrado donde haya fuego, chispas o luz piloto (por ejemplo, hornos, calentadores de agua, calefactores, secadores de ropa, etc.).
- j. Deje que la máquina se enfríe por lo menos 5 minutos antes de guardarla.
- k. Nunca llene los recipientes en el interior de un vehículo o camión o caja de remolque con recubrimientos plásticos. Coloque siempre los recipientes en el piso y lejos del vehículo antes de llenarlos.
- l. Si es posible, retire el equipo a gasolina del camión o remolque y llénelo en el suelo. Si esto no es posible, llene el equipo en un remolque con contenedor portátil, en vez de desde una boquilla dispensadora de gasolina.
- m. Mantenga la boquilla dispensadora en contacto con el borde del depósito de combustible o con la abertura del recipiente en todo momento, hasta terminar la carga. No utilice un dispositivo de apertura/cierre de boquilla.

## Funcionamiento

1. No ponga las manos o los pies cerca de las piezas rotatorias, en la caja de la barrena / impulsor o en el montaje del canal de descarga. Hacer contacto con piezas giratorias puede resultar en la amputación de manos o pies.
2. La palanca de control de la barrena / impulsor es un dispositivo de seguridad. Nunca evite su funcionamiento. De hacerlo la operación de la máquina es riesgosa y puede ocasionar lesiones.
3. Las palancas de control deben funcionar bien en ambas direcciones y regresar automáticamente a la posición de desengrane cuando se las suelta.

4. Nunca opere la máquina si falta un montaje del canal o si el mismo está dañado. Mantenga todos los dispositivos de seguridad en su lugar y en funcionamiento.
5. Nunca encienda el motor en espacios cerrados o en una zona con poca ventilación. El escape del motor contiene monóxido de carbono, un gas inodoro y letal.
6. No utilice la máquina bajo la influencia del alcohol o las drogas.
7. El silenciador y el motor se calientan y pueden causar quemaduras. No los toque. Mantenga a los niños alejados.
8. Sea sumamente precavido cuando opere la máquina sobre una superficie con grava o cuando la cruce. Manténgase alerta por si se presentan peligros ocultos o tránsito.
9. Tenga cuidado cuando cambie de dirección o cuando opere la máquina en pendientes.
10. Planifique el patrón en el que va a ir arrojando nieve para evitar que la descarga de material se produzca hacia las ventanas, las paredes, los automóviles, etc. y evitar así posibles daños materiales o lesiones producidas por los rebotes.
11. Nunca dirija la descarga hacia los niños, los observadores o las mascotas ni deje que nadie se pare delante de la máquina.
12. No sobrecargue la capacidad de la máquina tratando de sacar la nieve muy rápidamente.
13. Nunca opere esta máquina sin buena visibilidad o iluminación. Siempre debe estar seguro de que está bien afirmado y sujetando firmemente las manijas. Camine, nunca corra.
14. Corte la corriente a la barrena / impulsor cuando transporte la máquina o cuando la misma no está en uso.
15. Nunca opere la máquina a alta velocidad de desplazamiento sobre superficies resbaladizas. Mire hacia abajo y hacia atrás y tenga cuidado cuando vaya marcha atrás.
16. Si la máquina comenzara a vibrar de manera anormal, detenga el motor, desconecte el cable de la bujía y póngala de manera que haga masa contra el motor. Inspeccione la máquina minuciosamente para ver si está dañada. Repare todos los daños antes de encender y operar la máquina.
17. Desengrane todas las palancas de control y detenga el motor antes de dejar la posición de operación (detrás de las manijas). Espere a que la barrena / impulsor se detenga por completo antes de destapar el montaje del canal o realizar ajustes e inspecciones.
18. Nunca ponga las manos en las aberturas de descarga o de recolección. Utilice siempre la herramienta de limpieza que se adjunta para destapar la abertura de descarga. No destape el montaje del canal mientras el motor está en funcionamiento. Antes de destaparlo, apague el motor y permanezca detrás de las manijas hasta que todas las partes móviles se hayan detenido.
19. Use sólo uniones y accesorios aprobados por el fabricante (por ejemplo, pesas para las ruedas, cadenas para los neumáticos, cabinas, etc.).
20. Para encender el motor, jale de la cuerda lentamente hasta que sienta resistencia, luego jale rápidamente. El repliegue rápido de la cuerda de arranque (tensión de retroceso) le jalará la mano y el brazo hacia el motor más rápido de lo que usted puede soltar. El resultado pueden ser huesos rotos, fracturas, hematomas o esguinces.
21. Si se presentan situaciones que no están previstas en este manual, sea cuidadoso y use el sentido común. Póngase en contacto con Asistencia al Cliente para solicitar ayuda y el nombre del distribuidor de servicio más cercano.

## Mantenimiento y Almacenamiento

1. Nunca altere los dispositivos de seguridad. Controle periódicamente que funcionen correctamente. Remítase a las secciones de mantenimiento y ajuste de este manual.
2. Antes de realizar la limpieza, reparar o revisar la máquina, desengrane todas las palancas de control y detenga el motor. Espere a que la barrena / impulsor se detenga por completo. Desconecte el cable de la bujía y póngalo haciendo masa contra el motor para evitar que se encienda accidentalmente.
3. Controle frecuentemente que todos los pernos y tornillos estén bien ajustados para comprobar que la máquina se encuentra en condiciones seguras de funcionamiento. Además, haga una inspección visual de la máquina para verificar si está dañada.
4. No cambie la configuración del regulador del motor ni acelere demasiado el mismo. El regulador del motor controla la velocidad máxima segura de funcionamiento del motor.
5. Las placas de raspado y las zapatas antideslizantes que se usan con la máquina quitanieve se desgastan y se dañan. Para proteger su seguridad, verifique frecuentemente todos los componentes y reemplácelos sólo con partes de los fabricantes de equipos originales (OEM). "¡El uso de piezas que no cumplen con las especificaciones del equipo original puede resultar en rendimiento inadecuado además de poner en riesgo la seguridad!"
6. Revise las palancas de control periódicamente para verificar que engranen y desengranen adecuadamente y ajústelos si es necesario. Consulte la sección de ajustes de este manual del operador para obtener instrucciones.
7. Mantenga o reemplace las etiquetas de seguridad e instrucciones según sea necesario.
8. Respete las normas referentes a la disposición correcta y las reglamentaciones sobre gasolina, aceite, etc. para proteger el medio ambiente.
9. Antes de almacenar la máquina enciéndala unos minutos para sacar la nieve que haya quedado en la misma y para evitar así que se congele la barrena / impulsor.
10. Nunca almacene la máquina o el recipiente de combustible en un espacio cerrado donde haya fuego, chispas o luz piloto como por ejemplo, calentadores de agua, hornos, secadores de ropa, etc.
11. Consulte siempre el manual del operador para obtener instrucciones adecuadas para el almacenamiento fuera de temporada.
12. Verifique frecuentemente la línea de combustible, el tanque, el tapón, y los accesorios buscando rajaduras o pérdidas. Reemplace de ser necesario.
13. No dé arranque al motor si no está la bujía de encendido.

## No modifique el motor

Para evitar lesiones graves o la muerte, no modifique el motor bajo ninguna circunstancia. Si cambia la configuración del regulador el motor puede descontrolarse y operar a velocidades inseguras. Nunca cambie la configuración de fábrica del regulador del motor.

## Aviso referido a emisiones

Los motores que están certificados y cumplen con las regulaciones de emisiones federales EPA y de California para SORE (Equipos pequeños todo terreno) están certificados para operar con gasolina común sin plomo y pueden incluir los siguientes sistemas de control de emisiones: Modificación de motor (EM) y catalizador de tres vías (TWC) si están equipados de esa manera.

## Guardachispas



**ADVERTENCIA:ESTA** máquina está equipada con un motor de combustión interna y no debe ser utilizada en o cerca de un terreno agreste cubierto por bosque, malezas o hierba excepto si el sistema de escape del motor está equipado con un amortiguador de chispas que cumpla con las leyes locales o estatales correspondientes, en caso de haberlas.

Si se utiliza un amortiguador de chispas el operador lo debe mantener en condiciones de uso adecuadas. En el Estado de California las medidas anteriormente mencionadas son exigidas por ley (Artículo 4442 del Código de Recursos Públicos de California). Es posible que existan leyes similares en otros estados. Las leyes federales se aplican en territorios federales.

Puede conseguir el amortiguador de chispas para el silenciador a través de su distribuidor autorizado de motores o poniéndose en contacto con el departamento de servicios, P.O. Box 361131 Cleveland, Ohio 44136-0019.

## Vida útil media

Según la Comisión de Seguridad de Productos para el Consumidor de los Estados Unidos (CPSC) y la Agencia de Protección Ambiental de los Estados Unidos (EPA), este producto tiene una *vida útil media* de siete (7) años, ó 60 horas de funcionamiento. Al finalizar la *vida útil media*, adquiera una máquina nueva o haga inspeccionar anualmente ésta por un distribuidor de servicio autorizado para cerciorarse de que todos los sistemas mecánicos y de seguridad funcionan correctamente y no tienen excesivo desgaste. Si no lo hace, pueden producirse accidentes, lesiones o muerte.



**ADVERTENCIA:** Su responsabilidad—Restrinja el uso de esta máquina motorizada a las personas que lean, comprendan y respeten las advertencias e instrucciones que figuran en este manual y en la máquina.

**GUARDE ESTAS INSTRUCCIONES**

## Contenido de la caja

- Dos llaves de encendido
- Una botella de 2.6 oz. aceite de dos ciclos
- Un prolongador
- Un Manual del operador de la máquina quitanieve
- Un Manual de operación Tecumseh para motores

**NOTA:** Este manual de operación cubre distintos modelos. Las características técnicas de la máquina quitanieve pueden variar según los modelos. No todas las características de este manual son aplicables a todos los modelos de máquinas quitanieve.

## Montaje

### Colocación de la manija superior

1. Gire la manija superior hasta la posición de operación, como se ilustra en la Fig. 3-1 hasta que quede en su lugar, cuidando de no pellizcar el cable en el proceso.

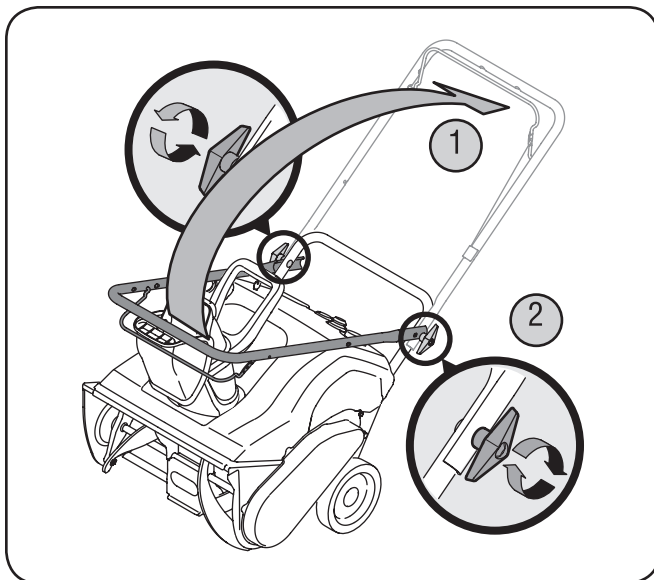


Figura 3-1

2. Apriete las perillas a mariposa para ajustar la manija en su lugar como en la Fig. 3-1.

### Montaje del canal de descarga

Por razones de envío, la máquina quitanieve ha sido embalada con el canal superior girado completamente hacia abajo. Para girarlo hacia arriba proceda de la siguiente manera:

1. Saque la perilla a mariposa, la arandela plana y el bulón del carro del canal inferior. Vea la Fig. 3-2.

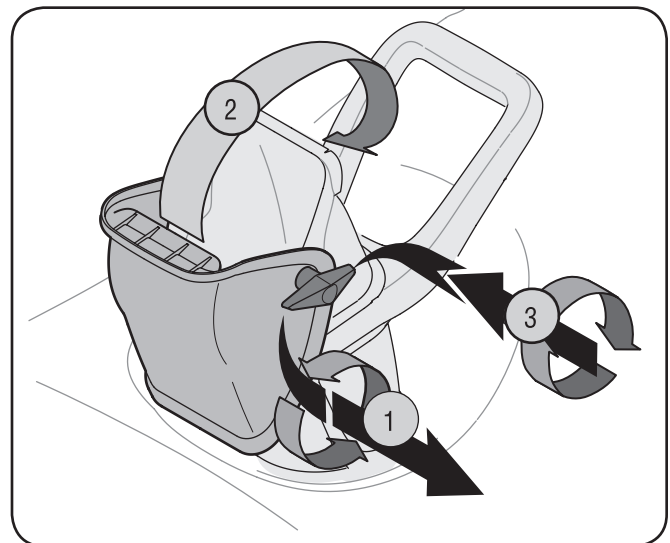


Figura 3-2

2. Gire el canal superior hacia arriba sobre el borde del canal inferior de manera que NO quede ningún espacio entre el canal superior y el inferior.
3. Asegúrelo con los herrajes que acaba de quitar. Vea la Fig. 3-3.

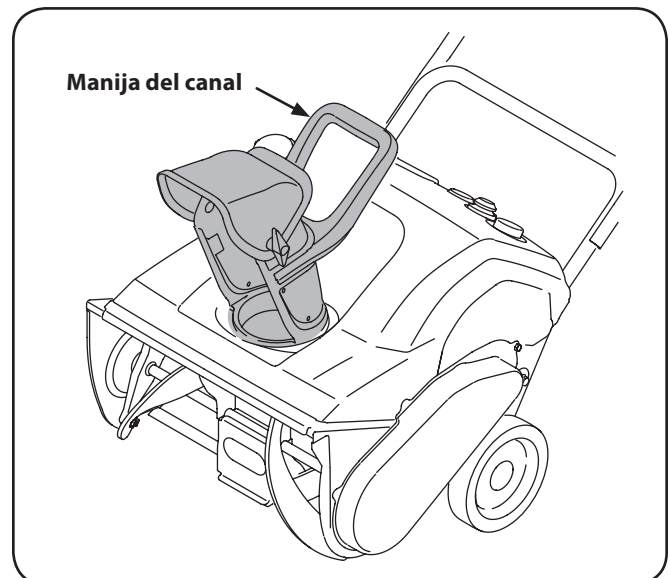


Figura 3-3

## Mezcla de combustible y aceite

La máquina quitanieve está equipada con un motor de dos ciclos que necesita una mezcla de gasolina y de aceite de dos ciclos en una proporción de 50:1. Consulte el manual de operación del motor para conocer las instrucciones completas en lo referente a la mezcla del aceite y la gasolina para el motor de la máquina quitanieve.

## Llenado de gasolina y aceite



**¡ADVERTENCIA!** Tenga mucho cuidado al trabajar con gasolina. La gasolina es sumamente inflamable y sus vapores pueden causar explosiones. Nunca agregue combustible a la máquina en interiores ni mientras el motor está caliente o en funcionamiento. Apague cigarrillos, cigarros, pipas y otras fuentes de combustión.

Cargue el motor con gasolina y aceite como se indica en el manual de operación Tecumseh para motores que viene embalado por separado con su máquina quitanieve. Lea las instrucciones con atención.

**NOTA:** Un relleno plástico se pudo haber colocado en el depósito de gasolina para evitar que la suciedad y la ruina entren en el tanque durante la asamblea. Quitar este relleno antes de procurar llenar del combustible.

## Ajustes

### Montaje del canal

La inclinación del montaje del canal controla el ángulo con el que se arroja la nieve.

1. Afloje la perilla a mariposa que se encuentra del lado izquierdo del montaje del canal y gire el canal superior hacia arriba o hacia abajo hasta alcanzar la inclinación deseada. Vuelva a ajustar la perilla a mariposa antes de poner la máquina quitanieve en funcionamiento.
2. Posicione la abertura del montaje del canal con la manija del canal para arrojar la nieve en la dirección deseada. Vea la Fig. 3-4.

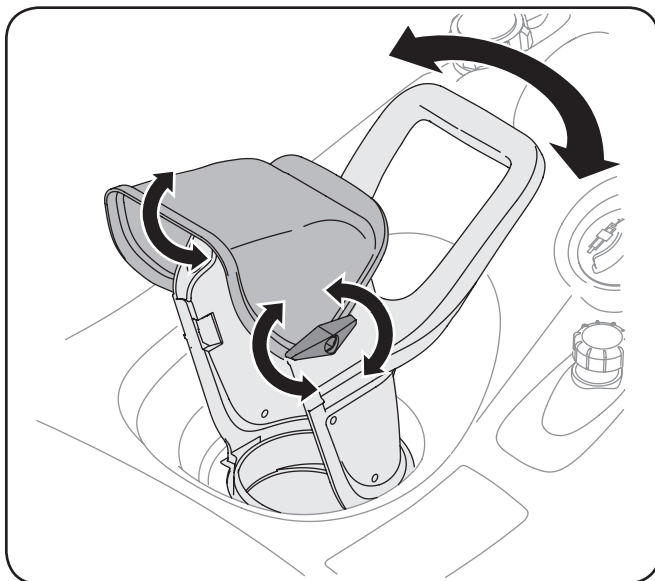


Figura 3-4

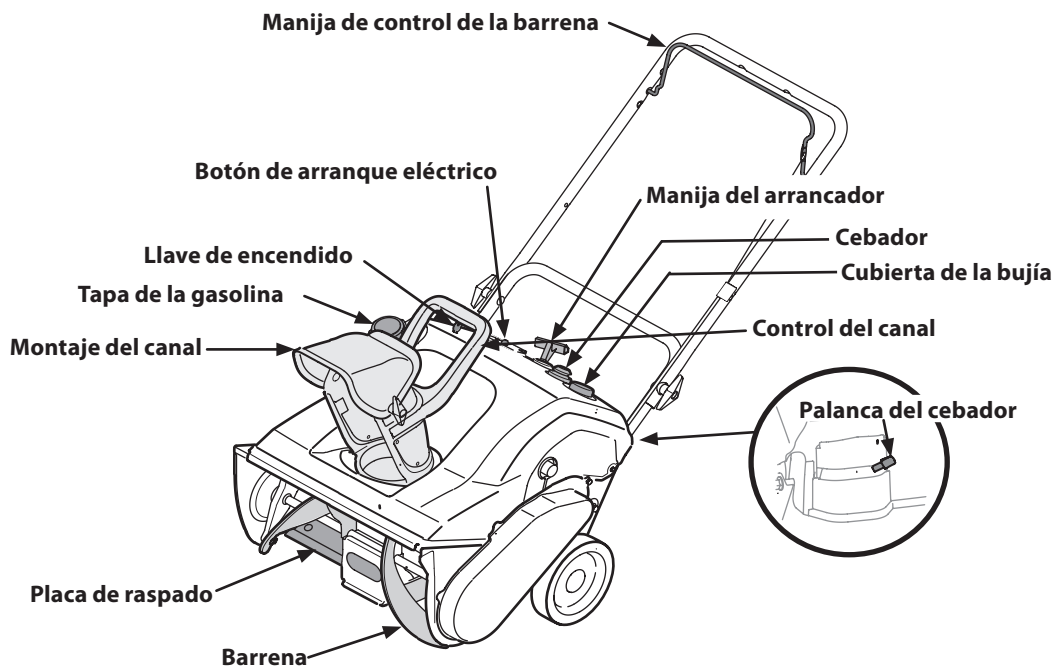


Figura 4-1

## Palanca del cebador



Al activar el control del cebador se cierra la placa del cebador del carburador y se ayuda a encender el motor. Para obtener instrucciones más detalladas, consulte el manual del motor que se entregó con la unidad.

## Cebador

Al presionar el cebador se envía combustible directamente al carburador del motor para facilitar el arranque cuando hace frío. Para obtener instrucciones más detalladas, consulte el manual del motor que se entregó con la unidad.



## Llave de encendido

La llave de encendido debe estar presente y en la posición "ON" (encendido) para que el motor arranque.



## Manija del arrancador

La manija del arrancador se utiliza para arrancar el motor manualmente.

## Botón del arrancador eléctrico

Si oprime el botón del arrancador eléctrico se engrana el arrancador eléctrico del motor cuando se lo enchufa a una fuente de energía de 120V.

## Salida del arrancador eléctrico

Es necesario usar un cable prolongador para exteriores de dos espigas y una fuente de energía / tomacorriente de pared de 120V.

## Cubierta de la bujía

Saque la cubierta de la bujía para acceder a la bujía.

## Barrena

Cuando está engranada, la rotación de la barrena dirige la nieve dentro de la caja de la barrena y la arroja hacia afuera por el canal de descarga. Las paletas de caucho de las barrenas también ayudan a impulsar la unidad al ponerse en contacto con el pavimento.



## **Manija de control de la barrena**

La manija de control de la barrena está ubicada en la manija superior y se usa para engranar y desengranar la transmisión de la barrena. Apriete la manija de control contra la manija superior para engranar la barrena, aflójela para desengranarla.

## **Montaje del canal**

Haga rotar el montaje del canal hacia izquierda o derecha usando la manija del canal. La inclinación del montaje del canal controla el ángulo con el que se arroja la nieve. Afloje la perilla a mariposa que se encuentra en el costado del montaje del canal antes de girarlo hacia arriba o hacia abajo. Vuelva a ajustar la perilla después de alcanzar la posición deseada.

## **Placa de raspado**

La placa de raspado hace contacto con el pavimento a medida que se impulsa la máquina quitanieve, permitiendo que se descargue la nieve que está cerca de la superficie del pavimento.

## **Tapa de la gasolina**

Saque la tapa de la gasolina para agregar combustible.

## Antes de encender



**¡ADVERTENCIA!** Lea, comprenda y siga todas las instrucciones y advertencias que aparecen en la máquina y en este manual antes de operarla.

**NOTA:** Para ver instrucciones completas y detalladas sobre el encendido y apagado del motor y el almacenaje, le sugerimos que lea el manual del motor que también se incluye con esta máquina.

1. El cable de la bujía fue desconectado por seguridad. Enchufe el cable de la bujía a la bujía antes de encender la máquina.

## Encendido del motor

1. Para evitar el envenenamiento por monóxido de carbono, asegúrese de que el motor esté al aire libre en un área bien ventilada.
2. Inserte la llave de encendido en la ranura. Gire la llave a la posición ON (encendido).
3. Ahora siga las instrucciones que aparecen debajo según corresponda a su máquina.

## Arrancador eléctrico



**¡ADVERTENCIA!** El arrancador eléctrico debe ser utilizado con un receptáculo de dos terminales correctamente conectado a tierra en todo momento para evitar la posibilidad de descargas eléctricas. Siga todas las instrucciones cuidadosamente antes de operar el arrancador eléctrico.

1. El arrancador eléctrico está equipado con un cable de alimentación y un enchufe de tres terminales conectados a tierra y está diseñado para operar con corriente doméstica de 110 voltios.
2. Ponga el control del cebador en la posición "Full".
3. Presione tres (3) veces el botón del cebador, asegurándose de cubrir el orificio de ventilación cuando empuja.
4. Conecte el cable de alimentación a la caja del interruptor en el tablero de instrumentos. Enchufe el otro extremo del cable de alimentación en un receptáculo de CA y 120 voltios con tres terminales conectados a tierra.
5. Presione el botón del arrancador para arrancar el motor con la manivela.
6. Cuando el motor arranca, suelte el botón arrancador y mueva el cebador gradualmente a la posición ½ hasta que el motor funcione uniformemente. Ponga la palanca del cebador en la posición OFF (apagado). Si el motor falla, mueva el cebador inmediatamente a la posición FULL y luego gradualmente a ½ y luego a OFF.
7. Desconecte el cable de alimentación. Siempre desconecte primero del enchufe, y luego de la máquina quitanieve.

## Arrancador de retroceso

1. Mueva la palanca del cebador a la posición FULL (encendido con el motor en frío).
2. Si el motor está caliente, ubique el cebador en la posición OFF en lugar de FULL.
3. Presione tres (3) veces el botón del cebador, asegurándose de cubrir el orificio de ventilación cuando presiona.
4. Si el motor está caliente, presione el botón del cebador una sola vez.

**NOTA:** Siempre cubra el orificio de ventilación en el botón del cebador cuando lo presiona. Tal vez deba cebar la máquina más para el arranque inicial si la temperatura es menor a 15 grados Fahrenheit.

5. Tome la manija del arrancador y tire de la soga lentamente hasta que quede un poco más tirante. Deje que la soga se enrolle lentamente.
6. Tire de la manija del arrancador rápidamente. No permita que la manija tiree. Permita que se enrolle lentamente mientras sujeta firmemente la manija del arrancador.
1. Mientras el motor se calienta y comienza a funcionar uniformemente, gire la palanca del cebador lentamente hacia la posición ½. Cuando el motor comienza a funcionar regularmente, mueva el cebador a la posición OFF. Si el motor falla, vuelva a la posición FULL, luego mueva lentamente a ½ luego a la posición OFF.

## Detención del motor

1. Deje el motor encendido durante algunos minutos antes de detenerlo para ayudar a secar toda la humedad del motor.
2. Para detener el motor, gire la llave de encendido en sentido contrario a las agujas del reloj hasta la posición OFF/STOP.
3. Retire la llave de encendido y guárdela en un lugar seguro.
4. Limpie toda la nieve y la humedad del área alrededor del motor.



**¡ADVERTENCIA!** El silenciador, el motor y las zonas que los rodean se calientan y pueden causar quemaduras. No los toque.

## Procedimiento para engranar las barrenas

1. Para engranar las barrenas y comenzar a quitar la nieve, apriete el control de la barrena contra la manija superior. Suelte para detener las barrenas.

**NOTA:** En lo posible, descargue la nieve en la dirección del viento. Recubra ligeramente cada trayecto previamente despejado.

## Procedimiento para engranar la transmisión

1. Si eleva la manija, la goma de la barrena impulsará la máquina quitanieve hacia adelante. Si presiona la manija hacia abajo, elevará la barrena del suelo y detendrá el avance la máquina.

**NOTA:** Demasiada presión hacia arriba sobre la manija hará que la barrena de caucho se desgaste prematuramente.

## Ajustes

### Motor

Consulte el manual de operación Tecumseh para motores embalado con la máquina para ver el mantenimiento del motor.



**¡ADVERTENCIA!** Antes de realizar tareas de mantenimiento, reparación o inspección en la máquina quitanieve, desengrane el control de la barrena. Apague el motor y retire la llave para evitar el encendido accidental del motor.

### Placa de raspado

1. Para verificar el ajuste de la placa de raspado, ubique la unidad sobre una superficie nivelada. Tanto las ruedas como la placa de raspado y las barrenas deben hacer contacto con la superficie nivelada. Observe que si la placa de raspado está demasiado alta la nieve puede volar debajo de la caja. Si la placa de raspado se desgasta excesivamente, o la unidad no se autopropulsa, es posible que la placa de raspado esté demasiado baja y deba ser ajustada.

**NOTA:** En las unidades nuevas o en las que tienen una placa de raspado nueva las barrenas pueden estar un poco separadas del suelo.

2. Para ajustarlas, incline la máquina quitanieve hacia atrás hasta que quede apoyada sobre la manija. Afloje las cuatro tuercas y pernos de seguridad que fijan la placa de raspado a la caja. Vea la Fig. 6-1. Mueva la placa de raspado hacia la posición deseada y vuelva a apretar las tuercas y los pernos bien ajustados.

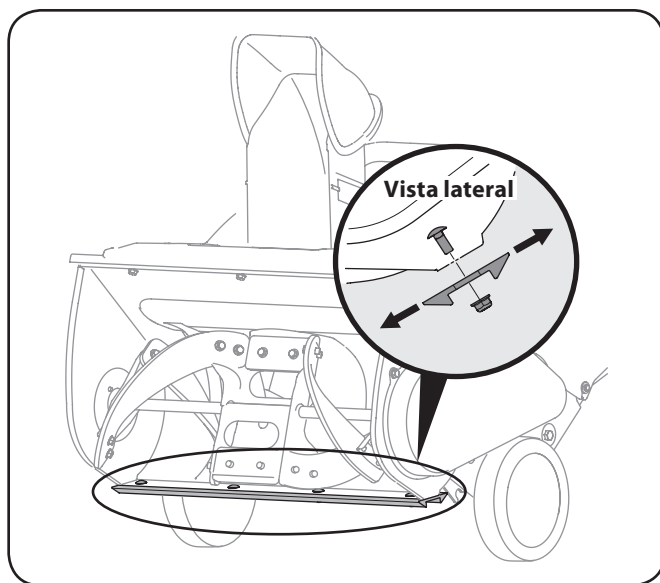


Figura 6-1

### Cable de control

Es posible que necesite realizar ajustes periódicos debido al estiramiento del cable de control y de la correa de transmisión ocasionados por el desgaste.

Si la barrena parece titubear mientras gira, haga lo siguiente:

El agujero superior de la manija de control tiene en cuenta el ajuste de la tensión del cable. Para realizar el ajuste, desconecte el extremo del cable de control del agujero inferior de la manija de control e insértelo en el agujero superior como se muestra en la Fig. 6-2. Pruebe la máquina quitanieve para ver si se logra una diferencia apreciable.

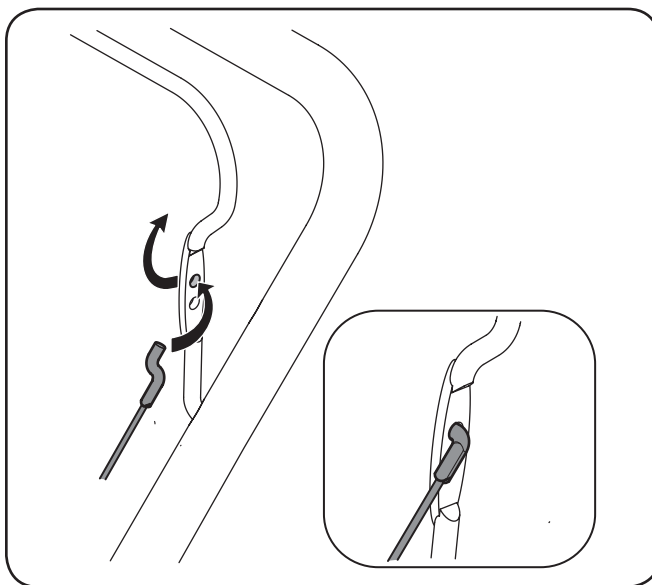


Figura 6-2

### Montaje del canal

Consulte la sección Montaje y Configuración para ver las instrucciones de ajuste del montaje del canal.

## Mantenimiento

### Lubricación

Lubrique los puntos de giro de la manija de control y del resorte de extensión del extremo del cable de control con un aceite liviano una vez por temporada y antes de almacenar la máquina quitanieve al final de la temporada.

### Almacenamiento fuera de temporada

Si no se va a usar la máquina quitanieve durante 30 días o más, siga las siguientes instrucciones de almacenamiento.

1. Almacene el equipo en un área despejada y seca.
2. Si almacena la máquina en un lugar mal ventilado, debe realizarle un tratamiento antioxidante cubriéndola con un aceite ligero o silicona, especialmente cualquier
3. Limpie el exterior del motor y de la máquina quitanieve.

## Reemplazo de las correas

1. Quite la cubierta de la correa extrayendo los cinco tornillos hexagonales que la aseguran. Vea la Fig. 7-1.
2. Retire la correa sujetándola por la base de la polea de la barrena y tire hacia afuera.

**NOTA:** Tire hacia abajo la polea loca para soltar la correa de debajo del guardacorrea. Vea la Fig. 7-1.

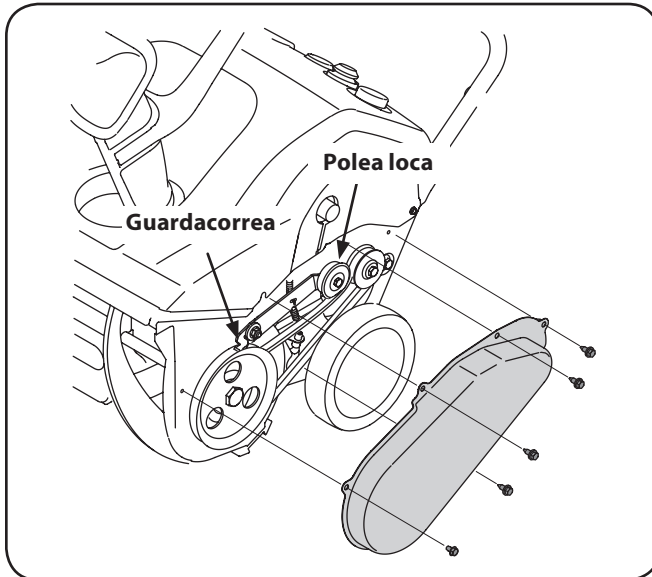


Figura 7-1

Para instalar la correa de reemplazo, proceda de la siguiente manera: Vea la Fig. 7-2:

1. Tire hacia abajo la polea loca.
2. Ubique la correa encima de la polea de la barrena, debajo del guardacorrea.
3. Coloque la correa alrededor de la polea del motor.
4. Empuje la correa por encima de la base de la polea de la barrena.
5. Vuelva a instalar la cubierta de la correa que sacó anteriormente.

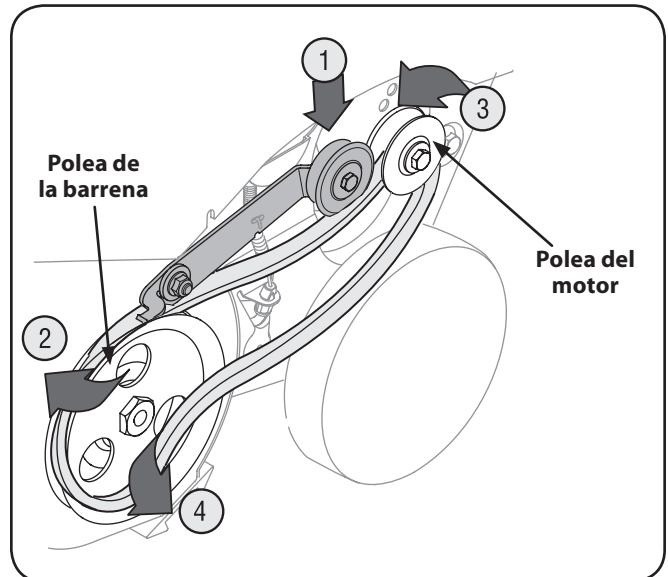


Figura 7-2

## Reemplazo de las paletas de la barrena

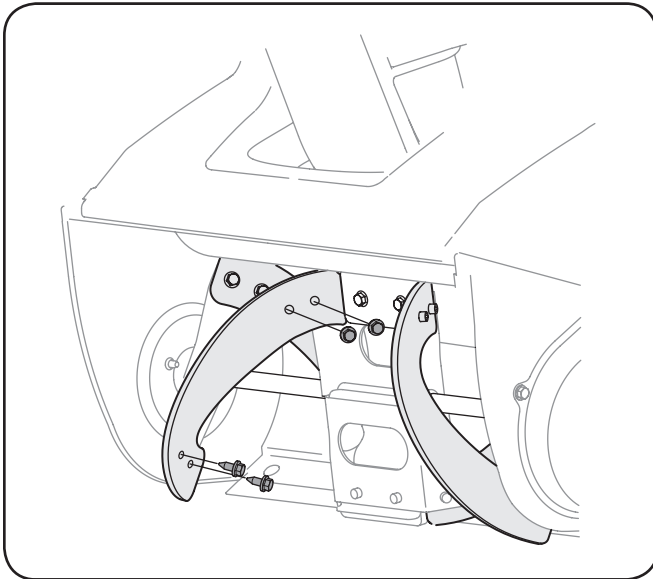
Las paletas de caucho de la barrena de la máquina quitanieve se desgastan y se las debe cambiar si se presentan signos de desgaste excesivo.



**PRECAUCIÓN:** NO permita que las paletas de caucho de la barrena se desgasten hasta el punto en que partes de la barrena metálica misma toquen el pavimento. Si esto sucede la máquina quitanieve puede dañarse seriamente.

Para cambiar las paletas de caucho proceda de la siguiente manera:

1. Saque las paletas de caucho ya existentes para lo cual desenrosque los tornillos autorroscantes que las unen a la barrena. Vea la Fig. 7-3.



**Figura 7-3**

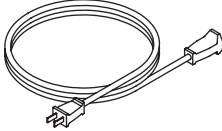
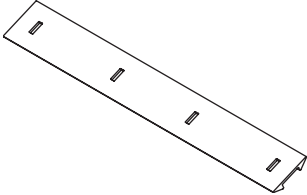
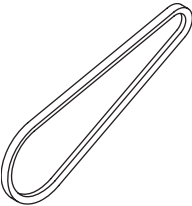
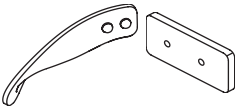

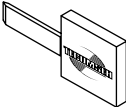

2. Ajuste las nuevas paletas de caucho a la barrena usando los herrajes que sacó anteriormente.

## Reemplazo de la placa de raspado

La placa de raspado está adosada al fondo de la barrena y sujeta a desgaste. Se la debe controlar periódicamente. La placa de raspado tiene dos bordes de desgaste y se la puede invertir.

1. Quite los cuatro pernos del carro y las tuercas de seguridad hexagonales que la sujetan a la caja de la máquina quitanieve.
2. Instale una nueva placa de raspado, asegurándose de que las cabezas de los pernos del carro queden en el interior de la caja.
3. Coloque la placa de raspado como se indica en la página 11.
4. Vea la Fig. 6-1. Una vez colocada, ajuste bien.

Problema	Causa	Solución
El motor no arranca	<ol style="list-style-type: none"> <li>1. El depósito de combustible está vacío o el combustible se ha echado a perder.</li> <li>2. Mezcla de combustible equivocada.</li> <li>3. La línea del combustible está bloqueada.</li> <li>4. La llave no está en posición ON.</li> <li>5. Se ha desconectado el cable de la bujía.</li> <li>6. La bujía no funciona correctamente.</li> <li>7. El motor no está cebado.</li> <li>8. El motor está ahogado ya que ha sido demasiado cebado.</li> </ol>	<ol style="list-style-type: none"> <li>1. Llene el tanque con gasolina limpia.</li> <li>2. Mezcle combustible nuevo en una proporción de 50:1.</li> <li>3. Limpie la línea del combustible.</li> <li>4. Inserte la llave y póngala en la posición ON (encendido).</li> <li>5. Conecte el cable a la bujía.</li> <li>6. Limpie la bujía, ajuste la distancia disruptiva o cambie la bujía.</li> <li>7. Ceebe el motor cuatro veces.</li> <li>8. Espere al menos diez minutos antes de encender el motor.</li> </ol>
El motor funciona de manera errática	<ol style="list-style-type: none"> <li>1. La unidad está funcionando con el cebador.</li> <li>2. La línea del combustible está tapada o el combustible es viejo.</li> <li>3. Agua o suciedad en el sistema del combustible.</li> <li>4. Es necesario regular el carburador.</li> </ol>	<ol style="list-style-type: none"> <li>1. Mueva la palanca del cebador a la posición OFF (apagado).</li> <li>2. Limpie la línea del combustible y llene el tanque con gasolina limpia y fresca.</li> <li>3. Remítase al manual del motor para solucionar el problema.</li> <li>4. Remítase al manual del motor para solucionar el problema.</li> </ol>
El motor recalienta	<ol style="list-style-type: none"> <li>1. Es necesario regular el carburador.</li> </ol>	<ol style="list-style-type: none"> <li>1. Remítase al manual del motor para obtener instrucciones.</li> </ol>
Pérdida de potencia	<ol style="list-style-type: none"> <li>1. El cable de la bujía está flojo.</li> <li>2. La ventilación en la tapa del combustible está obstruida.</li> </ol>	<ol style="list-style-type: none"> <li>1. Conecte firmemente el cable de la bujía.</li> <li>2. Destape la ventilación.</li> </ol>
Demasiada vibración	<ol style="list-style-type: none"> <li>1. Hay piezas que están flojas o la barrena está dañada.</li> </ol>	<ol style="list-style-type: none"> <li>1. Detenga el motor de inmediato y desconecte el cable de la bujía. Controle si la máquina está dañada. Ajuste todos los pernos y las tuercas. Realice las reparaciones necesarias. Si el problema continúa, lleve la unidad a un distribuidor autorizado.</li> </ol>
La unidad no se autopropulsa	<ol style="list-style-type: none"> <li>1. El cable de transmisión está flojo.</li> <li>2. La correa de transmisión está floja o dañada.</li> </ol>	<ol style="list-style-type: none"> <li>1. Ajuste el cable de control de la barrena tal y como se muestra en la sección de Mantenimiento y Ajustes.</li> <li>2. Reemplace la correa de transmisión.</li> </ol>
Las barrenas siguen girando	<ol style="list-style-type: none"> <li>1. Es necesario ajustar el cable.</li> </ol>	<ol style="list-style-type: none"> <li>1. Ajuste el cable de control de la barrena tal y como se muestra en la sección de Mantenimiento y Ajustes.</li> </ol>
La unidad no descarga la nieve	<ol style="list-style-type: none"> <li>1. El montaje del canal está tapado.</li> <li>2. El pasador de cuchilla se quebró.</li> <li>3. Hay un objeto extraño en la barrena.</li> <li>4. El cable del control de la barrena necesita un ajuste.</li> <li>5. La correa de la barrena está floja o dañada.</li> </ol>	<ol style="list-style-type: none"> <li>1. Detenga el motor y desconecte el cable de la bujía. Limpie el canal y el interior de la caja de la barrena con la herramienta de limpieza o una varilla.</li> <li>2. Reemplace el pasador de cuchilla.</li> <li>3. Detenga el motor de inmediato y desconecte el cable de la bujía. Retire el objeto de la barrena.</li> <li>4. Ajuste el cable del control de la barrena.</li> <li>5. Reemplace la correa de la barrena.</li> </ol>

Componente	Número de pieza y Descripción
	929-0071      Prolongador, 110V
	731-1033      Placa de raspado
	954-0101A      Correa de transmisión de la barrena
	735-04033      Paleta de caucho 735-04032      Espiral-luniforme de caucho
	925-0201      Llaves (juego de dos)
	TC-35062      Arrancador de llave
	746-04237      Embrague a cable

Llame por teléfono al (800) 828-5500 para solicitar piezas de reemplazo o un Manual de Piezas de Repuesto completo (tenga el número de modelo y número de serie de su máquina a mano). También puede descargar el Manual de Piezas de Repuesto sin cargo en [www.mtdproducts.com](http://www.mtdproducts.com).

# GARANTÍA LIMITADA DEL FABRICANTE PARA



La siguiente garantía limitada es otorgada por MTD LLC con respecto a nuevos productos adquiridos y utilizados en Estados Unidos y/o sus territorios y posesiones, y por MTD Products Limited con respecto a nuevos productos adquiridos y utilizados en Canadá y/o sus territorios y posesiones (cualquiera de las dos entidades, respectivamente, "MTD").

"MTD" garantiza este producto (excluidas las *Piezas y Accesorios con Desgaste Normal* según se describe más abajo) contra defectos en los materiales y mano de obra por un período de dos (2) años a partir de la fecha de compra original y, a su opción, reparará o reemplazará, sin costo alguno, cualquier pieza que presente defectos en los materiales o de mano de obra. Esta garantía limitada sólo se aplicará si el producto ha sido operado y mantenido de acuerdo con las instrucciones del Manual del Operador que se proporciona con el producto y no ha sido sujeto a uso inapropiado, abuso, uso comercial, abandono, accidente, mantenimiento incorrecto, alteración, vandalismo, robo, incendio, inundación o algún daño debido a otro peligro o desastre natural. El daño resultante por la instalación o el uso de piezas, accesorios o uniones no aprobados por MTD para su uso con el(los) producto(s) incluido(s) en este manual anulará la garantía en lo que respecta a esos daños.

Se garantiza que las *Piezas con Desgaste Normal* están libres de defectos en los materiales y mano de obra por un período de treinta (30) días a partir de la fecha de compra. Las piezas sujetas a desgaste normal incluyen pero no se limitan a: baterías, correas, cuchillas, adaptadores para cuchillas, dientes, bolsas para pasto, ruedas, ruedas para la plataforma de la máquina, asientos, zapatas antideslizantes, ruedas de fricción, placas de raspado, gomas helicoidales, aceite de motor, filtros de aire, bujías y neumáticos.

**Accesorios** — MTD garantiza que los accesorios de este producto están libres de defectos de material y mano de obra durante un período de un (1) año a partir de la fecha de compra o arrendamiento original del accesorio. Los accesorios incluyen, pero no se limitan a: colectores de césped y kits para abono.

**CÓMO SOLICITAR Y OBTENER SERVICIO TÉCNICO:** El servicio de la garantía está disponible, CON COMPROBANTE DE COMPRA, a través de su distribuidor de servicio autorizado local. Para localizar el distribuidor de su zona:

## **En Estados Unidos de América**

Consulte las páginas amarillas, o póngase en contacto con MTD LLC en P.O. Box 361131, Cleveland, Ohio 44136-0019, llame al 1-800-800-7310 o al 1-330-220.4683, o visite nuestro sitio web en [www.mtdproducts.com](http://www.mtdproducts.com).

## **En Canadá**

Contacte MTD Products Limited, Kitchener, ON N2G 4J1, llame al 1-800-668-1238 o visite nuestro sitio web en [www.mtdcanada.com](http://www.mtdcanada.com).

Esta garantía limitada **no** ofrece cobertura en los siguientes casos:

- Las bombas, válvulas y cilindros del rompetroncos tienen una garantía separada de un año.
- Los artículos necesarios para el mantenimiento de rutina como por ejemplo lubricantes, filtros, afiladores de cuchillas, sincronización del motor, los ajustes de los frenos, del embrague o de la plataforma y el deterioro normal del acabado exterior debido al uso o exposición.

- Mantenimiento no realizado por el distribuidor de servicio autorizado.
- MTD no extiende ninguna garantía para los productos vendidos o exportados fuera de los Estados Unidos de América y/o Canadá, y sus respectivas posesiones y territorios, excepto para aquellos vendidos a través de los canales autorizados de distribución de exportaciones de MTD.
- Piezas de reemplazo que no son piezas genuinas de MTD.
- Gastos de transporte y visitas técnicas.
- MTD no garantiza este producto para uso comercial.

**No se aplican garantías implícitas, incluidas las garantías implícitas de comerciabilidad o de adecuación para un propósito determinado, después del período de aplicación de la garantía escrita expresa extendida más arriba para las piezas de acuerdo con su identificación. Ninguna otra garantía expresa, oral o escrita, excepto la mencionada anteriormente, extendida por personas o personas jurídicas, incluidos los distribuidores o los minoristas con respecto a los productos, obligará a MTD. Durante el plazo de la garantía el único recurso es la reparación o reemplazo del producto como se indicó anteriormente.**

**Las disposiciones incluidas en esta garantía proveen el recurso único y exclusivo que surge de las ventas. MTD no será responsable por pérdidas o daños incidentales o directos, incluyendo sin límites, los gastos incurridos para los servicios de cuidado del pasto de reemplazo o cambio, o los gastos de alquiler para reemplazar de manera transitoria un producto bajo garantía.**

Algunos estados no permiten la exclusión o limitación de los daños y perjuicios incidentales o directos, o las limitaciones sobre la duración de las garantías implícitas, por lo que las exclusiones o limitaciones mencionadas anteriormente pueden no ser de aplicación.

En ningún caso se obtendrá una compensación mayor al monto del precio de compra del producto vendido. **La alteración de las características de seguridad del producto anulará esta garantía.** Usted asume el riesgo y la responsabilidad de las pérdidas, daños o lesiones que sufran usted y sus bienes y / u otras personas y sus bienes como resultado del uso incorrecto o de la falta de capacidad para usar este producto.

Esta garantía limitada alcanza solamente al comprador original, o a la persona que recibió el producto de regalo.

**CÓMO SE RELACIONA LA LEGISLACIÓN ESTATAL CON ESTA GARANTÍA:** Esta garantía limitada le otorga derechos legales específicos y usted también puede tener otros derechos que varían de un estado a otro.

**IMPORTANTE:** El propietario debe presentar el Comprobante de compra original para obtener la cobertura de la garantía.

**MTD LLC. P.O. BOX 361131 CLEVELAND, OHIO 44136-0019, Teléfono: 1-800-800-7310, 1-330-220-4683  
MTD Canada Limited - KITCHENER, ON N2G 4J1; teléfono 1-800-668-1238**



## Free Manuals Download Website

<http://myh66.com>

<http://usermanuals.us>

<http://www.somanuals.com>

<http://www.4manuals.cc>

<http://www.manual-lib.com>

<http://www.404manual.com>

<http://www.luxmanual.com>

<http://aubethermostatmanual.com>

Golf course search by state

<http://golfingnear.com>

Email search by domain

<http://emailbydomain.com>

Auto manuals search

<http://auto.somanuals.com>

TV manuals search

<http://tv.somanuals.com>