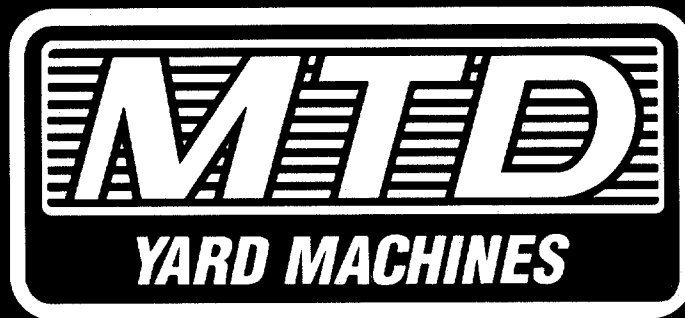


# ILLUSTRATED PARTS

AMERICAN  AMERICAN  
M A D E O W N E D  
OUTDOOR POWER EQUIPMENT



## 1995

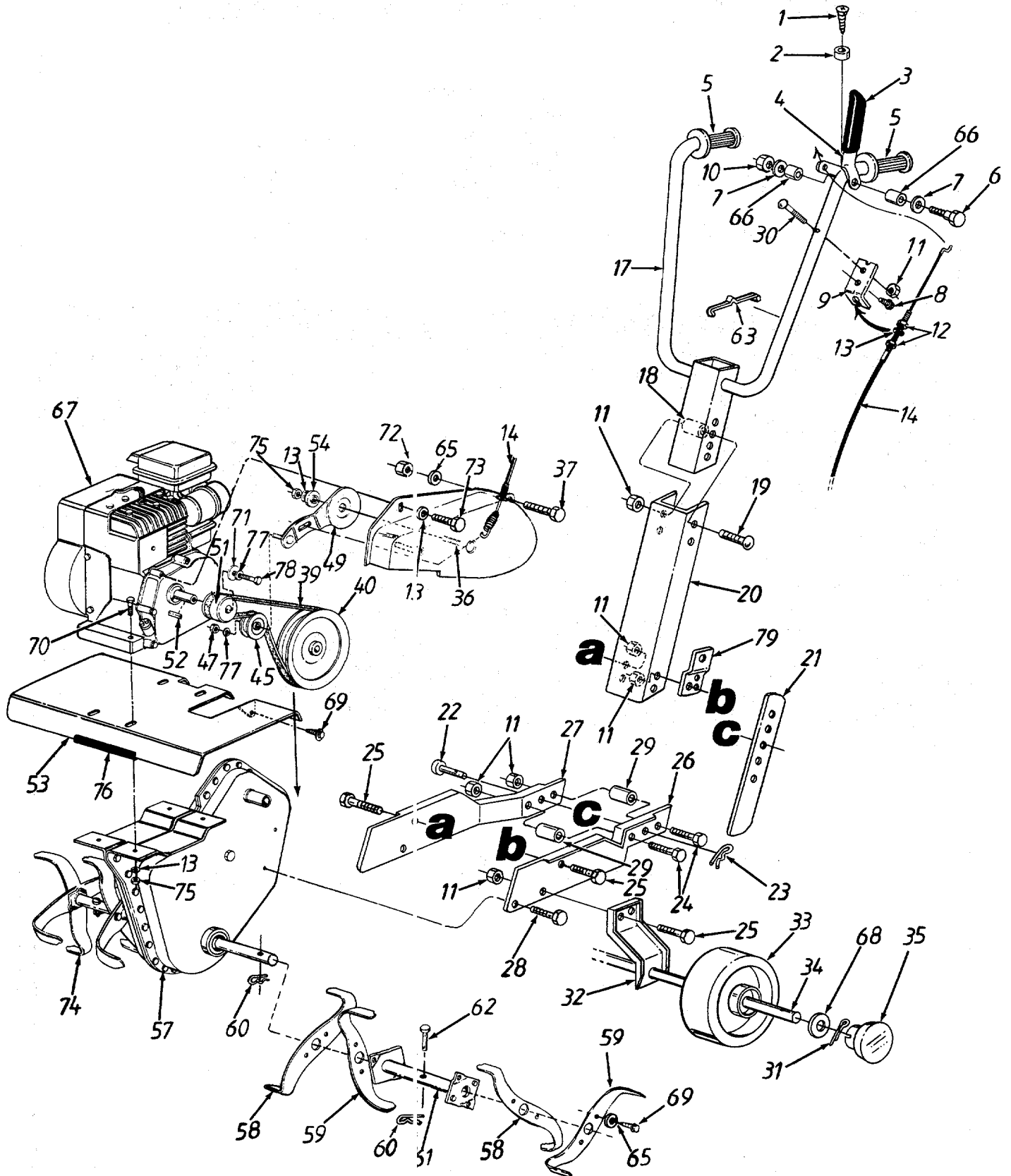
## FRONT TINE TILLERS

| Model Number     | Pages   |
|------------------|---------|
| 215-035-000..... | 2 - 4   |
| 215-340-000..... | 6 - 9   |
| 215-390-000..... | 10 - 13 |

MTD PRODUCTS INC • P.O. BOX 368022 • CLEVELAND, OHIO 44136-9722

FORM NO. 770-95-6A

# Model 035

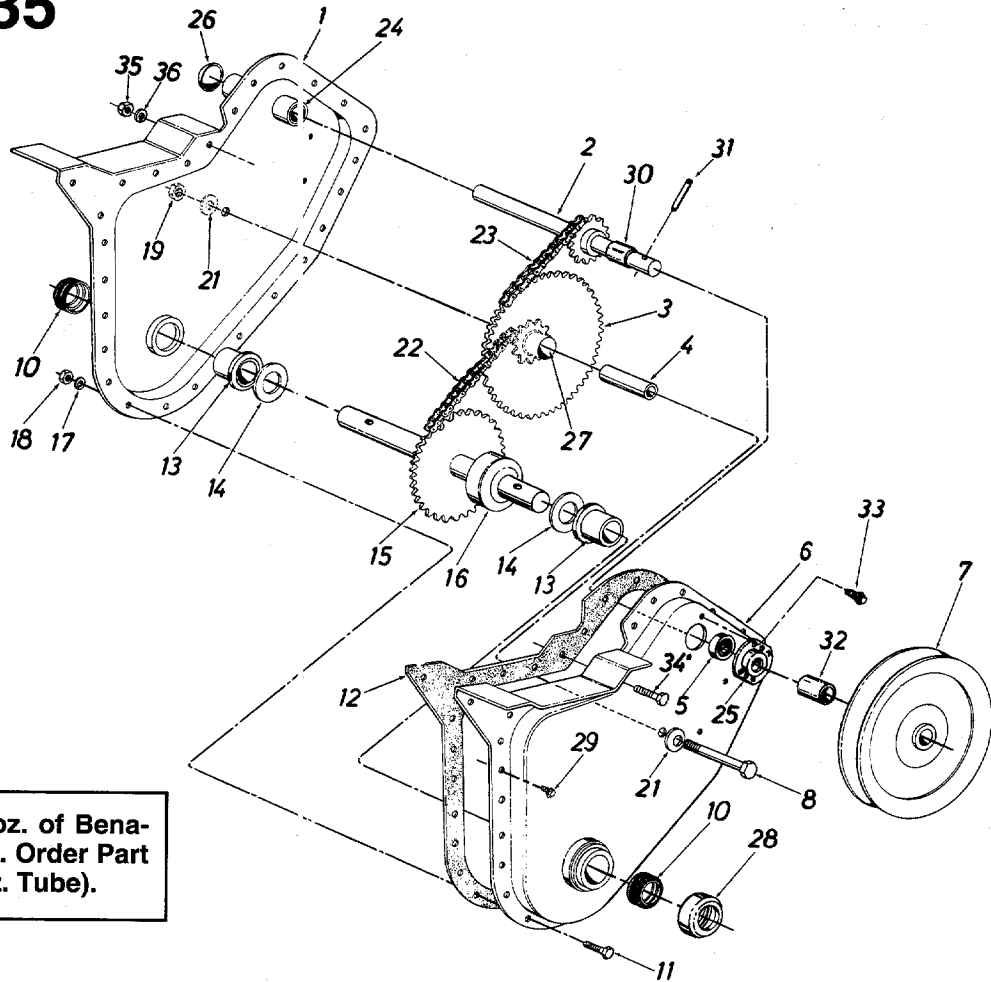


# Model 035

## PARTS LIST FOR MODEL 035 TILLER

| REF. NO. | PART NO. | CODE | DESCRIPTION                         | REF. NO. | PART NO.    | CODE | DESCRIPTION                    |
|----------|----------|------|-------------------------------------|----------|-------------|------|--------------------------------|
| 1        | 710-1167 |      | Tap Scr. #10-16 x 1/2" Lg.          | 36       | 686-0021    |      | Belt Cover                     |
| 2        | 720-0263 |      | Rubber Bumper                       | 37       | 710-0258    |      | Hex Bolt 1/4-20 x 5/8" Lg.*    |
| 3        | 731-0473 |      | Vinyl Grip                          | 39       | 754-0216    |      | V-Belt                         |
| 4        | 686-0002 |      | Clutch Lever Ass'y.                 | 40       | 756-0287    |      | Pulley—Chain Case              |
| 5        | 720-0233 |      | Handle Grip                         | 45       | 756-0199    |      | Flat Idler Pulley              |
| 6        | 710-0501 |      | Hex Bolt 1/4-20 x 2" Lg.*           | 47       | 712-0116    |      | Hex Jam L-Nut 3/8-24 Thd.      |
| 7        | 736-3090 |      | FI-Wash. 1/4" I.D.                  | 49       | 784-0016    |      | Idler Arm Ass'y.               |
| 8        | 710-1201 |      | Hex Tap Scr. 1/4-20 x 1/2" Lg.      | 51       | 756-0286    |      | Engine Pulley                  |
| 9        | 15093C   |      | Cable Bracket                       | 52       | 714-0122    |      | Square Key 3/16" x .75" Lg.    |
| 10       | 712-0324 |      | Lock Nut 1/4-20 Thd.                | 53       | 04765       |      | Tine Shield                    |
| 11       | 712-0429 |      | Lock Nut 5/16-18 Thd.               | 54       | 736-0289    |      | Washer—Bushing                 |
| 12       | 712-0256 |      | Hex Jam Nut 5/16-24 Thd.            | 57       | 686-0022    |      | Chain Case Ass'y. Comp.        |
| 13       | 736-0119 |      | L-Wash. 5/16" I.D.*                 | 58       | 04922       |      | R.H. Tine Blade                |
| 14       | 746-0509 |      | Clutch Control Cable                | 59       | 04923       |      | L.H. Tine Blade                |
| 17       | 649-0153 |      | Handle Ass'y.                       | 60       | 714-0149B   |      | Hairpin Cotter                 |
| 18       | 750-0848 |      | Spacer                              | 61       | 04918       |      | Adapter Ass'y.—Tine            |
| 19       | 710-0572 |      | Carr. Bolt 5/16-18 x 2-1/2" Lg.     | 62       | 711-0702    |      | Clevis Pin                     |
| 20       | 786-0013 |      | Handle Channel—Frame                | 63       | 726-0306    |      | Cable Tie—Plastic              |
| 21       | 04764    |      | Depth Stake                         | 65       | 736-0329    |      | L-Wash. 1/4" I.D.*             |
| 22       | 711-0653 |      | Clevis Pin                          | 66       | 750-0846    |      | Spacer                         |
| 23       | 714-0145 |      | Hairpin Cotter                      | 67       | —           |      | Engine                         |
| 24       | 710-0376 |      | Hex Bolt 5/16-18 x 1" Lg.*          | 68       | 736-0185    |      | FI-Wash. 3/8" I.D.             |
| 25       | 710-0759 |      | Hex Bolt 5/16-18 x 5/8" Lg.*        | 69       | 710-0599    |      | Tap Scr. 1/4-20 x 1/2" Lg.     |
| 26       | 786-0011 |      | L.H. Frame Half                     | 70       | 710-0442    |      | Hex Bolt 5/16-18 x 1-1/2" Lg.* |
| 27       | 786-0010 |      | R.H. Frame Half                     | 71       | 736-0258    |      | FI-Wash. 3/8" I.D. x 1" O.D.   |
| 28       | 710-0607 |      | Hex Tap. Scr. 5/16-18 x<br>1/2" Lg. | 72       | 712-0287    |      | Hex Nut 1/4-20 Thd.*           |
| 29       | 750-0845 |      | Spacer                              | 73       | 710-0107    |      | Hex Bolt 5/16-24 x .5" Lg.     |
| 30       | 710-1090 |      | Hex Bolt 5/16-18 x 1-1/4" Lg.       | 74       | 04921       |      | Tine Blade Ass'y. Comp.        |
| 31       | 714-3017 |      | Cotter Pin                          | 75       | 712-0267    |      | Hex Nut 5/16-18 Thd.*          |
| 32       | 786-0012 |      | Wheel Bracket                       | 76       | 731-0511-12 |      | Trim Strip                     |
| 33       | 634-0013 |      | Wheel—6"                            | 77       | 736-0169    |      | L-Wash. 3/8" I.D.*             |
| 34       | 738-0855 |      | Axle—Wheel                          | 78       | 710-0152    |      | Hex Bolt 3/8-24 x 1" Lg.       |
| 35       | 720-0258 |      | Hub Cap                             | 79       | 786-0046    |      | Belt Cover Bracket             |

# Model 035



Lubricate with 10 oz. of Bena-lene #372-0 Grease. Order Part No. 737-0223 (10 oz. Tube).

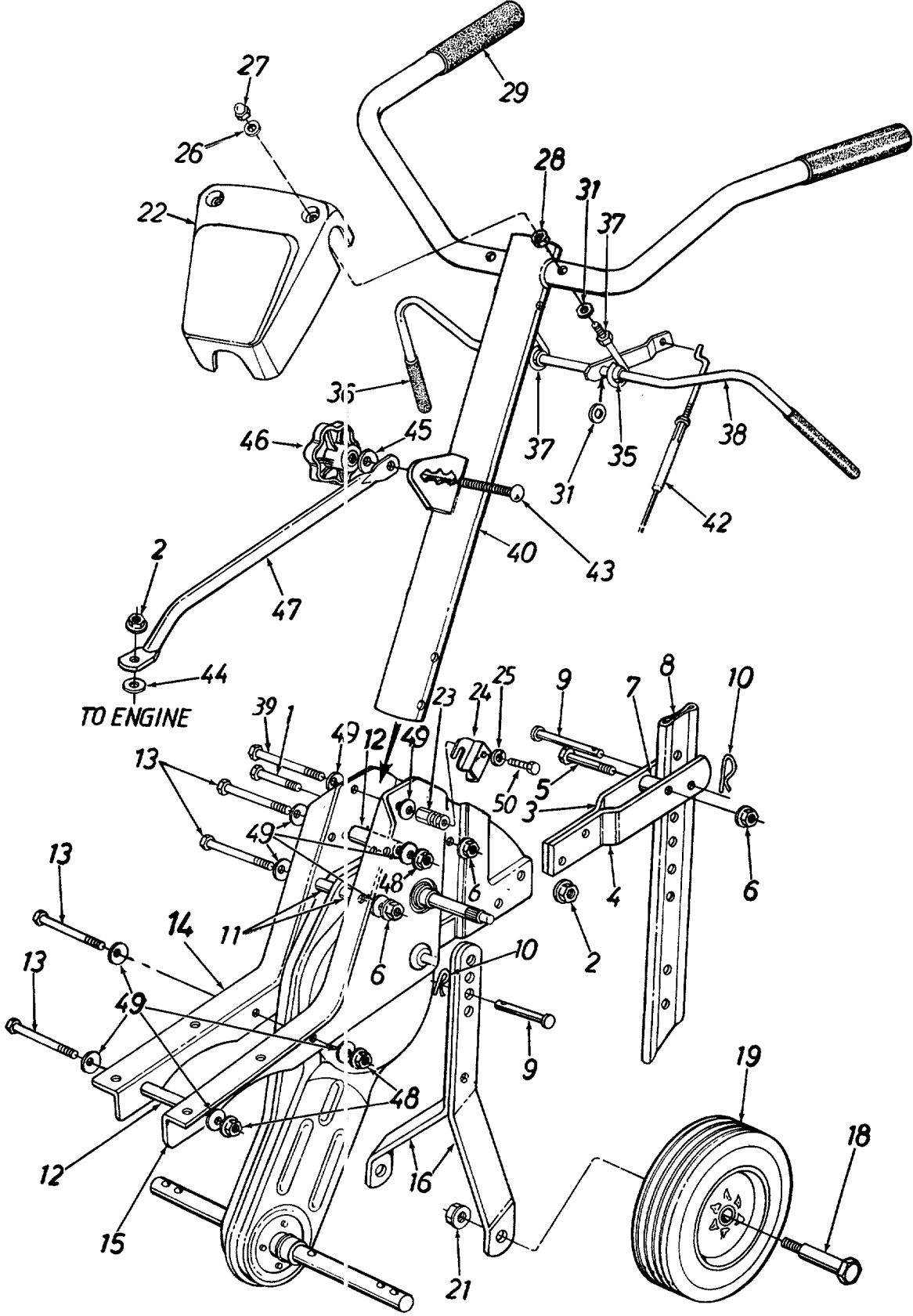
## PARTS LIST FOR MODEL 035 TILLER

| REF. NO. | PART NO.  | CODE | DESCRIPTION                    | REF. NO. | PART NO. | CODE | DESCRIPTION                                   |
|----------|-----------|------|--------------------------------|----------|----------|------|---|
| 1        | 686-0024  |      | Chain Case Ass'y.—R.H.         | 23       | 713-0216 |      | Chain #35 .375" Pitch 50 Links                |
| 2        | 04756     |      | Input Shaft Ass'y.             |          | 713-0139 |      | #35 Master Link                               |
| 3        | 04757     |      | Hub and Sprocket Ass'y.        | 24       | 748-0154 |      | Bearing .62" I.D. x .813"                     |
| 4        | 750-0351  |      | Bearing Inner Race             | 25       | 05034A   |      | Bearing Housing                               |
| 5        | 741-0155  |      | Ball Bearing                   | 26       | 726-0164 |      | Expansion Plug 13/16" Dia.                    |
| 6        | 686-0023  |      | Chain Case Ass'y.—L.H.         | 27       | 741-0228 |      | Bearing                                       |
| 7        | 756-0287  |      | Pulley—Chain Case††            | 28       | 731-0486 |      | Dust Cap††                                    |
| 8        | 710-0369  |      | Hex Bolt 3/8-24 x 2.5"*        | 29       | 710-0599 |      | Hex Wash. Hd. Self-Tap Scr. 1/4-20 x .50" Lg. |
| 10       | 721-0157  |      | Seal††                         | 30       | 750-0471 |      | Spacer .63" I.D. x .77" O.D. x .38" Lg.       |
| 11       | 710-0195  |      | Hex Bolt 1/4-28 x .625"*       | 31       | 715-0114 |      | Spring Pin Spiral 1/4" Dia. x 1-1/2" Lg.††    |
| 12       | 721-0156A |      | Gasket                         | 32       | 750-0550 |      | Spacer .647 x 1.25"††                         |
| 13       | 741-0227  |      | Flange Brg. .879" I.D.         | 33       | 710-0653 |      | Hex Wash. Hd. Self-Tap Scr. 1/4-20 x .38" Lg. |
| 14       | 736-0265  |      | Fl-Wash. .88" I.D. x 1.5"      | 34       | 710-0118 |      | Hex Bolt 5/16-18 x .75" Lg.*                  |
| 15       | 04920     |      | Tine Shaft Ass'y.              | 35       | 712-0267 |      | Hex Nut 5/16-18 Thd.*                         |
| 16       | 750-0354A |      | Spacer 7/8" I.D.               | 36       | 736-0119 |      | L-Wash. 5/16" I.D.*                           |
| 17       | 736-0329  |      | L-Wash. 1/4" I.D.*             |          | 686-0022 |      | Chain Case Ass'y. Comp.                       |
| 18       | 712-0138  |      | Hex Nut 1/4-28 Thd.*           |          |          |      |   |
| 19       | 712-0116  |      | Hex Ins. L-Nut 3/8-24 Thd.     |          |          |      |   |
| 21       | 736-0219  |      | Bell-Wash. .406" I.D.          |          |          |      |   |
| 22       | 713-0215  |      | Chain #420 1/2" Pitch 38 Links |          |          |      |   |
|          | 713-0154  |      | #420 Master Link               |          |          |      |   |

††Not part of chain case assembly.



# Model 340



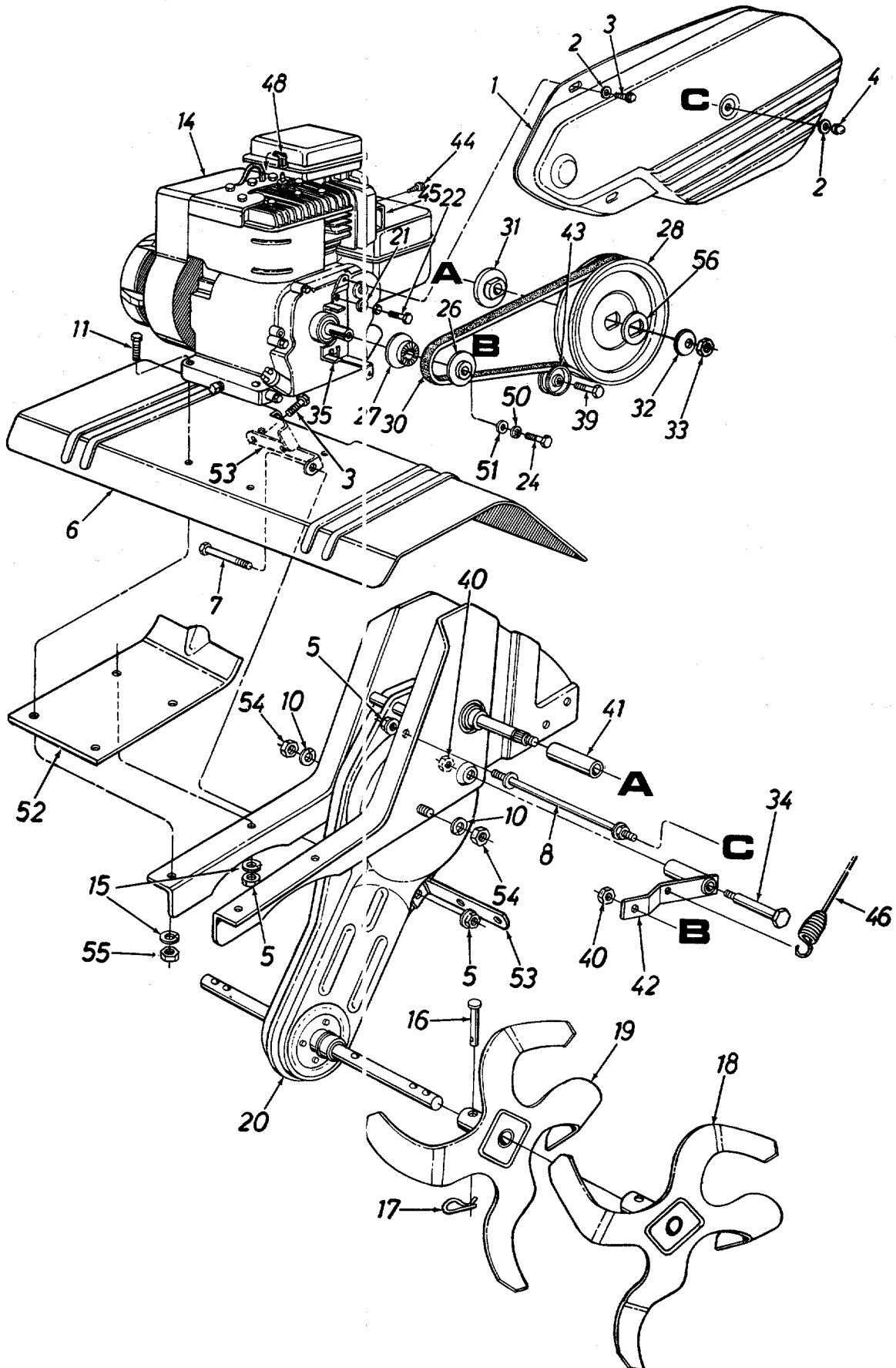
# Model 340

## PARTS LIST FOR MODEL 340 TILLER

| REF. NO. | PART NO.  | CODE | DESCRIPTION                              | REF. NO. | PART NO. | CODE | DESCRIPTION                              |
|----------|-----------|------|--|----------|----------|------|--|
| 1        | 710-0874  |      | Hex Bolt 5/16-18 x 1.25" Lg.             | 24       | 786-0129 | N    | Cable Guide Brkt.                        |
| 2        | 712-3004A |      | Hex Flange L-Nut 5/16-18 Thd.<br>(Gr. 5) | 25       | 736-0119 |      | L-Wash. 5/16" I.D.*                      |
| 3        | 786-0004  |      | Tail Piece Brkt. (R.H.)                  | 26       | 736-3020 |      | Fl-Wash. .266" I.D. x .625" O.D.         |
| 4        | 786-0003  |      | Tail Piece Brkt. (L.H.)                  | 27       | 712-0392 |      | Hex L-Stop Nut 1/4-28 Thd.               |
| 5        | 710-0442  |      | Hex Bolt 5/16-18 x 1.5" Lg.              | 28       | 712-0138 |      | Hex Nut 1/4-28 Thd.                      |
| 6        | 712-3004A |      | Hex Flange L-Nut 5/16-18 Thd.<br>(Gr. 5) | 29       | 720-0268 |      | Grip—Handle                              |
| 7        | 750-0890  |      | Spacer .32" I.D. x .75" O.D.             | 31       | 736-0140 |      | Fl-Wash. .385" I.D. x .62" O.D.          |
| 8        | 786-0005  |      | Depth Bar                                | 35       | 741-0475 |      | Plastic Bushing .38" I.D.                |
| 9        | 711-0599  |      | Clevis Pin .375" I.D. x 1.75" Lg.        | 36       | 720-0269 |      | Grip—Clutch                              |
| 10       | 714-0149B |      | Internal Cotter Pin                      | 37       | 747-0815 |      | Clutch Handle Eye Bolt                   |
| 11       | 750-0470  |      | Spacer .326" I.D. x .47" O.D.            | 38       | 686-0008 |      | Clutch Handle Ass'y.                     |
| 12       | 750-0885  |      | Spacer .322" I.D. x .44" O.D.            | 39       | 710-0189 |      | Hex Bolt 5/16-18 x 3" Lg.                |
| 13       | 710-0176  |      | Hex Bolt 5/16-18 x 2.75" Lg.             | 40       | 649-0001 |      | Longhorn Handle Ass'y.                   |
| 14       | 786-0028  |      | Frame—R.H.                               | 42       | 746-0918 | N    | Clutch Control Cable                     |
| 15       | 786-0029  |      | Frame—L.H.                               | 43       | 710-1236 |      | Carr. Bolt 5/16-18 x 1" Lg.<br>(Special) |
| 16       | 686-0025  |      | Wheel Hanger Brkt. Ass'y.                | 44       | 736-0123 |      | Fl-Wash. .344" I.D. x 1.12" O.D.         |
| 18       | 738-0213  |      | Shld. Bolt .498" Dia. x 1.45" Lg.        | 45       | 736-0242 |      | Bell-Wash. .345" I.D. x .88" O.D.        |
| 19       | 734-1781  |      | Wheel Ass'y.                             | 46       | 720-0195 |      | Hand Knob                                |
| 20       | 710-3094  |      | Hex Bolt 3/8-16 x 1" Lg. (Gr. 8)         | 47       | 749-0915 |      | Engine Tubing Brace                      |
| 21       | 712-3005  |      | Hex Flange L-Nut 3/8-16 Thd.<br>(Gr. 5)  | 48       | 712-0429 |      | Hex L-Nut 5/16-18 Thd.                   |
| 22       | 731-1599  |      | Handle Cover                             | 49       | 736-0242 |      | Bell-Wash. .345" I.D. x .88" O.D.        |
| 23       | 711-1036  | N    | Spec. Hex Nut                            | 50       | 710-3008 |      | Hex Bolt 5/16-18 x .75" Lg.<br>(Gr. 5)   |

\*For faster service obtain standard nuts, bolts and washers locally.  
If these items cannot be obtained locally, order by part number  
and size as shown on parts list.

# Model 340





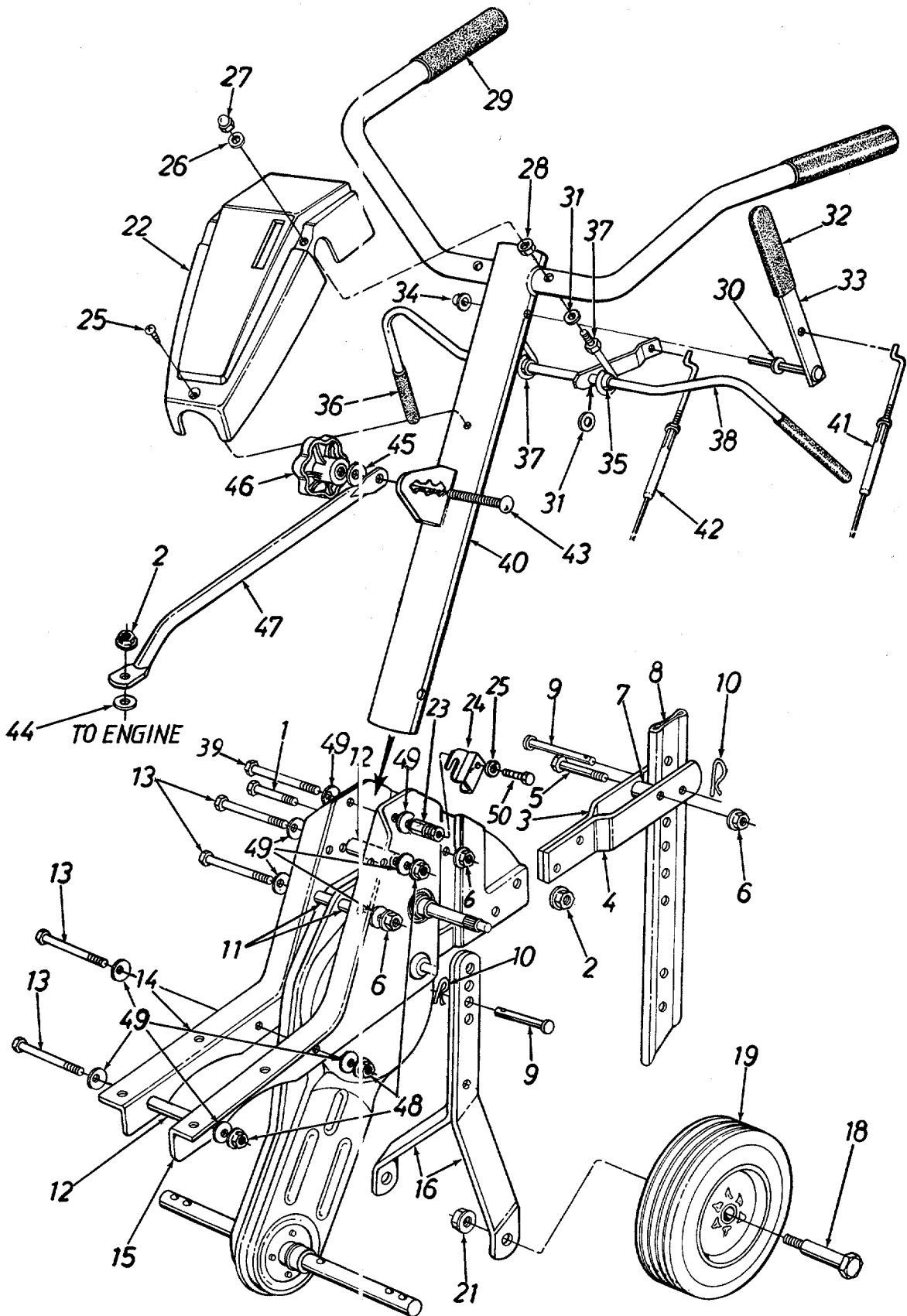
# Model 340

## PARTS LIST FOR MODEL 340 TILLER

| REF. NO. | PART NO.  | CODE | DESCRIPTION  | REF. NO. | PART NO. | CODE | DESCRIPTION                           |
|----------|-----------|------|--|----------|----------|------|---------------------------------------|
| 1        | 786-0036  |      | Belt Cover   | 26       | 756-0972 |      | Outer Engine Pulley Half              |
| 2        | 736-3020  |      | FI-Wash. .266" I.D. x .625" O.D.                               | 27       | 756-0971 |      | Inner Engine Pulley Half              |
| 3        | 710-0599  |      | Hex Wash. Hd. TT-Tap Scr.<br>1/4-20 x .5" Lg.                  | 28       | 756-0585 |      | FI-Pulley 6" Dia.                     |
| 4        | 712-0392  |      | Hex L-Stop Nut 1/4-28 Thd.                                     | 30       | 754-0428 |      | "V"-Belt                              |
| 5        | 712-3004A |      | Hex Flange Top L-Nut<br>5/16-18 Thd. (Gr. 5)                   | 31       | 748-0350 |      | Pulley Mounting Adapter               |
| 6        | 786-0035  |      | Tine Shield  | 32       | 736-0112 |      | Bell-Wash. .535" I.D. x 1.5" O.D.     |
| 7        | 710-0118  |      | Hex Bolt 5/16-18 x .75" Lg.*                                   | 33       | 712-3029 |      | Hex Jam Nut 1/2-20 Thd. (Gr. 5)       |
| 8        | 711-0919  |      | Belt Cover Bolt  | 34       | 738-0102 |      | Shld. Bolt .498" Dia. x 1.45" Lg.     |
| 10       | 736-0171  |      | L-Wash. 7/16" I.D.   | 35       | 786-0039 |      | Belt Cover Brkt.                      |
| 11       | 710-0380  |      | Hex Bolt 5/16-18 x 1.75" Lg.                                   | 38       | 756-0313 |      | FI-Idler 2.12" O.D.                   |
| 14       | —         |      | Engine   | 39       | 710-0723 |      | Hex Cap Bolt 3/8-16 x 1.25" Lg.       |
| 15       | 736-0170  |      | Spec. L-Nut 5/16" I.D.   | 40       | 712-0266 |      | Hex Cent. Jam Nut 3/8-16 Thd.         |
| 16       | 711-0599  |      | Clevis Pin .375" Dia. x 1.75" Lg.                              | 41       | 750-0892 |      | Spacer .64" I.D. x 2.4" Lg.           |
| 17       | 714-0149B |      | Internal Cotter Pin  | 42       | 686-0011 |      | Tine Idler Brkt. Ass'y.               |
| 18       | 642-0005  |      | Outer Tine Ass'y.—L.H.   | 43       | 756-0199 |      | FI-Idler 2" O.D.                      |
|          | 642-0004  |      | Outer Tine Ass'y.—R.H.<br>(Not Shown)                          | 44       | 710-0783 |      | Hex Self-Tap Scr. #8-32 x .38"<br>Lg. |
| 19       | 642-0003  |      | Inner Tine Ass'y.—L.H.   | 45       | 751-0233 | N    | Muffler Deflector                     |
|          | 642-0002  |      | Inner Tine Ass'y.—R.H.<br>(Not Shown)                          | 46       | 746-0918 |      | Clutch Control Cable                  |
| 20       | 686-0009  |      | Chain Case Ass'y. Comp.<br>(Available Only as Comp.<br>Ass'y.) | 48       | 735-0639 |      | Spark Plug Boot (Optional)            |
| 21       | 736-0119  |      | L-Wash. 5/16" I.D.*  | 50       | 736-0169 |      | L-Wash. 3/8" I.D.*                    |
| 22       | 710-0107  |      | Hex Bolt 5/16-24 x .5" Lg.                                     | 51       | 736-0258 |      | FI-Wash. 3/8" I.D. x 1" O.D.          |
| 24       | 710-0191  |      | Hex Bolt 3/8-24 x 1.25" Lg.                                    | 52       | 786-0047 |      | Engine Plate                          |
|          |           |      |  | 53       | 786-0053 |      | Tine Shield Support                   |
|          |           |      |  | 54       | 712-0240 |      | Hex Nut 7/16-20 Thd.                  |
|          |           |      |  | 55       | 712-3010 |      | Hex Nut 5/16-18 Thd.                  |
|          |           |      |  | 56       | 736-0312 |      | Bearing Retainer Washer               |

\*For faster service obtain standard nuts, bolts and washers locally.  
If these items cannot be obtained locally, order by part number  
and size as shown on parts list.

# Model 390



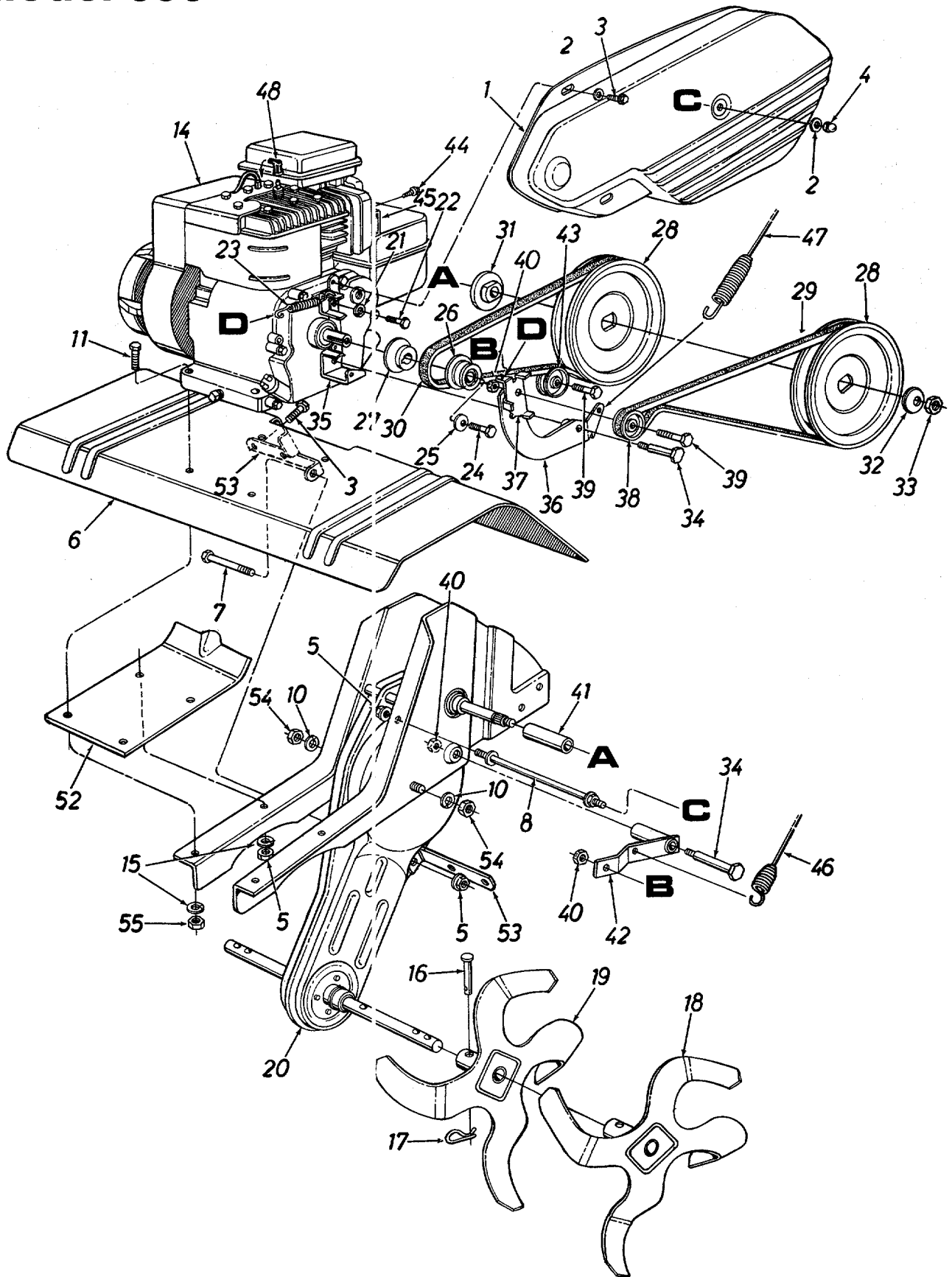
# Model 390

## PARTS LIST FOR MODEL 390 TILLER

| REF. NO. | PART NO.  | CODE | DESCRIPTION                              | REF. NO. | PART NO. | CODE | DESCRIPTION                              |
|----------|-----------|------|--|----------|----------|------|--|
| 1        | 710-0874  |      | Hex Bolt 5/16-18 x 1.25" Lg.             | 26       | 736-3020 |      | Fl-Wash. .266" I.D. x .625" O.D.         |
| 2        | 712-3004A |      | Hex Flange L-Nut 5/16-18 Thd.<br>(Gr. 5) | 27       | 712-0392 |      | Hex L-Stop Nut 1/4-28 Thd.               |
| 3        | 786-0004  |      | Tail Piece Brkt. (R.H.)                  | 28       | 712-0138 |      | Hex Nut 1/4-28 Thd.                      |
| 4        | 786-0003  |      | Tail Piece Brkt. (L.H.)                  | 29       | 720-0268 |      | Grip-Handle                              |
| 5        | 710-0442  |      | Hex Bolt 5/16-18 x 1.5" Lg.              | 30       | 736-0264 |      | Fl-Wash. .344" I.D. x .62" O.D.          |
| 6        | 712-3004A |      | Hex Flange L-Nut 5/16-18 Thd.<br>(Gr. 5) | 31       | 736-0140 |      | Fl-Wash. .385" I.D. x .62" O.D.          |
| 7        | 750-0890  |      | Spacer .32" I.D. x .75" O.D.             | 32       | 720-0270 |      | Grip-Reverse Lever                       |
| 8        | 786-0005  |      | Depth Bar                                | 33       | 686-0014 |      | Reverse Handle Ass'y.                    |
| 9        | 711-0599  |      | Clevis Pin .375" I.D. x 1.75" Lg.        | 34       | 726-0135 |      | Cap Speed Nut                            |
| 10       | 714-0149B |      | Internal Cotter Pin                      | 35       | 741-0475 |      | Plastic Bushing .38" I.D.                |
| 11       | 750-0470  |      | Spacer .326" I.D. x .47" O.D.            | 36       | 720-0269 |      | Grip-Clutch                              |
| 12       | 750-0885  |      | Spacer .322" I.D. x .44" I.D.            | 37       | 747-0815 |      | Clutch Handle Eye Bolt                   |
| 13       | 710-0176  |      | Hex Bolt 5/16-18 x 2.75" Lg.             | 38       | 686-0008 |      | Clutch Handle Ass'y.                     |
| 14       | 786-0028  |      | Frame-R.H.                               | 39       | 710-0189 |      | Hex Bolt 5/16-18 x 3" Lg.                |
| 15       | 786-0029  |      | Frame-L.H.                               | 40       | 649-0001 |      | Longhorn Handle Ass'y.                   |
| 16       | 686-0025  |      | Wheel Hanger Brkt. Ass'y.                | 41       | 746-0919 |      | Clutch Control Cable-Reverse             |
| 18       | 738-0213  |      | Shld. Bolt .498" Dia. x 1.45" Lg.        | 42       | 746-0918 |      | Clutch Control Cable-Forward             |
| 19       | 734-1566  |      | Wheel Ass'y. 8" x 1.75"                  | 43       | 710-1236 |      | Carr. Bolt 5/16-18 x 1" Lg.<br>(Special) |
| 21       | 712-3005  |      | Hex Flange L-Nut 3/8-16 Thd.<br>(Gr. 5)  | 44       | 736-0123 |      | Fl-Wash. .344" I.D. x 1.12" O.D.         |
| 22       | 731-1600  | N    | Handle Cover w/Reverse                   | 45       | 736-0242 |      | Bell-Wash. .345" I.D. x .88" O.D.        |
| 23       | 711-1036  | N    | Spec. Hex Nut                            | 46       | 720-0195 |      | Hand Knob                                |
| 24       | 786-0129  | N    | Cable Guide Brkt.                        | 47       | 749-0915 |      | Engine Tubing Brace                      |
| 25       | 736-0119  |      | L-Wash. 5/16" I.D.*                      | 48       | 712-0429 |      | Hex Nyloc Nut 5/16-18 Thd.               |
|          |           |      |  | 49       | 736-0242 |      | Bell-Wash. .345" I.D. x .88" O.D.        |

\*For faster service obtain standard nuts, bolts and washers locally.  
If these items cannot be obtained locally, order by part number  
and size as shown on parts list.

# Model 390



# Model 390

## PARTS LIST FOR MODEL 390 TILLER

| REF. NO. | PART NO.  | CODE | DESCRIPTION  | REF. NO. | PART NO. | CODE | DESCRIPTION                           |
|----------|-----------|------|--|----------|----------|------|---------------------------------------|
| 1        | 786-0030  |      | Belt Cover   | 26       | 756-0600 |      | Outer Engine Pulley Half              |
| 2        | 736-3020  |      | Fl-Wash. .266" I.D. x .625" O.D.                               | 27       | 756-0971 |      | Inner Engine Pulley Half              |
| 3        | 710-0599  |      | Hex Wash. Hd. TT-Tap Scr.<br>1/4-20 x .5" Lg.                  | 28       | 756-0585 |      | Fl-Pulley 6" Dia.                     |
| 4        | 712-0392  |      | Hex L-Stop Nut 1/4-28 Thd.                                     | 29       | 754-0429 |      | "V"-Belt (Reverse)                    |
| 5        | 712-3004A |      | Hex Flange Top L-Nut<br>5/16-18 Thd. (Gr. 5)                   | 30       | 754-0428 |      | "V"-Belt (Forward)                    |
| 6        | 786-0035  |      | Tine Shield  | 31       | 748-0350 |      | Pulley Mounting Adapter               |
| 7        | 710-0118  |      | Hex Bolt 5/16-18 x .75" Lg.*                                   | 32       | 736-0112 |      | Bell-Wash. .535" I.D. x 1.5" O.D.     |
| 8        | 711-0920  |      | Belt Cover Bolt  | 33       | 712-3029 |      | Hex Jam Nut 1/2-20 Thd. (Gr. 5)       |
| 10       | 736-0171  |      | L-Wash. 7/16" I.D.   | 34       | 738-0102 |      | Shld. Bolt .498" Dia. x 1.45" Lg.     |
| 11       | 710-0380  |      | Hex Bolt 5/16-18 x 1.75" Lg.                                   | 35       | 786-0040 |      | Reverse Mounting Brkt.                |
| 14       | —         |      | Engine   | 36       | 686-0013 |      | Reverse Arm Ass'y.                    |
| 15       | 736-0170  |      | Spec. L-Nut 5/16" I.D.   | 37       | 786-0041 |      | Keeper Plate                          |
| 16       | 711-0599  |      | Clevis Pin .375" Dia. x 1.75" Lg.                              | 38       | 756-0313 |      | Fl-Idler 2.12" O.D.                   |
| 17       | 714-0149B |      | Internal Cotter Pin  | 39       | 710-0723 |      | Hex Cap Bolt 3/8-16 x 1.25" Lg.       |
| 18       | 642-0005  |      | Outer Tine Ass'y.—L.H.   | 40       | 712-0266 |      | Hex Cent. Jam Nut 3/8-16 Thd.         |
|          | 642-0004  |      | Outer Tine Ass'y.—R.H.<br>(Not Shown)                          | 41       | 750-0892 |      | Spacer .64" I.D. x 2.4" Lg.           |
| 19       | 642-0003  |      | Inner Tine Ass'y.—L.H.   | 42       | 686-0011 |      | Tine Idler Brkt. Ass'y.               |
|          | 642-0002  |      | Inner Tine Ass'y.—R.H.<br>(Not Shown)                          | 43       | 756-0199 |      | Fl-Idler 2" O.D.                      |
| 20       | 686-0009  |      | Chain Case Ass'y. Comp.<br>(Available Only as Comp.<br>Ass'y.) | 44       | 710-0783 |      | Hex Self-Tap Scr. #8-32 x .38"<br>Lg. |
| 21       | 736-0119  |      | L-Wash. 5/16" I.D.*  | 45       | 751-0233 |      | Muffler Deflector                     |
| 22       | 710-0107  |      | Hex Bolt 5/16-24 x .5" Lg.                                     | 46       | 746-0918 |      | Clutch Control Cable—Forward          |
| 23       | 732-0697  |      | Return Spring 2.7" Lg.   | 47       | 746-0919 |      | Clutch Control Cable—Reverse          |
| 24       | 710-0191  |      | Hex Bolt 3/8-24 x 1.25" Lg.                                    | 48       | 735-0639 |      | Spark Plug Boot (Optional)            |
| 25       | 736-0452  |      | Bell-Wash. .396" I.D. x 1.14"<br>O.D.                          | 52       | 786-0047 |      | Engine Plate                          |
|          |           |      |  | 53       | 786-0053 |      | Tine Shield Support                   |
|          |           |      |  | 54       | 712-0240 |      | Hex Nut 7/16-20 Thd.                  |
|          |           |      |  | 55       | 712-3010 |      | Hex Nut 5/16-18 Thd. (Gr. 5)          |

\*For faster service obtain standard nuts, bolts and washers locally.  
If these items cannot be obtained locally, order by part number  
and size as shown on parts list.









## Free Manuals Download Website

<http://myh66.com>

<http://usermanuals.us>

<http://www.somanuals.com>

<http://www.4manuals.cc>

<http://www.manual-lib.com>

<http://www.404manual.com>

<http://www.luxmanual.com>

<http://aubethermostatmanual.com>

Golf course search by state

<http://golfingnear.com>

Email search by domain

<http://emailbydomain.com>

Auto manuals search

<http://auto.somanuals.com>

TV manuals search

<http://tv.somanuals.com>