

Owner's Operating Service Instruction Manual

10¢

Model Nos.
215-390A
215-395A

- ASSEMBLY
- OPERATION
- REPAIR PARTS

CHAIN DRIVE TILLERS

WARRANTY

For one year from date of purchase, MTD Products Inc will replace for the original purchaser, free of charge, F.O.B. factory or authorized service firm, any part or parts found to be defective in material or workmanship. All transportation charges on parts submitted for replacement under this warranty must be paid by the purchaser. This warranty does not include replacement of parts which become inoperative through misuse, excessive use, accident, neglect, improper maintenance or alterations by unauthorized persons. This warranty does not include the engine, motor, battery, battery charger or any component parts thereof. For service on these units, refer to the applicable manufacturer's warranty.

The above warranty will apply only to the original owner and will be effective only if the warranty card has been properly processed. It will not apply where the unit has been used commercially.

Warranty service is available through your local authorized service dealer or distributor. **UNDER NO CIRCUMSTANCES WILL THE RETURN OF A COMPLETE UNIT BE ACCEPTED BY THE FACTORY UNLESS PRIOR WRITTEN PERMISSION HAS BEEN EXTENDED.**

MTD PRODUCTS INC • 5389 WEST 130th STREET • P. O. BOX 2741 CLEVELAND OHIO 44111

PRINTED IN U.S.A.

FORM NO. 770-5636

SAFETY RULES

1. Your tiller is a precision piece of power equipment. Exercise extreme caution at all times.
2. Do not attempt to start engine with the clutch control in the engaged or FORWARD position.
3. Stand clear of tines when starting engine. Never stand in front of, or work on tines while the engine is running.
4. NEVER place hands or feet in the vicinity of the tines while the engine is running.
5. Always stop engine when tiller is not in actual use.
6. Always disconnect spark plug wire during repairs or refueling operations.
7. Do not fill fuel tank while engine is running. Do not spill gasoline on hot engine.

Your rotary tiller is a precision built machine designed to take the work out of gardening and other related chores. It can be used for seed bed preparation, tilling, cultivating, furrowing, composting and mulching. Like any other piece of power equipment, it requires a certain amount of care and maintenance. In return for this, it will give a maximum of service and efficiency. Read these instructions carefully before assembling or operating your tiller. Through proper care and operation, you will obtain long, efficient service and trouble free operation.

NOTE

Your tiller is shipped without oil in the engine crankcase. See engine manual for correct type and amount.

ASSEMBLY

Your Rotary Tiller is shipped completely assembled except for the handle, tine assemblies, depth bar and wheels. These parts, with the necessary hardware are easily assembled to the machine, as outlined in this section.

NOTE

Reference to right hand or left hand side of machine is from the operating position.

TOOLS REQUIRED

One Screwdriver
Two 7/16" Wrenches
Two 9/16" Wrenches
Two 5/8" Wrenches
One Pair of Pliers

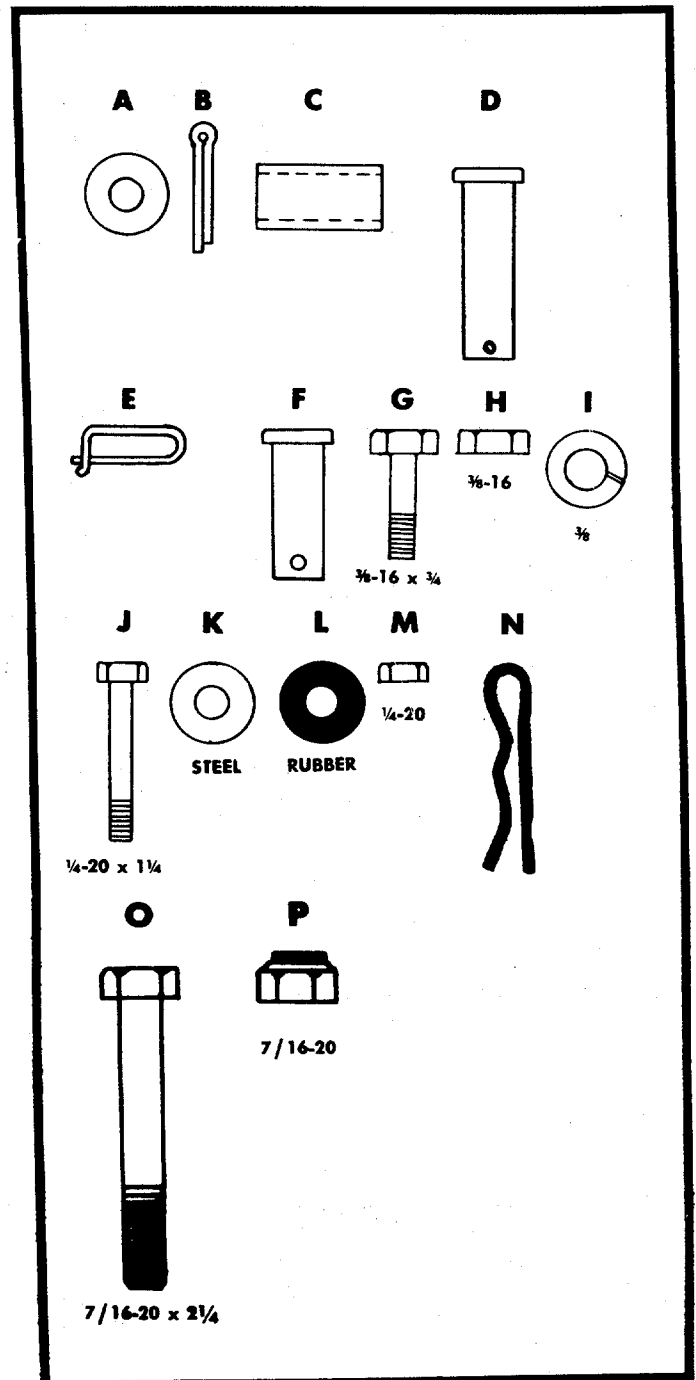


FIGURE 1. HARDWARE SUPPLIED

Wheel and Wheel Hanger Assembly

Refer to figure 2.

- Step 1. Slide the axle through the wheel hanger.
- Step 2. Place the washer A, spacer C, wheel and washer A on each side of the axle and secure each with a cotterpin B as shown.

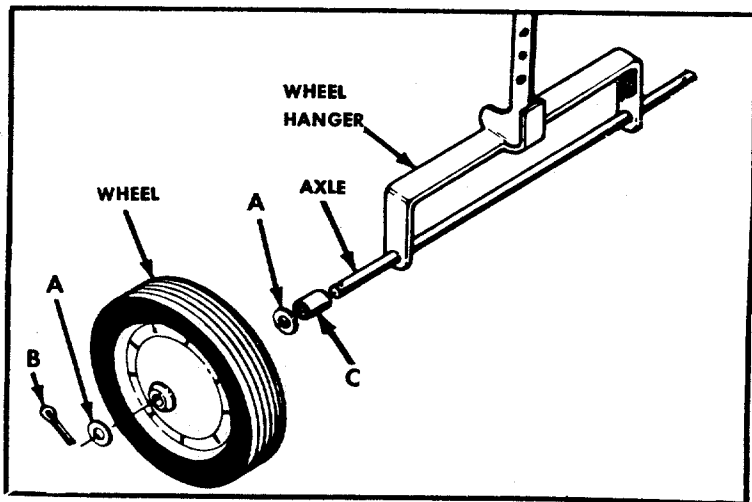


FIGURE 2. WHEEL ASSEMBLY

Step 3. Place the wheel hanger into the tailpiece and secure with the long clevis pin (D) and locking pin (E). See figure 3.

NOTE

For the initial set up, use the second hole from the bottom on the wheel hanger.

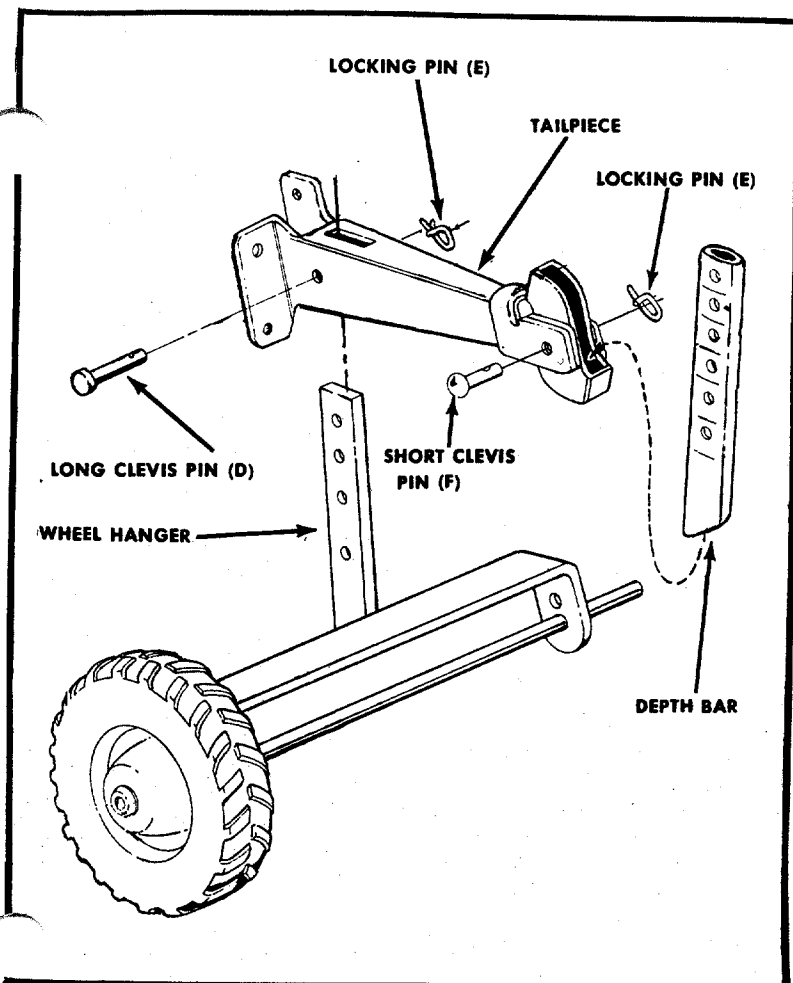


FIGURE 3. WHEEL HANGER AND DEPTH BAR

Depth Bar

Refer to figure 3.

Step 1. Attach the depth bar to the tailpiece with the clevis pin F.

Step 2. Secure the clevis pin F with the locking pin E.

Dust Pad

Install the dust pads in each inner tine assembly. See figure 4.

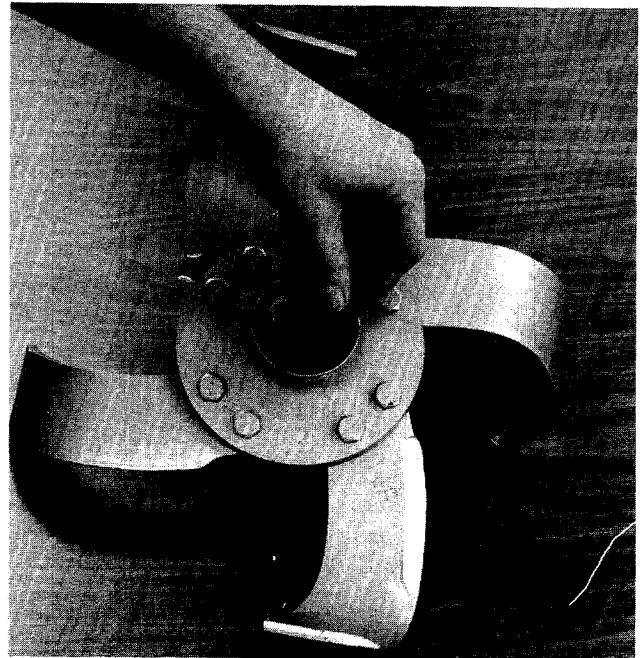


FIGURE 4. DUST PADS

Tine Assembly

Step 1. The inner tine assemblies are already assembled to the tiller.

Step 2. The outer tine assemblies are inverted on the tine shaft for shipping purposes only, and MUST be removed and turned around so that the sharp edge of the tines enter the soil first. Secure with bolt O and locknut P. See figure 5.

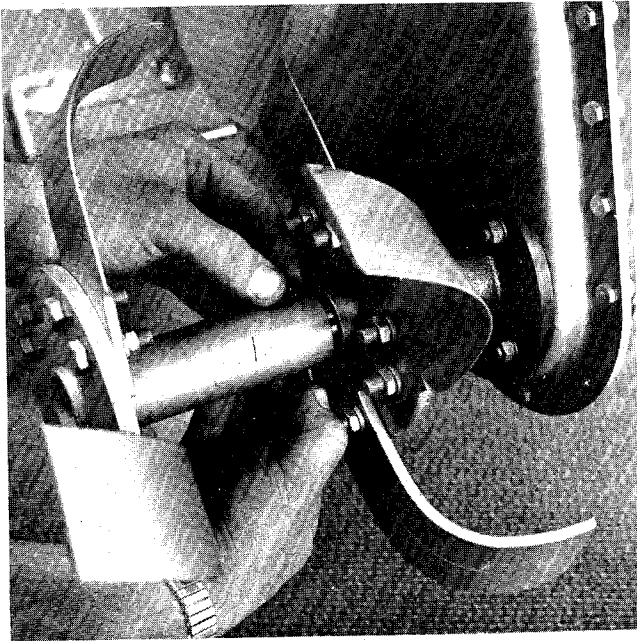


FIGURE 5. OUTER TINE ASSEMBLY

NOTE

Be sure the tines are assembled so the sharpened edge enters the soil first.

Handle Assembly

Refer to figure 6.

Step 1. Assemble the handle assembly to the handle mounting brackets with 4 hex bolts G, lock-washers I and hex nuts H.

Step 2. Assemble grips to handle.

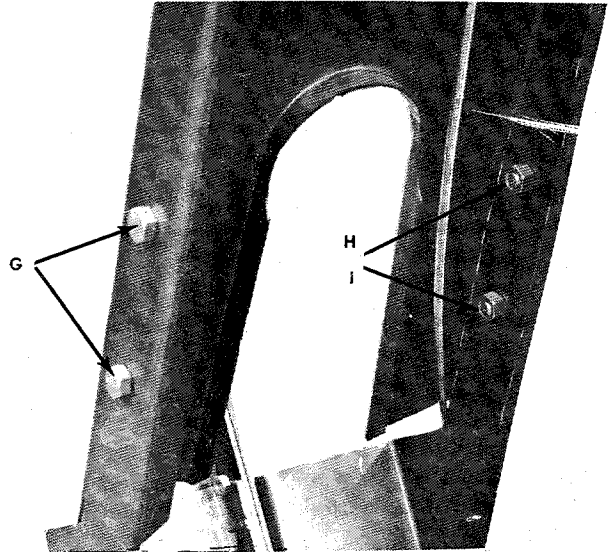


FIGURE 6. HANDLE ASSEMBLY

CONTROL ASSEMBLY

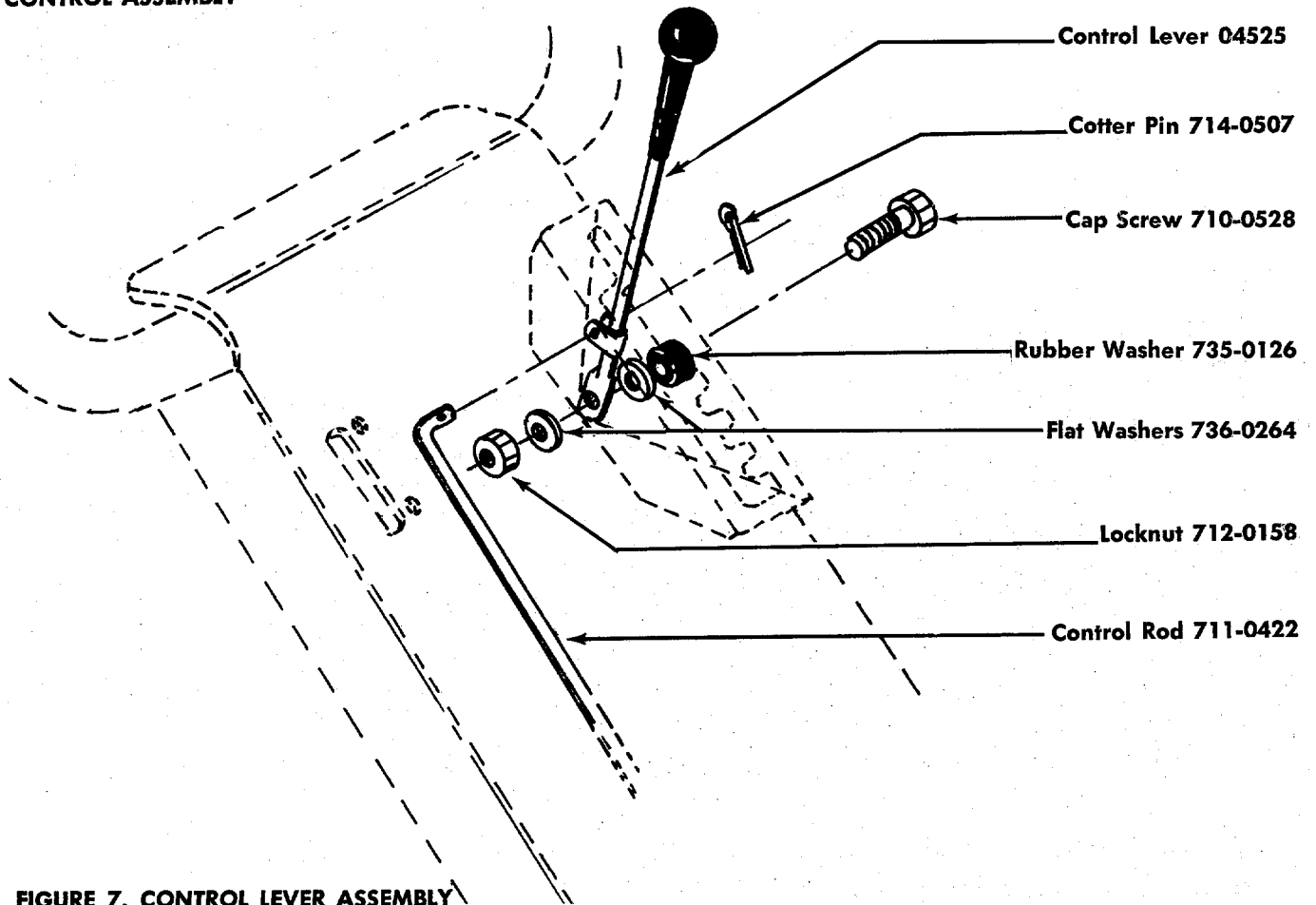


FIGURE 7. CONTROL LEVER ASSEMBLY

CONTROL ASSEMBLY (See figure 7.)

1. Assemble control lever in box on handle panel as shown. Be sure control lever is positioned with the hole in the control rod mounting clevis up (or to the rear).
2. Insert the "L" shaped end of control rod through the lower opening of the box. Screw the threaded end of the control rod into the ferrule on the variable speed control. It will extend approximately $\frac{7}{8}$ ".
3. Insert the "L" shaped end of the control rod into the control lever and fasten with cotter pin.
4. Remove spark plug wire. Place control lever in neutral. Pull recoil starter rope several times. Tines should not rotate. If tines rotate, adjust control rod in ferrule until "NEUTRAL" is obtained.
5. Replace spark plug wire.

CAUTION

If the belt cover (Ref. No. 63 on page 12) is removed, you will not have any neutral. This belt guard contains the belt trapout meant for around the engine pulley. The control rod must be assembled exactly as noted above and as shown in figure 7 or there will be no neutral and the tiller tines will rotate as long as the engine runs.

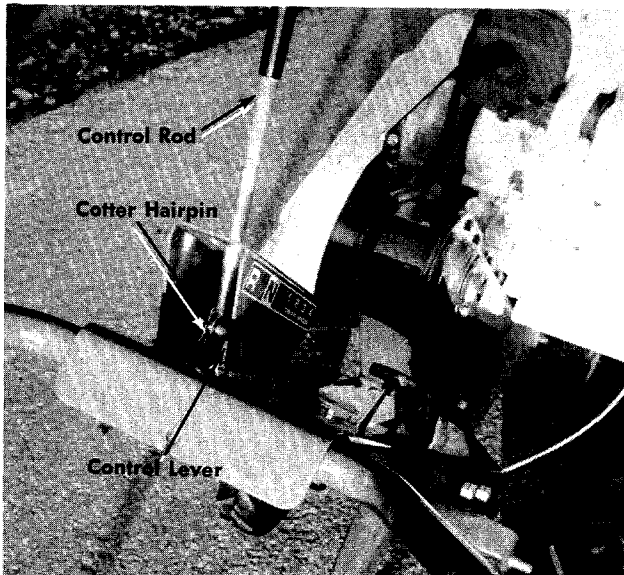


FIGURE 8. THROTTLE CONTROL

Throttle Control Assembly

Step 1. Place throttle control in handle and assemble to handle with the two throttle screws using a screwdriver. See figure 8.

CONTROLS

The controls on your Rotary Tiller are the control lever, throttle control and depth bar.

The Control Lever

The Control Lever is released from Neutral by moving it to the right and allowing the spring tension to pull the control lever into one of the four forward speeds. See figure 9.

NOTE

Number 1 position is the slowest tine rotation speed and number 4 is the fastest.

Pulling the control lever slowly backwards into Reverse position reverses the direction of tine rotation. Reversing should be done at half throttle position.

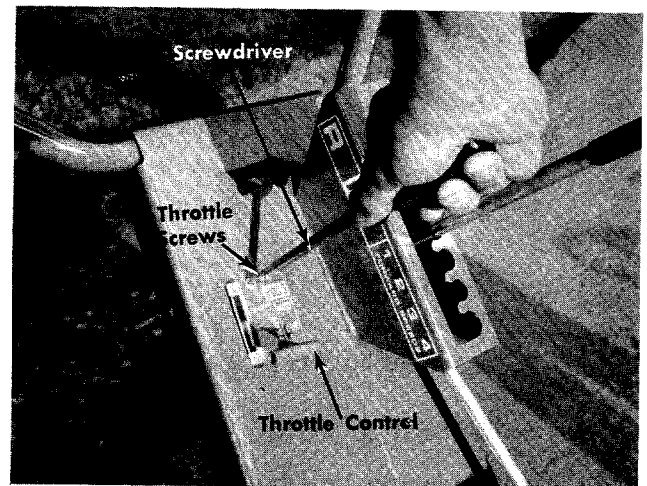


FIGURE 9. CONTROLS

The Throttle Control

The throttle control actuates the butterfly in the carburetor which controls the speed of the engine.

NOTE

Always check the throttle cable and wire at the engine end for a tight connection.

To stop the engine, pull the throttle control all the way back towards you. To start, push the throttle control all the way forward. See figure 9.

The Depth Bar

The depth bar is used to prevent the tiller from running on top of the ground instead of tilling. The deeper you set the depth bar, the deeper you will till. Tilling depth is from 0 to 8 inches. See figure 10.

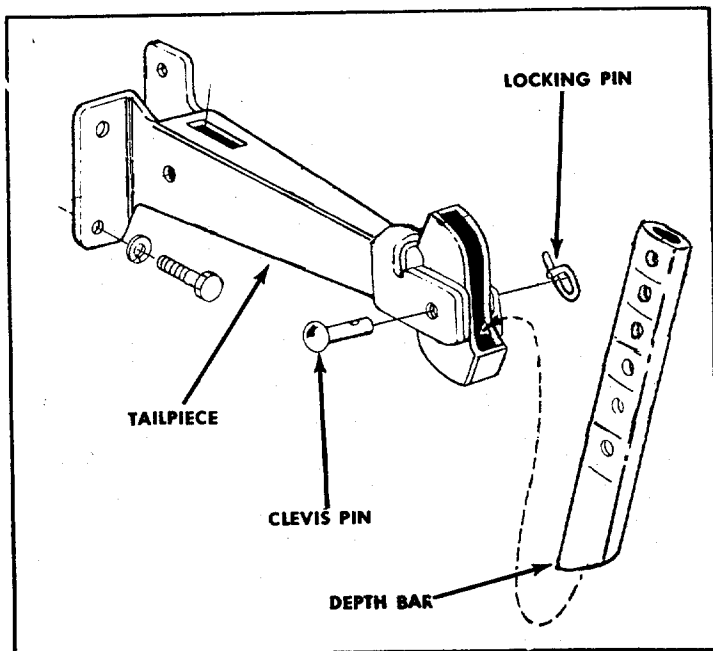


FIGURE 10. DEPTH BAR

WHEEL ADJUSTMENT

The wheel height can be adjusted by removing the long clevis pin on the wheel hanger and raising or lowering the setting. The higher the setting the deeper the tilling depth. See figure 11.

NOTE

Pick a height that places the handles in a comfortable position for the operator.

TILLING WIDTH ADJUSTMENT

The tilling width is adjustable from 12 inches to 40 inches with the use of the optional extension tines. The standard tilling width with both the inner and outer tines is 26 inches. By removing the outer tines you reduce the tilling width to 12 inches.

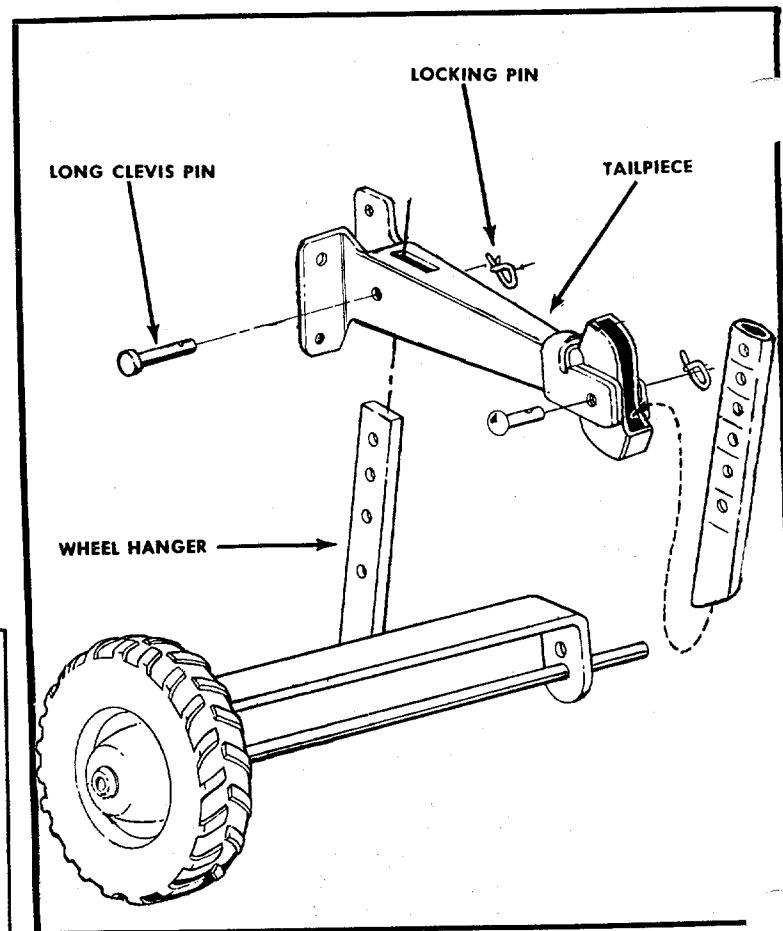


FIGURE 11. WHEEL HEIGHT ADJUSTMENT

CHECKING OIL, GASOLINE AND CHAIN CASE

NOTE

When packaged for shipment the machine contains no oil or gasoline. Before starting the engine, oil must be added to the engine crankcase and gasoline to the tank. **DO NOT** mix oil with gasoline.

a. Oil

With the tiller on level ground, remove the oil filler plug from the engine and fill the crankcase with good quality, SAE 30 type MS engine oil until it overflows. The crankcase holds approximately 2¾ pints of oil. Pour slowly to avoid air locks. Replace the oil filler plug. See figure 18.

b. Gasoline

Remove the gas cap and fill the tank with **FRESH REGULAR GRADE GASOLINE**. If the gasoline has been in a metal can for a long period, throw it away and use fresh gasoline.

c. Chain Case Lubricant

The chain case is sealed and requires no further lubrication unless the chain case is disassembled for repair.

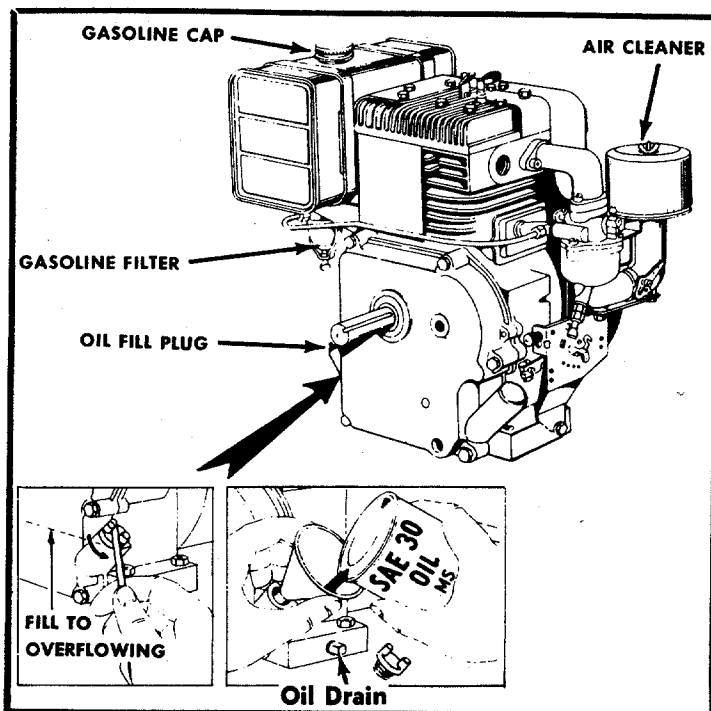


FIGURE 12. OIL AND GASOLINE FILL

AIR FILTER

The air filter is pre-serviced at the factory and requires no additional servicing before the initial use of the tiller, however, the air cleaner should be serviced periodically as stated on page 8.

STARTING THE ENGINE

- Step 1. With the tiller set on level ground, set the control lever in NEUTRAL.
- Step 2. Set the choke in the START.
- Step 3. As illustrated in figure 13, grasp the recoil starter handle, pull out sharply, and hold it in the out position. (Do not let cord snap back.)

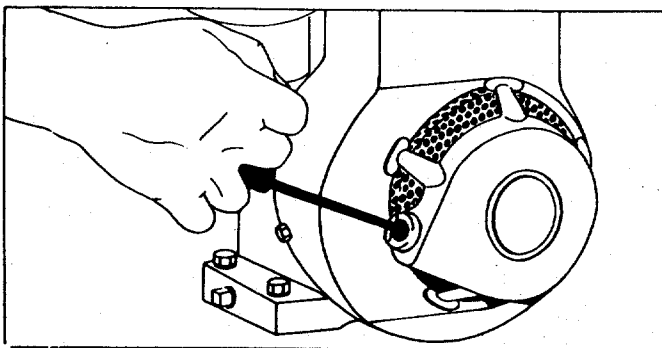


FIGURE 13. RECOIL STARTER

NOTE

The cord should NOT be pulled out more than about two feet. If engine fails to start, allow the cord to wind back into the housing, then pull out sharply again. Refer to Step 5.

Step 4. When the engine starts, gradually move the throttle to the fast position. After engine warms up (about 2 or 3 minutes) set throttle at idle position.

Step 5. **DO NOT OVERCHOKE ENGINE.** Repeated cranking with throttle at START position will cause gasoline to flood the intake tube and the engine. If, after 3 or 4 attempts, the engine fails to start, place throttle in fast position, crank the engine several times to clear out the excess fuel; and then proceed with steps 2, 3 and 4.

STOPPING THE ENGINE

To stop the engine, pull the throttle control all the way back to STOP position. See figure 9. When the throttle control is in the STOP position, a switch blade is activated to short-circuit the spark plug.



Whenever the tiller is left unattended, disconnect the spark plug lead and place the throttle control in the STOP position.

STOPPING THE TINES

Pull the control lever into the NEUTRAL position. The tines will not rotate. See figure 9.

OPERATING THE TILLER

Typical operation of the tiller is as follows:

- Step 1. Set the clutch control to NEUTRAL.
- Step 2. Start the engine.

NOTE

To move the tiller to the work area, keep the depth bar in the highest position. With the throttle in the SLOW position, slowly engage the control lever into the number 1 position and the tiller will walk to the work area without digging into the ground.

Step 3. With the clutch control in NEUTRAL, set the depth bar in one of the lower settings.

NOTE

When several passes must be made over the same area, lower the depth bar each time a pass is made.

Step 4. Set the throttle control to fast. (See page 5.)

Step 5. Slowly engage the clutch control to the number 1 position and the tines will begin rotating. Number 4 position will give the maximum tine speed. Tilling the ground for the first time should be done in the number 1 or 2 position. To pulverize the soil after it has been tilled, move the control lever to the number 3 or 4 position.

NOTE

This tiller is equipped with a variable speed pulley making it necessary for the engine to be running to move the control lever into the faster speeds. A downward pressure on the handles will increase working depth and reduce the forward speed. An upward pressure on the handles will reduce the working depth and increase the forward speed. The type of soil and working conditions will determine the actual setting of the depth bar and the handle pressure required.

If the tines stop rotating or the belt slips, stop the engine and examine the tine area for a rock or some object that may be jamming the tines and prevent them from turning. Reversing the tiller will usually free the object.

NOTE

If the tines tend to bounce instead of cutting into the soil, one or more sets of tines may be on backwards. The cutting edge of the tines should enter the soil first.

- Step 6. To reverse the direction of rotation of the tines, pull the control lever into the reverse position. The control lever must be held in reverse. See figure 9.

b. Oil Change

To avoid spilling gasoline on your lawn or driveway, plan to change the oil when the gasoline tank and carburetor are empty.

After the first two hours of operating a new engine, drain the oil from the crankcase while the engine is still hot and refill the crankcase with new oil; thereafter change the oil after every 25 hours of operation. This procedure ensures for minimum wear of engine parts and provides for virtually trouble-free operation. To change the oil, proceed as follows:

- Step 1. With the machine on level ground, place a suitable metal container under the oil drain plug, then remove the drain plug. See figure 12.

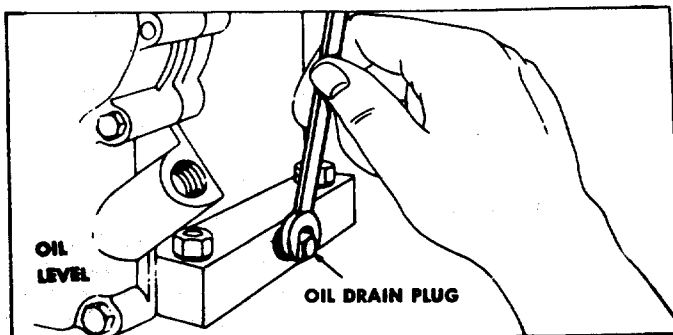


FIGURE 14. OIL DRAIN

- Step 2. After the oil has been drained completely from the crankcase, replace the drain plug and tighten.

- Step 3. With the tiller on level ground, remove the oil filler plug (See figure 16). Fill the crankcase until the oil overflows from the oil fill hole. Fill slowly to avoid air locks. The crankcase should hold approximately 2¾ pints of SAE 30 type MS engine oil. Replace the oil filler plug.

CHAIN CASE LUBRICATION

The chain is permanently lubricated and requires no further lubrication unless the case is disassembled for repair.

If the case is disassembled, clean the chain with kerosene, allow it to dry and work a high temperature grease, such as Lubriplate No. 310 into the chain.

NOTE

A 4 oz. container of Lubriplate No. 310 is available under part number 727-0136.

CHAIN ADJUSTMENT

No chain adjustment is necessary.

AIR FILTER

Under normal operating conditions, the air cleaner, located on top of the carburetor, must be serviced after every ten hours of use. Under extremely dusty operating conditions, the air cleaner must be serviced after every hour of operation. See figure 15.

- Step 1. Remove the wing nut and cover.
- Step 2. Remove the paper element from the support base.
- Step 3. To clean, tap the paper element (either top or bottom) on a flat surface or wash in a non-susding detergent and flush from the inside until the water is clear. After washing, air dry thoroughly before using.



FIGURE 15. AIR CLEANER

CLEANING ENGINE AND TINE AREA

Any fuel or oil spilled on the tiller should be wiped off promptly. Dirt, leaves and other debris must not be left to accumulate around the cooling fins or the engine or on any part of the tiller. Clean the under side of the tine shield after each use. The dirt washes off the tine easier if washed off immediately instead of after it dries.

The blower housing is held in place with three screws. One on the top of the engine and two on the bottom. See figure 16.

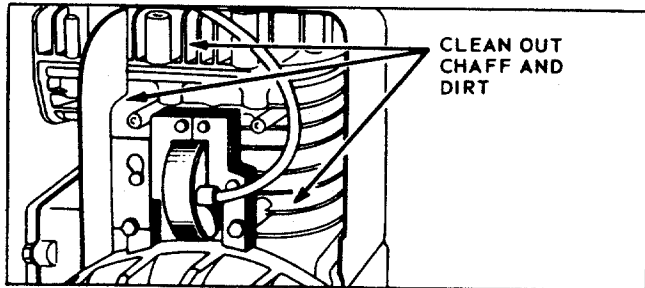


FIGURE 16. COOLING FINS

BELTS

Check that belts are free of oil or dirt. Wipe the belts periodically with a clean rag.

SPARK PLUG

The spark plug gap should be cleaned and reset to a 0.030-inch clearance every 25 hours of engine operation (See figure 17). Spark plug replacement is recommended at the start of each tiller season; check engine parts list for correct plug type.

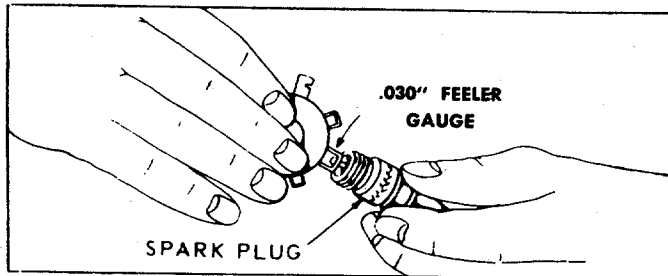


FIGURE 17. SPARK PLUG

GASOLINE FILTER AND SHUT-OFF VALVE

Refer to figure 18.

- Step 1. Close the shut-off valve.
- Step 2. Loosen the thumb screw below the bowl.
- Step 3. Remove and clean the screen.
- Step 4. Open the shut-off valve to see if gasoline flows freely from the gasoline tank.
- Step 5. Clean the bowl and screen. Use alcohol or acetone to clean the parts if you find a gummy, varnish-like substance in the bowl.
- Step 6. Reassemble.
- Step 7. Open the shut-off valve.

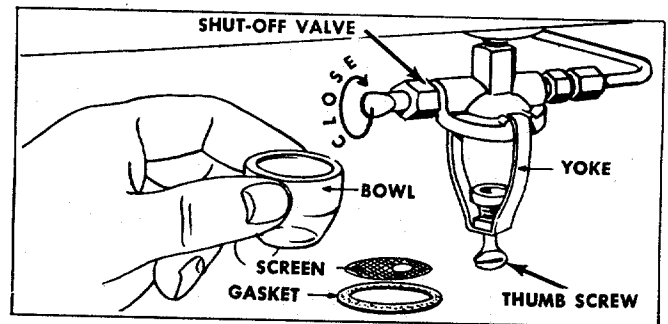


FIGURE 18. GASOLINE FILTER AND SHUT-OFF

BELT ADJUSTMENT

How to adjust:

- Step 1. Remove the belt cover as shown in figure 18.
- Step 2. Start the engine according to the instructions on page 7.
- Step 3. Tip the tiller back on its wheels until the tines clear the ground.
- Step 4. Move the control lever into number four position.

NOTE

The inside belt should move to the outside edge of the variable speed pulley so the top of the belt is almost flush with the pulley. See figure 19.

- Step 5. If adjustment is necessary, adjust the control rod by screwing it in or out of the ferrule as necessary. See figure 20.

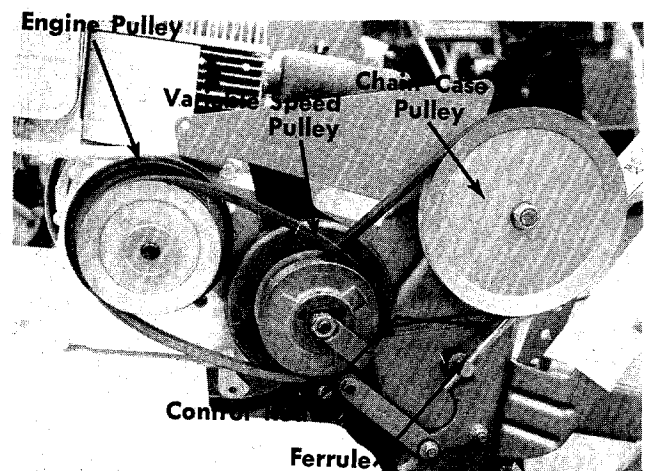


FIGURE 19. DRIVE SYSTEM

CAUTION

With the belt cover removed your unit will not have a neutral. The tines will always turn. You must hold the tines off the ground either by having someone else hold the handle down or by placing the handles under something solid such as a work bench while you start the engine.

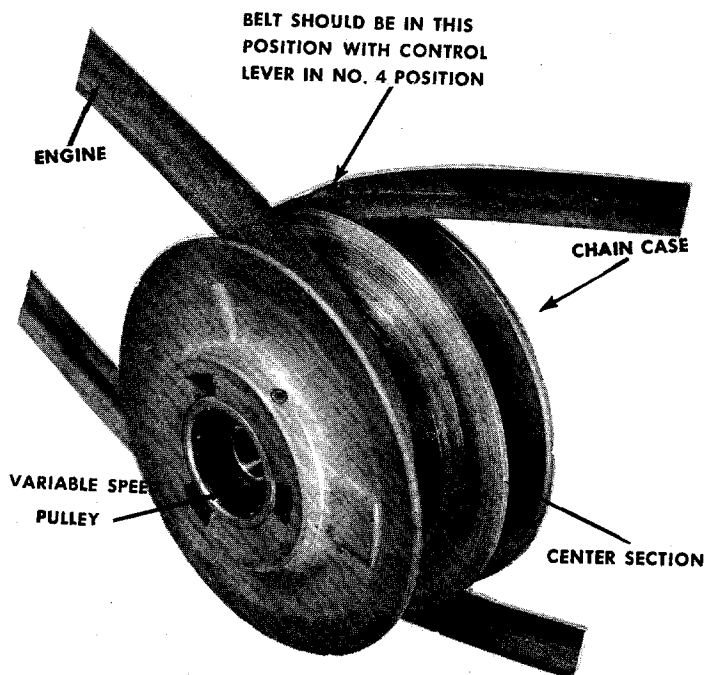


FIGURE 20. VARIABLE SPEED PULLEY

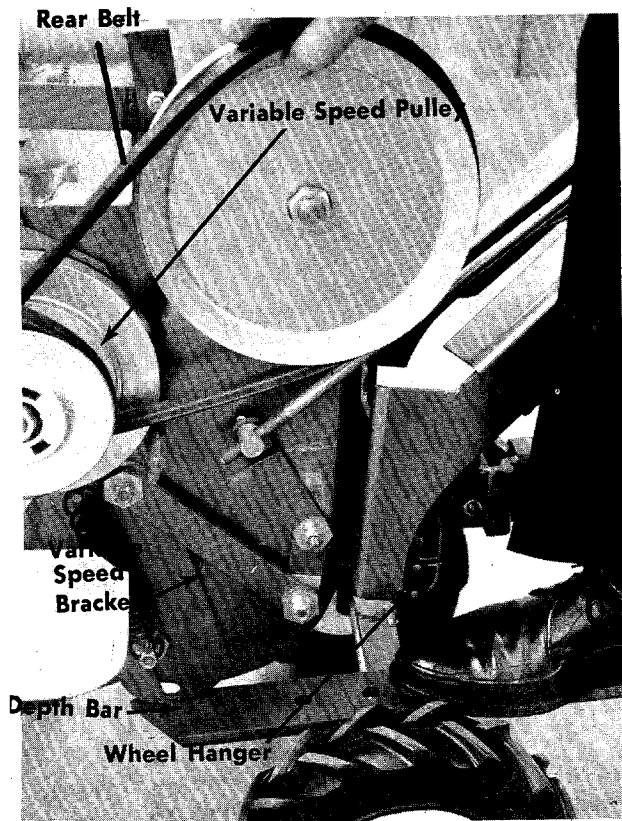


FIGURE 21. BELT REMOVAL

BELT REPLACEMENT

CAUTION

Be careful not to pinch your fingers between the pulley and belt.

- Step 1. Remove the belt cover so the belts are exposed as shown in figure 19.
- Step 2. Put the depth bar on the wheel hanger and place the tip of the depth bar under the variable speed pulley bracket as shown in figure 21.
- Step 3. Place your foot on the rear of the depth bar and apply pressure. The belts will go slack.
- Step 4. Remove the REAR belt first and allow it to form a loop around the variable speed pulley.
- Step 5. Slide the center section of the variable speed pulley towards the engine. See figure 19.
- Step 6. Remove the FORWARD belt from the engine pulley and the variable speed pulley.

NOTE

By following this order of belt removal, it is not necessary to remove the belt guard on the variable speed pulley.

- Step 7. Remove the rear belt from the variable speed pulley.
- Step 8. Reassemble with the new belts.

CARBURETOR ADJUSTMENT See figure 22.

Minor carburetor adjustment may be required to compensate for differences in fuel, temperature, altitude and load. To adjust:

- Step 1. Turn needle valve clockwise until it just closes.

CAUTION

Valve may be damaged by turning too far.

- Step 2. Open needle valve 1½ turns counterclockwise.
- Step 3. Close the idle valve in the same manner and open 1½ turns.
- Step 4. Start the engine.
- Step 5. Turn the needle valve in until the engine misses,
- Step 6. Then turn it out past smooth operating point until the engine runs unevenly.
- Step 7. Turn the needle valve mid-point between the two settings so the engine runs smoothly.
- Step 8. Set the throttle in the idle (slow) position and set the idle speed adjusting screw until a fast idle is obtained.
- Step 9. With the throttle still in the idle position, turn the idle valve in and out until the engine idles smoothly.

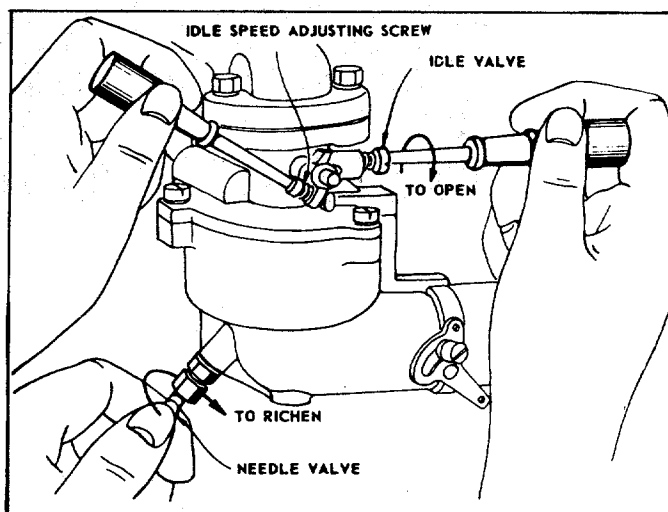


FIGURE 22. CARBURETOR ADJUSTMENT

ADJUSTING THE CARBURETOR CHOKE

Proper choke and stop switch operation is dependent upon proper adjustment of remote controls on the powered equipment.

To Check the Operation of the Choke:

- Step 1. Remove the air cleaner.
- Step 2. Push the throttle control all the way forward to the START position. See figure 10. The choke should be closed.
- Step 3. The engine should shut off when the throttle control is all the way back. (STOP position.)

To adjust:

Place remote control lever on equipment in fast (high speed) position. Loosen control casing clamp screw "B". Move control casing "A" and wire until lever "D" touches choke operating link at "C". Tighten casing clamp screw "B". Replace air cleaner. See figure 24.

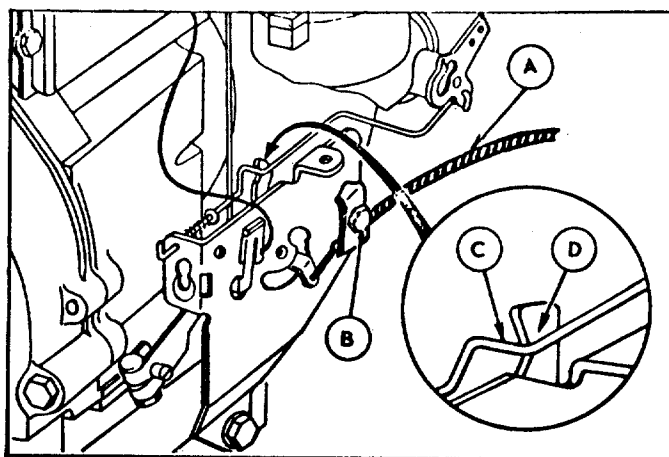


FIGURE 23. CHOKE ADJUSTMENT

OFF-SEASON STORAGE

If the machine is to be inoperative for a period longer than 30 days, the following precautions are recommended:

- Step 1. Working outdoors, drain all fuel from the fuel tank. Use a clean dry cloth to absorb the small amount of fuel remaining in the tank, then run the engine until all fuel in carburetor is exhausted.

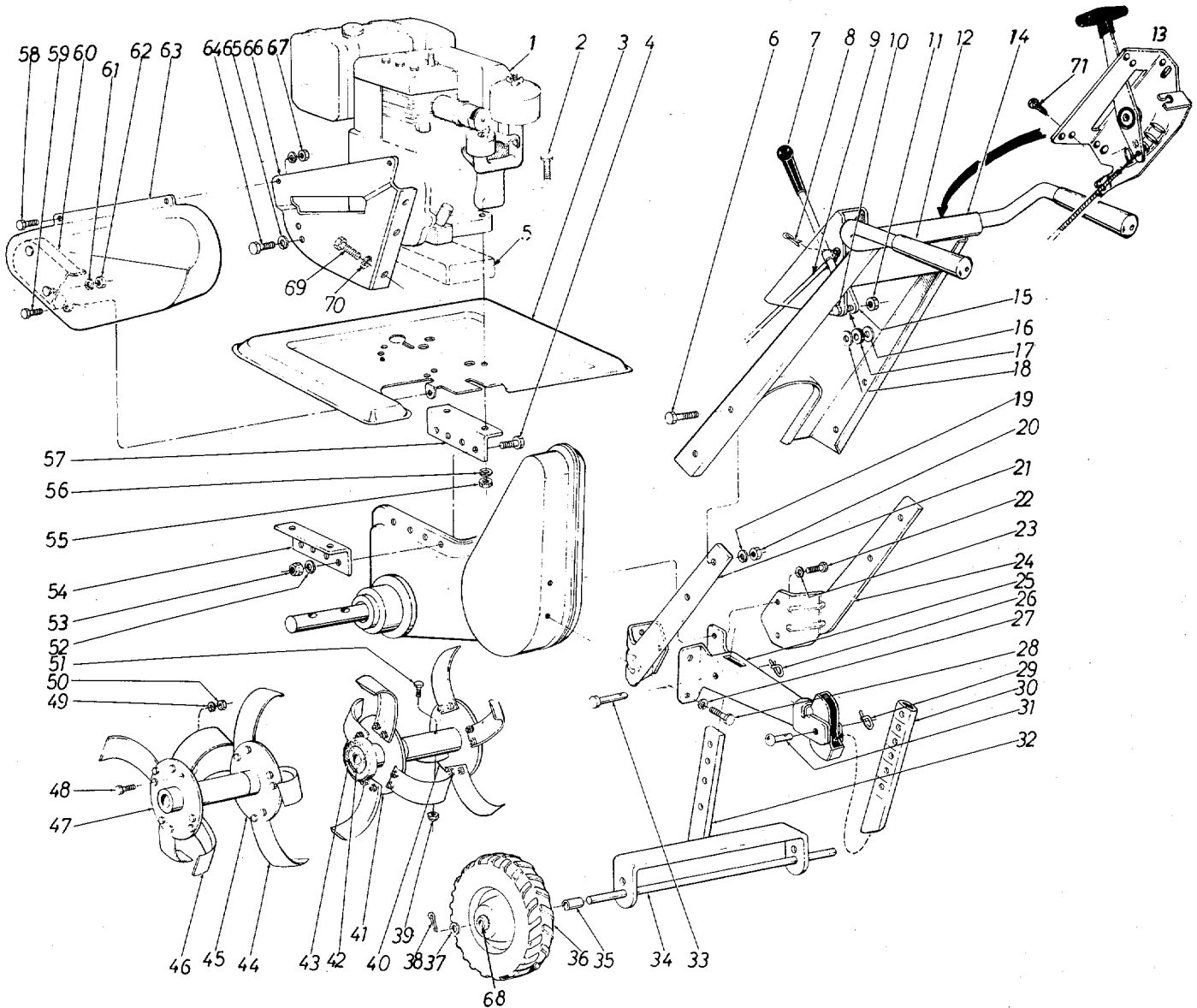


DO NOT DRAIN FUEL WHILE SMOKING, OR IF NEAR AN OPEN FIRE.

- Step 2. Drain all the oil from the crankcase (this should be done after the engine has been operated and is still warm) and refill the crankcase with clean new oil.
- Step 3. Disconnect the spark plug wire and remove the spark plug from the cylinder. Pour about six drops of engine oil into the cylinder, and then pull the recoil starter several times to spread the oil on the cylinder wall. Replace the spark plug, but DO NOT connect the wire.
- Step 4. Clean the engine and the entire tiller thoroughly.
- Step 5. Wipe tines with oiled rag to prevent rust.

215-390A 215-395A

IF YOU WRITE TO US ABOUT THIS ARTICLE
OR IF YOU ORDER REPLACEMENT PARTS AL-
WAYS MENTION THIS MODEL & SERIAL NO
MODEL



PARTS LIST FOR MODELS 215-390A AND 215-395A

REF. NO.	PART NO.	COLOR CODE	DESCRIPTION	NEW PART	REF. NO.	PART NO.	COLOR CODE	DESCRIPTION	NEW PART
1	—		Engine		33	711-0510		Clevis Pin	
2	710-0380		Hex Hd. Cap Scr. 5/16-18 x 1 3/4" Lg. (215-395A)		34	04451		Rear Axle	
	710-0176		Hex Hd. Cap Scr. 5/16-18 x 2 3/4" Lg. (215-390A)		35	711-0313		Spacer	
3	04524		Tine Shield		36	734-0575		Wheel Ass'y. Comp.	
4	710-0376		Hex Hd. Cap Scr. 5/16-18 x 1" Lg.*		37	736-0108		Flat Washer*	
5	04494		Engine Spacer Ass'y. (215-390A) Only)		38	714-0115		Cotter Pin 1/8 Dia. x 1" Lg.*	
6	710-0253		Hex Hd. Cap Scr. 3/8-16 x 1.00" Lg.*		39	712-0236		Hex Elastic Stop Nut 7/16-20 Thd.	
7	720-0143		Grip		40	04474-463		Outer Tine Adapter	
8	714-0507		Cotter Pin 3/32 x 3/4" Lg.*		41	04511-463		Inner Tine Adapter	
9	711-0422		Control Rod		42	721-0124		Dust Pad	
10	710-0528		Hex Hd. Cap Scr. 5/16-18 x 1 1/4" Lg.*		43	721-0125		Dust Pad	
11	712-0158		Hex Centerlock Nut 5/16-18 Thd.*		44	742-0113		Tine—R, H	
12	01166		Grip		45	04511-463		Inner Tine Adapter	
13	746-0242		Throttle Control Ass'y. Comp.		46	742-0113		Tine—L, H	
14	04625-463		Handle Ass'y.		47	04474-463		Outer Tine Adapter	
15	04525		Control Lever Ass'y.		48	710-0191		Hex Hd. Cap Scr. 3/8-24 x 1.25"*	
16	736-0264		Flat Washer*		49	736-0217		L-Washer for 3/8 Scr.*	
17	735-0126		Rubber Washer*		50	712-0241		Hex Nut 3/8-24 Thd.*	
18	736-0264		Flat Washer*		51	710-0483		Hex Hd. Cap Scr. 7/16-20 x 2 1/4" Lg.*	
19	736-0217		L-Washer 3/8 Scr.*		52	736-0119		L-Washer 5/16 Scr.*	
20	712-0798		Hex Nut 3/8-16 Thd.*		53	712-0158		Hex Center L-Nut 5/16-18 Thd.	
21	04506-463		Handle Mtg. Brkt. R, H		54	04519-463		Engine Mtg. Brkt.	
22	710-0152		Hex Hd. Cap Scr. 3/8-24 x 1" Lg.*		55	712-0158		Hex Center L-Nut 5/16-18 Thd.*	
23	736-0217		L-Washer 3/8 Scr.*		56	736-0119		L-Washer 5/16 Scr.*	
24	04505-463		Handle Mtg. Brkt. L, H.		57	04519-463		Engine Mtg. Brkt.	
25	04507-463		Tail Piece		58	710-0258		Hex Hd. Cap Scr. 1/4-20 x 5/8" Lg.*	
26	732-0194		Spring Pin		59	710-0252		Hex Hd. Cap Scr. 1/4-20 x 3/4" Lg.*	
27	736-0217		L-Wash. 3/8" Scr. H.D.		60	04516		Belt Guard	
28	710-0152		Hex Hd. Cap Scr. 3/8-24 x 1" Lg.*		61	736-0329		L-Washer 1/4" Scr.*	
29	732-0194		Spring Pin		62	712-0287		Hex Nut 1/4-20 Thd.*	
30	04668-463		Depth Bar	N	63	04537		Belt Trap Ass'y.	
31	711-0231		Clevis Pin		64	710-0121		Hex Hd. Cap Scr. 1/2-20 x 3/4" Lg.*	
32	04527-463		Wheel Hanger Brkt. Ass'y.		65	736-0921		L-Washer 1/2" Scr.*	
					66	04523		Variable Speed Guiding Brkt.	
					67	712-0287		Hex Nut 1/4-20 Thd.*	
					68	748-0147		Bushing	
					69	710-0180		Hex Scr. 3/8-24 x .75" Lg.*	
					70	736-0217		L-Wash. 3/8" Scr. H.D.	
					71	710-0227		Hex Wash. Hd. AB-Tapp Scr. #8 x .38" Lg.*	

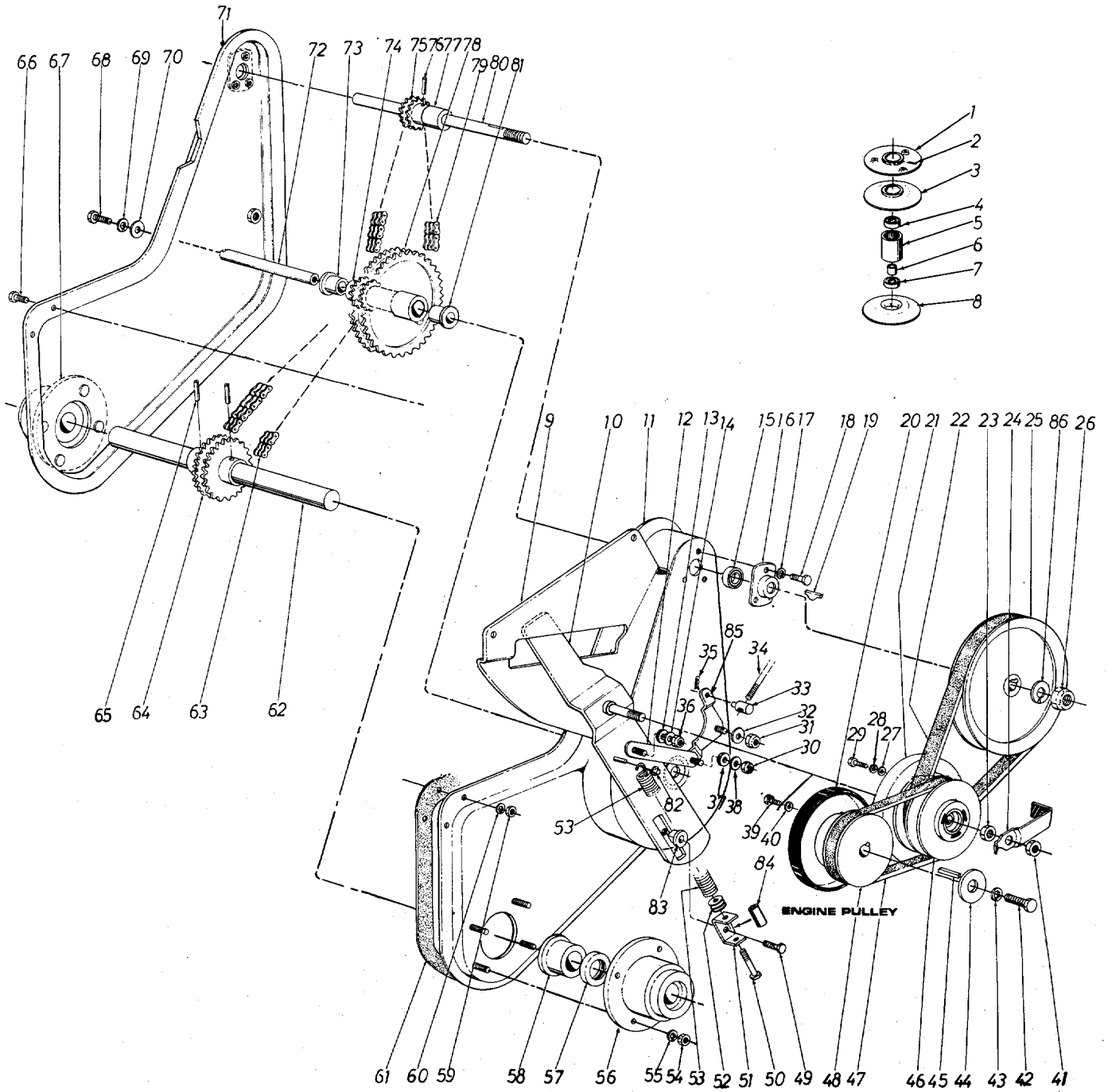
*For faster service obtain standard nuts, bolts, and washers locally. If these items cannot be obtained locally, order by part number and size as shown on parts list.

(463—Top Flite Red)

When ordering parts, if color or finish is important, use the appropriate color code shown at left. (e.g. Top Flite Red finish, 04625(463).)

215-390A 215-395A

IF YOU WRITE TO US ABOUT THIS ARTICLE
OR IF YOU ORDER REPLACEMENT PARTS AL-
WAYS MENTION THIS MODEL & SERIAL NO
MODEL



TINE ASSEMBLIES COMPLETE	
Inner Tine Assembly—L.H.—Complete	04541
Inner Tine Assembly—R.H.—Complete	04542
Outer Tine Assembly—L.H.—Complete	04095
Outer Tine Assembly—R.H.—Complete	04096

PARTS LIST FOR MODELS 215-390A AND 215-395A

REF. NO.	PART NO.	COLOR CODE	DESCRIPTION	NEW PART	REF. NO.	PART NO.	COLOR CODE	DESCRIPTION	NEW PART
1	10844		Sheave Half with 3 Holes		46	10843		Variable Speed Pulley Ass'y.	
2	715-0124		Spring Pin Spiral 5/32 Dia. x .62" Lg.		47	754-0157		"V"-Belt 21/32 x 28" Lg.—Spec.	
3	748-0181		Movable Sheave		48	04532		Engine Pulley Ass'y. (For 215-390A 5 H.P. Only)	
4	741-0139		Ball Brg. .50 I.D. x 1.38 O.D.			04531		Engine Pulley Ass'y. (For 215-395A 8 H.P. Only)	
5	750-0144		Steel Tubing		49	738-0138		Shoulder Bolt—Special	
6	750-0146		Spacer .520 I.D. x .692 O.D.		50	710-0380		Hex Hd. Cap Scr. 5/16-18 x 1 3/4" Lg.*	
7	741-0139		Ball Bearing .50 I.D. x 1.38 O.D.		51	11022		Spring Bracket	
8	748-0177		Sheave Half		52	711-0509		Spring Insert	
9	04523		Variable Speed Guiding Brkt.		53	732-0232		Variable Drive Spring	
10	04517-463		Variable Speed Brkt. Ass'y.		54	712-0158		Hex Center L-Nut 5/16-18 Thd.*	
11	04501-463		Housing Ass'y.—L.H. Side		55	736-0119		L-Washer 5/16 Scr.*	
12	11021-463		Eccentric Link		56	04530-463		Cast Bearing Housing Ass'y.	
13	735-0127		Rubber Washer		57	721-0117		Oil Seal 1 1/4" I.D. x 1 3/4" O.D.	
14	736-0300		Flat Washer		58	748-0194		Flange Brg. 1 1/4" I.D. x 1 3/4" O.D.	
15	741-0155		Ball Brg. 5/8 I.D. x 1 3/8 O.D.		59	712-0287		Hex Center L-Nut 1/4-20 Thd.*	
16	05034		Bearing Housing 1 3/8 Dia.		60	736-0329		L-Washer 1/4" Scr.*	
17	736-0329		L-Washer 1/4" Scr.*		61	721-0119		Gasket	
18	710-0258		Hex Hd. Cap Scr. 1/4-20 x 5/8" Lg.*		62	711-0506		Tine Shaft	
19	714-0136		Hi Pro Key #505		63	713-0150		#40-2 1/2 x 67 LINKS	
20	05080		Friction Wheel Ass'y.		64	717-0189		MASTER LINK	
21	04515		Friction Disc		65	715-0125		24-2 Teeth Sprocket 1/2" Pitch	
22	754-0158		"V"-Belt 21/32 x 35" Lg. Spec.		66	710-0258		Spirol Pin 3/8 Dia. x 2" Lg. H.D.	
23	712-0461		Hex Jam Nut 1/2-13 Thd.		67	04530-463		Hex Hd. Cap Scr. 1/4-20 x 5/8" Lg.*	
24	04510-463		Variable Speed Belt Guard		68	710-0118		Cast Bearing Housing Ass'y.	
25	756-0167		8" O.D. x 5/8 Split Pulley		69	736-0119		Hex Hd. Cap Scr. 5/16-18 x 3/4" Lg.*	
26	712-0221		Hex Elastic Stop Nut 5/8-18 Thd.		70	736-0195		L-Washer 5/16 Scr.*	
27	736-0204		Flat Washer		71	04503-463		Flat Washer	
28	736-0329		L-Washer 1/4" Scr.*		72	711-0504		Housing Ass'y.—R.H. Side	
29	710-0230		Hex Hd. Cap Scr. 1/4-28 x 1/2" Lg.		73	748-0855		Sprocket Shaft	
30	712-0116		Hex Elastic Stop Nut 3/8-24 Thd.		74	04529		Flange Bearing	
31	712-0116		Hex Elastic Stop Nut 3/8-24 Thd.		75	717-0188		Double Sprocket Ass'y.	
32	736-0300		Flat Washer		76	715-0120		11-2 Teeth Sprocket 3/8 Pitch	
33	711-0392		Ferrule		77	750-0118		Spirol Pin 3/16 Dia. x 1" Lg. H.D.	
34	711-0422		Control Rod		78	—		Spacer	
35	714-0115		Cotter Pin 1/8 Dia. x 1" Lg.*		79	713-0149		Part of Ref. No. 74	
36	712-0116		Hex Elastic Stop Nut 3/8-24 Thd.		80	711-0505		Roller Chain w/ master Link #35-2 3/8 x 92 LHM	
37	735-0127		Rubber Washer		81	748-0855		#35-2 x 36 3/4" Lg. MASTER LINK	
38	736-0300		Fl.-Wash.		82	726-0106		Pulley Shaft	
39	710-0118		Hex Hd. Cap Scr. 5/16-18 x 3/4" Lg.		83	748-0180		Flange Bearing	
40	736-0119		L-Washer 5/16 Scr.*		84	750-0166		Push Nut	
41	712-0461		Hex Jam Nut 1/2-13 Thd.		85	04521		Pivot Slide	
42	710-0152		Hex Hd. Cap Scr. 3/8-24 x 1" Lg. H.T.		86	730-0158		Spacer	
43	736-0217		Spring L-Wash. 3/8 Scr. H.D.					Link Brkt. Ass'y.	
44	07386		Flat Washer					L-Wash. 5/8" Scr.*	
45	714-0133		Sq. Key 3/16 x 1 1/2" Lg.* (215-390A)						
	714-0118		Sq. Key 1/4 x 1 1/2" Lg.* (215-395A)						

*For faster service obtain standard nuts, bolts, and washers locally. If these items cannot be obtained locally, order by part number and size as shown on parts list.

(463—Top Flite Red)

When ordering parts, if color or finish is important, use the appropriate color code shown at left. (e.g. Top Flite Red finish, 04625(463).)

PARTS INFORMATION

DEFECTIVE OR MISSING PARTS must be reported to the factory immediately. Such claims must include your model number and date of purchase.

POWER EQUIPMENT PARTS AND SERVICE

Parts and service for all MTD manufactured power equipment are available through the authorized service firms listed below. All orders should specify the model number of your unit, parts numbers, description of parts and the quantity of each part required.

A 1 Engine & Mower Co.
327 East 9th Street
Salt Lake City, Utah 84102

Auto Electric & Carburetor Co.
2525 4th Avenue, S.
P. O. Box 1948
Birmingham, Alabama 35233

Automotive Equipment Service Co.
3117 Holmes Street
Kansas City, Missouri 64109

Bailey's Rebuild Inc.
1325 E. Madison Street
Seattle Washington 98102

Bleckie, Inc.
7900 Lorain Avenue
Cleveland, Ohio 44102

Brown Equipment Distributor Inc.
110 Beech Street
Corydon, Indiana 47112

Bullard Supply
2409 Commerce Street
Houston, Texas 77003

Catto & Putty, Inc.
P. O. Box 2408
510 Soledad Street
San Antonio, Texas 78205

Center Supply Company
6867 New Hampshire Avenue
Takoma Park, Maryland 20012

Dixie Sales Company
P. O. Box 1408
327 Battleground Avenue
Greensboro, North Carolina 27402

East Point Cycle & Key Shop
1617 Whiteway
East Point, Georgia 30044

Gamble Distributors
West End Avenue
Carthage, New York 13619

Garden Equipment Co., Inc.
6600 Cherry Avenue
Long Beach, California 90805

Gardenville Supply, Inc.
Pipersville, Pennsylvania 18947

Henry W. O'Neil & Assoc., Inc.
410 North Goodman Street
Rochester, New York 14609

Henzler, Inc.
2015 Lemay Ferry Road
St. Louis, Missouri 63125

Kenton Supply
8216 North Denver Avenue
Portland, Oregon 97217

Kimber's Inc.
115 W. Geddes St.
Syracuse, New York 13204

Marr Brothers
423 E. Jefferson
Dallas, Texas 75203

McClure Lawn & Garden Supply
1114 Lexington Avenue
Mansfield, Ohio 44907

Memphis Cycle & Supply Co.
421 Monroe Avenue
Memphis Tennessee 38103

Morton B. Collins Co.
300 Birnie Avenue
Springfield, Massachusetts 01107

Moz-All of Florida, Inc.
365 Greco Avenue
Coral Gables, Florida 33146

National Central
687 Seville Rd.
Wadsworth, Ohio 44281

Parts & Sales Inc.
2101 Industrial Pkwy.
Elkhart, Indiana 46514

Power Equipment Distributor
36463 So. Gratiot Avenue
Mt. Clemens, Michigan 48043

Power Lawn & Garden Equip. Co.
2551-2571 J. F. Kennedy Road
Dubuque, Iowa 52001

Radco Distributors
2403 Market Street
P. O. Box 3216
Jacksonville, Florida 32206

Raub Supply Company
James & Mulberry Sts.
Lancaster, Pennsylvania 17604

Richmond Battery & Ignition
P. O. Box 25369 - 957 Myers St.
Richmond, Virginia 23260

R. P. W., Inc.
623 S. 16th Street
Omaha, Nebraska 68102

Smith Hardware Company
515 N. George Street
Goldsboro, North Carolina 27530

South Denver Lawn Equip. Co.
527 West Evans
Denver, Colorado 80223

Suhren Engine
8330 Earhart Blvd.
New Orleans, Louisiana 70118

Sutton's Lawn Mower Shop
Route 4, Box 343
North Little Rock, Arkansas 72117

Warner Equipment
7520 Lyndale Avenue, So.
Minneapolis, Minnesota 55423

Woodson Sales & Service
1702 North Sylvania
Ft. Worth, Texas 76111

WARRANTY PARTS AND SERVICE POLICY

The purpose of warranty is to protect the customer from defects in workmanship and materials, defects which are NOT detected at the time of manufacture. It does not provide for the unlimited and unrestricted replacement of parts. Use and maintenance are the responsibility of the customer. The manufacturer cannot assume responsibility for conditions over which it has no control. Simply put, if it's the manufacturer's fault, it's the manufacturer's responsibility; if it's the customer's fault, it's the customer's responsibility.

CLAIMS AGAINST THE MANUFACTURER'S WARRANTY INCLUDES

1. Replacement of Missing Parts on new equipment.
2. Replacement of Defective Parts within the warranty period.
3. Repair of Defects within the warranty period.

All claims MUST be substantiated with the following information:

1. Model Number of unit involved.
2. Date unit was purchased or first put into service.
3. Date of failure.
4. Nature of failure.

Free Manuals Download Website

<http://myh66.com>

<http://usermanuals.us>

<http://www.somanuals.com>

<http://www.4manuals.cc>

<http://www.manual-lib.com>

<http://www.404manual.com>

<http://www.luxmanual.com>

<http://aubethermostatmanual.com>

Golf course search by state

<http://golfingnear.com>

Email search by domain

<http://emailbydomain.com>

Auto manuals search

<http://auto.somanuals.com>

TV manuals search

<http://tv.somanuals.com>