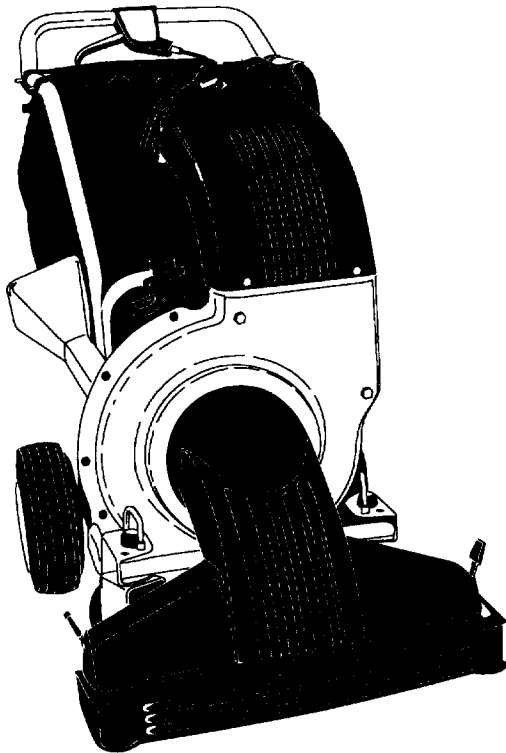


# OWNER'S GUIDE

• ASSEMBLY • OPERATION • MAINTENANCE •



(Model 203B Shown)

## CHIPPER- SHREDDER- VACUUM

Model Series

**103A**

(Push Model)

**203B**

(Self-Propelled Model)

### IMPORTANT!

Record the **Model No.** and **Mfg. Code** which appear on your unit in the space below. You **must** have these numbers, along with the date of purchase, in order to receive warranty or service.

MODEL NO.

SERIAL NO.

**Important:  
Read Safety Rules  
and Instructions Carefully**



Made  
in  
AMERICA

**WARNING:** This unit is equipped with an internal combustion engine and should not be used on or near any unimproved forest-covered, brush-covered or grass-covered land unless the engine's exhaust system is equipped with a spark arrester meeting applicable local or state laws (if any). If a spark arrester is used, it should be maintained in effective working order by the operator.


In the State of California the above is required by law (Section 4442 of the California Public Resources Code). Other states may have similar laws. Federal laws apply on federal lands. A spark arrester for the muffler is available through your nearest engine authorized service dealer or contact the service department, P.O. Box 368022, Cleveland, Ohio 44136-9722.

FORM NO. 770-0361M

# IMPORTANT

## SAFE OPERATION PRACTICES



THIS SYMBOL POINTS OUT IMPORTANT SAFETY INSTRUCTIONS WHICH, IF NOT FOLLOWED, COULD ENDANGER THE PERSONAL SAFETY AND/OR PROPERTY OF YOURSELF AND OTHERS. READ AND FOLLOW ALL INSTRUCTIONS IN THIS MANUAL BEFORE ATTEMPTING TO OPERATE YOUR CHIPPER-SHREDDER-VACUUM. FAILURE TO COMPLY WITH THESE INSTRUCTIONS MAY RESULT IN PERSONAL INJURY. WHEN YOU SEE THIS SYMBOL:  **HEED ITS WARNING.**



### **DANGER:**

Your chipper-shredder-vacuum was built to be operated according to the rules for safe operation in this manual. As with any type of power equipment, carelessness or error on the part of the operator can result in serious injury. This unit is capable of amputating fingers and hands and throwing objects. Failure to observe the following safety instructions could result in serious injury or death.



### **I. GENERAL OPERATION**

1. Read this owner's guide carefully in its entirety before attempting to assemble this machine. Read, understand, and follow all instructions on the machine and in the manual(s) before operation. Be completely familiar with the controls and the proper use of the machine before operating it. Keep this manual in a safe place for future and regular reference and for ordering replacement parts.
2. Your chipper-shredder-vacuum is a powerful tool, not a plaything. Therefore, exercise extreme caution at all times. Your unit has been designed to perform two jobs; to chip and vacuum vegetation found in a normal yard. Do not use it for any other purpose.
3. Never allow children under 16 to operate the unit. Children 16 years and older should only operate under close parental supervision. Only responsible individuals who are familiar with these rules of safe operation should be allowed to use your unit.
4. Keep the area of operation clear of all persons, particularly small children and pets. Stop the engine when they are in the vicinity of the unit. When chipping, keep work area clear of branches or obstacles which could cause you to stumble and fall.
5. When feeding material into this equipment, be extremely careful that pieces of metal, rocks, bottles, cans or other foreign objects are not included. Personal injury or damage to the machine could result.
6. Always wear safety glasses or safety goggles, during operation and while performing an adjustment or repair, to protect eyes from foreign objects that may be thrown from the machine.
7. Wear sturdy, rough-soled work shoes and close fitting slacks and shirt. Shirt and slacks that cover the arms and legs and steel-toed shoes are recommended. Do not wear loose fitting clothes or jewelry and secure hair so it is above shoulder length. They can be caught in moving parts. Never operate a unit in bare feet, sandals or sneakers. Wear gloves when feeding material in the chipper chute.
8. Do not operate the unit while under the influence of alcohol or drugs.
9. Do not overreach. Keep proper footing and balance at all times.
10. Never place your hands or any part of your body or clothing near or under rotating parts. Keep clear of the discharge opening at all times. Never insert your hands or any part of your body or clothing into the nozzle, chipper chute or discharge opening as the rotating impeller can cause serious injury.
11. If it is necessary for any reason to unclog the feed intake or discharge openings or to inspect or repair any part of the machine where a moving part can come in contact with your body or clothing, stop the machine, allow it to cool, disconnect the spark plug wire from the spark plug and move it away from the spark plug before attempting to unclog, inspect or repair.
12. Never operate unit without vacuum bag and discharge chute properly affixed to unit. Large zippered end of bag must be closed to prevent objects from being blown out.
13. Never operate unit without either the inlet nozzle or optional hose attachment properly affixed to unit. These devices shield the operator from accidental contact with the rotating impeller. Never attempt to convert the unit from nozzle to hose mode or vice versa with the engine running.
14. Never attempt to remove or empty vacuum bag when engine is running. Shut the engine off and wait for the impeller to come to a complete stop before removing the bag. The impeller continues to rotate for a few seconds after the engine is shut off. Never place any part of the body in the impeller area until you are sure the impeller has stopped rotating.
15. Keep all guards and safety devices in place and operating properly.
16. Do not allow an accumulation of processed material to build-up in the discharge area as this will prevent proper discharge and can result in kick-back from the chipper chute.
17. Keep your face and body back from chipper chute to avoid accidental bounce back of any material.
18. If the cutting mechanism strikes a foreign object or if your machine should start making an unusual noise or vibration, immediately stop the engine, disconnect the spark plug wire and move the wire away from the spark plug. Allow the machine to stop and take the following steps.
  - Inspect for damage.
  - Repair or replace any damaged parts.
  - Check for any loose parts and tighten to assure continued safe operation.
19. Muffler and engine become hot and can cause a burn. Do not touch.
20. Do not allow leaves or other debris to build-up on engine's muffler. The debris could ignite and cause a fire.
21. Do not operate engine if air cleaner or cover over carburetor air-intake is removed, except for adjustment. Removal of such parts could create a fire hazard.
22. Only operate unit in good daylight. Do not operate unit at night or in dark areas where your vision may be impaired.
23. Only use accessories approved for this machine by the manufacturer. Read, understand, and follow all instructions provided with the approved accessory.
24. If situations occur which are not covered by this manual, use care and good judgment. Contact your dealer for assistance.



### **II. CHILDREN**

- Tragic accidents can occur if the operator is not alert to the presence of small children. Children are often attracted to the chipping and vacuuming activity. Never assume that children will remain where you last saw them.
1. Keep children out of the work area and under the watchful eye of a responsible adult other than the operator.
  2. Be alert and turn the unit off if a child enters the area.
  3. Never allow children under the age of 16 to operate the chipper-shredder-vacuum.

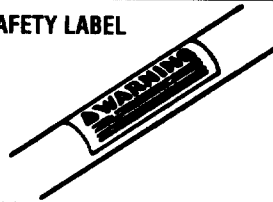
### III. SERVICE

1. Use extreme care in handling gasoline and other fuels. They are extremely flammable and the vapors are explosive.
  - a. Store fuel and oil in approved containers, away from heat and open flame, and out of the reach of children.
  - b. Check and add fuel before starting the engine. Never remove gas cap or add fuel while the engine is running. Allow engine to cool at least two minutes before refueling.
  - c. Replace gasoline cap securely and wipe off any spilled gasoline before starting the engine as it may cause a fire or explosion.
  - d. Extinguish all cigarettes, cigars, pipes and other sources of ignition.
  - e. Never refuel unit indoors because flammable vapors will accumulate in the area.
  - f. Never store the machine or fuel container inside where there is an open flame or spark such as a gas hot water heater, clothes dryer or furnace.
2. Never run your machine in an enclosed area as the exhaust from the engine contains carbon monoxide, which is an odorless, tasteless and deadly poisonous gas.
3. To reduce fire hazard, keep engine and muffler free of leaves, grass, and other debris build-up. Clean up fuel and oil spillage. Allow unit to cool at least 5 minutes before storing.
4. Before cleaning, repairing, or inspecting, make certain the impeller and all moving parts have stopped. Disconnect the spark plug wire and keep wire away from spark plug to prevent accidental starting. Do not use flammable solutions to clean air filter.
5. Keep all nuts, bolts, and screws tight to be sure the equipment is in safe working condition.
6. Never tamper with safety devices. Check their proper operation regularly.
7. After striking a foreign object, immediately stop the engine, disconnect the spark plug wire from the spark plug, and thoroughly inspect the unit for any damage. Repair damage before starting and operating unit.
8. Do not alter or tamper with the engine's governor setting. The governor controls the maximum safe operating speed of the engine. Over-speeding the engine is dangerous and will cause damage to the engine and to other moving parts of the machine.
9. Check the vacuum bag frequently for wear. Replace if worn or damaged.
10. Keep vacuum bag free of debris when not in use.

**OWNER'S  
MANUAL**



**SAFETY LABEL**



**WARNING — YOUR RESPONSIBILITY**

Restrict the use of this power machine to persons who read, understand and follow the warnings and instructions in this manual and on the machine.

# ASSEMBLY INSTRUCTIONS

**IMPORTANT:** This unit is shipped WITHOUT GASOLINE or OIL in the engine. After assembly, see separate engine manual for proper fuel and engine oil recommendations.

**NOTE:** To determine right and left hand sides of your chipper-shredder-vacuum, stand behind the unit, in the operating position.

## REMOVE CHIPPER-SHREDDER-VACUUM FROM CARTON

Remove staples, break glue on top flaps, or cut tape at carton end and peel along top flap to open carton. Remove loose parts included with unit (i.e., owner's manual, etc.). Cut along dotted lines and lay carton down flat. Remove packing material and roll unit out of carton. Check carton thoroughly for loose parts.

## LOOSE PARTS IN CARTON See figure 1.

- (1)-Nozzle
- (1)-Bag

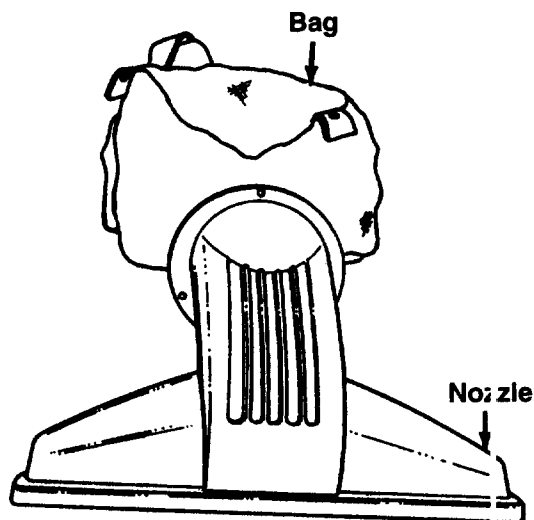


FIGURE 1.

## ATTACHING THE NOZZLE

Remove three wing nuts from the front of the chipper-shredder-vacuum. Place nozzle in position over the three studs. Secure with wing nuts just removed. See figure 2.

**NOTE:** The metal tab in the nozzle must depress the safety switch on the front of the chipper-shredder-vacuum or the engine will not start.

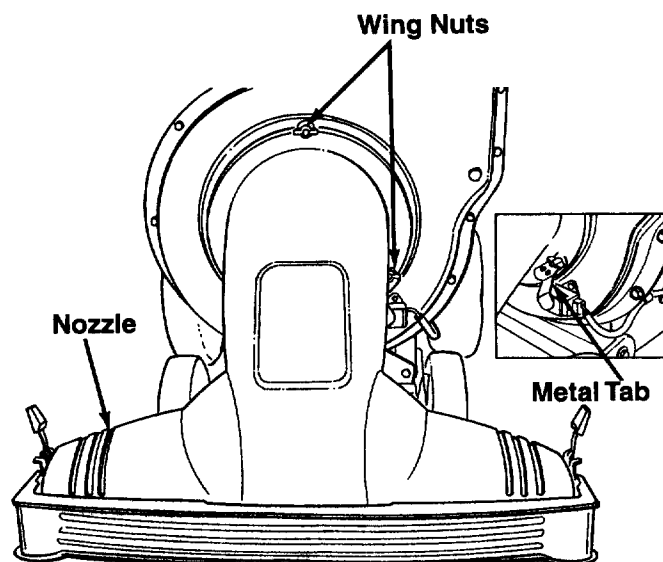


FIGURE 2.

## ATTACHING THE BAG

1. Place bag inside of handle assembly. Slip the opening on the bag over the discharge chute, making certain it is over the rib on the discharge chute.
2. Place the four straps on the top of the bag over upper handle, hooking them on studs.
3. Squeeze the clamp on the drawstring, and pull the drawstring tight. Release the clamp. See figure 3.

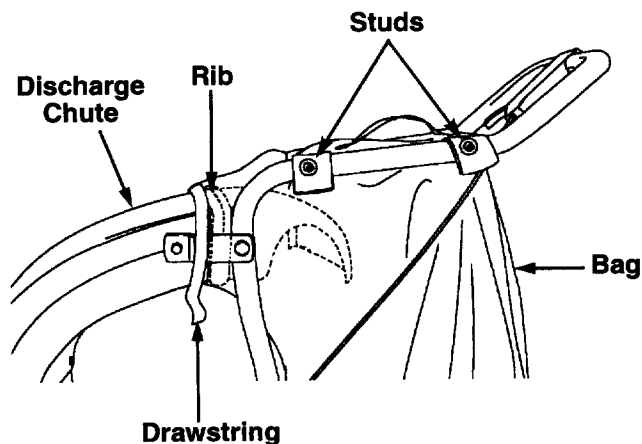


FIGURE 3.

BEFORE USING YOUR CHIPPER-SHREDDER-VACUUM, REFER TO THE "SAFETY RULES" ON PAGES 2 AND 3 OF THIS MANUAL. ALWAYS BE CAREFUL.



The operation of any chipper-shredder-vacuum can result in foreign objects being thrown into the eyes, which can damage your eyes severely. **Always wear the safety glasses provided with this unit or eye shields before chipping, or while performing any adjustments or repairs.** We recommend Wide Vision Safety Mask for over spectacles or standard glasses.

## OPERATION

**IMPORTANT:** Care should be taken not to shut off the engine or to run out of gasoline while operating the chipper-shredder-vacuum. Check the fuel level periodically to avoid running out of gasoline. Do not turn the engine off until all chipping is completed to avoid jamming. If the unit runs out of gas or is turned off while it is chipping or shredding it may be necessary to unclog the unit before it can be restarted. Refer to "Removing the flail screen" in the Maintenance section.

### CONTROLS

#### DRIVE CLUTCH CONTROL (Model 203B only)

Squeezing the drive clutch control engages the drive mechanism to the rear wheels. Releasing the clutch control stops the rear wheels from driving. Release the drive clutch control to slow down when negotiating an obstacle, making a turn or stopping. See figure 4.

Drive Clutch Control

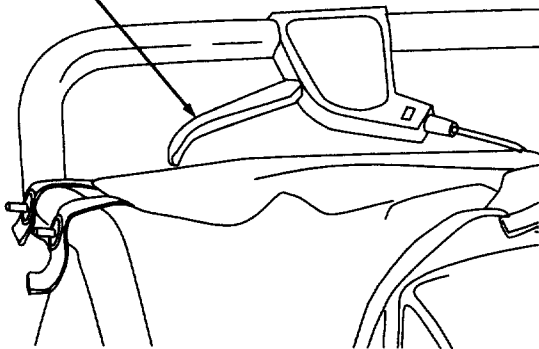


FIGURE 4.

#### GAS AND OIL FILL-UP

Service the engine with gasoline and oil as instructed in the separate engine manual packed with your chipper-shredder-vacuum. **Read instructions carefully.**

**NOTE:** Your chipper-shredder-vacuum is shipped without oil; however, a small amount of oil may be present from the factory. Do not overfill.



**WARNING:** Never fill fuel tank indoors, with engine running or while engine is hot. Do not smoke when filling fuel tank.

#### TO START ENGINE

**IMPORTANT:** If unit shows any sign of motion with the drive clutch control disengaged, shut engine off immediately. Readjust as instructed in the "Drive Clutch Cable Adjustment" in the Adjustment Instructions.



**WARNING:** Be sure no one other than the operator is standing near the chipper-shredder-vacuum while starting or operating. Do not operate this chipper-shredder-vacuum unless the nozzle, discharge chute and bag have been properly installed.

1. Attach spark plug wire to spark plug.
2. Make certain drive clutch control is in the disengaged (released) position.

Engines with choke lever:

3. Move choke lever on engine to CHOKE position. (A warm engine may not require choking.)

Engines with primer:

4. Prime engine as instructed in separate engine manual.
5. Move throttle control lever on engine to FAST position.
6. Place one foot on the left rear wheel to prevent the unit from skidding while starting.
7. Grasp starter handle and pull rope out slowly until engine reaches start of compression cycle (rope will pull slightly harder at this point). Let the rope rewind slowly.

**NOTE:** You may hear a noise when reaching the start of the compression cycle. This noise is caused by the flails and fingers, which are part of the shredding mechanism, falling into place, and should be expected. In addition, the flails and fingers will be noisy after the engine is started, until the impeller reaches full speed.

8. Pull rope with a rapid, continuous, full arm stroke. Keep a firm grip on starter handle. Let rope rewind slowly. Do not let starter handle snap back against starter.
9. Repeat instructions 7 and 8 until engine fires. When engine starts, move choke control (if so equipped) gradually to RUN position.

## TO STOP ENGINE

1. To stop engine, move throttle control lever to OFF position.
2. Disconnect spark plug wire and ground to prevent accidental starting while equipment is unattended.

**IMPORTANT:** Open the large zipper to empty the bag. Be certain the zipper is closed when operating the unit. See figure 5.

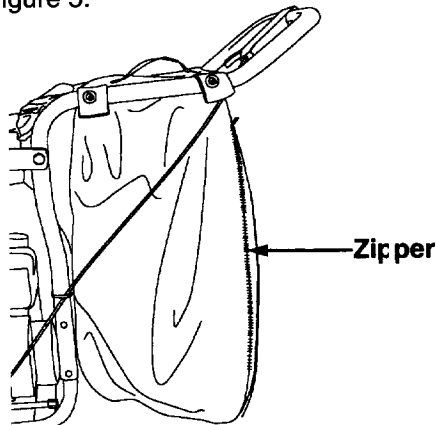


FIGURE 5.

## OPERATING THE CHIPPER

Do not attempt to shred or chip any material other than vegetation found in a normal yard (i.e., branches, leaves, twigs, etc.). Material such as stalks or heavy branches up to 2" in diameter may be fed into the chipper chute. See figure 6.

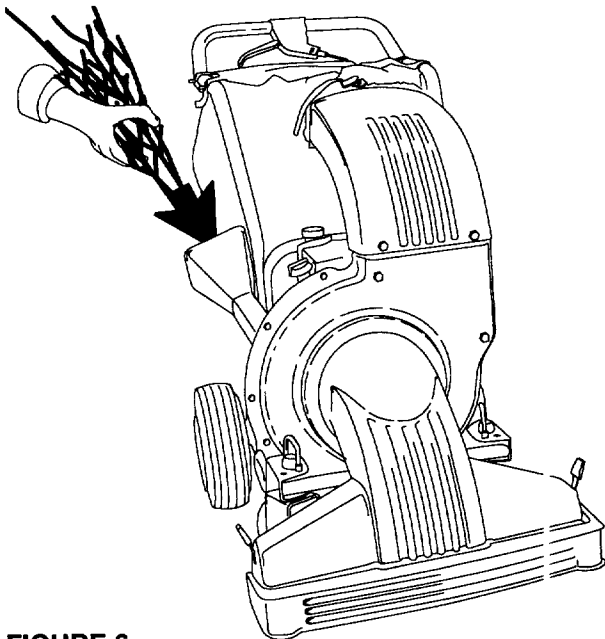


FIGURE 6.



**WARNING:** Material up to a maximum of 2" in diameter may be fed into the chipper chute. Do not attempt to shred or chip any material larger than 2" in diameter. Personal injury or damage to the machine could result.

**IMPORTANT:** There is a flail screen located inside the housing in the discharge area. If the flail screen becomes clogged, remove and clean as instructed in the Maintenance section on page 8. For best performance, it is important to keep the chipper blades sharp. Refer to Maintenance section, page 8. If the composition of the material being discharged changes (becomes stringy, etc.) or if the rate at which the material is discharged slows down considerably, it is likely that the chipper blades are dull and need to be sharpened or replaced.

## ADJUSTMENTS



**WARNING:** Do not at any time make any adjustment to the unit without first stopping engine and disconnecting spark plug wire.

### FRONT CASTER WHEELS

Your chipper-shredder-vacuum is equipped with caster front wheels. The casters can be locked in a straight ahead position or can be left to swivel freely. Lift and place pins in the larger holes for locked, straight ahead operation. Place pins in smaller holes to allow casters to rotate freely. See figure 7. Lock wheels in straight position when operating on slopes.

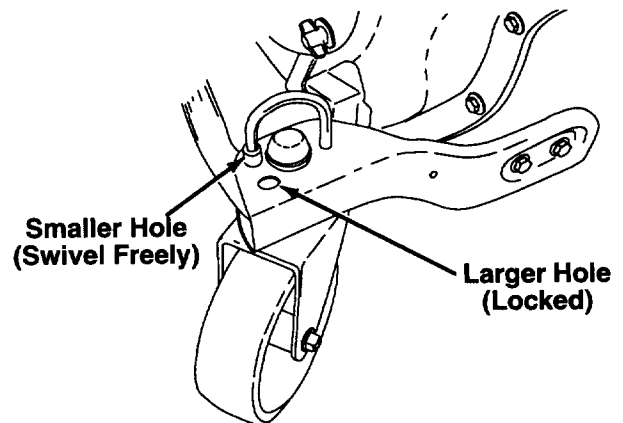


FIGURE 7.

### NOZZLE DOOR HEIGHT ADJUSTMENT

The nozzle door can be adjusted to any of five positions, ranging from 1/2" to 3" ground clearance. See figure 8. The nozzle door height has to be adjusted according to the conditions.

Slide the height adjustment lever forward or backward for adjusting the nozzle door upwards or downwards.

**NOTE:** In general, raise the nozzle height to vacuum a thick layer of leaves; lower the nozzle height for smoother surfaces.

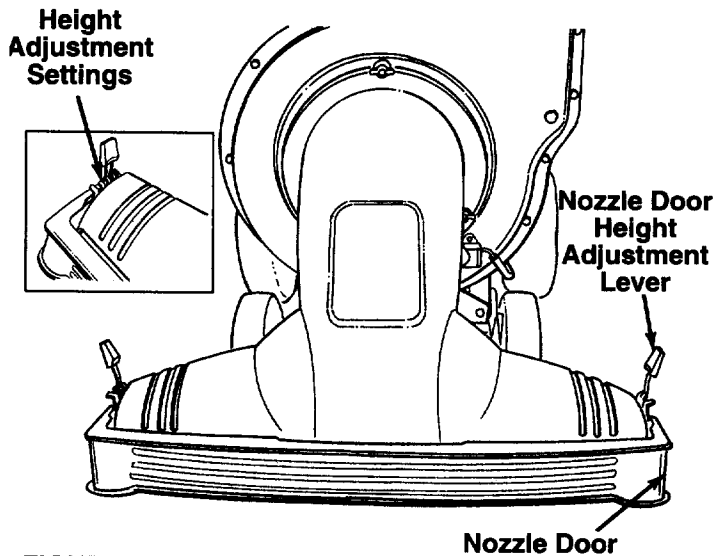


FIGURE 8.

Height must be adjusted equally and at the same time.

## CARBURETOR ADJUSTMENT



**WARNING:** If any adjustments are made to the engine while the engine is running (e.g., carburetor), keep clear of all moving parts. Be careful of heated surfaces and muffler.

Minor carburetor adjustment may be required to compensate for differences in fuel, temperature, altitude or load. Do not make unnecessary adjustments. Factory settings are satisfactory for most applications and conditions. If adjustment is needed, refer to the separate engine manual packed with your chipper-shredder-vacuum.

**NOTE:** A dirty air cleaner will cause engine to run rough. Be certain air cleaner is clean and attached to the carburetor before adjusting carburetor.

## DRIVE CLUTCH CABLE ADJUSTMENT (Model 203B only)

Adjust the drive clutch control if the chipper-shredder-vacuum moves forward with the drive clutch control disengaged, if the chipper-shredder-vacuum does not self-propel with the drive clutch control engaged, or if drive belt is slipping (unit hesitates while engine maintains the same speed).

Use the adjustment wheel located in the clutch control housing to tighten or loosen the drive belt. See figure 9.

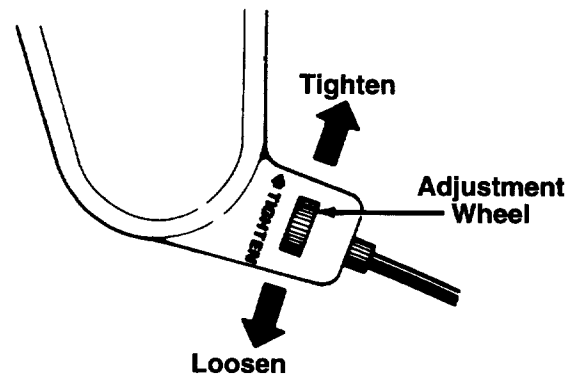


FIGURE 9.

In addition, the adjustment wheel may also be used to determine the position in which the drive clutch control is engaged. If it is more comfortable to have the drive engaged with the lever further away from the handle, tighten the drive belt.

## LUBRICATION

**Wheels-** Rear wheels are provided with light oil bearings. Place a few drops of SAE 30 oil on each bearing once a season.

**Front caster wheels-** Grease fittings are provided for easy lubrication of the swivel pins located on the front caster wheel.

**Nozzle door height adjustment levers-** Lubricate nozzle door height adjustment levers with light oil.

## MAINTENANCE



**WARNING:** Always stop engine and disconnect spark plug wire before cleaning, lubricating or performing any repairs or maintenance.

### CLEANING

Clean the chipper-shredder-vacuum thoroughly after each use. Wash the bag periodically with water. Allow to dry thoroughly in the shade. Do not use heat.

### ENGINE

Refer to the separate engine manual for engine maintenance instructions.

Maintain **engine oil level** as instructed in the separate engine manual packed with your unit. Read and follow instructions carefully.

Service **air cleaner** every 25 hours under normal conditions. Clean every few hours under extremely dusty conditions. Poor engine performance and flooding usually indicates that the air cleaner should be serviced. To service the air cleaner, refer to the separate engine manual packed with your unit.

The **spark plug** should be cleaned and the gap reset once a season. Spark plug replacement is recommended at the start of each season; check engine manual for correct plug type and gap specifications.

Clean the engine regularly with a cloth or brush.

Keep the cooling system (blower housing area) clean to permit proper air circulation which is essential to engine performance.

Be certain to remove all dirt and combustible debris from muffler area.

### REMOVING THE FLAIL SCREEN

If the discharge area becomes clogged, remove the flail screen and clean area as follows.

1. Stop the engine. Make certain the chipper-shredder-vacuum has come to a complete stop. Disconnect the spark plug wire before unclogging the discharge chute.
2. Remove the vacuum bag from the unit.
3. Remove the four self-tapping screws from the bottom of the discharge chute, and the hex bolt, flat washer and hex nut from the top. Remove the discharge chute assembly. See figure 10.

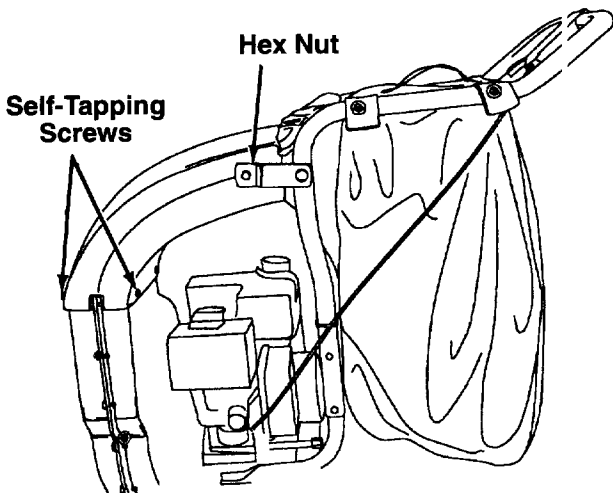


FIGURE 10.

4. Remove the two hex bolts and hex nuts which extend through the housing. Lift the flail screen from inside the housing. See figure 11.

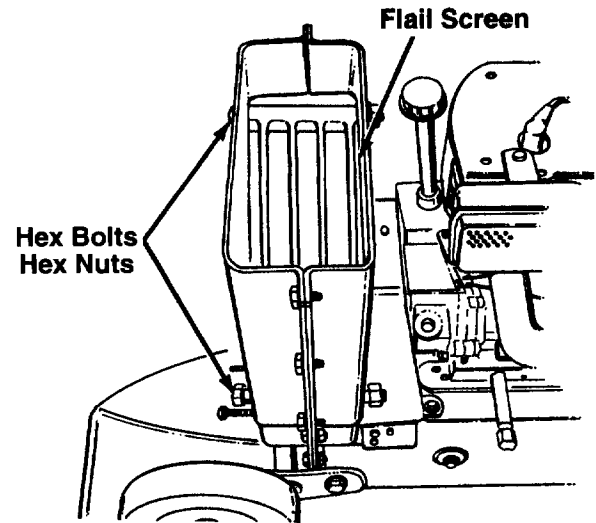


FIGURE 11.

5. Clean the screen by scraping or washing with water. Reinstall the screen.

**NOTE:** Be certain to reassemble the flail screen with the curved side down as shown in figure 11.

### SHARPENING OR REPLACING CHIPPER BLADES

1. Disconnect the spark plug wire and ground it away from the spark plug.
2. Remove the flail screen as instructed in the previous section.
3. Remove the plastic belt cover on the front of the engine by removing the two self-tapping screws. See figure 12.

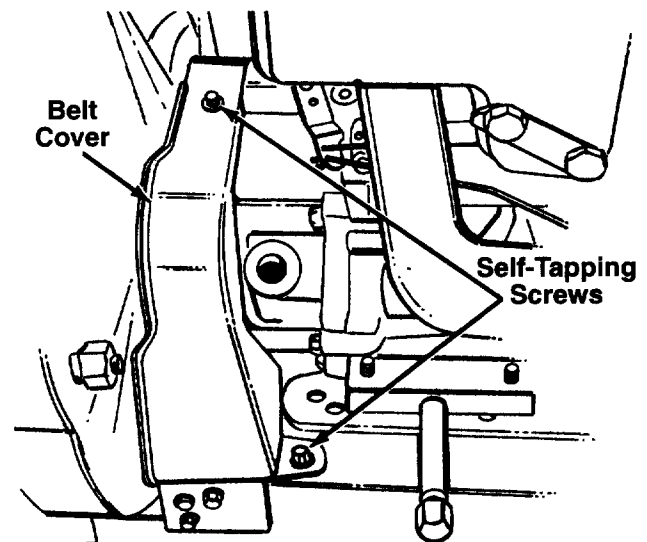


FIGURE 12.

4. Open access plate by removing the two hex lock nuts. See figure 13.



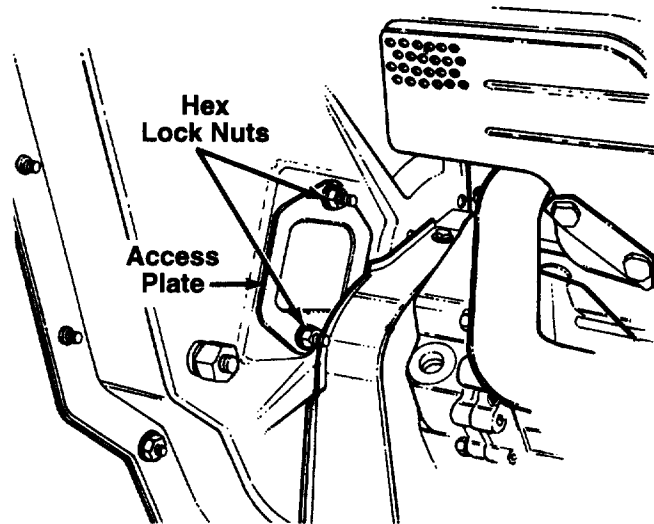


FIGURE 13.

5. Locate one of the chipper blades in the access plate opening by rotating the impeller assembly by hand. Remove the blade using a 3/16" allen wrench on the outside of the blade and 1/2" wrench on the impeller assembly, inside the housing.
6. Remove the other blade in the same manner. Replace or sharpen blades. If sharpening, make certain to remove an equal amount from each blade. Reassemble in reverse order.

**NOTE:** Make certain blades are reassembled with the sharp edge facing upward, as viewed from the access plate opening.

## BELT REMOVAL AND REPLACEMENT (Model 203B)

**Note:** Because the engine on this unit has a tapered crankshaft, a special impeller removal tool (part number 753-0638) is required to remove the impeller assembly in step 14. For help with this step, contact your local service dealer.



**WARNING:** Disconnect the spark plug wire and ground it away from the spark plug.

1. Disconnect the spark plug wire and ground it away from the spark plug.
2. Drain the gasoline and oil from the chipper-shredder-vacuum.
3. Remove the three wing nuts that secure the nozzle to the outer housing, and remove the nozzle. See figure 2.
4. Remove the bag from the chipper-shredder-vacuum.

5. Remove the four self-tapping screws that secure the discharge chute to the housing. See figure 14.
6. Remove the flange nut which secures the support bracket to the handle. See figure 14. Pivot support bracket up and remove discharge chute from unit.

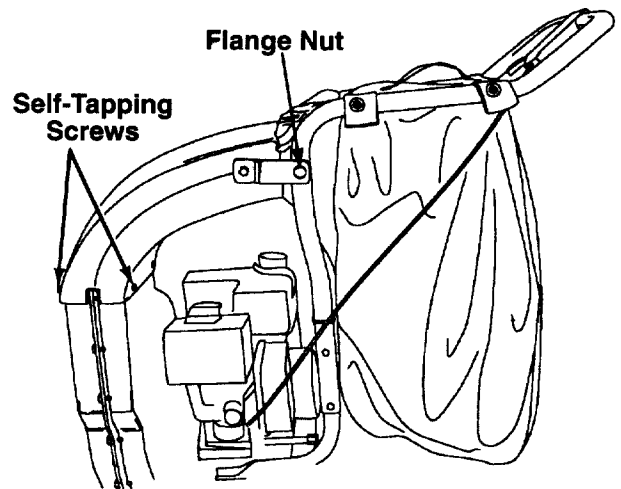


FIGURE 14.

7. Remove the two self-tapping screws that secure the plastic belt cover. See figure 12. Lift off belt cover.
8. Tip the unit backwards so that it rests on the handles.
9. Remove the lower belt guard by removing the two self-tapping screws. See figure 15.

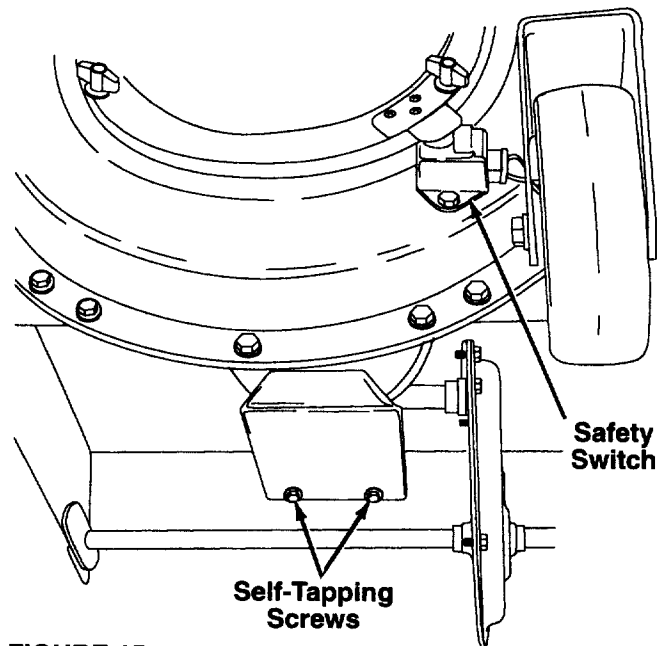
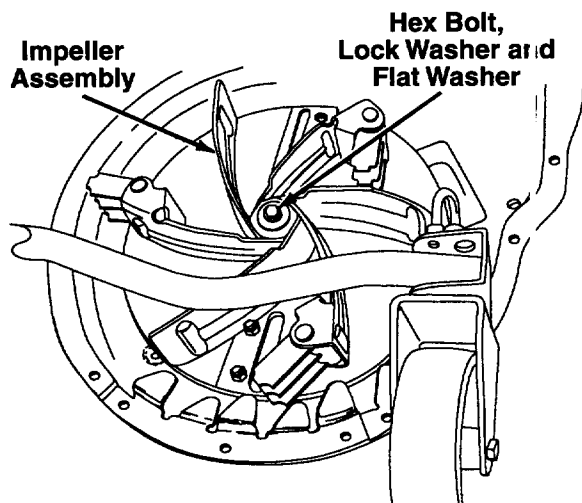


FIGURE 15.

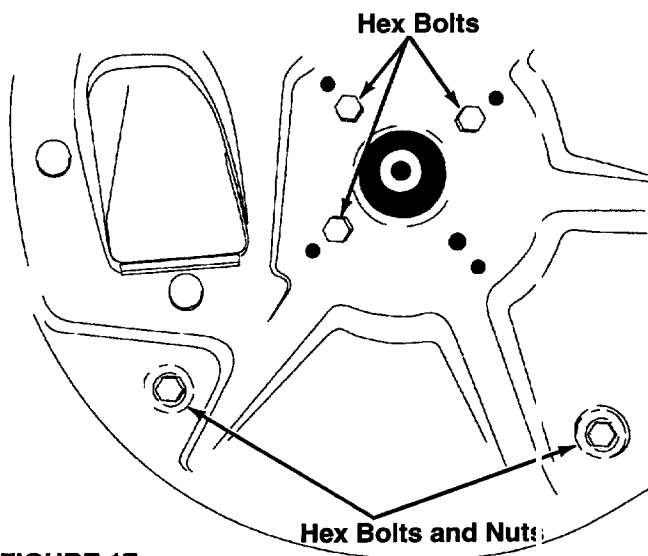
10. Remove the safety switch from the front of the outer housing by removing the two self-tapping screws. See figure 15.

11. Remove the two hex bolts and hex lock nuts which extend through the housing. Lift the flail screen out of the housing. See figure 11.
12. Remove the outer housing and housing blades by removing the fourteen self-tapping screws
13. Remove the hex bolt, lock washer and flat washer that secures the impeller assembly to the crankshaft. See figure 16.



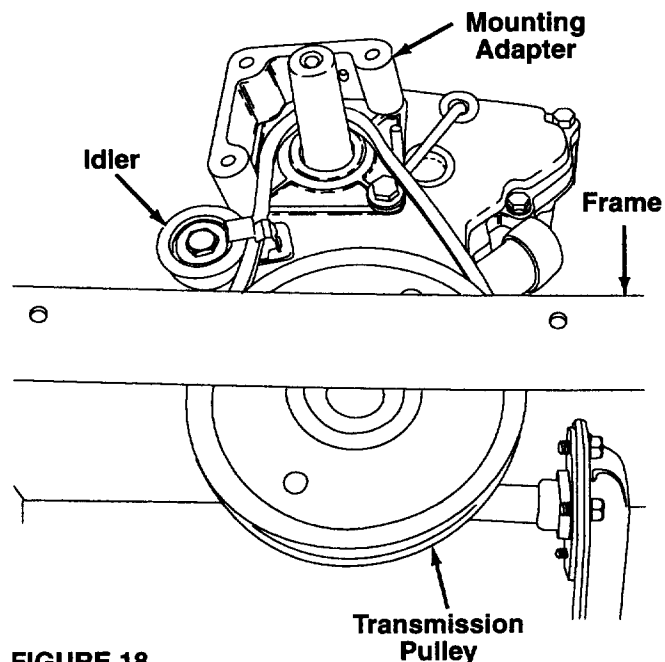
**FIGURE 16.**

14. Thread the special impeller tool (see note on previous page) into the crankshaft. Stop when the impeller assembly can move on the crankshaft.
15. If the old belt is still on the unit, cut belt and remove.
16. Remove the impeller assembly from the crankshaft. Unthread the special impeller tool from the impeller assembly.
17. Remove the inner housing and mounting adapter by removing the five hex bolts and two hex nuts. See figure 17.



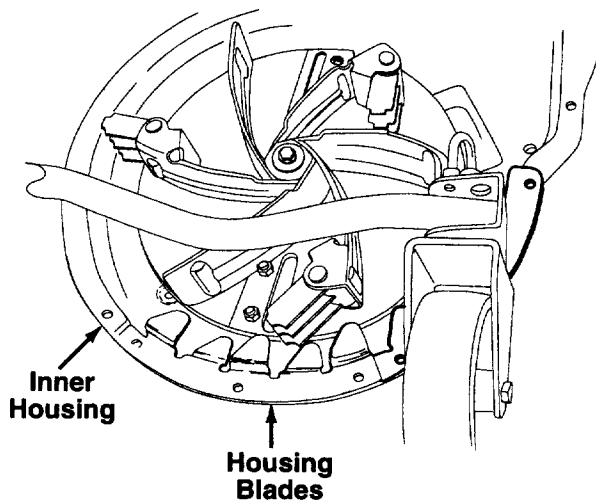
**FIGURE 17.**

18. Insert the new belt between the frame and transmission pulley. It may be necessary to use a screwdriver to pry the frame away from the pulley in order to insert the belt. Apply a slight upward pressure, being careful not to damage the pulley. Place belt around transmission pulley. See figure 18.



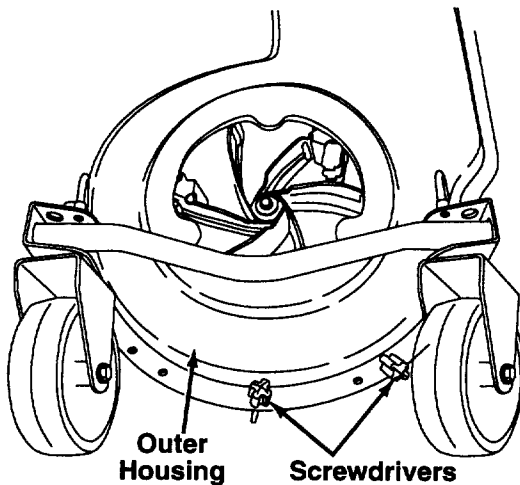
**FIGURE 18.**

19. Press down on the belt guard spring by the idler pulley and release spring from the slot on the idler bracket. Place the belt on the idler pulley and place belt guard spring back into the slot on the idler bracket. See figure 18.
20. Place the mounting adaptor against the engine. Make sure the hole for the belt guard screw is facing up. See figure 18.
21. Place the inner housing against mounting adapter and frame. Secure with the five hex bolts and two hex nuts removed in step 17.
22. Slide the impeller assembly onto the crankshaft. Place a screwdriver under the belt, and turn the impeller assembly counterclockwise to seat the belt into the slot on the impeller. Make sure the belt is routed inside all belt guards.
23. Secure the impeller assembly to the crankshaft using the hex bolt, lock washer and flat washer that was removed in step 13. Torque the bolt to 550 in. lbs. min., 700 in. lbs. max.
24. Place the housing blades against the inner housing. The blades must be placed as shown in figure 19.



**FIGURE 19.**

25. Place the outer housing against the inner housing. Insert two screwdrivers into the holes as shown in figure 20. This will hold the blades in place while attaching the outer housing. Secure with the fourteen self tapping screws that were removed in step 12. Start all screws first before tightening.



**FIGURE 20.**

26. Finish reassembling, following steps 1 through 11 in reverse order.

## **OFF-SEASON STORAGE**

The following steps should be taken to prepare your chipper-shredder-vacuum for storage.

1. Remove all dirt from exterior of engine and equipment.
2. Refer to engine manual for correct engine storage instructions.
3. Wipe unit with an oiled rag to prevent rust (use a light oil or silicone), especially if storing in an unventilated or metal storage shed.
4. Store in a dry, clean area. Do not store next to corrosive materials, such as fertilizer.

## **OPTIONAL EQUIPMENT**

Hose Attachment Kit Model 290-005 is available as optional equipment.

# TROUBLE SHOOTING

PROBLEM	POSSIBLE CAUSE(S)	CORRECTIVE ACTION
Engine fails to start	<ol style="list-style-type: none"> <li>1. Spark plug wire disconnected.</li> <li>2. Fuel tank empty, or stale fuel.</li> <li>3. Faulty spark plug.</li> <li>4. Nozzle safety switch not depressed.</li> </ol>	<ol style="list-style-type: none"> <li>1. Connect wire to spark plug.</li> <li>2. Fill tank with clean, fresh fuel.</li> <li>3. Clean, adjust gap or replace.</li> <li>4. Adjust metal tab so it depresses the safety switch.</li> </ol>
Loss of power; operation erratic	<ol style="list-style-type: none"> <li>1. Spark plug wire loose.</li> <li>2. Unit running on CHOKE.</li> <li>3. Blocked fuel line or stale fuel.</li> <li>4. Water or dirt in fuel system.</li> <li>5. Carburetor out of adjustment.</li> <li>6. Dirty air cleaner.</li> </ol>	<ol style="list-style-type: none"> <li>1. Connect and tighten spark plug wire.</li> <li>2. Move choke lever to OFF position.</li> <li>3. Clean fuel line; fill tank with clean fresh gasoline.</li> <li>4. Disconnect fuel line at carburetor to drain fuel tank. Refill with fresh fuel.</li> <li>5. Adjust carburetor.†</li> <li>6. Service air cleaner.†</li> </ol>
Engine overheats	<ol style="list-style-type: none"> <li>1. Carburetor not adjusted properly.</li> <li>2. Engine oil level low.</li> </ol>	<ol style="list-style-type: none"> <li>1. Adjust carburetor.†</li> <li>2. Fill crankcase with proper oil.</li> </ol>
Too much vibration	Loose parts or damaged impeller.	Stop engine immediately and disconnect spark plug wire. Tighten all bolts and nuts. Make all necessary repairs. If vibration continues, have unit serviced by an authorized service dealer.
Unit does not discharge	<ol style="list-style-type: none"> <li>1. Discharge chute clogged.</li> <li>2. Foreign object lodged in impeller.</li> <li>3. Vacuum bag is full.</li> </ol>	<ol style="list-style-type: none"> <li>1. Stop engine immediately and disconnect spark plug wire. Clean flail screen and inside of housing. See Maintenance section of this manual.</li> <li>2. Stop engine immediately and disconnect spark plug wire. Remove lodged object.</li> <li>3. Empty bag.</li> </ol>
Rate of discharge slows considerably or composition of discharged material changes	Chipper blades dull.	Sharpen or replace chipper blades.

†Refer to the engine manual packed with your unit.

NOTE: For repairs beyond the minor adjustments listed above, please contact your nearest authorized service dealer.

**The only way to ensure the performance of your product is to use original equipment parts and accessories, which are designed and engineered to exacting specifications. When you substitute, you take a chance on quality, reliability, safety and performance. Use original equipment parts—See your local service dealer.**



**WARNING:** The Engine Exhaust from this product contains chemicals known to the State of California to cause cancer, birth defects or other reproductive harm.

**For Replacement Parts, Contact:  
SERVICE DEPARTMENT • P.O. BOX 368022 • CLEVELAND, OHIO 44136-9722**

## Free Manuals Download Website

<http://myh66.com>

<http://usermanuals.us>

<http://www.somanuals.com>

<http://www.4manuals.cc>

<http://www.manual-lib.com>

<http://www.404manual.com>

<http://www.luxmanual.com>

<http://aubethermostatmanual.com>

Golf course search by state

<http://golfingnear.com>

Email search by domain

<http://emailbydomain.com>

Auto manuals search

<http://auto.somanuals.com>

TV manuals search

<http://tv.somanuals.com>