

Owner's Operating Service Instruction Manual

Model Nos.
244-670A
244-680A

- ASSEMBLY
- OPERATION
- REPAIR PARTS

POWER VACUUM

WARRANTY

For one year from date of purchase, MTD Products Inc will replace for the original purchaser, free of charge, F.O.B. factory or authorized service firm, any part or parts found to be defective in material or workmanship. All transportation charges on parts submitted for replacement under this warranty must be paid by the purchaser. This warranty does not include replacement of parts which become inoperative through misuse, excessive use, accident, neglect, improper maintenance or alterations by unauthorized persons. This warranty does not include the engine, motor, battery, battery charger or any component parts thereof. For service on these units, refer to the applicable manufacturer's warranty.

The above warranty will apply only to the original owner and will be effective only if the warranty card has been properly processed. It will not apply where the unit has been used commercially.

Warranty service is available through your local authorized service dealer or distributor. **UNDER NO CIRCUMSTANCES WILL THE RETURN OF A COMPLETE UNIT BE ACCEPTED BY THE FACTORY UNLESS PRIOR WRITTEN PERMISSION HAS BEEN EXTENDED.**

I M P O R T A N T

SAFE OPERATION PRACTICES FOR POWER VACUUMS

1. Read the operating and service instructing manual carefully. Be thoroughly familiar with the controls and proper use of the power vacuum.
2. Never allow children to operate this power vacuum.
3. Keep the area of operation clear of all persons, particularly small children and pets.
4. Check fuel before starting engine. Do not fill fuel tank indoors, when engine is running, or while engine is hot. Wipe off any spilled fuel before starting engine.
5. Do not change engine governor settings.
6. Do not put hands near rotating parts for any reason.
7. If the power vacuum should start to vibrate abnormally, stop the engine and check immediately for the cause. Vibration is generally a warning of trouble.
8. Before cleaning, repairing or inspecting make certain all moving parts have come to a complete stop. Disconnect spark plug wire and keep wire away from plug to prevent accidental starting. Also keep throttle control lever in the stop position.
9. If the power vacuum should become blocked with debris at any point shut engine off and wait until the impeller comes to a complete stop before attempting to remove the obstruction. Disconnect spark plug wire to prevent accidental starting.
10. Check all bolts for tightness at frequent periods.
11. Never store this power vacuum with fuel in the tank. Allow engine to cool before starting in any enclosure.
12. Keep bag and equipment free of debris when not in use.
13. Never operate this power vacuum unless air duct and vacuum bag are properly affixed in their place. Large zippered end of bag must be closed when operating to prevent objects from being blown out.
14. Never empty vacuum bag when engine is running.
15. Never change inlet nozzle or auxiliary hose attachment when engine is running.
16. The manufacturer recommends that the operator wear safety glasses or some other suitable eye protection when operating this machine.
17. Check the vacuum bag frequently for wear and replace when necessary.

ASSEMBLY INSTRUCTIONS

(Refer to figures 1, 2 and 3)

1. Place the upper handle in position and fasten with four (4) hex screws and hex centerlock nuts provided.
2. Place the air duct in position on the blower housing and fasten with four (4) flat washers and hex nuts provided.
3. Slide the vacuum bag over the back of the upper handle and snap the four flaps to hold the bag.
4. Slide the bag over the air duct.
5. Fasten the nozzle to the front of the vacuum with four flat washers and thumb nuts provided.
6. Use the following steps on the self propelled unit only.
7. Fasten the throttle control to the right hand side of the upper handle with one hex screw and hex center locknut provided.
8. Secure throttle control cable to the lower handle with the cable clip provided. NOTE: Cable clip must be assembled to lower handle with the open end towards the engine. This will prevent wear to the bag.
9. Place ferrule through control lever.
10. Place flat washer over ferrule and thread control rod into ferrule about eight or nine turns.
11. Hook formed end of control rod in the shifting finger.
12. Place curved face of spacer towards the outside of upper handle left hand side.
13. Fasten control lever in position with hex screw and two hex nuts provided.
14. Engage and disengage control lever, check for free pivoting action. It may be necessary to readjust the control rod.

OPERATION

1. Service engine with gas and oil. See engine manual packed with lawn mower for complete instructions for care and maintenance of engine. READ DIRECTIONS CAREFULLY.

START ENGINE

After the engine has been properly fueled and oiled (refer to engine operating and maintenance instructions), start engine in the following manner.

PUSH MODEL 244-670A

1. Move throttle control lever on engine to START position.
2. Crank engine. Pull recoil with a quick firm pull. Do not pull out so far that rope stops with a jerk as this will cause rope failure. Do not allow rope and handle to snap back into place.
3. After two or three full firm pulls on recoil (or as soon as engine fires), move speed control to run position.
4. Operate a new engine at intermediate speeds and light load for the first few hours as you would a new automotive engine.
5. To stop engine, move speed control lever on engine to STOP position.
6. If carburetor needs adjustment to start or for operation, see "Carburetor Readjustment" section.

SELF PROPELLED MODEL 244-680A

1. Place drive engagement lever in the neutral position (towards the operator).
2. Move throttle control lever on handle to START position.
3. Crank engine. Pull recoil with a quick firm pull. Do not pull out so far that rope stops with a jerk as this will cause rope failure. Do not allow rope and handle to snap back into place.

244-670A 244-680A

IF YOU WRITE TO US ABOUT THIS ARTICLE
OR IF YOU ORDER REPLACEMENT PARTS AL-
WAYS MENTION THIS MODEL & SERIAL NO
MODEL

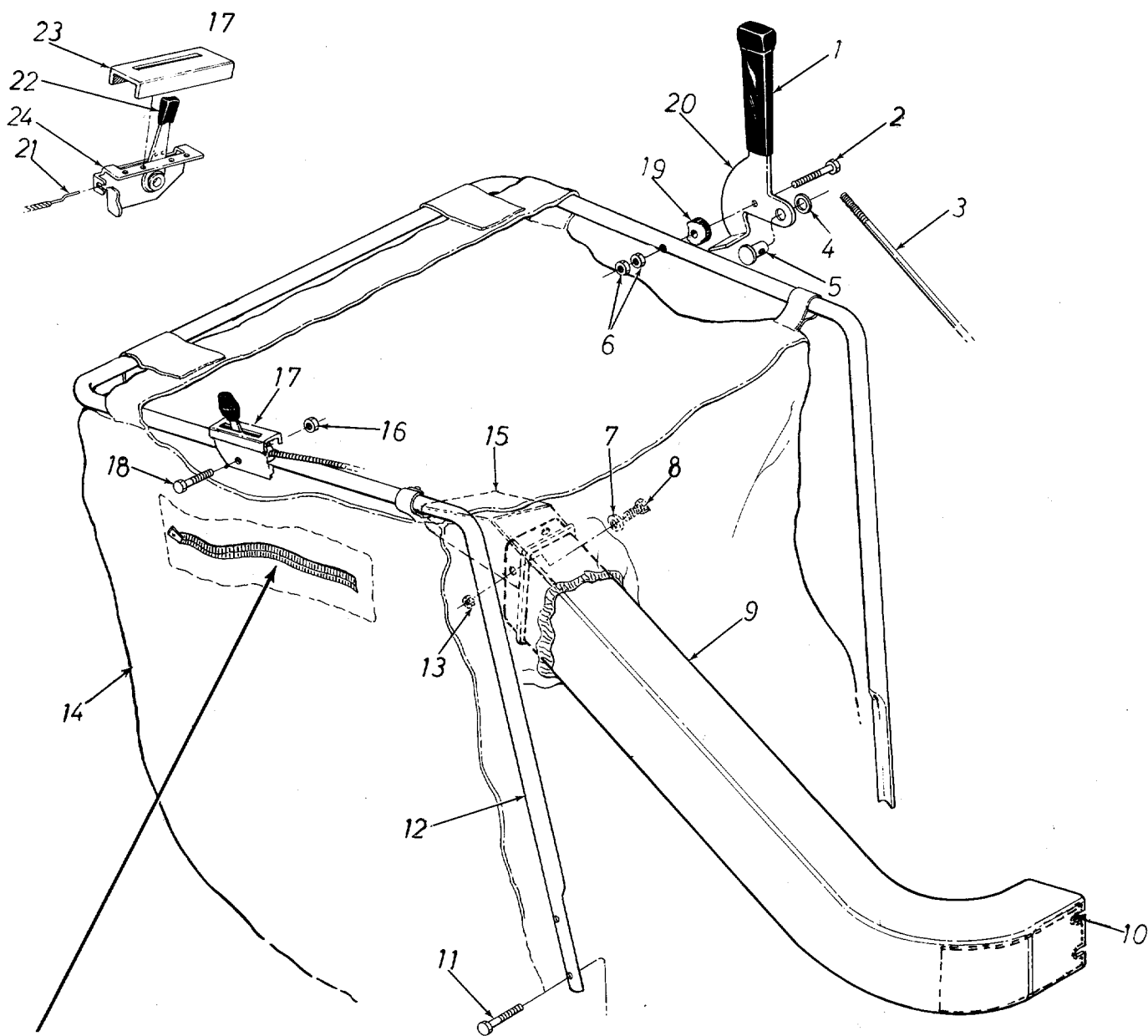


FIGURE 1. EXPLODED VIEW OF UPPER HANDLE

PARTS LIST FOR MODELS 244-670A AND 244-680A (FIGURE 1)

REF. NO.	PART NO.	COLOR CODE	DESCRIPTION	NEW PART
1	720-142		Grip (244-680A)	
2	710-606		Hex Scr. 1/4-20 x 1.50" Lg.* (244-680A)	
3	711-596		Control Rod (244-680A)	
4	736-108		Fl Wash. .510" I.D. x .75" O.D. (244-680A)	
5	711-179		Adj. Ferrule (244-680A)	
6	712-107		Hex Center L-Nut 1/4-20 Thd. (244-680A)	
7	736-173		Flat Wash. .28" I.D. x .75" O.D. x .063	
8	710-289		Hex Scr. 1/4-20 x .50" Lg.*	
9	731-212		Air Duct	
10	12262		Air Duct Liner	N
11	710-106		Hex Scr. 1/4-20 x 1.25" Lg.*	
12	12234		Upper Handle	
13	712-107		Hex Center L-Nut 1/4-20 Thd.	
14	764-127		Vacuum Bag	
15	12104		Deflector	
16	712-107		Hex Center L-Nut 1/4-20 Thd.	
17	11609		Throttle Control Ass'y.—Comp. (244-680A)	
18	710-606		Hex Scr. 1/4-20 x 1.50" Lg.*	
19	748-210		Spacer (244-680A)	
20	12226		Control Lever (244-680A)	
21	746-229		Conduit and Wire (244-680A) Only)	
22	7470		Throttle Control—Knob (244-680A)	
23	731-180		Plastic Label (244-680A)	
24	11598		Throttle Control Ass'y. (244-680A)	

(463—Top Flite Red)

When ordering parts, if color or finish is important use the appropriate color code shown above (e.g. Top Flite Red Finish—12236 (463).)

NOTE: This instruction manual covers various models and all accessories shown do not necessarily apply to your model vacuum. The engine is NOT under warranty by the vacuum manufacturer.

If repairs or service is needed on the engine, please contact your nearest authorized engine service outlet. Check the "Yellow Pages" of your telephone book under "Engines—Gasoline."

Find us fast in the



*For faster service obtain standard nuts, bolts, and washers locally. If these items cannot be obtained locally, order by part number and size as shown on parts list.

244-670A 244-680A

IF YOU WRITE TO US ABOUT THIS ARTICLE
OR IF YOU ORDER REPLACEMENT PARTS AL-
WAYS MENTION THIS MODEL & SERIAL NO.
MODEL

NOTE:

Cable clip must be assembled
to lower handle as shown, with
open end towards the engine.
This will prevent wear to the bag.

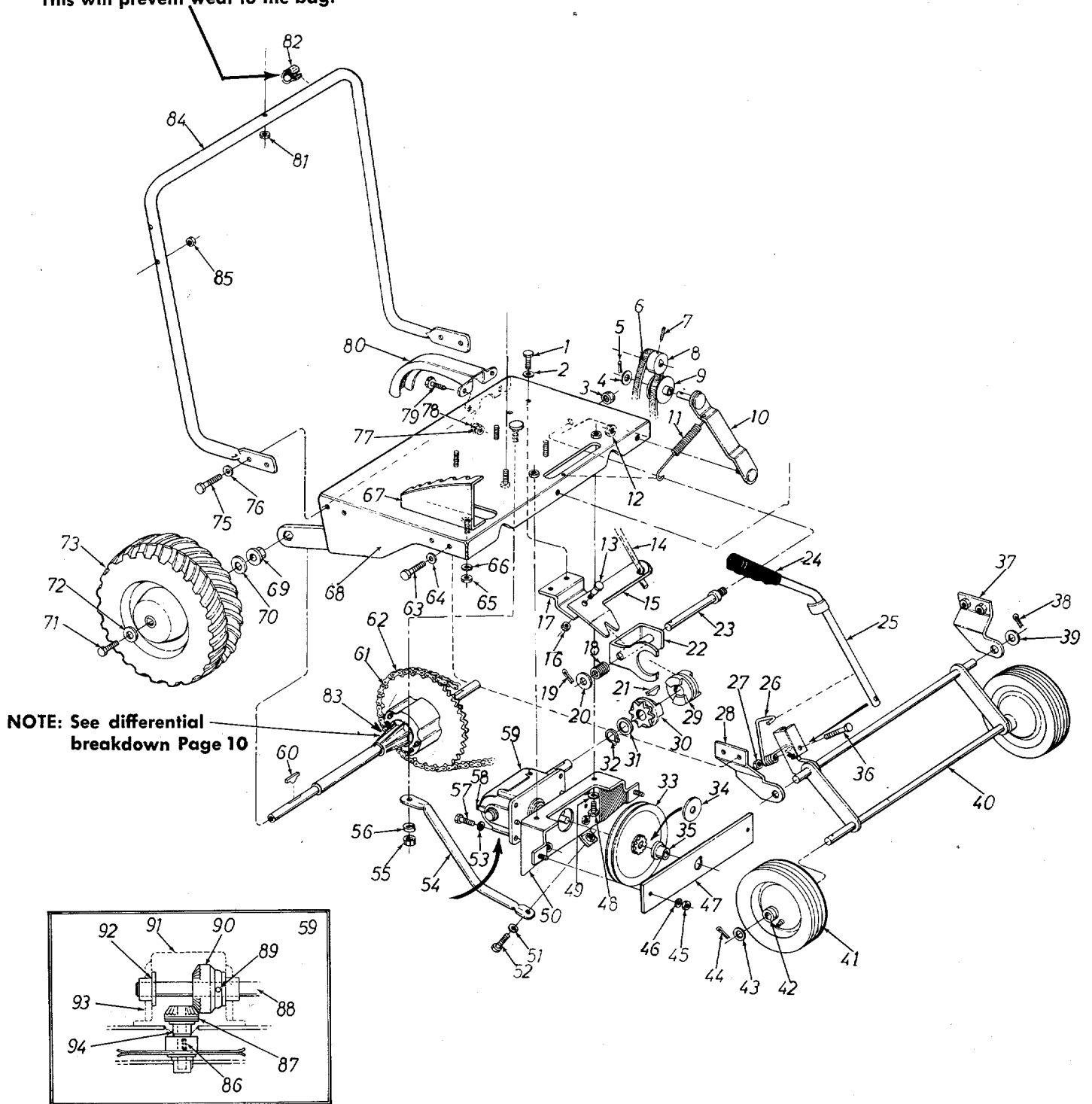


FIGURE 2. EXPLODED VIEW OF FRAME

PARTS LIST FOR FIGURE 2

REF. NO.	PART NO.	COLOR CODE	DESCRIPTION	NEW PART	REF. NO.	PART NO.	COLOR CODE	DESCRIPTION	NEW PART
1	710-258		Hex Scr. 1/4-20 x .62" Lg.* (244-680A)		48	710-118		Hex Scr. 5/16-18 x .75" Lg. (244-680A)	
2	736-329		Spring L-Wash. 1/4" Scr.* (244-680A)		49	736-119		L-Wash. 5/16" Scr.* (244-680A)	
3	712-116		Hex Ins. L-Nut 3/8-24 Thd. (244-680A)		50	12211—452		Gear Box Mtg. Brkt. Ass'y. (244-680A)	
4	736-117		Fl.-Wash. (244-680A)		51	736-119		L-Wash. 5/16" Scr.* (244-680A)	
5	714-127		Cotter Pin 1/16" Dia. x .75" (244-680A)		52	710-118		Hex Scr. 5/16-18 x .75" Lg.* (244-680A)	
6	754-176		"V"-Belt 1/4" x 22.76" Lg. (244-680A)		53	736-329		L-Wash. 1/4" Scr.* (244-680A)	
7	710-938		Set Scr. 1/4-28 x .25" Lg. (244-680A)		54	12222—452		Gear Box Brace (244-680A)	
8	711-590		P.T.O. Sheave (244-680A)		55	712-267		Hex Nut 5/16-18 Thd.* (244-680A)	
9	756-194		Idler Pulley (244-680A)		56	736-119		L-Wash. 5/16" Scr.* (244-680A)	
10	12206		Idler Brkt. Ass'y. (244-680A)		57	710-258		Hex Scr. 1/4-20 x .62" Lg.* (244-680A)	
11	732-157		Spring .38" O.D. (244-680A)		58	710-148		Hex Wash. Hd. F-Tapp. Scr. #8 -32 x .38" Lg. (244-680A)	
12	712-429		Hex Ins. L-Nut 5/16-18 Thd. (244-680A)		59	—		Gear Box Breakdown See Ref. No's. 86 through 94 (244-680 Only)	
13	738-140		Shoulder Bolt .437" Dia. x .180 (244-680A)		60	714-126		#9 Hi-Pro-Key 3/16" x 3/4" Dia. (244-680A)	
14	711-596		Control Rod (244-680A)		61	713-118		Chain #41 x 61 Links (244-680A)	
15	12231		Shifting Finger (244-680A)		62	713-723		#41 Master Link 1/2" Pitch Type II (244-680A)	
16	712-429		Hex Ins. L-Nut 5/16-18 Thd. (244-680A)		63	710-118		Hex Scr. 5/16-18 x .75" Lg.*	
17	12213—452		Pivot Brkt. Ass'y. (244-680A)		64	736-119		L-Wash. 5/16" Scr.*	
18	732-273		Compression Spring (244-680A)		65	712-267		Hex Nut 5/16-18 Thd.*	
19	714-474		Cotter Pin 1/8" Dia. x .75" Lg.* (244-680A)		66	736-119		L-Wash. 5/16" Scr.*	
20	736-300		Fl.-Wash. (244-680A)		67	12224		Index Plate Ass'y.	
21	714-137		Hi-Pro-Key 3/16" x 3/4" Dia. x 1.062" Lg. (244-680A)		68	12200—452		Engine Mtg. Frame Ass'y.	
22	12216		Shifting Yoke Ass'y. (244-680A)		69	748-227		Hex Flange Bearing .630" I.D.	
23	711-594		Shifting Fork Rod (244-680A)		70	736-116		Fl.-Wash.	
24	720-132		Grip		71	710-258		Hex Scr 1/4-20 x .62" Lg.*	
25	12208		Index Handle Ass'y.		72	736-211		Fl.-Wash.	
26	732-231		Torsion Spring		73	734-576		Rear Wheel Ass'y. Comp.	
27	712-107		Hex Center L-Nut 1/4-20 Thd.		75	710-118		Hex Scr. 5/16-18 x .75" Lg.*	
28	12240—452		Pivot Brkt. Ass'y.—R.H.		76	736-119		L-Wash. 5/16" Scr.*	
29	748-161		Clutch Collar (244-680A)		77	712-287		Hex Nut 1/4-20 Thd.* (244-680A)	
30	748-164		Sprocket 10 Teeth (244-680A)		78	736-329		L-Wash. 1/4" Scr.* (244-680A)	
31	736-116		Fl.-Wash. (244-680A)		79	710-258		Hex Scr. 1/4-20 x .62" Lg.* (244-680A)	
32	716-115		Snap Ring for .625" Dia. (244-680A)		80	12232		Chain Guard (244-680A)	
33	756-195		Drive Pulley (244-680A)		81	712-107		Hex Center L-Nut 1/4-20 Thd.	
34	736-160		Fl.-Wash. (244-680A)		82	746-128		Cable Clip	
35	748-742 142		Flange Bearing (244-680A)		83	738-185		Rear Axle (244-680A)	
36	710-136		Hex Scr. 1/4-20 x 1.75" Lg.*			717-284		Differential Ass'y. Comp. (244-680A)	
37	12241—452		Pivot Brkt. Ass'y.—L.H.		84	12233		Lower Handle	
38	714-115		Cotter Pin 1/8" Dia. x 1.00" Lg.*		85	712-107		Hex Center L-Nut 1/4-20 Thd.	
39	736-116		Fl.-Wash.		86	714-229		#2 Woodruff Key 3/32 x 1/2" Dia. Hdn. (244-680A)	
40	12217—452		Front Axle Ass'y		87	748-136		Pinion Gear .50" I.D. x 14 Teeth (244-680A)	
41	734-225		Front Wheel Ass'y.—Comp.		88	711-593		Drive Shaft (244-680A)	
42	748-176		Flange Bearing .630" I.D.—		89	715-246		Spring Pin Spirol 3/16" Dia. x 1.25 (244-680A)	
43	736-116		Fl.-Wash.		90	748-135		Bevel Gear .62" I.D. 28 Teeth (244-680A)	
44	714-115		Cotter Pin 1/8" Dia. x 1.00" Lg.*		91	8187		Gear Box Cover (244-680A)	
45	712-107		Hex Center L-Nut 1/4-20 Thd. (244-680A)		92	748-110		Flange Bearing .630" I.D. (244-680A)	
46	736-329		L-Wash. 1/4" Scr.* (244-680A)		93	8189		Gear Box (244-680A)	
47	12227—452		Bearing Support Brkt. (244-680A)		94	748-108		Flange Bearing .503" I.D. (244-680A)	

244-670A
244-680A

IF YOU WRITE TO US ABOUT THIS ARTICLE
OR IF YOU ORDER REPLACEMENT PARTS AL-
WAYS MENTION THIS MODEL & SERIAL NO
MODEL

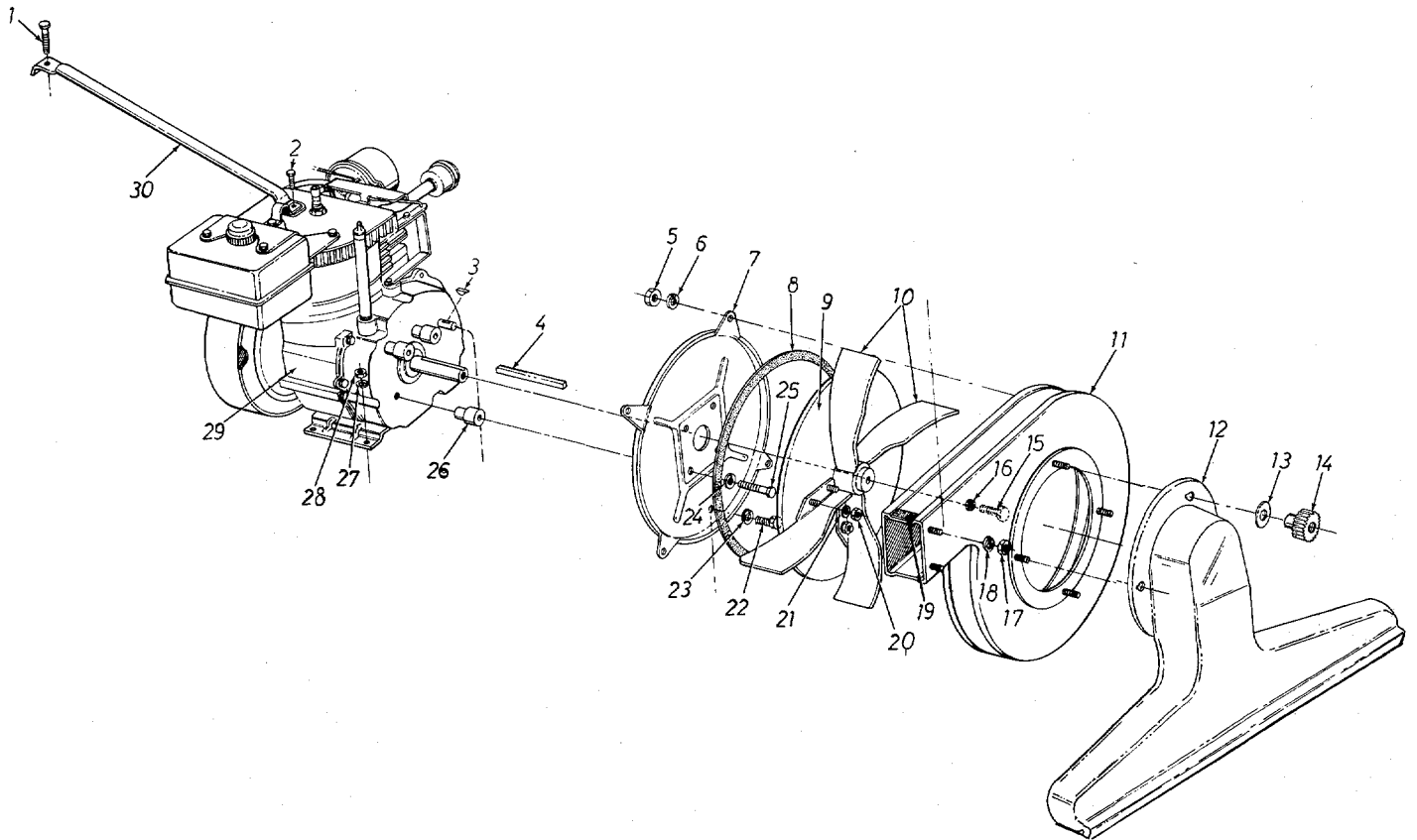


FIGURE 3. EXPLODED VIEW OF DRIVE ASSEMBLY

PARTS LIST FOR MODELS 244-670A AND 244-680A (FIGURE 3).

REF. NO.	PART NO.	COLOR CODE	DESCRIPTION	NEW PART
1	710-106		Hex Scr. 1/4-20 x 1.25" Lg.*	
2	—		Part of Engine	
3	714-108		Woodruff Key (244-680A)	
4	714-114		Sq. Key 1/4" x 2.00" Lg.	
5	712-267		Hex Nut 5/16-18" Thd.*	
6	736-119		L-Wash. 5/16" Scr.*	
7	11452—463		Hopper to Engine Mtg. Plate	
8	721-128		Gasket Strip—Pressure Sensitive	
9	12203—463		Vane Plate Ass'y.	
10	12230—463		Air Vane	
11	12236—463		Blower Housing Ass'y.	
12	731-211		Nozzle	
13	736-159		Fl.-Wash. .344" I.D. x .88" O.D. x .063	
14	712-254		Thumb Nut 5/16-18 Thd.	
15	710-539		Hex Scr. 3/8-24 x 1.75" Lg. H.T.	
16	736-217		L-Wash. 3/8" Scr. Heavy Duty	
17	712-107		Hex Center L-Nut 1/4-20 Thd.	
18	736-211		Fl-Wash. .285" I.D. x 1.25" O.D. x .060	
19	721-129		Dust Pad—Pressure Sensitive	
20	712-241		Hex Nut 3/8-24" Thd.*	
21	736-217		L-Wash. 3/8" Scr. Heavy Duty	
22	710-118		Hex Scr. 5/16-18 x .75" Lg.*	
23	736-119		L-Wash. 5/16" Scr.*	
24	736-119		L-Wash 5/16" Scr.*	
25	710-409		Hex Scr. 5/16-24 x 1.75" Lg.*	
26	711-591		Engine Spacer	
27	736-119		L-Wash. 5/16" Scr.*	
28	712-267		Hex Nut 5/16-18 Thd.*	
29	—		Engine	
30	12228		Handle Brace	

(463—Top Flite Red)

When ordering parts, if color or finish is important use the appropriate color code shown above (e.g. Top Flite Red Finish—12236 (463).)

NOTE: This instruction manual covers various models and all accessories shown do not necessarily apply to your model vacuum.

The engine is NOT under warranty by the vacuum manufacturer.

If repairs or service is needed on the engine, please contact your nearest authorized engine service outlet. Check the "Yellow Pages" of your telephone book under "Engines—Gasoline."

Find us fast in the



*For faster service obtain standard nuts, bolts, and washers locally. If these items cannot be obtained locally, order by part number and size as shown on parts list.

244-680A

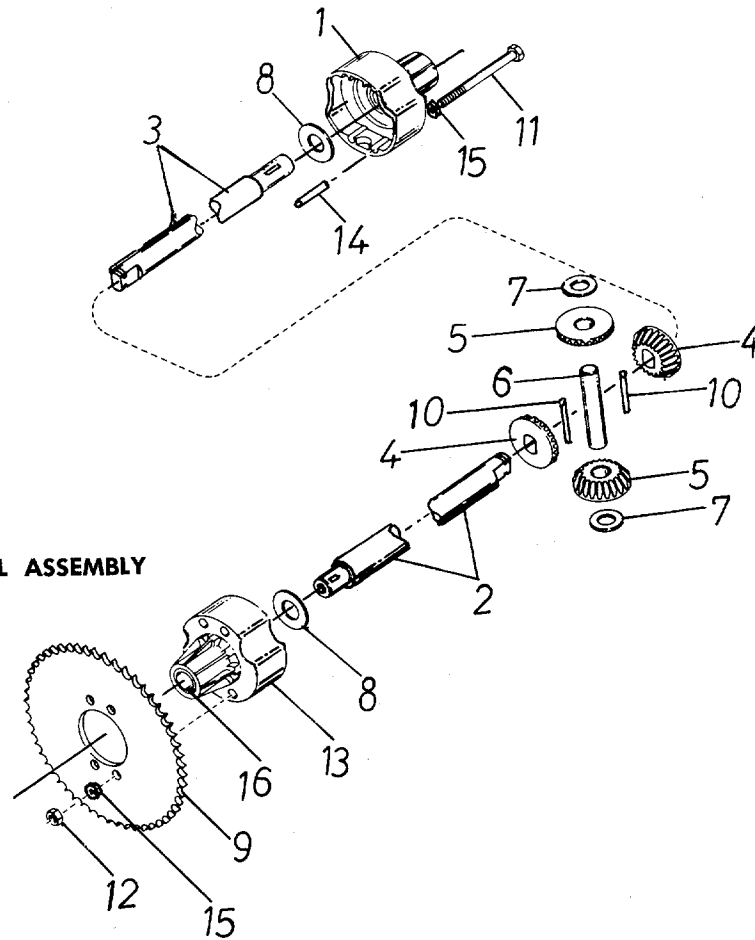


FIGURE 4.
MODEL 717-284 DIFFERENTIAL ASSEMBLY

PARTS LIST FOR FIGURE 4 USED ON MODEL 244-680 A ONLY

REF. NO.	PART NO.	COLOR CODE	DESCRIPTION	NEW PART
1	719-150		Housing Half (1)	
2	738-217		Shaft—Short (1) 8.31" Lg. (1)	
3	738-218		Shaft—Long (1) 15.38" Lg. (1)	
4	748-185		Gear—Double "D" Hole (2)	
5	748-158		Gear—Round Hole (2)	
6	711-276		Drive Pin (1)	
7	736-187		Flat Washer (2)	
8	736-188		Washer (2)	
9	9054		Sprocket 40 Tooth (1)	
10	715-247		Spirol Pin 3/16" Dia. x 1.00" Lg.* (2)	
11	710-526		Hex Hd. Cap Scr. 5/16-24 x 4.00" Lg.* (4)	
12	712-237		Hex Locknut 5/16-24 Thd. (4)	
13	719-150		Housing Half (1)	
14	715-123		Dowel Pin 3/16" Dia. x .62" Lg. (2)	
15	736-119		Spring Lockwasher 5/16" Scr.* (8)	
16	748-169		Flange Bearing (2)	
17	737-120		Grease—High Temp. 450 F. (2 oz.)	

*For faster service obtain standard nuts and bolts locally. If these items cannot be obtained locally, order by part number and size as shown on the parts list.

PARTS INFORMATION

DEFECTIVE OR MISSING PARTS must be reported to the factory immediately. Such claims must include your model number and date of purchase.

POWER EQUIPMENT PARTS AND SERVICE

Parts and service for all MTD manufactured power equipment are available through the authorized service firms listed below. All orders should specify the model number of your unit, parts numbers, description of parts and the quantity of each part required.

A 1 Engine & Mower Co.
327 East 9th Street
Salt Lake City, Utah 84102

American Electric Ignition Co.
124 N. W. 8th Street
Oklahoma City, Oklahoma 73102

Auto Electric & Carburetor Co.
2625 4th Avenue, S.
P. O. Box 1948
Birmingham, Alabama 35233

Automotive Equipment Service Co.
3117 Holmes Street
Kansas City, Missouri 64109

Bailey's Rebuild Inc.
1325 E. Madison Street
Seattle, Washington 98102

Bleckrie, Inc.
7900 Lorain Avenue
Cleveland, Ohio 44102

Brown Equipment Distributor Inc.
110 Beech Street
Corydon, Indiana 47112

Bullard Supply
2409 Commerce Street
Houston, Texas 77003

Carl A. Anderson Co.
623 S. 16th Street
Omaha, Nebraska 68102

Catto & Putty, Inc.
P. O. Box 2408
510 Soledad Street
San Antonio, Texas 78205

Center Supply Company
6867 New Hampshire Avenue
Takoma Park, Maryland 20012

Dixie Sales Company
P. O. Box 1408
327 Battleground Avenue
Greensboro, North Carolina 27402

East Point Cycle & Key Shop
1617 Whiteway
East Point, Georgia 30044

Gamble Distributors
West End Avenue
Carthage, New York 13619

Garden Equipment Co., Inc.
6600 Cherry Avenue
Long Beach, California 90805

Gardenville Supply, Inc.
Pipersville, Pennsylvania 18947

Henry W. O'Neil & Assoc., Inc.
410 North Goodman Street
Rochester, New York 14609

Henzler, Inc.
2015 Lemay Ferry Road
St. Louis, Missouri 63125

Kenton Supply
8216 North Denver Avenue
Portland, Oregon 97217

Kimber's Inc.
115 W. Geddes St.
Syracuse, New York 13204

The Lawnmower Shop
1340 El Camino Real
San Carlos, California 94070

Marr Brothers
423 E. Jefferson
Dallas, Texas 75203

Mathews Auto Electric Co.
420 East 2nd Street
Tulsa Oklahoma 74120

McClure Lawn & Garden Supply
1114 Lexington Avenue
Mansfield, Ohio 44907

Memphis Cycle & Supply Co.
421 Monroe Avenue
Memphis Tennessee 38103

Morton B. Collins Co.
300 Birnie Avenue
Springfield, Massachusetts 01107

Moz-All of Florida, Inc.
365 Greco Avenue
Coral Gables, Florida 33146

BRIGGS & STRATTON, TECUMSEH AND PEERLESS PARTS AND SERVICE

Briggs & Stratton, Tecumseh and Peerless parts and service should be handled by your nearest authorized engine service firm. Check the yellow pages of your telephone directory under the listing *Engines — Gasoline*, Briggs & Stratton or Tecumseh Lauson — Power Products.

National Central, Div. of
Joe Sterling, Inc.
Drawer "D" 687 Seville Rd.
Wadsworth, Ohio 44281

Parts & Sales Inc.
2101 Industrial Pkwy.
Elkhart, Indiana 46514

Power Equipment Distributor
36463 So. Gratiot Avenue
Mt. Clemens, Michigan 48043

Power Lawn & Garden Equip. Co.
2551-2571 J. F. Kennedy Road
Dubuque, Iowa 52001

Radco Distributors
2403 Market Street
P. O. Box 3216
Jacksonville, Florida 32206

Raub Supply Company
James & Mulberry Sts.
Lancaster, Pennsylvania 17604

Richmond Battery & Ignition
P. O. Box 25369 — 957 Myers St.
Richmond, Virginia 23260

Smith Hardware Company
515 N. George Street
Goldsboro, North Carolina 27530

South Denver Lawn Equip. Co.
527 West Evans
Denver, Colorado 80223

Suhren Engine
8330 Earhart Blvd.
New Orleans, Louisiana 70118

Sutton's Lawn Mower Shop
Route 4, Box 343
North Little Rock, Arkansas 72117

Warner Equipment
7520 Lyndale Avenue, So.
Minneapolis, Minnesota 55423

Woodson Sales & Service
1702 North Sylvania
Ft. Worth, Texas 76111

WARRANTY PARTS AND SERVICE POLICY

The purpose of warranty is to protect the customer from defects in workmanship and materials, defects which are NOT detected at the time of manufacture. It does not provide for the unlimited and unrestricted replacement of parts. Use and maintenance are the responsibility of the customer. The manufacturer cannot assume responsibility for conditions over which it has no control. Simply put, if it's the manufacturer's fault, it's the manufacturer's responsibility; if it's the customer's fault, it's the customer's responsibility.

CLAIMS AGAINST THE MANUFACTURER'S WARRANTY INCLUDES

1. Replacement of Missing Parts on new equipment.
2. Replacement of Defective Parts within the warranty period.
3. Repair of Defects within the warranty period.

All claims MUST be substantiated with the following information:

1. Model Number of unit involved.
2. Date unit was purchased or first put into service.
3. Date of failure.
4. Nature of failure.

Free Manuals Download Website

<http://myh66.com>

<http://usermanuals.us>

<http://www.somanuals.com>

<http://www.4manuals.cc>

<http://www.manual-lib.com>

<http://www.404manual.com>

<http://www.luxmanual.com>

<http://aubethermostatmanual.com>

Golf course search by state

<http://golfingnear.com>

Email search by domain

<http://emailbydomain.com>

Auto manuals search

<http://auto.somanuals.com>

TV manuals search

<http://tv.somanuals.com>