

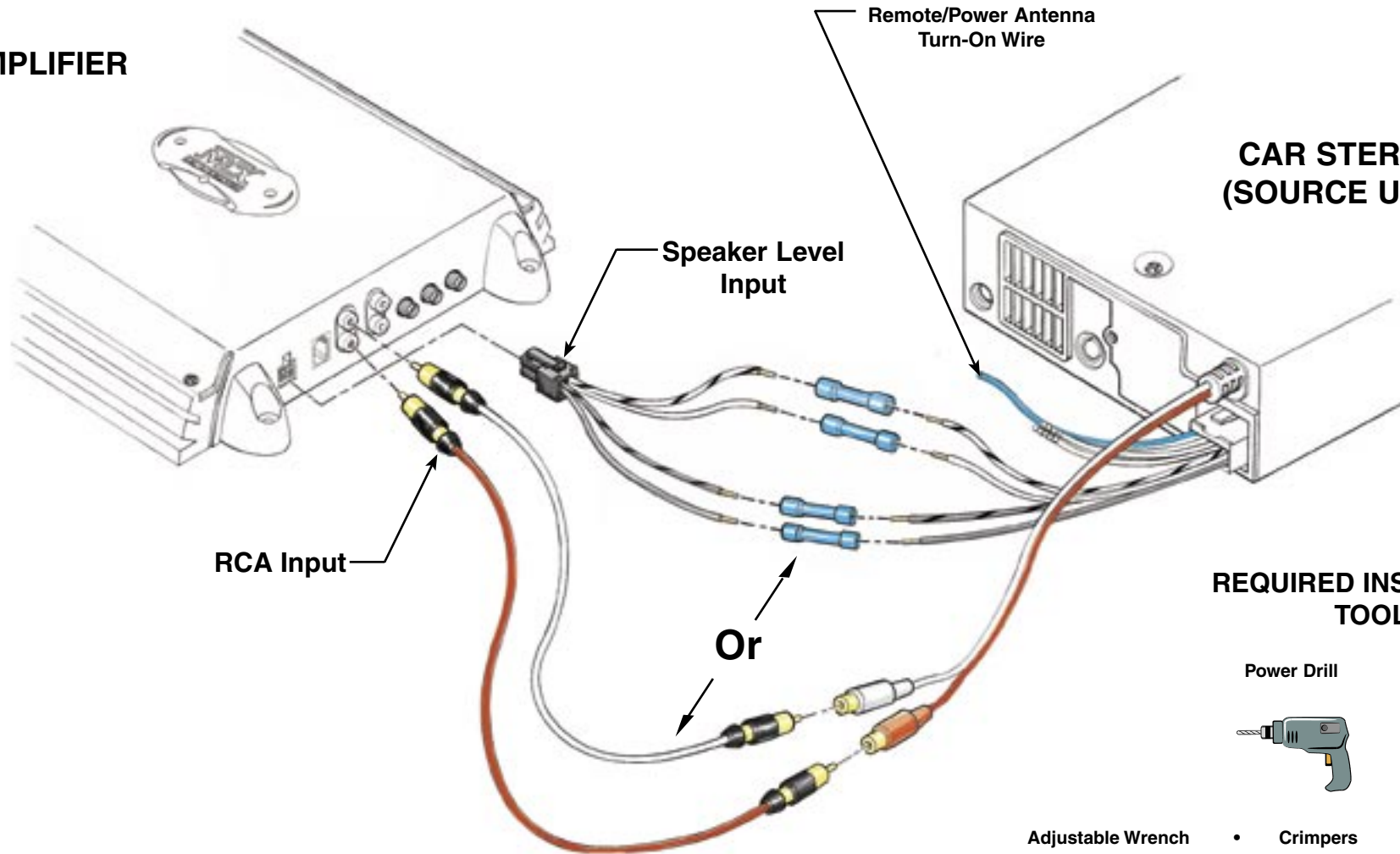


# THUNDER 421D / THUNDER 801D

## Amplifier Input Connections

AMPLIFIER

CAR STEREO  
(SOURCE UNIT)



### REQUIRED INSTALLATION TOOLS:

Power Drill

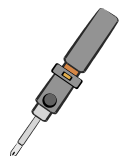
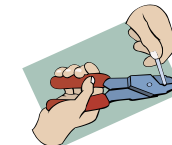
Utility Knife



Adjustable Wrench

• Crimpers

• Screw Driver



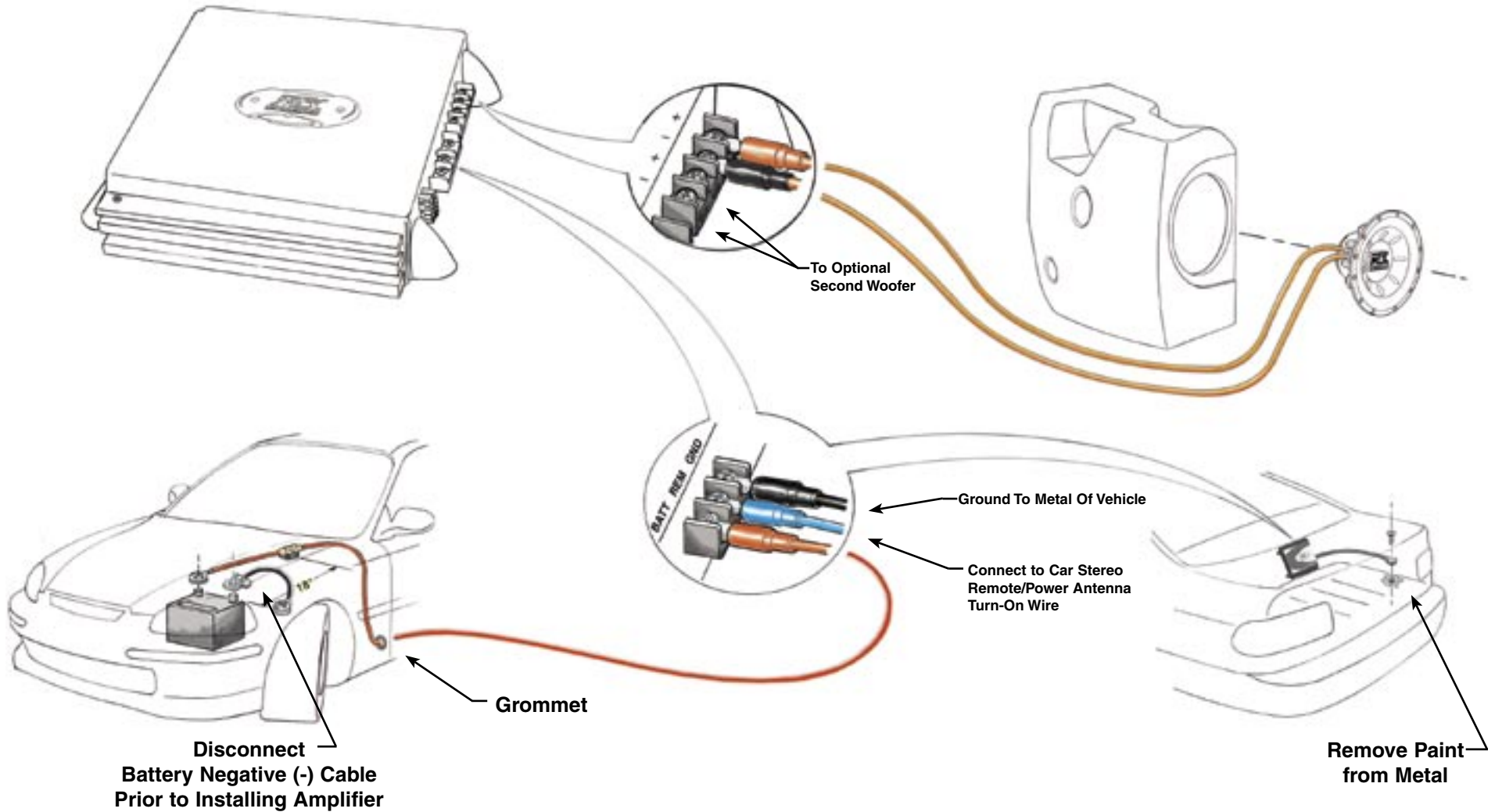
For installation options go to [www.mtx.com](http://www.mtx.com)

Part #: NDM219



# THUNDER 421D / THUNDER 801D Amplifier Output Connections

AMPLIFIER



**Minimum Wire Size:**  
Power: 8 AWG. Ground: 8 AWG.

For installation options go to [www.mtx.com](http://www.mtx.com)

## Free Manuals Download Website

<http://myh66.com>

<http://usermanuals.us>

<http://www.somanuals.com>

<http://www.4manuals.cc>

<http://www.manual-lib.com>

<http://www.404manual.com>

<http://www.luxmanual.com>

<http://aubethermostatmanual.com>

Golf course search by state

<http://golfingnear.com>

Email search by domain

<http://emailbydomain.com>

Auto manuals search

<http://auto.somanuals.com>

TV manuals search

<http://tv.somanuals.com>