

**MODEL MP41B/MODEL MP41W  
Owners Manual**



4545 E Baseline Rd  
Phoenix AZ 85040  
Phone: (602)438-4545  
Fax: (602)438-8692

21A2953

## CONGRATULATIONS

...on your purchase of MTX multi-purpose loudspeakers. Your new loudspeakers represent years of thorough research and development in the most modern techniques of speaker design and engineering. Using advanced technology and high quality electronics and components, MTX loudspeakers assure you of exceptional performance and value.

Your speakers were examined very carefully during and after manufacturing to assure all quality standards were met or exceeded. If damage as a result of shipping and handling has occurred, please contact the shipper or your dealer immediately.

Thank you for selecting MTX when you made your audio equipment purchase.

## TABLE OF CONTENTS

Introduction .....	2
Parts Guide .....	3
Center Channel Configuration .....	4
Bookshelf Configuration .....	5
Floor Stand Configuration .....	6
Bracket Mount Configuration .....	7,8
Painting Guide .....	9
Grill Assembly .....	9
Wiring Guide .....	10
Set Up Guide, Home Theater .....	11,12
Specifications .....	13
Warranty Statement .....	14

## WARRANTY STATEMENT

MTX multi-purpose loudspeakers are guaranteed against defects in parts and workmanship for a period of one (1) year from the date of purchase. Speakers found defective during that period will be repaired by MTX without charge for parts or labor.

This warranty is void if it is determined that unauthorized parties have attempted repairs or alterations of any nature. Before assuming that a defect is present in the loudspeakers, be certain that all associated equipment is operating properly.

If a defect is present, your authorized MTX dealer may be able to effect repairs. If not, you are responsible for providing transportation to the factory. Your MTX dealer can recommend the safest method of transportation. Proof of purchase is required when requesting service, so please retain your sales slip.

## SPECIFICATIONS

<b>Frequency Response</b>	102-20kHz
<b>Impedance</b>	8 Ohms
<b>Power Handling</b>	40 Watts RMS
<b>Total Power Handling</b>	160 Watts
<b>Sensitivity</b>	85dB @ 1W/1m
<b>Woofers</b>	4" Shielded
<b>Tweeter</b>	1/2" Balanced Dome
<b>Dimensions</b>	8.115"H x 4.812"W x 4.937"D

*Specifications subject to change without notice.*

## INTRODUCTION

### About the MP41 Multi Purpose Speaker

The MTX MP41 may be the most comprehensive loudspeaker design ever conceived. The unparalleled application flexibility afforded by this design gives you the freedom to listen to music almost anywhere and in just about any possible configuration.

### Features

#### •Balanced Dome Tweeter

Extended high frequency response is achieved through the use of an integrated balanced dome tweeter. This particular design offers the efficiency of a cone type tweeter with the wide dispersion pattern of a dome. The tweeter is also magnetically shielded to minimize color distortion of your TV when used as a home theater system center channel or front main speaker.

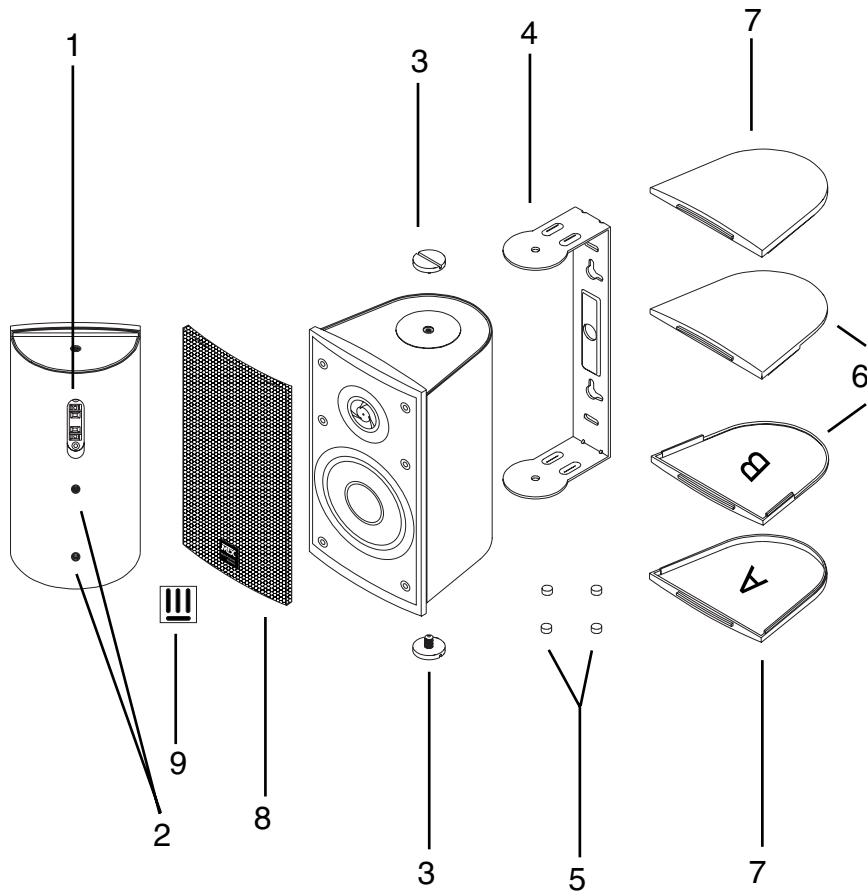
#### •4" Woofer

The mineral filled polypropylene cone and butyl rubber surround of the MP41 are combined with a computer optimized magnetically shielded motor structure and a long wind voice coil to provide extended low bass response. The woofer and tweeter have been designed to provide excellent frequency response characteristics, both on and off axis, across the majority of the audible frequency spectrum.

#### •Weather Resistant Design

All of the material used in the construction of the Model MP41 were chosen for their environmental stability as well as their sonic characteristics.

## MP41 PARTS GUIDE



1. Input Terminals
2. Threaded Inserts
3. Brass Thumb Screws
4. Aluminum Bracket
5. Self Adhesive Cabinet Feet
6. B-Type Bracket Mount End Cap
7. A-Type Standard End Cap
8. Grill
9. Grill Adhesive

3

## MP41 SET UP GUIDE

### HOME THEATER

#### Left/Center/Right Front Speaker Height

One of the most Important parameters for the left/center/right/front speakers in a home theater system is height. Figure 2 shows the ideal arrangement of the speakers in relation to the viewing screen: all three speakers are aligned on the same horizontal plane. This establishes a firm image height when special audio effects are panned from one side to the other, such as a speeding car moving across the screen. When a large discontinuity occurs between the heights of the center front channel and the left/right front speakers, as depicted in Figure 3, the visual image of the moving object becomes confused and somewhat unnatural due to shifts in image height.

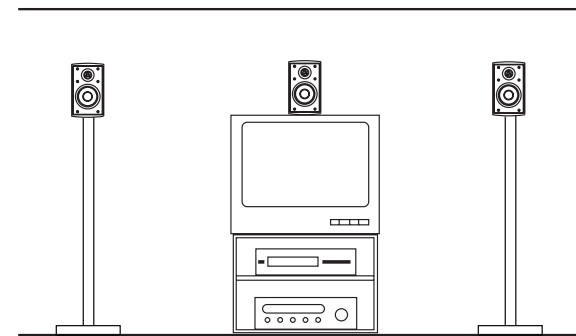


Figure 2 Proper placement of left/center/right front speakers.

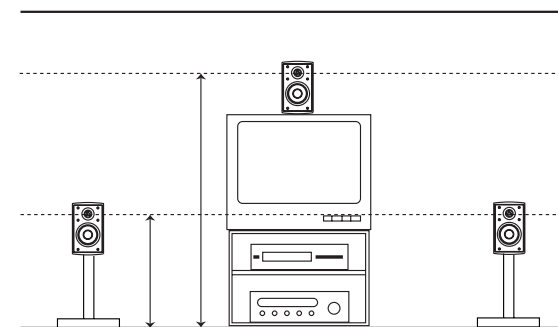


Figure 3 Improper placement of left/center/right front speakers.

12

# MP41 SET UP GUIDE

## HOME THEATER

### Typical Loudspeaker Placement

Figure 1 illustrates the most generally accepted speaker locations for a home theater system. Although there are an infinite number of set up options using Figure 1 as a template will certainly provide a great starting point. Experimentation with slightly different speaker locations may provide improved performance in your specific listening environment.

The front left and right speakers should form a 45 degree triangle using the center seating position as the apex.

The surround speakers should be placed beside the listening area, and pointed towards each other. It is also recommended that the speakers be 2-3 feet above the listeners head.

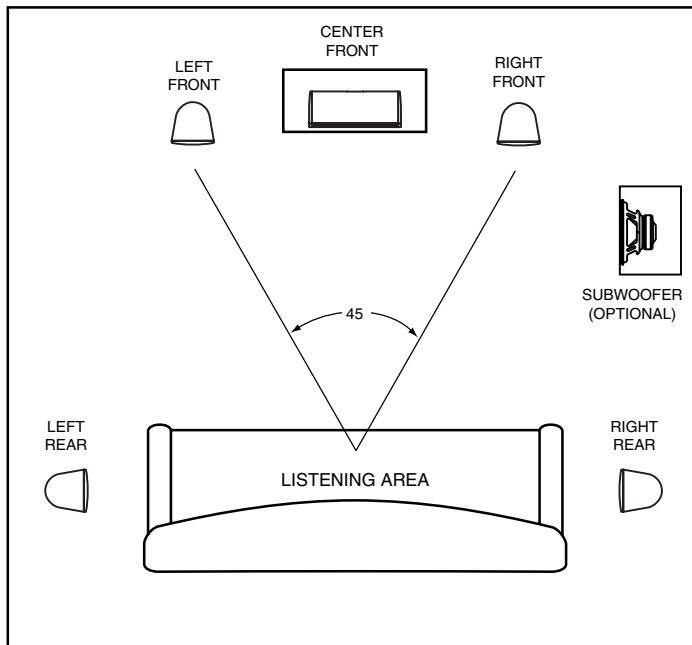
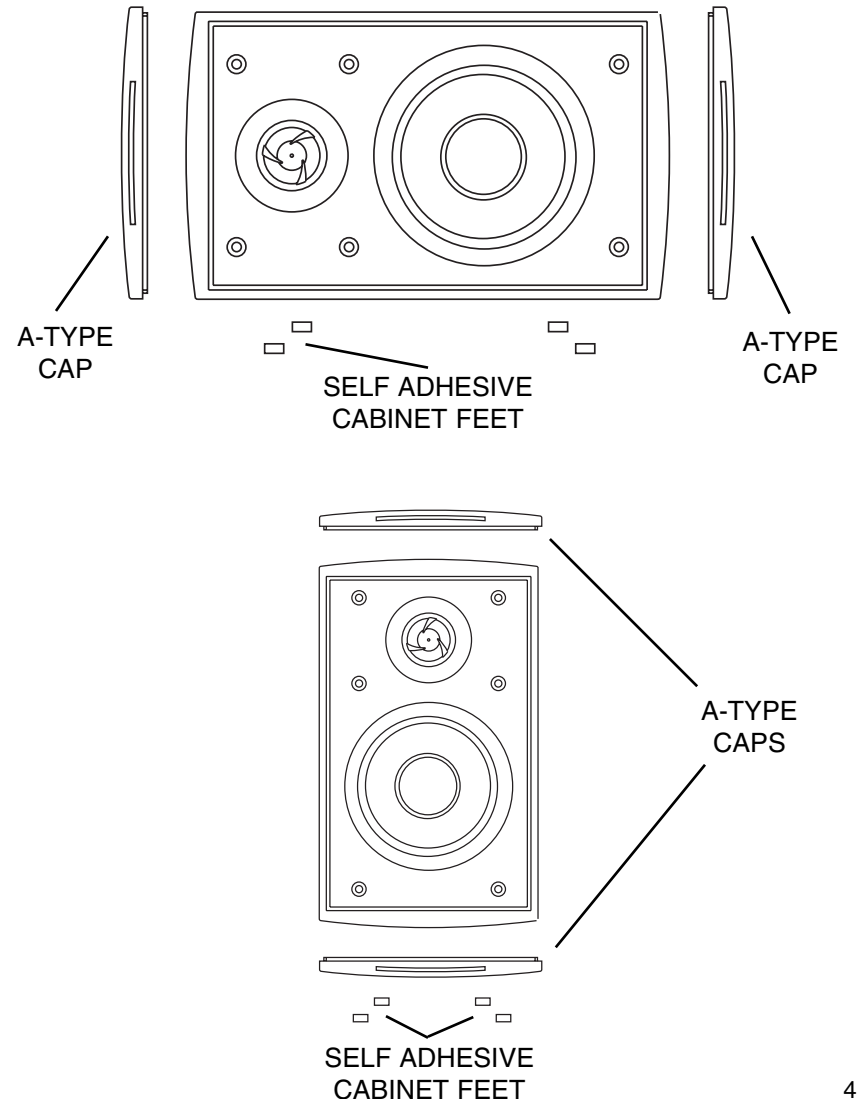


Figure 1 Typical loudspeaker placement in a home theater system.

# MP41 CONFIGURATION GUIDE

## CENTER CHANNEL

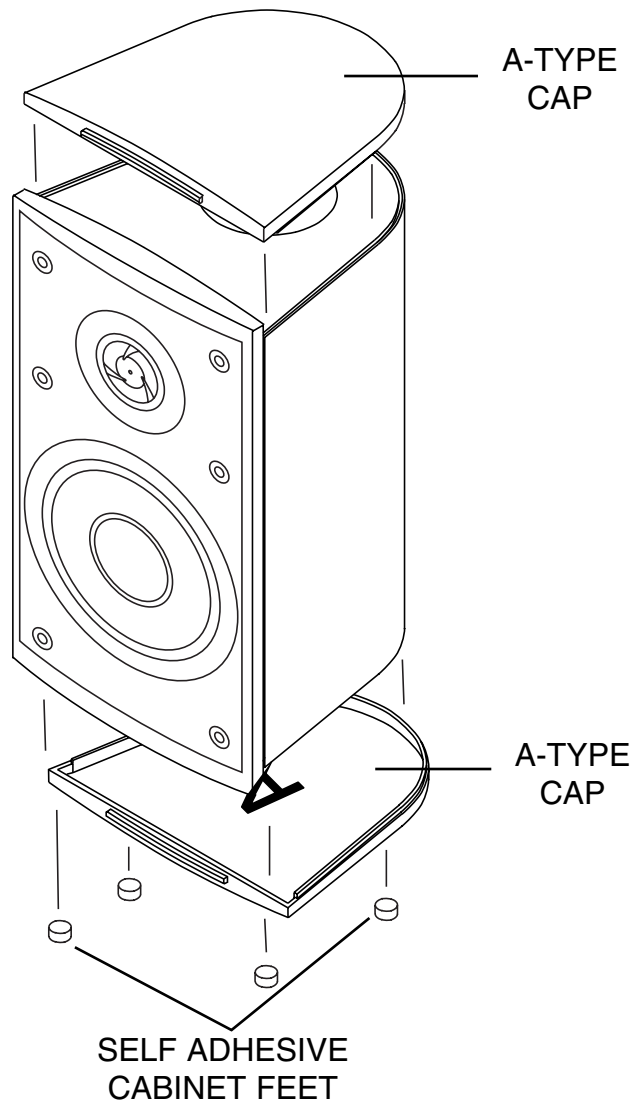
Remove the B-Type end caps, brass thumb screws, and aluminum mounting bracket. Replace the brass thumb screws in each end of the cabinet and snap A-Type end caps into place. Then simply place the self adhesive cabinet feet in the appropriate locations to protect the MP41 cabinet and whatever surface that it will sit on.



## MP41 CONFIGURATION GUIDE

### BOOKSHELF

Remove the B-Style end caps, brass thumb screws, and aluminum mounting bracket. Replace the brass thumb screws in each end of the cabinet and snap A-Type end caps into place. Then simply place the self adhesive cabinet feet in the appropriate locations to protect the MP41 cabinet and whatever surface that it will sit on.



## WIRING

### Connecting the Speakers to Your System

Though there are many sizes of speaker wire available, MTX recommends using 18 gauge or heavier wire to connect your loudspeakers to your amplifier or receiver.

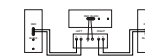
Before cutting the speaker wire to the proper lengths, be sure to leave an extra two or three feet of surplus wire, just in case you have to move the components around. Using a wire cutter or sharp knife, strip off about half an inch of insulation from both ends. Twist the exposed wires to make them easier to insert in the speaker terminals. Make sure that you unplug your amplifier or receiver before proceeding any further.

When using the MP41 as a center channel or surround speaker follow the hook-up directions included with your surround processor.

It is essential that you connect your two speakers "in phase". To do so, first take note of the code used on the speaker wire to differentiate between the two wires that run through it.

To wire your speakers in phase, make sure the positive (+) terminals on the back of your receiver are connected with the red terminals on the back of your loudspeakers, and the negative (-) terminals on the receiver are connected with the black terminals on the speakers (see diagram). Note that negative (-) terminals on the receiver may also be marked "common" or "ground" (GND).

Be certain that no stray strands of wire cross from one terminal to another on either speaker or receiver. This could result in a damaging short.

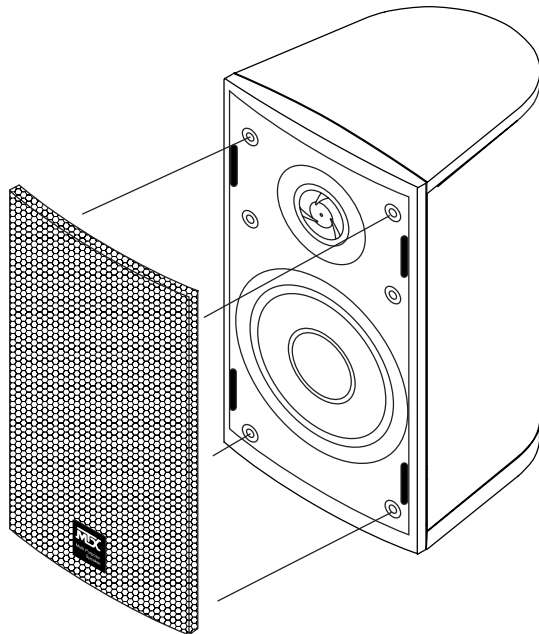


## PAINTING

Carefully remove the spring clip on the back of the grill logo and remove the logo. Mask the baffle area of the speaker cabinet out to the grill mounting groove. If you are going to mount the MP41 using the supplied wall bracket it is best to also mask off the foam rubber bracket gaskets at the top and bottom of the speaker cabinet. Almost any type of paint can be used but best results will be had using a quick drying enamel or lacquer spray paint. For best results always follow the paint manufacturers recommendations for proper application. After painting the cabinet, grill and applicable end caps allow the paint to dry thoroughly.

## GRILL ASSEMBLY

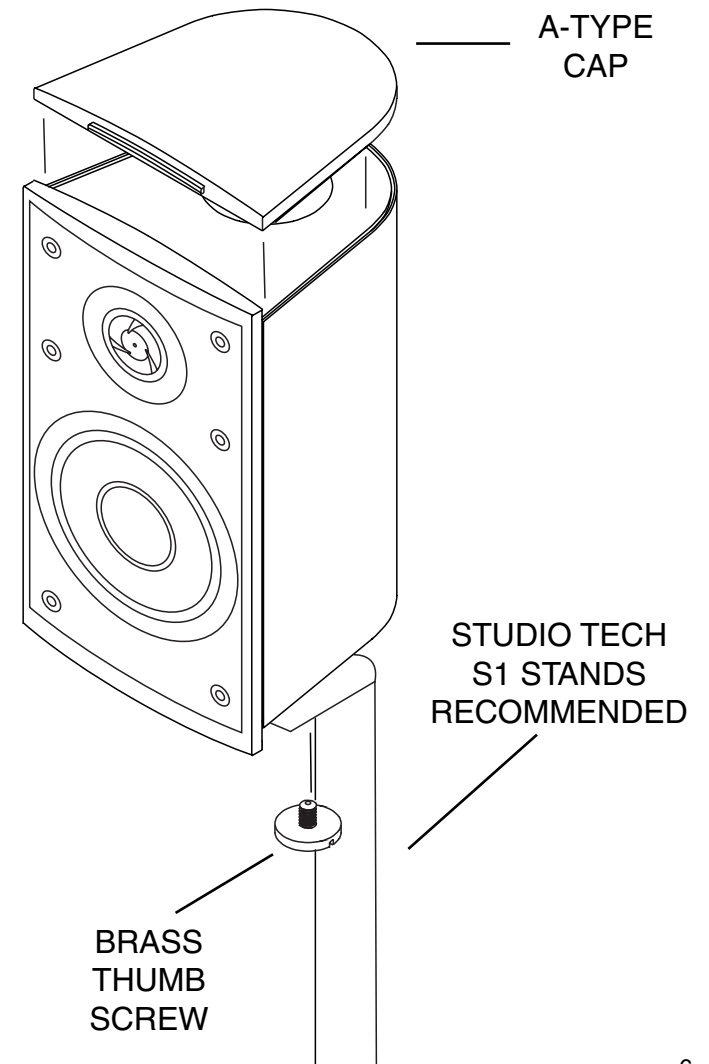
Place the four grill adhesive strips in the groove located at the outer rim of the baffle. Carefully snap the grill into place and rotate the logo for proper orientation.



## MP41 CONFIGURATION GUIDE

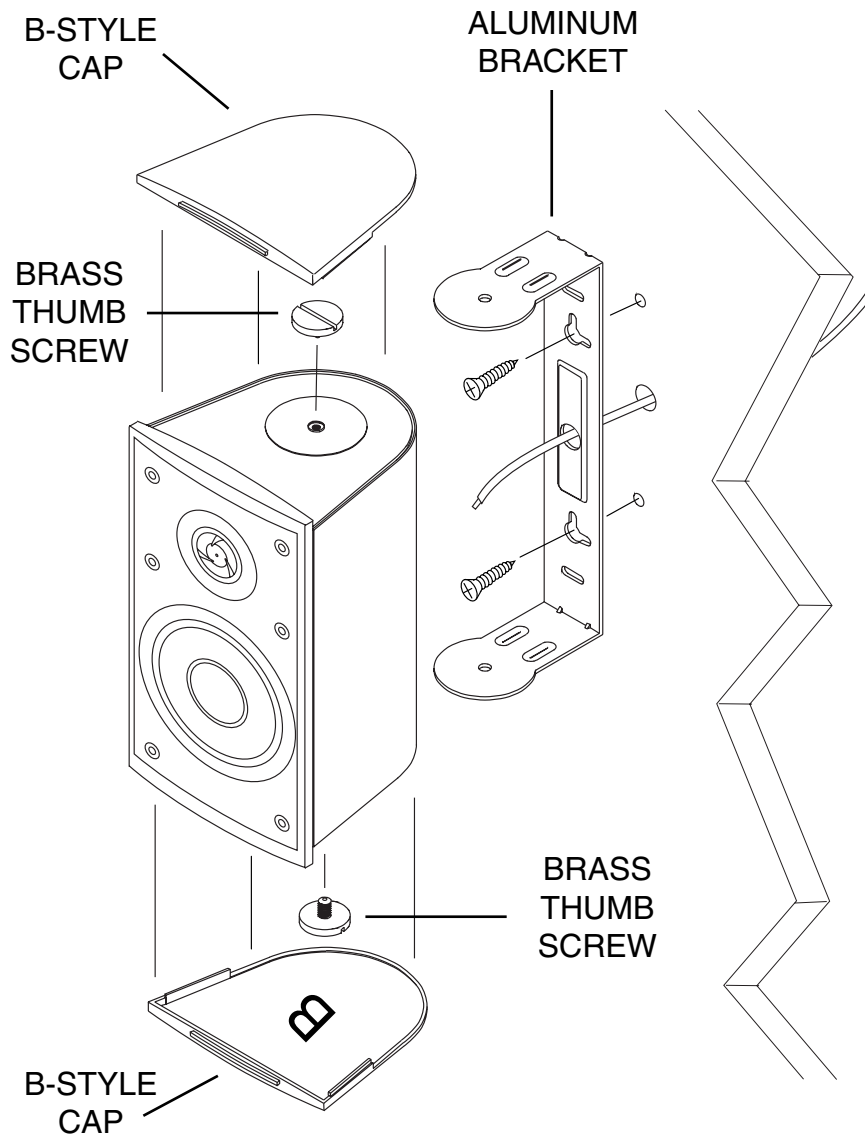
### FLOOR STAND

Remove the B-Type end caps, brass thumb screws, and aluminum mounting bracket. Replace the brass thumb screws in the top of the cabinet and snap an A-Type end cap into place. Then simply mount the MP52 to the recommended Studio Tech S1 stands using a 1/4-20 1" long hex head bolt. (Not Included)



## MP41 CONFIGURATION GUIDE

### BRACKET MOUNTING



## MP41 CONFIGURATION GUIDE

### BRACKET MOUNTING

- 1) Remove the B-Type end caps, brass thumb screws, and aluminum mounting bracket.
- 2) Hold the bracket up to the desired mounting surface. Being careful to leave enough space for tightening the brass thumb screws and installing the B-Type end caps.
- 3) Use a level or measuring tape to insure that the bracket is square with its surroundings.
- 4) Mark the locations of the bracket mounting screw holes.
- 5) Drill pilot holes (if required) into the mounting surface.
- 6) Pull the speaker wire through the center hole in the bracket.
- 7) Attach the bracket to the mounting surface. *Please Note: The MP41 weighs approximately 4 pounds, use only hardware that will support this type of load.*
- 8) Slide the MP41 cabinet into the mounting bracket and secure with the two brass thumb screws.
- 9) Adjust the MP41 cabinet for the desired angle and tighten the thumb screws.
- 10) Attach the B-Type end caps by inserting the cap mounting tab into the slot in the back of the speaker baffle. Then snap the cap down onto the brass thumb screws.



## Free Manuals Download Website

<http://myh66.com>

<http://usermanuals.us>

<http://www.somanuals.com>

<http://www.4manuals.cc>

<http://www.manual-lib.com>

<http://www.404manual.com>

<http://www.luxmanual.com>

<http://aubethermostatmanual.com>

Golf course search by state

<http://golfingnear.com>

Email search by domain

<http://emailbydomain.com>

Auto manuals search

<http://auto.somanuals.com>

TV manuals search

<http://tv.somanuals.com>