

MONSTER POWER®



Home Theatre
Reference
PowerCenter™
HTS 3600 MKII

[Owner's Manual](#)

PowerCenter™
de référence
pour cinéma maison
HTS 3600 MKII

[Guide de l'utilisateur](#)

TABLE OF CONTENTS

	Page
Important Safety Information	i
Proper Grounding and Installationiii
A Note from The Head Monster	1
Monster's Exclusive T2™ Technology	3
Monster's Patented Clean Power™ Stages	4
The Minds Behind The Monster PowerCenter™ Design	5
Monster HTS 3600 MKII PowerCenter Features	6
Hook-Up Guide	10
Digital Outlets	10
Video Outlets	11
Analog Audio Outlets	12
High Current Audio Outlets	13
Coaxial Connections	14
Phone Connections	15
Remote "DC In" Control	16
Remote "AC In" Control	16
Remote "DC Out" Control	16
Rack Mounting	17
Troubleshooting	18
Specifications	22
Appendices	
Owner's Manual in French (Guide d'Utilisation en Français)	31

IMPORTANT SAFETY INFORMATION

Please read and observe the following safety points at all times.

WARNING – Power Sources

Do not plug this PowerCenter™ into a power outlet that differs from the source indicated for safe use on the PowerCenter. If you don't know the type of electrical power that is supplied to your home, consult your local power company or a qualified electrician.

WARNING – Grounding and Polarization

- A. Do not force your PowerCenter™ plug into an outlet that is not designed to accept a three-wire grounded-type AC plug (a three-prong plug). This plug is designed to be inserted into a grounded-type outlet only. If this plug doesn't fit directly inside your outlet, do not attempt to force it into the outlet. Never attempt to dismantle the plug in any way (or to alter the power cord). Do not attempt to defeat the grounding feature by using a 3-to-2 prong adapter. If you have questions about grounding, consult your local power company or a qualified electrician.
- B. If you use rooftop devices such as satellite dishes, antennas, or any other component with wire that connects to your PowerCenter™, be sure the wire(s) is properly grounded. This protects against voltage surges and static charges.
- C. Do not place any antenna near overhead power lines or any other power circuit. Do not touch any power line or power circuit. Doing so may cause severe physical injury or possibly death.

WARNING – Liquid: Avoiding Electrical Shocks

- A. Do not operate your Monster PowerCenter if liquid of any kind is spilled onto or inside the unit.
- B. Do not operate your Monster PowerCenter near rain or water that's spilled or contained (e.g., bathtub, kitchen or sink).



⚠ WARNING – Power Cord Safety

- A. When routing your PowerCenter's AC power cord, do not place it near heavy foot traffic areas (e.g., hallways, doorways, and floors). Do not create a trip hazard with the power cord.
- B. If your power cord's protective jacket begins to rip or fray, exposing the internal wiring, shielding, etc., disconnect it from the power source and discontinue use of the Monster PowerCenter immediately. See the Warranty Information section of this owner's manual for important details.

⚠ WARNING – Storm Precautions

In the event of a lightning storm, it's always a good idea to disconnect your Monster PowerCenter; there is no need to disconnect your separate components. Make sure that ALL of your components and PC products are protected with Monster Power.

⚠ WARNING – No User Serviceable Parts Inside

If, for any reason, your PowerCenter is not operating properly, do not remove any part of the unit (cover, etc.) for repair. Unplug the unit and consult the Warranty Information section of this owner's manual for important details.

⚠ CAUTION – Exposure To Heat

Do not expose your PowerCenter to direct sunlight or place it near wall heaters, space heaters, or any enclosed space prone to temperature increase.

⚠ CAUTION – Proper Cleaning

In general, the only cleaning necessary for your Monster PowerCenter is a light dusting. Unplug your component from the wall before cleaning it. Do not use any type of liquid or aerosol cleaners.

PROPER GROUNDING AND INSTALLATION

WARNING – Proper Grounding

Monster PowerCenters require a properly grounded outlet for safety and to protect connected equipment. If you're not sure if your home's electrical wiring is properly grounded, have it checked by a qualified electrician.

Important Note – Proper Power and Protection

To completely protect your equipment against electrical surges, every AC power cable, coaxial cable and phone line in the system must be connected to an appropriate PowerCenter.

Important Note – Proper Protection and the Limited Connected Equipment Warranty

The \$500,000 Limited Connected Equipment Warranty becomes invalid if any wire (AC, coax or phone) or audio or video interconnect leading into the equipment comes from a component that is not properly protected by the PowerCenter. See the Warranty Information section of this owner's manual for important details.



A NOTE FROM THE HEAD MONSTER

Dear Enthusiast,

THANK YOU for purchasing the Monster Power Home Theatre Reference HTS 3600 MKII PowerCenter. This PowerCenter reflects our commitment to creating performance-enhancing solutions for home theater systems, so you can enjoy superior sound and picture quality.

As a long-time audiophile and serious home theater enthusiast, I always knew problematic AC power could degrade picture and sound quality. Unfortunately, ordinary AC power accessories can compromise the performance of the components they power. So, I decided to address the issue. And, with the help of Richard Marsh and other power experts, Monster Power was born. This PowerCenter's advanced technology and innovative design provides several unique performance and convenience features. Here are the highlights...

Monster PowerCenters do an excellent job of protecting your components from harmful power surges, but its benefits include much more than just surge protection. The patented Monster Clean Power™ filter circuitry virtually stops the electromagnetic and radio frequency noise that goes right through typical surge protectors which can degrade sound and picture quality. In addition, your PowerCenter also features patented noise isolation circuits that separate analog audio, video, digital and ultra-high current audio outlets. The result is high quality sound and picture that's free from performance-damaging interference.



Noel Lee

Other Monster Power breakthroughs include exclusive T2™ automatic disconnect protection circuitry and patented Tri-Mode™ protection (US 6,683,770 B1) featuring an audible alarm. These features automatically disconnect power from your electronics if you're hit by a big surge. We've also included surge-protected coax and phone connections to ensure protection for all of your components. Monster PowerCenters also feature a patent pending color-coding system, which identifies where each component should be connected.

These days, home theater components are better than ever, providing thrilling and dramatic sound and razor sharp picture. We know your new PowerCenter will help bring it all together with Clean Power and superior system protection. With Monster Power, you'll enjoy the best possible sound and picture. And, that's what home theater is all about.

A handwritten signature in black ink, appearing to read 'Noel Lee', with a stylized, cursive script.

Noel Lee,
The Head Monster

MONSTER'S EXCLUSIVE T2™ TECHNOLOGY

The Monster Power HTS 3600 MKII PowerCenter features exclusive Monster T2 technology. T2 is an active electronic microprocessor-controlled circuit that sits in front of the surge protection circuitry in select Monster Power products. T2 monitors the line, neutral and ground lines and automatically disconnects the PowerCenter from the AC power line when a long duration low-voltage sag or high-voltage swell occurs (continuous voltage below 70Vrms or above 132Vrms).

When the voltage sags or swells to these potentially damaging levels, ultra-fast T2 auto-disconnect protection circuitry shuts down the Monster PowerCenter for 15 seconds. When the under-voltage or over-voltage condition returns to normal, T2 reconnects the PowerCenter to full operation after 15 seconds. If the fault condition does *not* clear, the T2 comparator circuit keeps the unit shut down.

Unlike ordinary power management devices, T2 will shut down your PowerCenter before the MOVs (Metal Oxide Varistors) and thermal fuses sense an overload condition and sacrifice themselves to protect your connected components. This will extend the PowerCenter's life, while providing the system protection you need.

MONSTER'S PATENTED CLEAN POWER™ STAGES

Monster Clean Power performs two tasks that are vital to maintaining optimum home theater performance: 1) noise filtration and 2) noise isolation. The higher the Clean Power stage number (1-5), the more sophisticated and advanced the filters are that reject noise generated on the AC powerline. In addition, the higher the Clean Power stage number, the more isolation that exists between connected equipment for maximum rejection of component-generated noise.

Monster PowerCenters featuring Clean Power circuitry are each designated with a Clean Power Stage. The HTS 3600 MKII incorporates Monster Clean Power **Stage 3** circuitry which filters both AC powerline noise and reduces noise generated by your connected equipment. Clean Power Stage 3 features three ultra-advanced, isolated filters that include analog audio, video and digital, plus an high current audio filter to provide for the best possible AC powerline noise rejection and inter-component isolation for improved component-generated noise rejection. All of these features make the HTS 3600 MKII ideal for your home theater system. To learn more about patented Monster Clean Power and the complete product family of PowerCenters, voltage stabilizers and amplifiers, please visit **MonsterPower.com**.

THE MINDS BEHIND THE MONSTER POWERCENTER DESIGN



Richard Marsh – There are few experts able to solve the complex problems associated with AC power and complex home theater systems. Richard Marsh is one of these illustrious few. He has designed best selling power conditioning components costing more than \$3,000 US and now brings his expertise to Monster Power. Richard developed Monster's patented Clean Power™ circuitry which is incorporated into many of Monster's PowerCenters. He is also responsible for several other groundbreaking designs. Richard's background and research into amplifier and capacitor design led to his development of the Servo-DC feedback concept in power amplifiers – a concept that is used by virtually every amplifier manufacturer today. His status as both the inventor of the MultiCap™ internal bypass capacitor and as the driving force behind the high-end audio balanced circuit design concept has influenced the audiophile community for years. Richard is responsible for some of the high-end audio world's most respected product designs, essays and articles, and has contributed to *The Absolute Sound* and *Audio* magazines. He is included in *Who's Who in the West*.



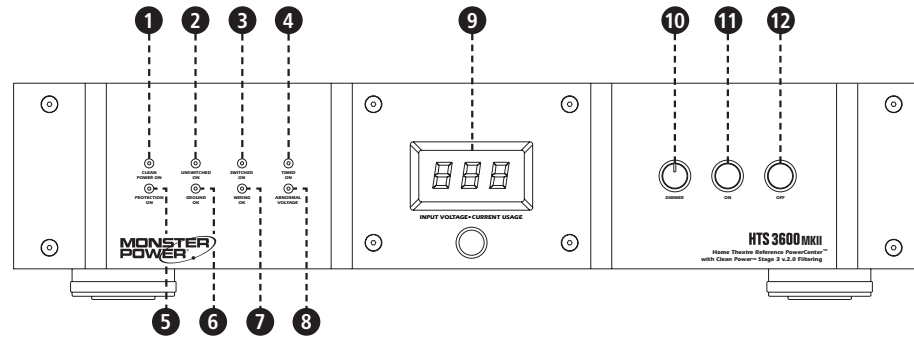
Demian Martin – Demian Martin has been solving complex AC power problems for several years. As a technical consultant for successful paper and steel mills, Demian helped create several innovative AC power solutions. He developed techniques to dramatically improve the efficiency of these factories' high power motor control systems – up to 50,000 watts — helping them avoid the costly premiums many factories must pay for AC power inefficiency. Demian was also the co-founder of Spectral Audio and was the chief designer of their many pioneering designs for amplifiers, D/A converters, and other high-end audio designs. He now brings his expertise to Monster Power's elite research and development team.



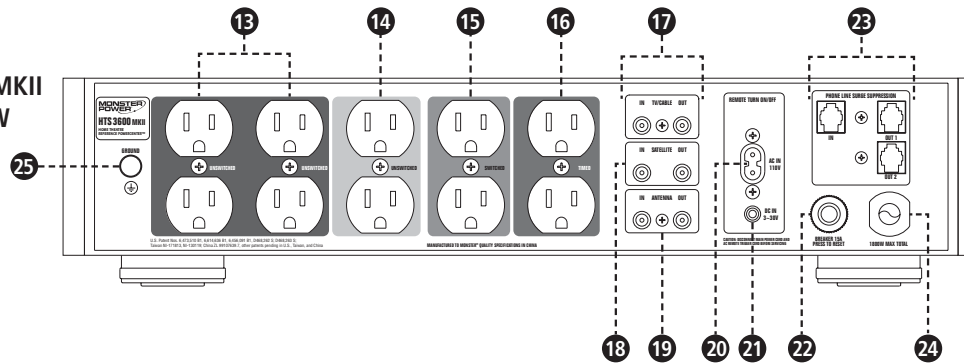
Noel Lee – Noel Lee, The Head Monster, is best known for popularizing the concept of high performance audio cable 25 years ago with his creation of Monster Cable. Originally a laser-fusion design engineer at Lawrence Livermore National Laboratory and later a touring musician, Noel has invented or co-invented over 250 U.S. and international patents and drives the explosive growth of The Monster Group companies in more than 80 countries worldwide. Monster Power is Noel's realization of a long-nurtured vision of making affordable power solutions that deliver the best possible sound and picture.

MONSTER HTS3600 MKII POWERCENTER FEATURES

HTS 3600 MKII
FRONT VIEW



HTS 3600 MKII
REAR VIEW



HTS 3600 MKII POWERCENTER FEATURES

1. **"Protection On" Indicator:** Indicates Monster surge protection circuitry is functioning properly.
2. **"Unswitched On" Indicator:** Indicates power is being supplied to the unswitched outlets.
3. **"Switched On" Indicator:** Indicates power is being supplied to the switched outlets.
4. **"Timed On" Indicator:** Indicates power is being supplied to outlets with the sequential turn-on feature.
5. **"Wiring OK" Indicator:** Indicates if the Line and Neutral wires from the wall outlet to the PowerCenter are reversed. Please consult your electrician to correct this immediately.
6. **"Ground OK" Indicator:** Indicates the PowerCenter is plugged into a properly grounded 120V AC outlet.
7. **"Clean Power On" Indicator:** Indicates Monster Clean Power circuitry is functioning properly.
8. **"Abnormal Voltage" Indicator:** Indicates that the incoming voltage is below approximately 70V AC or above approximately 130V AC.
9. **Digital Input Voltage and Current Usage Meter:** Indicates input voltage and amperage draw.
10. **Dimmer Knob:** Adjusts the brightness of the Digital Input Voltage and Current Usage Meter.
11. **"On" Button:** Turns on outlets programmed as "SWITCHED ON" or "SWITCHED ON AFTER DELAY".
12. **"Off" Button:** Turns off outlets programmed as "SWITCHED ON" or "SWITCHED ON AFTER DELAY".
13. **Digital Filter:** These outlets have a specifically designed filter circuit that reduces interference to your digital components.

- 14. Video Filter:** These outlets have a specifically designed filter circuit that reduces interference to your video components.
- 15. Analog Audio Filter:** These outlets have a specifically designed filter circuit that reduces interference to your audio components.
- 16. High Current Audio Filter (Switched/Timed Outlets):** These outlets have a specifically designed filter circuit for high power audio components like amplifiers and pre-amplifiers.
- 17. TV/Cable Protection:** Provides surge protection for a TV/cable connection. The input connects the coaxial cable from your antenna. The output connects the coaxial cable to your TV or cable box input.
- 18. Satellite Protection:** Provides surge protection for a satellite connection. The input connects the coaxial cable from your satellite dish. The output connects the coaxial cable to your satellite receiver input.
- 19. Antenna Protection:** Provides surge protection for an antenna connection. The input connects the coaxial cable from your radio antenna. The output connects the coaxial cable to your television.
- 20. Remote "AC In" Control:** Allows the PowerCenter to be automatically turned on by a remote AC trigger plugged into an outlet on another component, such as an AV receiver.
- 21. Remote "DC In" Control:** Allows you to automatically turn on the PowerCenter via the Remote "DC Out" on another component, such as an A/V receiver.
- 22. Resettable 15 Amp Circuit Breaker:** Protects the PowerCenter from continuous power overload.
- 23. Phone Line Surge Suppression:** Provides surge protection against damaging voltage surges and spikes from the phone line.

24. High Current PowerLine™ 200 AC Power Cable: High density double shielded AC power cord specially designed to maximize power transfer.

25. Ground Terminal: Provides a ground reference point for any ungrounded components.

HOOK-UP GUIDE

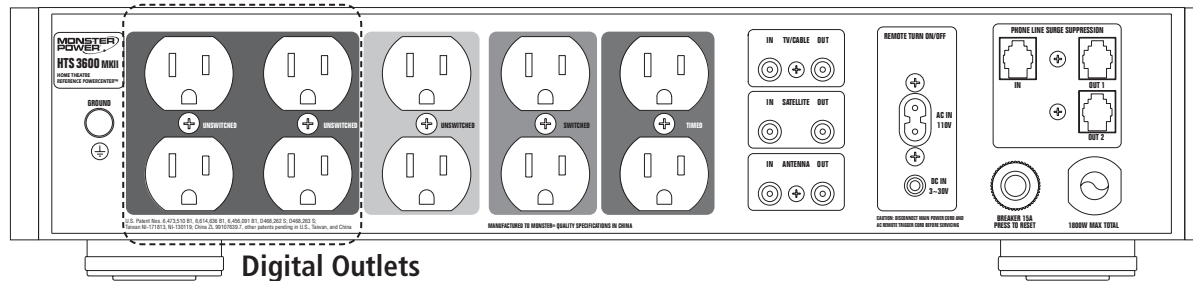
Digital Outlet Hook-Up

These outlets have a special filter circuit that is optimized to reduce interference to your digital components.

- A) Attach a Monster Power identification label to each component's power cord before you plug it into the appropriate color-coded PowerCenter outlet.
- B) Plug each component's power cord (Cable/SAT, DVD, etc.) into the PowerCenter's corresponding outlet. For components not listed, determine if they are audio, video, digital or high current audio components, and use a corresponding outlet for best performance.

IMPORTANT NOTE

It does not harm analog audio, video, or high current audio components to be connected to the digital outlets. However, for best performance, we recommend plugging in only digital components to the digital outlets.



HOOK-UP GUIDE

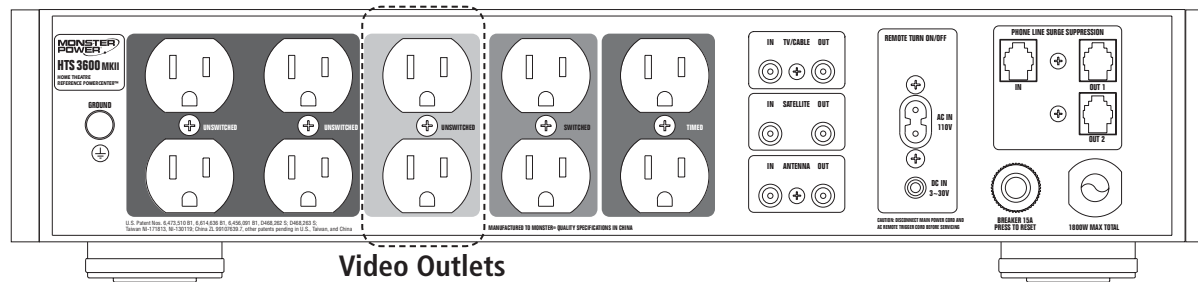
Video Outlet Hook-Up

These outlets have a special filter circuit that is optimized to reduce interference to your video components.

- A) Attach a Monster Power identification label to each component's power cord before you plug it into the appropriate color-coded PowerCenter outlet.
- B) Plug each component's power cord (TV/Monitor, VCR) into the PowerCenter's corresponding outlet. For components not listed, determine if they are audio, video, digital or high current audio components, and use a corresponding outlet for best performance.

IMPORTANT NOTE

It does not harm analog audio, digital, or high current audio components to be connected to the video outlets. However, for best performance, we recommend plugging in only video components to the video outlets.



HOOK-UP GUIDE

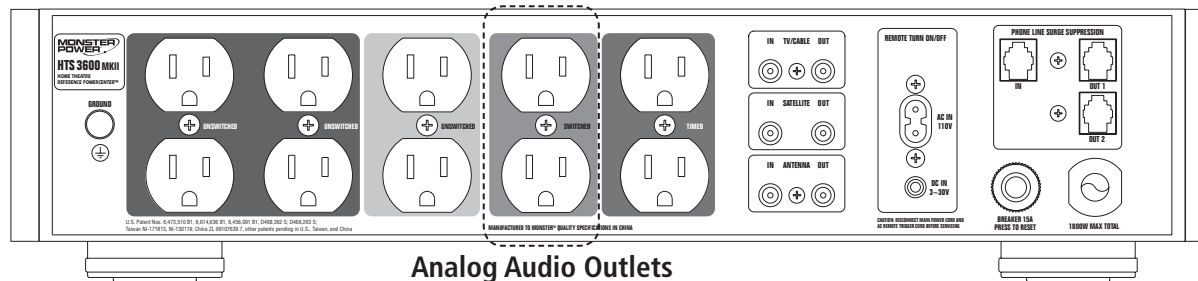
Analog Audio Outlet Hook-Up

These outlets have a special filter circuit that is optimized to reduce interference to your audio components.

- A) Attach a Monster Power® identification label to each component's power cord before you plug it into the appropriate color-coded PowerCenter outlet.
- B) Plug each component's power cord (Receiver, Processor, etc.) into the PowerCenter's corresponding outlet. For components not listed, determine if they are audio, video, digital, or high current audio, and use a corresponding outlet for best performance.

IMPORTANT NOTE

It does not harm video, digital, or high current audio components to be connected to the analog audio outlets. However, for best performance, we recommend plugging in only analog audio components to the analog audio outlets.

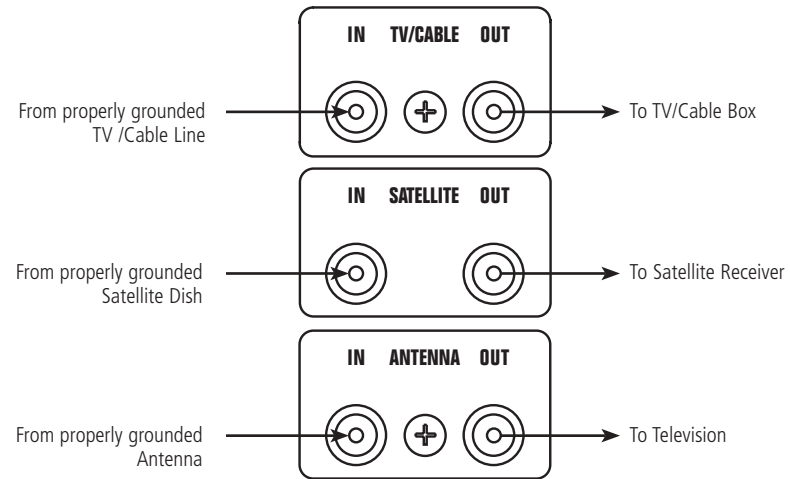


HOOK-UP GUIDE

Coaxial Connections Hook-Up

Coaxial Connections provide surge protection against damaging voltage surges and spikes on the incoming coax cable.

Protect TV/Cable, Satellite and Antenna Connections as Follows:



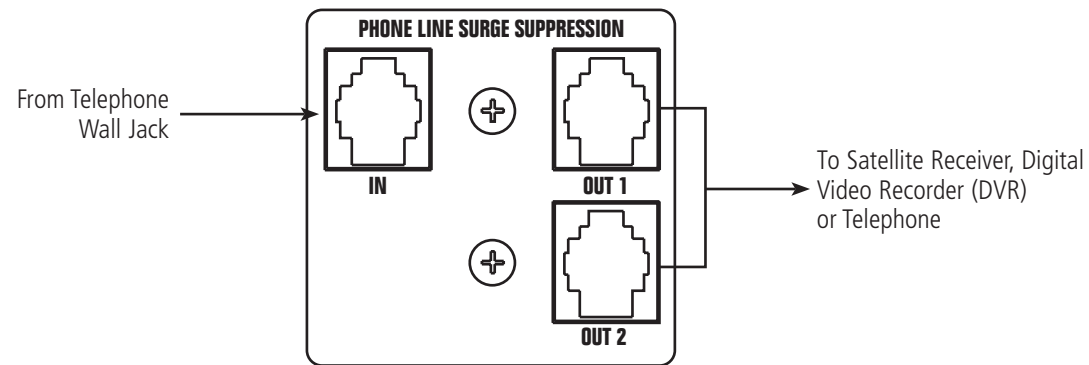
Note: You may need additional coaxial cables to connect the HTS 3600 MKII to your components.

HOOK-UP GUIDE

Phone Connections Hook-Up

Phone connections provide surge protection against damaging voltage surges and spikes coming from the phone line. This PowerCenter also incorporates a phone splitter for convenience.

Protect Phone Line Connections as Follows:



NOTE: The HTS3600 MKII is not intended for hook-up of any phone which carries two separate phone lines on a single 4-pin RJ11 jack.

HOOK-UP GUIDE

Remote "DC In" Control Hook-Up

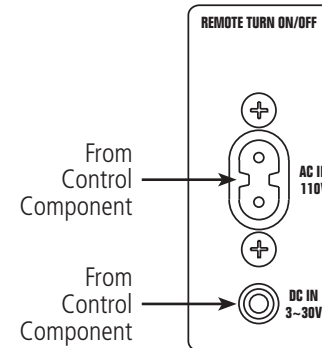
This feature connects your PowerCenter to an automated Home Theater control system or allows another component with a Remote "DC Out" connection to automatically turn on and off your PowerCenter.

- A) Plug the AC power cable of the component you are using to control the PowerCenter into an unswitched outlet on the PowerCenter. Note: This component must deliver a control voltage between 3-30 volts DC.
- B) Plug one end of the 1/8" miniplug (supplied) into the corresponding Remote "DC In" connection on the PowerCenter.
- C) Plug the other end of the 1/8" miniplug into the Remote "DC Out" connection on the component that you want to turn on and off the PowerCenter's Switched Outlets when it is turned on.

Remote "AC In" Control Hook-Up

This feature connects your PowerCenter to an automated Home Theater control system or allows another component with an AC outlet connection (for example, an AV receiver or preamplifier for example) to automatically turn on and off your PowerCenter.

- A) Insert the Remote "AC IN" Control cord's female plug into the "AC IN" 120V connection.
- B) Insert the Remote "AC IN" Control cord's 2-prong male plug into a switched AC power outlet on the component (AV receiver or preamplifier). When this device is turned on, the outlets programmed as "Switched On" on the PowerCenter will turn on immediately. The outlets programmed as "Switched On After Delay" will turn on after the set time delay.

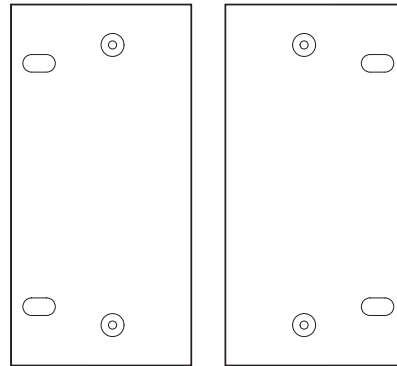


HOOK-UP GUIDE

Rack Mounting Your PowerCenter

This Monster PowerCenter includes two "Rack Ears" mounting plates for installation into a standard size equipment rack.

- A) Remove your PowerCenter trim covers using a $\frac{3}{32}$ or 2.5 mm Allen (Hex) key (not included). Turn each Allen screw counter-clockwise until the screw is completely removed.
- B) Align one rack ear over the two holes on the left side of the PowerCenter. Using the Allen key, turn the two screws clockwise until tight. Repeat this step for the right side of the PowerCenter.
- C) Place the PowerCenter into the rack and align the holes with the holes of your rack. Insert rack screws (not provided) and turn clockwise until tight.



Rack Ears

TROUBLESHOOTING

Symptom	Possible Cause	Remedy
The PowerCenter is not receiving power.	The PowerCenter is not turned On.	<ul style="list-style-type: none">• Turn the PowerCenter switch on.• Make sure the PowerCenter's AC power plug is plugged into a properly grounded 120 volts (nominal) wall outlet.• In some households, a wall switch may need to be thrown to make the wall plug active. Try turning on the light switches located near the wall unit.
	Too many devices are connected, causing an overload, tripping the Thermal Circuit Breaker.	<ul style="list-style-type: none">• Press the PowerCenter Thermal Circuit Breaker button in to reset. Please allow 10 minutes before attempting to reset. If you reset too soon, the breaker will prematurely sense power overload and not allow unit to operate.• If the Circuit Breaker continues to trip, try moving one or more components to another PowerCenter. You may be drawing too much current through one PowerCenter.

TROUBLESHOOTING

Symptom	Possible Cause	Remedy
Component is not receiving power	The component is plugged into a switched outlet and the PowerCenter has not been turned On.	<ul style="list-style-type: none"> • Turn the PowerCenter On. • Or, plug the component into an Unswitched outlet.
	The PowerCenter is plugged into a Switched outlet, but power on the component is not On. In some instances, a component plugged into a switched outlet won't receive power when the PowerCenter is turned On unless the component power is also switched On.	<ul style="list-style-type: none"> • Turn the component power On.
Speakers emit a humming or buzzing noise	The PowerCenter is sharing AC power with equipment that is not properly grounded.	<ul style="list-style-type: none"> • Connect your PowerCenter to a dedicated outlet. • Try unplugging different components from the PowerCenter one at a time to see if the noise stops. If a component is discovered to be improperly grounded, attach a copper wire from the component's chassis to the PowerCenter's grounding post.

TROUBLESHOOTING

Symptom	Possible Cause	Remedy
The Unswitched LED on front panel is Off.	The PowerCenter is not plugged in.	<ul style="list-style-type: none"> • Plug the PowerCenter into a properly grounded 120 volts (nominal) outlet and make sure it is on.
	The PowerCenter is plugged in, but the outlet is not receiving power.	
The Switched LED is Off.	You are using the Switched Outlet Remote Turn-On feature and haven't plugged the plug into the component you wish to use to activate the Remote Turn-On.	<ul style="list-style-type: none"> • Plug the plug into the component you wish to use to activate the Remote Turn-On.
	The component remote control you are using to power the Remote turn-on has a dead battery.	<ul style="list-style-type: none"> • Replace the battery powering the component remote control. • Plug the component into a properly grounded 120 volt (nominal) outlet.
	The component you wish to use to activate the Remote Turn-On isn't plugged into a properly grounded 120 volt (nominal) outlet.	<ul style="list-style-type: none"> • Plug the PowerCenter into a properly grounded 120 volts (nominal) outlet.

TROUBLESHOOTING

Symptom	Possible Cause	Remedy
"Timed On" indicator on front panel is Off.	You are using the Remote Turn-On feature (Same as Switched) and haven't plugged the plug into the component you wish to use to activate the Remote Turn-On.	<ul style="list-style-type: none"> • Plug the plug into component you wish to use to activate the Remote Turn-On.
	The component remote control you are using to power the Remote turn-on has a dead battery.	<ul style="list-style-type: none"> • Replace the battery powering the component remote control.
	The component you wish to use to activate the Remote Turn-On isn't plugged into a properly grounded 120 volt (nominal) outlet.	<ul style="list-style-type: none"> • Plug the component into a properly grounded 120 volt (nominal) outlet.
Video picture has rolling bars or ghosting.	The incoming video signal is not properly grounded.	<ul style="list-style-type: none"> • Contact your cable or satellite provider to correct your installation.
The PowerCenter is emitting a loud buzzing alarm.	The PowerCenter protection circuitry has sacrificed itself to protect connected equipment from a catastrophic surge.	<ul style="list-style-type: none"> • The PowerCenter must be replaced. See the Warranty Information section for important details.

SPECIFICATIONS

HTS 3600 MKII POWERCENTER

Continuous Duty Electrical Rating	120V/60Hz		
Maximum Current Rating	15A/1800W		
Protection Modes	Line-Neutral (L-N) Line-Ground (L-G) Neutral-Ground (N-G)		
Total Energy Dissipation	6500 Joules		
Clamping Level (TVSS Voltage)	330 Volts		
Clamping Response Time	Less than 1 Nanosecond (<1Ns)		
Remote "DC In" Control	3 – 30V DC		
Remote "DC Out" Control	12V DC 100mA		
Dimensions	Width:	17"	434.0mm
	Height with Feet:	5.275"	134.0mm
	Height without Feet:	5.9"	150.0mm
	Depth:	14.42"	366.5mm



**PowerCenter™
de référence
pour cinéma maison
HTS 3600 MKII**

Guide de l'utilisateur

TABLE DES MATIÈRES

	Page
Consignes de sécurité importantesiv
Mise à la terre et installation appropriéesvi
Message du Head Monster	35
Technologie T2™ exclusive de Monster™	37
Étapes du Clean Power™ breveté de Monster	38
Les cerveaux à l'origine du concept du PowerCenter™ Monster	39
Caractéristiques du PowerCenter Monster HTS 3600 MKII	40
Guide de branchement	44
Prises numériques	44
Prises vidéo	45
Prises audio analogiques	46
Prises audio à haute intensité	47
Connexions coaxiales	48
Connexions téléphoniques	49
Connexion à distance « DC In » (entrée c.c.)	50
Connexion à distance « AC In » (entrée c.a.)	50
Connexion à distance « DC Out » (sortie c.c.)	50
Montage sur bâti	51
Dépannage	52
Spécifications	56

INFORMATIONS IMPORTANTES SUR LA SÉCURITÉ

Veillez lire et respecter les consignes de sécurité suivantes en toutes circonstances.

MISE EN GARDE – Sources d'alimentation

Ne pas brancher ce PowerCenter™ dans une prise de courant autre que la source indiquée comme étant sécuritaire sur le PowerCenter. Veuillez consulter l'entreprise de distribution électrique de votre région ou un électricien qualifié si vous ignorez le type d'alimentation électrique de votre domicile.

MISE EN GARDE – Mise à la terre et polarisation

- A. Ne pas forcer pour introduire la fiche de votre PowerCenter™ dans une prise de courant qui n'est pas conçue pour recevoir les fiches trifilaires de mise à la terre (fiche à trois broches). Cette fiche est prévue pour fonctionner uniquement dans une prise de mise à la terre. Si elle refuse de s'emboîter directement dans la prise électrique, ne pas forcer. Ne jamais tenter de démonter la fiche (ou de modifier le cordon d'alimentation) de quelque façon que ce soit. Ne pas tenter de rendre inopérante la fonction de mise à la terre par l'utilisation d'un adaptateur de 3 à 2 broches. Pour toute question concernant la mise à la terre, consultez l'entreprise d'alimentation électrique de votre région ou un électricien qualifié.
- B. En cas d'utilisation d'appareils installés sur le toit, tels qu'une antenne parabolique ou de télévision classique ou autre composant ayant un câble relié au PowerCenter™, s'assurer qu'ils sont mis à la terre de façon appropriée. Cette précaution protège l'appareil contre les surtensions et les charges électrostatiques.
- C. Ne jamais placer d'antenne près des lignes aériennes d'électricité ou de tout autre circuit d'alimentation. Ne toucher aucune ligne ou circuit électrique sous peine de s'exposer à de graves blessures physiques, voire mortelles.

MISE EN GARDE – Liquides : Éviter les risques d'électrocution

- A. Ne pas faire fonctionner le PowerCenter Monster si un liquide quelconque a été renversé sur ou dans l'appareil.
- B. Ne pas faire fonctionner le PowerCenter Monster dans une zone exposée à la pluie ou dans laquelle de l'eau est utilisée (par exemple, bain, cuisine, lavabo).

⚠ MISE EN GARDE – Consignes de sécurité concernant le cordon d'alimentation

- A. Ne pas faire passer le cordon d'alimentation c.a. du produit Monster près des zones de passages fréquents (par exemple, vestibules, entrées de porte et sol). Éviter tout risque de trébuchement avec le cordon d'alimentation.
- B. Si la gaine du cordon électrique commence à se déchirer ou à s'effiloche, exposant ainsi le câblage interne, le blindage ou autre, débrancher le cordon de la source d'alimentation et cesser immédiatement d'utiliser le PowerCenter Monster. Consulter les renseignements relatifs à la garantie dans ce guide de l'utilisateur pour les détails importants.

⚠ MISE EN GARDE – Précautions en cas d'orage

En cas d'orage, il est toujours conseillé de débrancher le PowerCenter Monster ; néanmoins, il n'est pas nécessaire de débrancher les différents composants. S'assurer que TOUS les composants et produits PC sont protégés par Monster Power.

⚠ MISE EN GARDE – Aucune pièce interne n'est réparable par l'utilisateur

Si le PowerCenter ne fonctionne pas normalement, qu'elle qu'en soit la raison, ne retirer aucune pièce de l'appareil (couvercle, etc.) pour la réparer. Débrancher le dispositif et consulter les renseignements relatifs à la garantie dans ce manuel de l'utilisateur pour tout détail important.

⚠ ATTENTION – Exposition à la chaleur

Ne pas exposer le PowerCenter à la lumière directe du soleil ni l'installer près de radiateurs muraux et de radiateurs indépendants, ou encore dans des lieux clos sujets à des hausses de température.

⚠ ATTENTION – Conseils de nettoyage

Généralement, le PowerCenter Monster ne nécessite qu'un simple époussetage. Débrancher le composant de la prise murale avant de le nettoyer. Ne pas utiliser de nettoyeurs liquides ou en aérosol.

MISE À LA TERRE ET INSTALLATION APPROPRIÉES

MISE EN GARDE – Mise à la terre appropriée

Les PowerCenters Monster nécessitent une prise de mise à la terre adéquate pour des questions de sécurité et pour protéger le matériel branché. En cas de doute sur le câblage électrique de votre domicile, le faire vérifier par un électricien qualifié.

Remarque importante – Alimentation et protection appropriées

Tous les câbles d'alimentation c.a., les câbles coaxiaux et les lignes téléphoniques du système doivent être branchés dans un PowerCenter approprié afin d'assurer la protection optimale de tous les appareils contre les surtensions.

Remarque importante – Protection appropriée et garantie limitée du matériel branché

La garantie limitée de 500 000 USD du matériel branché est nulle et non avenue si l'un des fils (électrique, coaxial ou téléphonique) ou si l'interconnexion audio ou vidéo du matériel part d'un composant qui n'est pas adéquatement protégé par le PowerCenter. Consulter les renseignements relatifs à la garantie dans ce guide de l'utilisateur pour les détails importants.

MESSAGE DU HEAD DE MONSTER

Chère passionnée, cher passionné,

NOUS VOUS REMERCIONS d'avoir fait l'acquisition du PowerCenter de référence HTS 3600 MKII pour cinéma maison. Ce PowerCenter reflète notre engagement à créer des solutions visant à améliorer la performance des systèmes de cinéma maison afin que vous puissiez bénéficier d'un son et d'une image supérieurs.

Audiophile de longue date et fervent du cinéma maison, j'ai toujours été convaincu qu'une alimentation électrique problématique pouvait altérer la qualité du son et de l'image. Malheureusement, les accessoires courants pour alimentation c.a. peuvent compromettre la performance des composants qu'ils alimentent. J'ai donc décidé de m'attaquer à ce problème. Avec l'aide de Richard Marsh et d'autres experts en électricité, Monster Power est né. La technologie de pointe et la conception novatrice de ce PowerCenter offrent plusieurs caractéristiques de performance et de commodité uniques. En voici les points forts...

Les PowerCenters Monster sont parfaits pour protéger vos composants en cas de dangereuses surtensions de secteur, mais ces avantages vont au-delà de la simple protection de surtension. Les circuits à filtres brevetés Clean Power™ Monster font obstacle à pratiquement toutes les interférences électromagnétiques et parasites de radiofréquences qui passent directement à travers des protecteurs de surtension habituels et risquent d'altérer la qualité du son et de l'image. En outre, votre PowerCenter est équipé de circuits



Noel Lee

brevetés pour isoler les parasites et séparer les sorties audio analogiques, vidéo et audio à ultra haute intensité. Le résultat se traduit par un son et une image de haute qualité, sans interférences qui affectent la performance.

Le circuit de protection à déconnexion automatique exclusif T2™ et la protection brevetée Tri-Mode™ (US 6,683,770 B1) dotée d'une alarme sonore comptent parmi les autres innovations de pointe de Monster Power. Ces protections déconnectent automatiquement vos composants électroniques en cas de surtension importante. Nous avons également inclus des connexions coaxiales et téléphoniques protégées contre les surtensions, afin d'assurer la protection de tous vos composants. Les PowerCenters Monster sont aussi équipés d'un système de codage couleur en instance de brevet qui facilite le raccordement des différents composants.

Les composants du cinéma maison actuels surpassent toute la technologie précédente, assurant un son phénoménal et fascinant ainsi qu'une image d'une netteté exceptionnelle. Nous savons que votre nouveau PowerCenter va vous permettre d'obtenir le rendement optimal de tous vos composants avec l'aide des circuits Clean Power et de leur système de protection supérieur. Avec Monster Power, vous bénéficiez d'une qualité audio et vidéo inégalées. N'est-ce pas là le but du cinéma maison !



Noel Lee,

The Head Monster

TECHNOLOGIE T2™ EXCLUSIVE DE MONSTER

Le PowerCenter Monster Power HTS 3600 MKII est doté de la technologie T2 exclusive de Monster. Le T2 est un circuit électronique actif commandé par microprocesseur et installé devant le circuit de protection, qui agit contre les surtensions sur certains produits Monster Power. Le T2 contrôle la ligne, les lignes neutre et au sol, et déconnecte automatiquement le PowerCenter de la ligne d'alimentation c.a. lors des chutes et des hausses de tension de longue durée (tension continue inférieure à 70 Vrms ou supérieure à 132 Vrms).

Lorsque la tension chute ou monte à ces niveaux potentiellement dangereux, le circuit de protection à déconnexion automatique ultra rapide T2 éteint le PowerCenter Monster pendant 15 secondes. Lorsque la tension redevient normale, le T2 remet le PowerCenter en mode de fonctionnement intégral après 15 secondes. Si le problème de tension *persiste*, le circuit comparateur du T2 maintient l'unité hors fonction.

Contrairement aux dispositifs de gestion d'alimentation classiques, le T2 éteint le PowerCenter avant que les varistances à oxyde métallique et les fusibles thermiques détectent une surcharge et se sacrifient pour protéger les composants branchés. Cette fonction permet ainsi de prolonger la longévité du PowerCenter tout en offrant au système la protection nécessaire.

NIVEAUX DU CLEAN POWER™ BREVETÉ DE MONSTER

Monster Clean Power effectue deux tâches essentielles au maintien du rendement optimal du cinéma maison :

1) la filtration des parasites et 2) l'isolation des parasites. Plus le niveau du Clean Power est élevé (1-5), plus les filtres sont sophistiqués et avancés, éliminant ainsi les parasites de la ligne d'alimentation c.a. En outre, plus le niveau du Clean Power est élevé, plus le niveau d'isolation entre les appareils branchés l'est également afin de produire un rejet maximal des parasites générés par les appareils.

Les PowerCenters Monster dotés des circuits Clean Power sont tous désignés par un certain niveau de Clean Power. Les circuits de **niveau 3** du Monster Clean Power intégré au HTS 3600 MKII filtrent le bruit de la ligne d'alimentation c.a. et réduisent les parasites générés par les appareils qui y sont branchés. Le Clean Power de niveau 3 est doté de filtres isolés ultra sophistiqués (audio analogique, vidéo et numérique), et d'un filtre audio à haute intensité qui procurent le meilleur rejet possible des parasites de la ligne d'alimentation c.a. et la meilleure isolation possible entre les appareils, assurant ainsi une élimination plus importante des parasites produits par ces appareils. Avec toutes ces caractéristiques, le HTS 3600 MKII est vraiment idéal pour votre système de cinéma maison. Pour en savoir plus sur le Clean Power Monster breveté ainsi que la gamme complète de produits PowerCenters, les régulateurs et les amplificateurs de tension, visitez notre site **MonsterPower.com**.

LES CERVEAUX À L'ORIGINE DU CONCEPT DU POWERCENTER MONSTER



Richard Marsh – Peu d'experts sont capables de résoudre les problèmes complexes liés à l'alimentation c.a. et aux systèmes de cinéma maison. Richard Marsh compte parmi ces rares derniers. Il a conçu nombre des meilleurs composants de conditionnement d'alimentation d'un prix supérieur à 3 000 USD et met maintenant son expertise au service de Monster Power. Richard a mis au point les circuits du Clean Power™ breveté intégrés dans de nombreux PowerCenters Monster. Il est aussi à l'origine de plusieurs autres concepts novateurs. Les antécédents et la recherche de Richard sur la conception d'amplificateurs et de condensateurs l'ont conduit à développer le concept de dispositif de rétroaction c.c. asservie pour les amplificateurs de puissance. Ce concept est d'ailleurs maintenant utilisé par pratiquement tous les fabricants d'amplificateurs. En tant qu'inventeur du condensateur de dérivation interne MultiCap™ et d'élément moteur du concept de circuit audio équilibré haut de gamme, son influence sur les audiophiles se fait ressentir depuis de nombreuses années. Richard est à l'origine de plusieurs essais, articles et concepts de produits audio haut de gamme parmi les plus réputés au monde. Il a également collaboré à la rédaction d'articles pour le magazine *The Absolute Sound* et autres revues du genre. Enfin, il figure dans le *Who's Who in the West*.

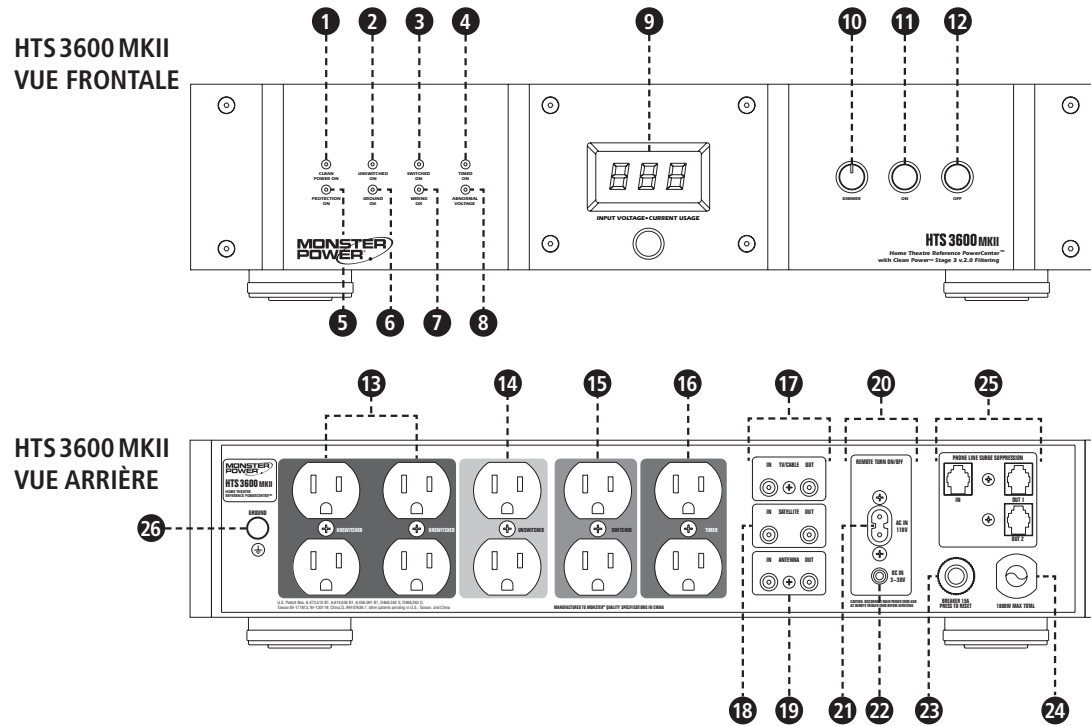


Demian Martin – Demian Martin résout des problèmes d'alimentation c.a. complexes depuis plusieurs années. À titre de conseiller technique pour le compte d'usines de papier et d'aciéries renommées, Demian a participé à l'élaboration de plusieurs solutions novatrices dans l'alimentation c.a. Les techniques qu'il a développées ont considérablement amélioré l'efficacité des systèmes de commande de moteur de haute puissance – jusqu'à 50 000 watts – de ces usines, leur permettant ainsi d'éviter les indemnités élevées que plusieurs fabricants doivent verser compte tenu de l'inefficacité de l'alimentation c.a. Demian est aussi le co-fondateur de Spectral Audio et le concepteur en chef de plusieurs modèles novateurs d'amplificateurs, de convertisseurs N/A et autres concepts audio haut de gamme. Il met maintenant son expertise au service de l'équipe de recherche et développement d'élite de Monster Power.



Noel Lee – Noel Lee, le Head Monster, est essentiellement connu pour avoir popularisé le concept des câbles audio de haut rendement il y a 25 ans avec sa création de Monster Cable. À l'origine ingénieur concepteur de fusion par laser au Lawrence Livermore National Laboratory et plus tard musicien de tournée, Noel a obtenu, seul ou en équipe, plus de 250 brevets américains et internationaux, tout en menant la croissance explosive des entreprises du groupe Monster dans plus de 80 pays. Monster Power est l'aboutissement d'un projet longuement mûri par Noel afin de produire des solutions d'alimentation abordables capables de générer la meilleure qualité audio et vidéo possible.

CARACTÉRISTIQUES DU POWERCENTER MONSTER HTS 3600 MKII



CARACTÉRISTIQUES DU POWERCENTER MONSTER HTS 3600 MKII

1. **Voyant « Protection On » (protection activée)** : Indique le bon fonctionnement de la protection Monster contre les surtensions.
2. **Voyant « Unswitched On » (prises non commutées activées)** : Indique la mise sous tension des prises non commutées.
3. **Voyant « Switched On » (prises commutées activées)** : Indique la mise sous tension des prises commutées.
4. **Voyant « Timed On » (temporisation activée)** : Indique que les sorties sont sous tension avec activation de la fonctionnalité séquentielle.
5. **Voyant « Wiring OK » (câblage correct)** : Indique que les fils ligne et neutre de la prise murale de branchement du PowerCenter sont inversés. Consulter un électricien sans délai pour rectifier le problème.
6. **Voyant « Ground OK » (mise à la terre correcte)** : Indique que le PowerCenter est branché dans une sortie 120 V c.a. correctement mise à la terre.
7. **Voyant « Clean Power On » (Clean Power activé)** : Indique que les circuits du Clean Power Monster fonctionnent correctement.
8. **Voyant « Abnormal Voltage » (tension anormale)** : Indique que la tension d'arrivée est inférieure à 70 V c.a. ou supérieure à 130 V c.a.
9. **Compteur numérique de tension d'entrée et de consommation électrique** : Indique la tension d'entrée et l'ampérage utilisé.
10. **Commande d'intensité** : Régle l'intensité lumineuse du compteur numérique de la tension d'entrée et de consommation électrique.

11. **Touche « On » (mise en marche)** : Met en marche les sorties programmées telles que « Switched On » (commutées) ou « Switched On After Delay » (commutées en différé).
12. **Touche « Off » (arrêt)** : Éteint les sorties programmées telles que « Switched On » (commutées) ou « Switched On After Delay » (commutées en différé).
13. **Filtre numérique** : Ces prises sont dotées d'un circuit de filtrage spécifiquement conçu pour réduire les interférences dans les composants numériques.
14. **Filtre vidéo** : Ces prises sont dotées d'un circuit de filtrage spécifiquement conçu pour réduire les interférences dans les composants vidéo.
15. **Filtre audio analogique** : Ces prises sont dotées d'un circuit de filtrage spécifiquement conçu pour réduire les interférences dans les composants audio.
16. **Filtre audio à ultra haute intensité (prises commutées/temporisées)** : Ces prises sont dotées d'un circuit de filtrage spécialement optimisé pour réduire les interférences dans les composants audio à haute intensité, tels que les amplificateurs et pré-amplificateurs.
17. **Protection TV/Câble** : Protège contre les surtensions du branchement TV/câble. L'entrée sert à raccorder le câble coaxial partant de l'antenne. La sortie sert à raccorder le câble coaxial sur l'entrée du téléviseur ou du décodeur.
18. **« Satellite Protection » (protection de l'antenne parabolique)** : Procure une protection contre les surtensions pour le raccordement d'une antenne parabolique. L'entrée sert à raccorder le câble coaxial partant de l'antenne parabolique. La sortie sert à raccorder le câble coaxial dans l'entrée du récepteur de l'antenne parabolique.
19. **« Antenna Protection » (protection de l'antenne)** : Protège contre les surtensions du branchement d'antenne. L'entrée sert à raccorder le câble coaxial partant de l'antenne radio. La sortie sert à raccorder le câble coaxial sur le téléviseur.

- 20. **Connexion à distance « AC In » (entrée c.a.)** : Permet de mettre en marche automatiquement le PowerCenter avec une connexion à distance c.a., branchée dans la sortie d'un autre composant tel qu'un récepteur A/V.
- 21. **Connexion à distance « DC In » (entrée c.c.)** : Permet de mettre en marche automatiquement le PowerCenter, via la connexion à distance « DC Out » (sortie c.c.), à partir d'un autre composant tel qu'un récepteur A/V.
- 22. **Disjoncteur réenclenchable 15 A** : Protège le PowerCenter en cas de surcharge électrique continue.
- 23. **Phone Line Surge Suppression (protection contre les surtensions de la ligne téléphonique)** : Protège contre les surtensions et les variations brusques destructrices en provenance de la ligne téléphonique.
- 24. **Câble d'alimentation c.a. à haute intensité PowerLine™ 200** : Cordon d'alimentation c.a. de haute densité à double protection, spécialement conçu pour optimiser les transmissions.
- 25. **Borne de terre** : Fournit un point de référence à la terre pour tout composant non mis à la terre.

GUIDE DE BRANCHEMENT

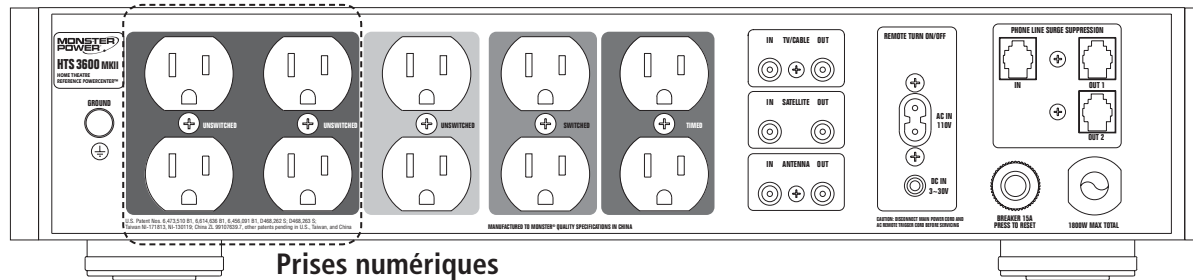
Branchement des prises numériques

Ces prises sont dotées d'un circuit de filtrage spécialement optimisé pour réduire les interférences dans les composants numériques.

- A) Fixer une étiquette d'identification Monster Power au cordon d'alimentation de chaque composant avant de les brancher dans les prises du PowerCenter à codage couleur correspondant.
- B) Brancher chaque cordon d'alimentation (câble/satellite, DVD, etc) dans la prise correspondante du PowerCenter. Pour les composants non répertoriés, déterminer s'il s'agit d'un composant audio, vidéo, numérique ou audio à haute intensité et utiliser la prise correspondante afin d'obtenir le meilleur rendement.

REMARQUE IMPORTANTE

Le branchement aux prises numériques n'endommage pas les composants audio analogiques, vidéo ou audio à haute intensité. Cependant, pour un rendement optimal, nous recommandons de brancher seulement les composants numériques dans les prises numériques.



GUIDE DE BRANCHEMENT

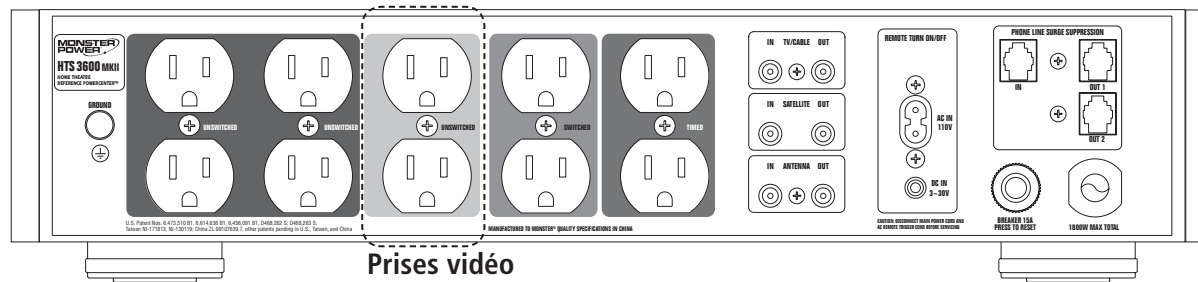
Branchement des prises vidéo

Ces prises sont dotées d'un circuit de filtrage spécialement optimisé pour réduire les interférences dans les composants vidéo.

- A) Fixer une étiquette d'identification Monster Power au cordon d'alimentation de chaque composant avant de les brancher dans les prises du PowerCenter à codage couleur correspondant.
- B) Brancher chaque cordon d'alimentation (téléviseur/moniteur, magnétoscope) dans la prise correspondante du PowerCenter. Pour les composants non répertoriés, déterminer s'il s'agit d'un composant audio, vidéo, numérique ou audio à haute intensité et utiliser la prise correspondante afin d'obtenir le meilleur rendement.

REMARQUE IMPORTANTE

Le branchement aux prises vidéo n'endommage pas les composants audio analogiques, numériques ou audio à haute intensité. Cependant, pour un rendement optimal, nous recommandons de brancher seulement les composants vidéo dans les prises vidéo.



GUIDE DE BRANCHEMENT

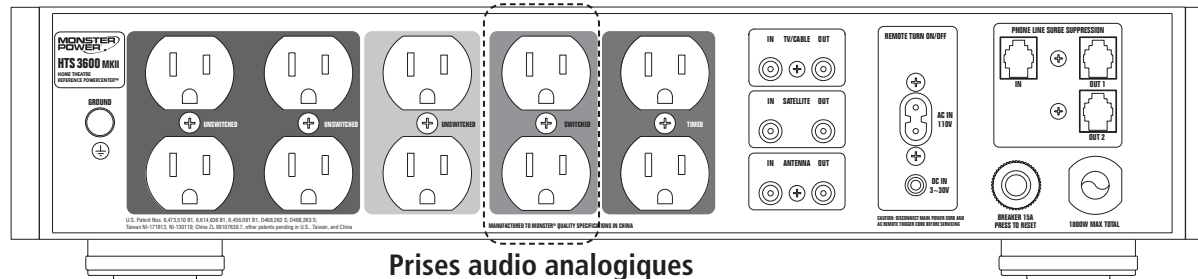
Branchement des prises audio analogiques

Ces prises sont dotées d'un circuit de filtrage spécialement optimisé pour réduire les interférences dans les composants audio.

- A) Fixer une étiquette d'identification Monster Power® au cordon d'alimentation de chaque composant avant de les brancher dans les prises du PowerCenter à codage couleur correspondant.
- B) Brancher les cordons d'alimentation des différents composants (récepteur, processeur, etc.) dans la prise correspondante du PowerCenter. Pour les composants non répertoriés, déterminer s'il s'agit d'un composant audio, vidéo, numérique ou audio à haute intensité et utiliser la prise correspondante afin d'obtenir le meilleur rendement.

REMARQUE IMPORTANTE

Le branchement aux prises audio analogiques n'endommage pas les composants vidéo, numériques ou audio à haute intensité. Cependant, pour un rendement optimal, nous recommandons de brancher seulement les composants audio analogiques dans les prises audio analogiques.



GUIDE DE BRANCHEMENT

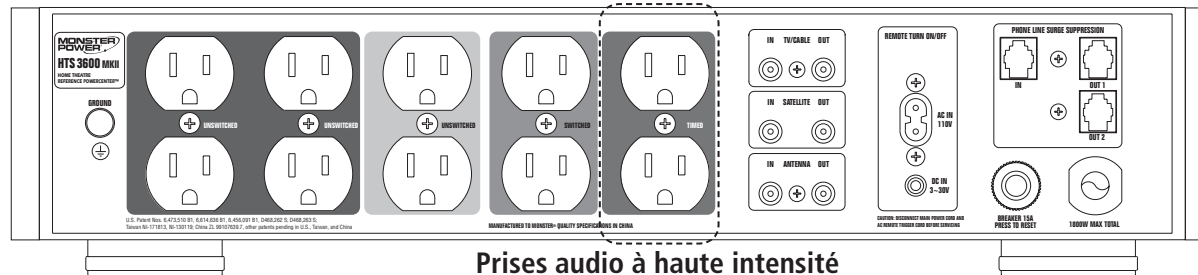
Branchement des prises audio à haute intensité

Ces prises sont conçues pour fournir une intensité maximale aux composants les plus gourmands tels que les amplificateurs et les pré-amplificateurs.

- A) Fixer une étiquette d'identification Monster Power® au cordon d'alimentation de chaque composant avant de les brancher dans les prises du PowerCenter à codage couleur correspondant.
- B) Brancher les cordons d'alimentation des différents composants (amplificateur, etc.) dans la prise correspondante du PowerCenter. Pour les composants non répertoriés, déterminer s'il s'agit d'un composant audio, vidéo, numérique ou audio à ultra haute intensité et utiliser la prise correspondante afin d'obtenir le meilleur rendement.

REMARQUE IMPORTANTE

Le branchement des prises audio à haute intensité n'endommage pas les composants audio, vidéo ou numériques. Cependant, nous recommandons de brancher les composants audio à haute intensité seulement dans les prises audio à haute intensité, afin d'obtenir un meilleur rendement.

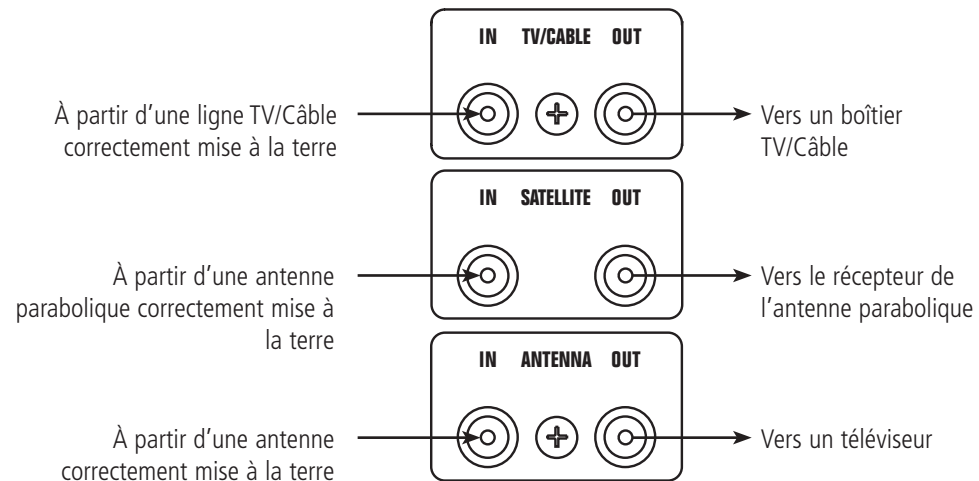


GUIDE DE BRANCHEMENT

Branchement des connexions coaxiales

Les connexions coaxiales procurent une protection contre les surtensions et les brusques variations destructrices en provenance du câble coaxial d'entrée.

Protègent les connexions TV/câble, satellite et antenne comme suit :



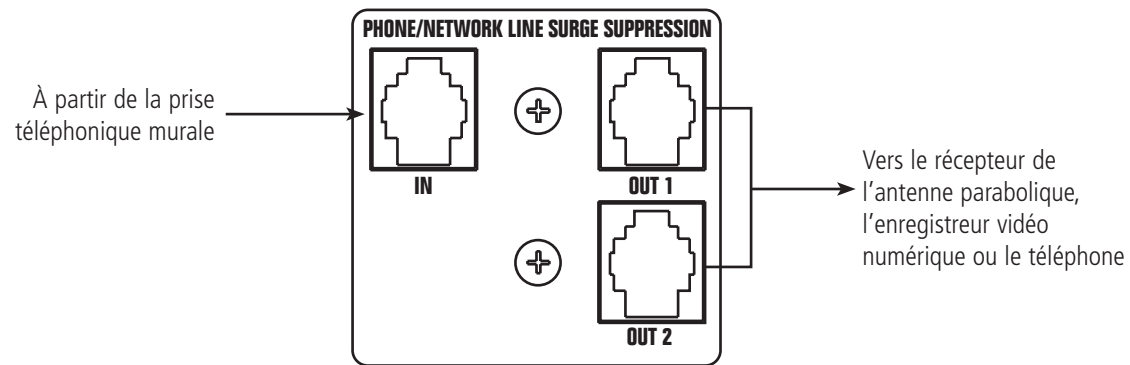
À noter : Prévoir au besoin des câbles coaxiaux additionnels pour raccorder le HTS 3600 MKII à tous vos composants.

GUIDE DE BRANCHEMENT

Branchement des connexions téléphoniques

Les connexions téléphoniques procurent une protection contre les surtensions et les brusques variations destructrices en provenance de la ligne téléphonique. Ce PowerCenter est également doté d'un répartiteur téléphonique pour des questions de commodité.

Protègent les connexions des lignes téléphoniques comme suit :



À noter : Le PowerCenter HTS 3600 MKII n'est pas prévu pour le raccordement des téléphones ayant deux lignes téléphoniques distinctes sur une seule fiche RJ11 à 4 broches.

GUIDE DE BRANCHEMENT

Branchement de la connexion à distance « DC In » (entrée c.c.)

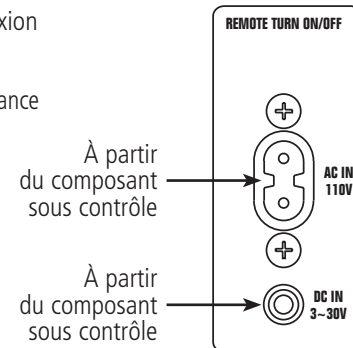
Cette fonctionnalité connecte le PowerCenter sur un système automatisé de cinéma maison ou permet à un appareil muni d'une connexion à distance « DC Out » (sortie c.c.) d'activer automatiquement la mise en marche et l'arrêt du PowerCenter.

- A) Brancher le câble d'alimentation c.a. de l'appareil utilisé pour commander le PowerCenter dans une prise non commutée du PowerCenter. À noter : Cet appareil doit fournir une tension de commande comprise entre 3 et 30 volts c.c.
- B) Brancher une extrémité de la mini-fiche de 1/8 po (fournie) dans la connexion à distance « DC In » (entrée c.c.) correspondante du PowerCenter.
- C) Brancher l'autre extrémité de la mini-fiche de 1/8 po dans la connexion à distance « DC Out » (sortie c.c.) correspondante de l'appareil dont la mise en marche et l'arrêt seront placés sous le contrôle du PowerCenter une fois sous tension.

Branchement de la connexion à distance « AC In » (entrée c.a.)

Cette fonctionnalité connecte le PowerCenter sur un système automatisé de cinéma maison ou permet à un appareil muni d'une connexion à distance « AC Out » (sortie c.a.) (par exemple, un récepteur AV ou préamplificateur) d'activer automatiquement la mise en marche et l'arrêt du PowerCenter.

- A) Insérer la fiche femelle du cordon de connexion à distance « AC IN » (entrée c.a.) dans la connexion 120 V « AC IN » (entrée c.a.).
- B) Insérer la fiche mâle à 2 broches du cordon de connexion à distance « AC IN » (entrée c.a.) dans l'une des prises c.a. commutées du composant (récepteur AV ou préamplificateur). Lorsque l'appareil est sous tension, les sorties programmées « Switched On » (prises commutées activées) du PowerCenter vont s'activer immédiatement. Les sorties programmées « Switched On After Delay » (commutées en différé) vont s'activer après le délai établi.

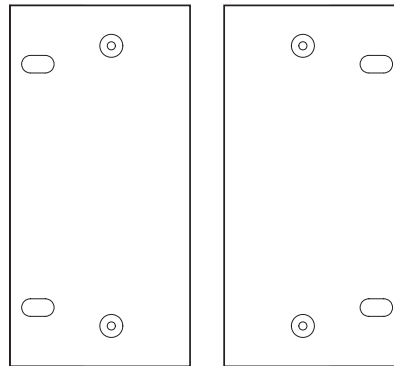


GUIDE DE BRANCHEMENT

Montage sur bâti du PowerCenter

Deux plaques de montage avec oreilles de montage sont incorporées à ce PowerCenter Monster en vue d'une installation dans un bâti standard.

- A) Retirer les couvre-joints du PowerCenter à l'aide d'une clef Allen (hexagonale) de $\frac{3}{32}$ ou 2,5 mm (non fournie). Desserrer chaque vis Allen dans le sens inverse des aiguilles d'une montre jusqu'au retrait total de la vis.
- B) Aligner l'une des oreilles de montage sur les deux trous situés à gauche du PowerCenter. À l'aide de la clef Allen, visser les deux vis dans le sens des aiguilles d'une montre jusqu'à ce qu'elles soient bien serrées. Procéder de la même façon pour le côté droit du PowerCenter.
- C) Placer le PowerCenter dans le bâti et aligner les trous sur ceux du bâti. Insérer les vis (non fournies) puis visser vers la droite jusqu'à ce qu'elles soient fermement serrées.



Oreilles de montage

DÉPANNAGE

Symptôme	Cause possible	Solution
Le PowerCenter n'est pas sous tension.	Le PowerCenter n'est pas allumé.	<ul style="list-style-type: none">• Mettre le PowerCenter sous tension.• S'assurer que la prise c.a. du PowerCenter est branchée dans une prise murale de 120 V (nominal) correctement mise à la terre.• Dans certaines maisons, il peut être nécessaire de basculer un interrupteur mural en position de marche pour que la prise soit sous tension. Essayer d'allumer les lumières situées près de l'unité murale.
	Trop d'appareils ont été branchés, ce qui a provoqué une surcharge et déclenché le disjoncteur thermique.	<ul style="list-style-type: none">• Appuyer sur le disjoncteur thermique du PowerCenter pour la remise à l'état initial. Compter 10 minutes avant la remise à l'état initial. Si la remise à l'état initial est effectuée trop tôt, le disjoncteur détectera prématurément une surcharge de courant et ne permettra pas le fonctionnement de l'appareil.• Si le disjoncteur continue à se déclencher, essayer de rebrancher un ou plusieurs composants sur un autre PowerCenter. Il est possible que la quantité de courant utilisée par le PowerCenter soit trop importante.

DÉPANNAGE

Symptôme	Cause possible	Solution
Un composant n'est pas sous tension.	Le composant est branché dans une prise commutée et le PowerCenter n'est pas allumé.	<ul style="list-style-type: none"> • Mettre le PowerCenter sous tension. • Ou brancher le composant dans une prise non commutée.
	Le PowerCenter est branché dans une prise commutée, mais le composant n'est pas sous tension. Dans certains cas, un composant branché dans une sortie commutée n'est pas alimenté par la mise sous tension du PowerCenter, sauf si ce composant est également allumé.	<ul style="list-style-type: none"> • Allumer le composant.
Les haut-parleurs émettent un bourdonnement.	Le PowerCenter partage le courant c.a. avec un appareil qui n'est pas correctement mis à la terre.	<ul style="list-style-type: none"> • Brancher le PowerCenter dans une prise dédiée. • Débrancher les différents composants du PowerCenter un par un pour vérifier si le bruit cesse. S'il s'avère que l'un des composants est mal mis à la terre, fixer un fil de cuivre du châssis du composant sur la borne de terre du PowerCenter.

DÉPANNAGE

Symptôme	Cause possible	Solution
Le voyant à DEL non commuté sur la façade n'est pas allumé.	Le PowerCenter n'est pas branché.	<ul style="list-style-type: none"> • Brancher le PowerCenter dans une prise de 120 V (nominal) correctement mise à la terre et s'assurer qu'il est sous tension.
	Le PowerCenter est branché, mais la prise n'est pas sous tension.	
Le voyant à DEL commuté est éteint.	La fonctionnalité de connexion à distance d'une prise commutée est utilisée en omettant de brancher la prise du composant à activer par la connexion à distance.	<ul style="list-style-type: none"> • Brancher la prise dans le composant devant être activé par la connexion à distance.
	Les piles de la télécommande du composant utilisé pour établir la connexion à distance sont mortes.	<ul style="list-style-type: none"> • Changer les piles de la télécommande du composant. • Brancher le composant dans une sortie de 120 V (nominal) correctement mise à la terre.
	Le composant que vous voulez utiliser pour établir la connexion à distance n'est pas branché dans une prise de 120 V (nominal) correctement mise à la terre.	<ul style="list-style-type: none"> • Brancher le PowerCenter dans une sortie de 120 V (nominal) correctement mise à la terre.

DÉPANNAGE

Symptôme	Cause possible	Solution
Le voyant « Timed On » (temporisation activée) situé sur la façade est éteint.	La fonctionnalité de connexion à distance (la même que commutée) est utilisée en ayant omis de brancher la prise dans le composant choisi pour activer par la connexion à distance.	<ul style="list-style-type: none"> • Brancher la prise dans le composant devant être activé par la connexion à distance.
	Les piles de la télécommande du composant utilisé pour établir la connexion à distance sont mortes.	<ul style="list-style-type: none"> • Changer les piles de la télécommande du composant.
	Le composant que vous voulez utiliser pour établir la connexion à distance n'est pas branché dans une prise de 120 V (nominal) correctement mise à la terre.	<ul style="list-style-type: none"> • Brancher le composant dans une prise de 120 V (nominal) correctement mise à la terre.
L'image vidéo est troublée par des défilements de bandes ou des dédoublements.	Le signal vidéo entrant n'est pas correctement mis à la terre.	<ul style="list-style-type: none"> • Contacter le fournisseur de câble ou satellite pour corriger l'installation.
Le PowerCenter émet une alarme sonore puissante.	Les circuits de protection du PowerCenter se sont sacrifiés pour protéger le matériel branché lors d'une surtension catastrophique.	<ul style="list-style-type: none"> • Le PowerCenter doit être remplacé. Consulter les renseignements relatifs à la garantie pour tout détail important.

SPÉCIFICATIONS TECHNIQUES

POWERCENTER HTS 3600 MKII

Tension nominale en service continue	120 V/60 Hz	
Courant nominal maximal	15 A/1800 W	
Modes de protection	Ligne-Neutre (L-N) Ligne-Terre (L-G) Neutre-Terre (N-G)	
Dissipation d'énergie totale	6500 Joules	
Niveau de blocage (Tension TVSS)	330 Volts	
Temps de réponse du calage	Moins d'une nanoseconde (<1Ns)	
Connexion à distance « DC In » (entrée c.c.)	3 – 30 V c.c	
Connexion à distance « DC Out » (sortie c.c.)	12 V c.c. à 100 mA	
Dimensions	Largeur :	17 po 434,0 mm
	Hauteur avec pieds :	5,275 po 134,0 mm
	Hauteur sans pieds :	5,9 po 150,0 mm
	Profondeur :	14,42 po 366,5 mm



Monster, LLC
7251 West Lake Mead Blvd.
Las Vegas, NV 89128 • USA

Visit us on the web at: MonsterPower.com.

Call us toll-free in North America at 877-800-8989.

The Monster Power Professional Reference
PowerCenter HTS3600 MKII is protected under
U.S. Pat. No. 5,589,718. Other Patents Pending.

Designed in the USA by the Monster Power Dream Team
and manufactured to Monster quality specifications in China.

"Monster" "Monster Cable" "Monster Power"
"Clean Power" "PowerCenter" "PowerLine" "T2"
and "Tri-Mode" are registered and unregistered
trademarks of Monster Cable Products, Inc. and its
subsidiaries in the US and other locations.
© 2004 Monster, LLC.

Monster, LLC

Monster Technology International Limited
Ballymaley Business Park • Gort Road, Ennis, Co. Clare, Ireland
Visitez notre site à l'adresse : MonsterPower.com

Appelez-nous sans frais au : 1-866-348-4171

Le PowerCenter professionnel de référence
Monster Power HTS 3600 MKII est protégé par le brevet
U.S. N° 5,589,718. Autres brevets en instance.

Conçu aux É.-U. par The Monster Dream Team
et fabriqué selon les normes de qualité Monster en Chine.

« Monster », « Monster Cable », « Monster Power »,
« Clean Power », « PowerCenter », « PowerLine », « T2 »
et « Tri-Mode » sont des marques déposées et des marques
de commerce de Monster Cable Products, Inc. et de ses
filiales aux États-Unis et dans d'autres pays.
©2004 Monster, LLC.

rm HTS3600MKII_MAN

Free Manuals Download Website

<http://myh66.com>

<http://usermanuals.us>

<http://www.somanuals.com>

<http://www.4manuals.cc>

<http://www.manual-lib.com>

<http://www.404manual.com>

<http://www.luxmanual.com>

<http://aubethermostatmanual.com>

Golf course search by state

<http://golfingnear.com>

Email search by domain

<http://emailbydomain.com>

Auto manuals search

<http://auto.somanuals.com>

TV manuals search

<http://tv.somanuals.com>