

**OPERATING INSTRUCTIONS FOR MR. COFFEE
ESPRESSO/CAPPUCCINO MAKER MODEL ECM3 (black)
and ECM4 (white)**

Featuring...

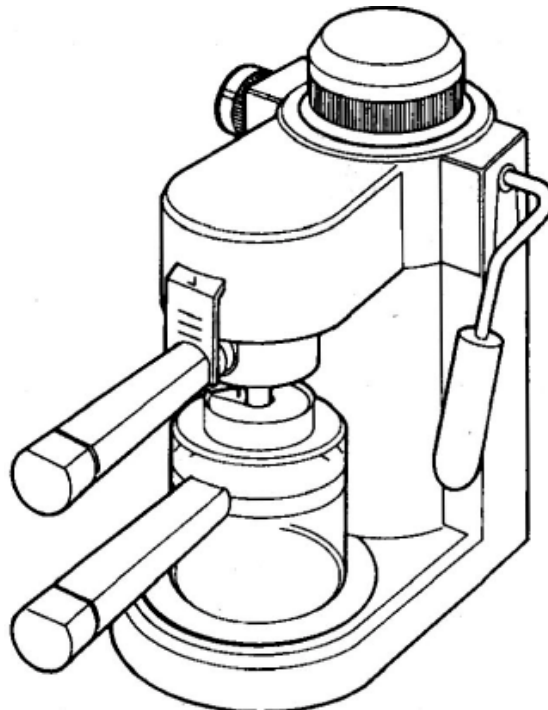
- Steam tube with attachment for frothing
- 3 position selector knob
- Removable drip tray
- 4 cup capacity (1 cup = 2 oz.)

**INSTRUCCIONES DE FUNCIONAMIENTO PARA CAFETERA
MR. COFFEE EXPRESSO/CAPUCHINO MODELO ECM3
Características...**

- Tubo de vapor para espumar
- Batón de control de posición 3
- Bandeja recoge gotas móvil
- Capacidad para 4 tazas (1 taza = 2 oz.)

**MODE D'EMPLOI DE LA CAFETIERE
EXPRESSO/CAPPUCCINO MR. COFFEE MODELE ECM3
Caractéristiques...**

- Tuyau à jet de vapeur pour créer la mousse
- Bouton de contrôle en position 3
- Soucoupe d'égouttement amovible
- Capacité de 4 tasses (1 tasse = 2



FOR HOUSEHOLD USE ONLY

IMPORTANT SAFEGUARDS

When using electrical appliances, basic safety precautions should always be followed to reduce the risk of fire, electric shock, and/or injury to persons, including the following:

1. Read all instructions before using the machine.
2. Do not touch hot surfaces. Use handles or knobs.
3. To protect against electric shock do not immerse cord, plugs, or machine in water or other liquid.
4. This product is not recommended for use by children.
5. Turn control switch OFF and unplug from outlet when not in use and before cleaning. Allow to cool before putting on or taking off parts, and before cleaning.
6. Do not operate any appliance with a damaged cord or plug or after the appliance malfunctions, or has been damaged in any manner. Return this appliance only to the nearest authorized service center for repair.
7. The use of accessory attachments not recommended by MR. COFFEE, Inc. may cause hazards or injuries.
8. Do not use outdoors.
9. Do not let cord hang over edge of table or counter, or touch hot surfaces.
10. Do not place this appliance on or near a hot gas or electric burner or in a heated oven.
11. To disconnect, turn any control to "off", then remove plug from wall outlet.
12. Do not use appliance for other than intended use.
13. Use on a hard, flat level surface only, to avoid interruption of air flow underneath the appliance.
14. Always be sure water tank pressure cap is tightened securely before turning machine on.
15. DO NOT remove pressure cap until pressure is completely relieved. See section "**CAUTION-PRESSURE**".
16. **WARNING:** To reduce the risk of fire or shock do not remove any service covers. No user serviceable parts inside.

17. Decanter Use and Care

Breakage may occur if the following instructions are not followed:

- a. This decanter is designed for use with your Mr. Coffee Espresso Maker and therefore must never be used on a range top, or in any oven including a microwave.
- b. Do not set a hot decanter on a wet or cold surface.
- c. Do not use a cracked decanter or a decanter having a loose or weakened handle.

SAVE THESE INSTRUCTIONS

SPECIAL CORD SET INSTRUCTIONS

1. A short power supply cord is provided to reduce possible hazards resulting from becoming entangled in, or tripping over a longer cord.
2. An extension cord may be purchased and used if care is exercised in its use.
3. If an extension cord is used, the marked electrical rating of the extension cord must be at least 10 amps and 120 volts. The resulting extended cord must be arranged so that it will not drape over the counter top or table top where it can be pulled on by children or tripped over accidentally.

Note:

- * **This appliance has a polarized plug (one blade is wider than the other). As a safety feature, this plug will fit in a polarized outlet only one way. If the plug does not fit fully in the outlet, reverse the plug. If it still does not fit, contact a qualified electrician. Do not attempt to defeat this safety feature.**

If Service Is Required, Do Not Return to Your Store.

All repairs must be made at an authorized Mr. Coffee Service Center.

Please do not return this appliance to your store.

To locate the Mr. Coffee Service Center nearest you, call our Toll-Free Number: 1-800-321-0370

Our office hours are 8:30 a.m. to 5:00 p.m. Eastern Standard Time, Monday through Friday.

Please include the model number (ECM3 or date of purchase, and description of problem in all communications.

If you have any questions or comments, please write:

Consumer Affairs Dept.
MR. COFFEE, inc.
24700 Miles Road
Bedford Hts., OH 44146

Introduction

Congratulations! You are the owner of Mr. Coffee's Espresso/Cappuccino Maker. This unique appliance is designed to provide you with an excellent tasting cup of espresso or cappuccino.

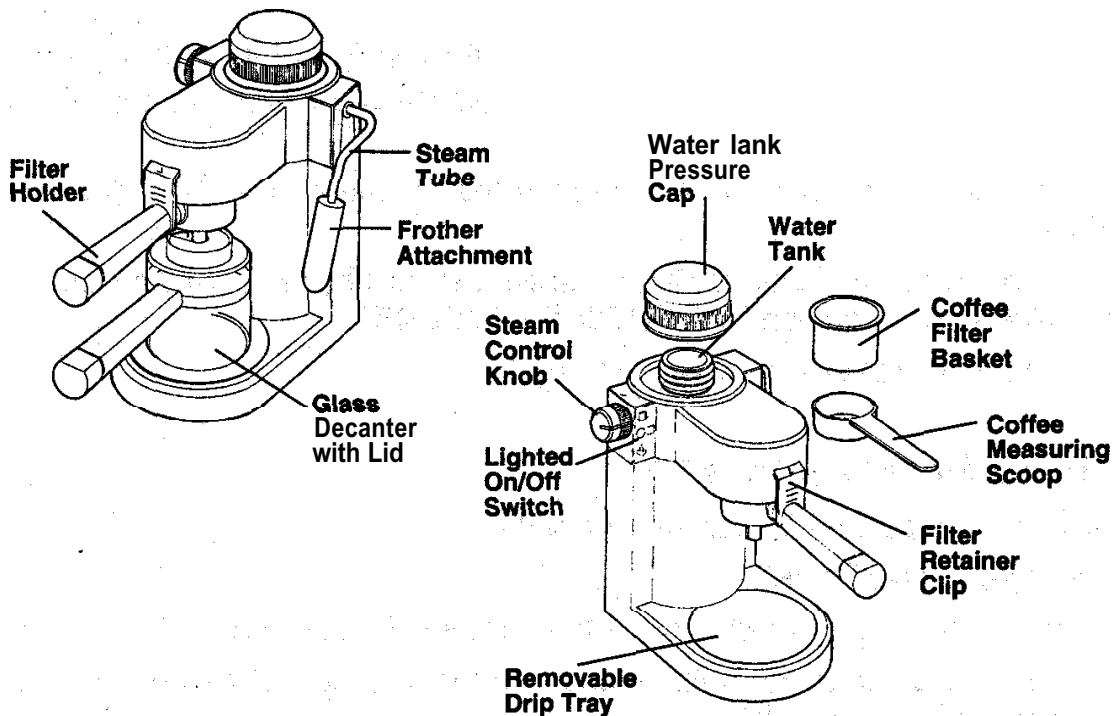
Espresso is a unique method of coffee brewing in which hot water is forced through finely ground coffee. Popular in Europe, it is a far richer and full bodied brew than American regular coffee. Because of its richness, espresso is usually served in 1-1/2 to 2 oz. portions, in demitasse cups.

Most espresso drinkers outside of Europe prefer cappuccino, a drink made of about one third espresso, one third hot milk and one third foam.

Preparing espresso or cappuccino is very different than brewing regular drip coffee in that **this machine operates under pressure and requires special attention**. To insure your safety and the long life of this appliance, please read all instructions, cautions, notes and attentions.

Table of Contents	Page #
Important Safeguards.....	2
If Service Is Required	3
Product Features and Diagram of Parts.	5
How to Prepare Quality Espresso and Cappuccino at Home.	5
Before Using Your Espresso Maker-.	6
How to Brew Espresso	6
How to Make Cappuccino.	8
Caution – Pressure.	9
Cleaning After Each Use.	10
Deliming	11
Recipes	12
Limited Warranty.	12
Spanish Instructions	13
French Instructions.	24

Product Features and Diagram of Parts



How to Prepare Quality Espresso and Cappuccino At Home

The Coffee

The coffee should be a freshly ground, dark roasted variety. Pre-ground coffee will only retain its flavor for 7-8 days, providing it is stored in an air tight container, in a cool, dark area. Do not store in refrigerator or freezer.

Whole beans are recommended, to be ground just before use. Coffee beans stored in an air tight container will keep up to 4 weeks before they begin to lose their flavor.

The Grind

This is a vital step in the espresso making process and takes practice. The coffee must be ground fine, but not too fine.

- The correct grind should look gritty, like salt or sand.
- If the grind is too fine, the water will not flow through the coffee even under pressure. This grind looks like powder and feels like flour when rubbed between fingers.
- If the grind is too coarse, the water flows through the coffee too fast, preventing a full flavored extraction.

Be sure to use a quality grinder or mill for uniform consistency in your espresso grind. Oval shaped coffee mills are not recommended because the grind is not consistent. We recommend using Mr. Coffee's coffeemill. The round stainless steel grinding chamber insures a more even grind.

Before Using Your Mr. Coffee Espresso Maker

Please refer to page 5 for diagram of parts.

1. Wash all removable parts in mild detergent and rinse thoroughly.
2. To rinse the inside of the machine, follow steps for brewing espresso using water only.
3. Turn the power switch off and unplug the machine from the electrical outlet.
4. **Do not remove water tank pressure cap until pressure has been relieved. See section "CAUTION-PRESSURE".**

Your espresso maker is now ready to use.

How To Brew Espresso

Please refer to page 5 for diagram of parts.

Filling the Water Tank...

1. Turn the selector control knob to the center OFF position.
2. Fill the glass decanter with enough water for cups of espresso plus steam for frothing as follows:
 - For 2 cups, fill water up to midpoint between the 2 and 4 cup markings.
 - For 4 cups, fill water up to the bottom of metal band.
3. Remove the water tank pressure cap and pour the water into the water tank. Do not fill to the top of the tank or there will not be enough area to generate steam.

CAUTION: Do not pour water into the tank while the machine is on. Check to make sure power switch is off. Do not pour more than 10 ounces of water into the tank.

4. Screw the pressure cap back on top of the water tank. Make sure it is on tight.

Preparing the Coffee...

1. Place the filter basket in the filter holder. See figure 1.
2. Fill with fresh fine ground espresso coffee to the top of the filter basket. Fine ground coffee feels gritty, like salt. Clean any excess coffee from the rim of the filter holder. This will assure proper fit under the brew head.

ATTENTION:

- a. Do not pack coffee.
- b. Do not overfill the filter basket. This might cause clogging or overflow.

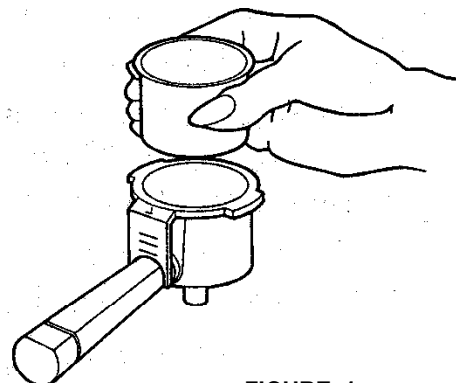
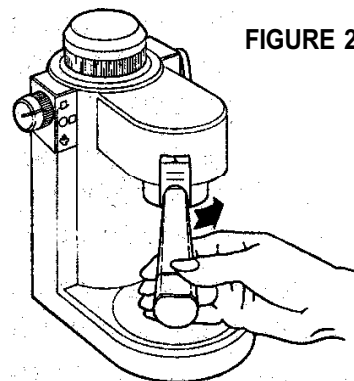


FIGURE 1

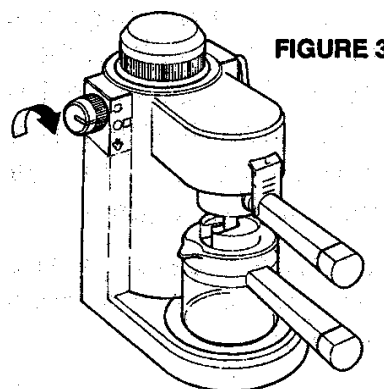
3. Make sure the filter retainer clip is in the release position, by pulling the clip back toward your hand. Place the filter holder underneath the brew head so that the handle is positioned to the left of center. Lift the filter holder up and insert into the brew head. Turn the handle completely to the right until it stops just to the right of center. The holder is now secured in the machine. See figure 2.



Brewing Espresso...

ATTENTION: PLEASE REFER TO THE NEXT SECTION TO MAKE **CAPPUCCINO**.

1. Make sure the drip tray is in place.
2. Place the cover on the glass decanter and set in place on drip tray.
3. Make sure the steam control knob is in the center off position.
4. Plug the power cord into an electrical outlet and rotate the selector knob upward to the coffee symbol. The switch will illuminate to let you know the machine is on. See figure 3.



5. Espresso will begin to flow into the decanter in about four minutes.
6. When the espresso has stopped flowing into the decanter, turn the power switch off back at the center. Unplug the power cord and allow the machine to cool. **Do not remove pressure cap until the pressure in the machine has been released. See section "CAUTION-PRESSURE".**
7. After the machine has cooled down and all pressure has been relieved, remove the filter holder from the brew head. Using the filter retainer clip to secure the filter basket in the filter holder, turn the filter holder upside down to empty. Rinse the filter basket and holder with water.

CAUTION: The metal parts of the filter holder might still be very hot. Make sure to use the filter retainer clip when discarding the grounds. Cool down these parts by running under cold water.

8. See instructions for cleaning on page 10.

How to Make Cappuccino

Frothing milk for cappuccino takes practice. Do not be discouraged if it is not perfect the first time. It may take a few times before you perfect this process. You will have a limited amount of time to complete the milk frothing process, therefore you will need to be prepared before you begin brewing espresso.

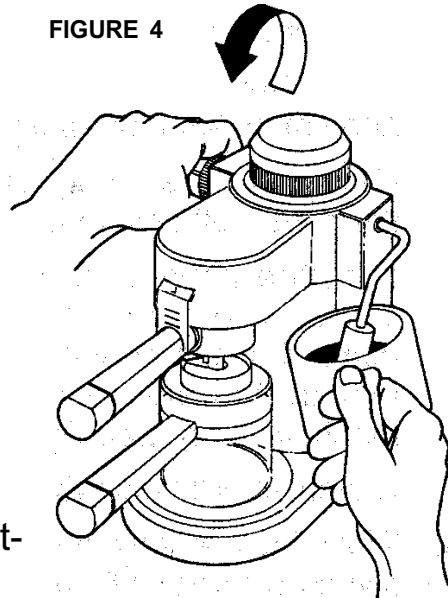
For best results, we recommend frothing the milk in a separate pitcher and pouring the milk into your coffee. However, you can also froth your milk in a cappuccino cup and then pour your coffee into the cup.

1. Fill a small stainless steel or ceramic pitcher 1/3 full with cold milk or half and half and set next to machine. For best results, use skim milk.
2. Follow steps 1-5 on “**Brewing Espresso.**”
3. When espresso begins to flow and reaches the froth mark on the decanter and froth mark ☞ position the pitcher of milk underneath the steam nozzle so that the tip of the nozzle is just below the surface of the milk. See figure 4.

Caution: Nozzle must be below the surface of the milk to prevent splashing of hot liquid.

Note: Because warm milk does not froth, the milk should be frothed from just below the surface first and then heated by inserting the nozzle further into the milk.

FIGURE 4



4. Rotate the selector control knob downward slowly and gently move the pitcher in a circular motion around the steam nozzle so that the steam circulates just below the surface of the milk.

When the milk has doubled in volume, insert the steam nozzle down into the milk to further heat the milk. To avoid splattering of hot milk, do not lift the steam nozzle above the surface of the milk until the steam control knob is closed. Close the steam control knob by turning it back to center matched up with indented line.

5. When the espresso has stopped flowing into the decanter, turn the power switch off at center of knob. Pour the espresso into serving cups. Then pour the hot milk into your coffee and scoop the foam on top. Cappuccino can be topped off with ground chocolate, cinnamon, or sugar.
6. Unplug the power cord and allow the machine to cool. **Do not remove pressure cap until the pressure in the machine has been released. See section “CAUTION-PRESSURE”.**
7. Continue to follow steps 7-8 on “**Brewing Espresso.**”

Problems and Causes

Problem

Coffee does not come out

Coffee comes out too quickly

Coffee comes out around the edge of the filter holder

No steam is generated

Coffee is splattering out of spout

Milk is not foamy after brew frothing

Less than full amount of espresso brewed

Causes

No water in the tank.
Coffee grind is too fine.
Too much coffee in the filter.
Pressure cap is not secure, steam is escaping.
Machine was not turned on.

Coffee grind is too coarse.
Not enough coffee in filter basket.

Filter holder is not inserted in the brew head properly.
There are coffee grounds around the filter basket rim.
There is too much coffee in the filter basket.

The water tank is empty.
There is too much water in the tank, no room for steam.
Machine was not turned on.

The water tank is empty or low, not enough pressure.

Did not begin frothing early enough in cycle.
Ran out of steam.

Used too much steam for frothing.
Ran out of water.

CAUTION - PRESSURE

in order to avoid possible burns to bodily parts and/or other injury from hot steam, etc. **NEVER** open the pressure cap while your Mr. Coffee Espresso Maker is turned on or as long as there is pressure in the water tank.

in order to check if the machine is under pressure, proceed as follows:

1. Turn the selector control knob to center line or off and unplug the machine.
2. Open the steam nozzle by slowly turning the knob downward. if steam comes out of the nozzle, then the water tank is still-under pressure. Close the steam control knob.
3. To release the pressure, hold a pitcher with some water under the steam nozzle and immerse the nozzle in the water. Slowly open the steam control knob and release the steam.
4. When steam nozzle stops releasing steam, the pressure cap can be removed.
5. Close the steam control knob by turning it back to the indented center line.

Cleaning Your Espresso-Cappuccino Maker

1. Unplug the appliance power cord.
2. Wipe the steam nozzle with a warm wet cloth. The steam nozzle may still be hot, do not touch it with your hands.
3. The decanter, decanter lid, filter holder, filter basket, and drip tray can be washed with soapy water or placed in the dishwasher (on upper level away from the heating/drying element).

CAUTION: Do not immerse machine in water. Do not remove pressure cap while machine is under pressure. See section “**CAUTION-PRESSURE**”.

4. After the pressure has been released, remove pressure cap. Discard the remaining water through the top opening of the water tank. Screw the pressure cap back in place.
5. Always empty the water tank of any water in between uses.
6. Wipe housing with a soft wet cloth. Do not use abrasive cleaners or scouring pads as they will scratch the finish.
7. Do not store the filter holder in the brew head. This can adversely affect the seat between the brew head and the filter holder while brewing espresso.

Deliming

Mineral deposit build-up in the espresso maker will affect the operation of the machine. Your espresso maker must be delimed when you begin to notice an increase in the time to brew espresso, or when there is additional steaming. Also, you will notice a build up of white deposits on the surface of the brew head.

The frequency of cleaning depends upon the hardness of the water used. The following table gives the suggested cleaning intervals.

SUGGESTED CLEANING SCHEDULE

Type of Water	Cleaning Frequency
Soft water	every 80 brew cycles
Hard water	every 40 brew cycles

Your espresso maker may be delimed using one quart of white household vinegar.

Clean the water tank first, following steps 1-5:

1. Make sure the steam control knob is in the center off position and that the plug is disconnected from the electrical outlet.
2. If the machine is cool and the pressure has been released (see section “**CAUTION-PRESSURE**”), remove the pressure cap and pour 10 ounces of undiluted white household vinegar into the water tank.
3. Screw on the pressure cap and allow machine to sit overnight with the vinegar solution in the water tank.

4. Remove pressure cap and discard vinegar through the top opening of the espresso maker.
5. Rinse the water tank thoroughly with tap water, repeating this step twice.

To wash internal parts:

1. Make sure you clean the inside of the water tank first.
2. Make sure all controls are off, the plug is disconnected from the electrical outlet, the machine is cool and all pressure in the machine has been released (see section “**CAUTION-PRESSURE**”). Remove the pressure cap and pour 10 ounces of fresh white household vinegar into the water tank.
3. Screw the pressure cap back on top of the water tank. Make sure the cap is on tight.
4. Insert the filter holder into the brew head and place the glass decanter with lid on the drip tray.
5. Plug the machine into the electrical outlet and turn the power switch on. An indicator light on the power switch will tell you the machine is on.
6. Place a cup with cold water under the steam nozzle. When vinegar begins to flow into the decanter, insert the nozzle into the water and open the steam nozzle slowly by turning the steam control knob downward. After a few seconds close the steam nozzle by turning the knob back up to center. This will clean any residue left in the nozzle from frothing milk.
7. When all the vinegar has been pumped into the decanter and the flow has stopped, turn the power switch to the center off position and allow the machine to cool.
8. Repeat steps 1-7 using only tap water to rinse any remaining traces of vinegar out of the machine. Repeat this process twice, allowing the machine to cool and pressure to be released before repeating.

Decanter cleaning

Hard water can leave a whitish mineral deposit inside the decanter. Coffee discolors these deposits, sometimes leaving a brownish stain inside the decanter. To remove these stains, follow these simple steps:

1. Pour warm white vinegar in the decanter and let soak for 20 minutes.
2. Discard the vinegar, Wash and rinse the decanter thoroughly using a soft cloth. Do not use harsh abrasive cleaners. They will cause scratches which can lead to breakage.

RECIPE IDEAS THAT YOU WILL LOVE TO TRY!

San Francisco Cappuccino

espresso, hot steamed chocolate, brandy, topped with whipped cream and cinnamon

Cafe Irish

espresso, Irish whiskey, topped with whipped cream

Cafe Tuaca

espresso, tuaca liqueur, Topped with whipped cream

Cafe Vienna

espresso, brandy, topped with whipped cream

Cafe Tia Maria

espresso, Tia Maria liqueur, topped with frothed milk

Cafe Grand Marnier

espresso, Grand Marnier liqueur, topped with whipped cream and grated orange peel

Mexican Cafe

espresso, Kahlua, tequila, topped with whipped cream

Cafe Romano

espresso, brandy and lemon twist

Limited Warranty

Mr. Coffee, inc. warrants to the purchaser that Mr. Coffee's Espresso/Cappuccino Maker, Model ECM3, ECM4 (except for cord set and glass parts) is free from manufacturer's defects in material or workmanship for a period of one year from the date of original purchase when used in compliance with directions as outlined in the manufacturer's instructions, which will constitute reasonable and necessary maintenance by the purchaser.

In case of manufacturer defects in material or workmanship, Mr. Coffee, inc. agrees to repair or replace (remedy) a defective espresso maker without charge. The purchaser's exclusive remedy against Mr. Coffee, inc. shall be for the repair or replacement of a defective Mr. Coffee Product.

All repairs must be made at an *authorized* Mr. Coffee Service Center. To locate a Mr. Coffee Service Center, call 1-800-321-0370. As the purchaser, you assume all cost incurred in transporting your Mr. Coffee machine to and from the authorized Mr. Coffee Service Center. *Mr. Coffee, inc. shall not be responsible for any repairs performed at any facility which is not an authorized Mr. Coffee Service Center.*

This warranty give you specific legal rights, and you may also have other rights which vary from state to state. Any implied warranty is limited in duration to .the one year provided in this, the only, expressed warranty. Some states do not allow limitations on how long an implied warranty lasts, so the above limitation may not apply to you.

In no event shall Mr. Coffee, Inc. be responsible for incidental or consequential damages; nor damage due .to misuse or the use of any unauthorized attachment; nor assumption of responsibility for damage caused by use of an electrical circuit not specified on the Mr. Coffee, inc. product. Some states do not allow the exclusion or limitation of incidental or consequential damages, so the above limitation or exclusion may not apply to you.

**Mr. Coffee, Inc.
24700 Miles Road, Bedford Heights, Ohio 44146-1399**

PROTECCIONES IMPORTANTES

Cuando se utilicen aparatos eléctricos, siempre deben seguirse las precauciones fundamentales de seguridad para reducir el riesgo de incendio, golpe eléctrico **y/o** daño a personas, incluyendo lo siguiente:

1. **Léanse todas las instrucciones antes de utilizar la máquina.**
2. No toque las superficies calientes. Use los asideros o botones.
3. Para protegerse contra golpe eléctrico, no sumerja en agua el cable, las espigas, ni la máquina **u** otro líquido.
4. Este producto no está recomendado para que los niños lo usen.
5. Ponga el interruptor de control en posición de desconectado (OFF) y desenchufe la máquina de la toma, cuando no esté en uso y antes de limpiarla. Deje que éste ha funcionado mal, o ha sido dañado de servicio autorizado más cercano, para su reparación.
7. El uso de accesorios o aditamentos no recomendados por MR. COFFEE, inc., puede causar peligros o daños.
8. No se use al aire libre.
9. No deje el cable colgando sobre del borde de la mesa o del mostrador, ni tocando superficies calientes
10. No ponga este aparato sobre o cerca de un quemador caliente de gas o eléctrico, ni sobre un horno caliente.
11. Para desconectarlo, vuelva el control a la **posición "off"**, luego quite la espiga de la toma en la pared.
12. No utilice el aparato para otros usos más que para el que le corresponde.
13. **Usese** solamente sobre una superficie dura, a nivel plano, para evitar la interrupción de la corriente de aire debajo del aparato.
14. Cerciórese siempre que la tapa de presión del depósito de agua esté bien cerrada antes de hacer funcionar la máquina.
15. NO QUITE la tapa de presión hasta que la presión sea completamente aligerada. Vea la sección **"PRECAUCION-PRESION"**.
18. **ADVERTENCIA:** Para reducir el riesgo de incendio o de golpe eléctrico, no quite ninguna de las cubiertas para servicio. No hay **piezas** adentro a las que el dueño del aparato pueda darles servicio.
17. **Uso y Cuidado de la Garrafa**
Si las siguientes instrucciones no se siguen, puede ocurrir rotura:
 - a. Esta garrafa está diseñada para usarse con su máquina de hacer café, Mr. Coffee Espresso por consiguiente nunca debe ser utilizada sobre la **hornilla** de una estufa, ni en cualquier horno, **incluyendo** el microondas.
 - b. No coloque una garrafa caliente sobre una superficie húmeda o **fria**.
 - c. No utilice una garrafa rajada, ni una garrafa con el asidero flojo o debilitado.

CONSERVE ESTAS INSTRUCCIONES

INSTRUCCIONES PARA EL CABLE ESPECIAL

1. Un cable corto, de electricidad, es proporcionado para reducir los peligros posibles que resultan de enredarse o **tropezar con** un cable más largo.
2. Puede comprarse un cable de extensión y **utilizario** si se tiene cuidado cuando se usa.
3. Si se utiliza un cable de extensión, la clasificación eléctrica marcada en el cable de extensión debe ser de 10 amperios 7 120 Voltios. En consecuencia, el cable extendido debe estar arreglado para que no cuelgue sobre la parte superior del mostrador o del tablero de la mesa, donde éste puede ser halado por los niños, o tropezar con él accidentalmente.

* **Esta unidad tiene un tomacorriente polarizado (unda clavija es más ancha que la otra). Como una característica para la seguridad, este tomacorriente conectará al enchufe polarizado en una sola forma. Si el tomacorriente no entra completamente en el enchufe, dé vuelta al tomacorriente. Si aún así no entra totalmente en el enchufe, consulte con un electricista calificado. No trate de modificar esta característica que ha sido incorporada para su seguridad.**

Si se requiere reparación, no devuelva este artículo a la tienda en la cual lo adquirió.

Todas las reparaciones deben hacerse en un centro de reparaciones autorizado Mr. Coffee.

Por favor no devuelva esta electrodoméstico a la tienda en la cual lo adquirió.

Para encontrar el centro de reparaciones Mr. Coffee más próximo, llame a nuestra línea gratuita: 1-800-321 -0370.

Nuestro horario de atención al público es de **8:30 A.M.** a **5:00 P.M.**, hora de la costa Este, de lunes a viernes.

Por favor indique en toda comunicación el número del modelo **ECM3** a **ECM4**, la fecha de compra y la descripción del problema.

Si asea hacer cualquier comentario u observación, por favor escriba a:

Consumer Affairs Dept.
MR. COFFEE, inc.
24700 Miles Road
Bedford Hts, OH 44146

Introducción

¡Felicitaciones! Usted es dueño de una máquina de hacer café Mr. Coffee Espresso/Cappuccino (Expreso/Capuchino). Este aparato único está diseñado para proporcionarle una excelente 7 sabrosa taza de “espresso” o “cappuccino”.

Espresso es un método único de preparar café, en la cual el agua caliente es torzada a través de café molido finamente. Popular en Europa, es mucho más rico y una preparación más aromática que el café americano común. Debido a su riqueza, espresso es servido usualmente en porciones de 1-1/2 a 2 onzas, en tacita de café.

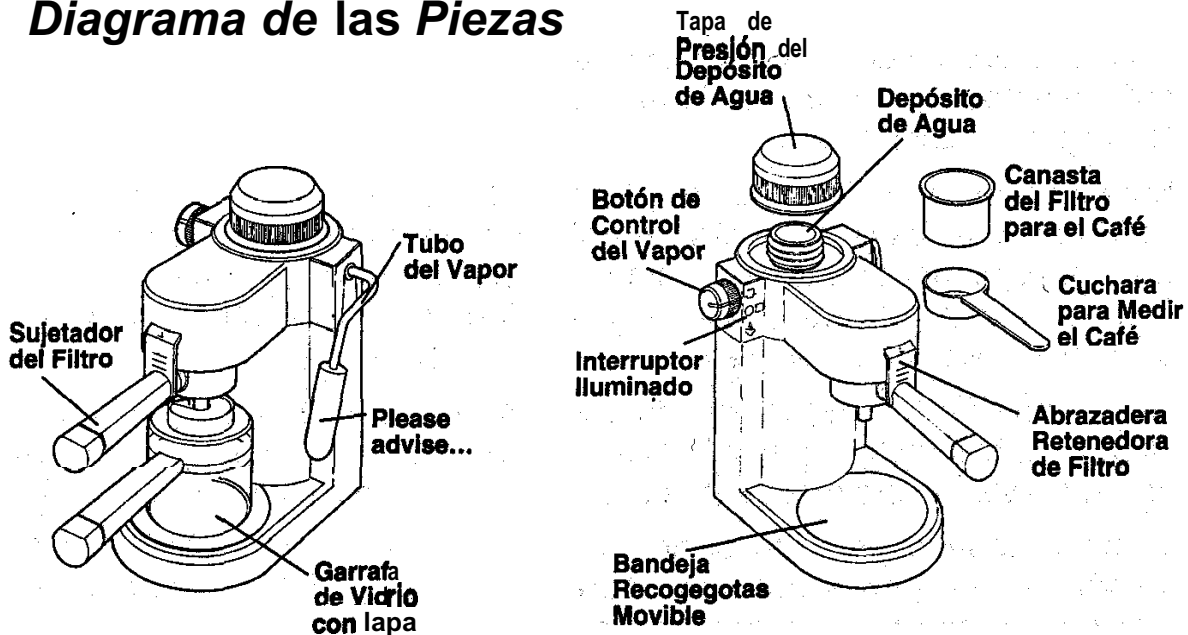
La mayoría de los bebedores de espresso fuera de Europa, prefieren capuchino (cappuccino), una bebida hecha de más o menos de un tercio de espresso, un tercio de leche caliente y un tercio de espuma.

Preparar espresso o cappuccino es tan distinto a preparar café colado común, en que **esta máquina funciona bajo presión y requiere atención especial**. Para asegurar su inmunidad y la vida larga de este aparato, por favor lea todas las instrucciones, las precauciones, las notas y las atenciones.

Índice de Materias

	Página #
Protecciones Importantes. 13
Si se Necesita de Servicio 14
Características del Producto y Diagrama de las Plezas	16
Cómo Preparar en Casa Espresso 7 Cappuccino de Calidad	16
Antes de Usar su Máquina de Hacer Espresso 17
Cómo Preparar Espresso 17
Cómo Hacer Cappuccino 19
Precaucion – Presion	20
Limpieza Después de Cada Uso 21
Desmineralizar 21
Recetas 23
Garantía Limitada. 23

Características del Producto y Diagrama de las Piezas



Cómo Preparar en Casa Espresso y Cappuccino de Calidad

El Café

El café deberá ser una variedad de molido fresco, tostado oscuro. El café premolido solamente retendrá su sabor de 7 a 8 días, siempre que esté almacenado en un recipiente hermético, en un área fresca y oscura. No lo guarde ni en el refrigerador ni en el congelador.

Se recomienda que los granos enteros sean molidos antes de usarse. Los granos de café almacenados en un recipiente hermético se conservarán hasta 4 semanas, antes que éstos comiencen a perder su sabor.

El Molido

Este es un paso vital en el proceso de hacer espresso y requiere de práctica. Los granos de café deben molerse fino, pero no demasiado fino.

- El molido correcto deberá verse arenoso, como la sal o la arena.
- Si se muele demasiado fino, el agua no fluirá a través del café ni aún bajo presión. Este molido se ve como polvo y se siente como harina cuando se frota entre los dedos.
- Si el molido es demasiado grueso, el agua fluye demasiado rápido a través del café, impidiendo una extracción llena de sabor.

Asegúrese de usar un molidor de café de calidad o un molino, para la consistencia uniforme en su molido espresso. Los molinillos de café, con forma ovalada, no son recomendados **porque** su molido no es uniforme. Recomendamos que se use el **molino** de café, Mr. Coffee. La cámara de molido de acero inoxidable asegura un molido más parejo.

Antes de Usar su Máquina de Hacer Café, Mr. Coffee Espresso

Por favor vea la página 16 para el diagrama de las piezas.

1. **Lave** todas las piezas movibles, en detergente suave y enjuáguelas a conciencia.
2. Para enjuagar el interior de la máquina, siga los pasos para preparar espresso, utilizando agua solamente.
3. Ponga el interruptor en posición "off" y quite la espiga de la máquina, de la toma de corriente.
4. **No quite la tapa del depósito de agua hasta que la presión haya sido disminuida. Vea la sección "PRECAUCION-PRESION".**

Ahora, su máquina para hacer espresso está lista para usarse.

Cómo Hacer Espresso

Por favor vea la página 16 para el diagrama de las piezas.

Cómo Llenar el Depósito de Agua...

1. Coloque el botón selector en la posición de "OFF".
2. llene el recipiente de vidrio con agua. suficiente para las tazas de "espresso" y el vapor para hacer espuma **así:**
 - Para dos tazas, llene de agua hasta la mitad de las marcas que indican 2 y 4 tazas.
 - Para 4 tazas, llene de agua hasta la parte inferior de la banda metálica.
3. Quite la tapa de presión del depósito y vierta el agua dentro del depósito de agua. No llene el depósito hasta arriba o no habrá suficiente lugar para generar vapor.

PRECAUCION: No vierta agua dentro del depósito mientras la máquina esté conectada. Verifique para asegurarse que el interruptor está en "off". No vierta más de 10 onzas de agua dentro del depósito.

4. Vuelva a enroscar la tapa de presión en la parte superior del depósito de agua. Cerciórese que esté apretada.

Cómo Preparar el Café...

1. Coloque la canasta del filtro en el sujetafiltros. Vea la ilustración 1.
2. Llene con café espresso fresco, molido fino, hasta arriba de la canasta del filtro. El café molido fino se siente arenoso como la sal. Limpie cualquier exceso de café de la orilla del sujetafiltro. Esto asegurará el ajuste adecuado debajo de la cabeza preparadora de café.

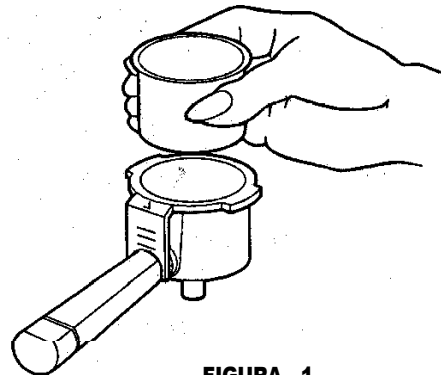


FIGURA 1

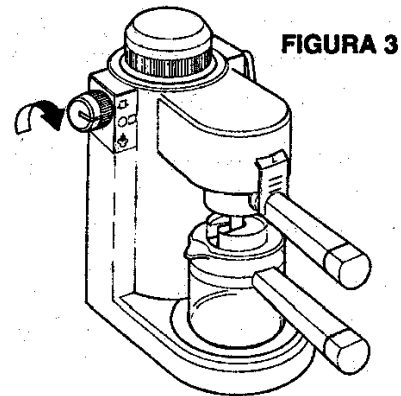
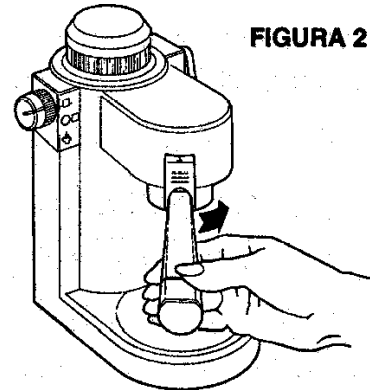
ATENCIÓN:

- a. No apriete el café.
 - b. **No sobrellene** la canasta del filtro. Esto puede causar atoramiento o **derrame**.
3. Cerciórese de que la pinza de sujeción del filtro se encuentra suelta, tirando, tirando de ella hacia atrás en dirección a su mano. Coloque el sujetafiltro debajo de la cabeza preparadora a fin de que el asidero esté colocado a la izquierda del centro. Levante el sujetafiltro e insértelo dentro de la cabeza preparadora. Dé vuelta por completo al asidero hacia la derecha, hasta que se detenga a la derecha del **centro**. Ahora el sujetador está asegurada en la máquina.
Vea la ilustración 2.

Cómo Preparar Espresso...

ATENCIÓN: POR FAVOR VEA LA SECCION SIGUIENTE PARA PREPARAR **CAPPUCINO**.

1. Cerciórese que la bandeja recoge gotas esté en su lugar.
 2. Coloque la cubierta sobre la garrafa de vidrio y póngala en su lugar sobre la bandeja recoge gotas.
 3. Asegúrese de que el botón de control de vapor esté en la posición **"off"**.
 4. Enchufe el cable en la toma eléctrica y dé vuelta al botón selector hacia arriba, en dirección al símbolo del café. El interruptor se iluminará, para **indicarle** a usted que la máquina está conectada.,
Vea la ilustración 3.
 5. El espresso comenzará a fluir dentro de la garrafa más 0 menos **encuatro** minutos.
 6. Cuando el espresso haya dejado de fluir dentro del recipiente, coloque nuevamente el interruptor en la posición **"off"** en el centro. Desenchufe la espiga del cordón de energía eléctrica y deje que la máquina se enfríe. No **quite la tapa de presión hasta que la presión de la máquina haya sido aligerada. Vea la sección "PRECAUCION-PRESION"**.
 7. Después que la máquina se ha enfriado y toda la presión ha sido aligerada, saque el sujetafiltro de la cabeza preparadora. Utilizando la abrazadera retenedora de **filtro** para asegurar la canasta del filtro en el sujetafiltro, vuelva hacia abajo el sujetafiltro para **vaciarlo**. Enjuague con agua la canasta del filtro y el sujetador.
- PRECAUCION:** Las partes metálicas del sujetafiltro aún podrían estar muy calientes. Asegúrese de utilizar la abrazadera retenedora de filtro cuando deseche los granos. Enfríe estas partes derramando agua fría sobre ellas.
8. Véanse las instrucciones de limpieza en la página 21.



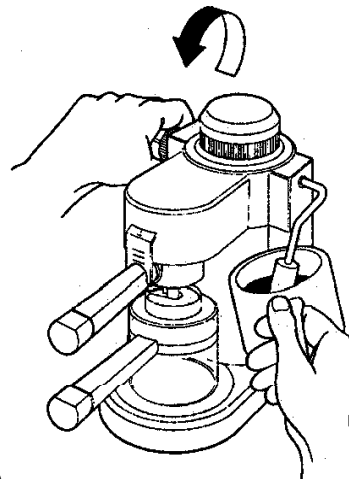
Cómo Hacer Cappuccino (Capuchino)

Espumar leche para cappuccino requiere de práctica. No se desanime si la primera vez no resulta perfecta. Tal vez le tome unas cuantas veces antes de perfeccionar este proceso. Tendrá una cantidad de tiempo limitado para completar el proceso de espumado de leche, por lo tanto necesitará estar preparado(a), antes de iniciar la preparación de espresso.

Para mejores resultados, le recomendamos que la leche se espume en un recipiente separado y que se vierta dentro de su café. Sin embargo, usted también puede espumar la leche en una taza **para cappuccino** y luego verter su café dentro de la taza.

1. Llene un jarro pequeño de acero inoxidable o cerámica, **1/3** lleno, de leche fría o mitad y mitad y póngalo junto a la máquina. Para mejores resultados, use leche descremada.
2. Siga los pasos de 1 a 5 de “**Cómo Preparar Espresso.**”
3. Cuando el “espresso” comience a fluir y llegue a la marca de la parte delantera del recipiente ☞ coloque el recipiente de leche debajo de la boquilla de vapor de manera que el extremo de la boquilla se encuentre exactamente debajo de la superficie de la leche. Remítase a la figura 4.

FIGURA 4



PRECAUCION: la boquilla debe encontrarse debajo de la **superficie** de la leche para evitar las salpicaduras de líquido caliente.

Nota: Ya que la leche caliente no espuma, la misma debe hacerse espumar primero desde un poco abajo de la superficie y luego calentada al insertar más la boquilla dentro de la leche.

4. Gire el botón selector hacia abajo. Con suavidad mueva el jarro con movimiento circular alrededor de la boquilla de vapor para que éste **curcule** un poco abajo de la superficie de la leche.

Cuando la leche haya duplicado su volumen, introduzca la boquilla de vapor dentro de la leche para **calentaria** más. A fin de evitar la salpicadura de leche caliente, **no** levante la boquilla de vapor arriba de la superficie de la leche, hasta que el botón de control del vapor esté cerrado.- Cierre el botón de control del vapor dándole vuelta hacia el centro hasta alinearlos con la línea de la muesca.

5. Cuando el espresso haya dejado de fluir al jarro, **apaque** el interruptor en el centro del botón. Vierta el espresso en las tazas; luego, vierta la leche caliente sobre el café y use una cuchara para la espuma. Sobre la espuma del **cappuccino** puede ponerse chocolate o **conela** en polvo o azúcar.
6. Desenchufe el cable eléctrico y deje enfriar la máquina. No quite la tapa de presión hasta que la presión en la máquina haya sido aligerada. Véase la sección “**PRECAUCION-PRESION.**”
7. Continúe con los pasos **7 y 8** de “**Como Preparar Espresso.**”

Problemas y Causas

Problema

El café no **sale**

El café sale demasiado rápido

El café se derrama **alredor** del borde del sujetafiltro

No hay producción de vapor

El café está salpicando por la espita

La leche no está espumosa después de espumar

Prepara menos de la

Causas

El depósito no **tiene agua**.
El café molido es **demasiado fino**.
Hay demasiado café en el filtro.
La tapa de presión no está asegurada, hay escape de vapor.
La máquina no fue conectada.

El café molido es demasiado grueso.
No hay suficiente café en la canasta del filtro.

El sujetafiltro no está adecuadamente insertado en la cabeza preparadora.
Hay granos de café alrededor de la orilla de la canasta del filtro.
Hay demasiado cafee en la canasta del filtro.

El depósito de agua está vacío.
Hay demasiada agua en el depósito, no hay espacio para el vapor.
La máquina no fue conectada.

El depósito de agua está vacío o bajo, no hay suficiente presión.

No se **comenzó** a espumar con suficiente anticipación, en el **ciclo** de preparación.

El vapor se terminó.

Se utilizó demasiado vapor para espumar.
El agua se terminó.

PRECAUCION – PRESION

Para evitar posibles quemaduras en las partes del cuerpo **y/u** otros daños por el vapor caliente, etc., **NUNCA** abra la tapa de presión mientras su máquina de hacer café **~r. Coffee Espresso** esté en posición **“on”**, o en tanto haya presión en el depósito de agua.

Para verificar **si** la máquina está bajo presión, procédase como sigue:

1. Coloque el botón selector en el centro o en **“OFF”** y desconecte la máquina.
2. Abra la boquilla del vapor dando vuelta lentamente al botón hacia abajo. Si el vapor sale por la boquilla, entonces el depósito de agua aún **estea** bajo presión. Cierre el botón de control del vapor.
3. Para aligerar la presión, sostenga un jarro con un poco de agua debajo de la boquilla de vapor y sumerja la boquilla en el agua. Lentamente abra el botón de control del vapor y deje que el vapor salga.
4. Cuando la boquilla deja de sacar vapor, la tapa de presión puede ser quitada.
5. Cierre la boquilla del vapor devolviéndola a la muesca de la línea central.

Cómo Limpiar su Máquina de Hacer Café, Espresso/Cappuccino

1. Desconecte el cable eléctrico del aparato.
2. Limpie la boquilla de vapor con un trozo de tela con agua caliente. La boquilla de vapor todavía puede estar caliente, de modo que no la toque con las manos.
3. La garrafa, tapa de la garrafa, sujetafiltro, canasta del filtro y la bandeja recogegotas, pueden lavarse con agua jabonosa o colocarse en la lavadora de platos (en el nivel superior, alejados del elemento de calentamiento y secado).

PRECAUCION: No sumerja la máquina en agua. No quite la tapa de presión mientras la máquina esté bajo presión. Vea la sección **“PRECAUCION-PRESION”**.

4. Cuando la presión se haya agotado, quite la tapa de presión. Desecha el agua restante a través de la abertura superior del depósito de agua. Atornille de nuevo en su lugar la tapa de presión.
5. Siempre vacíe el depósito de cualquier agua, entre los usos de la máquina.
6. Limpie la caja con un trozo de tela húmeda. No use limpiadores abrasivos ni almohadillas para estregar, ya que éstas podrían rayar el acabado.
7. No almacene el sujetafiltro en la cabeza preparadora. Esto, desfavorablemente, puede afectar el sello hermético entre la cabeza preparadora y el sujetafiltro, mientras se prepara espresso.

Desmineralizar

Sedimentos minerales formados en la máquina de hacer café espresso, afectarán el funcionamiento de la máquina. Su máquina de hacer café espresso debe ser desmineralizada cuando usted comience a notar un aumento en el tiempo de preparar espresso, o cuando hay más vapor. También notará la formación de sedimentos blancos en la superficie de la cabeza preparadora.

La frecuencia de la limpieza depende de la dureza del agua que se utiliza. La tabla siguiente le da los intervalos sugeridos de limpieza.

PLAN DE LIMPIEZA SUGERIDO	
Clase de Agua	Frecuencia de Limpieza
Agua Dulgada	cada 80 ciclos de preparación
Agua Cruda	cada 40 ciclos de preparación

Su máquina de hacer café espresso puede ser desmineralizada utilizando un cuarto de vinagre blanco casero.

Limpie primero el depósito de agua, siguiendo los pasos 1 a 5:

1. Cerciórese que el botón de control de vapor y el interruptor de energía estén en la posición **“off”** y que la espiga esté
2. Si la máquina está fría y la presión ha sido aligerada (vea la sección **“PRECAUCION-PRESION”**), quite la tapa de presión y vierta 10 onzas de vinagre blanco casero sin diluir, dentro del depósito de agua.

3. Atornille la **tapa de** presión y deje que' la máquina permanezca durante la noche, con la solución de vinagre en el depósito de agua.
4. Quite la tapa de presión y deseche el vinagre a **través** de la abertura superior de la máquina de hacer espresso.
5. Enjuague minuciosamente el depósito de agua con agua de la llave, repitiendo este paso dos veces.

Cómo Lavar las Piezas Internas:

1. Asegúrese de limpiar primero el interior del depósito de agua.
2. Cerciórese que todos los controles estén en "off", la espiga desconectada de la toma de energía, la máquina esté fría y que toda la presión en la máquina ha sido aligerada (vea la sección **"PRECAUCION-PRESION"**). Quite la tapa de **presión** y vierta 10 onzas de vinagre blanco fresco casero, dentro del depósito de agua.
3. Atornille de nuevo la tapa de presión sobre la parte superior del depósito de agua. Cerciórese que la tapa esté apretada.
4. Introduzca el sujetafiltro dentro de la cabeza preparadora y coloque la garrafa de vidrio con la tapadera, sobre la bandeja recogegotas.
5. Enchufe la máquina en la toma de energía y mueva el interruptor a la posición **"on"**. La luz indicadora en el interruptor de energía le dirá que la máquina está conectada.
6. Ponga un vaso con agua fría debajo de la-boquilla de-vapor. Cuando el vinagre comience a fluir **dentro** de la garrafa, sumerja la boquilla dentro del agua y abra lentamente la boquilla de vapor, dando vuelta a la derecha al botón de control del vapor. Esto limpiará cualquier residuo dejado en la boquilla al espumar la leche.
7. Cuando todo el viagre ha sido bonbeado dentro de la garrafa y el flujo se ha detenido, ponga el interruptor en la posición **"off"** y deje que la máquina se enfríe.
8. Repita los pasos 1 a 7 utilizando solamente agua de la llave para enjuagar fuera de la máquina cualquier vestigio de vinagre. Repita dos veces este **proceso**, dejando que la máquina se enfríe y aligerando la presión antes de repetir.

Limpieza de la Garrafa

El agua cruda puede dejar un sedimento mineral blanquesino en el interior de la garrafa. El café decolora estos sedimentos, dejando algunas veces una mancha pardusca adentro de la garrafa. Para quitar estas manchas, siga estos pasos sencillos:

1. Vierta vinagre blanco caliente en la **garrafe** y deje que esté en remojo por 20 minutos.
2. Deseche el viagre. Lave y enjuague minuciosamente la **garrafe** utilizando un trozo de tela suave. No use limpiadores ásperos abrasivos. Estos pueden ocasionar raspaduras que pueden producir roturas.

¡RECETAS QUE A USTED LE ENCANTARAN PROBAR!

Capuchino San Francisco
espresso, chocolate caliente
al vapor, coñac, rematado con
crema batida y canela

Café Tuaca
espresso, licor de tuaca,
rematado con crema batida

Café Tía María
espresso, licor Tía María,
rematado con crema batida

Café Mejicano
espresso, Kahlua, tequilla,
rematado con crema batida

Café Irlandés
espresso, whiskey Irlandés
rematado con crema batida

Café Viena
espresso, coñac,
rematado con crema batida.

Café Grand Marnier
espresso, licor Grand Marnier,
rematado con crema batida y

Café Romano
espresso, coñac
y una pizca de limón

Garantía Limitada

Mr. Coffee, inc., garantiza al comprador que las cafeteras para café "espresso" y "cappuccino", modelos **ECM3** y **ECM4** de Mr. **Coffee®** (con excepción del juego de cables y las piezas de vidrio) estarán libres de defectos de fabricación en el material o la mano de obra durante un período de un año, contado a partir de la compra original, cuando se utilicen de acuerdo con las indicaciones del fabricante explicadas en las instrucciones, las cuales constituirán la conservación razonable y necesaria por parte del comprador.

En caso de defectos de fabricación en el material o la mano de obra, Mr. Coffee, inc. acepta reparar o cambiar gratuitamente la cafetera para espresso Mr. Coffee. El único recurso del comprador contra Mr. Coffee, inc. consistirá en la reparación o el cambio del producto Mr. Coffee defectuoso.

Toda reparación debe hacerse por un centro de reparaciones Mr. Coffee autorizado. Para encontrar un centro de reparaciones Mr. Coffee, llame al 1-800-321-0370. Como comprador, usted asumirá todos los costos causados por el transporte de su máquina Mr. Coffee hasta y desde el centro de reparaciones Mr. Coffee autorizado. *Mr. Coffee, inc. no se hará responsable de ninguna reparación realizada en cualquier centro que no sea un centro de reparaciones Mr. Coffee autorizado.*

Esta garantía le concede derechos legales específicos; usted puede tener también otros derechos que varían de estado a estado. La duración de cualquier garantía tácita se limita al año previsto en esta garantía expresa, que es la única. Algunos estados no permiten limitaciones a la duración de las garantías tácitas; por lo tanto, la limitación anterior puede no ser aplicable en su caso.

Mr. Coffee no se hará cargo en ningún caso por los daños y perjuicios accidentales o indirectos, ni por ningún daño debido al mal uso o al uso de accesorios no autorizados. No se asume ninguna responsabilidad por los daños causados por el uso de un circuito eléctrico no especificado **in** el producto de Mr. Coffee, inc. Algunos estados no permiten la limitación ni la exclusión de responsabilidad por los daños y perjuicios accidentales o indirectos; por lo tanto, la anterior limitación puede no ser aplicable en su caso.

Mr. Coffee, inc.
24799 Miles Road, Bedford Heights, Ohio 44146-1399

PRÉCAUTIONS IMPORTANTES

Lorsque vous utilisez un appareil électrique, des mesures élémentaires de **sécurité** doivent toujours être observées de façon à réduire les risques d'incendie, de décharge électrique **et/ou** de blessure à personne, dont les mesures suivantes:

1. **Lisez attentivement toutes les instructions avant d'utiliser la machine.**
2. Ne touchez pas les surfaces chaudes. Utilisez les poignées ou boutons.
3. Pour éviter tout risque de décharge électrique, ne plongez pas le fil électrique, les fiches ou la machine dans l'eau ou tout autre liquide.
4. L'utilisation de cet appareil par des enfants est déconseillée.
5. Eteignez **l'appareil en** tournant l'interrupteur sur ARRET (OFF) et **débranchez-le** lorsqu'il n'est pas en utilisation et avant son nettoyage. Laissez-le refroidir avant de remettre ou retirer des **éléments** et avant de le nettoyer.
6. N'utilisez pas d'appareil électrique dont le fil ou la prise aurait été endommagé, ni après un mauvais fonctionnement ni **après** que l'appareil **lui-même** ait été endommagé. Ne retournez l'appareil pour réparation qu'au centre d'entretien agréé le plus proche.
7. L'emploi d'accessoires non recommandés par MR. COFFEE, inc., peut entraîner des accidents ou des blessures.
6. N'utilisez pas l'appareil à l'extérieur.
9. Ne laissez pas le fil pendre au-dessus d'angles de table ou de comptoir ni en contact avec une surface chaude.
10. Ne posez pas l'appareil sur ou près d'une plaque électrique ou **à** gaz, ou dans un four chaud.
11. Pour éteindre la machine, mettez les boutons de commande sur la position arrêt (off) puis débranchez le fil de la prise murale.
12. N'utilisez pas **l'appareil** dans un but différent de celui pour lequel il a été conçu.
13. Utilisez-le sur une surface plate et rigide uniquement pour ne pas risquer d'interrompre la circulation d'air sous l'appareil.
14. Assurez-vous toujours que le bouchon de pression du réservoir d'eau est bien fermé avant de mettre la machine en marche.
15. N'ENLEVEZ PAS le bouchon de pression tant que la pression ne s'est pas entièrement échappée. Reportez-vous à la section "**ATTENTION-PRESSION.**"
16. **ATTENTION:** afin de **réduire** tout risque d'incendie ou de décharge, ne retirez aucun couvercle permettant l'entretien ou les réparations. Aucune partie interne de l'appareil ne devra être réparée par l'utilisateur.
17. **Utilisation et entretien du récipient à café**
La non-observation des instructions suivantes peut entraîner la casse de la carafe:
 - a. Cette carafe est conçue pour être utilisée avec votre cafetière **Expresso** Mr. Coffee et ne doit par conséquent en aucun cas être utilisée sur les plaques de cuisson d'une cuisinière ni dans quelque four que ce soit y compris un four à micro-ondes.
 - b. Ne posez pas une carafe chaude sur une surface humide ou froide.
 - c. N'utilisez pas une carafe fendue ou dont le manche serait desserré ou peu solide.

CONSERVES CES INSTRUCTIONS

INSTRUCTIONS PARTICULIÈRES CONCERNANT LE FIL ÉLECTRIQUE

1. Un cordon d'alimentation court est fourni avec l'appareil afin de réduire les risques d'accident éventuel pouvant survenir lorsque l'on s'empêtre dans un fil trop long ou trébuche dessus.
2. Une rallonge peut être achetée et utilisée à condition d'observer les précautions nécessaires.
3. Si une rallonge est utilisée, les spécifications électriques de la rallonge doivent être de 10 ampères et 120 volts. La longueur totale de fil obtenue doit être disposée de façon à ce qu'elle ne pende pas au-dessus du comptoir ou de la table d'où elle risquerait d'être tirée par des enfants ou de faire trébucher queiqu'un accidentellement.

* Cet appareil est équipé d'une prise polarisée (une lame est plus large que l'autre). A titre de sécurité, cette prise ne peut rentrer que d'une manière dans un réceptacle polarisé. Si la prise ne rentre pas complètement dans le réceptacle, inversez la prise. Si elle ne rentre toujours pas, contactez un électricien qualifié. N'essayez pas de déjouer cette sécurité.

Si une réparation est nécessaire, ne renvoyez pas l'appareil au magasin.

Toutes les réparations doivent être faites dans un centre de service après-vente Mr. Coffee agréé.

S.V.P. ne retournez pas cet appareil au magasin.

Pour trouver le centre de service après-vente Mr. Coffee le plus près de chez vous, appelez notre numéro d'appel gratuit: 1-800-321 -0370.

Notre bureau est ouvert de **8h30** à **17h00** EST, du lundi au vendredi.

Veillez inclure le numéro de modèle (ECM3, **ECM4**), la date d'achat, et la description du problème dans **outes** les communications.

Si vous avez des questions ou des commentaires, veuillez écrire à:

CONSUMER AFFAIRS DEPT.
MR. COFFEE, inc.
24700 Miles rd.
BEDFORD HEIGHTS, OH 44146

Introduction

Félicitations! Vous voici propriétaire d'une cafetière **Espresso/Cappuccino Mr. Coffee**. Cet appareil exceptionnel a été conçu pour vous **préparer** d'excellentes tasses d'espresso ou de cappuccino.

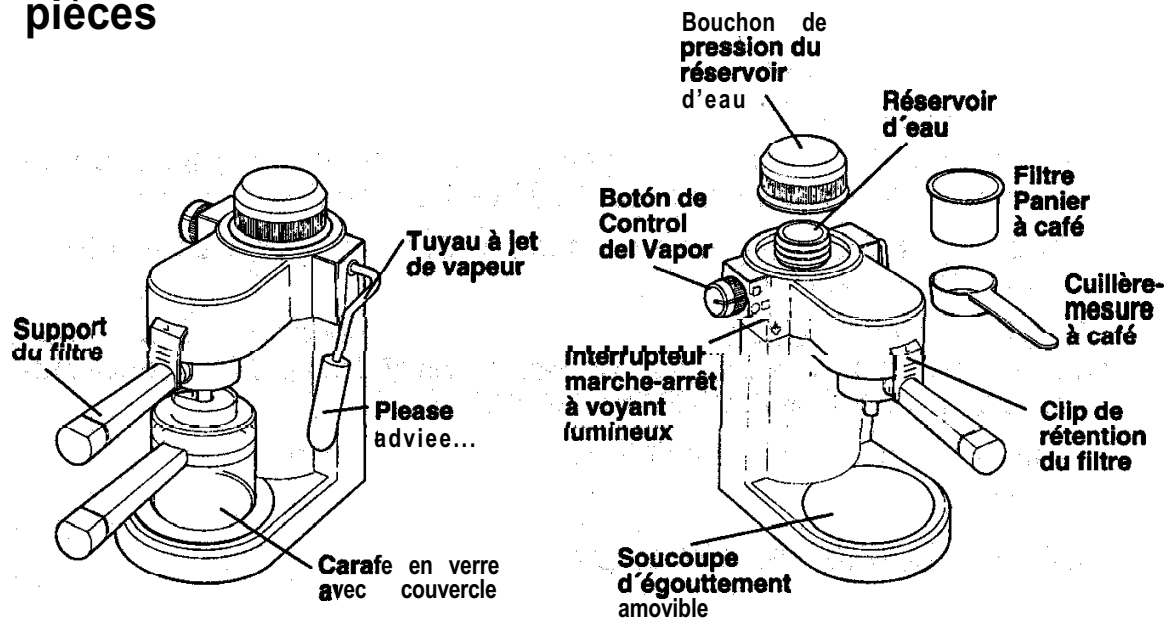
L'**espresso** est obtenu par une méthode qui consiste à forcer de l'eau très chaude à passer à travers du café finement moulu. **Apprécié** en Europe, c'est un **café** beaucoup plus riche et corsé que le **café** que boivent d'ordinaires les **Américains**. A cause de sa richesse, l'**espresso** se sert habituellement en portions de 3 à 5 cl, dans de petites tasses à moka.

La plupart des buveurs d'espresso en-dehors de l'**Europe** préfèrent le cappuccino, une boisson faite d'un tiers d'espresso, d'un tiers de lait chaud et d'un tiers de mousse.

La préparation d'un **espresso** ou d'un cappuccino est très différente de celle d'un café ordinaire dans la mesure **où la machine fonctionne sous pression et demande une attention particulière**. Pour assurer votre **sécurité** et une longue durée de vie à votre appareil, veuillez lire toutes les instructions, **précautions**, notes et avertissements.

Table des matières	Page #
Précautions importantes.	24
En cas de besoin de réparation	25
Caractéristiques de l'appareil et diagramme des pièces	27
Comment préparer de bons espresso et cappuccino chez soi.	27
Avant d' utiliser votre cafetière espresso.	28
Comment préparer un espresso	28
Comment faire un cappuccino	30
Attention – Pression	31
Nettoyage après chaque utilisation.	32
Détartrage	32
Recettes.. ..	.
Garantie limitée.	35

Caractéristiques de l'appareil et diagramme des pièces



Comment préparer de bons **expresso** et cappuccino chez soi

Le café

Le café devre être fraîchement moulu et très torréfié. Le café **prémoulu** ne garde son arôme **que** pendant sept **ou** huit jours à condition qu'il soit conservé dans un récipient hermétique dans **un endroit** frais et sombre. Ne le conservez pas au réfrigérateur ni au congélateur.

Les grains entiers, **à** ne moudre qu'au dernier moment, sont conseillés. Les grains de café conservés dans un récipient hermétique ne commencent à perdre leur arôme qu'au bout de quatre semaines.

La mouture

C'est une étape vitale dans l'élaboration de l'expresso, qui demande de la pratique. Le grain doit être finement moulu mais pas trop.

- La mouture idéale est granuleuse, faite de petits grains rappellent le sel ou le sable.
- Si la mouture est trop fine, l'eau ne passera pas à travers le café, même si elle est sous pression. Cette mouture ressemble **à** de la poudre et au toucher **évaque** la farine.
- Si la mouture est trop grossière, l'eau passera trop vite à travers le café, empêchant sa pleine saveur de s'exprimer.

Assurez vous que vous utilisez un moulin à café de bonne qualité, de façon à ce que le grain moulu ait une texture uniforme. Les moulins à café de forme ovale sont déconseillés **parce que** la mouture obtenue n'est pas régulière. Nous recommandons l'utilisation d'un moulin à café Mr. Coffee. La chambre **à** mouliner ronde en acier inoxydable garantit une mouture plus régulière.

Avant d'utiliser votre cafetière expresso Mr. Coffee

Veillez vous reporter à la page 27 pour le diagramme des pièces.

1. Lavez toutes les pièces amovibles avec un produit nettoyant doux et rincez-les soigneusement.
2. Pour rincer l'intérieur de la machine, suivez les mêmes étapes que pour faire du **café** mais en utilisant uniquement de l'eau.
3. Mettez l'interrupteur de mise en marche sur la position arrêt (off) et débranchez la machine.
4. **N'enlevez pas le bouchon de pression du réservoir d'eau tant que la pression ne s'est pas complètement échappée. Reportez-vous à la section "ATTENTION-PRESSION".**

Votre cafetière expresso est maintenant prête à l'emploi.

Comment préparer un expresso

Veillez vous reporter à la page 27 pour le diagramme des pièces.

Remplir le réservoir d'eau...

1. Tournez le bouton de sélection sur la position ARRET.
2. Remplissez la carafe en verre de suffisamment d'eau pour les tasses d'expresso et la vapeur pour le **moussage** de la manière suivante:
 - Pour 2 tasses, remplissez d'eau jusqu'au point intermédiaire entre les marques 2 tasses et 4 tasses.
 - Pour 4 tasses, remplissez d'eau jusqu'au bas de la bande métallique.
3. Enlevez le bouchon de pression du réservoir d'eau et versez l'eau dans le réservoir. Ne remplissez pas jusqu'en haut du réservoir sinon il n'y aura pas assez d'espace pour permettre la formation de vapeur.
ATTENTION: Ne versez pas d'eau dans le réservoir lorsque la machine est en marche. vérifiez que l'interrupteur de marche-arrêt est bien sur la position arrêt (off). Ne versez pas plus de **0,30** litre d'eau dans le réservoir.
4. Revissez le bouchon de pression sur le réservoir d'eau. **Assurez-vous** qu'il est bien serré.

Préparer le café

1. Mettez le filtre-panier dans le support du filtre. Voir schéma numéro 1.
2. Remplissez le filtre-panier jusqu'en haut de café **expresso** fraîchement et finement moulu. Le café moulu finement doit être granuleux comme du sel. Essuyez tout excès de café du bord du support du filtre, **cela** risquerait d'empêcher l'ajustement sous la tête du percolateur,

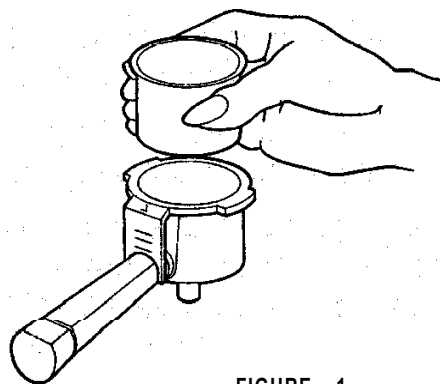


FIGURE 1

ATTENTION:

- a. Ne tassez pas le café.
 - b. Ne surchargez pas le filtre-panier de **café**. Cela pourrait causer obstruction ou débordement.
3. Assurez-vous que la pince de retenue du filtre est en position relâchée en tirant le dos de la pince **vers** votre main. Pour cela faites pivoter le clip en arrière vers votre main. Positionnez le support du filtre sous la tête du percolateur de façon à ce que le manche se trouve à la gauche du centre. Soulevez le support du filtre et insérez-le dans la tête du percolateur. Tournez le manche complètement vers la droite jusqu'à ce qu'il s'arrête juste à la droite du centre. Le support est maintenant fermement fixé à la machine. Voir schéma numéro 2.

Faire passer l'expresso...

ATTENTION: VEUILLEZ VOUS REPORTER A LA SECTION SUIVANTE POUR LA PREPARATION DU **CAPPUCCINO**.

1. Assurez-vous que la soucoupe 'd'égouttement est en place.
2. Mettez le couvercle sur la carafe en verre et posez-la sur la soucoupe d'égouttement.
3. Assurez-vous que le bouton de contrôle de la vapeur est en position arrêt (off).
4. Branchez le cordon d'alimentation dans une prise et faites tourner le bouton du sélecteur vers le haut vers le symbole de café. Le voyant de l'interrupteur s'allume pour que vous sachiez que la machine est en marche. Voir schéma numéro 3.
5. L'expresso commencera à s'écouler dans la carafe dans quatre minutes environ.
6. Quand l'**expresso** aura cessé de couler dans la carafe en verre, mettez l'interrupteur de marche arrêt sur la position arrêt au centre. Débranchez le cordon d'alimentation et laissez la machine refroidir. Ne retirez pas le bouchon de pression tant que toute la pression ne s'est pas échappée de la machine. Reportez-vous à la section "ATTENTION-PRESSION".
7. Après que la machine ait refroidi et que toute la pression se soit échappée, retirez le support du filtre de la tête du percolateur. En vous servant du clip de rétention du filtre pour maintenir le filtre-panier dans le support du filtre, retournez le support du filtre pour le vider. Rincez le filtre-panier et son support à l'eau.

ATTENTION: Les parties métalliques du support du filtre peuvent être encore très chaudes. Soyez bien sûr d'utiliser le clip de rétention du filtre lorsque vous jetez le **marc** du café. Faites refroidir ces parties en les passant sous l'eau froide.

6. Reportez-vous aux instructions concernant le nettoyage en page 32.

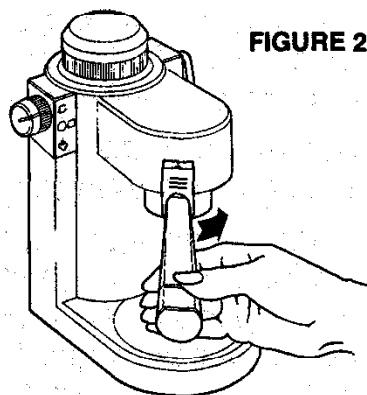


FIGURE 2

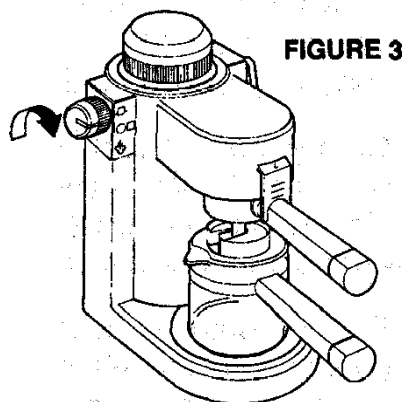


FIGURE 3

Comment faire un Cappuccino

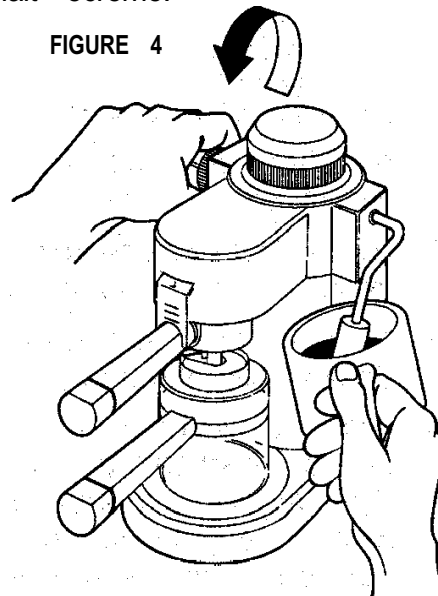
Faire mousser le lait pour un cappuccino demande de la pratique. Ne vous découragez pas si le résultat n'est pas parfait dès la première fois. Vous pouvez avoir besoin de plusieurs essais avant d'arriver à maîtriser le procédé. Vous disposez d'un temps limité pour achever le processus visant à faire mousser le lait, et pour cette raison vous devez vous préparer avant de commencer à faire passer l'expresso.

Pour obtenir les meilleurs résultats, nous conseillons de faire mousser le lait dans un récipient à part et de le verser ensuite dans votre café. Mais vous pouvez également faire mousser le lait dans une tasse à cappuccino et verser ensuite votre café dans la tasse.

1. Remplissez au tiers une petite cruche en inox ou en céramique de lait froid ou de lait et de crème et posez-la à côté de la machine. Pour obtenir les meilleurs résultats, utilisez du lait écrémé.
2. Suivez les étapes 1 à 5 de "**Comment préparer un expresso.**"
3. Lorsque l'expresso commence à passer et atteint la marque de mousse sur la carafe, positionnez le pot à lait sous le bec de vapeur pour que l'embout du bec soit juste sous la surface du lait. Voir la figure 4.

ATTENTION: L'embout doit être sous la surface du lait pour éviter des éclaboussures de liquide brûlant.

Note: Le lait chaud ne moussant pas, il convient de d'abord faire mousser le lait juste sous la surface puis de le chauffer en enfonçant plus profondément le tuyau à vapeur.



4. Faites tourner le bouton de sélection vers le bas. Remuez lentement et doucement la carafe dans un mouvement circulaire autour de bec de tuyau à vapeur pour que la vapeur circule juste en dessous de la surface du lait. Quand le lait a doublé de volume, enfoncez le bec à vapeur plus profondément pour continuer à chauffer le lait. Pour éviter les projections de lait chaud, ne faites pas dépasser le bec du tuyau à vapeur au-dessus de la surface du lait tant que le bouton de contrôle de la vapeur n'est pas fermé. Fermez le bouton de contrôle de vapeur en le ramenant en position centrale alignée sur la marque indentée.
5. Lorsque l'expresso a fini de couler dans la carafe, mettez l'interrupteur sur la position arrêt au centre du bouton. Versez l'expresso dans les tasses. Puis versez le lait chaud dans votre café et ajoutez la mousse à la cuillère sur le dessus. Le cappuccino peut être saupoudré de chocolat en poudre, de cannelle ou de sucre.
6. Débranchez le cordon d'alimentation et laissez la machine refroidir. **Nénievez pas le bouchon de pression tant que la pression ne s'est pas complètement échappée de la machine. Reportez-vous à la section "ATTENTION-PRESSION".**
7. Continues à suivre les étapes 7 et 8 de la préparation d'un expresso.

Problèmes et causes

Problème	Causes
Le café ne coule pas	Pas d'eau dans le réservoir. Le café est moulu trop fin. Trop de café dans le filtre. Le bouchon de pression n'est pas bien fermé, la vapeur s'échappe . La machine n'est pas en marche.
Le café coule trop vite	Le café est moulu trop grossièrement. Pas assez de café dans le filtre-panier.
Le café sort par les bords du support du filtre	Le support du filtre n'est pas correct- ment inséré dans la tête du percolateur. Il y a des petits morceaux de café sur le tour du filtre-panier Il y a trop de café dans le filtre-panier.
Pas de vapeur générée	Le réservoir d'eau est vide. Il y a trop d'eau dans le réservoir, pas de place pour la vapeur. La machine n'est pas en marche.
Le café sort en gicant	Le réservoir d'eau est vide ou presque vide, pas assez de pression.
Le lait n'est pas mousseux	On a commencé à faire mousser le lait trop tard dans le cycle d'élaboration. Plus assez de vapeur.
Moins de la totalité d'expresso passé	Trop de vapeur utilisée pour faire mousser le lait. Plus assez d'eau.

ATTENTION – PRESSION

Afin d'éviter d'éventuelles brûlures corporelles **et/ou** d'autres blessures provoquées par de la vapeur chaude, etc., **NE JAMAIS** ouvrir le bouchon de pression pendant que votre cafetière **expresso** Mr. Coffee est en marche ou tant qu'il y a de la pression dans le réservoir d'eau.

Afin de vérifier si la machine est sous pression, procédez comme suit:

1. Tournez le bouton de sélection sur la position centrale ou sur **ARRET** et débranchez.
2. Ouvrez l'embout de vapeur en tournant doucement le bouton vers le bas. Si de la vapeur s'échappe du bec, cela signifie que le réservoir d'eau est encore sous pression. Fermez le bouton de contrôle de la vapeur.
3. Pour libérer la pression, placez une cruche avec un peu d'eau sous le bec de vapeur et immergez le bec dans l'eau. Ouvrez lentement le bouton de contrôle de la vapeur et libérez la vapeur.
4. Quand le bec de vapeur cesse de laisser échapper de la vapeur, le bouchon de pression peut être retiré.
5. Fermez l'embout de vapeur en le ramenant sur le trait central en indentation.

Nettoyage de votre cafetière expresso-cappuccino

1. Débranchez le câble d'alimentation de l'appareil.
2. Essuyez le bec à vapeur avec un chiffon humide et tiède. Le bec à vapeur pouvant être encore chaud, ne le touchez pas avec vos mains.
3. La carafe, le couvercle de la carafe, le support du filtre, le filtre-panier et la soucoupe d'égouttement peuvent être lavés dans de l'eau savonneuse chaude ou au lave-vaisselle (dans le panier supérieur, loin de la résistance de **chauffage/séchage**).

ATTENTION: Ne plongez pas la machine dans l'eau. N'enlevez pas le bouchon de pression pendant que la machine est sous pression. Reportez-vous à la section "**ATTENTION-PRESSION**".

4. Lorsque la pression est relâchée, retirez le bouchon de pression. Videz le restant d'eau par l'ouverture supérieure du réservoir d'eau. **Revissez** le bouchon de pression à sa place.
5. Videz toujours entièrement l'eau du réservoir d'eau entre chaque utilisation,
6. Essuyez le logement avec un chiffon doux et humide. N'utilisez pas d'abrasifs ou de chiffons à récurer qui risqueraient de rayer le revêtement de l'appareil.
7. Ne rangez pas le support du filtre en le fixant à la tête du percolateur. Cela pourrait abîmer le joint que se trouve entre la tête du percolateur et le support du filtre pendant le passage de l'expresso.

Détartrage

L'accumulation de dépôts minéraux dans **vo**tre cafetière **expresso** affecte le fonctionnement de la machine. Votre cafetière **expresso** doit être détartrée lorsque vous commencez à remarquer une augmentation du temps de passage de l'**expresso** ou lorsqu'il y a de la vapeur supplémentaire. Vous remarquerez **également** une accumulation de dépôts blancs à la surface de la tête du percolateur.

La fréquence des détartrages dépend de la dureté de l'eau utilisée. Le tableau suivant **vous donne** la fréquence suggérée des nettoyages.

FREQUENCE SUGGEREE DES NETTOYAGES

Type d'eau	Fréquence de nettoyage
Eau douce	Tous les 80 passages de café
Eau dure	Tous les 40 passages de café

Votre cafetière **expresso** peut être détartrée en utilisant un litre de vinaigre blanc de ménage.

Commencez par le nettoyage du réservoir d'eau, en suivant les étapes 1 à 5:

1. Assurez-vous que le bouton de contrôle de la vapeur et l'interrupteur de marche-arrêt sont en position arrêt (off) et que le fil est débranché.
2. Si la machine est froide et que toute la pression s'est échappée (voyez la section "**ATTENTION-PRESSION**"), enlevez le bouchon de pression et versez **0,30** litre de vinaigre blanc de ménage pur dans le réservoir d'eau.

3. Vissez le bouchon de pression et laissez la machine reposer pendant une nuit avec le vinaigre dans le réservoir d'eau.
 4. Enlevez le bouchon de pression et videz le vinaigre par l'ouverture supérieure de la cafetière expresso.
 5. Rincez à fond le réservoir d'eau avec de l'eau du robinet, en répétant la manoeuvre deux fois.
1. Faites bien attention à commencer par le nettoyage de l'intérieur de réservoir d'eau.
 2. Assurez-vous que tous les interrupteurs sont sur la position arrêt (off), que le fil est débranché, que la machine est froide et qu'il ne reste pas de pression à l'intérieur de la machine (voyez la section "**ATTENTION-PRESSION**"). Enlevez le bouchon de pression et versez **0,30** litre de vinaigre blanc de ménage non-utilisé dans le réservoir d'eau.
 3. Remettez le bouchon de pression sur le réservoir d'eau. Assurez-vous que le bouchon est bien fermé.
 4. Insérez le support à filtre dans la tête du percolateur et placez la carafe en verre avec son couvercle sur la soucoupe d'égouttement.
 5. Branchez la machine dans la prise murale et mettez l'interrupteur en position marche (on). Un voyant lumineux sur l'interrupteur vous avertit que la machine est, en marche.
 6. Mettez une tasse contenant de l'eau froide sous le bec du tuyau à vapeur. Quand le vinaigre commence à s'écouler dans la carafe, trempez le bec à vapeur dans l'eau et ouvrez le bec à vapeur lentement en tournant le bouton de contrôle de la vapeur dans le sens inverse des aiguilles d'une montre. Au bout de quelques secondes fermez le bec à vapeur en tournant le bouton dans le sens des aiguilles d'une montre. Ceci nettoiera tous les résidus accumulés sur le bec en faisant mousser du lait.
 7. Quand tout le vinaigre est passé dans la-carafe et que l'écoulement a cessé, mettez l'interrupteur sur la position arrêt (off) et laissez la machine refroidir.
 8. Répétez **les étapes** 1 à 7 en utilisant uniquement de l'eau du robinet pour débarrasser la machine de toute trace de vinaigre se trouvant encore à l'intérieur. Répétez deux fois la manoeuvre, en laissant la machine refroidir et la **pression** s'échapper entre chaque manoeuvre.

Nettoyage de la carafe en verre

De l'eau dure peut laisser un dépôt calcaire blanc à l'intérieur de la carafe. Le café décolore ces **dépôts**, en laissant quelquefois une tache brune à l'intérieur de la carafe. Pour enlever ces taches, suivez ces étapes simples:

1. Versez du vinaigre blanc chaud dans la carafe et laissez tremper pendant 20 minutes.
2. Jetez le vinaigre. Lavez et rincez complètement la carafe en utilisant un chiffon doux. N'utilisez pas de nettoyeurs abrasifs durs qui rayeraient le verre ce qui risquerait de casser **la carafe**.

QUELQUES IDÉES DE RECETTES QUE VOUS VOUS ALLEZ ADORER!

Cappuccino San Francisco

Expresso, chocolat chaud à la vapeur, brandy, le tout surmonté de **crème** fouettée et saupoudré de cannelle

Café Tuaca

Expresso, liqueur Tuaca, Surmonté de crème fouettée

Café Tia Maria

Expresso, liqueur Tia Maria, recouvert de lait moussieux

Café mexicain

Expresso, Kahlua, tequilla, surmonté de **crème fouettée**

Irish coffee

Expresso, whisky irlandais, surmonté de crème fouettée

Café viennois

Expresso, brandy, surmonté de crème fouettée

Café Grand-Marnier

Expresso, liqueur de Grand-Marnier, surmonté de crème fouettée et de zesta d'orange répé.

Café Roman0

Expresso, brandy et rondelle de citron

Garantie Limitée

Mr. Coffee, inc. garantit à l'acheteur que la machine à faire des **expresso** et des cappuccino de Mr. Coffee, modèle ECM3, ECM4 (à l'exception du fil et des pièces en verre) est sans défaut de matériau ou de fabrication pour une période d'un an à partir de la date de l'achat original si elle est utilisée conformément aux instructions du fabricant, ce qui constitue un entretien raisonnable et nécessaire par l'acheteur.

En cas de défauts du fabricant en matériau ou en fabrication. Mr. Coffee, inc. accepte de réparer ou de remplacer gratuitement une machine défectueuse à faire des **expresso** et des cappuccino. Le recours exclusif d l'acheteur contre Mr. Coffee sera la réparation ou le remplacement d'un produit Mr. Coffee défectueux.

Toutes les réparations doivent être faites dans un centre d'entretien Mr. Coffee agréé. Pour trouver un centre d'entretien Mr. Coffee, appelez le 1-800-321-0370. En tant qu'acheteur, vous assumez tous les coûts de transport de votre machine vers le et du centre d'entretien Mr. Coffee agréé. **Mr. Coffee, inc. ne sera pas responsable des réparations effectuées dans un centre qui n'est pas un centre d'entretien Mr. Coffee agréé.**

Cette garantie vous donne des droits légaux spécifiques, et vous pouvez aussi avoir d'autres droits que varient d'un état à l'autre. Toute garantie implicite est limitée en durée à l'année couverte dans la **présente** garantie explicite unique. Certains états ne permettent pas les limitations sur la durée de la garantie implicite, par conséquent la limite ci-dessus peut ne pas vous concerner.

En aucun cas, Mr. Coffee, inc. ne sera responsable des dommages incidentels ou indirects, ni des dommages causés par la mauvaise utilisation ou l'utilisation d'un accessoire non autorisé: ni n'assumera ou ne sera responsable des dégâts entraînés par l'utilisation d'un circuit électrique non spécifié sur le produit Mr. Coffee, inc. Certains états ne permettent pas l'exclusion ou la limitation des dommages incidentels ou indirects, par conséquent la limite ci-dessus peut ne pas vous concerner.

Mr. Coffee, inc.
24700 Miles Road, Bedford Heights, Ohio 44149-1399

FOR BETTER TASTING COFFEE AND TEA, JUST ADD WATER.

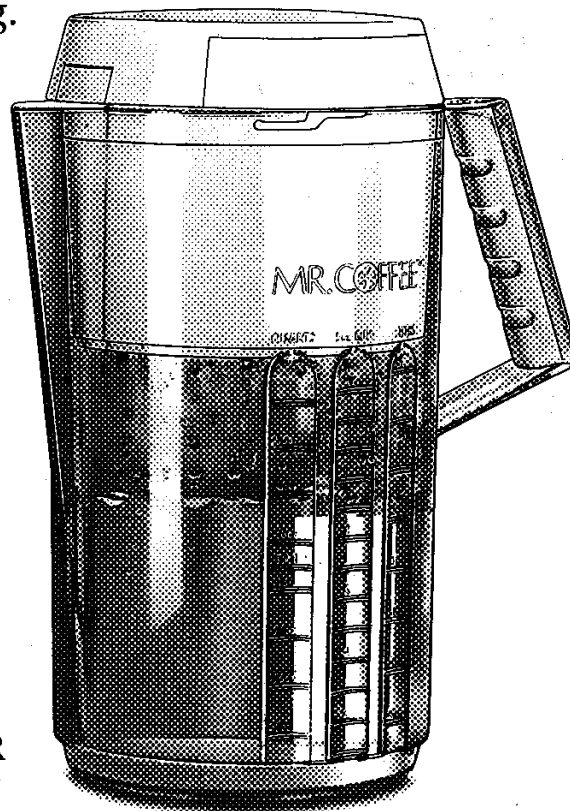
Since any beverage you make with water can only be as good as the water you start with, why not start out clean and fresh with the Mr. Coffee® Water Filter Pitcher.

It filters 2 quarts in just over a minute.

The activated carbon filter eliminates over 90% of lead, copper and chlorine. With an indicator that tells you when to change the replaceable filter, there's no counting or record keeping.

A hinged spout lid locks out food odors while the pitcher is being refrigerated.

Look for the Water Filter Pitcher wherever Mr. Coffee products are sold. Call **1-800-321-0370** for the retailer nearest you or to order direct.



MR. COFFEE®
WATER FILTER PITCHER

Free Manuals Download Website

<http://myh66.com>

<http://usermanuals.us>

<http://www.somanuals.com>

<http://www.4manuals.cc>

<http://www.manual-lib.com>

<http://www.404manual.com>

<http://www.luxmanual.com>

<http://aubethermostatmanual.com>

Golf course search by state

<http://golfingnear.com>

Email search by domain

<http://emailbydomain.com>

Auto manuals search

<http://auto.somanuals.com>

TV manuals search

<http://tv.somanuals.com>