

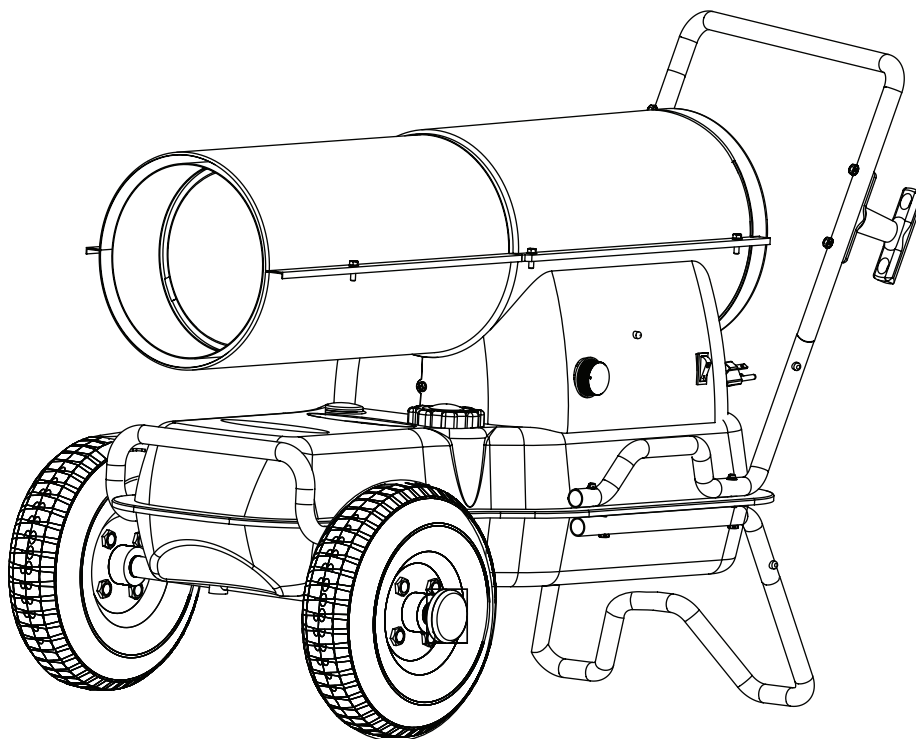


# OPERATING INSTRUCTIONS AND OWNER'S MANUAL

Model #

MH50KR, MH75KTR,  
MH125KTR, MH175KTR,  
MH210KTR

**READ INSTRUCTIONS CAREFULLY:** Read and follow all instructions. Place instructions in a safe place for future reference. Do not allow anyone who has not read these instructions to assemble, light, adjust or operate the heater.



## KEROSENE FORCED-AIR HEATER

**⚠ WARNING:** If the information in this manual is not followed exactly, a fire or explosion may result causing property damage, personal injury or loss of life.


- Do not store or use gasoline or other flammable vapors and liquids in the vicinity of this or any other appliance.
- Service must be performed by a qualified service agency.

This is an unvented portable heater. It uses air (oxygen) from the area in which it is used. Adequate combustion and ventilation air must be provided. Refer to page 3.






UL-733, &amp;CSA/CAN3-B140.9.3


**WARNING:**

 YOUR SAFETY IS IMPORTANT TO YOU AND TO OTHERS, SO PLEASE READ THESE INSTRUCTIONS BEFORE YOU OPERATE THIS HEATER.

**GENERAL HAZARD WARNING:**

-  FAILURE TO COMPLY WITH THE PRECAUTIONS AND INSTRUCTIONS PROVIDED WITH THIS HEATER, CAN RESULT IN DEATH, SERIOUS BODILY INJURY AND PROPERTY LOSS OR DAMAGE FROM HAZARDS OF FIRE, EXPLOSION, BURN, ASPHYXIATION, CARBON MONOXIDE POISONING, AND/OR ELECTRICAL SHOCK.
-  ONLY PERSONS WHO CAN UNDERSTAND AND FOLLOW THE INSTRUCTIONS SHOULD USE OR SERVICE THIS HEATER.
-  IF YOU NEED ASSISTANCE OR HEATER INFORMATION SUCH AS AN INSTRUCTIONS MANUAL, LABELS, ETC. CONTACT THE MANUFACTURER.


**WARNING:**

 **CARBON MONOXIDE CAN KILL YOU**  
USING A PORTABLE GAS CAMPING HEATER INSIDE A TENT, RV, CAMPER, VEHICLE, SHELTER OR OTHER ENCLOSED AREAS CAN PRODUCE DEADLY CARBON MONOXIDE


**WARNING:**

 NOT FOR HOME OR RECREATIONAL VEHICLE USE

**WARNING:**

 FIRE, BURN, INHALATION, AND EXPLOSION HAZARD. KEEP SOLID COMBUSTIBLES, SUCH AS BUILDING MATERIALS, PAPER OR CARDBOARD, A SAFE DISTANCE AWAY FROM THE HEATER AS RECOMMENDED BY THE INSTRUCTIONS NEVER USE THE HEATER IN SPACES WHICH DO OR MAY CONTAIN VOLATILE OR AIRBORNE COMBUSTIBLES, OR PRODUCTS SUCH AS GASOLINE, SOLVENTS, PAINT THINNER, DUST PARTICLES OR UNKNOWN CHEMICALS.

**WARNING:**

 **The State of California requires the following warning:**  
COMBUSTION BY-PRODUCTS PRODUCED WHEN USING THIS PRODUCT CONTAIN CARBON MONOXIDE, A CHEMICAL KNOWN TO THE STATE OF CALIFORNIA TO CAUSE CANCER AND BIRTH DEFECTS (OR OTHER REPRODUCTIVE HARM).

 **WARNING:**

- DO NOT USE GASOLINE, NAPHTHA OR VOLATILE FUELS.
- STOP HEATER BEFORE ADDING FUELS.
- ALWAYS FILL OUTDOORS AWAY FROM OPEN FLAME
- DO NOT USE EXTERNAL FUEL SOURCE.
- DO NOT OPERATE HEATER WHERE FLAMMABLE LIQUIDS OR VAPORS MAY BE PRESENT.
- DO NOT START HEATER WHEN CHAMBER IS HOT
- DO NOT START HEATER WHEN EXCESS FUEL HAS ACCUMULATED IN THE CHAMBER.
- DO NOT PLACE COOKING UTENSILS ON TOP OF THE HEATER.
- PLUG ELECTRICAL CORD INTO A PROPERLY GROUNDED THREE-PRONG RECEPTACLE.

 **MH50KR & MH75KTR WARNING:**

**Not suitable for use on wood floors or other combustible materials. When used the heater should rest on a suitable insulating material at least 1 inch thick and extending 3 feet or more beyond the heater in all directions.**

**CONTENTS**

WARNINGS ..... 2

HEATER SPECIFICATIONS ..... 3

OPERATING PRECAUTIONS ..... 3

SAFETY PRECAUTIONS ..... 3

OPERATING INSTRUCTIONS ..... 3

MAINTENANCE, STORAGE AND SERVICE ..... 4

TROUBLE SHOOTING ..... 6

WIRING DIAGRAM ..... 7

PARTS LIST ..... 8






EXPLODED VIEW ..... 9

WARRANTY ..... 10

INSTRUCTIONS FOR ORDERING PARTS ..... 10

# SPECIFICATIONS

**CAUTION: CSA certified for use with only No. 1-K kerosene fuel.**

Model	50KR	75KTR	125KTR	175KTR	210KTR
Burn Rate:	50,000 Btu/hr (14.7 kW)	75,000 Btu/hr (22 kW)	125,000 Btu/hr (37 kW)	175,000 Btu/hr (51 kW)	210,000 Btu/hr (61.5 kW)
Fuel Rate:	0.37 gal/hr (1.4 L/hr)	0.55 gal/hr (2.1 L/hr)	0.96 gal./hr (3.5 L/hr)	1.3 gal/hr (5.0 L/hr)	1.6 gal/hr (6.0 L/hr)
Electrical Input:	115V, 60Hz, 3.5a	115V, 60Hz, 4a	115V, 60Hz, 5.5a	115V, 60Hz, 5.5a	115V, 60Hz, 5.5a
Line Protection:	10 amps	10 amps	20 amps	20 amps	20 amps
Min. Operating Voltage:	110V	110V	110V	110V	110V
Pressure Setting:	3.5 psig (24 kPa)	4.2 psig (29 kPa)	5.5 psig (38 kPa)	5.8 psig (40 kPa)	8.5 psig (58.6 kPa)
Max. Outlet Temperature:	1450°F (787°C)	1450°F (787°C)	1450°F (787°C)	1450°F (787°C)	1450°F (787°C)
Fuel Tank Capacity:	4 gallons (15.1 L)	6 gallons (22.7 L)	8.45 gallons (32 L)	13.5 gallons (51 L)	13.5 gallons (51 L)
Ignition:	Direct Spark, Continuous	Direct Spark, Continuous	Direct Spark, Continuous	Direct Spark, Continuous	Direct Spark, Continuous
Spark Generator:	Igniter 13 kV, 10ma	Igniter 13 kV, 10ma	Igniter 13 kV, 10ma	Igniter 13 kV, 10ma	Igniter 13 kV, 10ma
Primary Safety Control:	Solid State Control	Solid State Control	Solid State Control	Solid State Control	Solid State Control
Certification:					

## OPERATING PRECAUTIONS

This is a kerosene, direct-fired, forced air heater. It's intended use is primarily temporary heating of buildings under construction, alteration or repair.

Direct-Fired means that all of the combustion products enter the heated space. Even though this heater operates very close to 100 percent combustion efficiency, it still produces small amounts of carbon monoxide. Carbon monoxide (called CO) is toxic. CO can build up in a heated space and failure to provide adequate ventilation could result in death. The symptoms of inadequate ventilation are:

- headache
- dizziness
- burning eyes and nose
- nausea
- dry mouth or sore throat

Be sure to follow advice about ventilation in the Safety Precautions section.

Forced Air means that a blower or fan pushes the air through the heater. Proper combustion depends upon this air flow; therefore, the heater must not be revised, modified or operated with parts removed or missing. Likewise, safety systems must not be circumvented or modified in order to operate the heater.

When the heater is to be operated in the presence of other people the user is responsible for properly acquainting those present with the safety precautions and instructions, and of the hazards involved.

## SAFETY PRECAUTIONS

1. Recommended for use with No.1-K kerosene fuel. Factory tested for use with No.2-K kerosene, No.1 or No.2 Diesel, No.1 or No.2 fuel oil or JP8 Jet A fuel and these fuels may be used as well. Never use gasoline, oil drained from crank cases, naphtha, paint thinners, alcohol or any other highly flammable fuels.
2. Check the heater thoroughly for damage. DO NOT operate a damaged heater.
3. DO NOT modify the heater or operate a heater which has been modified from its original condition.
4. For indoor use only. Not for use where exposed to weather.
5. Use in well ventilated areas, provide at least 2 sq. ft. (0.19 sq. m.) of opening near the floor and 2 sq. ft. (0.19 sq. m.) near the ceiling directly to outdoors. Increase air openings as marked for each additional heater.

6. Always keep combustibles, like paper and wood at least 8 ft. (2.4 m) from the heater outlet and 3 ft. (1.0 m) from the top, sides and inlet. Locate 10 ft. (3.0 m) from canvas or plastic coverings and secure them to prevent flapping movement.
7. Caution: Due to the high surface and exhaust temperatures, adults and children must observe clearances to avoid burns or clothing ignition. Do Not Touch. Keep children, clothing, and combustible away.
8. Install the heater such that it is not directly exposed to water spray, rain and / or water.
9. Never use in areas normally for habitation and /or where children may be present.
10. Operate only on a stable, level surface. (MH50KR & MH75KTR – See wood floor warning).
11. Do not use with duct work. Do not restrict inlet or exit.
12. Use only with electrical power specified. The electrical connection and grounding must comply with National Electrical Code – ANSI/NFPA 70 (USA) and CSA C22.1 Canadian Electrical Code, Part 1 (Canada).
13. Use only a properly grounded 3-prong receptacle or extension cord.
14. Do not move, handle, or service while hot or in operation.
15. Use only in accordance with local, state (provincial) or national requirements, ordinances and codes.

## OPERATING INSTRUCTIONS

### UNPACKING

1. Remove heater from carton.
2. Remove all protective material which may have been applied to the heater for shipment.
3. Check the heater for possible shipping damage. If any damage is found immediately contact the manufacturer at 800-251-0001.

**ASSEMBLY** (For 125,000, 175,000 and 210,000 BTU/hr models only, see figure 1, page 8.)

Wheels and handles are found in the shipping carton along with mounting hardware. The wheels, axle and mounting hardware are in a package. Tools required are a 5/16" nut driver, 3/8" open or adjustable wrench and standard pliers.

1. Assemble the wheels onto the wheel support as shown.
2. Install one of the cotter pins into the hole on one end of axle.

- Slide the large washer, then wheel onto the axle next to the cotter pin.
- Slide the spacer onto the axle next to the wheel.
- Slide the partially assembled axle through the wheel support frame.
- Slide the spacer onto the axle next to the wheel support.
- Slide the wheel then large washer onto the axle and hold in place with the remaining cotter pin.
- Install the caps over the larger washers to finish the wheel assembly.

### PREPARING FOR OPERATION

- Check the heater for possible shipping damage. If any is found, *immediately* contact the manufacturer at 800-251-0001.
- Follow all of the "Precautions".
- Fill the fuel tank with clean kerosene. In extremely cold weather, condensation may develop in the tank and it is recommended that a tablespoon of de-icer be added for each gallon (4 liters) of fuel in the tank. When filling the heater, use at least 2 gallons (8 liters) of fuel. Be sure heater is level and do not overfill. Use a funnel or can with a long fill spout.

### IMPORTANT: Before filling fuel tank the first time or after extended storage periods, drain the fuel tank of any moisture or condensation.

- Locate heater at a safe distance from combustible materials. Models MH50KR & MH75KTR are not suitable for use on wood floors or other combustible materials. When used, the heater should rest on suitable insulating material at least 1 inch thick and extending 3 ft. or more beyond the heater in all directions.

### HEATER START UP

- MH50KR:** Plug the heater into a grounded 115V, 60 Hz, 1 Ø outlet.

**MH75KTR, MH125KTR, MH175KTR & MH210KTR:** Turn thermostat to lowest setting, make sure "On/Off" switch is "Off". Plug the heater into a grounded 115V, 60 Hz, 1 Ø outlet. Turn thermostat to highest setting. Start heater by pushing toggle switch to "On" position (light signifies switch is in "ON" position). Adjust thermostat to desired setting. Heater will cycle on/off as heat is required.

EXTENSION CORD REQUIREMENTS: Up to 100' (30.5m) use 16 avg. conductor. 101' - 200' (30.5 - 61.0m) use 14 avg. conductor.

#### For all models:

- In cold weather (below 10° F), starting may be improved by holding a finger over the vent hole of the pump adjustment screw cap until the heater starts.
- This unit is equipped with an interrupt circuit. The reset is integrated into the "On/Off" switch. If the unit does not start, toggle the switch to "Off", wait 5 min. and toggle the switch to "On".

### HEATER SHUT DOWN

- MH50KR:** Unplug heater from power source.  
**MH75KTR, MH125KTR, MH175KTR & MH210KTR:** Push "On/Off" switch to "Off" position. For extended shutdown, unplug heater from power source.

### RESTART AFTER SAFETY SHUTDOWN (MH50KR, MH75KTR, MH125KTR, MH175KTR & MH210KTR) See page 7

MH50KR - Unplug unit. Wait 5 minutes. Plug back in.  
MH75KTR, MH125KTR, MH175KTR & MH210KTR - Toggle switch to "OFF" position, wait 5 minutes. Restart.

## MAINTENANCE AND STORAGE

**WARNING.** To prevent personal injury, unplug the heater from the wall outlet before servicing.

For maximum efficiency and trouble-free service, make the following periodic maintenance, cleaning and inspections.

### ADJUSTING PUMP PRESSURE

Due to varying fuel viscosities and normal component wear the pump pressure on this heater may need to be adjusted.

#### ADJUSTMENT PROCEDURE:

- Fill fuel tank.
- Start heater.
- Locate the fuel pressure adjustment screw (ref. #29) in the exploded parts drawing. The pressure adjustment screw is located at the rear of the heater, in the air filter housing cover (approx. 2" from the left side and 1" from the top). Remove and discard the rubber cap (ref. #4) to expose the screw.
- Using a flat bladed screw driver, turn the pump pressure adjustment screw clockwise to increase pump pressure and/or counter-clockwise to decrease pump pressure. Base pump pressures can be found in the specifications chart on page 3 of the "Operating Instructions and Owners' Manual".
- For best results, the nose cone in the combustion chamber should be cherry red with no dark spots and the flame should not extend beyond the nose cone.

#### IMPROPER PRESSURE ADJUSTMENT

**Problem:** Heater does not have a strong consistent flame. Heater smokes and spits raw fuel. Nose cone does not get cherry red.

**Adjustment:** Pump pressure is too low.  
Turn adjustment screw clockwise to increase pump pressure.

**Problem:** Flame extends beyond the end of the heater.

**Adjustment:** Pump pressure is too high.  
Turn adjustment screw counter clockwise to decrease pump pressure.

## DAILY SCHEDULE

- GENERAL.** Make general visual inspection of heater for loose or damaged parts. Check nuts and bolts to insure against looseness caused by vibration or rough handling. Damaged parts should be repaired or replaced before using heater again. Check heater operation to be sure it is operating normally (See "Servicing" section for description of normal operation).
- FILTERS.** Dirty air or fuel filters will cause an imbalance in the air-fuel mixture. The best indication that this condition exists is an increase in odors or difficulty getting your heater to ignite. This heater should never be operated without the filters in place. If required, clean filters as described under "500 Hours" and "Annual Schedules".

## **500 HOUR SCHEDULE**

1. **AIR INTAKE FILTER.** Remove and wash the filter element with a mild detergent, dry thoroughly and replace. Do not oil the filter element. If your heater is used where there is considerable dust or dirt, clean as often as necessary (approximately every 50 hrs.).
2. **REMOVE DUST.** Clean heater twice a season (more often under dusty conditions). Remove accumulated dust from the transformer, burner, motor and fan blades with compressed air. Wipe area clean with a clean dry cloth. Inspect area to insure all foreign materials are removed, especially around the burner and combustion area.
3. **CAD CELL.** Clean the glass portion of the cad cell with a soft dry cloth.
4. **NOZZLE.** Accumulation of dirt from fuel and carbon from the compressor vanes will eventually fill up the passages in the nozzle, resulting in reduction of fuel and air flow. Pressure will gradually increase giving improper fuel-air mixture and excess odor and smoke. If this occurs, replace the fuel nozzle.
5. **FUEL TANK.** Clean twice a season (during frequently used periods, clean twice a month). Drain and flush the fuel tank with clean fuel oil.

## **ANNUAL SCHEDULE**

1. **AIR OUTPUT FILTER.** Remove the air output filter and tap the contaminated side gently on a solid object to remove contaminants. Compressed air or liquids should not be used to clean this filter. Reinstall cleaned filter in filter body in the same position as it was when removed. If the filter appears extremely dirty, replace it with a new filter of the same type. When replacing the filter cover, be sure the gasket is firmly in place and the screws in the filter cover are tight to prevent air leaks.
2. **FUEL FILTER.** Remove the fuel filter from fuel line and direct compressed air through the filter in the opposite direction of fuel flow. Safety glasses should be worn when using compressed air.
3. **AIR AND FUEL LINES.** If the air or fuel lines are removed during cleaning, be sure all connections are tight before operating unit.

## **STORAGE**

Store the heater in a dry location free from fumes or dust.

At the end of each heating season, clean the heater as described in the MAINTENANCE section. Drain and flush the fuel tank with clean fuel. The manufacturer recommends completely filling the tank with fuel for extended storage to minimize condensation inside the tank.

## **SERVICING**

A hazardous condition may result if a heater is used that has been modified or is not functioning properly.

When the heater is working normally:

- \* The flame is contained within the heater.
- \* The flame is essentially yellow.
- \* There is no strong disagreeable odor, eye burning or other physical discomfort.
- \* There is no smoke or soot internal or external to the heater.
- \* There are no unplanned or unexplained shut downs of the heater.

## DIAGNOSTIC SAFETY SHUTDOWN AND TROUBLE SHOOTING

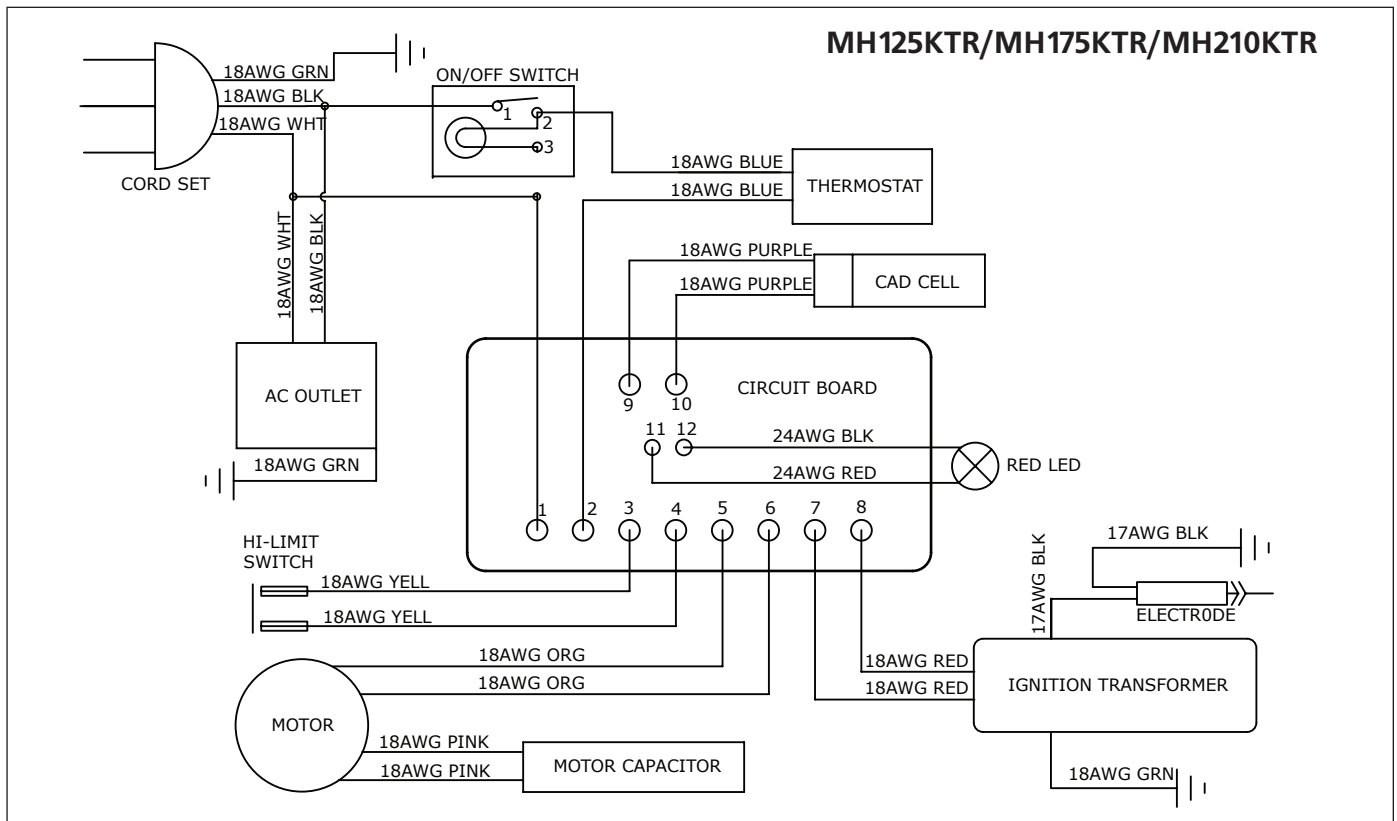
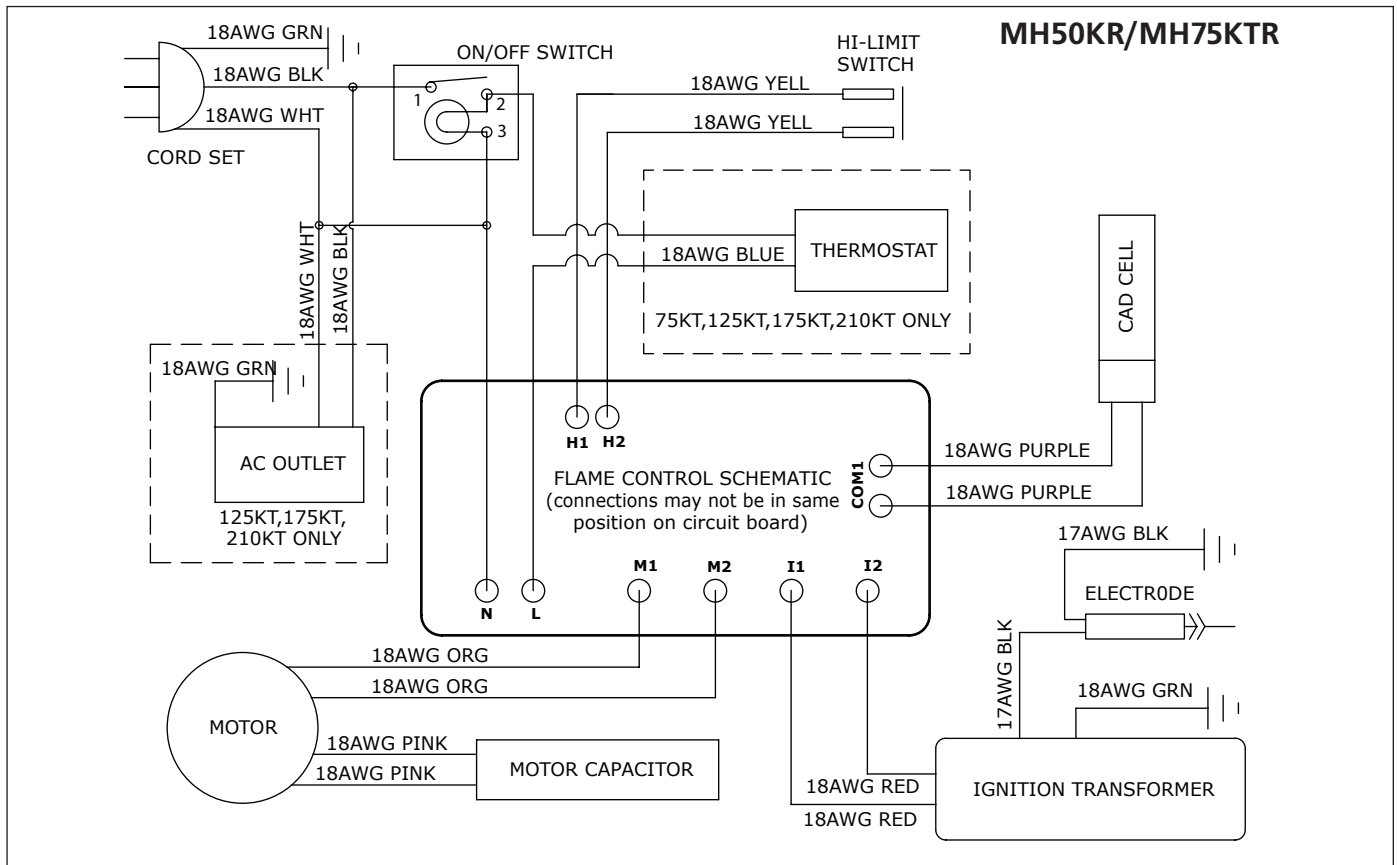
Model **MH125KTR**, **MH175KTR** and **MH210KTR** heaters are equipped with a diagnostic control board and flashing LED error indicator. This flashing LED signals indicate unit operation status. See the following diagnostic guide for unit status and corrective action if necessary.

LED	UNIT OPERATION	TROUBLE SHOOTING
Steady ON	System Check	System performing self test. No action required.
Steady OFF	Operation OK	No action required.
2 Flashes	No flame detected	<p>Heater fails to start during the first 30 sec. of operation.</p> <ol style="list-style-type: none"> <li>1. Check wiring to motor (per wiring schematic in manual).</li> <li>2. Make sure that the pressure gauge is in place and not damaged.</li> <li>3. Adjust pressure for proper heater operation per manual.</li> <li>4. With heater disconnected from AC source, rotate fan clockwise to verify motor is free.</li> <li>5. Remove air filter housing from motor and inspect the pump rotor for damage. If damaged, replace rotor assembly.</li> <li>6. If wiring is correct, pump rotor is okay, and motor is not rotating freely, replace motor or power-pack assembly.</li> <li>7. If problem persists, replace oil flame control assembly.</li> <li>8. Check for spark arching from the electrode assembly (ref. 50), to the combustion cylinder (ref. 39).</li> <li>9. Check the cad cell (ref. 38) for continuity.</li> </ol>
3 Flashes	High limit switch failure	<ol style="list-style-type: none"> <li>1. Make sure heater is cooled off, press reset switch and retry.</li> </ol>
4 Flashes	CAD Cell Failure	<ol style="list-style-type: none"> <li>1. Check wiring to cad cell (per wiring schematic in manual).</li> <li>2. Clean cad cell photo cell. <ul style="list-style-type: none"> <li>• Slide cad cell out of cad cell holder.</li> <li>• Push the photo cell out of the black rubber cad cell housing by pushing on the 2 purple wires.</li> <li>• Clean the photo cell with a soft cloth and rubbing alcohol.</li> <li>• Pull the photo cell back into the cad cell housing and reinstall into holder.</li> <li>• Test heater.</li> </ul> </li> <li>3. If the heater still does not operate, replace cad cell.</li> <li>4. Replace oil flame control assembly.</li> </ol>
Power Light	Power to control	<ol style="list-style-type: none"> <li>1. Sensing power. No action required.</li> </ol>

Model **MH50KR** and **MH75KTR** heaters are NOT equipped with a diagnostic control board or flashing LED error indicator. See the following troubleshooting guide for unit status and corrective action if necessary.

SYMPTOM	TROUBLE SHOOTING
High limit switch Open Circuit	<ol style="list-style-type: none"> <li>1) Make sure heater is cooled off, toggle switch to "OFF" position, wait 5 minutes and retry.</li> </ol>
Sparks, calling for flame, but no or slow motor operation	<ol style="list-style-type: none"> <li>1) Check wiring to motor (per wiring schematic in manual).</li> <li>2) Make sure that the pressure gauge is in place and not damaged.</li> <li>3) Adjust pressure for proper heater operation per manual.</li> <li>4) With heater disconnected from AC source, rotate fan clockwise to verify motor is free.</li> <li>5) Remove air filter housing from motor and inspect the pump rotor for damage. If damaged, replace rotor assembly.</li> <li>6) If wiring is correct, pump rotor is okay, and motor is not rotating freely, replace motor or power-pack assembly.</li> <li>7) If problem persists, replace oil flame control assembly.</li> <li>8) Check for spark arching from the electrode assembly, to the combustion cylinder.</li> <li>9) Check the cad cell for continuity.</li> </ol>
No Spark	<ol style="list-style-type: none"> <li>1) Check length and gage of extension cord for proper amp. draw. (Check requirements on page 4.)</li> <li>2) Check wiring to igniter (per wiring schematic in manual).</li> <li>3) Check gap between electrode probes (2.3 - 3 mm).</li> <li>4) Still no spark, replace igniter assembly.</li> <li>5) Replace oil flame control assembly.</li> </ol>
Abnormal Motor Operation - Motor overheats or Stops	<ol style="list-style-type: none"> <li>1) Motor speed too low (Motor should operate at 3450rpm) - Replace motor.</li> <li>2) With heater disconnected from AC source, rotate fan clockwise to verify motor is free.</li> <li>3) Remove air filter housing from motor and inspect the pump rotor for damage. If damaged, replace rotor assembly.</li> <li>4) If wiring is correct, pump rotor is okay, and motor is not rotating freely, replace motor or power-pack assembly.</li> <li>5) Replace oil flame control assembly.</li> </ol>
Unable to Detect Flame	<ol style="list-style-type: none"> <li>1) Check wiring to cad cell (per wiring schematic in manual).</li> <li>2) Clean cad cell photo cell. <ol style="list-style-type: none"> <li>a) Slide cad cell out of cad cell holder.</li> <li>b) Push the photo cell out of the black rubber cad cell housing by pushing on the 2 purple wires.</li> <li>c) Clean the photo cell with a soft cloth and rubbing alcohol.</li> <li>d) Pull the photo cell back into the cad cell housing and reinstall into holder.</li> <li>e) Test heater.</li> </ol> </li> <li>3) If the heater still does not operate, replace cad cell.</li> <li>4) Replace oil flame control assembly.</li> </ol>
Flame Control Failure	<ol style="list-style-type: none"> <li>1) Check wiring in heater (per wiring schematic in manual).</li> <li>2) Replace oil flame control assembly.</li> </ol>

# WIRING DIAGRAM



The parts lists and wiring diagram show the heater as it was constructed. Do not use a heater which is different from that shown. Heater performance is effected by air pressure setting. If there is any uncertainty about the air pressure setting,

have it checked.

A heater which is *not* working right must be repaired, but *only* by a trained, experienced service person.

# PARTS LIST

Ref.	Item #	Item #	Item #	Item #	Description	Ref.	Item #	Item #	Item #	Item #	Description	
MH50KR MH75KTR MH125KTR MH175KTR MH210KTR						MH50KR MH75KTR MH125KTR MH175KTR MH210KTR						
1	21036	21036	21036	21036	21036	29	21866	21866	21867	21867	21867	Flame Control Ass'y
2	21832	21833	21915	21834	21834	30	21816	21816	21816	21816	21816	Flame Control Bracket
3	****	21883	21884	21885	21886	31	26954	24955	26954	26954	26954	Cad Cell Flame Sensor
4	21807	21808	21809	21809	21809	32	21882	21868	21869	21870	21871	Comb.Chamber Cyl.Ass'y
5	21686	24343	24346	24346	24346	33	26909	26909	26909	26909	26909	Fuel Cap
6	21835	21836	21837	21837	21837	34	26910	26910	26910	26910	26910	Fuel Cap Gasket
7	24011	24011	24011	24011	24011	35	27339	21817	21818	21818	21818	Motor
8	28779	28779	28792	28780	28780	36	27790	27790	28739	28739	28739	Nozzle Adapter
9	23449	23449	23449	23449	23449	37	27421	28740	26885	26866	22108	Fan
10	21839	21840	21841	21842	21843	38	22142	22142	22142	22142	22142	Igniter Assembly
11	21844	21846	21848	21850	21852	39	27416	28741	28742	28743	22109	Fuel Air Aspir. Nozzle
12	21854	21856	21858	21860	21862	40	26223	26223	26223	26223	26223	Strain Relief Bushing
13	21864	21864	21865	21865	21865	41	21819	21819	21819	21819	21819	Electrode Assembly
14	****	28788	28735	28735	28735	42	21820	21820	21820	21820	21820	Electrode Insulated Cover
15	23725	23725	24345	24345	24345	43	21821	21821	21821	21821	21821	Hose Barb Adapter
16	26225	26225	26225	26225	26225	44	****	21822	21822	21822	21822	Thermostat Knob
17	21794	21794	26901	26902	22105	45	****	21734	21734	21734	21734	Thermostat Assembly
18	F226831	F226831	F226831	F226831	F226831	46	28785	28785	28785	28785	28785	ON/OFF Switch
						47	****	28791	28778	28778	28778	Fuel Gauge
19	****	26898	26898	26898	26898	48	21830	21888	21826	21826	21826	Control Panel
20	****	22104	22104	22104	22104	49	21892	21892	21893	21893	21893	Control Panel Back
21	26833	26833	26833	26833	26833	50	28786	28786	28786	28786	28786	Pressure Gauge, Round
22	21810	21810	21810	21810	21810	51	27094	27094	****	****	****	Clip Handle Mtg.
23	21812	21812	21812	21812	21812	52	27095	27095	****	****	****	Handle
24	****	****	22257	22257	22257	53	21813	21813	21813	21813	21813	Gasket, Outlet Filter
25	F221887	F221887	F221887	F221887	F221887	*	24171	24171	****	****	****	Nozzle mtg. plate
26	21814	21814	21814	21814	21814	*			26227	26227	26227	Snap Bushing
27	21815	21815	21815	21815	21815	*	27429	27429	27429	27429	27429	Nozzle Ext. Retaining Ring
28	F266842	F266842	F266842	F266842	F266842	*	28745	28745	****	****	****	Fuel Line Bushing
						*	****	22146	22146	22146	22146	Bracket Thermostat Mtg.
						*	****	26070	26070	26070	26070	Clamp Loop
						*	Not shown in the drawing					

# PARTS LIST

Ref.	Item #	Item #	Item #	Description
MH125KTR MH175KTR MH210KTR				
1	22169	22169	22169	Wheel Assembly, 10"
2	22172	22172	22172	Upper Handle w/Spring Clips
*	22173	22173	22173	Lower Handle, Right
3	22174	22174	22174	Lower Handle, Left
*	22176	22176	22176	Leg Support, Right
4	22177	22177	22177	Leg Support, Left
5	22178	22178	22178	Support Leg
6	22179	22179	22179	Front Handle w/Axle
7	28749	28749	28749	Large Retainer Washer
8	28750	28750	28750	Cotter Pin
9	28751	28751	28751	Hub Cap
10	28754	28754	28754	Extension Cord Caddy
11	21897	21897	21897	Wheel Spacer
*	28787	28787	28787	Hardware Package

\* Not shown in drawing

Handle and wheel assembly for MH125KTR, MH175KTR & MH210KTR only.

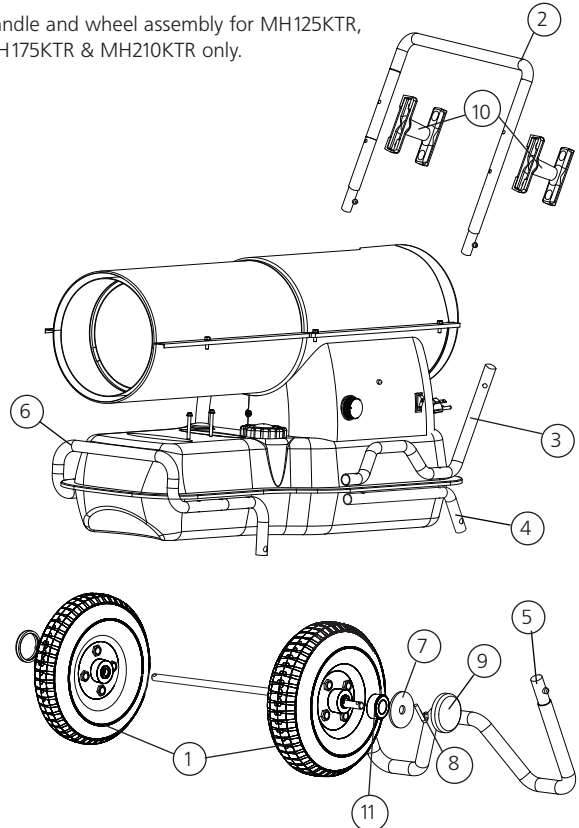
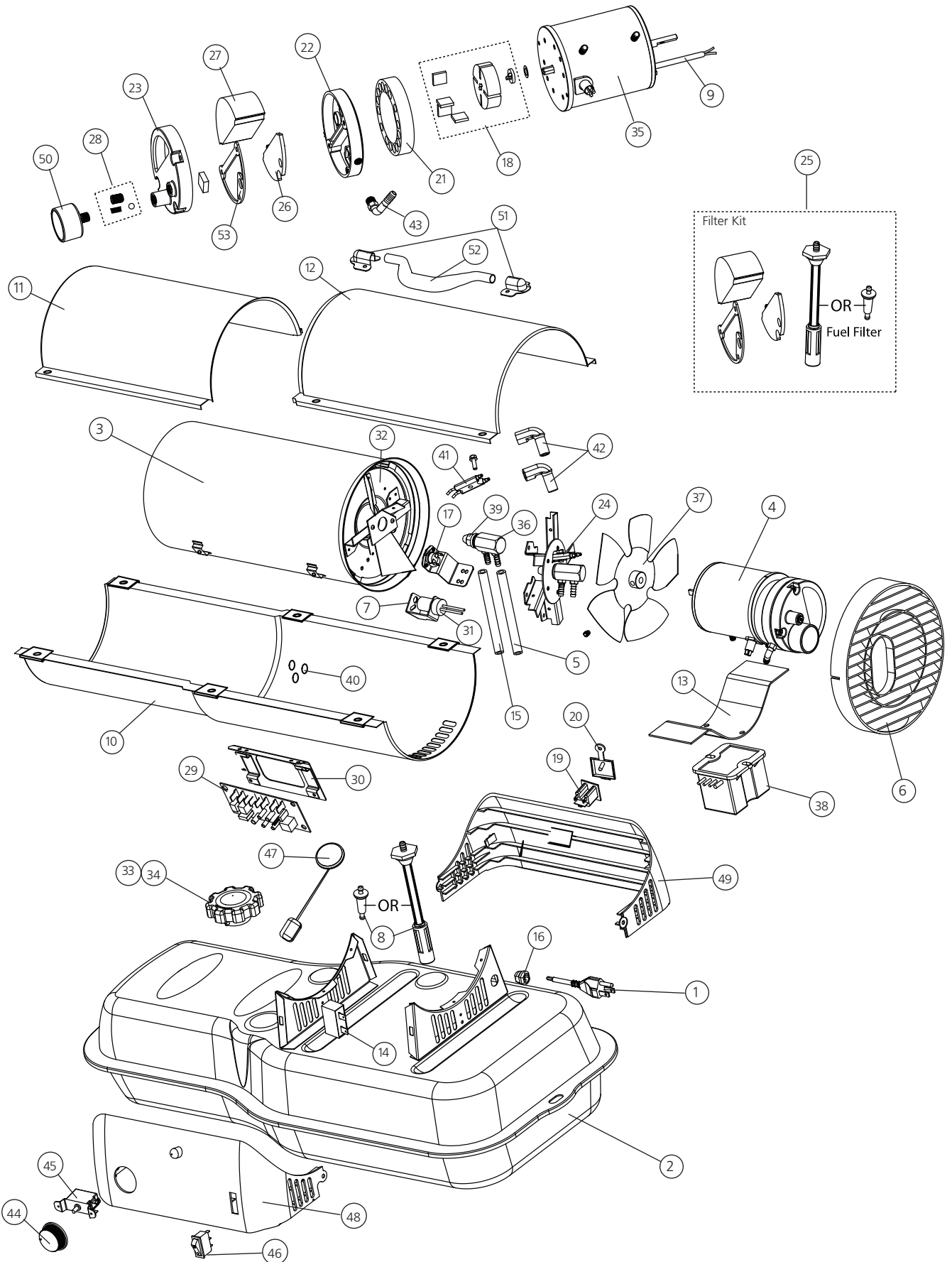


Figure 1.



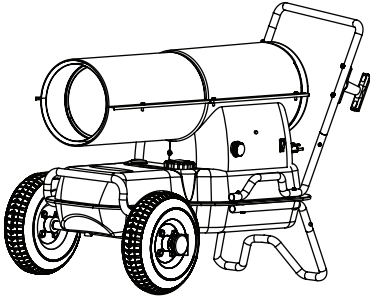
Kerosene Forced Air Heater • Model MH50KR, MH75KTR, MH125KTR, MH175KTR, MH210KTR





# OPERATING INSTRUCTIONS AND OWNER'S MANUAL

Model #  
MH50KR, MH75KTR,  
MH125KTR, MH175KTR,  
MH210KTR



## WARNING:

USE ONLY MANUFACTURER'S REPLACEMENT PARTS. USE OF ANY OTHER PARTS COULD CAUSE INJURY OR DEATH. REPLACEMENT PARTS ARE ONLY AVAILABLE DIRECT FROM THE FACTORY AND MUST BE INSTALLED BY A QUALIFIED SERVICE AGENCY.

## PARTS ORDERING INFORMATION:

**PURCHASING:** Accessories may be purchased at any Mr. Heater local dealer or direct from the factory

### FOR INFORMATION REGARDING SERVICE

Please call Toll-Free 800-251-0001  
[www.mrheater.com](http://www.mrheater.com)

Our office hours are 8:30 AM – 5:00 PM, EST, Monday through Friday.

Please include the model number, date of purchase, and description of problem in all communication.

## LIMITED WARRANTY

Mr. Heater, Inc. warrants its heaters and accessories to be free from defects in material and workmanship for a period of 1 year from date of purchase. Mr. Heater, Inc. will repair or replace this product free of charge if it has been proven to be defective within the 1-year period, and is returned at customer expense with proof of purchase to Mr. Heater, Inc. within the warranty period.

Mr. Heater, Inc. reserves the right to make changes at any time, without notice or obligation, in colors, specifications, accessories, materials and models.

MR. HEATER, INC., 4560 W. 160TH ST., CLEVELAND, OHIO 44135 • 800-251-0001  
Mr. Heater is a registered trademarks of  
Enerco Technical Products, Inc.  
© 2009, Enerco/Mr. Heater. All rights reserved



UL-733, &CSA/CAN3-B140.9.3

UL-733, et CSA/CAN3-B140.9.3



MR. HEATER, INC., 4560 W. 160TH ST., CLEVELAND, OHIO 44135 USA • (216) 916-3000  
 Mr. Heater est une marque déposée d'Enerco Technical Products, Inc.  
 © Enerco/Mr. Heater, 2009. Tous droits réservés.

Mr. Heater Inc. se réserve le droit de modifier en tout temps, sans préavis ni obligation, les couleurs, spécifications, accessoires, matériaux et modèles.

Mr. Heater, Inc. garantit ses appareils de chauffage et ses accessoires contre les défauts de matériel et de main-d'œuvre pour une période de un an à partir de la date d'achat. Mr. Heater Inc. réparera ou remplacera ce produit sans frais s'il est démontré qu'il est devenu défectueux pendant la période de garantie et qu'il est retourné à Mr. Heater Inc. aux frais de l'acheteur avec une preuve d'achat, durant la période de garantie.

**GARANTIE LIMITÉE**

Nos heures d'ouverture sont de 8 h 30 à 17 h HNE, du lundi au vendredi.  
 Veuillez indiquer le numéro du modèle, la date d'achat et la description du problème dans toutes vos communications avec nous.

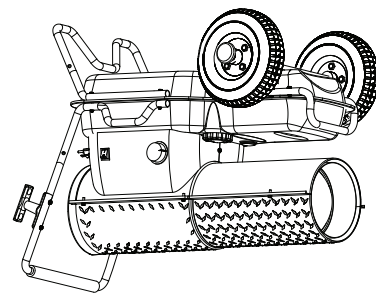
**POUR OBTENIR DES INFORMATIONS SUR LE SERVICE**

Appeler sans frais au 1 800 251-0001  
 www.mrheater.com

**INFORMATIONS SUR LA COMMANDE DE PIÈCES :**

**ACHAT :** On peut se procurer des accessoires auprès de tous les détaillants locaux Mr. Heater ou directement du fabricant.

**AVERTISSEMENT :**  
 N'UTILISEZ QUE LES PIÈCES DE REMPLACEMENT DU FABRICANT. L'UTILISATION D'AUTRES PIÈCES RISQUE DE CAUSER DES BLESSURES ET LA MORT. LES PIÈCES DE REMPLACEMENT NE SONT OFFERTES QUE PAR LE FABRICANT ET DOIVENT ÊTRE INSTALLÉES PAR UNE ENTREPRISE SPÉCIALISÉE.



**GUIDE D'UTILISATION  
 ET INSTRUCTIONS DE  
 FONCTIONNEMENT**



Modèle n°	MH50KR, MH75KTR, MH125KTR, MH175KTR, MH210KTR
-----------	---

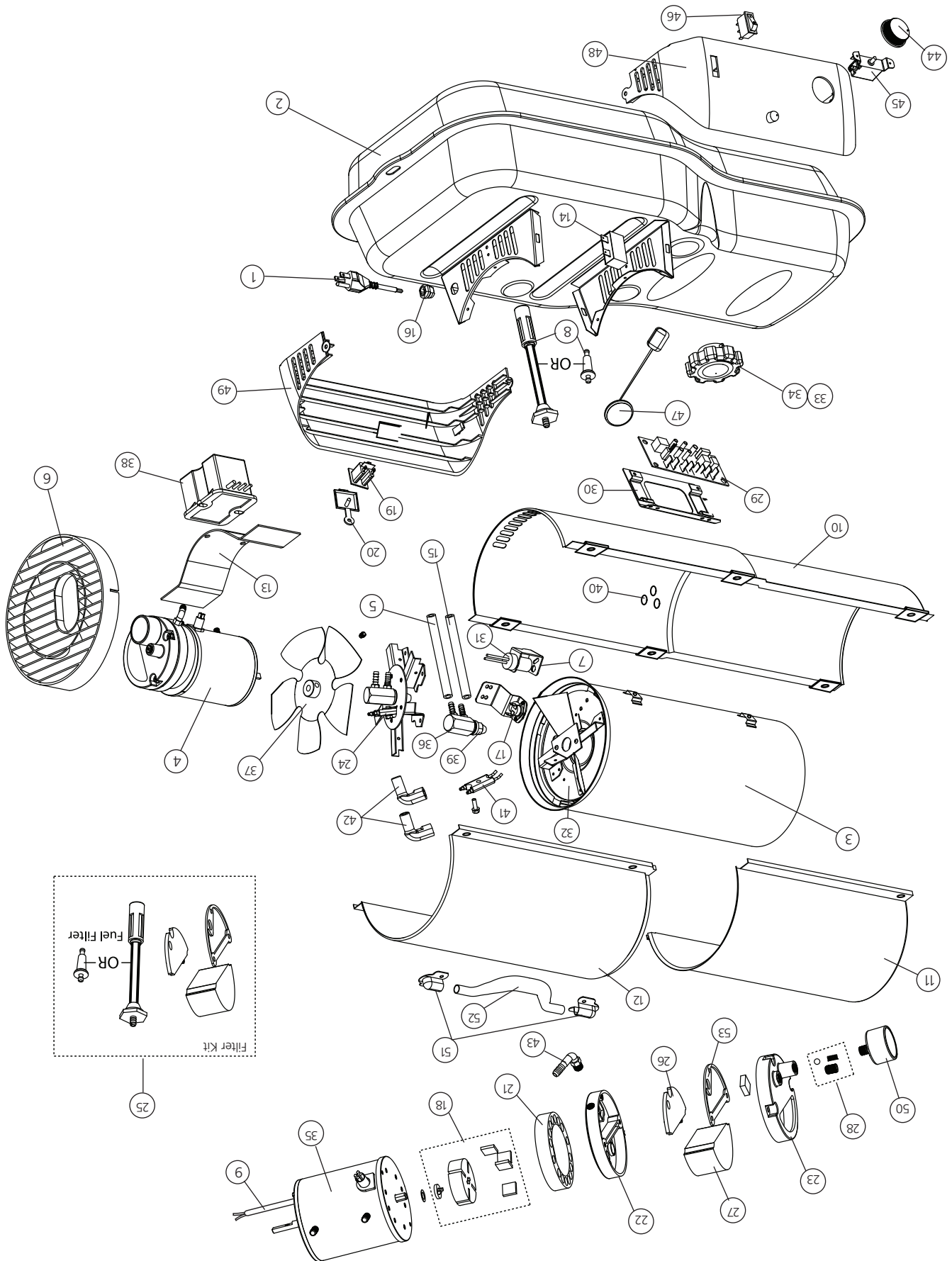


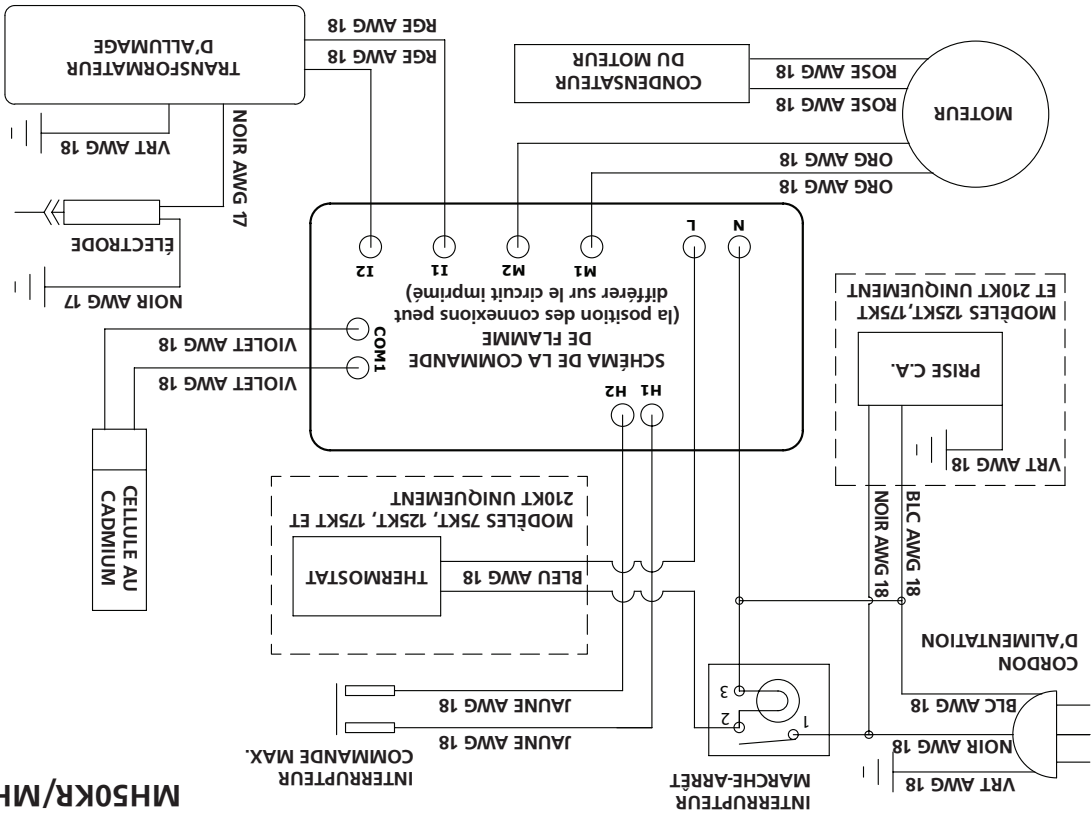
Figure 1.

LISTE DES PIÈCES		Réf. N° de pièce N° de pièce Description	
1	22169	22169	Roues de 10 po
2	22172	22172	Poignée supérieure
*	22173	22173	Poignée inférieure, droite
3	22174	22174	Poignée inférieure, gauche
*	22176	22176	Support de patte, droit
4	22177	22177	Support de patte, gauche
5	22178	22178	Béquille
6	22179	22179	Poignée avant avec essieu
7	28749	28749	Grande rondelle
8	28750	28750	Goupille fendue
9	28751	28751	Chapeau de moyeu
10	28754	28754	Support de rallonge électr.
11	21897	21897	Séparateur
*	28787	28787	Ensemble de quincaillerie
* Article non présenté dans le schéma.			
MH125KTR MH175KTR MH210KTR			
LISTE DES PIÈCES		Réf. N° de pièce N° de pièce Description	
1	21036	21036	Cordon d'alimentation
2	21832	21832	Réservoir de combustible
3	21807	21807	Boîtier d'alimentation
4	21809	21809	Boîtier thermique
5	21886	21886	Canalisations du combustible
6	21835	21837	Grille
7	24011	24011	Support de cellule au cadmium
8	28779	28780	Filtre à combustible
9	23449	23449	Gaine du cordon moteur
10	21839	21843	Coque inférieure
11	21844	21852	Coque supérieure, brûleur
12	21854	21860	Coque supérieure, inspection
13	21864	21865	Support de moteur
14	28788	28735	Condensateur de démarrage
15	23725	24345	Canalisation d'air
16	26225	26225	Bague pression
17	21794	26901	Commande à maximum
18	F226831	F226831	Ensemble de rotor
			- Rotor de pompe à air avec ailettes
			- Record de nylon pour pompe à air
19	26898	26898	Réceptacle, 110 V
20	22104	22104	Couvercle de réceptacle
21	26833	26833	Cylindre de pompe à air
22	21810	21810	Boîtier de sortie
23	21812	21812	Boîtier d'admission
24	22257	22257	Tête de brûleur
25	F221887	F221887	Ensemble de rotor
26	21814	21814	Filtre de sortie
27	21815	21815	Filtre d'entrée
28	F266842	F266842	Ensemble de réglage de pompe
			- Bouton en nylon
			- Capuchon de vis de pression
			- Bille de réglage
29	21866	21866	Commande de flamme

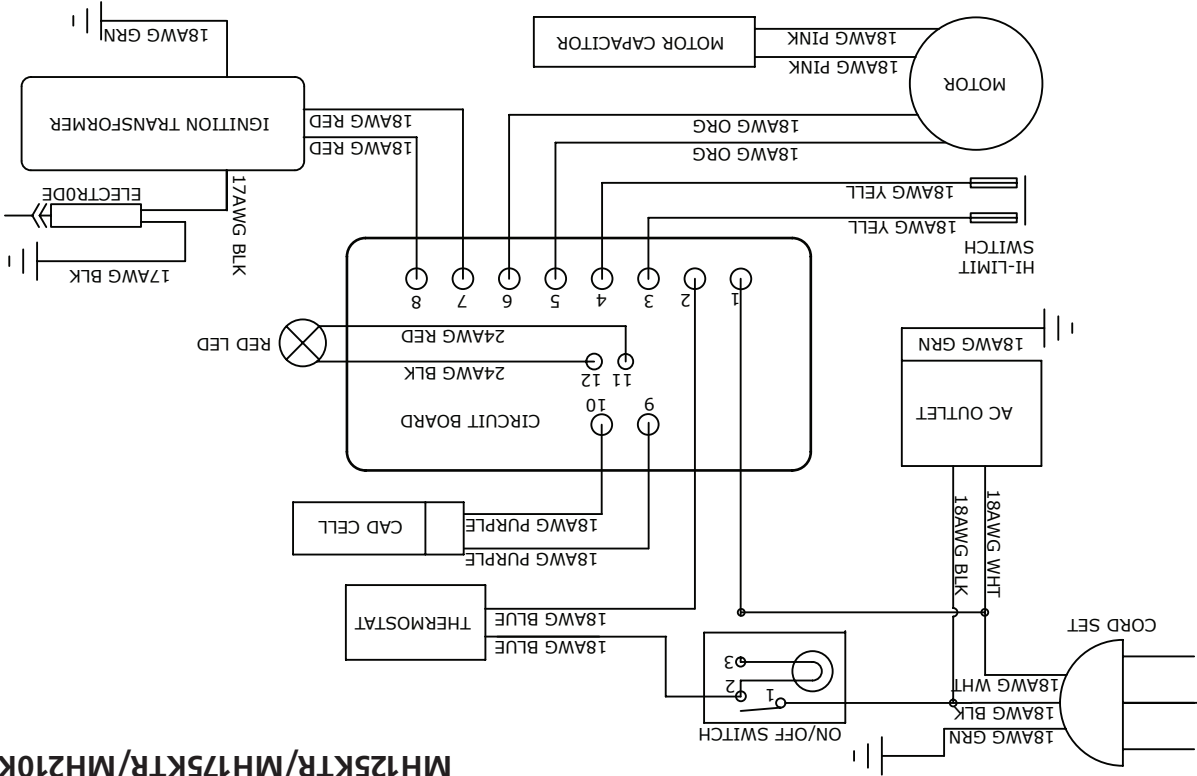
LISTE DES PIÈCES		Réf. N° de pièce N° de pièce Description	
30	21816	21816	Support de commande de flamme
31	26954	26954	Capteur de flamme
32	21882	21882	Cyl. chambre combustion
33	26909	26909	Bouchon de réservoir
34	26910	26910	Joint de bouchon
35	27339	21818	Moteur
36	27790	28739	Adaptateur gicleur
37	27421	26885	Ventilateur
38	22142	22142	Allumeur
39	27416	28742	Embout entrée d'air
40	26223	26223	Bague red. tension
41	21819	21819	Electrode
42	21820	21820	Couv. isolé d'électrode
43	21821	21821	Adaptateur à barbeles
44	21823	21823	Bouton thermostat
45	21734	21734	Thermostat
46	21872	21872	Interupteur
47	28778	28778	Jauge à combustible
48	21831	21827	Panneau de commande
49	21892	21893	Panneau de comm., arrière
50	28786	28786	Manomètre
51	27094	27094	Serre-câble poignée
52	27095	27095	Poignée
53	21813	21813	Joint de filtre de sortie
*	24171	24171	Plaque de gicleur
*	26227	26227	Bague pression
*	27429	27429	Bague de retenue ext.
*	28745	28745	Bague filtre combustible
*	22146	22146	Support de thermostat
*	26070	26070	Boucle éther
Pièces non illustrées dans le schéma.			
MH50KR MH75KTR MH125KTR MH175KTR MH210KTR			
LISTE DES PIÈCES		Réf. N° de pièce N° de pièce Description	
1	21036	21036	Cordon d'alimentation
2	21832	21832	Réservoir de combustible
3	21807	21807	Boîtier d'alimentation
4	21809	21809	Boîtier thermique
5	21886	21886	Canalisations du combustible
6	21835	21837	Grille
7	24011	24011	Support de cellule au cadmium
8	28779	28780	Filtre à combustible
9	23449	23449	Gaine du cordon moteur
10	21839	21843	Coque inférieure
11	21844	21852	Coque supérieure, brûleur
12	21854	21860	Coque supérieure, inspection
13	21864	21865	Support de moteur
14	28788	28735	Condensateur de démarrage
15	23725	24345	Canalisation d'air
16	26225	26225	Bague pression
17	21794	26901	Commande à maximum
18	F226831	F226831	Ensemble de rotor
			- Rotor de pompe à air avec ailettes
			- Record de nylon pour pompe à air
19	26898	26898	Réceptacle, 110 V
20	22104	22104	Couvercle de réceptacle
21	26833	26833	Cylindre de pompe à air
22	21810	21810	Boîtier de sortie
23	21812	21812	Boîtier d'admission
24	22257	22257	Tête de brûleur
25	F221887	F221887	Ensemble de rotor
26	21814	21814	Filtre de sortie
27	21815	21815	Filtre d'entrée
28	F266842	F266842	Ensemble de réglage de pompe
			- Bouton en nylon
			- Capuchon de vis de pression
			- Bille de réglage
29	21866	21866	Commande de flamme

# SCHEMA DE CÂBLAGE

MH50KR/MH75KTR



MH125KTR/MH175KTR/MH210KTR



La liste des pièces et le schéma de câblage présentent l'appareil de chauffage qui est illustré. Le rendement de l'appareil de chauffage dépend du réglage de la pression d'air. Si vous avez un doute au sujet de la pression d'air, faites-la vérifier.

Si l'appareil de chauffage ne fonctionne pas correctement, il doit être réparé *uniquement* par un technicien qualifié.

## DIAGNOSTIC ET DÉPANNAGE APRÈS UN ARRÊT D'URGENCE

Ces instructions s'appliquent aux modèles MH125KTR, MH175KTR et MH210KTR. Utilisez le guide de dépannage suivant pour diagnostiquer et corriger les problèmes.

VOYANT	CAUSE	SOLUTION
1 clignotement	Verrouillage du système	1) Assurez-vous que l'appareil est refroidi, appuyez sur le bouton de réinitialisation et essayez de nouveau. (Circuit ouvert du contacteur de commande maximale)
2 clignotements	Verrouillage du système	1) Vérifiez le câblage vers le moteur (selon le schéma de câblage du présent guide). 2) Assurez-vous que le bouton du manomètre est bien en place et qu'il n'est pas endommagé. 3) Réglez la pression pour assurer le bon fonctionnement de l'appareil de chauffage selon les spécifications du présent guide. 4) Débranchez l'appareil de la source d'alimentation, tournez le ventilateur dans le sens horaire pour vous assurer que le moteur ne fonctionne pas ou ne fonctionne qu'à très bas régime) pour vous assurer que le moteur tourne librement. 5) Retirez le filtre à air du moteur et vérifiez si le rotor de la pompe présente des dommages. Le cas échéant, remplacez le rotor. 6) Si le câblage est adéquat, que le rotor est en bon état et que le moteur ne tourne pas librement, remplacez le moteur ou le boîtier d'alimentation. 7) Si le problème persiste, remplacez l'ensemble commande de flamme. 8) Vérifiez la formation d'arc de l'électrode depuis l'électrode (réf. 50) jusqu'au cylindre de combustion (réf. 39). 9) Vérifiez la continuité de la cellule au cadmium (réf. 38). 10) Assurez-vous que la longueur et le calibre de la rallonge correspondent au courant d'alimentation.
3 clignotements	Verrouillage du système (aucune étincelle)	1) Vérifiez le câblage vers le moteur (selon le schéma de câblage du présent guide). 2) Vérifiez l'écart entre les pointes d'électrode (2,3 à 3 mm). 3) Toujours aucune étincelle; remplacez l'allumeur. 4) Remplacez l'ensemble commande de flamme.
4 clignotements	Verrouillage du système (fonctionnement anormal du moteur - Le moteur surchauffe ou s'arrête)	1) Régime moteur réduit (le moteur doit tourner à 450 tr/min - Remplacez le moteur. 2) Débranchez l'appareil de la source d'alimentation, puis tournez le ventilateur dans le sens horaire pour vous assurer que le moteur tourne librement. 3) Retirez le filtre à air du moteur et assurez-vous que le rotor de la pompe n'est pas endommagé. Le cas échéant, remplacez le rotor. 4) Si le câblage est adéquat, que le rotor est en bon état et que le moteur ne tourne pas librement, remplacez le moteur ou le boîtier d'alimentation. 5) Remplacez l'ensemble commande de flamme.
5 clignotements	Verrouillage du système (erreur liée au bouton de réinitialisation)	1) Vérifiez le câblage du bouton de réinitialisation. 2) Remplacez le bouton de réinitialisation. 3) Remplacez l'ensemble commande de flamme.
6 clignotements	Verrouillage du système (impossible de détecter une flamme)	1) Vérifiez le câblage vers la cellule au cadmium (selon le schéma de câblage du présent guide). 2) Nettoyez l'élément photoélectrique de la cellule au cadmium. 3) Dégagez la cellule au cadmium de son support. 4) Dégagez l'élément photoélectrique du boîtier de la cellule en poussant sur les fils bien et blanc. 5) Nettoyez l'élément photoélectrique avec un chiffon doux et de l'alcool à friction. 6) Remettez l'élément photoélectrique dans le boîtier de la cellule au cadmium, puis réinstallez le support. 7) Vérifiez le fonctionnement de l'appareil de chauffage. 8) Si l'appareil ne fonctionne toujours pas, remplacez la cellule au cadmium. 4) Remplacez l'ensemble commande de flamme.
Allumage en permanence	Détailance de la commande de flamme	1) Vérifiez le câblage de l'appareil de chauffage (selon le schéma de câblage du présent guide). 2) Remplacez l'ensemble commande de flamme.

Ces instructions s'appliquent aux modèles MH50KR et MH75KTR. Utilisez le guide de dépannage suivant pour diagnostiquer et corriger les problèmes.

SYMPTÔME	DÉPANNAGE
1 clignotement	1) Assurez-vous que l'appareil est refroidi, placez l'interrupteur à « Off », attendez 5 minutes et redémarrez l'appareil.
Présence d'étincelles et appel de flamme, mais le moteur ne fonctionne pas ou tourne à très bas régime	1) Vérifiez le câblage vers le moteur (selon le schéma de câblage du présent guide). 2) Assurez-vous que le manomètre est bien en place et qu'il n'est pas endommagé. 3) Réglez la pression pour assurer le bon fonctionnement de l'appareil de chauffage selon les spécifications du présent guide. 4) Débranchez l'appareil, puis tournez le ventilateur dans le sens horaire pour vérifier si le moteur tourne librement. 5) Retirez le filtre à air du moteur et vérifiez si le rotor de la pompe présente des dommages. Le cas échéant, remplacez le rotor. 6) Si le câblage est adéquat, que le rotor est en bon état et que le moteur ne tourne pas librement, remplacez le moteur ou le boîtier d'alimentation. 7) Si le problème persiste, remplacez l'ensemble commande de flamme. 8) Vérifiez si un arc électrique se produit entre l'électrode et le cylindre de combustion. 9) Vérifiez la continuité de la cellule au cadmium.
Aucune étincelle	1) Assurez-vous que la longueur et le calibre de la rallonge électrique sont conformes aux spécifications (voir page 4). 2) Vérifiez le câblage vers l'allumeur (selon le schéma de câblage du présent guide). 3) Vérifiez l'écart entre les pointes d'électrode (2,3 - 3 mm). 4) Si il n'y a toujours pas d'étincelle, remplacez l'allumeur. 5) Remplacez l'ensemble commande de flamme.
Fonctionnement anormal du moteur - Le moteur surchauffe ou s'arrête	1) Régime moteur trop bas (le moteur doit tourner à 450 tr/min) - Remplacez le moteur. 2) Débranchez l'appareil, puis tournez le ventilateur dans le sens horaire pour vérifier si le moteur tourne librement. 3) Retirez le filtre à air du moteur et vérifiez si le rotor de la pompe présente des dommages. Le cas échéant, remplacez le rotor. 4) Si le câblage est adéquat, que le rotor est en bon état et que le moteur ne tourne pas librement, remplacez le moteur ou le boîtier d'alimentation. 5) Remplacez l'ensemble commande de flamme.
La flamme n'est pas détectée	1) Vérifiez le câblage vers la cellule au cadmium (selon le schéma de câblage du présent guide). 2) Nettoyez l'élément photoélectrique de la cellule au cadmium. 3) Dégagez la cellule au cadmium de son support. 4) Dégagez l'élément photoélectrique du boîtier de la cellule en poussant sur les 2 fils violets. 5) Nettoyez l'élément photoélectrique avec un chiffon doux et de l'alcool à friction. 6) Remettez l'élément photoélectrique dans le boîtier de la cellule au cadmium, puis réinstallez le support. 7) Vérifiez le fonctionnement de l'appareil de chauffage. 8) Si l'appareil ne fonctionne toujours pas, remplacez la cellule au cadmium. 4) Remplacez l'ensemble commande de flamme.
Détailance de la commande de flamme	1) Vérifiez le câblage de l'appareil de chauffage (selon le schéma de câblage du présent guide). 2) Remplacez l'ensemble commande de flamme.

**ENTRETIEN**

Un appareil de chauffage qui a été modifié ou qui ne fonctionne pas correctement risque d'être une cause de dangers.

Lorsque l'appareil de chauffage fonctionne normalement :

- \* La flamme reste dans l'appareil de chauffage.
- \* La flamme est vraiment jaune.
- \* Il n'y a pas de forte odeur désagréable, pas de sensation de brûlure aux yeux, ni de malaise physique général.
- \* Il n'y a pas de fumée ni de suie à l'intérieur ou à l'extérieur de l'appareil.
- \* Il ne se produit pas d'arrêts imprévus ou inexplicables de l'appareil.

une description du fonctionnement normal).

2. FILTRES. Les filtres à air et à combustible doivent être propres pour assurer l'équilibre du mélange air-combustible. À défaut de quoi, l'odeur augmentera et l'appareil de chauffage démarquera difficilement. Ne faites pas fonctionner l'appareil sans les filtres. Si nécessaire, nettoyez les filtres tel qu'il est décrit aux sections « Programme 500 heures » et « Programme annuel ».

**PROGRAMME 500 HEURES**

1. FILTRE D'ADMISSION D'AIR. Enlevez le filtre et lavez-le à l'aide d'un détergent doux. Séchez-le à fond et remettez-le en place. Ne huilez pas le filtre. Si vous utilisez l'appareil dans un endroit contenant beaucoup de poussières et de saletés, nettoyez le filtre aussi souvent que requis (aux 50 heures environ).

2. ENLÈVEMENT DE LA POUSSIÈRE. Nettoyez l'appareil de chauffage deux fois par saison (plus souvent dans les endroits poussiéreux). Enlevez la poussière accumulée sur le transformateur, le brûleur, le moteur et les pales du ventilateur à l'aide d'un jet d'air comprimé. Essayez les surfaces avec un chiffon sec et propre. Inspectez ces endroits pour vous assurer que toute matière étrangère a été enlevée, particulièrement autour du brûleur et de la zone de combustion.
3. CELLULE AU CADMIUM. Nettoyez la partie vitrée de la cellule au cadmium à l'aide d'un chiffon doux et sec.
4. GICLUR. L'accumulation de saleté de combustible et de carbone causée par l'aube d'entrée obstruera éventuellement les conduits du gicleur et entraînera une diminution du débit d'air et de combustible. La pression augmentera graduellement, ce qui déséquilibrera le mélange air-combustible et produira un surplus de fumée et d'odeur. Dans un tel cas, remplacez le gicleur.
5. RÉSERVOIR DE COMBUSTIBLE. Nettoyez-le deux fois par saison (au cours des périodes d'utilisation intensive, nettoyez-le deux fois par mois). Rincez et vidangez le réservoir à l'aide de mazout propre.

**PROGRAMME ANNUEL**

1. FILTRE DE SORTIE D'AIR. Enlevez le filtre de sortie d'air et frappez-en doucement le côté sale sur un objet dur pour enlever les saletés. Utilisez pas d'air comprimé ni de liquide pour nettoyer le filtre. Remplacez le filtre propre dans son réceptacle dans la position où il était. Si le filtre paraît extrêmement sale, remplacez-le par un autre du même type. En remettant le couvercle du filtre en place, assurez-vous que le joint d'étanchéité est solidement en place et que les vis du couvercle sont assez serrées pour empêcher des fuites d'air.
2. FILTRE À COMBUSTIBLE. Enlevez le filtre de la canalisation de combustible et dirigez de l'air comprimé à travers le filtre dans le sens contraire du débit du combustible. Veillez porter des lunettes protectrices en utilisant de l'air comprimé.
3. CANALISATIONS D'AIR ET DE COMBUSTIBLE. Si ces canalisations sont enlevées au cours du nettoyage, assurez-vous de bien serrer les raccords avant de faire fonctionner l'appareil.

**ENTREPOSAGE**

Entreposez l'appareil de chauffage dans un endroit sec exempt de vapeurs et de poussières. À la fin de chaque saison, nettoyez l'appareil de chauffage tel qu'indiqué dans la section ENTRETIEN. Rincez et vidangez le réservoir à l'aide de combustible propre. Le fabricant recommande de remplir complètement le réservoir de combustible avant un entreposage prolongé pour diminuer les risques de condensation.



- Lorsque la température est inférieure à -12 °C (10 °F), le démarrage sera facilité si l'on met un doigt sur l'orifice de ventilation de la vis de réglage de pression jusqu'à ce que l'appareil de chauffage démarre.
- Cet appareil est équipé d'un disjoncteur intégré à l'interrupteur marche-arrêt. Si l'appareil ne démarre pas, placez l'interrupteur

#### Pour tous les modèles :

1. **MH50KR :** Branchez le câble d'alimentation dans une prise mise à la terre de 115 V, 60 Hz, 1 Ø.
1. **MH75KTR, MH125KTR, MH175KTR et MH210KTR :** Réglez le thermostat au minimum et assurez-vous que l'interrupteur est à « OFF ». Branchez le cordon de l'appareil de chauffage dans une prise mise à la terre de 115 V, 60 Hz, 1 Ø. Réglez le thermostat à sa position la plus élevée. Démarrez l'appareil de chauffage en mettant l'interrupteur à « ON » (Marche) (La lumière s'allume à la position « ON »). Réglez le thermostat à la température désirée. L'appareil de chauffage s'arrêtera et redémarrera au besoin.

#### DÉMARRAGE DE L'APPAREIL

4. Placez l'appareil de chauffage à une distance sécuritaire des matériaux combustibles. Les modèles MH50KR et MH75KTR ne sont pas conçus pour être utilisés sur des planchers de bois ni d'autres matériaux combustibles. Lors de son fonctionnement, l'appareil de chauffage doit reposer sur un matériau isolant adéquat d'au moins 2,5 cm (1 po) dépassant l'appareil d'au moins 90 cm (3 pi) ou plus de tous les côtés.

#### IMPORTANT : Avant de remplir le réservoir la première fois ou après des périodes d'entreposage prolongées, enlevez-en la condensation.

1. Vérifiez soigneusement tout dommage qu'aurait pu subir l'appareil de chauffage pendant l'expédition. Si vous constatez des dommages, avisiez *immédiatement* le fabricant au 1 800 251-0001.
2. Respectez toutes les « Précautions ».
3. Remplissez le réservoir de kérosène propre. Dans des conditions de froid intense, il est possible que de la condensation se forme dans le réservoir. Il est donc recommandé d'ajouter une cuillère à table de liquide antigivant par 4 litres (1 gallon) de combustible. Utilisez au moins 8 litres (2 gallons) de combustible lors du remplissage du réservoir. Assurez-vous que l'appareil de chauffage est de niveau et que le réservoir ne déborde pas. Servez-vous d'un entonnoir ou d'un contenant muni d'un long bec verseur.

#### AVANT LE FONCTIONNEMENT

1. Assemblez les roues sur le cadre de support tel qu'illustré.
2. Insérez l'une des goupilles fendues dans le trou situé au bout de l'essieu.
3. Insérez la grande rondelle sur l'essieu, à côté de la goupille fendue, puis la roue.
4. Insérez un séparateur sur l'essieu jusqu'à côté de la roue.
5. Insérez l'essieu partiellement assemblé dans le cadre de support des roues.
6. Insérez un séparateur sur l'essieu jusqu'à côté du support de roue.
7. Insérez la roue sur l'essieu, puis la grande rondelle et fixez-les en place avec l'autre goupille fendue.
8. Installez les capuchons sur les grandes rondelles pour terminer l'assemblage des roues.

Les roues et les poignées se trouvent dans la boîte avec les pièces servant à l'assemblage. Les roues, l'essieu et les pièces servant à l'assemblage se trouvent dans un emballage. Les outils nécessaires sont une clé de 5/16 po, une clé ou une clé à molette de 3/8 po et une pince ordinaire.

**ASSEMBLAGE** (Pour modèles de 125 000, 175 000 et 210 000 BTU/h uniquement, voir la figure 1, page 8.)

1. GÉNÉRAL. Faites une inspection visuelle générale de l'appareil de chauffage pour déceler les pièces endommagées ou desserrées. Inspectez les boulons et les écrous pour vous assurer que les vibrations et les manipulations brusques ne les ont pas desserrés. Les pièces endommagées doivent être réparées ou remplacées avant d'utiliser à nouveau l'appareil de chauffage. Vérifiez si l'appareil fonctionne normalement (consultez la section « Réparation » pour

#### PROGRAMME QUOTIDIEN

1. **Cause :** La pression est trop forte.  
Desserrez la vis pour réduire la pression de la pompe.
1. **Problème :** La flamme dépasse l'extrémité du tube de sortie.  
**Cause :** La pression est trop faible.  
Serrez la vis de réglage pour augmenter la pression de la pompe.

1. **Problème :** L'appareil ne produit pas une flamme forte et homogène. L'appareil émet de la fumée et éjecte du combustible brut. Le cône avant ne devient pas rouge cerise.  
**Cause :** La pression est trop faible.  
Serrez la vis de réglage pour augmenter la pression de la pompe.

#### SYMPTÔMES DE RÉGLAGE DE PRESSION INCORRECT

1. Remplissez le réservoir.
2. Démarrez l'appareil.
3. Répérez la vis du régulateur de pression de combustible (n° 29 de la vue éclatée). Cette vis est située à l'arrière, sous le couvercle du boîtier de filtre à air (à environ 2 po à partir de la gauche et 1 po à partir du haut).
4. À l'aide d'un tournevis plat, serrez la vis pour augmenter la pression ou desserrez-la pour réduire la pression. Les pressions nominales sont indiquées dans le tableau des spécifications à la page 3 du Guide d'utilisation et instructions de fonctionnement.
5. Pour une efficacité maximale, le cône avant de la chambre de combustion doit être rouge cerise sans présenter de taches foncées, et la flamme ne doit pas se prolonger au-delà du cône.

#### RÉGLAGE DE PRESSION DE LA POMPE

En raison des variations de viscosité des combustibles et de l'usure normale des pièces, il peut devenir nécessaire de régler la pression de la pompe.

#### POUR RÉGLER LA PRESSION :

1. Remplissez le réservoir.

#### ENTRETIEN ET ENTREPOSAGE

**AVERTISSEMENT.** Pour éviter toute blessure, débranchez l'appareil de chauffage de la prise murale avant d'en effectuer l'entretien.

Pour optimiser le fonctionnement et éviter les problèmes, effectuez régulièrement les inspections, le nettoyage et l'entretien suivants.

MH50KR : Débranchez l'appareil, attendez cinq minutes puis rebranchez l'appareil.

MH75KTR, MH125KTR, MH175KTR et MH210KTR : Placez l'interrupteur

#### REDÉMARRAGE APRÈS UN ARRÊT D'URGENCE (MH50KR, MH75KTR, MH125KTR, MH175KTR et MH210KTR) Voir page 7.

de chauffage de sa source d'alimentation.






1. **MH50KR :** Débranchez l'appareil.

#### ARRÊT DE L'APPAREIL

à « OFF », attendez 5 minutes et placez-le à « ON ».

# SPÉCIFICATIONS

PRUDENCE : CSA certifié pour l'utilisation avec seulement No. 1-K le combustible de pétrole.

Modèles	MH50KR	MH75KTR	MH125KTR	MH175KTR	MH210KTR
Taux de combustion :	50 000 Btu/h (14,7 kW)	75 000 Btu/h (22 kW)	125 000 Btu/h (37 kW)	175 000 Btu/h (51 kW)	210 000 Btu/h (61,5 kW)
Consommation de combustible :	0,37 gal/h (1,4 L/h)	0,55 gal/h (2,1 L/h)	0,96 gal/h (3,5 L/h)	1,3 gal/h (5,0 L/h)	1,6 gal/h (6,0 L/h)
Consommation électrique :	115 V, 60 Hz, 3,5 A	115 V, 60 Hz, 4 A	115 V, 60 Hz, 5,5 A	115 V, 60 Hz, 5,5 A	115 V, 60 Hz, 5,5 A
Courant maximal :	10 A	10 A	20 A	20 A	20 A
Temp. minimale de fonctionnement :	110 V	110 V	110 V	110 V	110 V
Pression :	3,5 psig (24 kPa)	4,2 psig (29 kPa)	5,5 psig (38 kPa)	5,8 psig (40 kPa)	8,5 psig (58,6 kPa)
Température de sortie maximale :	704 °C (1 300 °F)	704 °C (1 300 °F)	704 °C (1 300 °F)	704 °C (1 300 °F)	704 °C (1 300 °F)
Capacité du réservoir :	15,1 (4 gal.)	22,7 (6 gal.)	32,1 (8,45 gal.)	51,1 (13,5 gal.)	51,1 (13,5 gal.)
Allumage :	Par étincelle, en continu	Par étincelle, en continu	Par étincelle, en continu	Par étincelle, en continu	Par étincelle, en continu
Générateur d'étincelle :	Allumeur 13 kV, 10 mA	Allumeur 13 kV, 10 mA	Allumeur 13 kV, 10 mA	Allumeur 13 kV, 10 mA	Allumeur 13 kV, 10 mA
Appareil de commande :	Commande transistorisée	Commande transistorisée	Commande transistorisée	Commande transistorisée	Commande transistorisée
Certification :					

## PRÉCAUTIONS LIÉES AU FONCTIONNEMENT

Cet appareil de chauffage à air pulsé et à feu direct fonctionne au kérosène. Il est destiné principalement à chauffer temporairement des édifices en construction, en rénovation ou en réparation.

Le fonctionnement à feu direct de cet appareil signifie que tous les produits de combustion se retrouvent dans l'air ambiant. Même si la combustion de l'appareil de chauffage est presque complète, il produit quand même de petites quantités de monoxyde de carbone. Le monoxyde de carbone (appelé CO) est toxique. Il est possible que le CO s'accumule dans le local à chauffer. Une ventilation inadéquate pourrait ainsi causer la mort. Les symptômes ressentis en cas de ventilation inadéquate sont les suivants :

- mal de tête
- étourdissement
- sensation de brûlure au nez et aux yeux
- nausée
- mal de gorge ou bouche sèche

Assurez-vous de respecter les conseils au sujet de la ventilation mentionnés dans la section Précautions liées à la sécurité.

Un appareil à air pulsé signifie que l'air est soufflé dans l'appareil de chauffage par une soufflerie. La qualité de la combustion dépend du débit d'air. Par conséquent, l'appareil de chauffage ne doit pas être modifié ni être utilisé si des pièces sont manquantes. De même, les systèmes de sécurité ne doivent pas être contournés ni modifiés pour faire fonctionner l'appareil. Lorsque l'appareil de chauffage doit fonctionner en présence d'autres personnes, l'utilisateur est responsable d'informer ces dernières des instructions et précautions liées à la sécurité et de les avertir des dangers inhérents.

## PRÉCAUTIONS LIÉES À LA SÉCURITÉ

1. Recommandé pour l'utilisation avec le combustible de pétrole No. 1-K. L'usine évaluee pour l'utilisation avec le pétrole No. 2-K, No. 1 ou le Gazole de No. 2, No. 1 ou le Jet de JP8 un combustible et ces combustibles peut être utilisée aussi. N'utilisez jamais de l'essence, le pétrole égoutté des cas de fanaque, le naphte, peignes thimers, de l'alcool ou autres combustibles extrêmement inflammables.
2. Vérifiez attentivement si l'appareil de chauffage a subi des dommages. NE MODIFIEZ PAS l'appareil de chauffage et ne le faites pas fonctionner s'il n'est plus dans son état d'origine.
3. NE MODIFIEZ PAS l'appareil de chauffage et ne le faites pas fonctionner s'il n'est plus dans son état d'origine.
4. Pour utilisation intérieure seulement. L'appareil ne doit pas être exposé aux intempéries.

## INSTRUCTIONS DE FONCTIONNEMENT

### DÉBALLAGE

1. Retirez l'appareil de chauffage de la boîte.
2. Enlevez tout le matériel de protection installé sur l'appareil pour le transport.
3. Vérifiez soigneusement tout dommage qu'aurait pu subir l'appareil de chauffage pendant l'expédition. Si vous constatez quelque chose, contactez immédiatement le fabricant.
4. Ne déplacez pas l'appareil, ne lui touchez pas et n'essayez pas d'en faire l'entretien lorsqu'il est chaud.
5. Utilisez-le uniquement en conformité avec les codes, les ordonnances et les exigences de la province, de l'état ou de la municipalité concernés.
6. Gardez tous les matériaux combustibles, comme le papier et le bois, à au moins 2,4 m (8 pi) de la sortie de l'appareil de chauffage et à 1,0 m (3 pi) du dessus et des côtés de l'appareil ainsi que de la prise d'air. Placez l'appareil à 3 m (10 pi) des toiles et des revêtements plastiques, et fixez-les afin d'empêcher tout battement.
7. Attention : En raison des températures élevées à la surface et à la sortie, les adultes et les enfants doivent respecter les distances de sécurité pour éviter les brûlures et l'inflammation des vêtements. Ne touchez pas à l'appareil. Gardez les enfants, les vêtements et les produits combustibles à bonne distance de l'appareil.
8. Placez l'appareil de chauffage de façon à ce qu'il ne soit pas exposé directement à l'eau.
9. Ne l'utilisez jamais dans des endroits qui servent normalement à l'habitation ni où sont présents des enfants.
10. Utilisez uniquement sur des surfaces stables et de niveau. (Modèles MH50KR et MH75KTR – Voir l'avertissement au sujet des planchers de bois.)
11. N'utilisez pas l'appareil avec des conduits d'air. N'obstruez pas l'entrée et la sortie d'air.
12. Utilisez uniquement avec l'alimentation électrique spécifiée. Le raccordement électrique et la mise à la terre doivent être conformes au Code national de l'électricité – ANSI/NFPA 70 (É.-U.) – et au Code canadien de l'électricité – CSA C22.1 – partie 1 (Canada).
13. N'utilisez qu'avec une fiche ou une rallonge mise à la terre munie de trois broches.
14. Ne déplacez pas l'appareil, ne lui touchez pas et n'essayez pas d'en faire l'entretien lorsqu'il est chaud.
15. Utilisez-le uniquement en conformité avec les codes, les ordonnances et les exigences de la province, de l'état ou de la municipalité concernés.

**AVERTISSEMENT RELATIF AUX MODÈLES MHSOKR ET MH75KTR :**  
 Non conçu pour être utilisé sur des planchers de bois ou d'autres matériaux combustibles. Lors de son fonctionnement, l'appareil de chauffage doit reposer sur un matériau isolant adéquat d'au moins 2,5 cm (1 po) d'épaisseur et dépassant l'appareil d'au moins 90 cm (3 pi) de tous les côtés.

- AVERTISSEMENT :**
- N'EMPLOYEZ PAS D'ESSENCE, DE NAPhte OU DE PRODUITS COMBUSTIBLES VOLATILS.
  - ARRÊTEZ L'APPAREIL DE CHAUFFAGE AVANT D'Y AJOUTER DU COMBUSTIBLE.
  - REMPLISSEZ TOUJOURS LE RÉSERVOIR À L'EXTÉRIEUR, LOIN D'UNE FLAMME NUE.
  - N'UTILISEZ PAS DE SOURCE DE COMBUSTIBLE EXTERNE. NE FAITES PAS FONCTIONNER L'APPAREIL DE CHAUFFAGE SI DES VAPEURS OU DES LIQUIDES INFLAMMABLES RISQUENT D'ÊTRE PRÉSENTS.
  - NE DÉMARRÉZ PAS L'APPAREIL DE CHAUFFAGE SI LA CHAMBRE DE COMBUSTION EST CHAUDE.
  - NE DÉMARRÉZ PAS L'APPAREIL DE CHAUFFAGE SI UN SURPLUS DE COMBUSTIBLE S'EST ACCUMULÉ DANS LA CHAMBRE DE COMBUSTION.
  - NE PLACEZ PAS D'USTENSILES DE CUISSON SUR L'APPAREIL DE CHAUFFAGE.
  - BRANCHEZ LE CORDON ÉLECTRIQUE DANS UNE PRISE À TROIS BROCHES ADÉQUATEMENT MISE À LA TERRE.

**TABLE DES MATIÈRES**

2 AVERTISSEMENTS .....  
 3 FICHE TECHNIQUE .....  
 3 PRÉCAUTIONS LIÉES AU FONCTIONNEMENT .....  
 3 PRÉCAUTIONS LIÉES À LA SÉCURITÉ .....  
 3 INSTRUCTIONS D'UTILISATION .....  
 4 ENTRETIEN, ENTREPOSAGE ET RÉPARATION .....  
 4 DÉPANNAGE .....  
 6 SCHEMA DE CÂBLAGE .....  
 7 LISTE DES PIÈCES .....  
 8 VUE ÉCLATÉE .....  
 9 GARANTIE .....  
 10 INSTRUCTIONS POUR LA COMMANDE DE PIÈCES .....  
 10

**AVERTISSEMENT :**  
**LE MONOXYDE DE CARBONE PEUT VOUS TUER.**  
 L'UTILISATION D'UN APPAREIL DE CHAUFFAGE DE CAMPING PORTATIF À GAZ DANS UNE TENTE, UN VÉHICULE RÉCRÉATIF, UNE ROULOTTE, UNE VOITURE, UN ATRI OU TOUT AUTRE ENDROIT FERMÉ PRODUIT DU MONOXYDE DE CARBONE, UN GAZ MORTEL.

**AVERTISSEMENT GÉNÉRAL DE DANGER :**  
 LE NON-RÉSPECT DES MESURES DE PRÉVENTION ET INSTRUCTIONS FOURNIES AVEC CET APPAREIL DE CHAUFFAGE RISQUE DE CAUSER LA MORT, DES BLESSURES GRAVES ET DES DOMMAGES OU DES PERTES MATÉRIELLES RÉSULTANT D'INCENDIE, D'EXPLOSION, DE BRÛLURE, D'ASPHYXIE, D'INTOXICATION AU MONOXYDE DE CARBONE OU D'ÉLECTROCUTION.  
 SEULES LES PERSONNES APTES À COMPRENDRE ET À RESPECTER LES INSTRUCTIONS DEVAIENT UTILISER OU EFFECTUER L'ENTRETIEN DE CET APPAREIL DE CHAUFFAGE. SI VOUS AVEZ BESOIN D'AIDE OU D'INFORMATION AU SUJET DE L'APPAREIL DE CHAUFFAGE (MANUEL D'INSTRUCTIONS, ÉTIQUETTES, ETC.), VEUILLEZ COMMUNIQUER AVEC LE FABRICANT.

**AVERTISSEMENT :**  
 VOTRE SÉCURITÉ PERSONNELLE ÉTANT IMPORTANTE POUR TOUS, VEUILLEZ LIRE LES INSTRUCTIONS AVANT D'UTILISER CET APPAREIL DE CHAUFFAGE.

**AVERTISSEMENT :**  
 NON CONÇU POUR ÊTRE UTILISÉ DANS UNE HABITATION OU UN VÉHICULE RÉCRÉATIF.

**AVERTISSEMENT :**  
 DANGER D'INCENDIE, D'EXPLOSION ET D'INHALATION. CONSERVEZ LES MATÉRIAUX COMBUSTIBLES TELS QUE LES MATÉRIAUX DE CONSTRUCTION, LE PAPIER ET LE CARTON À UNE DISTANCE SÉCURITAIRE DE L'APPAREIL DE CHAUFFAGE COMME LE RECOMMANDENT LES INSTRUCTIONS. N'UTILISEZ JAMAIS L'APPAREIL DE CHAUFFAGE DANS UN LOCAL QUI CONTIENT OU RISQUE DE CONTENIR DES PARTICULES COMBUSTIBLES EN SUSPENSION DANS L'AIR OU DES PRODUITS TELS QUE DE L'ESSENCE, DES SOLVANTS, DU DILUANT À PEINTURE, DES PARTICULES DE POUSSIÈRE OU DES PRODUITS CHIMIQUES INCONNUS.

**AVERTISSEMENT :**  
 L'UTILISATION DE CET APPAREIL GÉNÈRE DES SOUS-PRODUITS DE COMBUSTION CONTENANT DU MONOXYDE DE CARBONE, PRODUIT CHIMIQUE RECONNU PAR L'ÉTAT DE LA CALIFORNIE COMME CAUSE DE CANCER ET D'ANOMALIES CONGÉNITALES (OU AUTRES RISQUES POUR LA REPRODUCTION).

**AVERTISSEMENT :**  
 L'État de la Californie exige que l'avertissement suivant soit fourni :

UL-733, et CSA/CAN3-B140.9.3

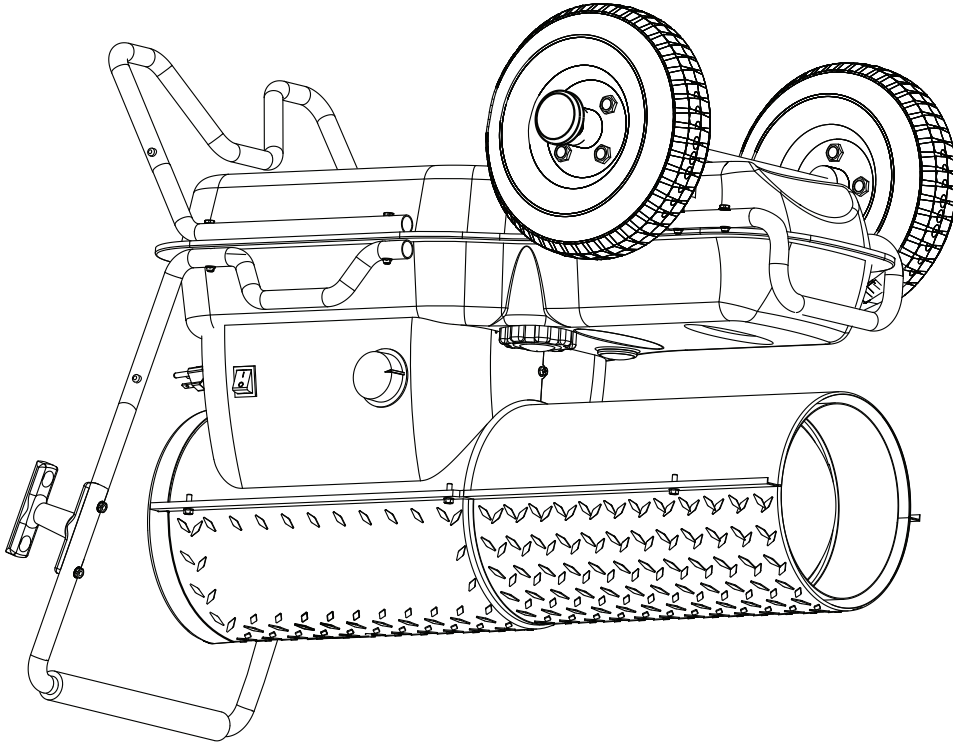


Cet appareil de chauffage portatif n'est pas ventilé. Il utilise l'oxygène de l'air ambiant. Une circulation d'air adéquate doit être assurée pour la combustion et la ventilation. Voir page 3.

- N'entrez pas et n'utilisez pas d'essence ou d'autres liquides ou vapeurs inflammables à proximité de ce type d'appareil.
- L'entretien doit être effectué par un fournisseur de services d'entretien qualifié.

**AVERTISSEMENT : Le non-respect des instructions, telles qu'indiquées dans le présent guide, risque d'entraîner une explosion ou un incendie entraînant des dommages matériels ou des blessures, voire mortelles.**

# APPAREIL DE CHAUFFAGE À AIR PULSÉ AU KÉROSENE



**LISEZ SOIGNEUSEMENT LES INSTRUCTIONS.** Lisez et observez toutes les instructions. Conservez les instructions pour vous y référer ultérieurement. Interdisez à quiconque n'ayant pas lu les présentes instructions d'assembler, d'allumer, de régler ou de faire fonctionner cet appareil de chauffage.

## GUIDE D'UTILISATION ET INSTRUCTIONS DE FONCTIONNEMENT



Modèle n°

MH50KR, MH75KTR, MH125KTR, MH175KTR, MH210KTR

Numéro de série : SKU-09001001

## Free Manuals Download Website

<http://myh66.com>

<http://usermanuals.us>

<http://www.somanuals.com>

<http://www.4manuals.cc>

<http://www.manual-lib.com>

<http://www.404manual.com>

<http://www.luxmanual.com>

<http://aubethermostatmanual.com>

Golf course search by state

<http://golfingnear.com>

Email search by domain

<http://emailbydomain.com>

Auto manuals search

<http://auto.somanuals.com>

TV manuals search

<http://tv.somanuals.com>