

OPERATION AND PARTS MANUAL




WHISPERWATT™ SERIES MODEL DCA-100SSVU 60 Hz GENERATOR


PARTS LIST NO. M3870300704F

Revision #0 (11/05/07)

**THIS MANUAL MUST ACCOMPANY
THE EQUIPMENT AT ALL TIMES.**



WARNING



CALIFORNIA — Proposition 65 Warning

Diesel engine exhaust and some of its constituents are known to the State of California to cause cancer, birth defects and other reproductive harm.

HERE'S HOW TO GET HELP

PLEASE HAVE THE MODEL AND SERIAL
NUMBER *ON-HAND* WHEN CALLING

MQ POWER CORPORATE OFFICE

18910 Wilmington Ave. 800-421-1244
Carson, CA 90746 FAX:310-632-2656
Email: mqpower@multiquip.com
Internet: www.mqpower.com

PARTS DEPARTMENT

800-427-1244 FAX:800-672-7877
310-537-3700 FAX:310-637-3284

SERVICE DEPARTMENT

800-835-2551 FAX:310-638-8046
310-537-3700

TECHNICAL ASSISTANCE

800-835-2551 FAX:310-638-8046

WARRANTY DEPARTMENT

800-835-2551, EXT.279 FAX:310-638-8046
310-537-3700, EXT.279

© COPYRIGHT 2007, MULTIQUIP INC.

MQ Power Inc, Ultra-Silent series, and the MQ Power logo are registered trademarks of Multiquip Inc. and may not be used, reproduced, or altered without written permission. All other trademarks are the property of their respective owners and used with permission.

This manual MUST accompany the equipment at all times. This manual is considered a permanent part of the equipment and should remain with the unit if resold.

The information and specifications included in this publication were in effect at the time of approval for printing. Illustrations are based on the *DCA-100SSVU WHISPERWATT AC Generator*. Multiquip Inc. reserves the right to discontinue or change specifications, design or the information published in this publication at any time without notice and without incurring any obligations.

To find the latest revision of this
publication, visit our website at:
www.mqpower.com



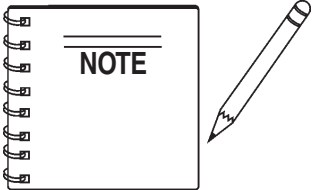
MQ POWER DCA-100SSVU WHISPERWATT™ GENERATOR

- California Proposition 65 Warning 2
- Here's How To Get Help 3
- Table Of Contents 4
- Parts Ordering Procedures 5
- Specifications 6
- Dimensions (Top, Side, Front) 7
- Safety Message Alert Symbols 8-9
- Rules for Safe Operation 10-13
- Generator Decals 14-15
- Installation 16-17
- General Information 18
- Major Components 19
- Generator Control Panel 21
- Engine Operating Panel 22-23
- Output Terminal Panel Familiarization 24-26
- Load Application 27
- Generator Outputs 28
- Gauge Reading 29
- Output Terminal Panel Connections 30-31
- Pre-Setup 32-35
- Generator Start-up Procedure (Manual) 36-37
- Generator Start-up Procedure (Auto Mode) 38
- Generator Shut-Down Procedure 39
- Maintenance (Engine) 40-41
- Jacket Water Heater/battery Charger (Option) 42
- Maintenance (Trailer) 43-46
- Trailer Wiring Diagram 47
- Generator Wiring Diagram 48
- Engine Wiring Diagram 49
- Generator Troubleshooting 50
- Engine Controller Troubleshooting 51
- Explanation of Code in Remarks Column 52
- Suggested Spare Parts 53

COMPONENT DRAWINGS

- Generator Assembly 54-55
- Engine Operating Panel Assembly 56-57
- Control Box Assembly (S/N 7800129 and Below) 58-61
- Control Box Assembly (S/N 7800130 and Above) 62-65
- Engine and Radiator Assembly 66-67
- Output Terminal Assembly 68-69
- Actuator Assembly 70-71
- Battery Assembly 72-73
- Muffler Assembly 74-75
- Fuel Tank Assembly 76-77
- Enclosure Assembly 78-81
- Rubber Seals Assembly 82-83
- Nameplate and Decals 84-87

- Terms and Condition of Sale — Parts 88



Specification and part number are subject to change without notice.

PARTS ORDERING PROCEDURES

When ordering parts, please supply the following information:

- Dealer account number
- Dealer name and address
- Shipping address (if different than billing address)
- Return fax number
- Applicable model number
- Quantity, part number and description of each part
- Specify preferred method of shipment:
 - ✓ FedEx or UPS Ground
 - ✓ FedEx or UPS Second Day or Third Day
 - ✓ FedEx or UPS Next Day
 - ✓ Federal Express Priority One
 - ✓ DHL
 - ✓ Truck

Note: Unless otherwise indicated by customer, all orders are treated as "Standard Orders", and will ship within 24 hours. We will make every effort to ship "Air Shipments" the same day that the order is received, if prior to 2PM west coast time. "Stock Orders" must be so noted on fax or web forms.



Here's how to get help...

Please have the model and serial number on hand when calling.

MQ POWER CORPORATE OFFICE

18910 Wilmington Ave. 800-421-1244
 Carson, CA 90746 FAX: 310-632-2656
 Email: mqpower@multiquip.com
 Internet: www.mqpower.com

PARTS DEPARTMENT

800-427-1244 FAX: 800-672-7877
 310-537-3700 FAX: 310-637-3284

SERVICE DEPARTMENT

800-835-2551 FAX: 310-638-8046
 310-537-3700

TECHNICAL ASSISTANCE

800-835-2551 FAX: 310-638-8046

WARRANTY DEPARTMENT

800-835-2551, EXT. 279 FAX: 310-638-8046
 310-537-3700, EXT. 279

Place Your Parts Order Via Web or Fax For Even More Savings!

(Domestic USA Dealers Only)

Extra Discounts!

All parts orders which include complete part numbers and are received by our automated web parts order system, or by fax qualify for the following extra discounts:

Ordered via	Standard orders	Stock orders (\$750 list and above)
Fax	3%	10%
Web	5%	10%

Special freight allowances when you order 10 or more line items via Web or Fax! **

FedEx Ground Service **at no charge for freight**

No other allowances on freight shipped by any other carrier.

****Common nuts, bolts and washers (all items under \$1.00 list price) do not count towards the 10+ line items.**

NOTE: DISCOUNTS ARE SUBJECT TO CHANGE



MQPOWER
 A Division of Multiquip Inc.
 POST OFFICE BOX 6254
 CARSON, CA 90749
 310-537-3700 • 800-421-1244
 FAX: 310-632-2656
 E-MAIL: mqpower@multiquip.com
 INTERNET: www.mqpower.com

Direct TOLL-FREE access to our Parts Department:

Toll-free nationwide — 800-427-1244

Toll-free FAX — 800-6-PARTS-7 (800/672-7877)

DCA-100SSVU — SPECIFICATIONS

Table 1. Generator Specifications

Model	DCA-100SSVU
Type	Revolving field, self ventilated, open protected type synchronous generator
Armature Connection	Star with Neutral/Zig Zag
Phase	3
Standby Output	110 KVA (88 KW)
Prime Output	100 KVA (80 KW)
Voltage — 1Ø	120, 127, 139, 240, 254, and 277V
Voltage — 3Ø	208, 220, 240, 416, 440, and 480V
Frequency	60 Hz
Speed	1800 rpm
Power Factor	0.8
Dry Weight	4,035 lbs. (1,830 kg.)
Wet Weight	4,675 lbs. (2,120 kg.)

Table 2. Engine Specifications

Model	VOLVO PENTA TAD520GE
Type	4 cycle, water-cooled, direct injection, turbo-charged
No. of Cylinders	4 cylinders
Bore x Stroke	4.25 in. x 5.12 in. (108 mm x 130 mm)
Displacement	290 cu. in. (4.76 liters)
Starting	Electric 12VDC
Coolant Capacity	5.2 gal. (19.7 liters)
Lube Oil Capacity	3.4 gal. (13 liters)
Fuel Type	#2 Diesel Fuel
Fuel Tank Capacity	63 gal. (240 liters)
Fuel Consumption	6.02 gal. (22.8 L)/hr at full load
Battery	12V-128 AH

DCA-100SSVU — DIMENSIONS (TOP, SIDE AND FRONT)

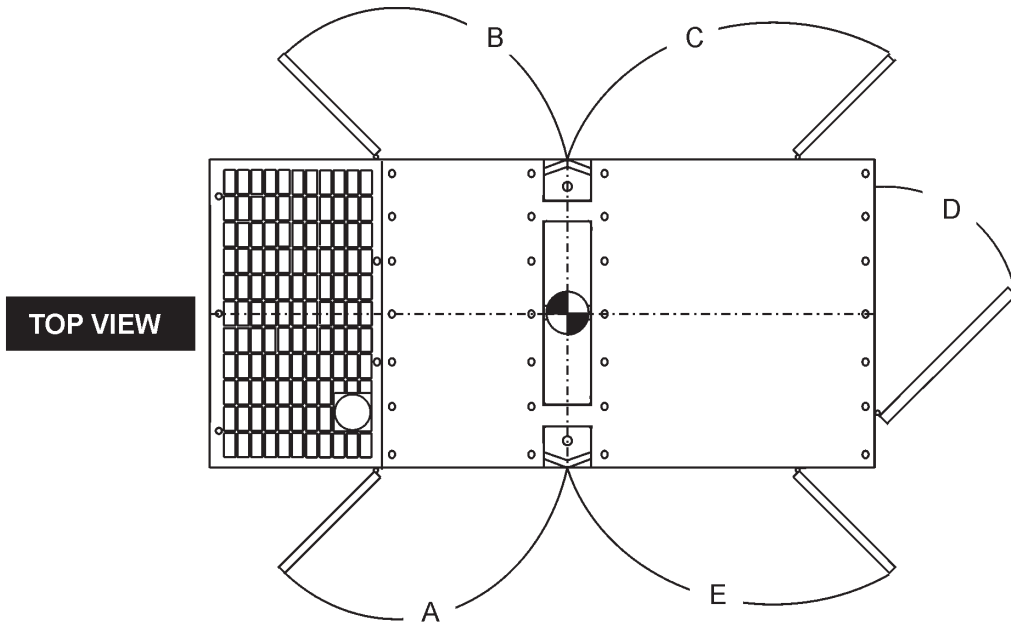
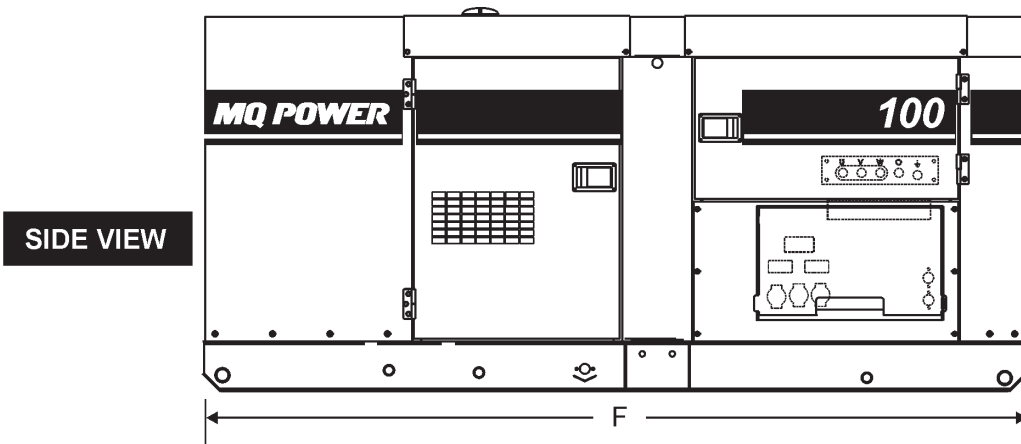


Figure 1. Dimensions



FRONT VIEW

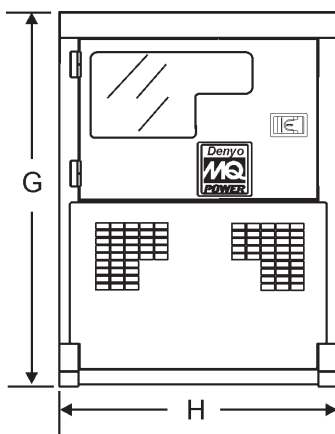


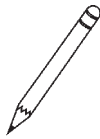
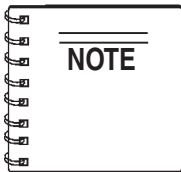
TABLE 3. DIMENSIONS

Reference Letter	Dimension ft. (mm.)	Reference Letter	Dimension ft. (mm.)
A	30.71 in. (780 mm.)	F	120.08 in. (3,050 mm.)
B	30.71 in. (780 mm.)	G	55.12 in. (1,400 mm.)
C	41.34 in. (1,050 mm.)	H	43.31 in. (1,100 mm.)
D	38.19 in. (970 mm.)		
E	41.34 in. (1,050 mm.)		

DCA-100SSVU — SAFETY MESSAGE ALERT SYMBOLS

FOR YOUR SAFETY AND THE SAFETY OF OTHERS!

Safety precautions should be followed at all times when operating this equipment. Failure to read and understand the Safety Messages and Operating Instructions could result in injury to yourself and others.



This Owner's Manual has been developed to provide complete instructions for the safe and efficient operation of the MQ Power **Model DCA-100SSVU Whisperwatt™ Generator**.

Before using this generator, ensure that the operating individual has read and understands all instructions in this manual.

SAFETY MESSAGE ALERT SYMBOLS

The three (3) Safety Messages shown below will inform you about potential hazards that could injure you or others. The Safety Messages specifically address the level of exposure to the operator, and are preceded by one of three words: **DANGER**, **WARNING**, or **CAUTION**.

DANGER

You **WILL** be **KILLED** or **SERIOUSLY** injured if you do not follow directions.

WARNING

You **COULD** be **KILLED** or **SERIOUSLY** injured if you do not follow directions.

CAUTION

You **CAN** be injured if you do not follow directions

HAZARD SYMBOLS

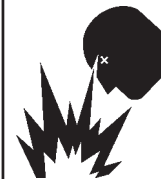
Potential hazards associated with the operation of this equipment will be referenced with "**Hazard Symbols**" which appear throughout this manual, and will be referenced in conjunction with Safety "**Message Alert Symbols**".

WARNING - LETHAL EXHAUST GASES



Gasoline engine exhaust gases contain poisonous carbon monoxide. This gas is colorless and odorless, and can cause **DEATH** if inhaled. **NEVER** operate this equipment in a confined area or enclosed structure that does not provide ample free flow air.

WARNING - EXPLOSIVE FUEL



Gasoline is extremely flammable, and its vapors can cause an explosion if ignited. **DO NOT** start the engine near spilled fuel or combustible fluids. **DO NOT** fill the fuel tank while the engine is running or hot.

DO NOT overfill tank, since spilled fuel could ignite if it comes into contact with hot engine parts or sparks from the ignition system. Store fuel in approved containers, in well-ventilated areas and away from sparks and flames. **NEVER** use fuel as a cleaning agent.

WARNING - BURN HAZARDS



Engine components can generate extreme heat. To prevent burns, **DO NOT** touch these areas while the engine is running or immediately after operations. **NEVER** operate the engine with heat shields or heat guards removed.

DANGER - ELECTROCUTION HAZARDS

During operation of this generator, there exists the possibility of **electrocution, electrical shock or burn**, which can cause **severe bodily harm** or even **DEATH!**



DCA-100SSVU — SAFETY MESSAGE ALERT SYMBOLS

WARNING - ROTATING PARTS



NEVER operate equipment with covers, or guards removed. Keep **fingers, hands, hair** and clothing away from all moving parts to prevent injury.

CAUTION - RESPIRATORY HAZARDS



ALWAYS wear approved **respiratory** protection.

CAUTION - ACCIDENTAL STARTING



ALWAYS place the **engine ON/OFF** switch (**MPEC**) in the **OFF/RESET** position when the generator is not in use.

CAUTION - SIGHT AND HEARING HAZARDS



ALWAYS wear approved **eye** and **hearing** protection.

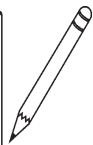
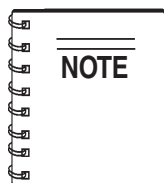
CAUTION - OVER-SPEED CONDITIONS



NEVER tamper with the factory settings of the engine governor or settings. Personal injury and damage to the engine or equipment can result if operating in speed ranges above maximum allowable.

CAUTION - EQUIPMENT DAMAGE MESSAGES

Other important messages are provided throughout this manual to help prevent damage to your generator, other property, or the surrounding environment.



This generator, other property, or the surrounding environment could be damaged if you do not follow instructions.

DCA-100SSVU — RULES FOR SAFE OPERATION

DANGER - READ THIS MANUAL!

Failure to follow instructions in this manual may lead to **serious injury** or even **DEATH!** This equipment is to be operated by trained and qualified personnel only! This equipment is for industrial use only.

The following safety guidelines should always be used when operating the **DCA-100SSVU Whisperwatt™ AC Generator**.

General Safety:

- **DO NOT** operate or service this equipment before reading this entire manual.



The operator **MUST BE** familiar with proper safety precautions and operations techniques before using generator.

- This equipment should not be operated by persons under 18 years of age.
- **NEVER** operate this equipment without proper protective clothing, shatterproof glasses, steel-toed boots and other protective devices required by the job.



- **NEVER** operate this equipment when not feeling well due to fatigue, illness or taking medicine.
- **NEVER** operate this equipment under the influence or drugs or alcohol.



- **NEVER** use accessories or attachments, which are not recommended by MQ Power for this equipment. Damage to the equipment and/or injury to user may result.
- Manufacturer does not assume responsibility for any accident due to equipment modifications. Unauthorized equipment modification will void all warranties.
- Whenever necessary, replace nameplate, operation and safety decals when they become difficult read.

- **ALWAYS** check the machine for loosened threads or bolts before starting.

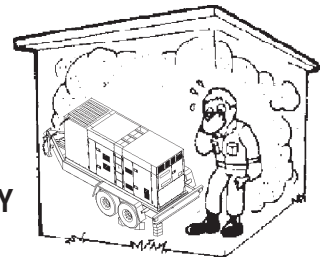
- **NEVER** operate the generator in an explosive atmosphere or near combustible materials. An explosion or fire could result causing severe **bodily harm or even death**.

- **NEVER** touch the hot exhaust manifold, muffler or cylinder. Allow these parts to cool before servicing engine or generator.



- **High Temperatures** – Allow the engine to cool before performing service and maintenance functions. Contact with **hot!** components can cause serious burns.

- The engine of this generator requires an adequate free flow of cooling air. **NEVER** operate the generator in any enclosed or narrow area where free flow of the air is restricted. If the air flow is restricted it will cause serious damage to the generator or engine and may cause injury to people. The generator engine gives off **DEADLY** carbon monoxide gas.



- **DO NOT** place hands or fingers inside generator engine compartment when engine is running.
- **NEVER** run engine without air filter. Severe engine damage may occur.
- **DO NOT** leave the generator running in the **manual mode** unattended.
- Refer to the **VOLVO Engine Owner's Manual** for engine technical questions or information.
- **ALWAYS** store equipment properly when it is not being used. Equipment should be stored in a clean, dry location out of the reach of children.

Generator Grounding

To guard against electrical shock and possible damage to the equipment, it is important to provide a good **EARTH** ground.

Article 250 (Grounding) of the **National Electrical Code** (NEC) provides guide lines for proper grounding and specifies that the cable ground shall be connected to the grounding system of the building as close to the point of cable entry as practical.

The following safety recommendations should also be followed:

- **ALWAYS** make sure generator is properly grounded.
- **NEVER** use gas piping as an electrical ground.
- **ALWAYS** make sure that electrical circuits are properly **grounded** per the **National Electrical Code** (NEC) and local codes before operating generator. Severe **injury** or **DEATH!** by electrocution can result from operating an ungrounded generator.
- **ALWAYS** be sure to use the ground terminal (green wire) when connecting a load to the U,V, and W output terminal lugs.

Electrical Safety

- **ALWAYS** have a qualified electrician perform the generator wiring installation.
- **ALWAYS** make sure generator installation is accordance with the **National Electrical Code** (NEC) and local codes before operating generator.
- **NEVER** use a defective or frayed power cable. Check the cable for cuts in the insulation.
- **NEVER** use a extension cord that is frayed or damaged where the insulation has been cut.
- **ALWAYS** make certain that proper extension cord has been selected for the job. See Table 6.
- **NEVER** power cables or cords **lay in water**.
- **NEVER stand in water** while AC power from the generator is being transfer to a load.

⚠ DANGER - ELECTROCUTION HAZARDS

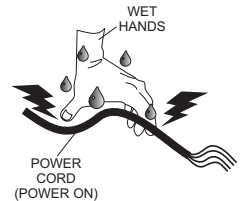
During operation of this generator, there exists the possibility of **electrocution, electrical shock or burn**, which can cause **severe bodily harm** or even **DEATH!**



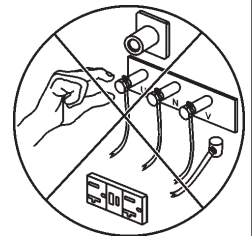
To avoid these hazards:

NEVER use damaged or worn cables when connecting equipment to the generator. Make sure power connecting cables are securely connected to the generator's output terminals, insufficient tightening of the terminal connections may cause damage to the generator and electrical shock.

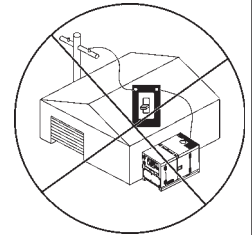
NEVER grab or touch a live power cord with wet hands.



NEVER touch output terminals during operation. This is extremely dangerous. **ALWAYS** stop the machine and place the circuit breaker in the **OFF** position when contact with the output terminals is required.



Backfeed to a utility system can cause **electrocution** and or property damage. **DO NOT** connect to any building's electrical system except through an approved device or after building main switch is opened. **ALWAYS** have a licensed electrician perform the installation



DCA-100SSVU — RULES FOR SAFE OPERATION

Maintenance Safety

- The electrical voltage required to operate the generator can cause severe injury or even death through physical contact with live circuits. Turn all circuit breakers **OFF** before performing maintenance on the generator.
- **NEVER** lubricate components or attempt service on a running machine.
- **ALWAYS** disconnect the **NEGATIVE battery terminal** before performing service on the generator.
- Follow all Battery Safety Guidelines listed in this manual when handling or servicing the generator.
- **ALWAYS** allow the machine a proper amount of time to cool before servicing.
- Keep the machinery in proper running condition.
- Fix damage to the machine immediately and always replace broken parts.
- **ALWAYS** service air cleaner frequently to prevent engine malfunction.

WARNING - BURN HAZARDS

To prevent burns, **DO NOT** touch or open any of the below mentioned components while the engine is running or immediately after operations. Always allow sufficient time for the engine and generator to cool before performing maintenance.

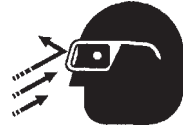


- **Radiator Cap** - Removing the radiator cap while the engine is hot will result in high pressurized, boiling water to gush out of the radiator, causing severe scalding to any persons in the general area of the generator.
- **Coolant Drain Plug** - Removing the coolant drain plug while the engine is hot will result in hot coolant gushing out of the coolant drain plug, therefore causing severe scalding to any persons in the general area of the generator.
- **Engine Oil Drain Plug** - Removing the engine oil drain plug while the engine is hot will result in hot oil gushing out of the oil drain plug, therefore causing severe scalding to any persons in the general area of the generator.

Battery Safety

Use the following guidelines when handling the battery:

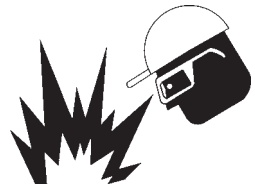
- The battery contains acids that can cause injury to the eyes and skin. To avoid eye irritation, **always** wear safety glasses.
- Use well insulated gloves when picking up the battery.



! DANGER - EXPLOSION HAZARDS

The risk of an explosion exists when performing service on the battery. To avoid **severe injury** or **DEATH**:

- **DO NOT** drop the battery. There is the possibility of risk that the battery may explode.
- **DO NOT** expose the battery to open flames, sparks, cigarettes etc. The battery contains combustible gases and liquids. If these gases and liquids come in contact with a flame or spark, an explosion could occur.



- **ALWAYS** keep the battery charged. If the battery is not charged a buildup of combustible gas will occur.
- **ALWAYS** keep battery charging and cables in good working condition. Repair or replace all worn cables.
- **ALWAYS** recharge the battery in an vented air environment, to avoid risk of a dangerous concentration of combustible gases.
- In case the battery liquid (dilute sulfuric acid) comes in contact with **clothing or skin**, rinse skin or clothing immediately with plenty of water.
- In case the battery liquid (dilute sulfuric acid) comes in contact with your **EYES**, rinse eyes immediately with plenty of water and contact the nearest doctor or hospital to seek medical attention.

DCA-100SSVU — RULES FOR SAFE OPERATION

Towing & Transporting Safety

To reduce the possibility of an accident while transporting the generator on public roads, always make sure the trailer that supports the generator and the towing vehicle are in good operating condition and both units are mechanically sound.

The following list of safety precautions should be followed when towing your generator:

CAUTION - FOLLOW TOWING REGULATIONS

Check with your local county or state safety towing regulations, in addition to meeting **Department of Transportation (DOT) Safety Towing Regulations**, before towing your generator.

- **ALWAYS** shutdown engine before transporting.
- Tighten both fuel tank caps securely.
- If generator is mounted on a trailer, make sure trailer complies with all local and state safety transportation laws. Follow the listed **Towing & Transporting Safety** guidelines for basic towing techniques.
- Make sure the hitch and coupling of the towing vehicle are rated equal to, or greater than the trailer "gross vehicle weight rating."
- **ALWAYS** inspect the hitch and coupling for wear. **NEVER** tow a trailer with defective hitches, couplings, chains etc.
- Check the tire air pressure on both towing vehicle and trailer. **Trailer tires should be inflated to 50 psi cold.** Also check the tire tread wear on both vehicles.
- **ALWAYS** make sure the trailer is equipped with a "Safety Chain".
- **ALWAYS** attach trailer's safety chains to towing vehicle properly.
- **ALWAYS** make sure the vehicle and trailer directional, backup, brake, and trailer lights are connected and working properly.
- DOT Requirements include the following:
 - Connect and test electric brake operation.
 - Secure portable power cables in cable tray with tie wraps.

- The maximum speed for highway towing is **55 MPH** unless posted otherwise. Recommended off-road towing is not to exceed **15 MPH** or less depending on type of terrain.
- Place **chock blocks** underneath wheel to prevent **rolling**, while parked.
- Use the trailer's swivel jack to adjust the trailer height to a level position while parked.
- Avoid sudden stops and starts. This can cause skidding, or jack-knifing. Smooth, gradual starts and stops will improve towing.
- Avoid sharp turns.
- Trailer should be adjusted to a level position at all times when towing.
- Raise and lock trailer wheel stand in up position when transporting.
- The maximum speed for highway towing is **55 MPH** unless posted otherwise. Recommended off-road towing is not to exceed **15 MPH** or less depending on type of terrain.
- Place **support blocks** underneath the trailer's bumper to prevent **tipping**, while parked.
- Avoid sharp turns to prevent rolling.
- **DO NOT** transport generator with fuel in tank.

Emergencies

- **ALWAYS** know the location of the nearest **fire extinguisher**.
- **ALWAYS** know the location of the nearest and **first aid kit**.
- **ALWAYS** know the location of the nearest phone or **keep a phone on the job site**, in case of emergencies.
- **ALWAYS** have easy access to the phone numbers of the nearest **Ambulance, Doctor** and **Fire Department**. This information will be invaluable in the case of an emergency.



DCA-100SSVU — GENERATOR DECALS

The DCA-100SSVU generator is equipped with a number of safety decals (Figures 2 & 3). These decals are provided for operator safety and maintenance information. The illustration below and on the preceding page show the decals as they appear on the machine. Should any of these decals become unreadable, replacements can be obtained from your dealer.

OPERATING PROCEDURES

Manual Starting

1. Check the engine oil, coolant, and fuel levels. Replenish if necessary.
2. Place all Generator Circuit Breakers in the "OFF" position and close all doors.
3. Check that the Voltage select switch (or the Voltage change-over board) is present at desired voltage.
(In case of generator having multiple voltage ratings.)
4. Set the Engine speed switch to the "LOW" position.
5. Turn the Auto-Off/Reset-Manual switch to the "Manual" position to start the engine. If the engine fails to start in the specified number of attempts, the overcrank lamp will indicate and the Auto-Off/Reset-Manual switch must be returned to the "Off/Reset" position before proceeding.
6. When the engine is ready for starting during cold weather operating conditions, push the water heater button for approximately 30 seconds. Start engine using the Auto-Off/Reset-Manual switch to the "Manual" position. As soon as the engine starts, release the button.
If the engine still does not start, utilize the water heater until water is warm. (If additional water heater is supplied.)
7. After starting, allow the engine to run for 1 or 2 minutes to warm-up. At temperatures below freezing, this time period must be extended to 2 to 4 minutes.
8. When the engine starts, immediately check for abnormal noise, vibration, fluid leakage or any indication of a problem. Check the control panel gauges. If all is normal, let the engine remain at the "Low" position for a short time, depending on the ambient conditions, warm up.
9. After sufficient warm-up time has elapsed, set the Engine speed switch to the "High" position and the unit is ready for operation.
10. Check the NO-Load speed as shown in the table below.
60Hz operation—Approx. 60.0Hz (1800rpm)
11. Adjust the Voltage Regulator to the specified voltage.

Manual Stopping

1. Place the Generator Circuit Breakers in the "OFF" position.
2. Set the Engine speed switch to the "LOW" position, and allow the unit to cool for a few minutes.
3. Turn the Auto-Off/Reset-Manual switch, to the "Off/Reset" position.

Auto Starting/Stopping

1. With the Auto/Manual switch in the Auto position, the Auto Starting/Stopping controller monitors remote start contacts. Closure of the remote start contacts will begin engine cranking. When the contacts are opened cranking will stop. If cranking the engine will stop. All functions for the Automatic shutdown System work as in Manual Starting/stopping.
2. For cold weather conditions utilize the water heater until water is warm. If the engine still does not start, please operate as in Manual Starting.

Emergency Stopping

1. Place the Generator Circuit Breakers in the "OFF" position.
2. Turn the Auto-Off/Reset-Manual switch to the "Off/Reset" position.

M35200010

P/N M3552000103

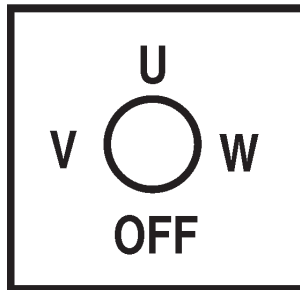
SAFETY INSTRUCTIONS

Improper operation of this machine can cause severe injury or death.

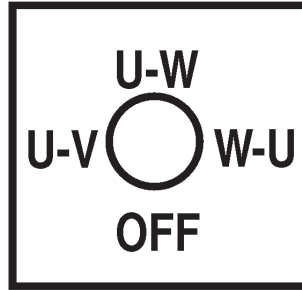
- Read the instruction manual carefully before operating or servicing. This machine should only be operated by a person with sufficient knowledge and skill to ensure safe operation. High voltage circuits are located inside the output terminal cover and control panel.
- Close the cover and control panel before operating. Moving parts and hot surfaces are contained within the enclosure.
- Close all doors and lock them before operating.

M92010030

P/N M9520100304



P/N M9520000104



P/N M9520000204



P/N M950000004



P/N M9510200002

OVER CURRENT RELAY

If it is Impossible to reset the CIRCUIT BREAKER, open the control panel and push the RESET BUTTON as below.

M92020010

P/N M9520200104



P/N M9500300104



P/N M9500300004




P/N M9500500004



P/N M9503000103


Figure 2. Generator Decals

DCA-100SSVU — GENERATOR DECALS

	⚠ WARNING	⚠ WARNING	⚠ WARNING
	ELECTRIC SHOCK HAZARD <ul style="list-style-type: none"> Do not touch output terminals when this machine is operating. Turn power off before servicing 	ELECTRIC SHOCK HAZARD <ul style="list-style-type: none"> Always complete the grounding path from the ground terminal on this genset to an external grounding source. See instruction manual for details. 	<ul style="list-style-type: none"> Before connecting this generator to any building's electrical system, a licensed electrician must install an isolation (transfer) switch. Serious injury or death may result without this transfer switch


M9520 100503

P/N M9520100503

	⚠ WARNING
	HOT COOLANT can cause severe burns. <ul style="list-style-type: none"> Do not remove cap if radiator is hot.

M90310000

P/N M9503100004

	⚠ WARNING
	ENGINE EXHAUST can cause severe injury or death. <ul style="list-style-type: none"> Use only in open, well ventilated areas or vent exhaust outside.

M90320000

P/N M9503200004

DANGER
HIGH VOLTAGE


M9520100401

P/N M9520100404

⚠ CAUTION
Stop engine before switching

M9520100204

P/N M9520100204

	⚠ CAUTION
	MOVING PARTS can cause severe injury. <ul style="list-style-type: none"> Do not operate with doors open. Stop engine before servicing.


M90300000

P/N M9503000004

NOTE
To use 50 amp receptacles, adjust the voltage selector switch to the single phase position and the main line circuit breaker to the on position.


P/N M1500020

P/N M1550000204


	⚠ CAUTION
	<ul style="list-style-type: none"> HOT PARTS can burn skin. Do not touch until the machine has sufficiently cooled.

M91010000

P/N M9510100004

	⚠ WARNING
	ELECTRIC SHOCK HAZARD <ul style="list-style-type: none"> Do not touch output terminals while this machine is operating. Turn power off before servicing.

P/N M9520100503

	⚠ WARNING
	ELECTRIC SHOCK HAZARD <ul style="list-style-type: none"> Do not touch internal wiring or connections while this machine is operating. Turn power off before servicing.

M92010000

P/N M9520100004

⚠ CAUTION
This machine stops and starts Automatically and without notice.

P/N B15200010

P/N B15200010

Figure 3. Generator Decals (Cont inued)

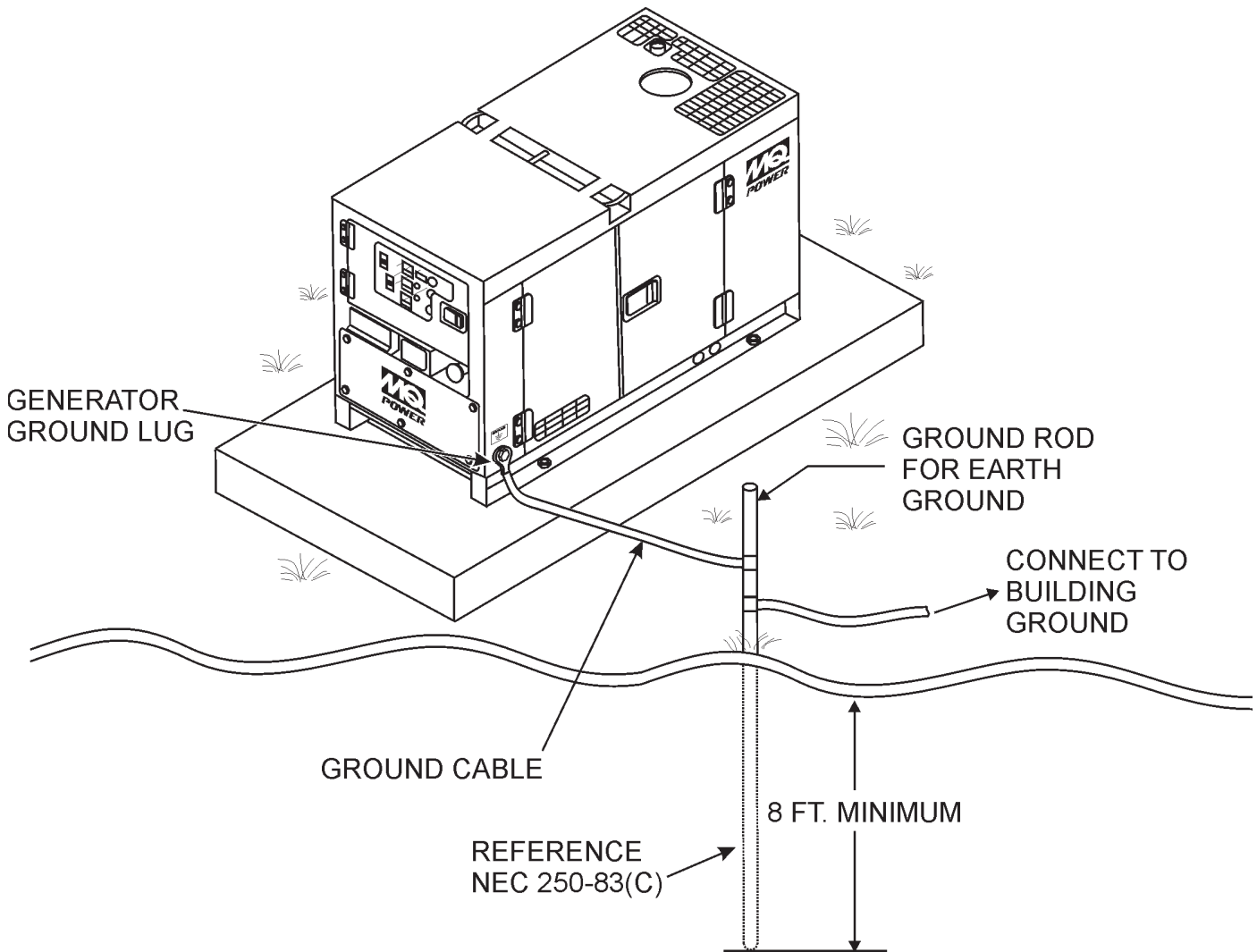


Figure 4. Typical Generator Grounding Application

Outdoor Installation

Install the generator in a area that is free of debris, bystanders, and overhead obstructions. Make sure the generator is on secure level ground so that it cannot slide or shift around. Also install the generator in a manner so that the exhaust will not be discharged in the direction of nearby homes.

The installation site must be relatively free from moisture and dust. All electrical equipment should be protected from excessive moisture. Failure to do will result in deterioration of the insulation and will result in short circuits and grounding.

Foreign materials such as dust, sand, lint and abrasive materials have a tendency to cause excessive wear to engine and alternator parts.

CAUTION - EXHAUST HAZARD

Pay close attention to ventilation when operating the generator inside tunnels and caves. The engine exhaust contains noxious elements. Engine exhaust must be routed to a ventilated area.

Indoor Installation

Exhaust gases from diesel engines are extremely poisonous. Whenever an engine is installed indoors the exhaust fumes must be vented to the outside. The engine should be installed at least two feet from any outside wall. Using an exhaust pipe which is too long or too small can cause excessive back pressure which will cause the engine to heat excessively and possibly burn the valves.

Mounting

The generator must be mounted on a solid foundation (such as concrete) and set firmly on the foundation to isolate vibration of the generator when it is running. The generator must set at least 6 inches above the floor or grade level (in accordance to NFPA 110, Chapter 5-4.1). **DO NOT** remove the metal skids on the bottom of the generator. They are to resist damage to the bottom of the generator and to maintain alignment.

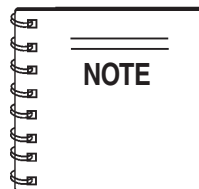
Generator Grounding

To guard against electrical shock and possible damage to the equipment, it is important to provide a good **EARTH** ground.

Article 250 (Grounding) of the National Electrical Code (NEC) provides guide lines for proper grounding and specifies that the cable ground shall be connected to the grounding system of the building as close to the point of cable entry as practical.

NEC articles 250-64(b) and 250-66 set the following grounding requirements:

1. Use one of the following wire types to connect the generator to earth ground.
 - a. Copper - 10 AWG (5.3 mm²) or larger.
 - b. Aluminum - 8 AWG (8.4 mm²) or larger.
2. When grounding the generator (Figure 4) connect the ground cable between the lock washer and the nut on the generator and tighten the nut fully. Connect the other end of the ground cable to earth ground.
3. NEC article 250-52(c) specifies that the earth ground rod should be buried a minimum of 8 ft. into the ground.



When connecting the generator to any buildings electrical system **ALWAYS** consult with a licensed electrician.

DCA-100SSVU Whisperwatt™ Series Familiarization

Generator

The MQ Power Model DCA-100SSVU is a 80 kW **generator** (Figure 5) that is designed as a high quality portable (requires a trailer for transport) power source for telecom sites, lighting facilities, power tools, submersible pumps and other industrial and construction machinery.

Engine Operating Panel

The "Engine Operating Panel" is provided with the following:

- Tachometer
- Water Temperature Gauge
- Oil Pressure Gauge
- Charging Ammeter Gauge
- Fuel Level Gauge
- Engine Speed Switch
- Panel Light/Panel Light Switch
- Auto ON/OFF Engine Controller (MPEC)

Generator Control Panel

The "Generator Control Panel" is provided with the following:

- Frequency Meter (Hz)
- AC Ammeter (Amps)
- AC Voltmeter (Volts)
- Ammeter Change-Over Switch
- Voltmeter Change-Over Switch
- Voltage Regulator
- 3-Pole, 250 amp Main Circuit Breaker
- "Control Box" (located behind the Gen. Control Panel)
 - Automatic Voltage Regulator
 - Current Transformer
 - Over-Current Relay
 - Voltage Rectifier
 - Starter Relay
 - Engine Controller (Computer Controlled)
 - Voltage Selector Switch

Output Terminal Panel

The "Output Terminal Panel" is provided with the following:

- Three 120/240V output receptacles (CS-6369), 50A
- Three auxilliary circuit breakers, 50A
- Two 120V output receptacles (GFCI), 20A
- Two GFCI circuit breakers, 20A
- Five output terminal lugs (3Ø power)
- Battery Charger (Optional)
- Water Heater (Optional)

Open Delta Excitation System

The DCA-100SSVU generator is equipped with the state of the art "**Open-Delta**" excitation system. The open delta system consist of an electrically independent winding wound among stationary windings of the AC output section.

There are four connections of the open delta A, B, C and D. During steady state loads, the power from the voltage regulator is supplied from the parallel connections of A to B, A to D, and C to D. These three phases of the voltage input to the voltage regulator are then rectified and are the excitation current for the exciter section.

When a heavy load, such as a motor starting or a short circuit occurs, the automatic voltage regulator (AVR) switches the configuration of the open delta to the series connection of B to C. This has the effect of adding the voltages of each phase to provide higher excitation to the exciter section and thus better voltage response during the application of heavy loads.

The connections of the AVR to the AC output windings are for sensing only. No power is required from these windings.

The open-delta design provides virtually unlimited excitation current, offering maximum motor starting capabilities. The excitation does not have a "**fixed ceiling**" and responds according the demands of the required load.

Engine

The **DCA-100SSVU** is powered by a 6 cylinder, water cooled, direct injection, turbocharged **VOLVO Model PENTA TAD520GE Diesel Engine**. This engine is designed to meet every performance requirement for the generator. Reference Table 1 for engine specifications.

In keeping with MQ Power's policy of constantly improving its products, the specifications quoted herein are subject to change without prior notice.

Electric Governor System

The electric governor system controls the RPMs of the engine. When the engine demand increases or decreases, the governor system regulates the frequency variation to $\pm 0.25\%$.

Extension Cables

When electric power is to be provided to various tools or loads at some distance from the generator, extension cords are normally used. Cables should be sized to allow for distance in length and amperage so that the voltage drop between the generator and point of use (load) is held to a minimum. Use the cable selection chart (Table 6) as a guide for selecting proper extension cable size.

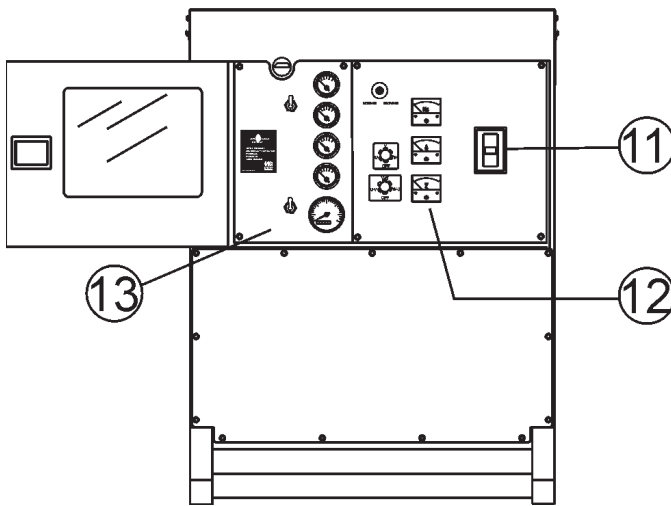
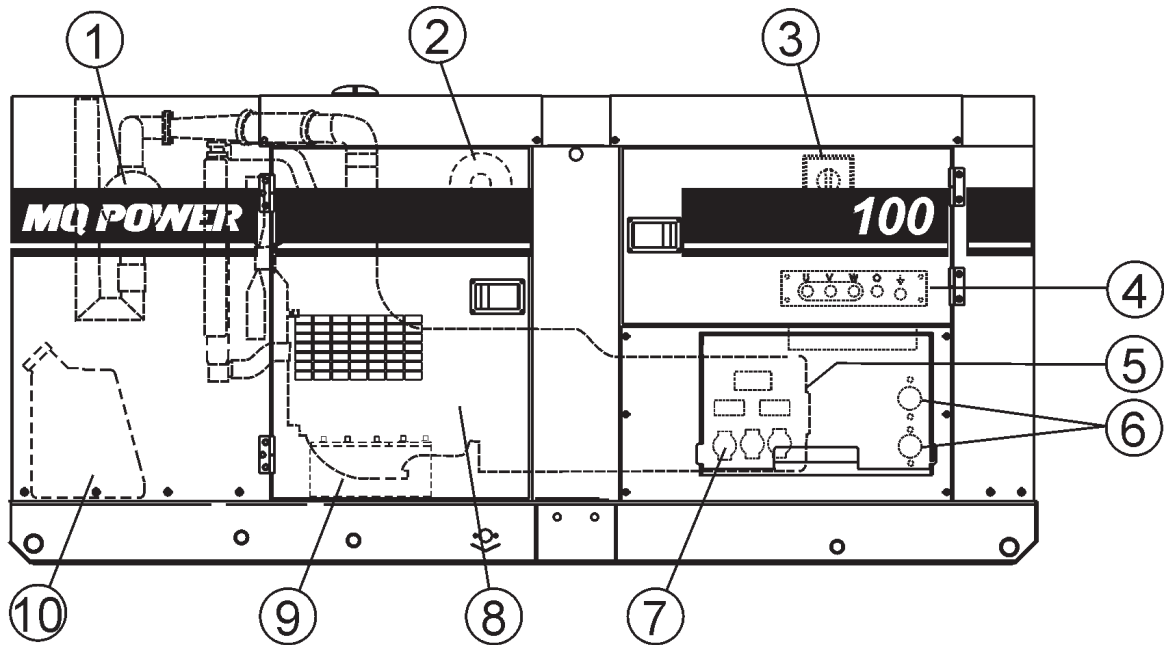


Figure 5. Major Components

Table 4. Generator Major Components

ITEM NO.	DESCRIPTION
1	Air Filter Assembly
2	Voltage Selector Switch Assembly
3	Air Filter Assembly
4	Generator Assembly
5	Jacket Water Heater/Battery Charger Assembly (Option)
6	Output Receptacles Assembly
7	Engine Assembly
8	Battery Assembly
9	Fuel Tank Assembly
10	Circuit Breaker Assembly
11	Generator Control Panel Assembly
12	Engine Control Panel Assembly

DCA-100SSVU — GENERATOR CONTROL PANEL

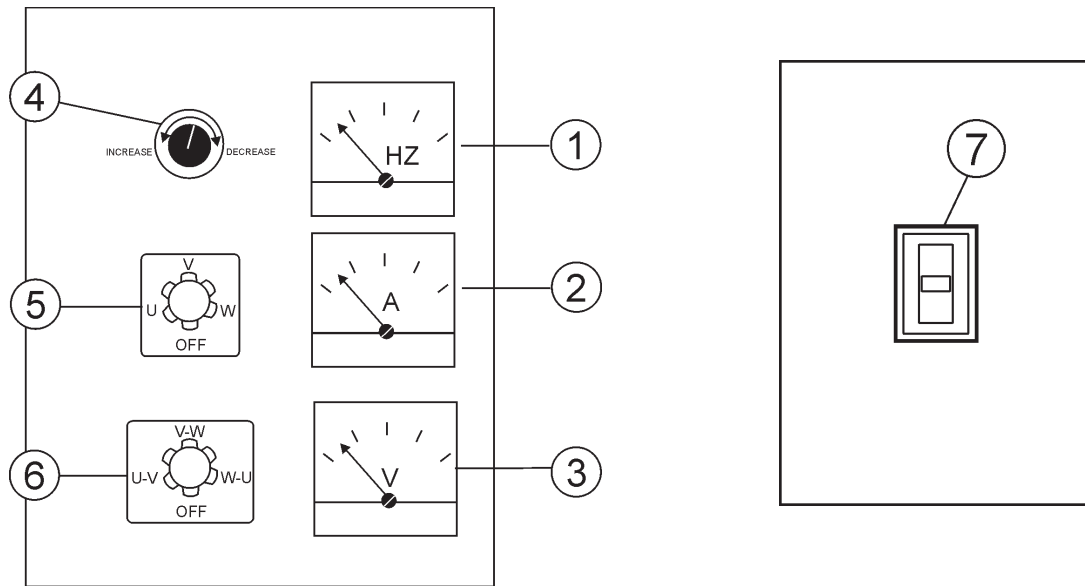


Figure 6. Generator Control Panel

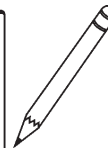
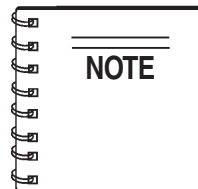
The definitions below describe the controls and functions of the DCA-100SSVU **Generator Control Panel** (Figure 6).

1. **Frequency Meter** – Indicates the output frequency in hertz (Hz). Normally 60 Hz.
2. **AC Ammeter** – Indicates the amount of current the load is drawing from the generator per leg selected by the ammeter phase-selector switch.
3. **AC Voltmeter** – Indicates the output voltage present at the **U, V, and W Output Terminal Lugs**.
4. **Voltage Regulator Control** – Allows $\pm 15\%$ manual adjustment of the generator's output voltage.
5. **Ammeter Change-Over Switch** – This switch allows the AC ammeter to indicate the current flowing to the load connected to any phase of the output terminals, or to be switched off. This switch does not effect the generator output in any fashion, it is for current reading only.
6. **Voltmeter Change-Over Switch** – This switch allows the AC voltmeter to indicate phase to phase voltage between any two phases of the output terminals or to be switched off.
7. **Main Circuit Breaker** – This three-pole, 250A main breaker is provided to protect the the **U, V, and W Output Terminal Lugs** from overload.

Located behind the generator control panel is the **Generator Control Box**. This box contains some of the necessary electronic components required to make the generator function.

The **Control Box** is equipped with the following major components:

- Over-Current Relay
- Voltage Rectifier (AVR)
- Starter Relay
- Current Transformer
- Voltage Selector Switch
- Three Phase Circuit Breaker



Remember the **overcurrent relay** monitors the current flowing from the **U, V, and W Output Terminal Lugs** to the load.

In the event of a short circuit or over current condition, it will automatically trip the 250 amp main breaker.

To restore power to the **Output Terminal Panel**, press the **reset** button on the overcurrent relay and place the **main** circuit breaker in the **closed** position (**ON**).

DCA-100SSVU — ENGINE OPERATING PANEL

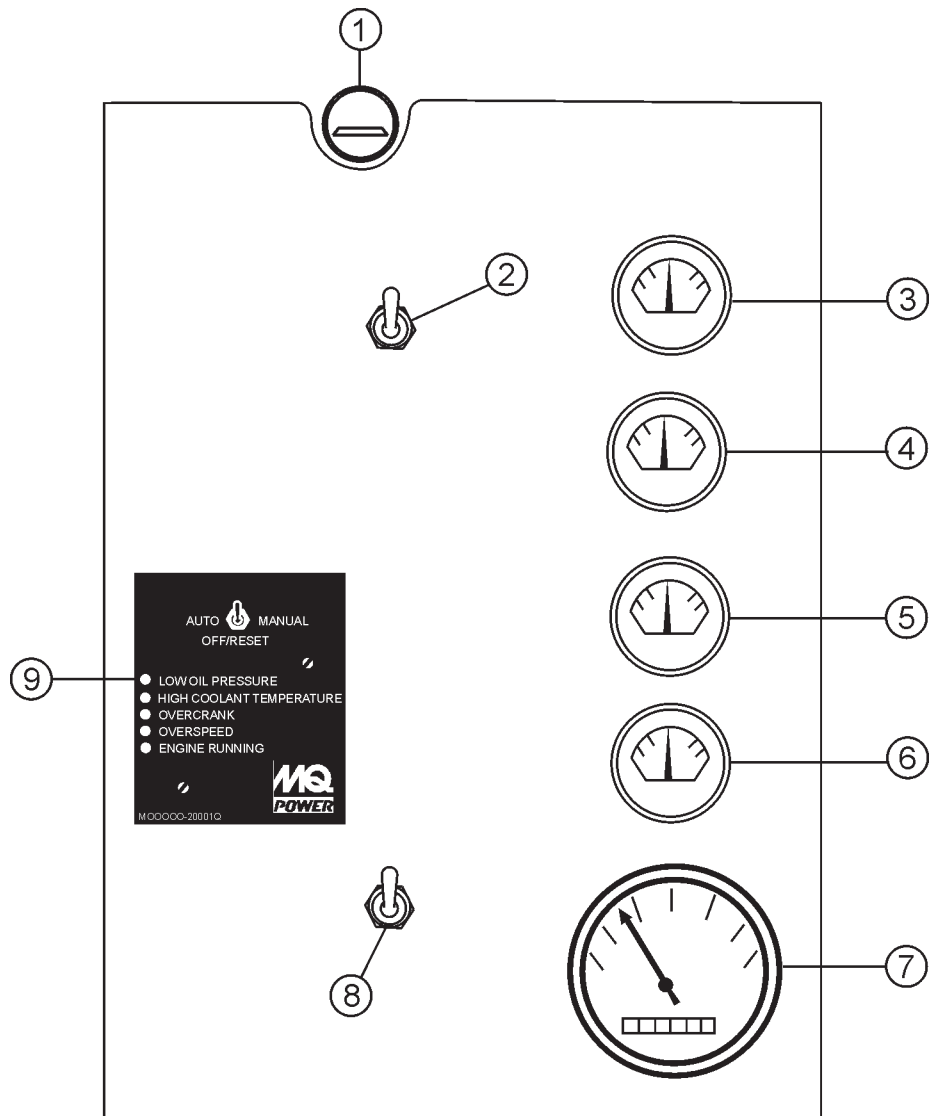
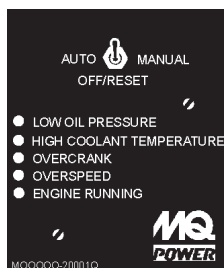


Figure 7. Engine Operating Panel

DCA-100SSVU — ENGINE OPERATING PANEL

The definitions below describe the controls and functions of the DCA-100SSVU **Engine Operating Panel** (Figure 7).

1. **Panel Light** – Normally used in dark areas or at night time. When activated, panel lights will illuminate. When the generator is not in use be sure to turn the panel light switch to the **OFF** position.
2. **Panel Light Switch** – When activated will turn on control panel light.
3. **Oil Pressure Gauge** – During normal operation this gauge be should read between 44 to 73 psi. (303~503 kPa). When starting the generator the oil pressure may read a little higher, but after the engine warms up the oil pressure should return to the correct pressure range.
4. **Water Temperature Gauge** – During normal operation this gauge be should read between 165° and 203°F.
5. **Charging Ammeter Gauge** – Indicates the current being supplied by the engine's alternator which provides current for generator's control circuits and battery charging system.
6. **Fuel Gauge** - Indicates amount of diesel fuel available.
7. **Tachometer** – Indicates engine speed in RPM's for 60 Hz operation. This meter should indicate 1800 RPM's when the rated load is applied. In addition a built in hour meter will record the number of operational hours that the generator has been in use.
8. **Engine Speed Switch** – This switch controls the speed of the engine (low/high).
9. **Auto On/Off Engine Controller (MPEC) –**
This controller has a vertical row of status LED's (inset), that when lit, indicate that an engine malfunction (fault) has been detected. When a fault has been detected the engine controller will evaluate the fault and all major faults will shutdown the generator. During **cranking cycle**, The MPEC will attempt to crank the engine for 10 seconds before disengaging.



If the engine does not engage (start) by the third attempt, the engine will be shutdown by the engine controller's **Over Crank Protection** mode. If the engine engages at a speed (RPM's) that is not safe, the controller will shutdown the engine by initializing the **Over Speed Protection** mode.

Also the engine controller will shut down the engine in the event of low oil pressure, high coolant temperature, low coolant level, and loss of magnetic pickup. These conditions can be observed by monitoring the **LED** status indicators on the front of the controller module.

A. MPEC Control Switch – This switch controls the running of the unit. If this switch is set to the **OFF/RESET** position, the unit will not run. When this switch is set to the **MANUAL** position, the generator will start immediately.

If the generator is to be connected to a building's AC power source via an automatic transfer switch (isolation), place the switch in the **AUTO** position. In this position, should an outage occur, the automatic transfer switch (ATS) will start the generator automatically via the generator's auto-start contacts connected to the ATS's start contacts. Please refer to your ATS installation manual for further instructions for the correct installation of the auto-start contacts of the generator to the ATS.

B. Low Oil Pressure – Indicates the engine pressure has fallen below 15 psi. The oil pressure is detected using variable resistive values from the oil pressure sending unit. This is considered a **major** fault.

C. High Coolant Temperature – Indicates the engine temperature has exceeded 239°F. The engine temperature is detected using variable resistive values from the temperature sending unit. This is considered a **major** fault.

D. Overcrank Shutdown – Indicates the unit has attempted to start a pre-programmed number of times, and has failed to start. The number of cycles and duration are programmable. It is pre-set at 3 cycles with a 10 second duration. This is considered a **major** fault.

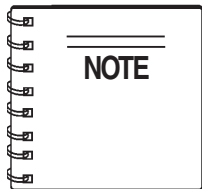
E. Overspeed Shutdown – Indicates the engine is running at an unsafe speed. This is considered a **major** fault.

F. Engine Running – Indicates that engine is running at a safe operating speed.

DCA-100SSVU — OUTPUT TERMINAL PANEL FAMILIARIZATION

Output Terminal Panel

The **Output Terminal Panel** (Figure 8) shown below is located on the right-hand side (left from control panel) of the generator. Lift up on the cover to gain access to receptacles and terminal lugs.



Terminal legs "O" and "Ground" are considered **bonded grounds**.

Output Terminal Familiarization

The "**Output Terminal Panel**" (Figure 8) is provided with the following:

- Three (3) 120/240V output receptacles @ 50 amp
- Three (3) Circuit Breakers @ 50 amps
- Two (2) 120V GFCI receptacles @ 20 amp
- Two (2) GFCI Circuit Breakers @ 20 amps
- Five (5) Output Terminal Lugs (U, V, W, O, Ground)

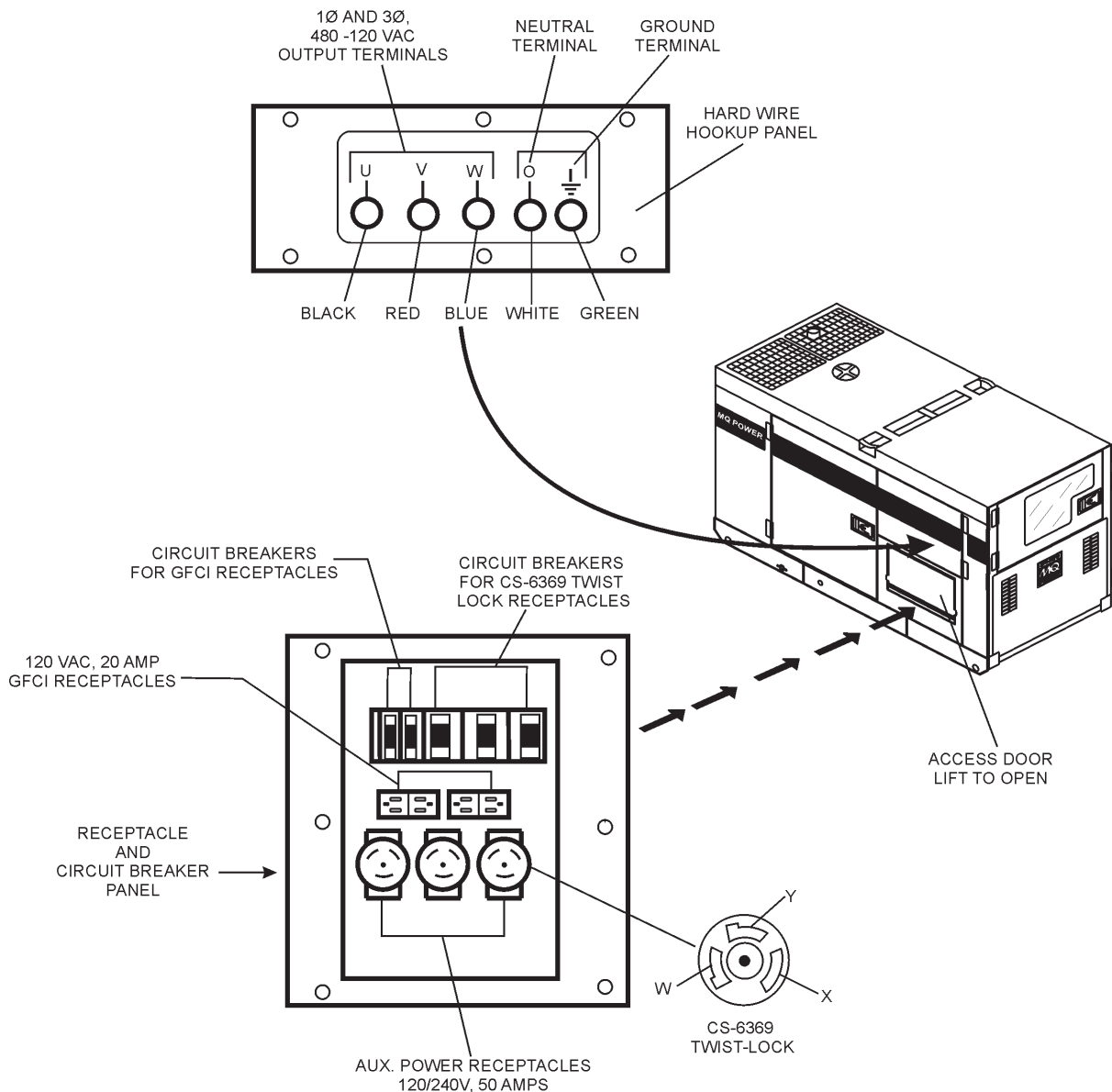


Figure 8. Output Terminal Panel

DCA-100SSVU — OUTPUT TERMINAL PANEL FAMILIARIZATION

100 VAC GFCI Receptacles

There are two 120 VAC, 20 amp GFCI (Duplex Nema 5-20R) receptacles provided on the output terminal panel. These receptacles can be accessed in **any voltage selector switch** position. Each receptacle is protected by a 20 amp circuit breaker. These breakers are located directly above the GFCI receptacles. Remember the load output (current) of both GFCI receptacles is dependent on the load requirements of the U, V, and W output terminal lugs.

Pressing the **reset** button resets the GFCI receptacle after being tripped. Pressing the **Test Button** (See Figure 9) in the center of the receptacle will check the GFCI function. Both receptacles should be tested at least once a month.

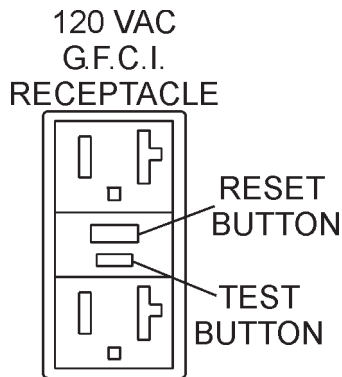


Figure 9. G.F.C.I. Receptacle

Twist Lock Dual Voltage 120/240 VAC Receptacles

There are three 120/240V, 50 amp auxiliary twist-lock (CS-6369) receptacles (Figure 10) provided on the output terminal panel. These receptacles can **only** be accessed when the voltage selector switch is placed in the **single-phase 240/120 position**.

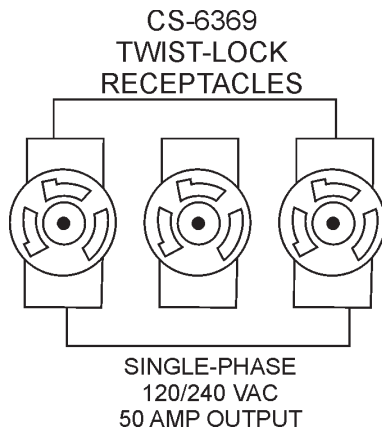


Figure 10. 120/240V Twist-Lock Auxiliary Receptacles

Each auxilliary receptacle is protected by a 50 amp circuit breaker. These breakers are located directly above the GFCI receptacles. Remember the load output (current) on all three receptacles is dependent on the load requirements of the **Output Terminal Lugs**.

Turn the **voltage regulator control knob** (Figure 11) on the control panel to obtain the desired voltage. Turning the knob clockwise will **increase** the voltage, turning the knob counter-clockwise will **decrease** the voltage.



Figure 11. Voltage Regulator Control Knob

Removing the Plastic Face Plate (Hard Wire Hookup Panel)

The **Output Terminal Lugs** are protected by a plastic face plate cover (Figure 12). Un-screw the securing bolts and lift the plastic terminal cover to gain access to the terminal enclosure.

After the load wires have been securely attached to the terminal lugs, reinstall the plastic face plate.

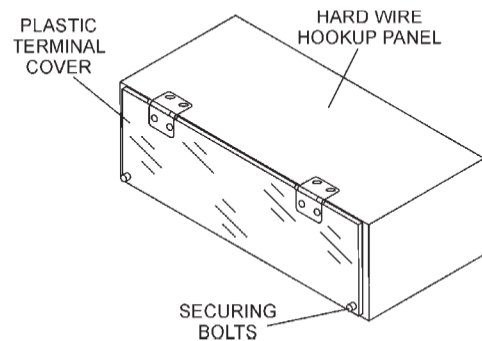


Figure 12. Plastic Face Plate (Output Terminal Lugs)

DCA-100SSVU — OUTPUT TERMINAL PANEL FAMILIARIZATION

Connecting Loads

Loads can be connected to the generator by the **Output Terminal Lugs** or the convenience receptacles (Figure 13). Make sure to read the operation manual before attempting to connect a load to the generator.

To protect the output terminals from overload, a 3-pole, 250A **main** circuit breaker is provided. Make sure to switch **ALL** circuit breakers to the **OFF** position prior to starting the engine.

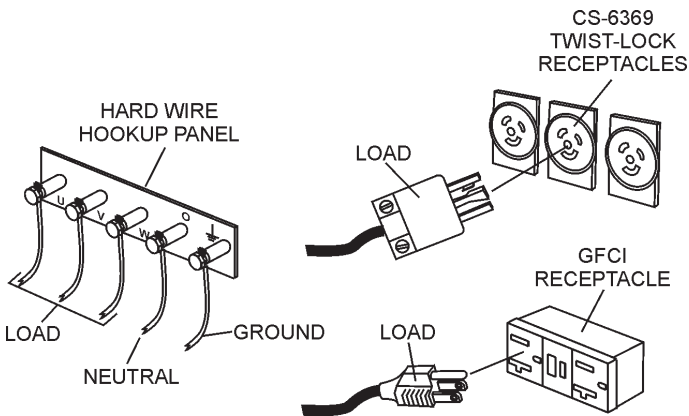


Figure 13. Connecting Loads

Over Current Relay

An **over current relay** (Figure 14) is connected to the main circuit breaker. In the event of an overload, both the circuit breaker and the over current relay may trip. If the circuit breaker can not be reset, the **reset button** on the over current relay must be pressed. The over current relay is located in the control box.

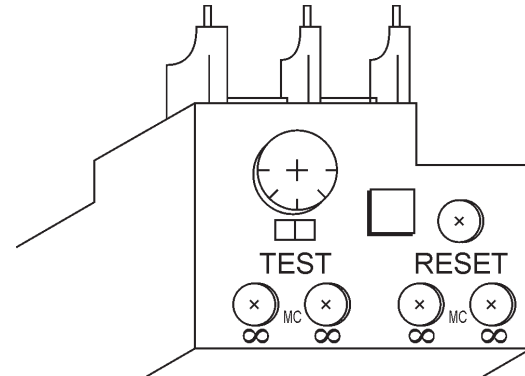


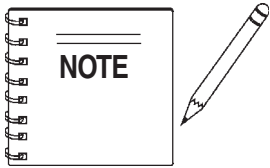
Figure 14. Over Current Relay

DCA-100SSVU — LOAD APPLICATION

Single Phase Load

Always be sure to check the nameplate on the generator and equipment to insure the wattage, amperage, frequency, and voltage requirements are satisfactorily supplied by the generator for operating the equipment.

Generally, the wattage listed on the nameplate of the equipment is its rated output. Equipment may require 130—150% more wattage than the rating on the nameplate, as the wattage is influenced by the efficiency, power factor and starting system of the equipment.



If wattage is not given on the equipment's name plate, approximate wattage may be determined by multiplying nameplate voltage by the nameplate amperage.

$$\text{WATTS} = \text{VOLTAGE} \times \text{AMPERAGE}$$

The power factor of this generator is 0.8. See Table 5 below when connecting loads.

Table 5. Power Factor By Load

Type Of Load	Power Factor
Single-phase induction motors	0.4 - 0.75
Electric heaters, incandescent lamps	1.0
Fluorescent lamps, mercury lamps	0.4 - 0.9
Electronic devices, communication equipment	1.0
Common power tools	0.8

Table 6. Cable Selection (60 Hz, Single Phase Operation)

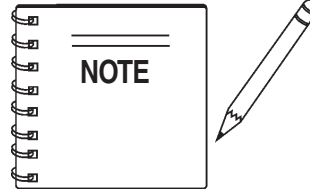
Current in Amperes	Load In Watts		Maximum Allowable Cable Length			
	At 100 Volts	At 200 Volts	#10 Wire	#12 Wire	#14 Wire	#16 Wire
2.5	300	600	1000 ft.	600 ft.	375 ft.	250 ft.
5	600	1200	500 ft.	300 ft.	200 ft.	125 ft.
7.5	900	1800	350 ft.	200 ft.	125 ft.	100 ft.
10	1200	2400	250 ft.	150 ft.	100 ft.	
15	1800	3600	150 ft.	100 ft.	65 ft.	
20	2400	4800	125 ft.	75 ft.	50 ft.	

CAUTION: Equipment damage can result from low voltage.

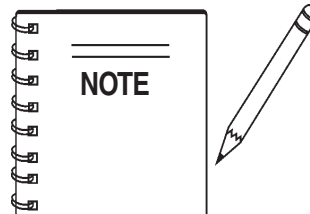
Three Phase Load

When calculating the power requirements for 3-phase power use the following equation:

$$\text{KVA} = \frac{\text{VOLTAGE} \times \text{AMPERAGE} \times 1.732}{1000}$$



If 3Ø load (kVA) is not given on the equipment nameplate, approximate 3Ø load output may be determined by multiplying voltage by amperage by 1.732.



Motors and motor-driven equipment draw much greater current for starting than during operation.

An inadequate size connecting cable which cannot carry the required load can cause a voltage drop which can burn out the appliance or tool and overheat the cable. See Table 6.

- When connecting a resistance load such as an incandescent lamp or electric heater, a capacity of up to the generating set's rated output (kW) can be used.
- When connecting a fluorescent or mercury lamp, a capacity of up to the generating set's rated output (kW) multiplied by 0.6 can be used.
- When connecting an electric drill or other power tools, pay close attention to the required starting current capacity.

When connecting ordinary power tools, a capacity of up to the generating set's rated output (kW) multiplied by 0.8 can be used.

DANGER - ELECTRICAL SYSTEM HAZARDS

Before connecting this generator to any building's electrical system, a **licensed electrician** must install an **isolation (transfer) switch**. Serious damage to the building's electrical system may occur without this transfer switch.

DCA-100SSVU — GENERATOR OUTPUTS

Voltage Selector Switch

The **voltage selector** switch (Figure 16) is located above the output terminal panel's **Hard Wire Hook-up Panel**. It has been provided for ease of voltage selection.

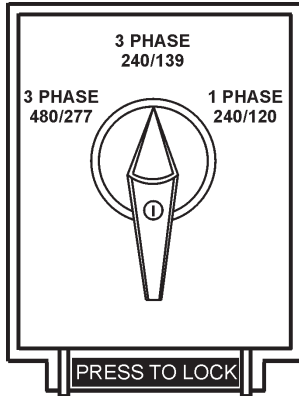


Figure 16. Voltage Selector Switch

Voltage Selector Switch Locking Button

The voltage selector switch has a locking button to protect the generator and load from being switched while the engine is running. To lock the voltage selector switch, **press** and **hold** the **red button** located at the bottom of the switch.

! CAUTION - CHANGING VOLTAGES

NEVER change the position of the **voltage selector switch** while the engine is running. **ALWAYS** place circuit breaker in the open position before selecting voltage.

Generator Output Voltages

A wide range of voltages are available to supply voltage for many different applications. Voltages are selected by using the **voltage selector** switch (Figure 16). To obtain some of the voltages as listed in Table 7 (see below) will require a fine adjustment using the **voltage regulator (VR) control knob** located on the control panel.

Table 7. Voltages Available

	208V	220V	240V	416V	440V	480V
Three Phase (Switchable)						
Single Phase (Switchable)	120V	127V	139V	240V	254V	277V

Generator Amperage

Table 8 describes the generator's current output capability for both 1Ø-phase and 3Ø phase applications.

Table 8. Generator Maximum Amps

Model	DCA100SSVU
Rated Voltage	Maximum Amps
Single Phase 120 Volt	222.2 amps (4 wire)
Single Phase 240 Volt	111.1 amps (4 wire)
Three Phase 240 Volt	241 amps
Three Phase 480 Volt	120 amps

GFCI Receptacle Load Capability

The load capability of the GFCI receptacles is directly related to the voltage being supplied at either the output terminals or the 2 twist lock auxiliary receptacles.

Tables 9 and 10 show what amount of current is available at the GFCI receptacles when the output terminals and twist lock receptacles are in use. Be careful that your load does not to exceed the available current capability at the receptacles.

Table 9. 1Ø GFCI Receptacle Load Capability

KW in Use Twist-Lock (CS6369)	Available Load Current (Amps)
1Ø 240/120V	GFCI Duplex NEMA 5-20R 120V
57.7	0
56.5	5 amps per receptacle
55.3	10 amps per receptacle
54.1	15 amps per receptacle
52.9	20 amps per receptacle

Table 10. 3Ø GFCI Receptacle Load Capability

KVA in Use (UVWO Terminals)	Available Load Current (Amps)
3Ø 240/480V	GFCI Duplex NEMA 5-20R 120V
100	0
95.8	5 amps per receptacle
91.7	10 amps per receptacle
87.5	15 amps per receptacle
83.4	20 amps per receptacle

How to Read the Output Terminal Gauges.

The gauges and selector switches on the control panel **DO NOT** effect the generator output. They are provided to help observe how much power is being supplied at the **Output terminals lugs**.

Before taking a reading off either gauge, set the **Voltage Selector Switch** (Figure 17) to the position which produces the required voltage (For example, for 3Ø 240V, choose the center 3Ø 240/139V position on the voltage selector switch.)

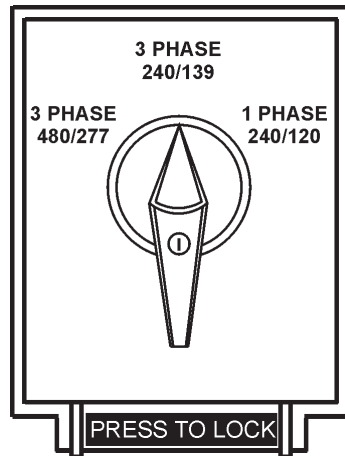
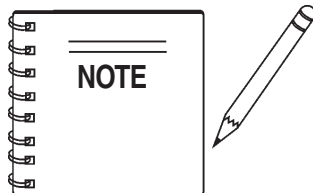


Figure 17. Voltage Selector Switch 240/139V Three Phase Position



For 3Ø 208V/1Ø,120V, place the Voltage Selector Switch in the 3 Phase 340/139 position.

Reading Amperage

To determine the amperage at a terminal lug, set the **AC Ammeter Change-Over Switch** to the appropriate setting (Figure 20) to activate the **AC Ammeter Gauge** (Figure 21) and read the available amperage at the terminal lug.

For example, to measure the amperage at the U terminal lug, set the **AC Ammeter Change-Over Switch** to U and read the **AC Ammeter Gauge**.

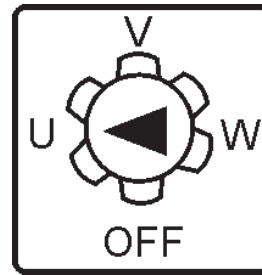


Figure 20. AC Ammeter Change-Over Switch

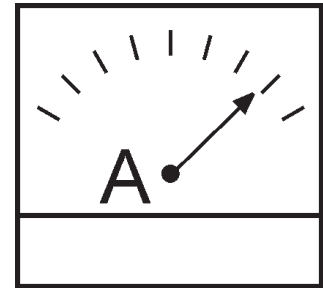
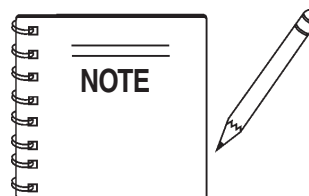


Figure 21. AC Ammeter (Amp reading on U lug)



The **ammeter** gauge will only show a reading when the **Output Terminal Lugs** are connected to a load and in use.

Reading Voltage

To determine the voltage between two terminal lugs, set the **AC Voltmeter Change-Over Switch** to the appropriate setting (Figure 18) to activate the **AC Voltmeter Gauge** (Figure 19) and read the available voltage between the two lugs.

For example, to measure the voltage between the W and U terminal lugs, set the **AC Voltmeter Change-Over Switch** to W-U and read the **AC Voltmeter Gauge**.

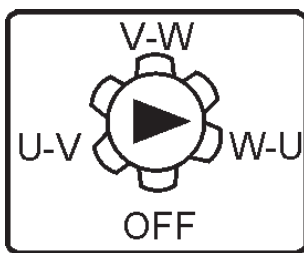


Figure 18. AC Voltmeter Change-Over Switch

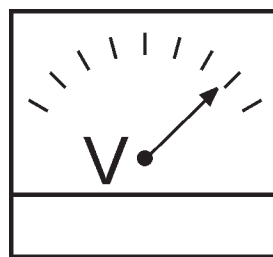


Figure 19. AC Voltmeter Gauge

DCA-100SSVU — OUTPUT TERMINAL PANEL CONNECTIONS

UVWO Terminal Output Voltages

Various output voltages can be obtained using the **Output Terminal Lugs**. The voltages at the terminals are dependent on the position of the **Voltage Selector Switch** and the adjustment of the **Voltage Regulator Control Knob**.

Remember the voltage selector switch determines the **range** of the output voltage. The voltage regulator (VR) allows the user to increase or decrease the selected voltage.

3Ø 240/139V Output Terminal Lug Voltages

1. Place the voltage selector switch in the 3Ø 240/139V position as shown in (Figure 22).

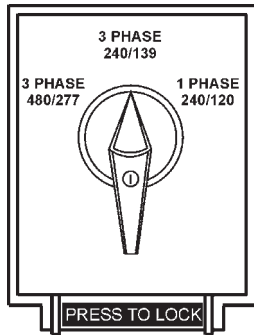


Figure 22. Voltage Selector Switch 240/139V Three-Phase Position

2. Connect the load wires to the **Output Terminal Lugs** as shown in (Figure 23).

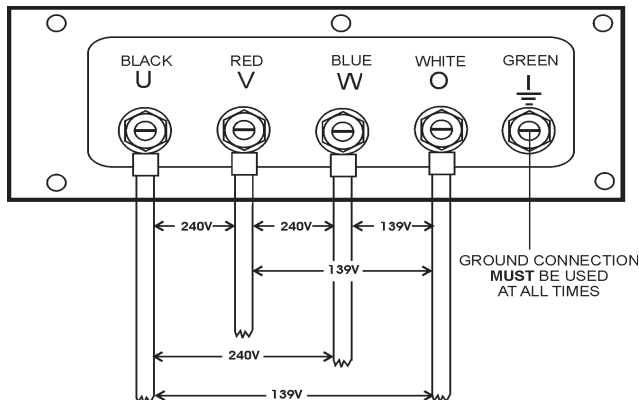


Figure 23. Output Terminal Lugs 240/139V Three Phase Connections

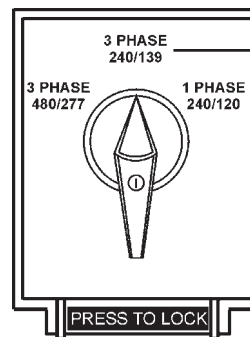
3. Turn the voltage regulator knob (Figure 24) clockwise to increase voltage output, turn counterclockwise to decrease voltage output.



Figure 24. Voltage Regulator Knob (139V/240V)

3Ø 208V/1Ø120V Output Terminal Lug Voltages

1. Place the voltage selector switch in the 3Ø 240/139V position as shown in Figure 25.



Use this position for 3Ø-208 or 1Ø120V.

Figure 25. Voltage Selector Switch 3Ø-208V/1Ø-120V Three-Phase Position

2. Connect the load wires to the **Output Terminal Lugs** as shown in Figure 26.

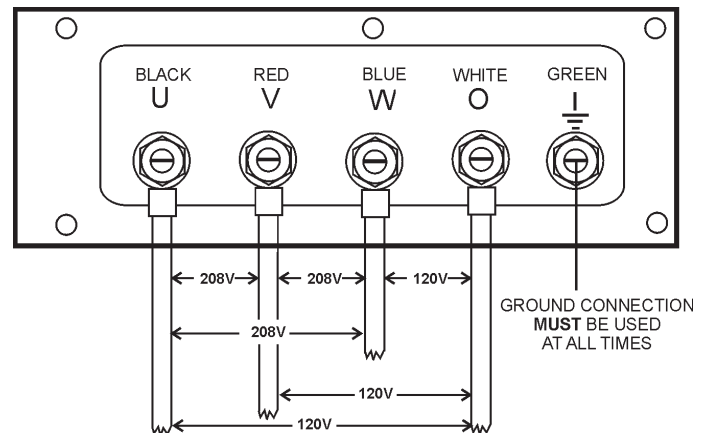
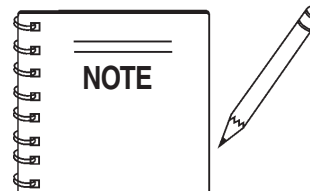


Figure 26. Output Terminal Lugs 3Ø-208V/120V Connections

3. Turn the voltage regulator knob (Figure 25) clockwise to increase voltage output, turn counterclockwise to decrease voltage output.



To achieve a 3Ø 208V output the voltage selector switch must be in the 3Ø-240/139V position and the voltage regulator must be adjusted to 208V.

DCA-100SSVU — OUTPUT TERMINAL PANEL CONNECTIONS

3Ø 480/277 Output Terminal Lug Voltages

1. Place the voltage selector switch in the 3Ø 480/277 position as shown in Figure 27.

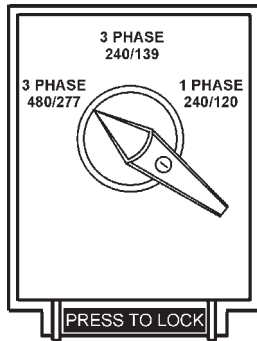


Figure 27. Voltage Selector Switch 480/277V Three-Phase Position

1Ø 240V/120V Output Terminal Lug Voltages

1. Place the voltage selector switch in the 1Ø 240/120 position as shown in Figure 29.

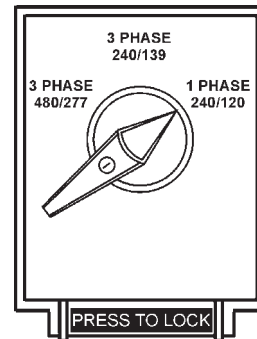


Figure 29. Voltage Selector Switch 240/120V Single-Phase Position

2. Connect the load wires to the **Output Terminal Lugs** as shown in Figure 28.

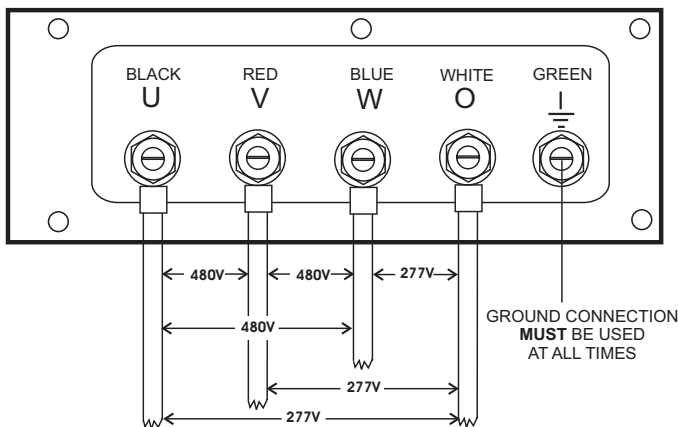


Figure 28. Output Terminal Lugs 480/277V Three Phase Connections

2. Connect the load wires to the **Output Terminal Lugs** as shown in (Figure 30).

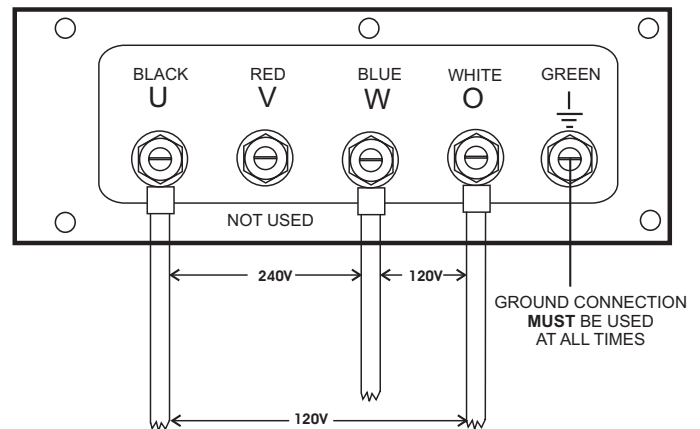


Figure 30. Output Terminal Lugs 1Ø-240V/120V Connections

3. Turn the voltage regulator knob (Figure 24) clockwise to increase voltage output, turn counterclockwise to decrease voltage output.

3. Turn the voltage regulator knob (Figure 24) clockwise to increase voltage output, turn counterclockwise to decrease voltage output.

Circuit Breakers

To protect the generator from an overload, a 3-pole, 250 amp, **main** circuit breaker is provided to protect the **U, V, and W Output Terminals** from overload. In addition two single-pole, 20 amp **GFCI** circuit breakers are provided to protect the GFCI receptacles from overload. Three 50 amp **load** circuit breakers have also been provided to protect the auxiliary receptacles from overload. Make sure to switch **ALL** circuit breakers to the **OFF** position prior to starting the engine.

Lubrication Oil

Fill the engine crankcase with lubricating oil through the filler hole, but **DO NOT** overfill. Make sure the generator is level, and verify that the oil level is maintained between the two notches (Figure 30) on the dipstick. See Table 9 for proper selection of engine oil.

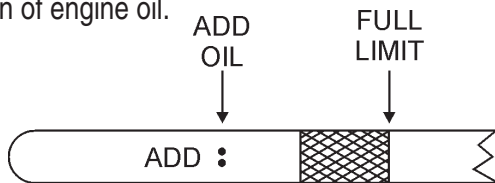


Figure 30. Engine Oil Dipstick

When checking the engine oil, be sure to check if the oil is clean. If the oil is not clean, drain the oil by removing the oil drain plug, and refill with the specified amount of oil as outlined in the **Volvo Engine Owner's Manual**. Oil should be warm before draining.

Other types of motor oils may be substituted if they meet the following requirements:

- API Service Classification CC/SC
- API Service Classification CC/SD
- API Service Classification CC/SE
- API Service Classification CC/SF

Table 11. Recommended Motor Oil		OIL: SAE	
°F	°C		
122	50	10W/40	30
104	40	10W/40	30
86	30	10W/40	30
68	20	10W/40	30
50	10	10W/40	30
32	0	10W/40	30
-14	-10	5W/30	15W/30
-4	-20	5W/30	10W/30
-22	-30	5W/30	10W
-40	-40	ARCTIC OIL	20W/40

Fuel Check

! DANGER - EXPLOSION/FIRE HAZARDS

Fuel spillage on a **hot** engine can cause a **fire** or **explosion**. If fuel spillage occurs, wipe up the spilled fuel completely to prevent fire hazards. **NEVER** smoke around or near the generator.



Refilling the Fuel System

! CAUTION - REFUELING THE GENERATOR

ONLY properly trained personnel who have read and understand this section should refill the fuel tank system.

This generator has an internal fuel tank located inside the trailer frame and may also be equipped with an environmental fuel tank (Figure 31). **ALWAYS** fill the fuel tanks with clean fresh **#2 diesel fuel**. **DO NOT** fill the fuel tanks beyond their capacities.

Pay attention to the fuel tank capacity when replenishing fuel. The fuel tank cap must be closed tightly after filling. Handle fuel in a safety container. If the container does not have a spout, use a funnel. Wipe up any spilled fuel immediately.

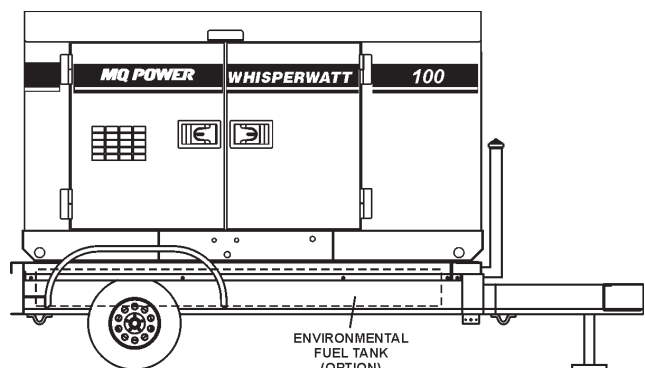


Figure 31. Internal Fuel Tank System

Refueling Procedure:

! WARNING - RESPIRATORY HAZARDS

Diesel fuel and its vapors are dangerous to your health and the surrounding environment. Avoid skin contact and/or inhaling fumes.



1. **Level Tanks** – Make sure fuel cells are level with the ground. Failure to do so will cause fuel to spill from the tank before reaching full capacity (Figure 32).

! CAUTION - REFUELING THE GENERATOR

ALWAYS place trailer on firm level ground before refueling to prevent spilling and maximize the amount of fuel that can be pumped into the tank.

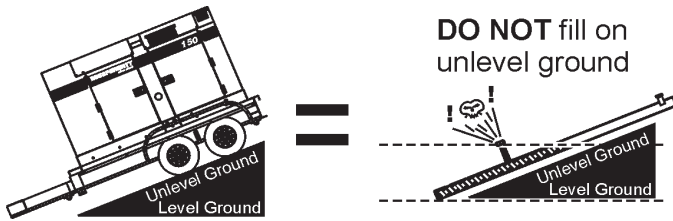
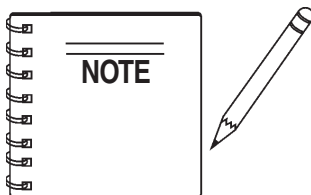


Figure 32. Only Fill on Level Ground



ONLY! use #2 diesel fuel when refueling.

3. Open cabinet doors on the “right side” of the generator (from generator control panel position). Remove fuel cap and fill tank (Figure 33).

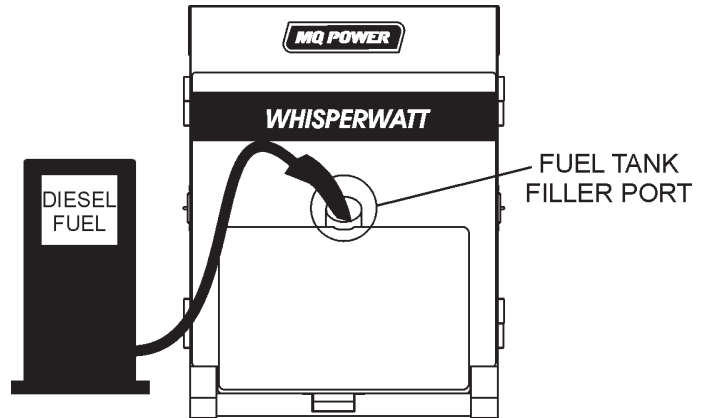


Figure 33. Fueling the Generator

3. **NEVER** overfill fuel tank – It is important to read the fuel gauge when filling trailer fuel tank. **DO NOT** wait for fuel to rise in filler neck (Figure 34).

FUEL GAUGE LOCATED ON CONTROL PANEL

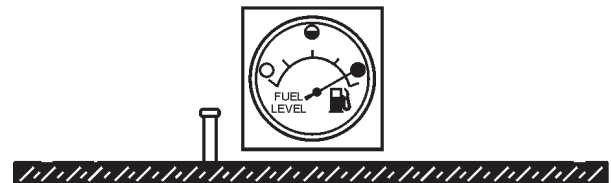


Figure 34. Full Fuel Tank

! CAUTION - REFUELING THE GENERATOR

DO NOT OVER-FILL fuel system. Leave room for fuel expansion. Fuel expands when heated (Figure 35).




Figure 35. Fuel Expansion

Coolant (Antifreeze/Summer Coolant/Water)

VOLVO recommends VOLVO antifreeze/summer coolant for use in their engines, which can be purchased in concentrate (and mixed with 50% demineralized water) or pre-diluted. See the **VOLVO Engine Owner's Manual** for further details.

! WARNING - BURN HAZARDS

If adding coolant/antifreeze mix to the radiator, **DO NOT** remove the radiator cap until the unit has completely cooled. The possibility of **hot!** coolant exists which can cause severe burns.



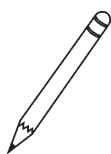
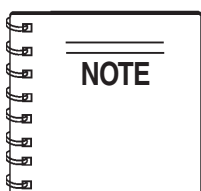
Day-to-day addition of coolant is done from the recovery tank. When adding coolant to the radiator, **DO NOT** remove the radiator cap until the unit has completely cooled. See Table 12 for engine, radiator, and recovery tank coolant capacities. Make sure the coolant level in the recovery tank is always between the "H" and the "L" markings.

Component	Capacity
Engine and Radiator	5.2 Gal. (19.7 liters)
Reserve Tank	2 Quarts (1.9 liters)

Operation Freezing Weather

When operating in freezing weather, be certain the proper amount of antifreeze (Table 13) has been added.

Vol % Anti-Freeze	Freezing Point	
	°C	°F
50	-37	-34



When the antifreeze is mixed with water, the antifreeze mixing ratio **must be** less than 50%.

Cleaning the Radiator

The engine may overheat if the radiator fins become overloaded with dust or debris. Periodically clean the radiator fins with compressed air. Cleaning inside the machine is dangerous, so clean only with the engine turned off and the **negative** battery terminal disconnected.

Air Cleaner

Periodic cleaning/replacement is necessary. Inspect it in accordance with the **VOLVO Engine Owner's Manual**.

Fan Belt Tension

A slack fan belt may contribute to overheating, or to insufficient charging of the battery. Inspect the fan belt for damage and wear and adjust it in accordance with the **VOLVO Engine Owner's Manual**.

The fan belt tension is proper if the fan belt bends 10 to 15 mm (Figure 36) when depressed with the thumb as shown below.

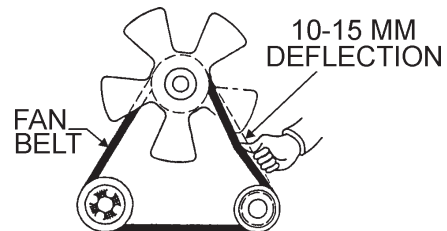




Figure 36. Fan Belt Tension

! CAUTION - ROTATING PARTS

NEVER place hands near the belts or fan while the generator set is running.

Battery

This unit is of negative ground **DO NOT** connect in reverse. Always maintain battery fluid level between the specified marks. Battery life will be shortened, if the fluid level are not properly maintained. Add only distilled water when replenishment is necessary.

DO NOT over fill. Check to see whether the battery cables are loose. Poor contact may result in poor starting or malfunctions. **Always** keep the terminals firmly tightened. Coating the terminals with an approved battery terminal treatment compound. Replace battery with only recommended type battery. The battery type used in this generator is BCI Group 27.

The battery is sufficiently charged if the specific gravity of the battery fluid is 1.28 (at 68° F). If the specific gravity should fall to 1.245 or lower, it indicates that the battery is dead and needs to be recharged or replaced.

Before charging the battery with an external electric source, be sure to disconnect the battery cables.

Battery Cable Installation

ALWAYS be sure the battery cables (Figure 37) are properly connected to the battery terminals as shown below. The **Red Cable** is connected to the positive terminal of the battery, and the **Black Cable** is connected to the negative terminal of the battery.

CAUTION - BATTERY SERVICING SAFETY

ALWAYS disconnect the negative terminal **FIRST** and reconnect negative terminal **LAST**.

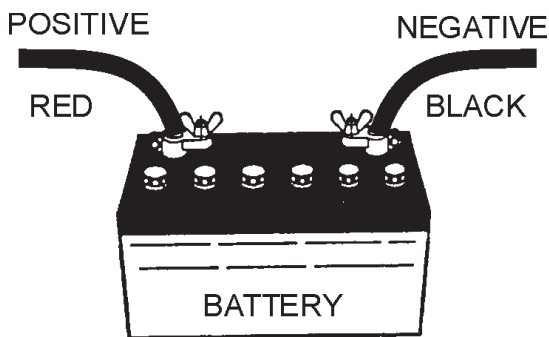
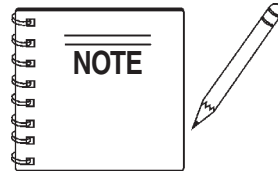


Figure 37. Battery Connections

When connecting battery do the following:

1. **NEVER** connect the battery cables to the battery terminals when the **MPEC Control Switch** is in either the **MANUAL** position. **ALWAYS** make sure that the **MPEC Control Switch** is in the **OFF/RESET** position when connecting the battery.
2. Place a small amount of battery terminal treatment compound around both battery terminals. This will ensure a good connection and will help prevent corrosion around the battery terminals.



If the battery cable is connected incorrectly, electrical damage to the generator will occur. Pay close attention to the polarity of the battery when connecting the battery.

CAUTION - BATTERY SERVICING SAFETY

Inadequate battery connections may cause poor starting of the generator, and create other malfunctions.

Alternator

The polarity of the alternator is negative grounding type. When an inverted circuit connection takes place, the circuit will be in short circuit instantaneously resulting the alternator failure.

DO NOT put water directly on the alternator. Entry of water into the alternator can cause corrosion and damage the alternator.

Wiring

Inspect the entire generator for bad or worn electrical wiring or connections. If any wiring or connections are exposed (insulation missing) replace wiring immediately.

Piping and Hose Connection

Inspect all piping, oil hose, and fuel hose connections for wear and tightness. Tighten all hose clamps and check hoses for leaks.

If any hose (**fuel** or **oil**) lines are defective replace them immediately.

DCA-100SSVU — GENERATOR START-UP PROCEDURE (MANUAL)

Before Starting

⚠ CAUTION - LETHAL EXHAUST HAZARD

The engine's exhaust contains harmful emissions. **ALWAYS have adequate ventilation when operating.** Direct exhaust away from nearby personnel.

⚠ WARNING - STARTING THE GENERATOR

NEVER! manually start the engine with the **main, GFCI** or **auxiliary** circuit breakers in the **ON** (closed) position.

1. Place the **main, G.F.C.I.**, and **aux.** circuit breakers (Figure 38) in the **OFF** position prior to starting the engine.

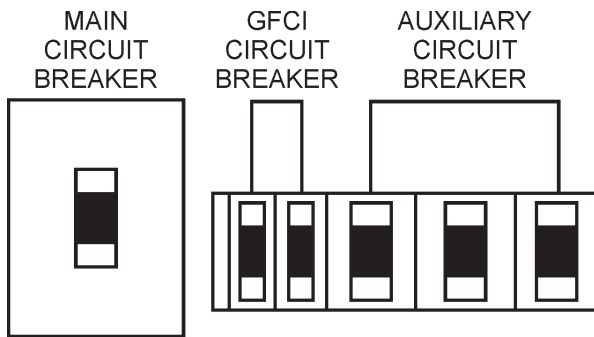


Figure 38. Main, Aux. and GFCI Circuit Breakers (OFF)

2. Make sure the the **voltage change-over board** has been configured for the desired output voltage.
3. Connect the load to the **receptacles** or the **output terminal lugs** as shown in Figure 13. These load connection points can be found on the output terminal panel and the output terminal panel's hard wire hookup panel.
4. The output terminal lugs are protected by a plastic cover. Remove this cover to gain access to the terminals. Tighten terminal nuts securely to prevent load wires from slipping out.
5. Close all engine enclosure doors (Figure 39).

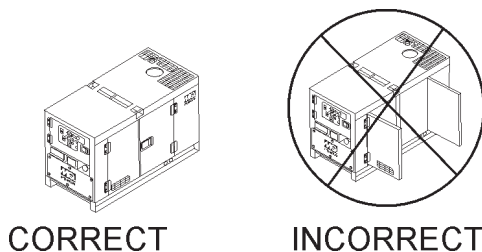


Figure 39. Engine Enclosure Doors

Manual Start-up Procedure

1. Place the engine speed switch (Figure 41) in the "**LOW**" (down) position.



Figure 41. Engine Speed Switch (Low)

2. Once the engine glow plugs have been warmed, place the **MPEC Control Switch** in the **MANUAL** position to start the engine (Figure 42).



Figure 42. MPEC Control Switch (Manual Position)

3. Once the engine starts, let it engine run for 1-2 minutes. Listen for any abnormal noises. If any abnormalities exists shutdown the engine and correct the problem. If the engine is running smoothly, place the engine speed switch (Figure 43) in the "**HIGH**" (up) position.



Figure 43. Engine Speed Switch (High)

4. Verify that the **Engine Running** status LED on the MPEC unit (Figure 44) is **ON** (lit) after the engine has been started.



Figure 44. Engine Running LED (ON)

DCA-100SSVU — GENERATOR START-UP PROCEDURE (MANUAL)

5. The generator's frequency meter (Figure 45) should be displaying the 60 cycle output frequency in **HERTZ**.

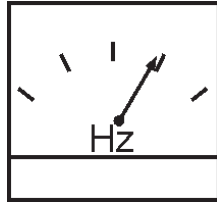


Figure 45. Frequency Meter (Hz)

6. The generator's AC-voltmeter (Figure 47) will display the generator's output in **VOLTS**. If the voltage is not within the specified tolerance, use the voltage adjustment control knob (Figure 47) to increase or decrease the desired voltage.

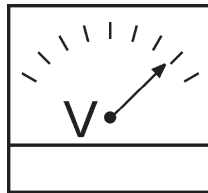


Figure 46. Voltmeter



Figure 47. Voltage Adjust Control Knob

7. The ammeter (Figure 48) will indicate **zero amps** with no load applied. When a load is applied, the ammeter will indicate the amount of current that the load is drawing from the generator.

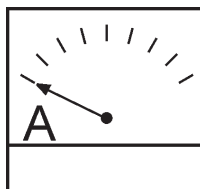


Figure 48. Ammeter (No Load)

8. The engine oil pressure gauge (Figure 49) will indicate the oil pressure of the engine. Under normal operating conditions the oil pressure is approximately 44 to 73 psi. (303~503 kPa). When starting the genera

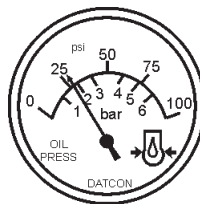


Figure 49. Oil Pressure Gauge

9. The **coolant temperature gauge** (Figure 50) will indicate the coolant temperature. Under normal operating conditions the coolant temperature should be between 165~203 °F (74~95 °C), **Green Zone**.

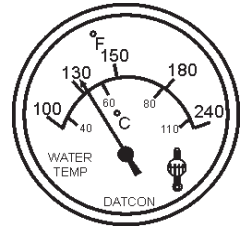


Figure 50. Coolant Temperature Gauge

10. The **tachometer gauge** (Figure 51) will indicate the speed of the engine when the generator is operating. Under normal operating conditions this speed is approximately 1800 RPM's.

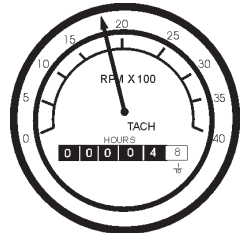


Figure 51. Engine Tachometer Gauge

11. Place the **main**, **GFCI**, and **aux.** circuit breakers in the **ON** position (Figure 52).

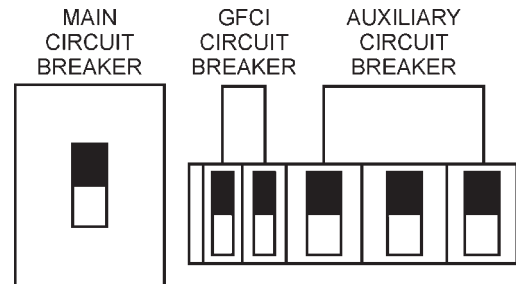


Figure 52. Main, Aux. and GFCI Circuit Breakers (ON)

12. Observe the generator's ammeter (Figure 53) and verify it reads the anticipated amount of current with respect to the load. The ammeter will only display a current reading if a load is in use.

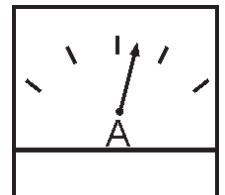


Figure 53. Ammeter (Load)

13. The generator will run until manually stopped or an abnormal condition occurs.

DCA-100SSVU — GENERATOR START-UP PROCEDURE (AUTO MODE)

Starting (Auto Mode)

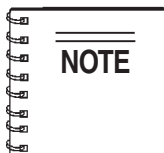
DANGER - ELECTRICAL SYSTEM HAZARDS

Before connecting this generator to any building's electrical system, a **licensed electrician** must install an **isolation (transfer) switch**. Serious damage to the building's electrical system may occur without this transfer switch.



CAUTION - BACKUP GENERATOR USE

When connecting the generator to a isolation (transfer) switch, **ALWAYS** have power applied to the generator's internal battery charger. This will ensure that the engine will not fail due to a dead battery.



When the generator is set in the **AUTO** mode, the generator will **automatically start** in the event of commercial power falling below a prescribed level by means of a contact closure that is generated automatically by a transfer switch.

WARNING - AUTO MODE MAINTENANCE

When running the generator in the **AUTO** mode, remember the generator can start up at any time without warning. **NEVER** attempt to perform any maintenance when the generator is in the auto mode.

CAUTION - ENGINE SPEED SWITCH

The **Engine Speed Switch** **must** be set to the "**High**" position when running in the **Auto-Start** mode. Failing to set the switch in the proper position can result in damage to your generator when it turns on.

When starting generator in **AUTO** mode use the "**Manual Start-up**" procedure except where noted (see below).

1. Perform steps 1 through 5 in the **Before Starting** section.
2. Place the **engine speed switch** (Figure 54) in the **HIGH** position



Figure 54. Engine Speed Switch (High)

3. Place the **MPEC Control Switch** (Figure 55) in the **AUTO** position



Figure 55. MPEC Control Switch (AUTO)

4. Continue operating the generator as outlined in the **Manual Start-up Procedure** (start at step 5).

DCA-100SSVU — GENERATOR SHUT-DOWN PROCEDURES

WARNING - SHUTTING DOWN THE GENERATOR

NEVER stop the engine suddenly except in an emergency.

Normal Shutdown Procedure

To shutdown the generator use the following procedure:

1. Place both the **MAIN**, **GFCI** and **LOAD** circuit breakers as shown in Figure 38 to the **OFF** position.
2. Place the engine speed switch (Figure 56) in the “**LOW**” (down) position.



Figure 56. Engine Speed Switch (Low)

3. Let the engine cool by running it at low speed for 3-5 minutes with no load applied.
4. Place the **MPEC Control Switch** (Figure 57) to the **OFF/RESET** position.



Figure 57. MPEC Control Switch (Off/Reset)

5. Verify that the **all** status LED on the MPEC display are **OFF** (not lit).
6. Remove all loads from the generator.
7. Inspect entire generator for any damage or loosening of components that may have occurred during operation.

Emergency Shutdown Procedure

1. Place the **MPEC Control Switch** switch (Figure 57) to the **OFF/RESET** position.
2. To shut-down the engine in the event of an emergency, switch the **MAIN**, **GFCI** and **LOAD** (Figure 38) circuit breakers to **OFF** position.

TABLE 14. INSPECTION/MAINTENANCE		10 Hrs DAILY	250 Hrs	500 Hrs	1000 Hrs
ENGINE	Check Engine Fluid Levels	X			
	Check Air Cleaner	X			
	Check Battery Acid Level	X			
	Check Fan Belt Condition	X			
	Check for Leaks	X			
	Check for Loosening of Parts	X			
	Replace Engine Oil and Filter * 1		X		
	Clean Air Filter		X		
	Check Fuel Filter/Water Separator Bowl	X			
	Clean Unit, Inside and Outside		X		
	Change Fuel Filter			X	
	Clean Radiator and Check Coolant Protection Level*2			X	
	Replace Air Filter Element * 3			X	
	Check all Hoses and Clamps * 4				X
	Clean Inside of Fuel Tank				X
GENERATOR	Measure Insulation Resistance Over 3M ohms		X		
	Check Rotor Rear Support Bearing			X	

*1 Replace engine oil and filter at 100 hours, first time only.

*2 Add "Supplemental Coolant Additives (SCA'S)" to recharge the engine coolant.

*3 Replace primary air filter element when restriction indicator shows a vacuum of 625 mm (25 in. H₂O).

*4 If blowby hose needs to be replaced, ensure that the slope of the blowby hose is at least a 1/2 inch per foot, with no sags or dips that could collect moisture and/or oil.

General Inspection

Prior to each use, the generator should be cleaned and inspected for deficiencies. Check for loose, missing or damaged nuts, bolts or other fasteners. Also check for fuel, oil, and coolant leaks. Use Table 14 as a general maintenance guideline **Engine Side** (Refer to the Engine Instruction Manual)

Air Cleaner

Every 250 hours: Remove air cleaner element and clean the heavy duty paper element with light spray of compressed air. Replace the air cleaner as needed.

Air Cleaner with Dust Indicator

This indicator is attached to the air cleaner. When the air cleaner element is clogged, air intake restriction becomes greater and the dust indicator signal shows **RED** meaning the element needs changing or service. After changing the air element, press the dust indicator button to reset the indicator.

Service Daily

If the engine is operating in very **dusty** or **dry grass** conditions, a clogged air cleaner will result. This can lead to a loss of power, excessive carbon buildup in the combustion chamber and high fuel consumption. Change air cleaner more **frequently** if these conditions exist.

Fuel Addition

Add diesel fuel (the grade may vary according to season and locations).

Removing Water from the Fuel Tank

After prolonged use, water and other impurities accumulate in the bottom of the tank. Occasionally inspect the fuel tank for water contamination and drain the contents if required.

During cold weather, the more empty volume inside the tank, the easier it is for water to condense. This can be reduced by keeping the tank full with diesel fuel.

Air Removal

If air enters the fuel injection system of a diesel engine, starting becomes impossible. After running out of fuel, or after disassembling the fuel system, bleed the system according to the following procedure. See the ***VOLVO Engine Manual*** for details.

To restart after running out of fuel, turn the switch to the "ON" position for 15-30 seconds. Try again, if needed. This unit is equipped with an automatic air bleeding system.

Check Oil Level

Check the crankcase oil level prior to each use, or when the fuel tank is filled. Insufficient oil may cause severe damage to the engine. Make sure the generator is level. The oil level must be between the two notches on the dipstick as shown in Figure 31.

Replacing Oil Filter

- Remove the old oil filter.
- Apply a film of oil to the gasket on the new oil filter.
- Install the new oil filter.
- After the oil cartridge has been replaced, the engine oil will drop slightly. Run the engine for a while and check for leaks before adding more oil if needed. Clean excessive oil from engine.

Cleaning the Fuel Strainer

Clean the fuel strainer if it contains dust or water. Remove dust or water in the strainer cap and wash it in gasoline. Securely fasten the fuel strainer cap so that fuel will not leak. Check the fuel strainer every 200 hours of operation or once a month.

Replacing Fuel Filter

- Replace the fuel filter cartridge with new one every 500 hours or so.
- Loosen the drain plug at the lower top of the fuel filter. Drain the fuel in the fuel body together with the mixed water. **DO NOT** spill the fuel during disassembly.
- Vent any air.

Flushing Out Radiator and Replacing Coolant

- Open both cocks located at the crankcase side and at the lower part of the radiator and drain coolant. Open the radiator cap while draining. Remove the overflow tank and drain.
- Check hoses for softening and kinks. Check clamps for signs of leakage.
- Flush the radiator by running clean tap water through radiator until signs of rust and dirt are removed. **DO NOT** clean radiator core with any objects, such as a screwdriver.
- Tighten both cocks and replace the overflow tank.
- Replace with coolant as recommended by the engine manufacturer.
- Close radiator cap tightly.

WARNING - BURN HAZARDS

Allow engine to **cool** when flushing out radiator. Flushing the radiator while hot could cause serious burns from water or steam.



Generator Storage

For long term storage of the generator the following is recommended:

- Fill the fuel tank completely. Treat with a fuel stabilizer if necessary.
- Completely drain the oil from the crankcase and refill if necessary with fresh oil.
- Clean the entire generator, internal and external.
- Cover the generating set and store in a clean, dry place.
- Disconnect the battery.
- Make sure engine coolant is at proper level.
- If generator is mounted on a trailer, jack trailer up and place on blocks so tires do not touch the ground or block and completely remove the tires.

Jacket Water Heater and Internal Battery Charger 120 VAC Input Receptacles (OPTIONAL)

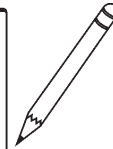
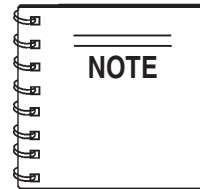
This generator can be optionally equipped with two 120 VAC, 20 amp input receptacles located on the output terminal panel.

The purpose of these receptacles is to provide power via commercial power to the *jacket water heater* and *internal battery charger*.

These receptacles will **ONLY** function when commercial power has been supplied to them (Figure 58). To apply commercial power to these receptacles, a power cord of adequate size will be required (See Table 6).

When using the generator in *hot* climates there is no reason to apply power to jacket water heater. However, if the generator will be used in *cold* climates it is always a good idea to apply power to the jacket water heater at all times. To apply power to the jacket water heater simply apply power to the jacket water heater receptacle via commercial power using an power cord of adequate size.

If the generator will be used daily, the battery should normally not require charging. If the generator will be idle (not used) for long periods of time, apply power to the battery charger receptacle via commercial power using an power cord of adequate size.



To ensure adequate starting capability, **always** have power applied to the generator's *internal battery charger*.

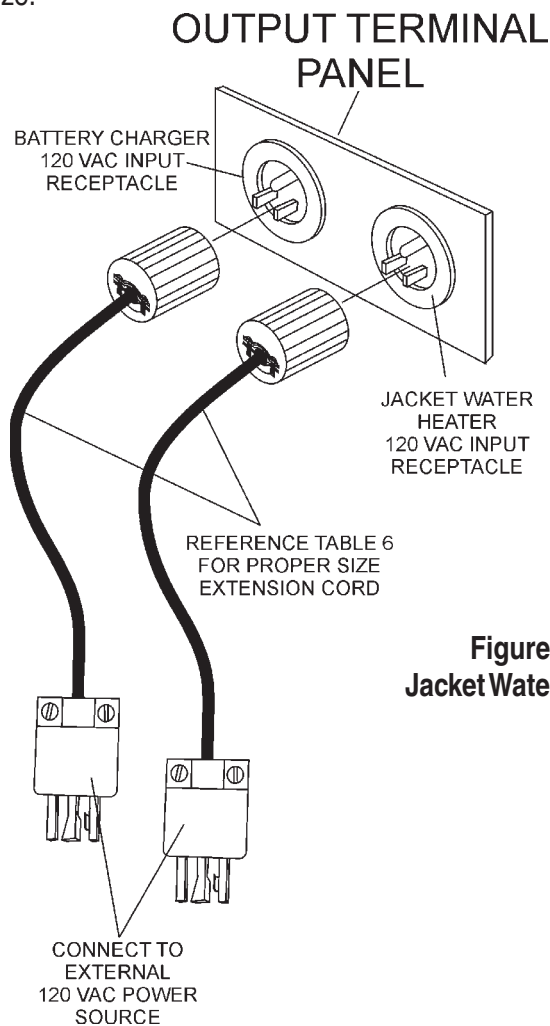


Figure 56. Battery Charger & Jacket Water Heater Power Connections

Trailer Maintenance

This section is intended to provide the user with generic trailer service and maintenance information. The service and maintenance guidelines referenced in this section refer to a wide range of trailers.

Remember periodic inspection of the trailer will ensure safe towing of the generator and will prevent personal injury and damage to the equipment.

The definitions below describe some of the major components of a typical trailer that would be used with the DCA-100SSVU *Whisperwatt™* Generator.

1. **Fuel Cell** - Provides an adequate amount of fuel for the equipment in use. Fuel cells must be empty when transporting equipment.
2. **Braking System** - System employed in stopping the trailer. Typical braking systems are electric, surge, hydraulic, hydraulic-surge and air.
3. **GVWR**- Gross Vehicle Weight Rating (GVWR) is the maximum number of pounds the trailer can carry, including the fuel cell (empty).
4. **Frame Length** - Measurement is from the ball hitch to the rear bumper (reflector).
5. **Frame Width** - Measurement is from fender to fender
6. **Jack Stand** - Trailer support device with maximum pound requirement from the tongue of the trailer.
7. **Coupler** - Type of hitch used on the trailer for towing.
8. **Tire Size** - Indicates the diameter of the tire in inches (10,12,14, etc.), and the width in millimeters (175,185,205, etc.). The tire diameter must match the diameter of the tire rim.
9. **Tire Ply** - The tire ply (layers) number is rated in letters; 2-ply,4-ply,6-ply, etc.
10. **Wheel Hub** - The wheel hub is connected to the trailer's axle.
11. **Tire Rim** - Tires mounted on a tire rim. The tire rim must match the size of the tire.
12. **Lug Nuts** - Used to secure the wheel to the wheel hub. Always use a torque wrench to tighten down the lug nuts. See Table 16 and Figure 59 for lug nut tightening and sequence.
13. **Axle** - Indicates the maximum weight the axle can support in pounds, and the diameter of the axle expressed in inches. Please note that some trailers have a double axle. This will be shown as 2-6000 lbs., meaning two axles with a total weight capacity of 6000 pounds.
14. **Suspension** - Protects the trailer chassis from shocks transmitted through the wheels. Types of suspension used are leaf, Q-flex, and air ride.
15. **Electrical** - Electrical connectors (looms) are provided with the trailer so the brake lights and turn signals can be connected to the towing vehicle.
16. **Application** - Indicates which units can be employed on a particular trailer.

Brakes

Trailer brakes should be inspected the **first 200 miles** of operation. This will allow the brake shoes and drums to seat properly. After the first 200 mile interval, inspect the brakes **every 3,000 miles**. If driving over rough terrain, inspect the brakes more frequently.

Figure 59 displays the major hydraulic surge brake components that will require inspection and maintenance. Please inspect these components as required using steps 1 through 8 and Table 15 as listed below:

Brake Adjustment

1. Place the trailer on jack stands. Make sure the jack stands are placed on secure level ground.
2. Check the wheel and drum for free rotation.
3. Remove the adjusting hole cover from the adjusting slot at the bottom brake backing plate.
4. With a screwdriver or standard adjusting tool, rotate the star wheel of the adjuster assembly to expand the brake shoes.
5. Adjust the brake shoes outward until the pressure of the lining against the wheel drum makes the wheel difficult to turn.
6. Adjust, rotate the star wheel in the opposite direction until the wheel rotates freely with slight lining drag.
7. Replace the adjusting hole cover and lower the trailer to the ground.
8. Repeat steps 1 through 7 on the remaining brakes.

Hydraulic Surge Brakes

Hydraulic surge brakes (Figure 59) should not require any special attention with the exception of routine maintenance such as shoe and lining replacement. Brake lines should be periodically checked for cracks, kinks, or blockage.

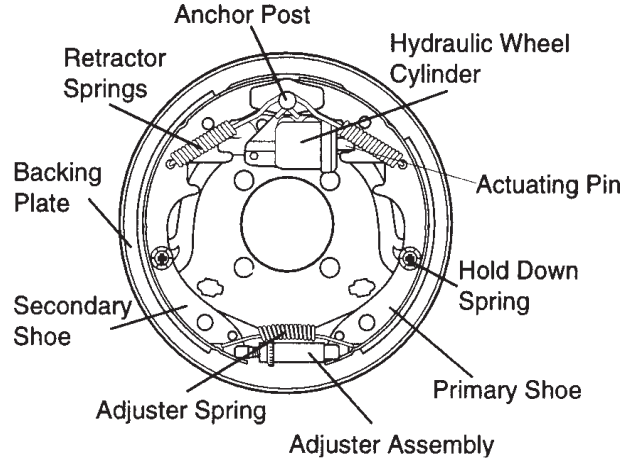


Figure 59. Hydraulic Brake Components

Actuator

Hydraulic surge braking requires the installation of an actuator at the tongue of the trailer. Remember the **surge** or **push** of the trailer toward the tow vehicle automatically synchronizes the trailer brakes with the tow vehicle brakes. As the trailer pushes against the tow vehicle the actuator telescopes together and applies force to the master cylinder, supplying hydraulic pressure to the trailer brakes.

Periodically check and test the surge “**actuator**” to make sure that it is functioning correctly. Never use an undersize actuator.

Table 15. Hydraulic Brake Troubleshooting

Symptom	Possible Cause	Solution
No Brakes	Brake line broken or kinked?	Repair or replace.
Weak Brakes or Brakes Pull to One Side	Brake lining glazed?	Reburnish or replace.
	Trailer overloaded?	Correct weight.
	Brake drums scored or grooved?	Machine or replace.
	Tire pressure correct?	Inflate all tires equally.
	Tires unmatched on the same axle?	Match tires.
Locking Brakes	Brake components loose, bent or broken?	Replace components.
	Brake drums out-of-round?	Replace.
Noisy Brakes	System lubricated?	Lubricate.
	Brake components correct?	Replace and correct.
Dragging Brakes	Brake lining thickness incorrect or not adjusted correctly?	Install new shoes and linings.
	Enough brake fluid or correct fluid?	Replace rubber parts fill with dot 4 fluid.

DCA-100SSVU — TRAILER MAINTENANCE

Tires/Wheels/Lug Nuts

Tires and wheels are a very important and critical components of the trailer. When specifying or replacing the trailer wheels it is important the wheels, tires, and axle are properly matched.

CAUTION - EYESIGHT HAZARD

ALWAYS wear safety glasses when removing or installing force fitted parts. Failure to comply may result in serious injury.



CAUTION - REPAIRING TRAILER WHEELS

DO NOT attempt to repair or modify a wheel. **DO NOT** install in inner tube to correct a leak through the rim. If the rim is cracked, the air pressure in the inner tube may cause pieces of the rim to explode (break off) with great force and cause serious eye or bodily injury.



Tire Wear/Inflation

Tire inflation pressure is the most important factor in tire life. Pressure should be checked cold before operation **DO NOT** bleed air from tires when they are **hot!** Check inflation pressure weekly during use to insure the maximum tire life and tread wear.

Table 16 (Tire Wear Troubleshooting) will help pinpoint the causes and solutions of tire wear problems.

TABLE 16. TIRE WEAR TROUBLESHOOTING

WEAR PATTERN	CAUSE	SOLUTION
Center Wear	Over Inflation.	Adjust pressure to particular load per tire manufacturer.
Edge Wear	Under Inflation.	Adjust pressure to particular load per tire manufacturer.
Side Wear	Loss of camber or overloading.	Make sure load does not exceed axle rating. Align wheels.
Toe Wear	Incorrect toe-in.	Align wheels.
Cupping	Out-of-balance.	Check bearing adjustment and balance tires.
Flat Spots	Wheel lockup & tire skidding.	Avoid sudden stops when possible and adjust brakes.

Suspension

The **leaf suspension** springs and associated components (Figure 60) should be visually inspected every 6,000 miles for signs of excessive wear, elongation of bolt holes, and loosening of fasteners. Replace all damaged parts (suspension) immediately. Torqued suspension components as detailed in Table 17.

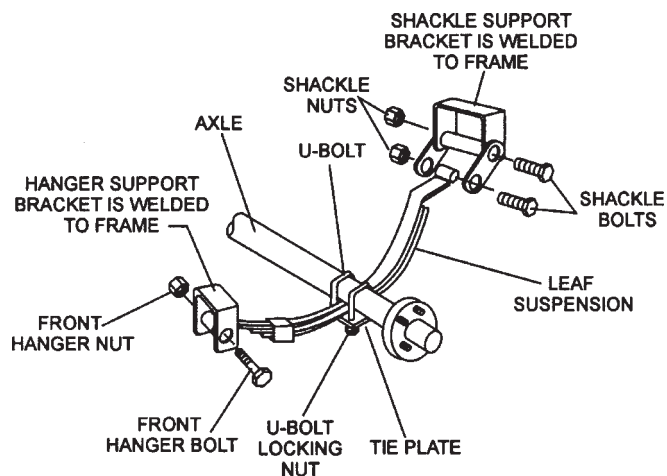


Figure 60. Major Suspension Components

Table 17. Suspension Torque Requirements

Item	Torque (Ft.-Lbs.)
3/8" U-BOLT	MIN-30 MAX-35
7/16" U-BOLT	MIN-45 MAX-60
1/2" U-BOLT	MIN-45 MAX-60
SHACKLE BOLT SPRING EYE BOLT	SNUG FIT ONLY. PARTS MUST ROTATE FREELY. LOCKING NUTS OR COTTER PINS ARE PROVIDED TO RETAIN NUT-BOLT ASSEMBLY.
SHOULDER TYPE SHACKLE BOLT	MIN-30 MAX-50

DCA-100SSVU — TRAILER MAINTENANCE

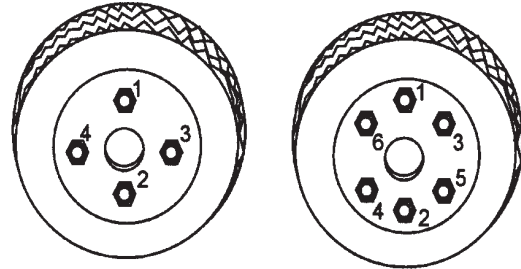
Lug Nut Torque Requirements

It is extremely important to apply and maintain proper wheel mounting torque on the trailer. Be sure to use only the fasteners matched to the cone angle of the wheel. Proper procedure for attachment of the wheels is as follows:

1. Start all wheel lug nuts by hand.
2. Torque all lug nuts in sequence (see Figure 61). **DO NOT** torque the wheel lug nuts all the way down. Tighten each lug nut in 3 separate passes as defined by Table 18.
3. After first road use, retorque all lug nuts in sequence. Check all wheel lug nuts periodically.

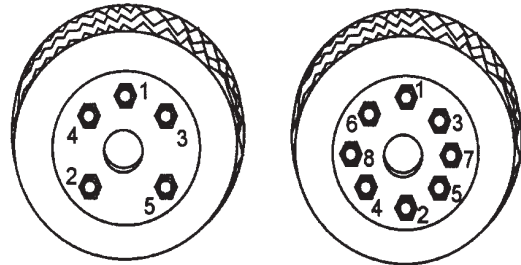
Table 18. Tire Torque Requirements

Wheel Size	First Pass FT-LBS	Second Pass FT-LBS	Third Pass FT-LBS
12"	20-25	35-40	50-65
13"	20-25	35-40	50-65
14"	20-25	50-60	90-120
15"	20-25	50-60	90-120
16"	20-25	50-60	90-120



4-LUG NUTS

6-LUG NUTS



5-LUG NUTS

8-LUG NUTS

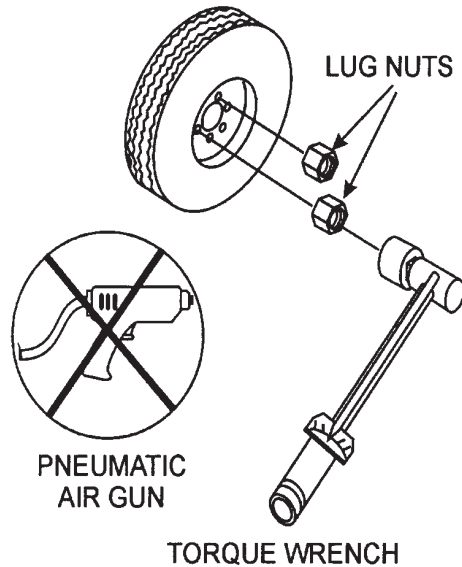
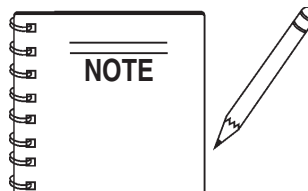


Figure 61. Wheel Lug Nuts Tightening Sequence



NEVER use an pneumatic air gun to tighten wheel lug nuts.

DCA-100SSVU — TRAILER WIRING DIAGRAM

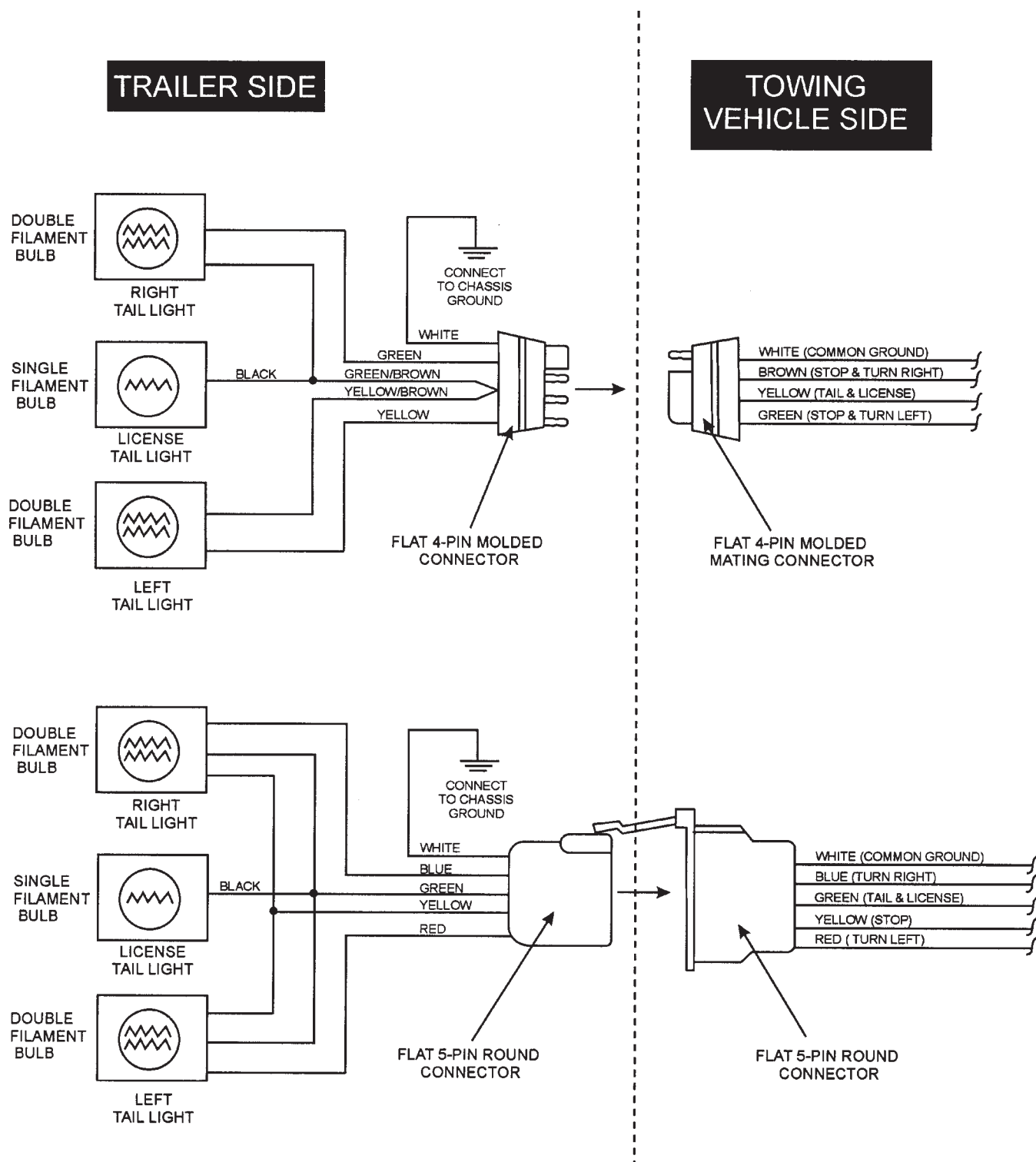
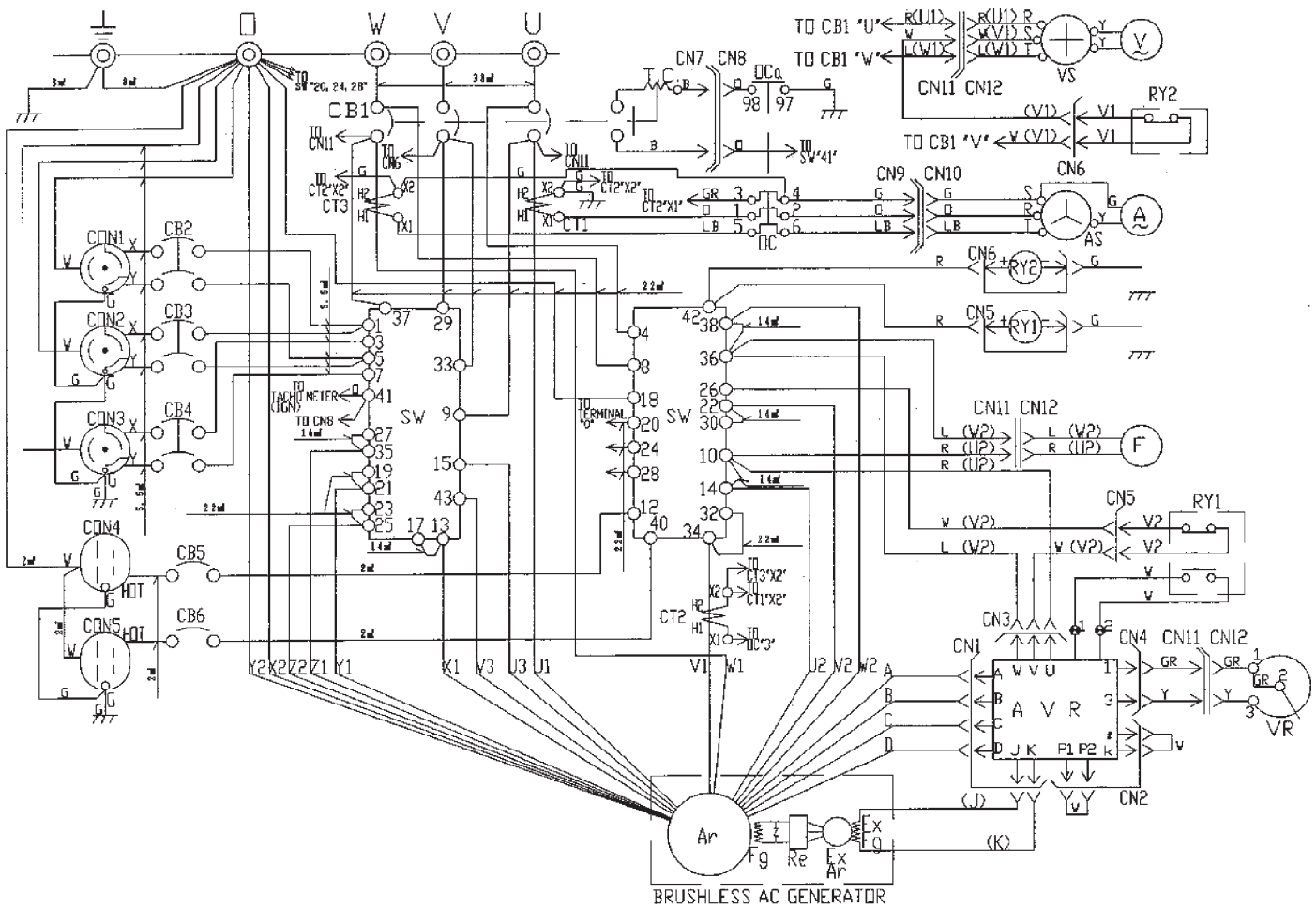


Figure 62. Trailer/Towing Vehicle Wiring Diagram

DCA-100SSVU — GENERATOR WIRING DIAGRAM



CONNECTOR ARRANGEMENT (WIRING VIEW)

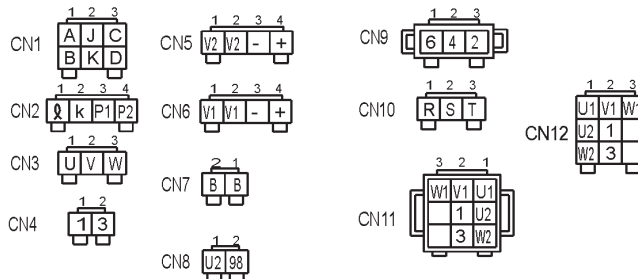


Figure 63. Generator Wiring Diagram

DCA-100SSVU — ENGINE WIRING DIAGRAM

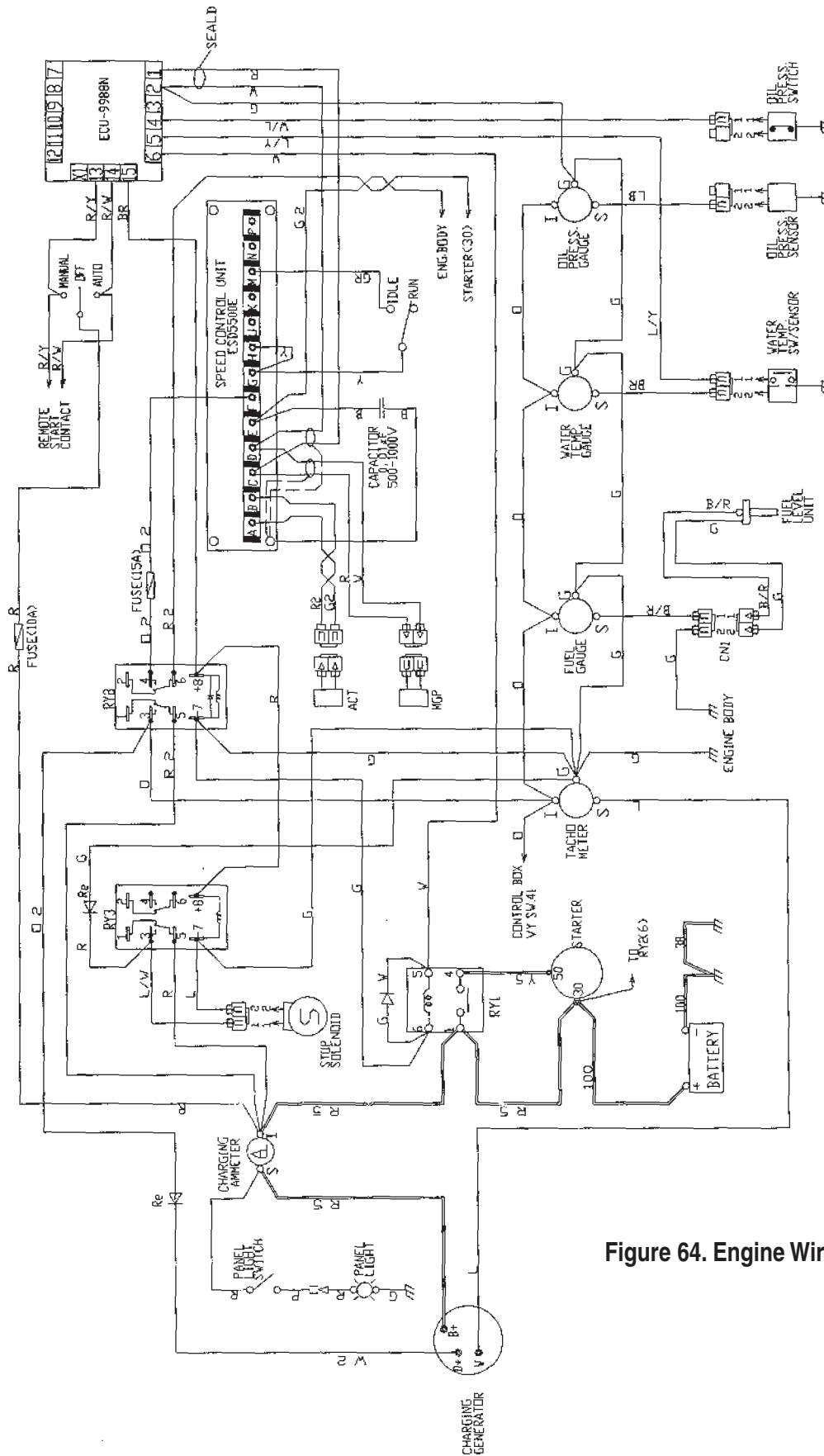


Figure 64. Engine Wiring Diagram

DCA-100SSVU — TROUBLESHOOTING (GENERATOR)

Practically all breakdowns can be prevented by proper handling and maintenance inspections, but in the event of a breakdown, use Table 19 shown below for diagnosis of the Generator. If the problem cannot be remedied, consult our company's business office or service plant.

TABLE 19. GENERATOR TROUBLESHOOTING

SYMPTOM	POSSIBLE PROBLEM	SOLUTION
No Voltage Output	AC Voltmeter defective?	Check output voltage using a voltmeter.
	Is wiring connection loose?	Check wiring and repair.
	Is AVR defective?	Replace if necessary.
	Defective Rotating Rectifier?	Check and replace.
	Defective Exciter Field?	Check for 17.3 ohms across J & K on CN1
Low Voltage Output	Is engine speed correct?	Turn engine throttle lever to "High".
	Is wiring connections loose?	Check wiring and repair.
	Defective AVR?	Replace if necessary.
High Voltage Output	Is wiring connections loose?	Check wiring and repair.
	Defective AVR?	Replace if necessary.
Circuit Breaker Tripped	Short Circuit in load?	Check load and repair.
	Over current?	Confirm load requirements and reduce.
	Defective circuit breaker?	Check and replace.
	Over current Relay actuated?	Confirm load requirement and replace.

DCA-100SSVU — TROUBLESHOOTING (ENGINE CONTROLLER)

Practically all breakdowns can be prevented by proper handling and maintenance inspections, but in the event of a breakdown, use Table 20 (Engine Controller Troubleshooting) as a basic guideline for troubleshooting the Microprocessor Engine Controller unit (MPEC). If the problem cannot be remedied, consult our company's business office or service plant.

TABLE 20. ENGINE CONTROLLER TROUBLESHOOTING (MPEC)

SYMPTOM	POSSIBLE PROBLEM	SOLUTION
Low oil pressure light is on.	Low oil level?	Fill oil level.
	Oil pressure sending unit failure?	Replace oil pressure sending unit.
	Time delay malfunction in Controller?	Refer to dealer.
	Wire shorted?	Inspect/repair wire.
Low coolant level light is on. (Optionally Installed)	Low coolant level?	Fill coolant level.
	Sending unit failure?	Replace sending unit.
	Low battery voltage?	Replace/charge battery.
High coolant temperature light is on.	Fan belt tension incorrect?	Tighten/replace fan belt.
	Air flow is not circulation through radiator?	Clean/repair radiator grill.
	Doors open?	Close doors.
	Exhaust leaking?	Replace/repair gaskets or faulty part.
	Generator being overloaded?	Check/reduce load.
	Thermostat failure?	Replace thermostat.
	Air intake blocked?	Clear all air intakes.
	Temperature switch failure?	Replace temperature switch.
Overcrank light is on.	No or low Fuel?	Fill fuel level.
	Controller needs to be calibrated?	Refer to dealer.
Overspeed light is on.	RPM engine speed too high?	Adjust RPM.
	Governor actuator needs to be adjusted?	Adjust governor actuator.
	Governor controller needs to be adjusted?	Adjust governor controller.
	Engine Controller needs to be calibrated?	Refer to dealer.
Loss of MPU light(s) or on.	Magnetic pick up out of adjustment?	Adjust magnetic pick up.
	Magnetic pick up dirty?	Clean magnetic pick up.

DCA-100SSVU — EXPLANATION OF CODE IN REMARKS COLUMN

The following section explains the different symbols and remarks used in the Parts section of this manual. Use the help numbers found on the back page of the manual if there are any questions.

The contents and part numbers listed in the parts section are subject to change **without notice**. Multiquip does not guarantee the availability of the parts listed.

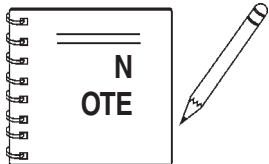
Sample Parts List:

NO.	PART NO.	PART NAME	QTY.	REMARKS
1	12345	BOLT	1	INCLUDES ITEMS W/*
2*		WASHER, 1/4 IN.		NOT SOLD SEPARATELY
2*	12347	WASHER, 3/8 IN.	1	MQ-45T ONLY
3	12348	HOSE	A/R ..	MAKE LOCALLY
4	12349	BEARING	1	S/N 2345B AND ABOVE

NO. Column

Unique Symbols - All items with same unique symbol (*, #, +, %, or >) in the number column belong to the same assembly or kit, which is indicated by a note in the "Remarks" column.

Duplicate Item Numbers - Duplicate numbers indicate multiple part numbers are in effect for the same general item, such as different size saw blade guards in use or a part that has been updated on newer versions of the same machine.



When ordering a part that has more than one item number listed, check the remarks column for help in determining the proper part to order.

PART NO. Column

Numbers Used - Part numbers can be indicated by a number, a blank entry, or TBD.

TBD (To Be Determined) is generally used to show a part that has not been assigned a formal part number at time of publication.

A blank entry generally indicates that the item is not sold separately or is not sold by Multiquip. Other entries will be clarified in the "Remarks" Column.

QTY. Column

Numbers Used - Item quantity can be indicated by a number, a blank entry, or A/R.

A/R (As Required) is generally used for hoses or other parts that are sold in bulk and cut to length.

A blank entry generally indicates that the item is not sold separately. Other entries will be clarified in the "Remarks" Column.

REMARKS Column

Some of the most common notes found in the "Remarks" Column are listed below. Other additional notes needed to describe the item can also be shown.

Assembly/Kit - All items on the parts list with the same unique symbol will be included when this item is purchased.

Indicated by:

"INCLUDES ITEMS W/(unique symbol)"

Serial Number Break - Used to list an effective serial number range where a particular part is used.

Indicated by:

"S/N XXXXX AND BELOW"

"S/N XXXX AND ABOVE"

"S/N XXXX TO S/N XXX"

Specific Model Number Use - Indicates that the part is used only with the specific model number or model number variant listed. It can also be used to show a part is NOT used on a specific model or model number variant.

Indicated by:

"XXXXX ONLY"

"NOT USED ON XXXX"

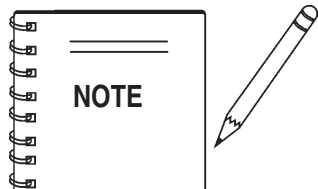
"Make/Obtain Locally" - Indicates that the part can be purchased at any hardware shop or made out of available items. Examples include battery cables, shims, and certain washers and nuts.

"Not Sold Separately" - Indicates that an item cannot be purchased as a separate item and is either part of an assembly/kit that can be purchased, or is not available for sale through Multiquip.

DCA-100SSVU — SUGGESTED SPARE PARTS

DCA-100SSVU WHISPER WATT GENERATOR W/VOLVO PENTA TAD520GE DIESEL ENGINE 1 TO 3 UNITS

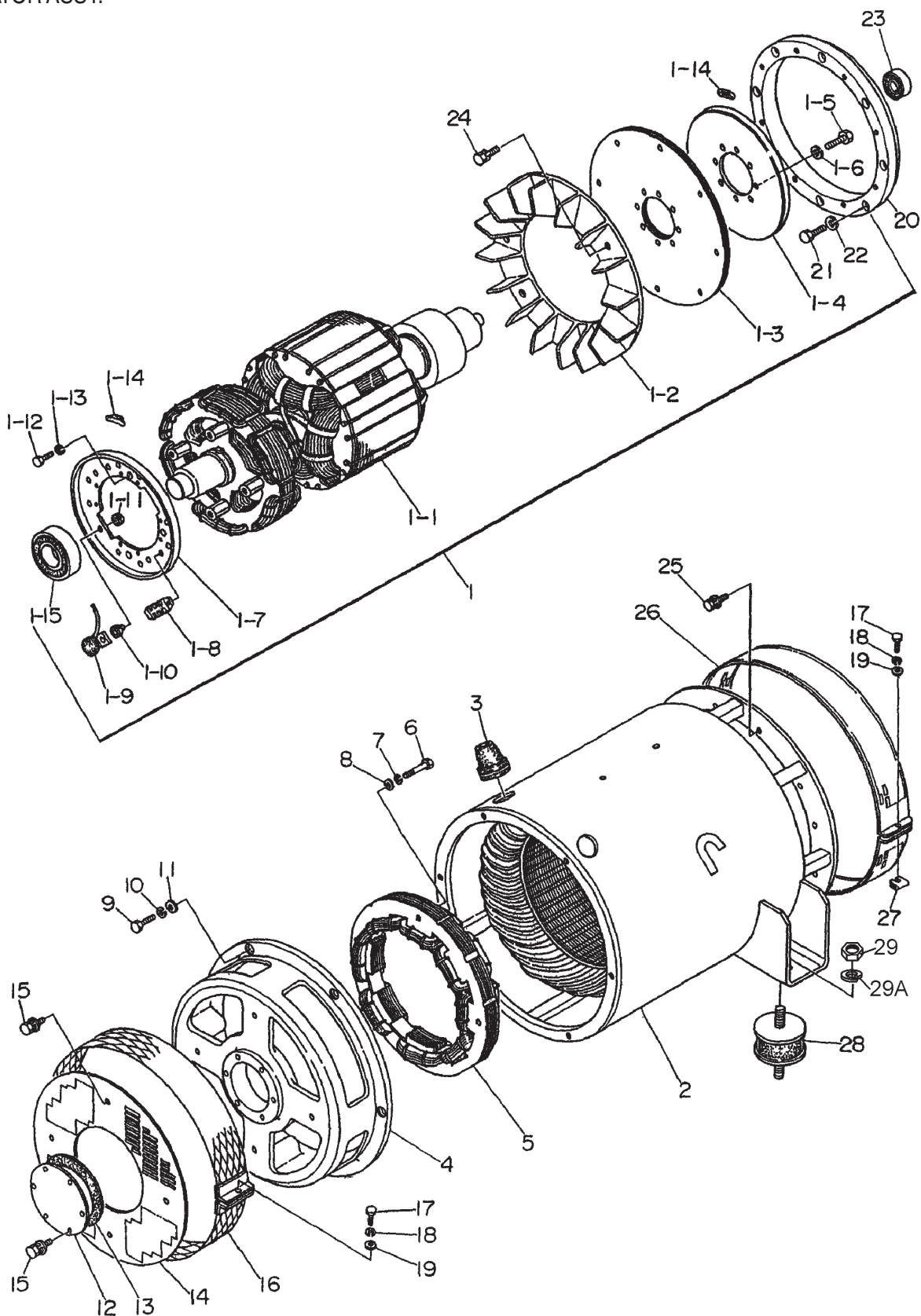
<u>Qty.</u>	<u>P/N</u>	<u>Description</u>
1	V20412278	HOSE, RADIATOR UPPER
1	V20412279	HOSE, RADIATOR LOWER
1	V20412329	RADIATOR CAP
1	0605505070	FUEL CAP
1	V20405794	ALTERNATOR 12 VDC
2	V978515	V-BELT, ALTERNATOR
2	V978750	V-BELT, FUEL PUMP
1	V20405779	MONITOR, OIL PRESSURE
1	V20405778	SENSOR, OIL PRESSURE
1	V20543720	TEMP SENSOR UNIT
1	V20412270	SENSOR, TEMPERATURE
6	V20549350	FILTER, FUEL CARTRIDGE
6	V8159975	FILTER, WATER SEPARATOR
6	V3831236	FILTER, OIL CARTRIDGE
3	V3840033	FILTER, AIR (ELEMENT)
1	0601808803	CIRCUIT BREAKER, 1P, 120V @ 20A
1	0601808804	CIRCUIT BREAKER, 2P, 250V @ 50A
2	LY2DUS12VDC	RELAY



Part number on this Suggested Spare Parts list may supercede/replace the P/N shown in the text pages of this book.

DCA-100SSVU — GENERATOR ASSY.

GENERATOR ASSY.



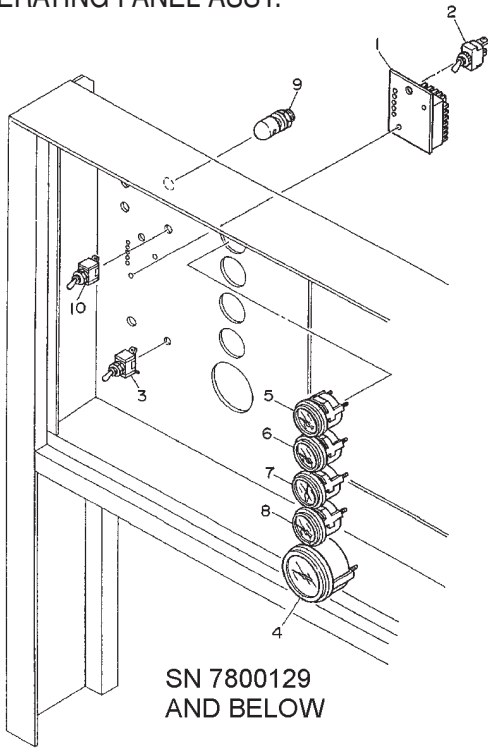
DCA-100SSVU — GENERATOR ASSY.

GENERATOR ASSY.

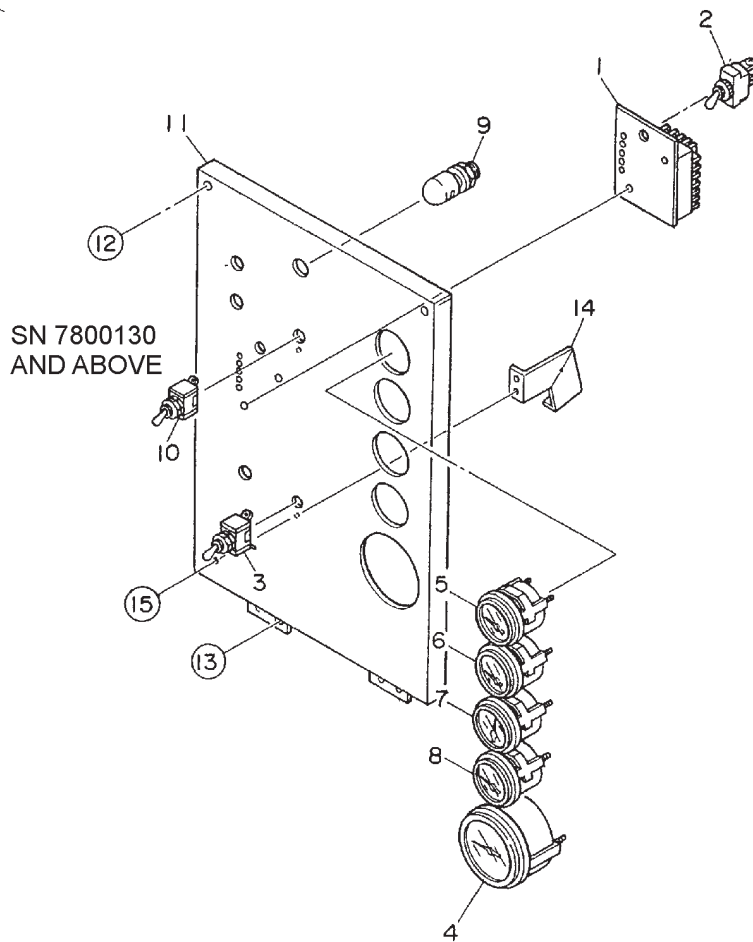
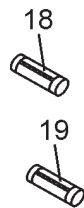
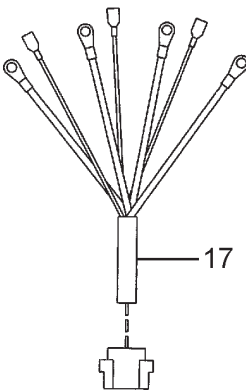
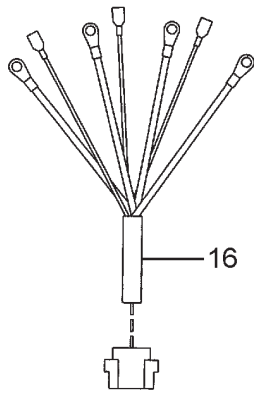
<u>NO</u>	<u>PART NO</u>	<u>PART NAME</u>	<u>QTY.</u>	<u>REMARK</u>
1	C0110000202	ROTOR ASSY.	1	INCLUDES ITEMS W/*
1-1*		FIELD ASSY.	1	
1-2*	8101070033	FAN	1	
1-3*	8101611004	COUPLING DISK	5	
1-4*	8101015003	BALANCING PLATE	1	PURCHASE ITEM 1-14 AS A SET
1-5*	0012110030	HEX HEAD BOLT	8	
1-6*	0042510000	WASHER, LOCK	8	
1-7*	8101026013	SET PLATE, RECTIFIER	1	PURCHASE ITEM 1-14 AS A SET
1-8*	0601821349	RECTIFIER, PT 3610	2	
1-9*	0601822601	SURGE ABSORBER	1	
1-10*	8001020004	INSULATOR WASHER	1	
1-11*	8001020504	INSULATOR WASHER	1	
1-12*	0010110020	HEX HEAD BOLT	4	
1-13*	0040010000	WASHER, LOCK	4	
1-14*	0601000209	BALANCING WEIGHT KIT	1	
1-15*	0071906311	BEARING, 6311DDU C3	1	
2	C0130200003	STATOR ASSY.	1	
3	0845041804	GROMMET	2	
4	8101315202	END BRACKET	1	
5	8101350013	FIELD ASSY. EXCITER	1	
6	0012110070	HEX HEAD BOLT	4	
7	0042610000	WASHER, LOCK	4	
8	0041210000	WASHER, FLAT	4	
9	0010110035	HEX HEAD BOLT	6	
10	0040010000	SPRING WASHER	6	
11	0041210000	WASHER, FLAT	6	
12	8101310014	COVER, BEARING	1	
13	8131312014	GASKET, BEARING	1	
14	8101333003	COVER, END BRACKET	1	
15	0017106012	HEX HEAD BOLT	10	
16	8101333003	COVER, END BRACKET	1	
17	0010106030	HEX HEAD BOLT	2	
18	0040006000	WASHER, LOCK	2	
19	0041206000	PLAIN WASHER	2	
20	M2163400003	COUPLING RING	1	
21	0012110040	HEX HEAD BOLT	8	
22	0042610000	WASHER, LOCK	8	
23	0070506306	BEARING	1	
24	0012810030	HEX HEAD BOLT	8	
25	0012810030	HEX HEAD BOLT	12	
26	8111332014	COVER, FAN	1	
27	0600815000	NUT	1	
28	0605000061	RUBBER SUSPENSION	2	
29	0030016000	HEX NUT	2	
29A	0040016000	WASHER, LOCK	2	

DCA-100SSVU—ENGINE OPERATING PANEL ASSY.

ENGINE OPERATING PANEL ASSY.



SN 7800129
AND BELOW



SN 7800130
AND ABOVE

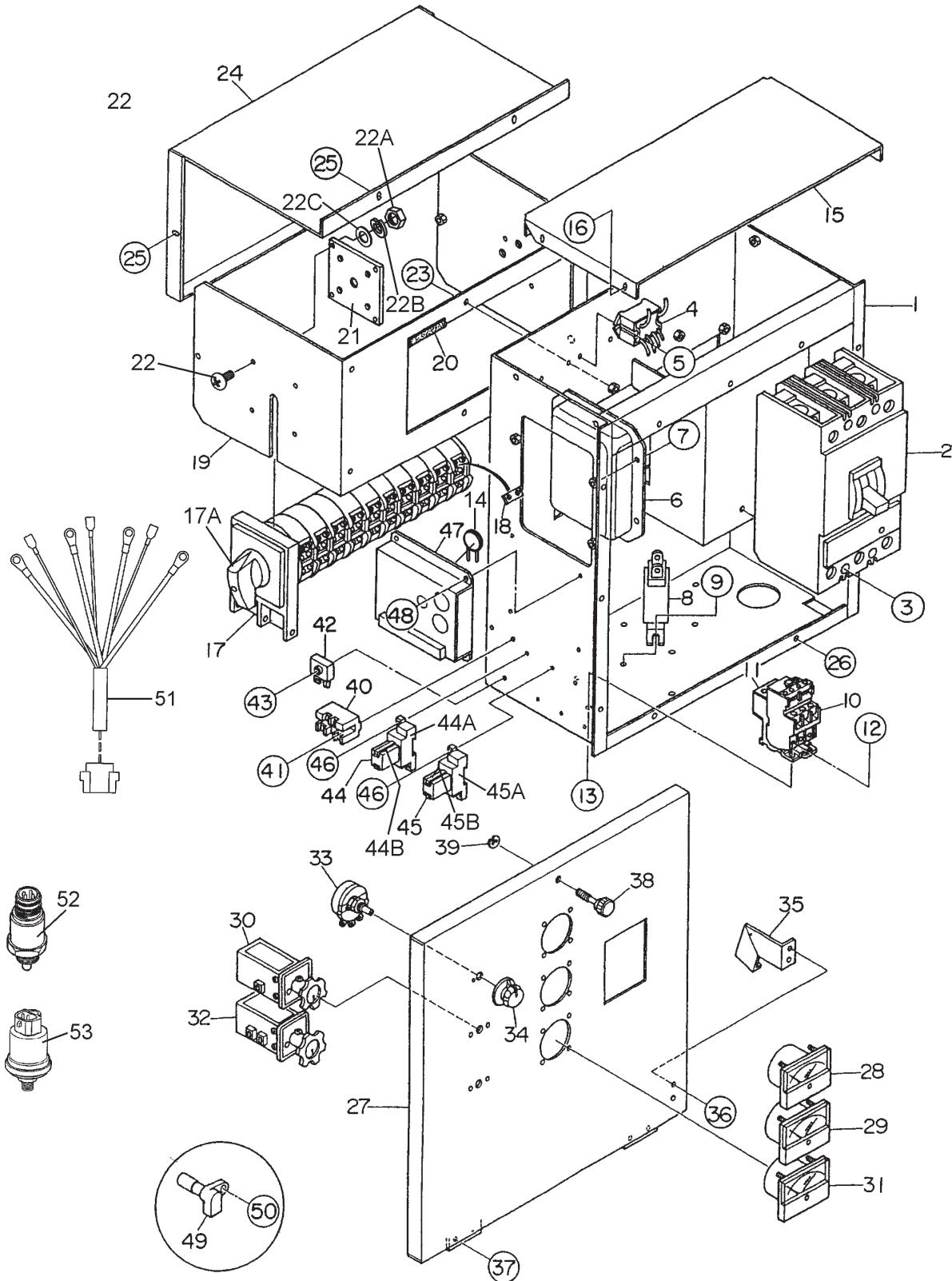
DCA-100SSVU— ENGINE OPERATING PANEL ASSY.

ENGINE OPERATING PANEL ASSY.

<u>NO</u>	<u>PART NO</u>	<u>PART NAME</u>	<u>QTY.</u>	<u>REMARKS</u>
1	0602202545	CONTROLLER, ECU-9988N	1	
2	0601831340	SWITCH	1	
3	0601831395	ENGINE SPEED SWITCH	1	
4	0602120096	TACHOMETER	1	
5	0602122097	OIL PRESSURE GAUGE	1	
6	0602123094	WATER TEMPERATURE GAUGE	1	
7	0602121080	CHARGING AMMETER	1	
8	0602125090	FUEL GAUGE	1	
9	0601810141	PANEL LIGHT	1	
10	0601831330	SWITCH, PANEL LIGHT	1	
11	M3351100004	ENGINE OPERATING PANEL	1	S/N 7800130 AND ABOVE
12	0017106040	HEX HEAD BOLT	2	S/N 7800130 AND ABOVE
13	0027105010	MACHINE SCREW	4	S/N 7800130 AND ABOVE
14	M3223100004	STOPPER	1	S/N 7800130 AND ABOVE
15	0027105010	MACHINE SCREW	2	S/N 7800130 AND ABOVE
16	M3357200702	WIRE HARNESS, ENGINE	1	S/N 7800001~7800129
17	M3357201412	WIRE HARNESS, ENGINE	1	S/N 7800130 AND ABOVE
18	0601802149	FUSE, 10A	1	
19	0601806671	FUSE, 15A	1	

DCA-100SSVU— CONTROL BOX ASSY. (S/N 7800001~7800129)

CONTROL BOX ASSY. (S/N 7800001~7800129)



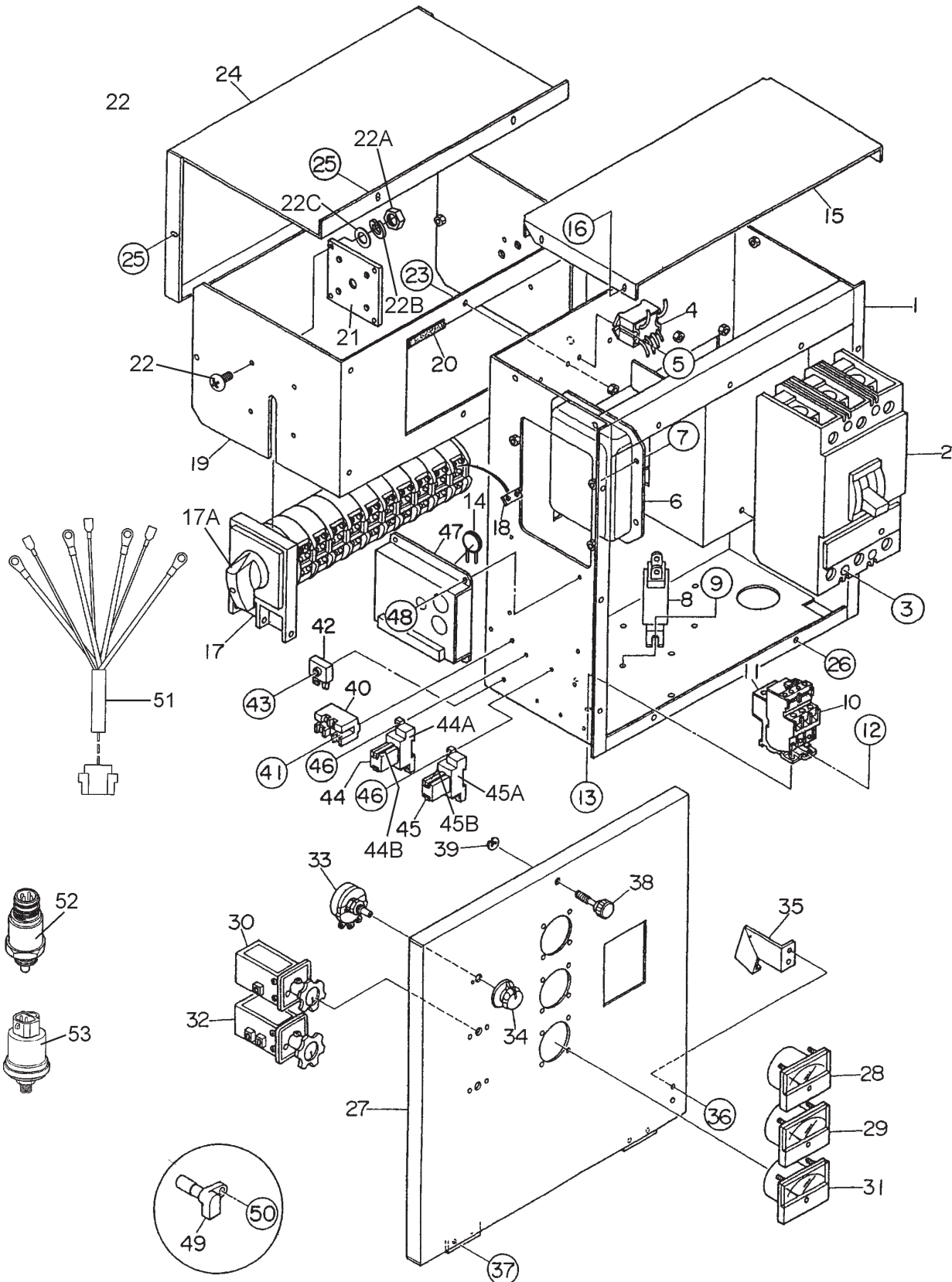
DCA-100SSVU— CONTROL BOX ASSY. (S/N 7800001~7800129)

CONTROL BOX ASSY. (S/N 7800001~7800129)

<u>NO</u>	<u>PART NO</u>	<u>PART NAME</u>	<u>QTY.</u>	<u>REMARKS</u>
1	M321300602	CONTROL BOX	1	S/N 7800001~7800129
2	0601808822	CIRCUIT BREAKER, 3P 250A	1	
3	0021005080	MACHINE SCREW	4	
4	0601823863	RELAY UNIT	2	
5	0027104016	MACHINE SCREW	4	
6	0601820671	AUTOMATIC VOLTAGE REGULATOR	1	
7	0027105016	MACHINE SCREW	4	
8	0601806118	CURRENT TRANSFORMER, 200:5A	3	S/N 7800001~7800129
9	0027106016	MACHINE SCREW	6	
10	0601820845	OVER CURRENT RELAY	1	S/N 7800001~7800057
10	0601820847	OVER CURRENT RELAY	1	S/N 7800058~7800129
11	0601820846	OVER CURRENT RELAY	1	S/N 7800001~7800057
11	0601820848	OVER CURRENT RELAY	1	S/N 7800058~7800129
12	0027104016	MACHINE SCREW	2	
13	0207004000	HEX NUT	2	
14	0601826158	CAPACITOR, 0.01uF	1	
15	M3213500013	CONTROL BOX COVER	1	
16	0016906016	HEX HEAD BOLT	4	
17	M3923100004	SELECTOR SWITCH	1	S/N 7800001~7800129
17A	S2BG411	KNOB-HANDLE, BLACK		
18	M3276600004	SPACER	8	
19	M3213600003	SWITCH BRACKET	1	S/N 7800001~7800129
20	0330000295	EDGING	2	S/N 7800001~7800129
21	M3260500004	SWITCH BOARD	1	
22	0021104015	MACHINE SCREW	4	S/N 7800001~7800129
22A	0207004000	HEX NUT	4	
22B	0040004000	WASHER, LOCK	4	
22C	0041204000	WASHER, FLAT	4	
20	0330000295	EDGING	2	S/N 7800001~7800129
23	0016906016	HEX HEAD BOLT	6	S/N 7800001~7800129
24	M3213600104	SWITCH COVER	1	S/N 7800001~7800129
25	0016906016	HEX HEAD BOLT	4	S/N 7800001~7800129
26	0016906016	HEX HEAD BOLT	10	S/N 7800001~7800129
27	M3223000203	CONTROL PANEL	1	
28	0601807641	FREQUENCY METER, 45~65Hz 240V	1	
29	0601808988	AC AMMETER, 0~200A/400A	1	
30	0601801040	CHANGE-OVER SWITCH, AMMETER	1	
31	0601806859	AC VOLTMETER, 0~600V	1	
32	0601801041	CHANGE-OVER SWITCH, VOLTMETER	1	
33	0601840073	RHEOSTAT (VR) 2W 1K OHM	1	
34	0601840121	KNOB	1	
35	M1223100004	STOPPER	1	
36	0027105016	MACHINE SCREW	2	
37	0027105016	MACHINE SCREW	4	

DCA-100SSVU— CONTROL BOX ASSY. (S/N 7800001~7800129)

CONTROL BOX ASSY. (CONT. S/N 7800001~7800129)



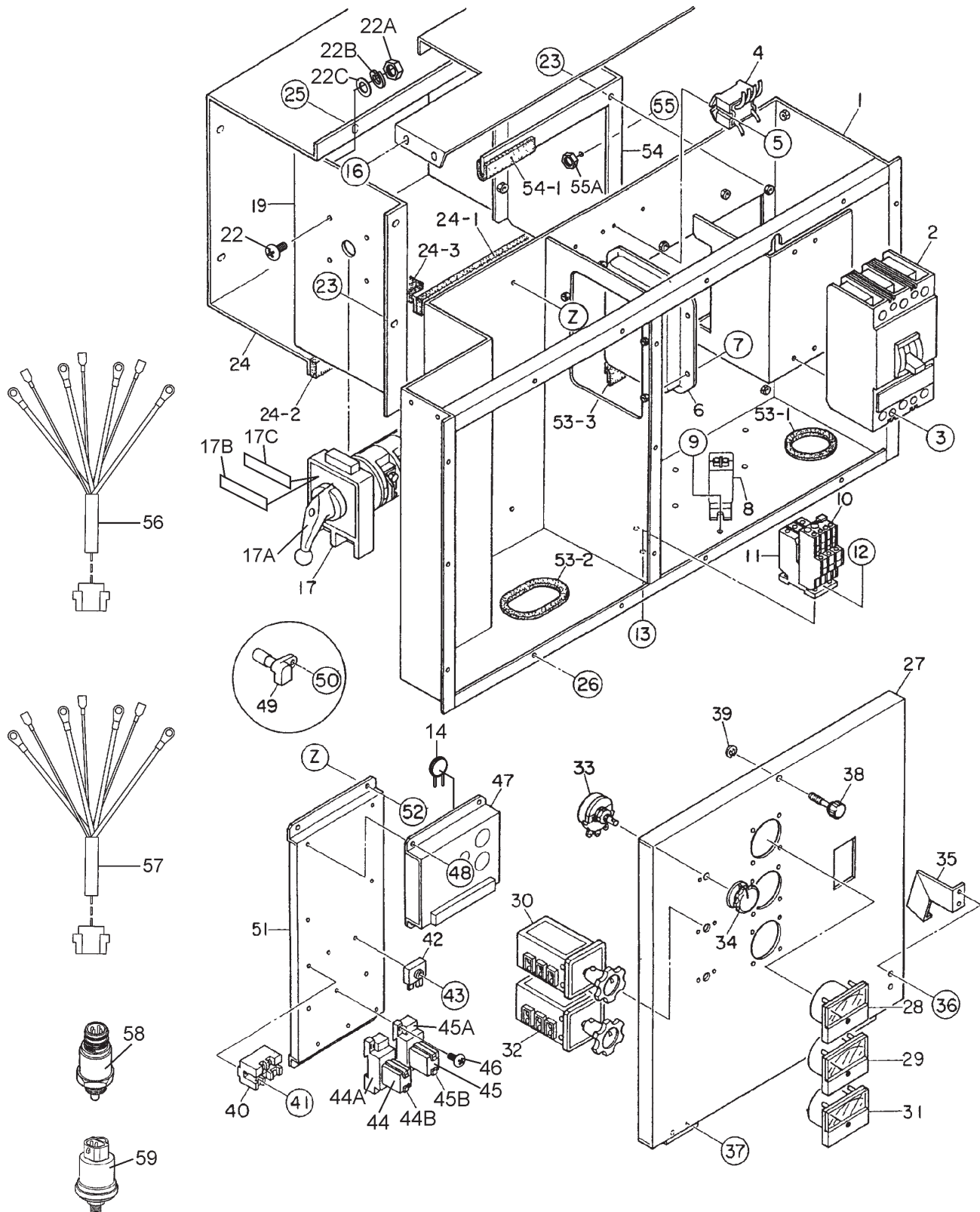
DCA-100SSVU— CONTROL BOX ASSY. (S/N 7800001~7800129)

CONTROL BOX ASSY. (CONT. S/N 7800001~7800129)

<u>NO</u>	<u>PART NO</u>	<u>PART NAME</u>	<u>QTY.</u>	<u>REMARKS</u>
38	M9220100004	SET SCREW	1	
39	0080200007	SNAP RING	1	
40	0601826031	RELAY, DC12V	1	
41	0027104016	MACHINE SCREW	2	
42	0601823240	RECTIFIER, DE4503	2	S/N 7800001~7800002
42	0601823240	RECTIFIER, DE4503	3	S/N 7800003~7800129
43	0027104030	MACHINE SCREW	1	S/N 7800001~7800002
43	0027104040	MACHINE SCREW	1	S/N 7800003~7800129
44	LY2DUS12VDC	RELAY	1	REPLACES P/N 0601827656
44A	0601823109	RELAY BASE, PTF08A-E	1	
4B	0601824400	RELAY CLIP, PYCA1	2	
45	0601823768	RELAY, LY-2 DC12V	1	
45A	0601823109	RELAY BASE, PTF08-E	1	
45B	0601824400	RELAY CLIP, PYCA1	2	
46	0027104020	MACHINE SCREW	4	
47	0602202568	SPEED CONTROL UNIT	1	
48	0027105016	MACHINE SCREW	4	
49	0602120475	SPEED SENSOR	1	
50	0016906020	HEX HEAD BOLT	1	
51	M3246701304	WIRE HARNESS GENERATOR	1	S/N 7800000~7800129
52	V20405778	OIL PRESSURE SENSOR	1	
53	V20412270	SENSOR TEMPERATURE	1	

DCA-100SSVU— CONTROL BOX ASSY. (S/N 78000130 AND ABOVE)

CONTROL BOX ASSY. (S/N 7800130~AND ABOVE)



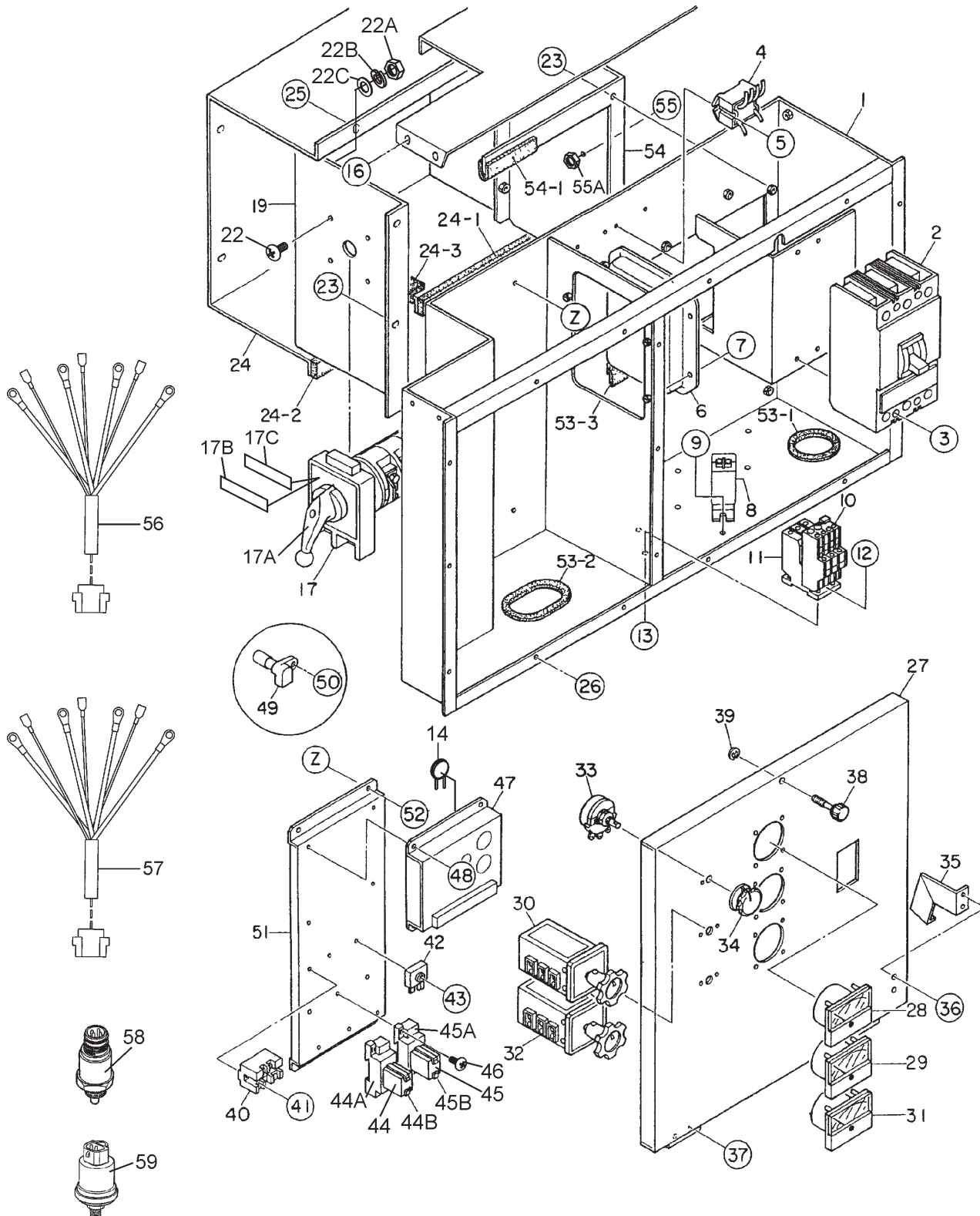
DCA-100SSVU— CONTROL BOX ASSY. (S/N 7800130 AND ABOVE)

CONTROL BOX ASSY. (S/N 7800130~AND ABOVE)

<u>NO</u>	<u>PART NO</u>	<u>PART NAME</u>	<u>QTY.</u>	<u>REMARKS</u>
1	M321300902	CONTROL BOX	1	S/N 7800130~7800214
1	M321300912	CONTROL BOX	1	S/N 7800215 AND ABOVE
2	0601808822	CIRCUIT BREAKER, 3P 250A	1	
3	0021005080	MACHINE SCREW	4	
4	0601823863	RELAY UNIT	2	
5	0027104016	MACHINE SCREW	4	
6	0601820671	AUTOMATIC VOLTAGE REULATOR	1	
7	0027105016	MACHINE SCREW	4	
8	0601806118	CURRENT TRANSFORMER, 200:5A	3	S/N 7800130~7800214
8	0601801124	CURRENT TRANSFORMER, 200:5A	3	S/N 7800215 AND ABOVE
9	0027106020	MACHINE SCREW	6	REPLACES P/N 0027106016
10	0601820847	OVER CURRENT RELAY	1	S/N 7800130 AND ABOVE
11	0601820848	OVER CURRENT RELAY	1	S/N 7800130 AND ABOVE
12	0027104016	MACHINE SCREW	2	
13	0207004000	HEX NUT	2	
14	0601826158	CAPACITOR, 0.01uF	1	
15	M3213500213	CONTROL BOX COVER	1	S/N 7800130 AND ABOVE
16	0016906016	HEX HEAD BOLT	5	
17	M3270100404	SELECTOR SWITCH	1	S/N 7800130~AND ABOVE
17A	S2BG411	KNOB-HANDLE, BLACK		
17B	M3550002304	DECAL, SELECTOR SWITCH NUMBER	1	S/N 7800195~AND ABOVE
17C	M3550002404	DECAL, SELECTOR SWITCH NUMBER	1	S/N 7800195~AND ABOVE
18	M3276600004	SPACER	8	
19	M3213600903	SWITCH BRACKET	1	S/N 7800130~7800194
19	M3213601504	SWITCH BRACKET	1	S/N 7800195~AND ABOVE
20	0330000295	EDGING	2	S/N 7800130~7800194
21	M3260500004	SWITCH BOARD	1	
22	0021104015	MACHINE SCREW	4	S/N 7800130~7800194
22	0021104040	MACHINE SCREW	4	S/N 7800195~AND ABOVE
22A	0207004000	HEX NUT	4	S/N 7800195~AND ABOVE
22B	0040004000	WASHER, LOCK	4	S/N 7800195~AND ABOVE
22C	0041204000	WASHER, PLAIN	4	
20	0330000295	EDGING	2	S/N 7800001~7800194
23	0016906016	HEX HEAD BOLT	8	S/N 7800130~7800194
23	0016906016	HEX HEAD BOLT	6	S/N 7800195~AND ABOVE
24	M3213601004	SWITCH COVER	1	S/N 7800130~7800194
24	M3213601704	SWITCH COVER	1	S/N 7800195~AND ABOVE
24-1	0228800210	SEAL RUBBER	1	S/N 7800195~AND ABOVE
24-2	0228800120	SEAL RUBBER	1	S/N 7800195~AND ABOVE
24-3	0317700180	SEAL RUBBER	1	S/N 7800195~AND ABOVE
25	0016906016	HEX HEAD BOLT	4	S/N 7800001~7800129

DCA-100SSVU— CONTROL BOX ASSY. (S/N 7800130 AND ABOVE)

CONTROL BOX ASSY. (CONT. S/N 7800130~AND ABOVE)



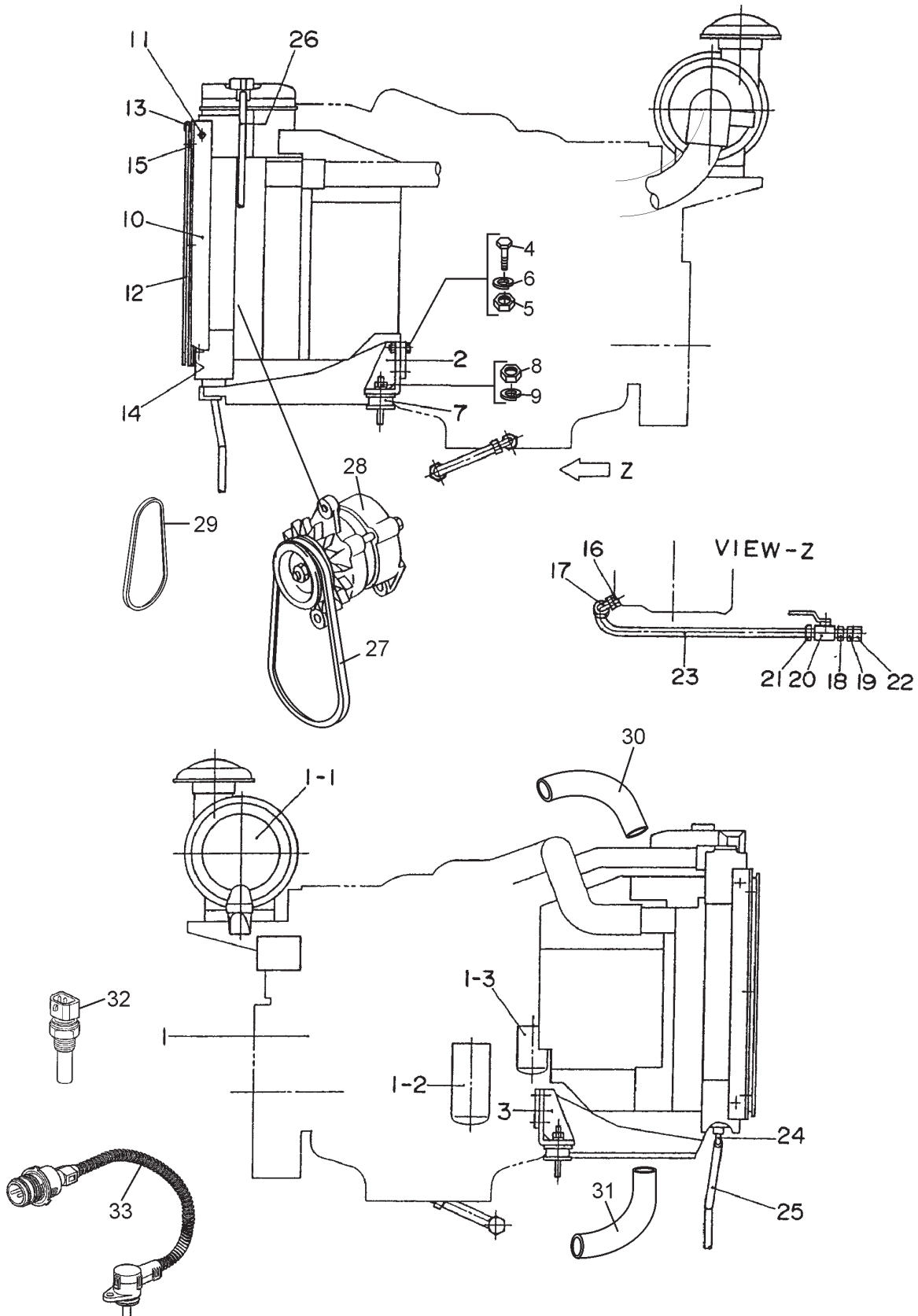
DCA-100SSVU— CONTROL BOX ASSY. (S/N 7800130 AND ABOVE)

CONTROL BOX ASSY. (CONT. S/N 7800130~AND ABOVE)

<u>NO</u>	<u>PART NO</u>	<u>PART NAME</u>	<u>QTY.</u>	<u>REMARKS</u>
26	0016906016	HEX HEAD BOLT	15	S/N 7800130~AND ABOVE
27	M3223000203	CONTROL PANEL	1	
28	0601807641	FREQUENCY METER, 45~65Hz 240V	1	
29	0601808988	AC AMMETER, 0~200A/400A	1	
30	0601801040	CHANGE-OVER SWITCH, AMMETER	1	
31	0601806859	AC VOLTMETER, 0~600V	1	
32	0601801041	CHANGE-OVER SWITCH, VOLTMETER	1	
33	0601840073	RHEOSTAT (VR) 2W 1K OHM	1	
34	0601840121	KNOB	1	
35	M1223100004	STOPPER	1	
36	0027105016	MACHINE SCREW	2	
37	0027105016	MACHINE SCREW	4	
38	M9220100004	SET SCREW	1	
39	0080200007	SNAP RING	1	
40	0601826031	RELAY, DC12V	1	
41	0027104016	MACHINE SCREW	2	
42	0601823240	RECTIFIER, DE4503	3	S/N 7800130~AND ABOVE
43	0027104040	MACHINE SCREW	1	S/N 7800130~AND ABOVE
44	0601827656	RELAY, LY-2D DC12V	1	
44A	PTF08A	RELAY BASE	1	REPLACES P/N 0601823109
44B	PYCA1	RELAY CLIP	2	REPLACES P/N 0601824400
45	LY2DUS12VDC	RELAY,	1	REPLACES P/N 0601823768
45A	PTF08A	RELAY BASE	1	REPLACES P/N 0601823109
45B	PYCA1	RELAY CLIP	2	REPLACES P/N 0601824400
46	0027104020	MACHINE SCREW	4	
47	0602202568	SPEED CONTROL UNIT	1	
48	0027105016	MACHINE SCREW	4	
49	0602120475	SPEED SENSOR	1	
50	0016906020	HEX HEAD BOLT	1	
51	M3260500204	SET PANEL	1	S/N 7800130~AND ABOVE
52	0016906016	HEX HEAD BOLT	4	S/N 7800130~AND ABOVE
53-1	0330000180	EDGING	2	S/N 7800130~AND ABOVE
53-2	0330000240	EDGING	1	S/N 7800130~AND ABOVE
53-3	0330000065	EDGING	2	S/N 7800195~AND ABOVE
54	M3213601604	SWITCH BRACKET	1	S/N 7800195~AND ABOVE
54-1	0330000225	EDGING	2	S/N 7800195~AND ABOVE
55	0027104016	MACHINE SCREW	4	S/N 7800195~AND ABOVE
55A	02070004000	HEX NUT	4	S/N 7800195~AND ABOVE
56	M3246701304	WIRE HARNESS GENERATOR	1	S/N 7800130~7800194
57	M3246701324	WIRE HARNESS GENERATOR	1	S/N 7800195~AND ABOVE
58	V20405778	OIL PRESSURE SENSOR	1	
59	V20412270	SENSOR TEMPERATURE	1	

DCA-100SSVU— ENGINE AND RADIATOR ASSY.

ENGINE AND RADIATOR ASSY.



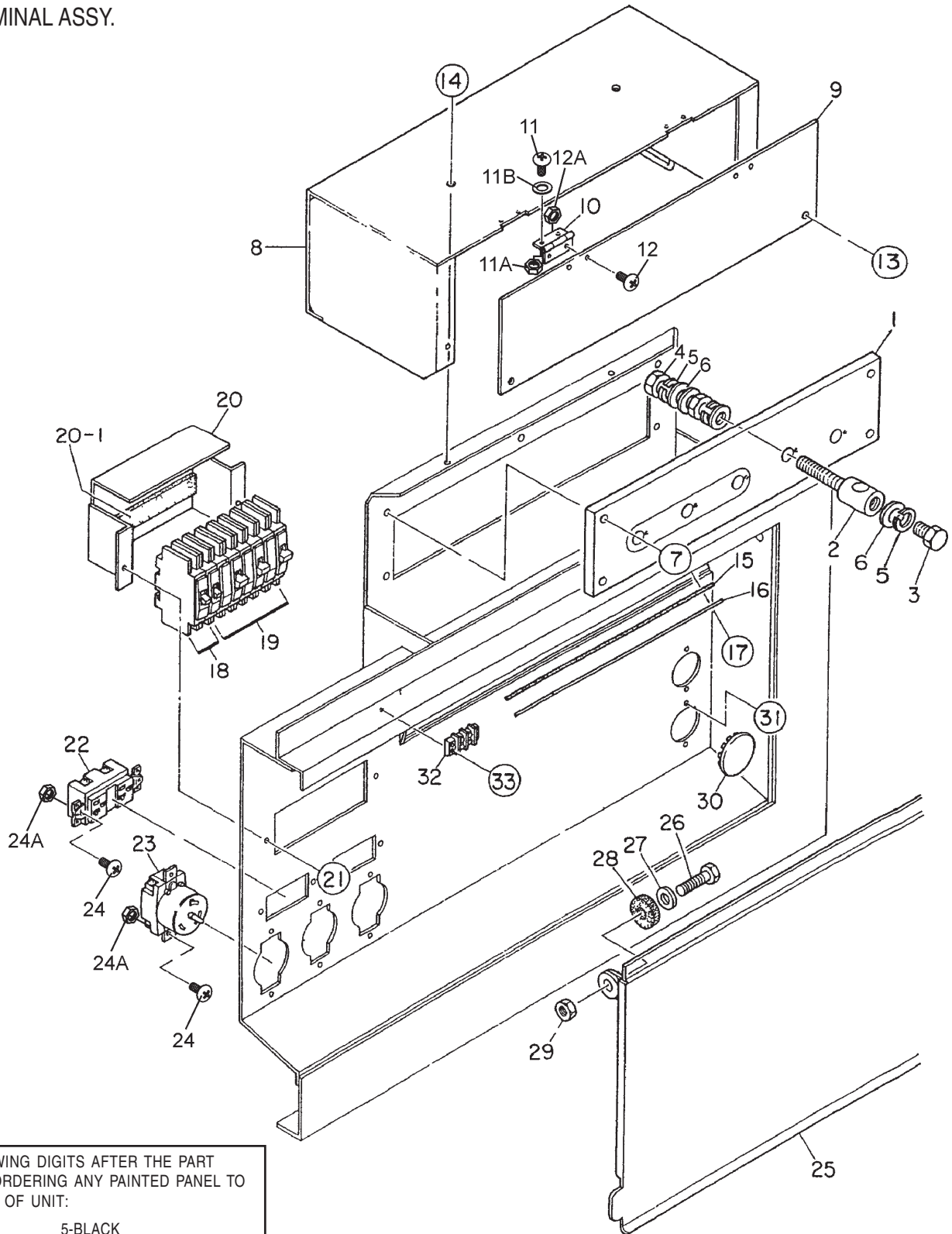
DCA-100SSVU— ENGINE AND RADIATOR ASSY.

ENGINE AND RADIATOR ASSY.

<u>NO</u>	<u>PART NO</u>	<u>PART NAME</u>	<u>QTY.</u>	<u>REMARKS</u>
1	M3923200044	ENGINE & RADIATOR SET	1	TAD520GE
1-1	V3840033	ELEMENT, AIR CLEANER	1	REPLACES P/N 0602046622
1-2	V3831236	CARTRIDGE, OIL FILTER	1	REPLACES P/N 0602041277
1-3	V20549350	CARTRIDGE, FUEL FILTER	1	REPLACES P/N 0602042560
2	M3303200204	ENGINE FOOT	1	
3	M3303200304	ENGINE FOOT	1	
4	0012112040	HEX HEAD BOLT	4	
5	0030312000	HEX NUT	4	
6	0042512000	WASHER, LOCK	4	
7	0605000450	RUBBER SUSPENSION	2	
8	0030012000	HEX NUT	2	
9	0040012000	WASHER, LOCK	2	
10	M3310201104	RADIATOR BRACKET	2	
11	0016908020	HEX HEAD BOLT	4	
12	M3310200814	SEAL BRACKET	1	
13	0283202350	SEAL RUBBER	1	
14	0222900510	SEAL RUBBER	2	
15	0016906020	HEX HEAD BOLT	6	
16	0602022563	ADAPTER	1	
17	0802022561	90 DEG. ELBOW	1	
18	0803306590	CONNECTOR	1	
19	0603300285	ROCKNUT	1	
20	0605511395	VALVE	1	
21	0603306395	HOSE JOINT	1	
22	0802021070	CAP	1	
23	0269200800	DRAIN HOSE	1	
24	M3310600104	DRAIN JOINT	1	
25	0199800800	DRAIN HOSE	1	
26	0193101200	OVER FLOW HOSE	1	
27	V978515	V-BELT ALTERNATOR	1	
28	V20405794	ALTERNATOR	1	
29	V978750	V-BELT, FUEL PUMP	1	
30	V20412278	HOSE RADIATOR, UPPER	1	
31	V20412279	HOSE RADIATOR	1	
32	V20405779	MONITOR, OIL PRESSURE	1	
33	V20543720	TEMPERATURE SENSOR UNIT	1	

DCA-100SSVU— OUTPUT TERMINAL ASSY.

OUTPUT TERMINAL ASSY.



ADD THE FOLLOWING DIGITS AFTER THE PART NUMBER WHEN ORDERING ANY PAINTED PANEL TO INDICATE COLOR OF UNIT:

- | | |
|-----------------|----------------------|
| 1-ORANGE | 5-BLACK |
| 2-WHITE | 6-CATERPILLAR YELLOW |
| 3-SPECTRUM GREY | 7-CATO GOLD |
| 4-SUNBELT GREEN | 8-RED |

THE SERIAL NUMBER MAY BE REQUIRED.

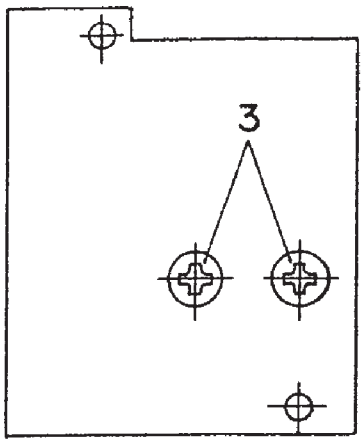
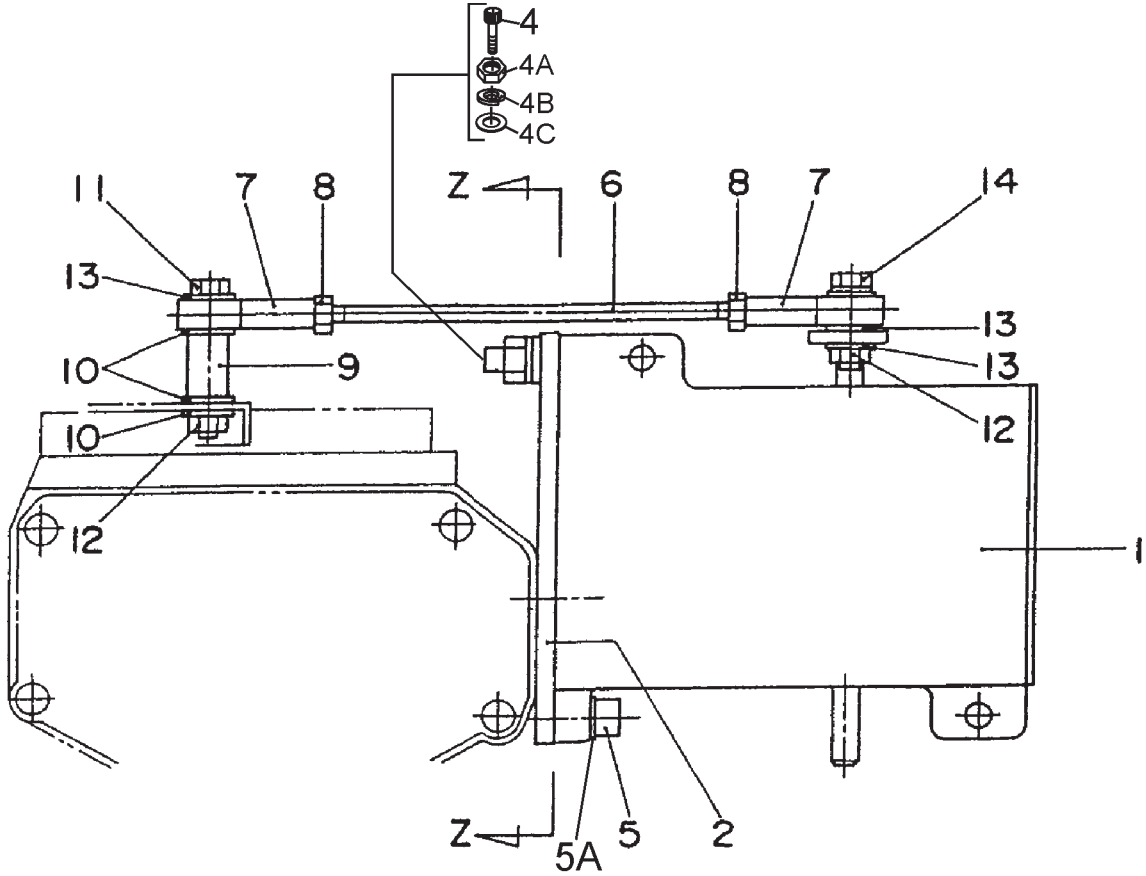
DCA-100SSVU— OUTPUT TERMINAL ASSY.

OUTPUT TERMINAL ASSY.

<u>NO</u>	<u>PART NO</u>	<u>PART NAME</u>	<u>QTY.</u>	<u>REMARKS</u>
1	M3230700003	TERMINAL PANEL	1	
2	M9220100304	OUTPUT TERMINAL BOLT	5	
3	M9220100404	TIE BOLT	5	
4	0039316000	HEX NUT	10	
5	0040016000	WASHER, LOCK	15	
6	0041416000	WASHER, FLAT	20	
7	0016908035	HEX HEAD BOLT	5	
8	M3238100103	TERMINAL COVER	1	
9	M3236100104	OUTPUT WINDOW	1	
10	0606010040	HINGE	2	
11	0027103010	MACHINE SCREW	4	
11A	0030003000	HEX NUT	4	
11B	0041203000	WASHER, FLAT	4	
12	0027103010	MACHINE SCREW	4	
12A	0030003000	HEX NUT	4	
13	0016906020	HEX HEAD BOLT	2	
14	0016906016	HEX HEAD BOLT	4	
15	M3236400004	CABLE OUTLET COVER	1	
16	M3236300004	SUPPORTER, CABLE OUTLET COVER	1	
17	0016906020	HEX HEAD BOLT	6	
18	0601808803	CIRCUIT BREAKER, 120V,1P 20A	2	
19	0601808804	CIRCUIT BREAKER, 250V, 2P 50A	3	
20	M1260700304	BREAKER FITTING COVER	1	
20-1	0222100150	CUSHION RUBBER	1	
21	0016906020	HEX HEAD BOLT	2	
22	0601812598	RECEPTACLE, 125V 20A X 2	2	
23	0601812538	RECEPTACLE, CS6369 250V 50A	2	
24	0027104016	MACHINE SCREW	10	
24A	0207004000	HEX NUT	10	
25	M3236100213	TERMINAL COVER	1	
26	0010112045	HEX HEAD BOLT	2	
27	0041212000	PLAIN WASHER	2	
28	M9310200004	STAY RUBBER	2	
29	0030012000	HEX NUT	2	
30	0603306775	BIND PLUG	2	
31	0027104016	MACHINE SCREW	4	
32	0601815194	TERMINAL	1	
33	0027104016	MACHINE SCREW	2	

DCA-100SSVU — ACTUATOR ASSY.

ACTUATOR ASSY.



SECTION Z-Z

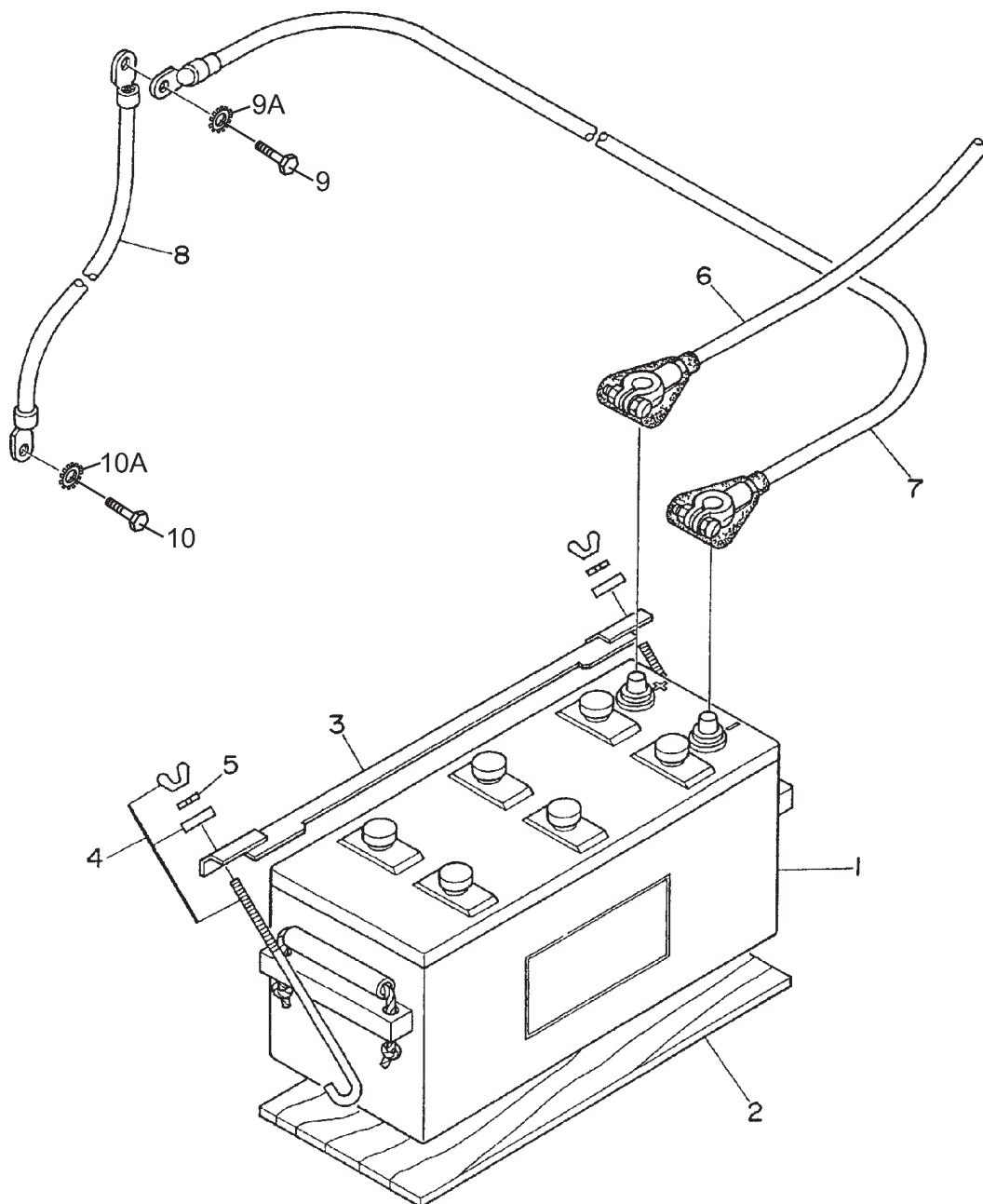
DCA-100SSVU — ACTUATOR ASSY.

ACTUATOR ASSY.

<u>NO</u>	<u>PART NO</u>	<u>PART NAME</u>	<u>QTY.</u>	<u>REMARKS</u>
1	0602150070	ACTUATOR	1	
2	M3354200004	ACTUATOR BRACKET	1	
3	0021108020	FLAT HEAD SCREW	2	
4	0014208035	HEX SOCKET HEAD CAP SCREW	1	
4A	0030008000	HEX NUT	1	
4B	0040008000	WASHER, LOCK	1	
4C	0041208000	WASHER, FLAT	2	
5	0014208035	HEX SOCKET HEAD CAP SCREW	1	
5A	0041208000	WASHER, FLAT	1	
6	M3354300404	THROTTLE THREAD	1	
7	0602180290	ROD END	2	
8	0038202000	HEX NUT	2	
9	M3351800004	COLLAR	1	
10	0041208000	PLAIN WASHER	3	
11	0010106040	HEX HEAD BOLT	1	
12	0030006000	HEX NUT	2	
13	0041206000	WASHER, FLAT	3	
14	0017106025	HEX HEAD BOLT	1	

DCA-100SSVU— BATTERY ASSY.

BATTERY ASSY.



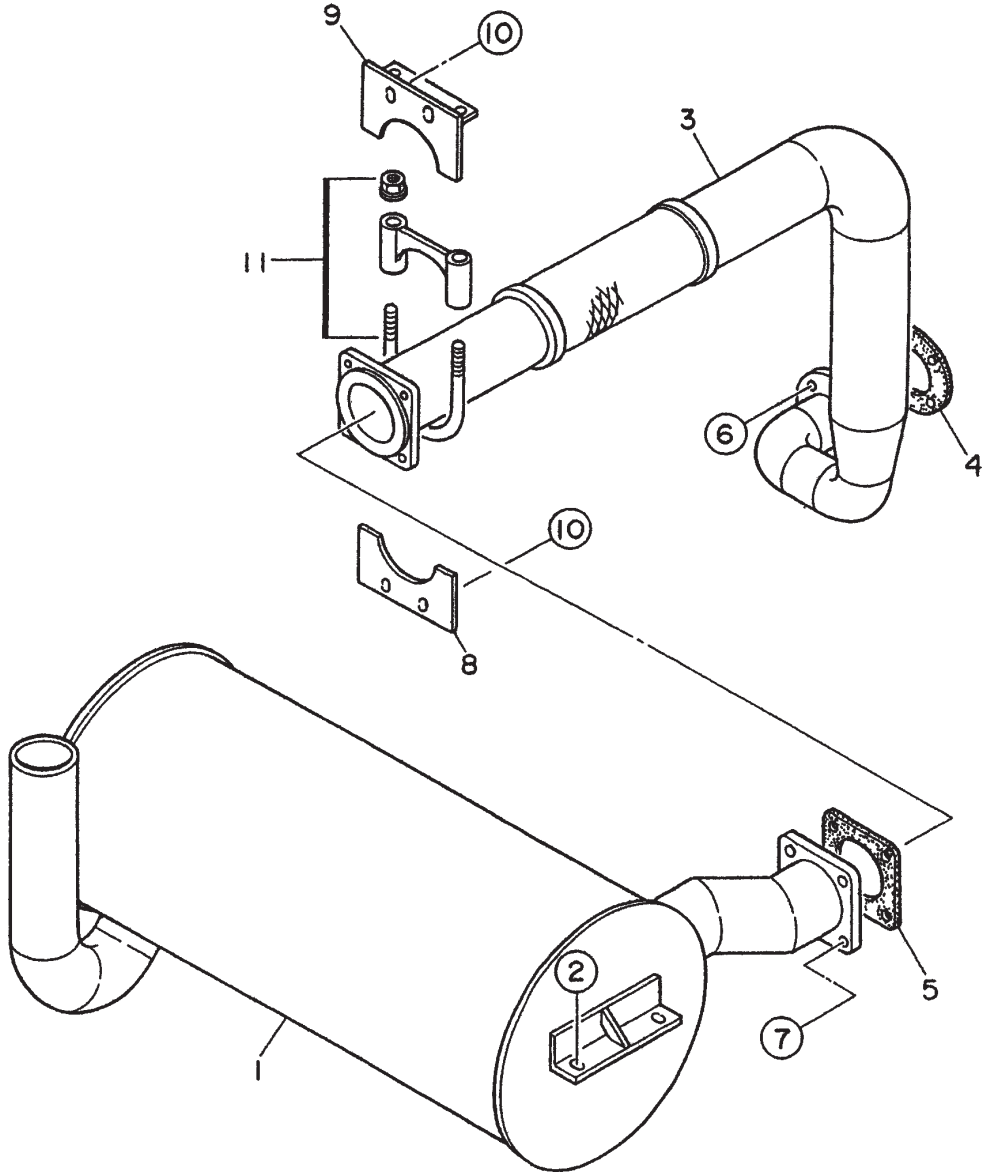
DCA-100SSVU— BATTERY ASSY.

BATTERY ASSY.

<u>NO</u>	<u>PART NO</u>	<u>PART NAME</u>	<u>QTY.</u>	<u>REMARKS</u>
1	0602220196	BATTERY	1	
2	M9310500404	BATTERY SHEET	1	
3	M9103000504	BATTERY BAND	1	
4	0602220921	BATTERY BOLT SET	2	
5	0040006000	SPRING WASHER	2	
6	M3346900804	BATTERY CABLE	1	
7	M3346900604	BATTERY CABLE	1	
8		CABLE	1 MAKE LOCALLY
9	0017112025	HEX HEAD BOLT	1	
9A	0040512000	TOOTHED WASHER	1	
10	0017110020	HEX HEAD BOLT	1	
10A	0040510000	TOOTHED WASHER	1	

DCA-100SSVU— MUFFLER ASSY.

MUFFLER ASSY.



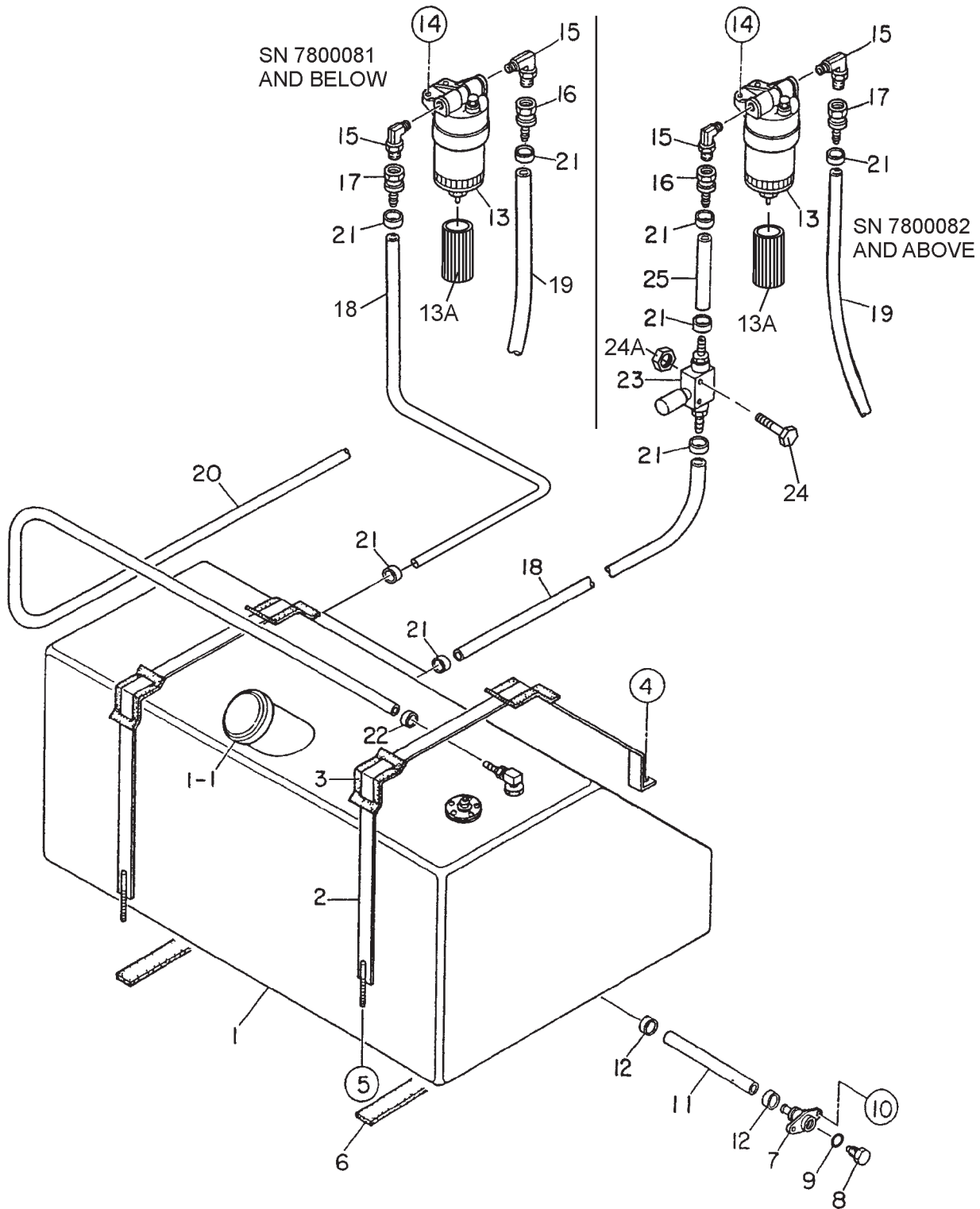
DCA-100SSVU— MUFFLER ASSY.

MUFFLER ASSY.

<u>NO</u>	<u>PART NO</u>	<u>PART NAME</u>	<u>QTY.</u>	<u>REMARKS</u>
1	0602300167	MUFFLER	1	
2	0016910025	HEX HEAD BOLT	4	
3	M3333000713	EXHAUST PIPE	1	S/N 7800001~7800012
3	M3333000733	EXHAUST PIPE	1	S/N 7800013 AND ABOVE
4	0602320198	GASKET	1	
5	M3333200004	GASKET	1	
6	0017110040	HEX HEAD BOLT	4	
7	0017110040	HEX HEAD BOLT	4	
8	M3330400304	COVER	1	
9	M3330400403	BRACKET	1	
10	0016908020	HEX HEAD BOLT	4	
11	0602326061	U-BOLT SET	1	

DCA-100SSVU— FUEL TANK ASSY.

FUEL TANK ASSY.



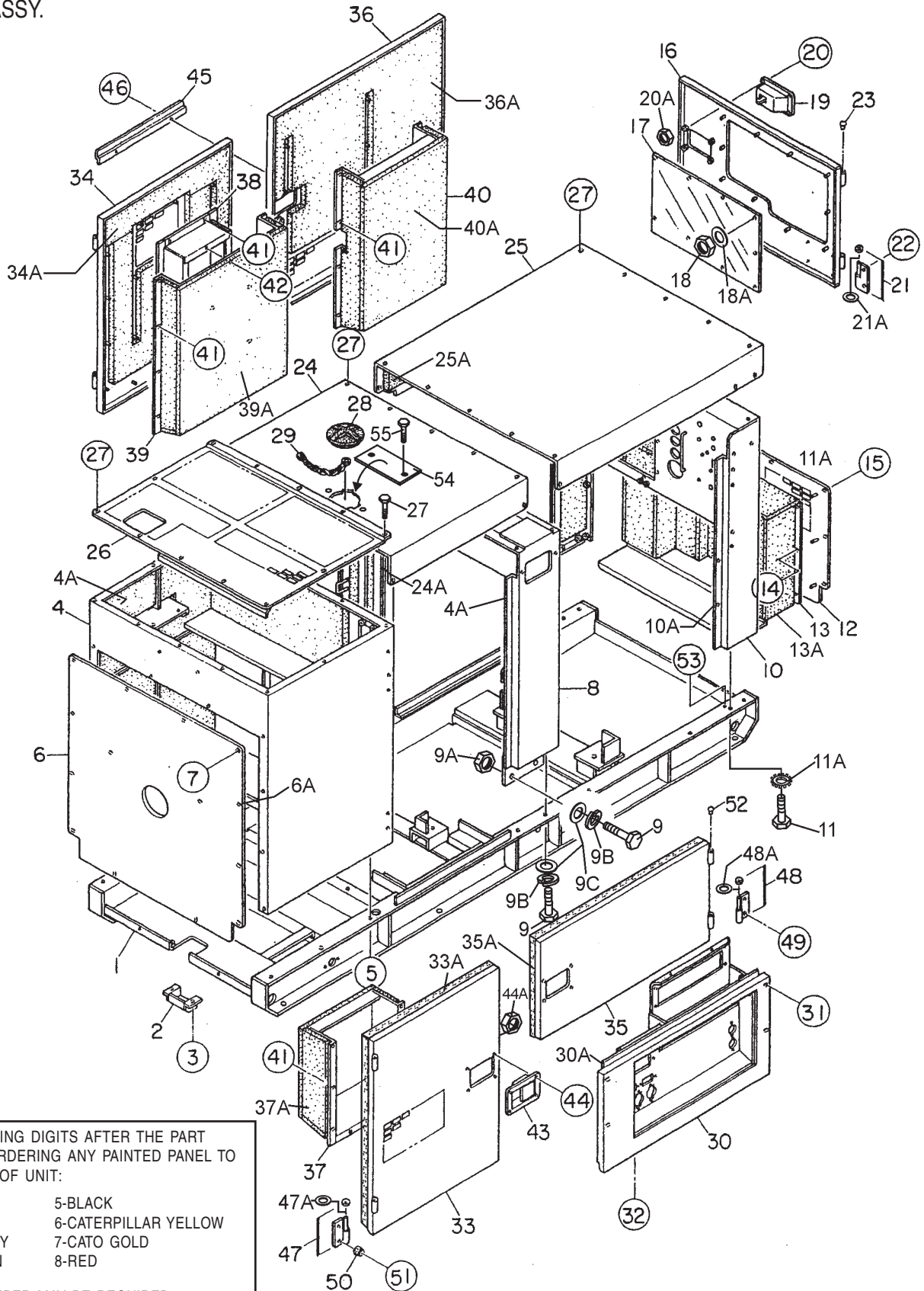
DCA-100SSVU— FUEL TANK ASSY.

FUEL TANK ASSY.

<u>NO</u>	<u>PART NO</u>	<u>PART NAME</u>	<u>QTY.</u>	<u>REMARKS</u>
1	M3363001002	FUEL TANK	1	
1-1	0605505070	CAP, FUEL TANK	1	
2	M3363200204	TANK BAND	2	
3	M9310500104	SUPPORTER SHEET	4	
4	0016908020	HEX HEAD BOLT	2	
5	0207308000	HEX NUT	2	
6	0222100660	RUBBER SHEET	2	
7	M9200000003	DRAIN JOINT	1	
8	M9200200004	DRAIN BOLT	1	
9	0150000018	O RING	1	
10	0016906020	HEX HEAD BOLT	2	
11	M1363400104	DRAIN HOSE	1	
12	0605515198	HOSE BAND	2	
13	0602042266	WATER SEPARATOR	1	
13A	0602042766	ELEMENT	1	
14	0017110040	HEX HEAD BOLT	2	
15	0602022567	90 DEG. ELBOW	2	
16	0602022980	SWIVEL	2	
18	0191401250	SUCTION HOSE	1	S/N 7800081 AND BELOW
18	0191401050	SUCTION HOSE	1	S/N 7800082 AND ABOVE
19	0191400770	SUCTION HOSE	1	
20	0191302900	RETURN HOSE	1	
21	0605515198	HOSE BAND	4	S/N 7800081 AND BELOW
21	0605515198	HOSE BAND	6	S/N 7800082 AND ABOVE
22	0605515109	HOSE BAND	2	
23	0602023200	FUEL HAND PUMP	1	S/N 7800082 AND ABOVE
24	0017106045	HEX HEAD BOLT	2	S/N 7800082 AND ABOVE
24A	0207006000	HEX NUT	2	S/N 7800082 AND ABOVE
25	0191400135	SUCTION HOSE	1	S/N 7800082 AND ABOVE

DCA-100SSVU— ENCLOSURE ASSY.

ENCLOSURE ASSY.



ADD THE FOLLOWING DIGITS AFTER THE PART NUMBER WHEN ORDERING ANY PAINTED PANEL TO INDICATE COLOR OF UNIT:

- | | |
|-----------------|----------------------|
| 1-ORANGE | 5-BLACK |
| 2-WHITE | 6-CATERPILLAR YELLOW |
| 3-SPECTRUM GREY | 7-CATO GOLD |
| 4-SUNBELT GREEN | 8-RED |

THE SERIAL NUMBER MAY BE REQUIRED.

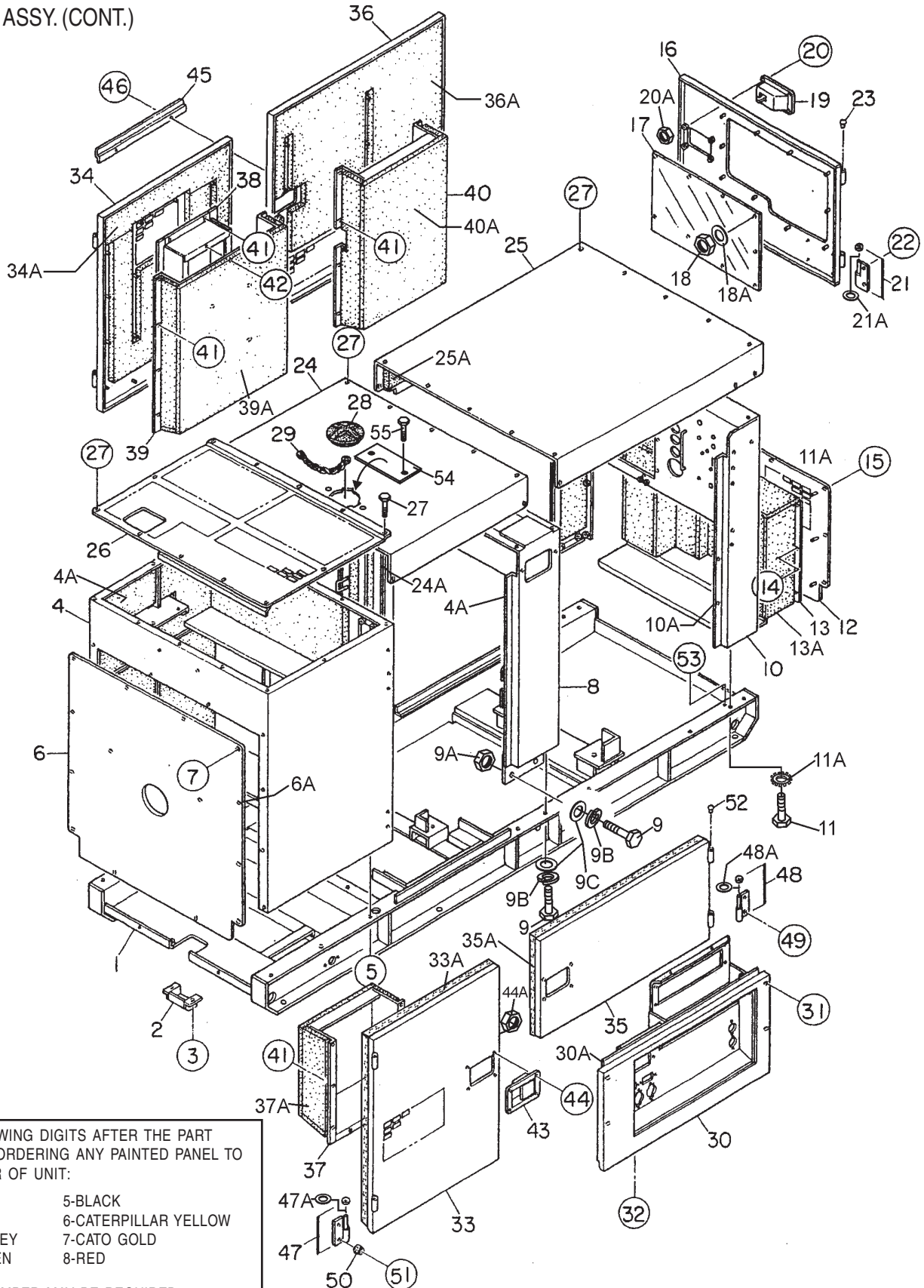
DCA-100SSVU— ENCLOSURE ASSY.

ENCLOSURE ASSY.

<u>NO</u>	<u>PART NO</u>	<u>PART NAME</u>	<u>QTY.</u>	<u>REMARKS</u>
1	M3413001612	BASE	1	
2	M1413400004	UNDER COVER	1	
3	0016908020	HEX HEAD BOLT	2	
4	M3423001012	FRONT FRAME	1	
4A	M3493105713	ACOUSTIC SHEET	1	
5	0016910025	HEX HEAD BOLT	6	
6	M3423200104	COVER, FRONT FRAME	1	
6A	M3493100304	ACOUSTIC SHEET	1	
7	0016908020	HEX HEAD BOLT	14	S/N 7800001~7800099
7	0019208020	HEX HEAD BOLT	14	S/N 7800100 AND ABOVE
8	M3433000712	CENTER FRAME	1	
8A	M3493200004	ACOUSTIC SHEET	1	
9	0010114040	HEX HEAD BOLT	12	
9A	0030014000	HEX NUT	12	
9B	0040014000	WASHER, LOCK	24	
9C	0041214000	WASHER, FLAT	24	
10	M344300212	REAR FRAME	1	S/N 7800001~7800129
10	M3443001002	REAR FRAME	1	S/N 7800130 AND ABOVE
10A	M3493300204	ACOUSTIC SHEET	1	
11	0016910025	HEX HEAD BOLT	4	
11A	0040510000	TOOTHED WASHER	1	
12	M3443300203	REAR COVER	1	
13	M3443300903	DUCT, REAR COVER	2	
13A	M3493302603	ACOUSTIC SHEET	1	
14	0207006000	HEX NUT	12	
15	0016908020	HEX HEAD BOLT	10	S/N 7800001~7800099
15	0019208020	HEX HEAD BOLT	10	S/N 7800100 AND ABOVE
16	M3443200113	REAR DOOR	1	
17	M3443600104	WINDOW PLATE	1	
18	0207306000	HEX NUT	10	
18A	0041206000	WASHER, FLAT	10	
19	M9113000002	DOOR HANDLE ASSY.	1	
20	0021806016	MACHINE SCREW	4	
20A	0030006000	HEX NUT	4	
21	M9110100204	HINGE	2	
21A	M9116100004	WASHER	2	
22	0016908020	HEX HEAD BOLT	3	S/N 7800001~7800099
22	0019208020	HEX HEAD BOLT	3	S/N 7800100 AND ABOVE
23	M9310000004	BLIND PLUG	2	
24	M3463100603	ROOF PANEL	1	S/N 7800001~7800214
24	M3463100613	ROOF PANEL	1	S/N 7800215 AND ABOVE
24A	M3493502703	ACOUSTIC SHEET	1	
25	M3463200403	ROOF PANEL	1	
25A	M3493502803	ACOUSTIC SHEET	1	

DCA-100SSVU— ENCLOSURE ASSY. (CONT.)

ENCLOSURE ASSY. (CONT.)



ADD THE FOLLOWING DIGITS AFTER THE PART NUMBER WHEN ORDERING ANY PAINTED PANEL TO INDICATE COLOR OF UNIT:

- | | |
|-----------------|----------------------|
| 1-ORANGE | 5-BLACK |
| 2-WHITE | 6-CATERPILLAR YELLOW |
| 3-SPECTRUM GREY | 7-CATO GOLD |
| 4-SUNBELT GREEN | 8-RED |

THE SERIAL NUMBER MAY BE REQUIRED.

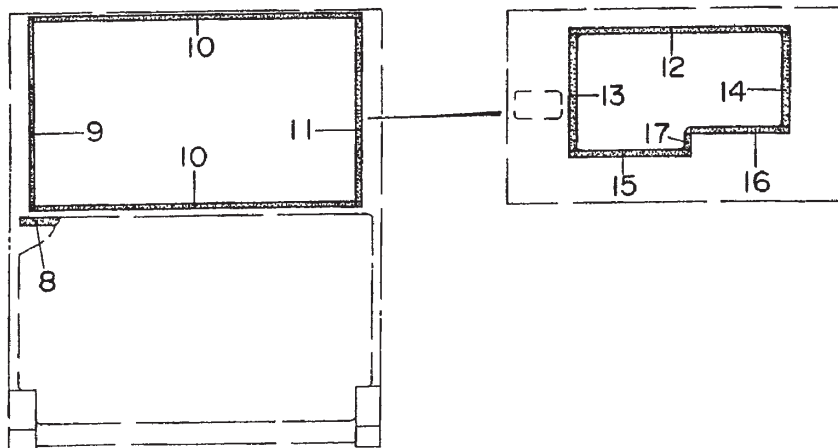
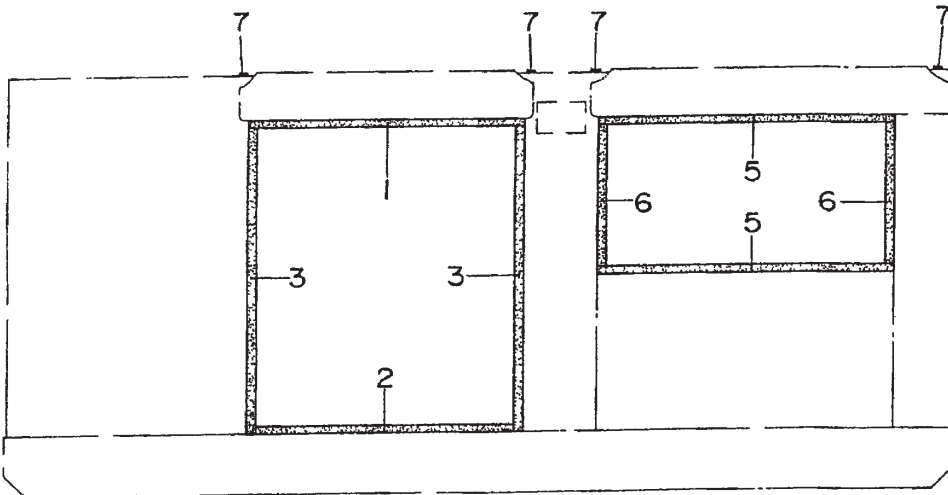
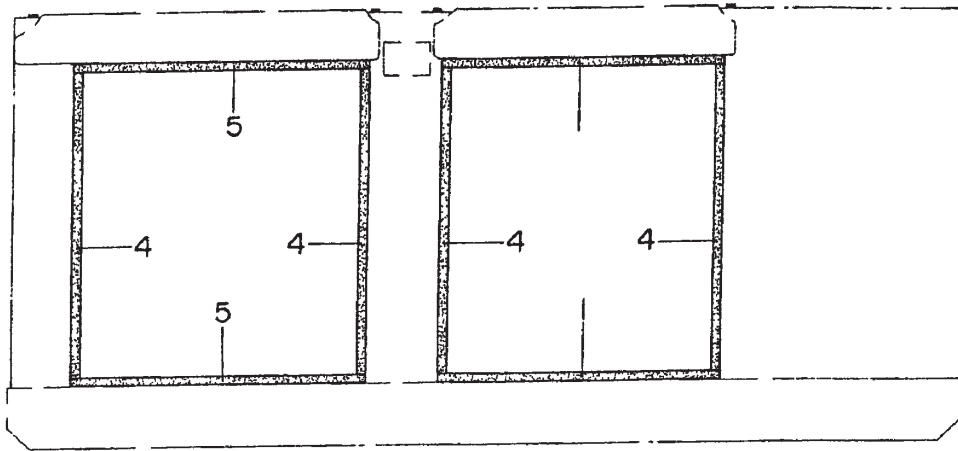
DCA-100SSVU— ENCLOSURE ASSY. (CONT.)

ENCLOSURE ASSY. (CONT.)

<u>NO</u>	<u>PART NO</u>	<u>PART NAME</u>	<u>QTY.</u>	<u>REMARKS</u>
26	M3463500404	OVER COVER, FRONT FRAME	1	
27	0016908020	HEX HEAD BOLT	37	S/N 7800001~7800099
27	0019208020	HEX HEAD BOLT	37	S/N 7800100 AND ABOVE
28	M9310000103	BONNET CAP	1	S/N 7800001~7800214
29	M1483600204	CHAIN ASSY	2	S/N 7800001~7800214
30	M3453200512	SPLASHER PANEL	1	
30A	M3493411904	ACOUSTIC SHEET	1	
31	0016908055	HEX HEAD BOLT	4	S/N 7800001~7800099
31	0019208055	HEX HEAD BOLT	4	S/N 7800100 AND ABOVE
32	M3453001813	HEX HEAD BOLT	2	
33	M3453001813	SIDE DOOR	1	
33A	M3493411414	ACOUSTIC SHEET	1	
34	M3453002403	SIDE DOOR	1	
34A	M3493411414	ACOUSTIC SHEET	1	
35	M3453002003	SIDE DOOR	1	
35A	M3493411604	ACOUSTIC SHEET	1	
36	M3453002113	SIDE DOOR	1	
36A	M3493411714	ACOUSTIC SHEET	1	
37	M3453302103	DUCT	1	
37A	M3493411314	ACOUSTIC SHEET	1	
38	M3453302003	DUCT	1	
39	M3453301903	DUCT	1	
39A	M3493411514	ACOUSTIC SHEET	1	
40	M3453302203	DUCT	1	
40A	M3493411814	ACOUSTIC SHEET	1	
41	0207006000	HEX NUT	34	
42	0016906016	HEX HEAD BOLT	5	
43	M9113000002	DOOR HANDLE ASSY.	4	
44	0021806016	MACHINE SCREW	16	
44A	0030006000	HEX NUT	16	
45	M3453700314	GUTTER	1	
46	0016906016	HEX HEAD BOLT	2	S/N 7800001~7800099
46	0019206016	HEX HEAD BOLT	2	S/N 7800100 AND ABOVE
47	M9110100204	HINGE	4	
47A	M9116100004	WASHER	4	
48	M9110100304	HINGE	4	
48A	M9116100004	WASHER	4	
49	0016908020	HEX HEAD BOLT	9	S/N 7800001~7800099
49	0019208020	HEX HEAD BOLT	9	S/N 7800100 AND ABOVE
50	0601850097	STOPPER	8	
51	0027208025	MACHINE SCREW	8	
52	M9310000004	BLIND PLUG	8	
53	0016908020	HEX HEAD BOLT	1	
53A	0040508000	TOOTHED WASHER	1	
54	M1465400104	COVER	1	S/N 7800215 AND ABOVE
55	0019208020	HEX HEAD BOLT	2	S/N 7800215 AND ABOVE

DCA-100SSVU— RUBBER SEALS ASSY.

RUBBER SEALS ASSY.



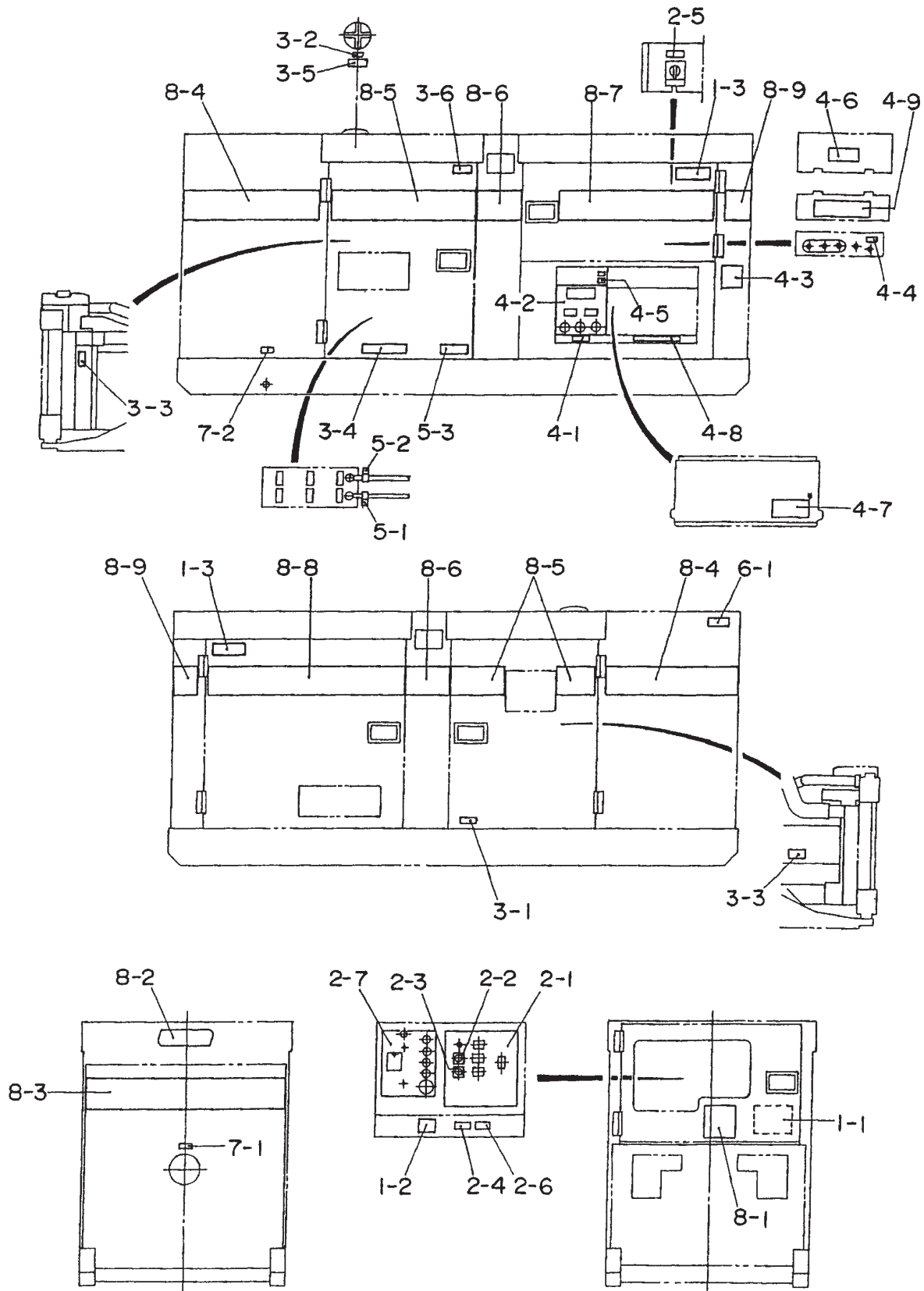
DCA-100SSVU— RUBBER SEALS ASSY.

RUBBER SEALS ASSY.

<u>NO</u>	<u>PART NO</u>	<u>PART NAME</u>	<u>QTY.</u>	<u>REMARKS</u>
1	0228900785	SEAL RUBBER	3	
2	0229200725	SEAL RUBBER	1	
3	0228901020	SEAL RUBBER	2	
4	0228900990	SEAL RUBBER	4	
5	0228901060	SEAL RUBBER	4	
6	0228900470	SEAL RUBBER	2	
7	0229201100	SEAL RUBBER	4	
8	0229201040	SEAL RUBBER	1	
9	0228800630	SEAL RUBBER	1	
10	0228800970	SEAL RUBBER	2	
11	0228800590	SEAL RUBBER	1	
12	0228100665	SEAL RUBBER	1	
13	0228100370	SEAL RUBBER	1	
14	0228100300	SEAL RUBBER	1	
15	0228100365	SEAL RUBBER	1	
16	0228100280	SEAL RUBBER	1	
17	0228100070	SEAL RUBBER	1	

DCA-100SSVU— NAMEPLATE AND DECALS ASSY.

NAMEPLATE AND DECALS ASSY.



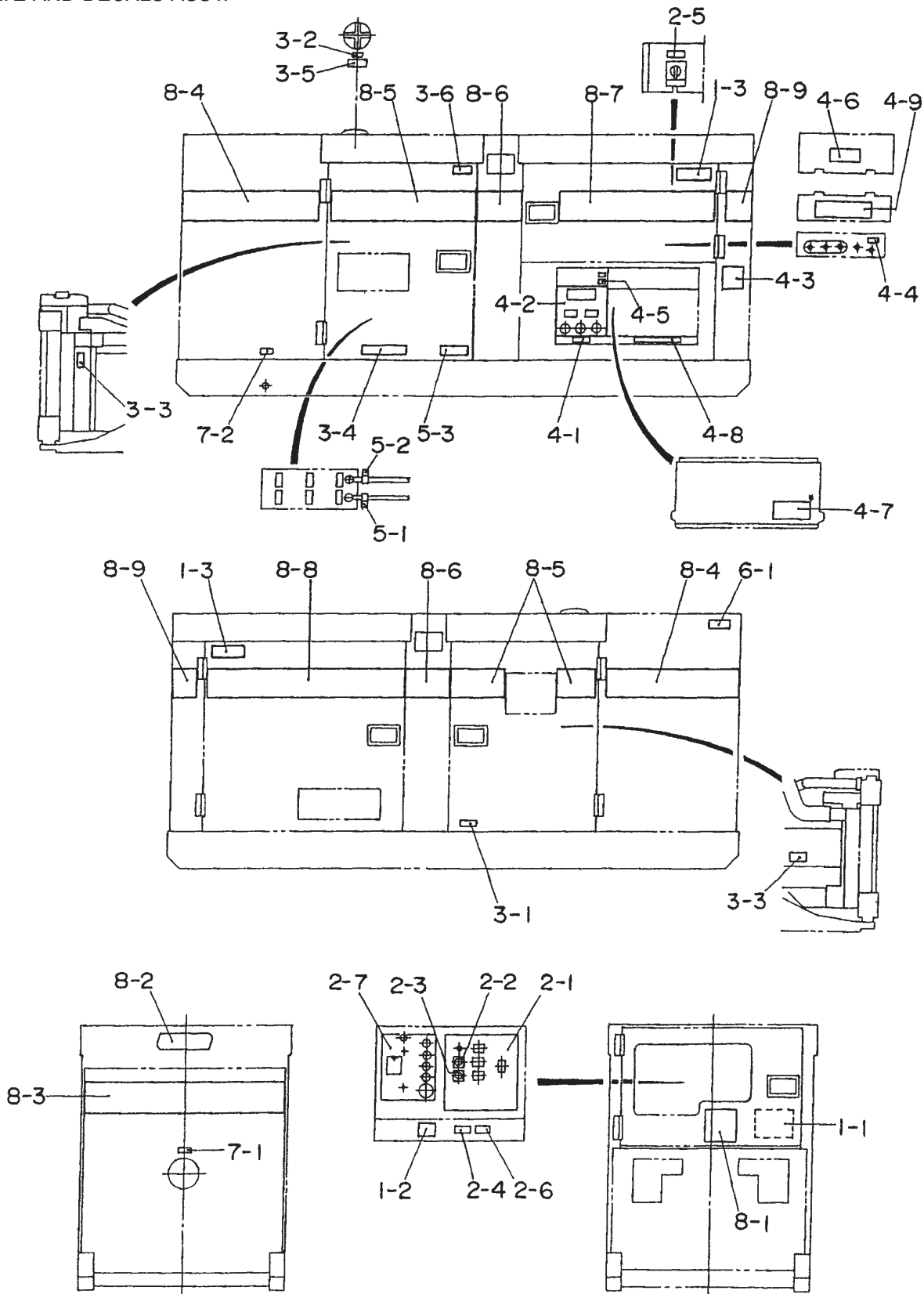
DCA-100SSVU— NAMEPLATE AND DECALS ASSY.

NAMEPLATE AND DECALS ASSY.

<u>NO</u>	<u>PART NO</u>	<u>PART NAME</u>	<u>QTY.</u>	<u>REMARKS</u>
1-1	M3552000403	DECAL; OPERATING PROCEDURES	1	M35200040
1-2	M9520100304	DECAL; SAFETY INSTRUCTIONS	1	M92010030
1-3	M9520100603	DECAL; CAUTION	2	M92010060
CONTROL PANEL, BOX & OPERATING PANEL GROUP				
2-1	M3550001403	DECAL; CONTROL PANEL	1	M35000140
2-2	M9520000104	PLATE; AMMETER CHANGE-OVER SWITCH	1	M92000010
2-3	M9520000204	PLATE; VOLTMETER CHANGE-OVER SWITCH ...	1	M92000020
2-4	M9520100004	DECAL; WARNING ELECTRIC SHOCK HAZARD .	1	M92010000
2-5	M9520100204	DECAL; CAUTION	1	M92010020A
2-6	M9520200104	DECAL; OVER CURRENT RELAY	1	M92020010
	M9520200404	DECAL; OVER CURRENT RELAY	1	M92020040
2-7	M3550001503	DECAL; OPERATING PANEL	1	M35000150
ENGINE & RADIATOR GROUP				
3-1	M9500000004	DECAL; OIL DRAIN PLUG	1	M90000000
3-2	M9500100004	DECAL; WATER	1	M90010000
3-3	M9503000004	DECAL; WARNING MOVING PARTS	2	M90300000
3-4	M9503000103	DECAL; WATER * OIL CHECK	1	M90300010
3-5	M9503100004	DECAL; WARNING HOT COOLANT	1	M90310000
3-6	M9510100004	DECAL; CAUTION HOT PARTS	1	M91010000
OUTPUT TERMINAL GROUP				
4-1	M1550000204	DECAL; NOTE	1	M15000020
4-2	M1550000703	DECAL; RECEPTACLE & CIRCUIT BREAKER	1	M15000070
4-3	M3550000304	DECAL; NOTE	1	M35000030
4-4	M9520000004	DECAL; GROUND	1	M92000000
4-5	M9520000504	DECAL; START CONTACT	1	M92000050
4-6	M9520100004	DECAL; WARNING ELECT. SHOCK HAZARD	1	M92010000
4-7	M9520100404	DECAL; DANGER HIGH VOLTAGE	1	M92010040
4-8	M9520100503	DECAL; WARNING	1	M92010050
4-9	M9520200003	DECAL; OUTPUT TERMINAL	1	M92020000
BATTERY GROUP				
5-1	M9500300004	DECAL; -	1	M90030000
5-2	M9500300104	DECAL; +	1	M90030010
5-3	M9510100403	DECAL; CAUTION	1	M91010040

DCA-100SSVU— NAMEPLATE AND DECALS ASSY.

NAMEPLATE AND DECALS ASSY.



DCA-100SSVU— NAMEPLATE AND DECALS ASSY.

NAMEPLATE AND DECALS ASSY.

<u>NO</u>	<u>PART NO</u>	<u>PART NAME</u>	<u>QTY.</u>	<u>REMARKS</u>
		MUFFLER GROUP		
6-1	M9503200004	DECAL; WARNING ENGINE EXHAUST	1	M90320000
		FUEL TANK GROUP		
7-1	M9500500004	DECAL; DIESEL FUEL	1	M90050000
7-2	M9500500104	DECAL; FUEL DRAIN PLUG	1	M90050010
		ENCLOSURE GROUP		
8-1	M9510200002	DECAL; MQ	1	M91020000
8-2	0600500090	EMBLEM	1	
9-2A	0021106015	MACHINE SCREW	2	
8-3	M3560100003	STRIPE	1	
8-4	M3560100103	STRIPE	2	
8-5	M3560101904	STRIPE	2	
8-6	M3560100404	STRIPE	2	
8-7	M3560101704	STRIPE	1	
8-8	M3560101804	STRIPE	1	
8-9	M3560100604	STRIPE	2	

PAYMENT TERMS

Terms of payment for parts are net 10 days.

FREIGHT POLICY

All parts orders will be shipped collect or prepaid with the charges added to the invoice. All shipments are F.O.B. point of origin. Multiquip's responsibility ceases when a signed manifest has been obtained from the carrier, and any claim for shortage or damage must be settled between the consignee and the carrier.

MINIMUM ORDER

The minimum charge for orders from Multiquip is \$15.00 net. Customers will be asked for instructions regarding handling of orders not meeting this requirement.

RETURNED GOODS POLICY

Return shipments will be accepted and credit will be allowed, subject to the following provisions:

1. A Returned Material Authorization must be approved by Multiquip prior to shipment.
2. To obtain a Return Material Authorization, a list must be provided to Multiquip Parts Sales that defines item numbers, quantities, and descriptions of the items to be returned.
 - a. The parts numbers and descriptions must match the current parts price list.
 - b. The list must be typed or computer generated.
 - c. The list must state the reason(s) for the return.
 - d. The list must reference the sales order(s) or invoice(s) under which the items were originally purchased.
 - e. The list must include the name and phone number of the person requesting the RMA.
3. A copy of the Return Material Authorization must accompany the return shipment.
4. Freight is at the sender's expense. All parts must be returned freight prepaid to Multiquip's designated receiving point.

5. Parts must be in new and resalable condition, in the original Multiquip package (if any), and with Multiquip part numbers clearly marked.

6. The following items are not returnable:
 - a. Obsolete parts. (If an item is in the price book and shows as being replaced by another item, it is obsolete.)
 - b. Any parts with a limited shelf life (such as gaskets, seals, "O" rings, and other rubber parts) that were purchased more than six months prior to the return date.
 - c. Any line item with an extended dealer net price of less than \$5.00.
 - d. Special order items.
 - e. Electrical components.
 - f. Paint, chemicals, and lubricants.
 - g. Decals and paper products.
 - h. Items purchased in kits.

7. The sender will be notified of any material received that is not acceptable.

8. Such material will be held for five working days from notification, pending instructions. If a reply is not received within five days, the material will be returned to the sender at his expense.

9. Credit on returned parts will be issued at dealer net price at time of the original purchase, less a 15% restocking charge.

10. In cases where an item is accepted, for which the original purchase document can not be determined, the price will be based on the list price that was effective twelve months prior to the RMA date.

11. Credit issued will be applied to future purchases only.

PRICING AND REBATES

Prices are subject to change without prior notice. Price changes are effective on a specific date and all orders received on or after that date will be billed at the revised price. Rebates

for price declines and added charges for price increases will not be made for stock on hand at the time of any price change.

Multiquip reserves the right to quote and sell direct to Government agencies, and to Original Equipment Manufacturer accounts who use our products as integral parts of their own products.

SPECIAL EXPEDITING SERVICE

A \$35.00 surcharge will be added to the invoice for special handling including bus shipments, insured parcel post or in cases where Multiquip must personally deliver the parts to the carrier.

LIMITATIONS OF SELLER'S LIABILITY

Multiquip shall not be liable here under for damages in excess of the purchase price of the item with respect to which damages are claimed, and in no event shall Multiquip be liable for loss of profit or good will or for any other special, consequential or incidental damages.

LIMITATION OF WARRANTIES

No warranties, express or implied, are made in connection with the sale of parts or trade accessories nor as to any engine not manufactured by Multiquip. Such warranties made in connection with the sale of new, complete units are made exclusively by a statement of warranty packaged with such units, and Multiquip neither assumes nor authorizes any person to assume for it any other obligation or liability whatever in connection with the sale of its products. Apart from such written statement of warranty, there are no warranties, express, implied or statutory, which extend beyond the description of the products on the face hereof.

OPERATION AND PARTS MANUAL

HERE'S HOW TO GET HELP

PLEASE HAVE THE MODEL AND SERIAL
NUMBER *ON-HAND* WHEN CALLING

MQ POWER CORPORATE OFFICE

18910 Wilmington Ave. 800-421-1244
Carson, CA 90746 FAX: 310-632-2656
Email: mqpower@multiquip.com
Internet: www.mqpower.com

PARTS DEPARTMENT

800-427-1244 FAX: 800-672-7877
310-537-3700 FAX: 310-637-3284

SERVICE DEPARTMENT

800-835-2551 FAX: 310-638-8046
310-537-3700

TECHNICAL ASSISTANCE

800-835-2551 FAX: 310-638-8046

WARRANTY DEPARTMENT

800-835-2551, EXT. 279 FAX: 310-638-8046
310-537-3700, EXT. 279

Manufactured for Multiquip Inc.
by
DENYO CO., LTD, JAPAN

Your Local Dealer is:



MQ POWER

A Division of Multiquip Inc.

POST OFFICE BOX 6254

CARSON, CA 90749

310-537-3700 • 800-421-1244

FAX: 310-632-2656

E-mail: mqpower@multiquip.com

Internet: www.mqpower.com

Free Manuals Download Website

<http://myh66.com>

<http://usermanuals.us>

<http://www.somanuals.com>

<http://www.4manuals.cc>

<http://www.manual-lib.com>

<http://www.404manual.com>

<http://www.luxmanual.com>

<http://aubethermostatmanual.com>

Golf course search by state

<http://golfingnear.com>

Email search by domain

<http://emailbydomain.com>

Auto manuals search

<http://auto.somanuals.com>

TV manuals search

<http://tv.somanuals.com>