

# PARTS AND OPERATION MANUAL

## MQ POWER MODEL DCA-150SSKII PORTABLE GENERATOR

© COPYRIGHT 2000, MULTIQUIP INC.

Revision #2 (05/08/01)



**MULTIQUIP INC.**  
18910 WILMINGTON AVE.  
CARSON, CALIFORNIA 90746  
310-537-3700  
800-421-1244  
FAX: 310-537-3927  
E-mail: [mq@multiquip.com](mailto:mq@multiquip.com) • [www.multiquip.com](http://www.multiquip.com)

**PARTS DEPARTMENT:**  
800-427-1244  
FAX: 800-672-7877

**SERVICE DEPARTMENT:**  
800-835-2551  
FAX: 310-638-8046



# **WARNING**



## **CALIFORNIA — Proposition 65 Warning**

**Diesel engine exhaust and some of its constituents are known to the State of California to cause cancer, birth defects and other reproductive harm.**

## **HERE'S HOW TO GET HELP**

*PLEASE HAVE THE MODEL AND SERIAL NUMBER  
ON-HAND WHEN CALLING*

### ***PARTS DEPARTMENT***

*800/427-1244 or 310/537-3700*

*FAX: 800/672-7877 or 310/637-3284*

### ***SERVICE DEPARTMENT***

*800/835-2551 or 310/537-3700*

*FAX: 310/638-8046*

### ***WARRANTY DEPARTMENT***

*800/835-2551 or 310/537-3700*

*FAX: 310/638-8046*

### ***MAIN***

*800/421-1244 or 310/537-3700*

*FAX: 310/537-3927*

# TABLE OF CONTENTS

|                                                |       |                                            |       |
|------------------------------------------------|-------|--------------------------------------------|-------|
| Here's How To Get Help .....                   | 3     | Generator Assembly .....                   | 60-61 |
| Table Of Contents .....                        | 4     | Control Box Assembly .....                 | 62-65 |
| Parts Ordering Procedures .....                | 5     | Engine Radiator Assembly .....             | 66-69 |
| Rules For Safe Operation .....                 | 6-9   | Engine Operating Panel Assembly .....      | 70-73 |
| Towing .....                                   | 10    | Battery Assembly .....                     | 74-75 |
| Trailer Safety Guidelines .....                | 11    | Muffler Assembly .....                     | 76-77 |
| Trailer Specifications .....                   | 12-13 | Fuel Tank Assembly .....                   | 78-79 |
| Trailer Braking System .....                   | 14-15 | Enclosure Assembly .....                   | 80-83 |
| Trailer Tires & Suspension .....               | 16-17 | Enclosure (Rubber Seals) .....             | 84-85 |
| Trailer Wire Diagram .....                     | 18    | Name Plate and Decals .....                | 86-89 |
| Trailer Electric Brakes Troubleshooting .....  | 19    |                                            |       |
| Trailer Hydraulic Brakes Troubleshooting ..... | 20    | Terms and Conditions Of Sale — Parts ..... | 90    |
| Operation And Safety Decals .....              | 21-22 |                                            |       |
| Specifications .....                           | 23    |                                            |       |
| General Information .....                      | 24    |                                            |       |

## MQ Power DCA-150SSKII AC Generator

|                                              |       |
|----------------------------------------------|-------|
| Major Components .....                       | 26    |
| Dimensions (Top, Side And Rear) .....        | 27    |
| Control Panel .....                          | 28-29 |
| Engine Operating Panel .....                 | 30-31 |
| Output Terminal Panel .....                  | 32-39 |
| Installation .....                           | 40-41 |
| Pre-Setup .....                              | 42-45 |
| Load Application .....                       | 46    |
| Generator Start-Up Procedure (Manual) .....  | 47-49 |
| Generator Start-Up Procedure (Auto) .....    | 50    |
| Generator Shut-Down Procedure .....          | 51    |
| Maintenance .....                            | 51-53 |
| Troubleshooting (Engine) .....               | 54-55 |
| Troubleshooting (Generator/Engine) .....     | 56    |
| Troubleshooting (MPEC) .....                 | 57    |
| Explanation Of Codes In Remarks Column ..... | 58    |
| Suggested Spare Parts .....                  | 59    |

### NOTE

*Specification and part number are subject to change without notice.*

- Dealer account number
- Dealer name and address
- Shipping address (if different than billing address)
- Return fax number
- Applicable model number
- Quantity, part number and description of each part
- Specify preferred method of shipment:
  - UPS Ground
  - UPS Second Day or Third Day\*
  - UPS Next Day\*
  - Federal Express Priority One (please provide us with your Federal Express account number)\*
  - Airborne Express\*
  - Truck or parcel post

*\*Normally shipped the same day the order is received, if prior to 2PM west coast time.*

## Earn Extra Discounts when you order by FAX!

All parts orders which include complete part numbers and are received by fax qualify for the following extra discounts:

| <u>Number of line items ordered</u> | <u>Additional Discount</u> |
|-------------------------------------|----------------------------|
| 1-9 items                           | 3%                         |
| 10+ items**                         | 5%                         |

**Get special freight allowances when you order 10 or more line items via FAX! \*\***

- UPS Ground Service at no charge for freight
- PS Third Day Service at one-half of actual freight cost

No other allowances on freight shipped by any other carrier.

\*\*Common nuts, bolts and washers (all items under \$1.00 list price) do not count towards the 10+ line items.

\*DISCOUNTS ARE SUBJECT TO CHANGE\*

Fax order discount and UPS special programs revised June 1, 1995

**Extra Fax Discount  
for Domestic USA  
Dealers Only**

**Up to 5%  
extra savings!**

**UPS  
Special**  
For faxed orders only

**Now! Direct TOLL-FREE access  
to our Parts Department!**

Toll-free nationwide:

**800-421-1244**

Toll-free FAX:

**800/6-PARTS-7 • 800-672-7877**

# RULES FOR SAFE OPERATION

## CAUTION:



Failure to follow instructions in this manual may lead to serious injury or even death! This equipment is to be operated by trained and qualified personnel only! This equipment is for industrial use only.

The following safety guidelines should always be used when operating the DCA-150SSKII portable generator:

### GENERAL SAFETY

- **DO NOT** operate or service this equipment before reading this entire manual.



- This equipment should not be operated by persons under 18 years of age.

- **NEVER** operate this equipment without proper protective clothing, shatterproof glasses, steel-toed boots and other protective devices required by the job.



- **NEVER** operate this equipment when not feeling well due to fatigue, illness or taking medicine.



- **NEVER** operate this equipment under the influence of drugs or alcohol.



- **NEVER** use accessories or attachments, which are not recommended by MQ Power for this equipment. Damage to the equipment and/or injury to user may result.

- Manufacture does not assume responsibility for any accident due to equipment modifications.

- Whenever necessary, replace nameplate, operation and safety decals when they become difficult read.

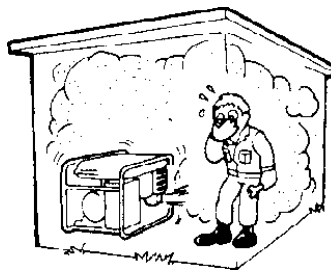
- Always check the machine for loosened threads or bolts before starting.

- **NEVER** touch the hot exhaust manifold, muffler or cylinder. Allow these parts to cool before servicing engine or generator.



- **High Temperatures** – Allow the engine to cool before adding fuel or performing service and maintenance functions. Contact with hot components can cause serious burns.

- The engine of this generator requires an adequate free flow of cooling air. Never operate the generator in any enclosed or narrow area where free flow of the air is restricted. If the air flow is restricted it will cause serious damage to the generator or engine and may cause injury to people. Remember the generator engine gives off **DEADLY** carbon monoxide gas.



## CAUTION:



Always refuel in a well-ventilated area, away from sparks and open flames.



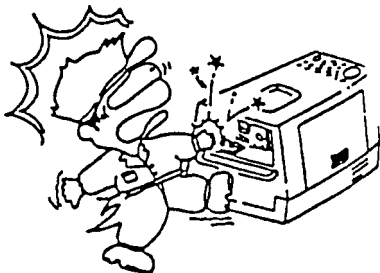
- Always use extreme caution when working with **flammable** liquids. When refueling, **stop the engine** and allow it to cool. **DO NOT** smoke around or near the machine. Fire or explosion could result from fuel vapors, or if fuel is spilled on a hot engine.

- **NEVER** operate the generator in an explosive atmosphere or near combustible materials. An explosion or fire could result causing severe *bodily harm or even death*.

- Topping-off to filler port is dangerous, as it tends to spill fuel.

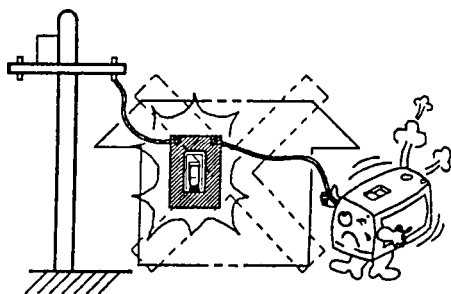
## RULES FOR SAFE OPERATION

### CAUTION:



■ **DO NOT** touch output terminals during operation. This is extremely dangerous when your hands are **wet**. Always stop the machine when contact with the output terminals is required.

### CAUTION:



■ **Backfeed to a utility system can cause electrocution and/or property damage. Do not connect to any building's electrical system except through an approved device or after building main switch is opened.**

### CAUTION:



■ **Never** use damaged or worn cables when connecting power tools or equipment to the generator. Make sure the power connecting cables are securely connected to the generator's output terminals. Insufficient tightening of the terminal connections may cause damage to the generator and electrical shock.

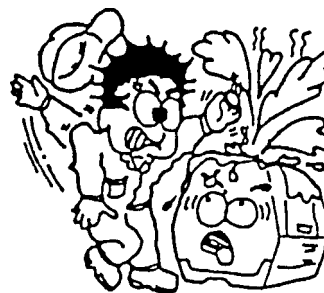
### CAUTION:



**DO NOT** touch or open any of the below mentioned components while the generator is running. Always allow sufficient time for the engine and generator to cool before performing maintenance.

#### Radiator

1. **Radiator Cap** - Removing the radiator cap while the engine is hot will result in boiling water to gush out of the radiator, therefore causing severe scalding to any persons in the general area of the generator.



2. **Coolant Drain Plug** - Removing the coolant drain plug while the engine is hot will result in hot coolant to gush out of the coolant drain plug, therefore causing severe scalding to any persons in the general area of the generator.
3. **Engine Oil Drain Plug** - Removing the engine oil drain plug while the engine is hot will result in hot oil to gush out of the oil drain plug, therefore causing severe scalding to any persons in the general area of the generator.

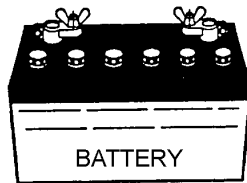
## Battery

### CAUTION:



Never over fill the battery with water above the upper limit.

The battery contains acids that can cause injury to the eyes and skin. To avoid eye irritation, always wear safety glasses. Use well insulated gloves when picking up the battery. Use the following guidelines when handling the battery:



1. **DO NOT** drop the battery. There is the possibility the battery may explode.
  2. **DO NOT** expose the battery to open flames, sparks, cigarettes etc. The battery contains combustible gases and liquids. If these gases and liquids come in contact with a flame or spark, an explosion could occur.
  3. Always keep the battery charged. If the battery is not charged, a buildup of combustible gas will occur.
  4. Always keep battery charging and booster cables in good working condition. Repair or replace all worn cables.
  5. Always recharge the battery in an open air environment, to avoid risk of a dangerous concentration of combustible gases.
  6. In case the battery liquid (dilute sulfuric acid) comes in contact with **clothing or skin**, rinse skin or clothing immediately with plenty of water.
  7. In case the battery liquid (dilute sulfuric acid) comes in contact with your **eyes**, rinse eyes immediately with plenty of water, then contact the nearest doctor or hospital, and seek medical attention.
- **NEVER** Run engine without an air filter. Severe engine damage may occur.
  - Always service air cleaner frequently to prevent carburetor malfunction.
  - Always disconnect the battery before performing service on the generator.
  - Always be sure the operator is familiar with proper safety precautions and operations techniques before using generator.
  - Always store equipment properly when not in use. Equipment should be stored in a clean, dry location out of the reach of children.
  - **DO NOT** leave the generator running in the manual mode unattended.
  - **DO NOT** allow unauthorized people to operate this equipment.
  - Always read, understand, and follow procedures in Operator's Manual before attempting to operate equipment.
  - Refer to the **Komatsu Engine Owner's Manual** for engine technical questions or information.

### Loading and Unloading (Crane)

- Before lifting, make sure the generator's lifting hook is secure and that there is no apparent damage to the generator itself (loose screws, nuts and bolts). If any part is loose or damaged, please take corrective action before lifting.
- Always drain fuel prior to lifting.
- Always make sure crane or lifting device has been properly secured to the hook of guard frame on generator.
- **NEVER** lift the machine while the engine is running.
- Use adequate lifting cable (wire or rope) of sufficient strength.
- When lifting the generator, always use the balanced center-point suspension hook and lift straight upwards.
- **NEVER** allow any person or animal to stand underneath the machine while lifting.
- When loading the generator on a truck, be sure to use the front and back frame bars as a means to secure the generator during transport.



## RULES FOR SAFE OPERATION

### Transporting

- Always shutdown engine before transporting.
- Tighten fuel tank cap securely.
- Drain fuel when transporting generator over long distances or bad roads.
- Always tie-down the generator during transportation by securing the generator.
- If generator is mounted on a trailer, make sure trailer complies with all local and state safety transportation laws. See page 10 for basic towing procedures.

### Emergencies

- Always know the location of the nearest ***fire extinguisher*** and ***first aid kit***. Know the location of the nearest telephone. Also know the phone numbers of the nearest ***ambulance***, ***doctor*** and ***fire department***.

### Maintenance Safety

- **NEVER** lubricate components or attempt service on a running generator.
- Always allow the engine proper amount of time to cool before servicing.
- Keep the generator in proper running condition.
- Fix damage to the generator immediately and always replace broken parts.
- Dispose of hazardous waste properly. Examples of potentially hazardous waste are used motor oil, coolant, fuel, and fuel filters.
- **DO NOT** use plastic containers to dispose of hazardous waste.
- **DO NOT** pour waste, oil, coolant or fuel directly onto the ground, down a drain or into any water source.

## Towing Safety Precautions

### CAUTION :



Check with your county or state safety towing regulations department before towing your generator.

To reduce the possibility of an accident while transporting the generator on public roads, always make sure that the trailer that supports the generator and the towing vehicle are in good operating condition and both units are mechanically sound.

The following list of suggestions should be used when towing your generator:

- Make sure the hitch and coupling of the towing vehicle are rated equal to, or greater than the trailer "gross vehicle weight rating" (GVWR).
- **ALWAYS** inspect the hitch and coupling for wear. **NEVER** tow a trailer with defective hitches, couplings, chains etc.
- Check the tire air pressure on both the towing vehicle and the trailer. Also check the tire tread wear on both vehicles.
- **ALWAYS** make sure the trailer is equipped with a "Safety Chain".

- **ALWAYS** attach trailer's safety chain to bumper of towing vehicle.
- **ALWAYS** make sure that the vehicle and trailer directional, backup, brake, and trailer lights are connected properly and are working properly.
- Remember the maximum speed unless otherwise posted for highway towing is **45 MPH**. Recommended off-road towing is not to exceed **10 MPH** or less depending on type of terrain.
- Place *chocked blocks* underneath wheel to prevent **rolling**, while parked.
- Place *support blocks* underneath the trailer's bumper to prevent **tipping**, while parked.
- Use the trailer's hand winch to adjust the height of the trailer, then insert locking pin to lock wheel stand in place, while parked.
- Avoid sudden stops and starts. This can cause skidding, or jackknifing. Smooth, gradual starts and stops will improve gas mileage.
- Avoid sharp turns to prevent rolling.
- Remove wheel stand when transporting.
- **DO NOT** transport generator with fuel in tank.

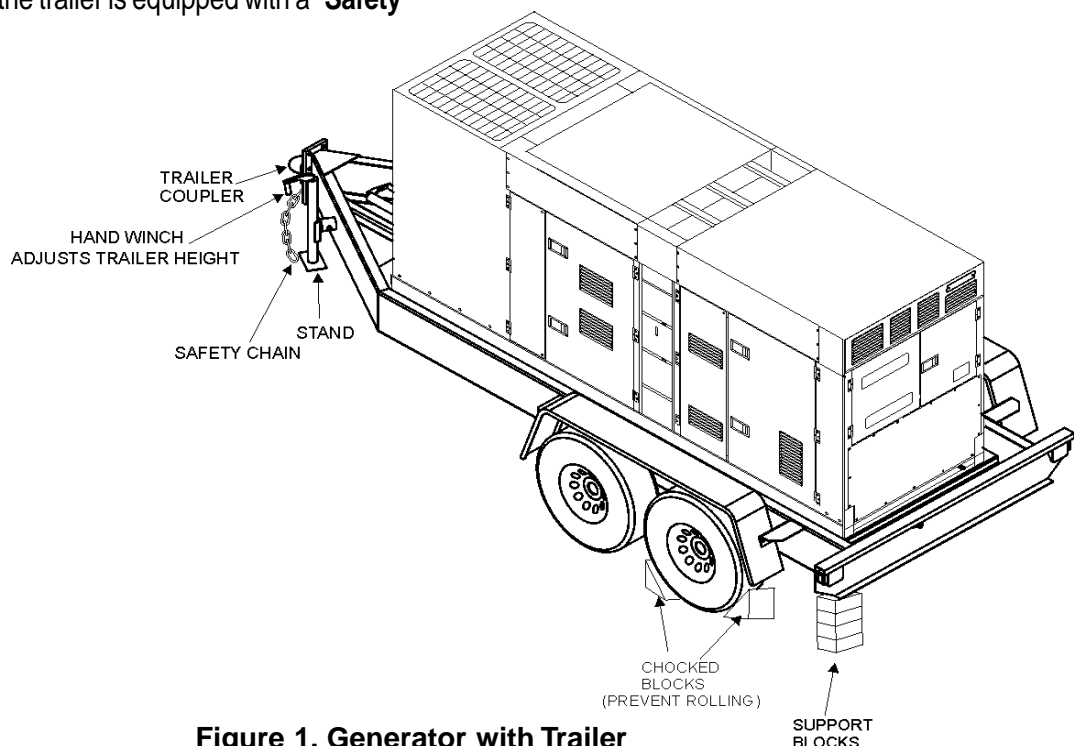


Figure 1. Generator with Trailer

## CAUTION:



**ALWAYS** make sure the trailer is in good operating condition. Check the tires for proper inflation and wear. Also check the wheel lug nuts for proper tightness.

### Explanation of Chart:

This section is intended to provide the user with trailer service and maintenance information. The service and maintenance guidelines referenced in this section apply a wide range of trailers. Remember periodic inspection of the trailer will ensure safe towing of the equipment and will prevent damage to the equipment and personal injury.

It is the purpose of this section to cover the major maintenance components of the trailer. The following trailer components will be discussed in this section:

- Brakes
- Tires
- Lug Nut Torquing
- Suspension
- Electrical
- Brake Troubleshooting Tables

Use the following definitions while reading Table 1.

1. **Fuel Cell** - Provides an adequate amount of fuel for the equipment in use. Fuel cells must be empty when transporting equipment.
2. **Braking System** - System employed in stopping the trailer. Typical braking systems are electric, surge, hydraulic, hydraulic-surge and air.
3. **GVWR**- Gross Vehicle Weight Rating (GVWR), is the maximum number of pounds the trailer can carry, including the fuel cell (empty).
4. **Frame Length** - This measurement is from the ball hitch to the rear bumper (reflector).
5. **Frame Width** - This measurement is from fender to fender.
6. **Jack Stand** - Trailer support device with maximum pound requirement from the tongue of the trailer.
7. **Coupler** - Type of hitch used on the trailer for towing.
8. **Tire Size** - Indicates the diameter of the tire in inches (10,12,14, etc.), and the width in millimeters (175,185,205, etc.). The tire diameter must match the diameter of the tire rim.
9. **Tire Ply** - The tire ply (layers) number is rated in letters; 2-ply,4-ply,6-ply, etc.
10. **Wheel Hub** - The wheel hub is connected to the trailer's axle.
11. **Tire Rim** - Tires are mounted on a tire rim. The tire rim must match the size of the tire.
12. **Lug Nuts** - Used to secure the wheel to the wheel hub. Always use a torque wrench to tighten down the lug nuts. See Table 4 and Figure 5 for lug nut tightening and sequence.
13. **Axle** - Indicates the maximum weight the axle can support in pounds, and the diameter of the axle expressed in inches (see Table 3 on page 17). Please note that some trailers have a double axle. This will be shown as 2-6000 lbs., meaning two axles with a total weight capacity of 6000 pounds.
14. **Suspension** - Protects the trailer chassis from shock transmitted through the wheels. Types of suspension used are leaf, Q-flex, and air ride.
15. **Electrical** - Electrical connectors (looms) are provided with the trailer so the brake lights and turn signals can be connected to the towing vehicle. See page 16 for proper wiring connections.
16. **Application** - Indicates which units can be employed on a particular trailer.

# DCA-150SSKII —TRAILER-SPECIFICATIONS

**Table 1. Specifications**

| MODEL       | APPLICATION            | FUEL CELL | BRAKE SYSTEM    | GVWR     | FRAME LENGTH            | FRAME WIDTH       | JACK STAND                |
|-------------|------------------------|-----------|-----------------|----------|-------------------------|-------------------|---------------------------|
| TRLR-10-15  | TLG-12, DCA15, TLW-300 | NO        | NO              | 1900LBS  | 96"                     | 50"               | 800LB.<br>FULL TILT WHEEL |
| TRLR-10X    | TLG-12, DCA15, TLW-300 | NO        | NO              | 1900LBS  | 96"                     | 50"               | 800LB.<br>FULL TILT WHEEL |
| TRLR-10XF   | TLG-12, DCA15, TLW-300 | 51 GAL    | NO              | 1900LBS  | 96"                     | 50"               | 800LB.<br>FULL TILT WHEEL |
| TRLR-225W   | DCA-10                 | NO        | NO              | 2200LBS  | 85"                     | 42"               | 800LB.<br>FULL TILT WHEEL |
| BLW-400     | BLW-400                | NO        | ELECTRIC        | 2700LBS  | W/MAST 154"<br>W/O 124" | 55"<br>(78" TALL) | 800LB.<br>FULL TILT WHEEL |
| TRLR-15XF   | DCA-15                 | 41 GAL    | NO              | 2700LBS  | 124"                    | 55"               | 800LB.<br>FULL TILT WHEEL |
| TRLR-50X    | DCA-25                 | NO        | NO              | 2700LBS  | 124"                    | 55"               | 800LB.<br>FULL TILT WHEEL |
| TRLR-50XF   | DCA-25                 | 41 GAL    | NO              | 2700LBS  | 124"                    | 55"               | 800LB.<br>FULL TILT WHEEL |
| TRLR-25SBT  | DCA-25                 | NO        | NO              | 2990LBS  | 120"                    | 66"               | 800LB.<br>FULL TILT WHEEL |
| TRLR-70W    | DCA-45, -60, 70        | NO        | SURGE           | 7000LBS  | 186"                    | 77"               | 2000LB.<br>FLAT PAD       |
| TRLR-70X    | DCA-45, -60, 70        | OPT       | SURGE           | 7000LBS  | 138"                    | 66"               | 2000LB.<br>FLAT PAD       |
| TRLR-70XF   | DCA-45, -60, 70        | 53 GAL    | SURGE           | 7000LBS  | 138"                    | 66"               | 2000LB.<br>FLAT PAD       |
| TRLR-100XF  | DCA-100, 125           | 150 GAL   | HYDRAULIC SURGE | 7000LBS  | 190"                    | 76"               | 2000LB.<br>FLAT PAD       |
| TRLR-85/125 | DCA-85, 100, 125       | 145 GAL   | HYDRAULIC       | 10000LBS | 186"                    | 77"               | 2000LB.<br>FLAT PAD       |
| TRLR-150XF  | DCA-150, 180           | 200 GAL   | HYDRAULIC SURGE | 11160LBS | 204"                    | 84"               | 5000 LB.<br>FLAT PAD      |
| TRLR-220XF  | DCA-220                | 250 GAL   | HYDRAULIC SURGE | 14000LBS | 222"                    | 83"               | 5000 LB.<br>FLAT PAD      |
| TRLR-300XF  | DCA-300                | 250 GAL   | HYDRAULIC SURGE | 18000LBS | 238"                    | 83"               | 5000 LB.<br>FLAT PAD      |
| TRLR-400XF  | DCA-400                | 350 GAL   | ELECTRIC        | 18000LBS | 238"                    | 83"               | 5000 LB.<br>FLAT PAD      |
| TRLR-600XF  | DCA-600, 800           | 550 GAL   | AIR             | 30000LBS | 384"                    | 96"               | 5000 LB.<br>FLAT PAD      |
| TRLR-800SX  | DCA-600, 800           | 550 GAL   | AIR             | 30000LBS | 384"                    | 96"               | 5000 LB.<br>FLAT PAD      |

# DCA-150SSKII —TRAILER-SPECIFICATIONS

**Table 1. Specifications (Con't)**

| MODEL       | COUPLER                        | TIRES                        | WHEELS    | AXLE               | HUBS  | SUSPENSION | ELECTRICAL                    |
|-------------|--------------------------------|------------------------------|-----------|--------------------|-------|------------|-------------------------------|
| TRLR-10-15W | 2" BALL CLASS<br>2 ADJUSTABLE  | 175-13C                      | 13"X4.50" | 2200# 2X2          | 5 LUG | 3 LEAF     | 4 WIRE LOOM W/<br>4 POLE FLAT |
| TRLR-10X    | 2"BALL CLASS<br>2 ADJUSTABLE   | 175-13C                      | 13"X4.5"  | 2200#2X2           | 5 LUG | 3 LEAF     | 4 POLE FLAT                   |
| TRLR-10XF   | 2"BALL CLASS<br>2 ADJUSTABLE   | 175-13C                      | 13"X4.5"  | 2200#2X2           | 5 LUG | 3 LEAF     | 4 POLE FLAT                   |
| TRLR-225W   | 2"BALL CLASS<br>2 ADJUSTABLE   | 175-13B                      | 13X4.5"   | 2200#2X2           | 5 LUG | Q FLEX     | 4 POLE FLAT                   |
| BLW 400     | 2"BALL CLASS<br>2 ADJUSTABLE   | 175-13C                      | 13 X 4.5" | 2200#2X2           | 5 LUG | 3 LEAF     | 4 POLE FLAT                   |
| TRLR-15XF   | 2" BALL CLASS                  | B78-13LRC                    | 13"X4.50" | 3500# 2-1/2"       | 5 LUG | 4 LEAF     | 4 POLE RUBBER<br>FLAT         |
| TRLR-50X    | 2" BALL CLASS                  | B78-13LRC                    | 13"X4.50" | 3500lbs.<br>2-3/8" | 5 LUG | 4 LEAF     | 4 POLE RUBBER<br>FLAT         |
| TRLR-50XF   | 2" BALL CLASS                  | B78-13LRC                    | 13"X4.50" | 3500lbs.<br>2-3/8" | 5 LUG | 4 LEAF     | 4 POLE RUBBER<br>FLAT         |
| TRLR-70W    | 2" BALL CLASS<br>3" ADJUSTABLE | 205-14C<br>BIAS (4)          | 14"X5"    | 3500lbs.<br>3"     | 5 LUG | 5 LEAF     | 4 POLE RUBBER<br>FLAT         |
| TRLR-70X    | 2" BALL CLASS<br>3" ADJUSTABLE | 205-14C<br>BIAS (4)          | 14"X5"    | 3500lbs<br>3"      | 5 LUG | 5 LEAF     | 4 POLE RUBBER<br>FLAT         |
| TRLR-70XF   | 2" BALL CLASS<br>3" ADJUSTABLE | 205-14C<br>BIAS (4)          | 14"X5"    | 3500lbs.<br>3"     | 5 LUG | 5 LEAF     | 4 POLE RUBBER<br>FLAT         |
| TRLR-100XF  | ADJUSTABLE 2-5/6<br>OPT 3" EYE | 205-15C<br>BIAS (4)          | 14"X5.5"  | 3500lbs<br>3"      | 5 LUG | 5 LEAF     | 4 WIRE LOOM                   |
| TRLR-85/125 | ADJUSTABLE 2-5/6<br>OPT 3" EYE | ST225/75R15D<br>RADIAL (4)   | 14"x6"    | (2)-6000lbs        | 6 LUG | 7 LEAF     | 4 WIRE LOOM                   |
| TRLR-150XF  | 3" BALL EYE                    | 750-16 E<br>BIAS (4)         | 16"X7"    | (2)-6000lbs        | 8 LUG | 7 LEAF     | 4 WIRE LOOM                   |
| TRLR-220XF  | 3" EYE<br>ADJUSTABLE           | ST235/85R16E<br>RADIAL(4)    | 16"X7"    | (2)-7000lbs        | 8 LUG | Q FLEX     | 4 WIRE LOOM                   |
| TRLR-300XF  | 3" EYE<br>ADJUSTABLE           | ST235/85R16E<br>RADIAL(6)    | 16"X7"    | (2)-6000lbs        | 8 LUG | Q FLEX     | 4 WIRE LOOM                   |
| TRLR-400XF  | 3" EYE<br>ADJUSTABLE           | ST235/85R16E<br>RADIAL(6)    | 16"X7"    | (3)-7000lbs.       | 8 LUG | Q FLEX     | 4 WIRE LOOM                   |
| TRLR-600XF  | 5TH WHEEL                      | ST215/75R17.5H<br>RADIAL (8) | 16"X7"    | (3)-10000lbs       | 8 LUG | 7 LEAF     | 6 WIRE LOOM                   |
| TRLR-800AR  | 5TH WHEEL                      | ST215/75R17.5H<br>RADIAL (8) | 16"X7"    | (3)-10000lbs       | 8 LUG | AIR-RIDE   | 6 WIRE LOOM                   |

## Brakes

If your trailer has a braking system, the brakes should be inspected the first 200 miles of operation. This will allow the brake shoes and drums to seat properly. After the first 200 mile interval, inspect the brakes every 3,000 miles. If driving over rough terrain, inspect the brakes more frequently.

## Electric Brakes

Electrically actuated brakes (Figure 2) are similar to hydraulic brakes. The basic difference is that hydraulic brakes are actuated by an electromagnet.

Listed below are some of the advantages that electric brakes have over hydraulic brakes:

- An electric brake system can be manually adjusted to provide the corrected braking capability for varying road and load conditions.
- An electric brake system can be modulated to provide more or less braking force, thus easing the brake load on the towing vehicle.
- An electric brake system has very little lag time between the time the vehicle's brakes are actuated and the trailer's brakes are actuated.
- An electric brake system can provide an independent emergency brake system.

Road testing is necessary in order to properly synchronize the towing vehicle's braking to the trailer's braking. Brake lockup, grabbiness, or harshness is due to lack of

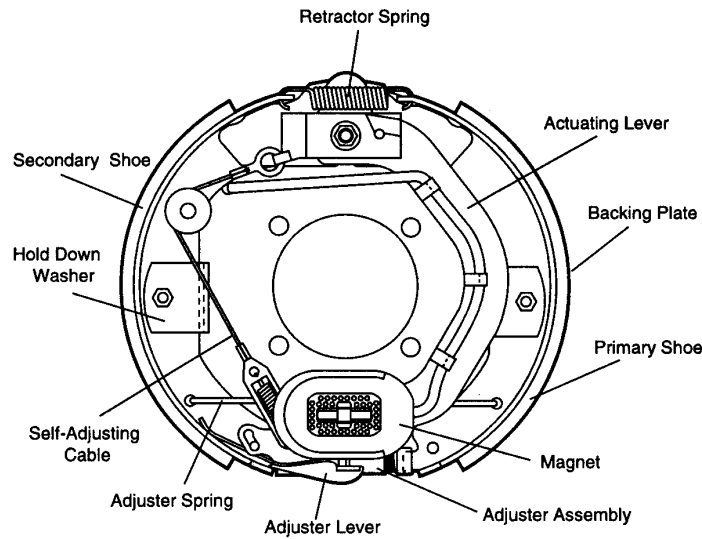
synchronization between the tow vehicle and the trailer being towed or under-adjusted brakes.

Before any brake synchronizations adjustments can be made, the trailer brakes should be burnished-in by applying the brakes 20-30 times with approximately a 20 m.p.h. decrease in speed, e.g. 40 m.p.h. to 20 m.p.h.. Allow ample time for brakes to cool between application. This allows the brake shoes to slightly be seated into the brake drum surface.

Figure 2 displays the major electric brake components that will require inspection and maintenance. Please inspect these components as required. Refer to Table 5 for electric brake troubleshooting guidelines.

## Electric Brake Adjustment

1. Place the trailer on jack stands. Make sure the jack stands are placed on secure level ground.
2. Check the wheel and drum for free rotation.
3. Remove the adjusting hole cover from the adjusting slot at the bottom brake backing plate.
4. With a screwdriver or standard adjusting tool, rotate the star wheel of the adjuster assembly to expand the brake shoes.
5. Adjust the brake shoes outward until the pressure of the lining against the wheel drum makes the wheel difficult to turn.
6. Rotate the star wheel in the opposite direction until the wheel rotates freely with slight lining drag.
7. Replace the adjusting hole cover and lower the trailer to the ground.
8. Repeat steps 1 through 6 on the remaining brakes.

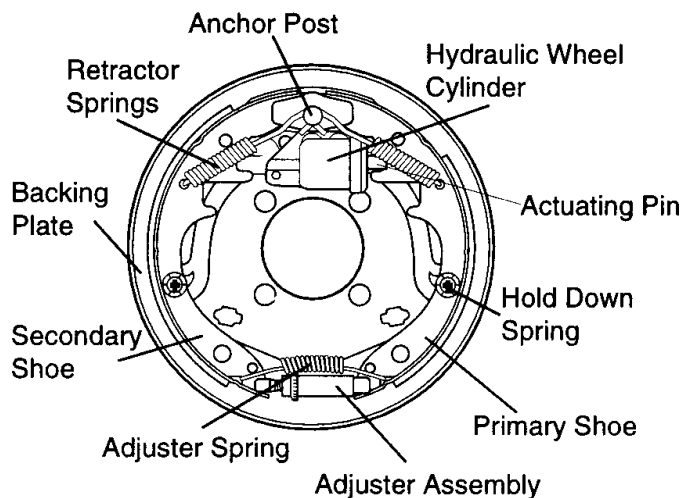


**Figure 2. Electrical Brake Components**

### Hydraulic/Air/Surge Brakes

Hydraulic brakes (Figure 3) should not require any special attention with the exception of routine maintenance such as shoe and lining replacement. These brakes can be adjusted in the same manner as electric brakes. Brake lines should be periodically checked for cracks, kinks, or blockage.

Figure 3 below displays the major hydraulic/air/surge brake components that will require inspection and maintenance. Inspect these components as required using steps 1 through 6 as referenced in the electric brake adjustments section. Refer to Table 6 for hydraulic brake troubleshooting guidelines.



**Figure 3. Hydraulic Brake Components**

## Tires/Wheels/Lug Nuts

Tires and wheels are a very important and critical components of the trailer. When specifying or replacing the trailer wheels it is important the wheels, tires, and axle are properly matched.

## CAUTION:



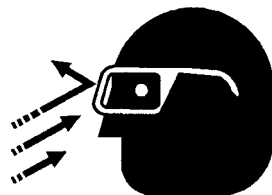
DO NOT attempt to repair or modify a wheel. DO NOT install an inner tube to correct a leak through the rim. If the rim is cracked, the air pressure in the inner tube may cause pieces of the rim

to explode (break off) with great force and cause serious eye or bodily injury.

## Tire Wear/Inflation

Tire inflation pressure is the most important factor in preserving tire life. Pressure should be checked cold before operation. **DO NOT** bleed air from tires when they are hot. Check inflation pressure weekly to insure the maximum tire life and to prevent premature tread wear. Table 2 (Tire Wear Troubleshooting) will help pinpoint the causes and solutions of tire wear problems.

## CAUTION:



### NOTE

ALWAYS wear safety glasses when removing or installing force fitted parts. Failure to comply may result in serious injury.

TABLE 2. TIRE WEAR TROUBLESHOOTING

| WEAR PATTERN |             | CAUSE                           | SOLUTION                                                  |
|--------------|-------------|---------------------------------|-----------------------------------------------------------|
|              | Center Wear | Over Inflation.                 | Adjust pressure to particular load per tire manufacturer. |
|              | Edge Wear   | Under Inflation.                | Adjust pressure to particular load per tire manufacturer. |
|              | Side Wear   | Loss of chamber or overloading. | Make sure load does not exceed axle rating. Align wheels. |
|              | Toe Wear    | Incorrect toe-in.               | Align wheels.                                             |
|              | Cupping     | Out-of-balance.                 | Check bearing adjustment and balance tires.               |
|              | Flat Spots  | Wheel lockup & tire skidding.   | Avoid sudden stops when possible and adjust brakes.       |

## Suspension

The leaf suspension springs and associated components (Figure 4) should be visually inspected every 6,000 miles for signs of excessive wear, elongation of bolt holes, and loosening of fasteners. Replace all damaged parts (suspension) immediately. Torqued suspension components as detailed in Table 3.

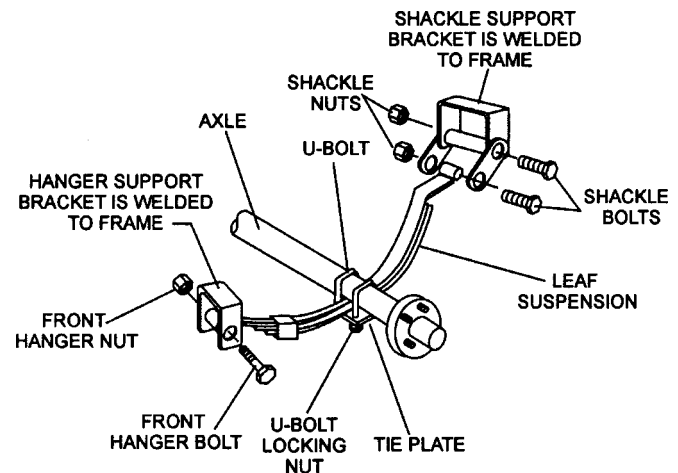


Figure 4. Suspension Components



# DCA-150SSKII — TRAILER TIRES & SUSPENSION

**Table 3. Suspension Torque Requirements**

| Item                            | Torque (Ft.-Lbs.)                                                                                                    |
|---------------------------------|----------------------------------------------------------------------------------------------------------------------|
| 3/8" U-BOLT                     | MIN-30 MAX-35                                                                                                        |
| 7/16" U-BOLT                    | MIN-45 MAX-60                                                                                                        |
| 1/2" U-BOLT                     | MIN-45 MAX-60                                                                                                        |
| SHACKLE BOLT<br>SPRING EYE BOLT | SNUG FIT ONLY. PARTS MUST ROTATE FREELY.<br>LOCKING NUTS OR COTTER PINS ARE PROVIDED TO<br>RETAIN NUT-BOLT ASSEMBLY. |
| SHOULDER TYPE<br>SHACKLE BOLT   | MIN-30 MAX-50                                                                                                        |

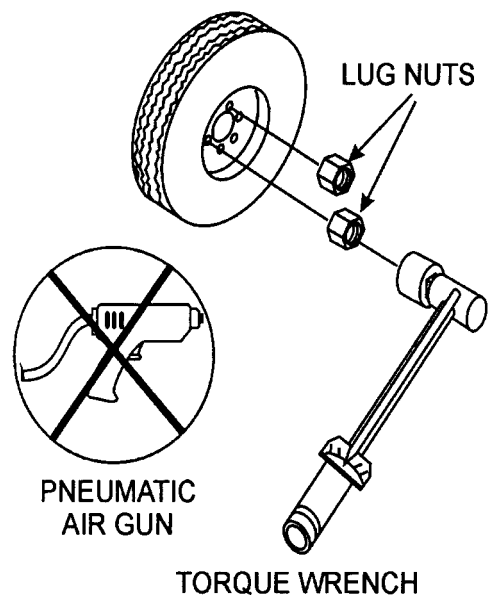
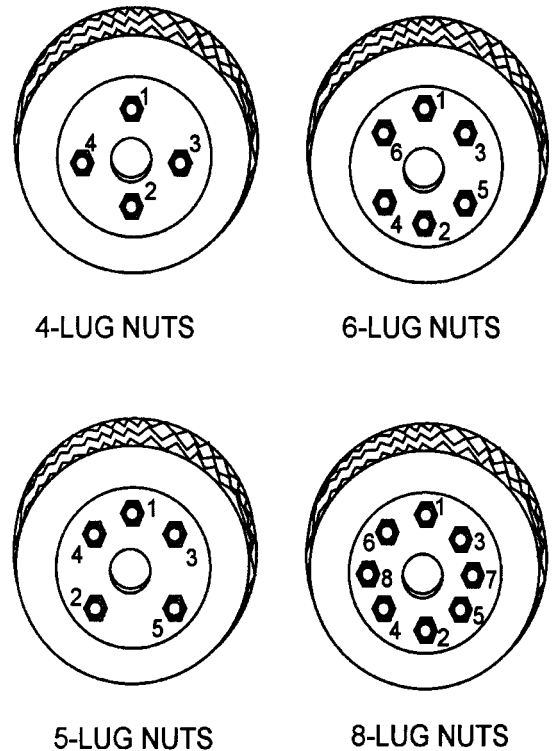
## Lug Nut Torque Requirements

It is extremely important to apply and maintain proper wheel mounting torque on the trailer. Be sure to use only the fasteners matched to the cone angle of the wheel. Proper procedure for attachment of the wheels is as follows:

1. Start all wheel lug nuts by hand.
2. Torque all lug nuts in sequence. See Figure 5. **DO NOT** torque the wheel lug nuts all the way down. Tighten each lug nut in 3 separate passes as defined by Table 4.
3. After first road use, retorque all lug nuts in sequence. Check all wheel lug nuts periodically for continued safe operation.

**Table 4. Tire Torque Requirements**

| Wheel Size | First Pass<br>FTLBS | Second Pass<br>FTLBS | Third Pass<br>FTLBS |
|------------|---------------------|----------------------|---------------------|
| 12"        | 20-25               | 35-40                | 50-65               |
| 13"        | 20-25               | 35-40                | 50-65               |
| 14"        | 20-25               | 50-60                | 90-120              |
| 15"        | 20-25               | 50-60                | 90-120              |
| 16"        | 20-25               | 50-60                | 90-120              |



**Figure 5. Lug Nut Tightening Sequence**

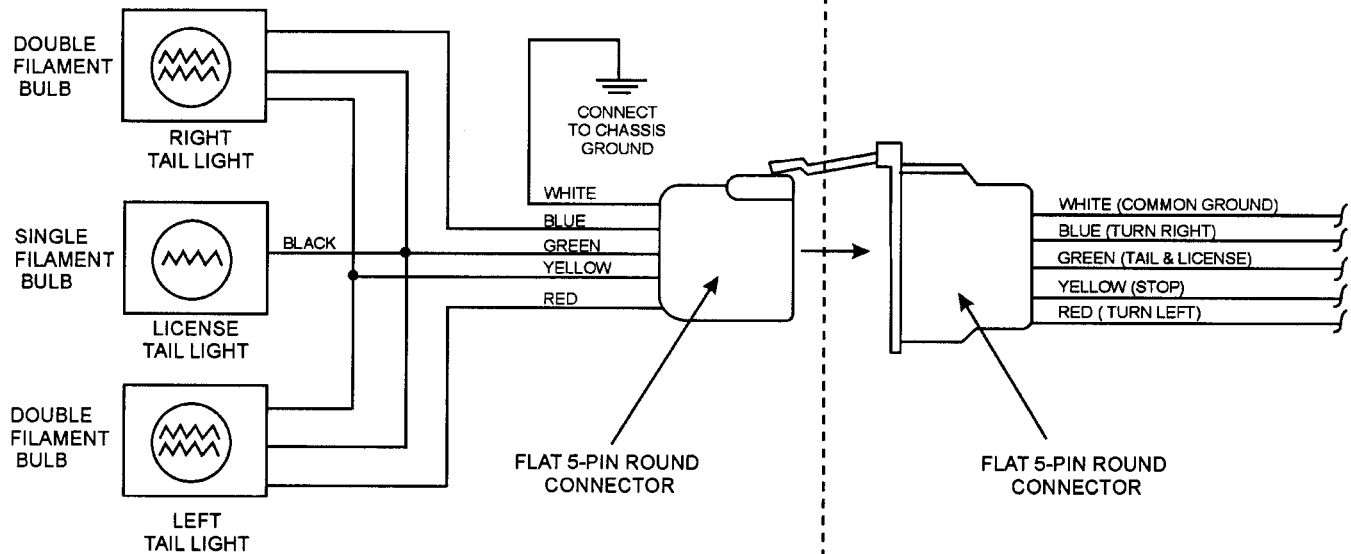
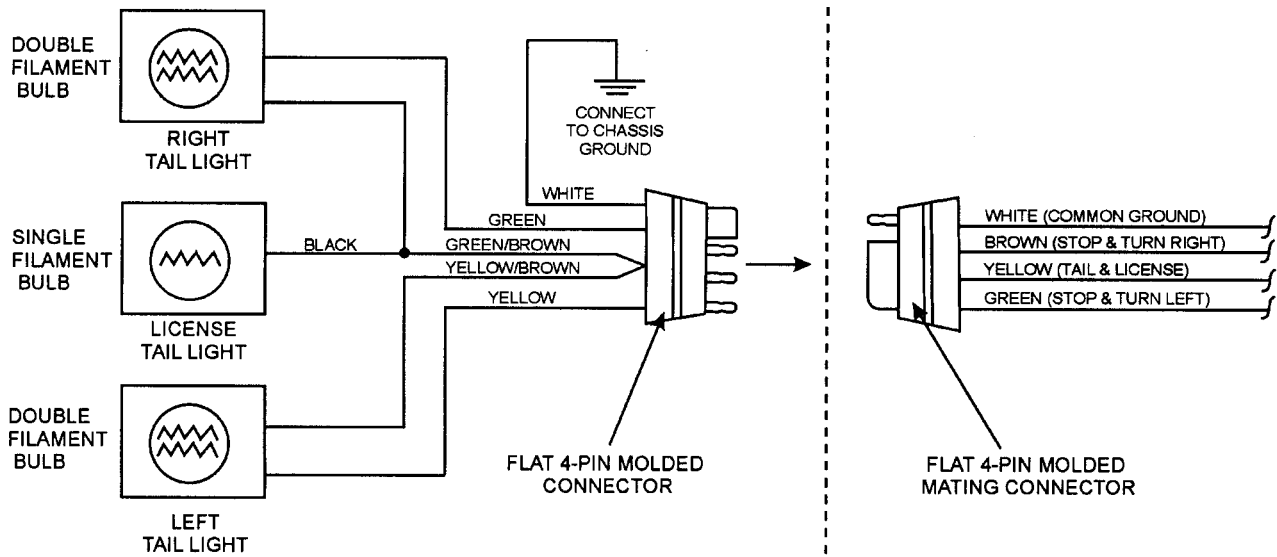
**NOTE**

NEVER use an pneumatic air gun to tighten wheel lug nuts.

# DCA-150SSKII — TRAILER WIRING DIAGRAMS

## TRAILER SIDE

## TOWING VEHICLE SIDE



**NOTE:**  
LIGHTS ARE ORIENTED FROM THE DRIVER'S SEAT

**Table 5. Electric Brake Troubleshooting**

| Symptom                                | Possible Cause                          | Solution                              |
|----------------------------------------|-----------------------------------------|---------------------------------------|
| No Brakes or Intermittent Brakes       | Any open circuits or broken wires?      | Find and correct.                     |
|                                        | Any short circuits?                     | Find and correct.                     |
|                                        | Faulty controller?                      | Test and correct.                     |
|                                        | Any loose connections?                  | Find and repair.                      |
|                                        | Ground wire secure?                     | Find and secure.                      |
| Weak Brakes or Brakes Pull to One Side | Grease or oil on magnets or linings?    | Clean or replace.                     |
|                                        | Connections corroded?                   | Clean and correct cause of corrosion. |
|                                        | Brake drums scored or grooved?          | Machine or replace.                   |
|                                        | Brakes synchronized?                    | Correct.                              |
| Locking Brakes                         | Brake components loose, bent or broken? | Replace components.                   |
|                                        | Brake drums out-of-round?               | Replace.                              |
| Noisy Brakes                           | System lubricated?                      | Lubricate.                            |
|                                        | Brake components correct?               | Replace and correct.                  |
| Dragging Brakes                        | Bearings of the wheel adjusted?         | Adjust.                               |

**Table 6. Hydraulic Brake Troubleshooting**

| Symptom                                | Possible Cause                                             | Solution                                   |
|----------------------------------------|------------------------------------------------------------|--------------------------------------------|
| No Brakes                              | Brake line broken or kinked?                               | Repair or replace.                         |
| Weak Brakes or Brakes Pull to One Side | Brake lining glazed?                                       | Reburnish or replace.                      |
|                                        | Trailer overloaded?                                        | Correct weight.                            |
|                                        | Brake drums scored or grooved?                             | Machine or replace.                        |
|                                        | Tire pressure correct?                                     | Inflate all tires equally.                 |
|                                        | Tires unmatched on the same axle?                          | Match tires.                               |
| Locking Brakes                         | Brake components loose, bent or broken?                    | Replace components.                        |
|                                        | Brake drums out-of-round?                                  | Replace.                                   |
| Noisy Brakes                           | System lubricated?                                         | Lubricate.                                 |
|                                        | Brake components correct?                                  | Replace and correct.                       |
| Dragging Brakes                        | Brake lining thickness correct or in right wrong position? | Install new shoes and linings.             |
|                                        | Enough brake fluid or correct fluid?                       | Replace rubber parts fill with dot4 fluid. |

# DCA-150SSKII — OPERATION AND SAFETY DECALS

## Machine Safety Decals

The DCA-150SSKII generator is equipped with a number of safety decals. These decals are provided for operator safety and maintenance information. The illustration below and on the preceding page shows these decals as they appear on the machine. Should any of these decals become unreadable, replacements can be obtained from your dealer.

**OPERATING PROCEDURES**

**Manual Starting**

1. Check the engine oil, coolant, and fuel levels. Replenish if necessary.
2. Place all Generator Circuit Breakers in the "OFF" position and close all doors.
3. Check that the Voltage select switch (or the Voltage change-over board) is present at desired voltage.
4. In case of generator having multiple voltage ratings, set the Engine speed switch to the "LOW" position.
5. Turn the Auto-Off/Reset-Manual switch to the "Manual" position to start the engine. If the engine fails to start in the specified number of attempts, the overcrank lamp will indicate and the Auto-Off/Reset-Manual switch must be returned to the "Off/Reset" position before proceeding.
6. When the engine is ready for starting during cold weather operating conditions, push the intake heater button for approximately 30 seconds. Start engine using the Auto-Off/Reset-Manual switch to the "Manual" position. As soon as the engine starts, release the button.
7. If the engine still does not start, utilize the water heater until water is warm. (If additional water heater is supplied).
8. After starting, allow the engine to run for 2 to 3 minutes to warm-up. At temperatures below freezing, this time period must be extended to 2 to 4 minutes.
9. When the engine starts, immediately check for abnormal noise, vibration, fluid leakage or any indication of a problem. Check the control panel gauges. If all is normal, let the engine remain at the "Low" position for a short time, depending on the ambient conditions, warm up.
10. After sufficient warm-up time has elapsed, set the Engine speed switch to the "High" position and the unit is ready for operation.
11. Check the NO-Load speed as shown in the table below. (50Hz operation—Approx 50.0Hz (1500rpm)
12. Adjust the Voltage Regulator to the specified voltage.

**Manual Stopping**

1. Place the Generator Circuit Breakers in the "OFF" position.
2. Set the Engine speed switch to the "LOW" position, and allow the unit to cool for a few minutes.
3. Turn the Auto-Off/Reset-Manual switch to the "Off/Reset" position.

**Auto Starting/Stopping**

1. With the Auto/Manual switch in the Auto position, the Auto Starting/Stopping controller monitors remote start contacts. Closure of the remote start contacts will begin engine cranking. When the contacts are opened or cranking will stop or if turning the engine will stop. All functions for the Automatic shutdown System work as in Manual Starting/stopping.
2. For cold weather conditions utilize the water heater until water is warm. If the engine still does not start, please operate as in Manual Starting.

**Emergency Stopping**

1. Place the Generator Circuit Breakers in the "OFF" position.
2. Turn the Auto-Off/Reset-Manual switch to the "Off/Reset" position.

M35200010

P/N M3552000103

**SAFETY INSTRUCTIONS**

Improper operation of this machine can cause severe injury or death.

- Read the instruction manual carefully before operating or servicing.

This machine should only be operated by a person with sufficient knowledge and skill to ensure safe operation.

High voltage circuits are coated inside the output terminal cover and control panel.

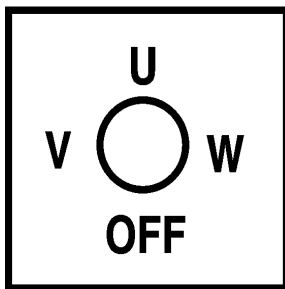
- Close the cover and control panel before operating.

Moving parts and hot surfaces are contained within the enclosure.

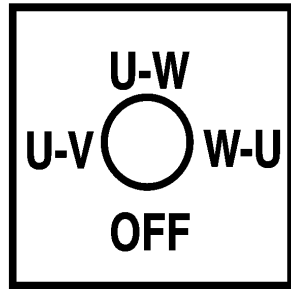
- Close all doors and lock them before operating.

M92010030

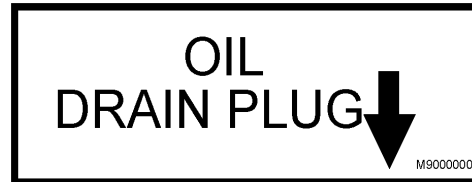
P/N M9520100304



P/N M9520000104



P/N M9520000204



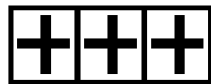
P/N M950000004



P/N M9510200002



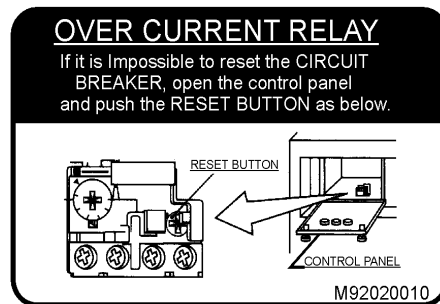
P/N M9500500004



P/N M9500300104



P/N M9500300004



P/N M9520200104

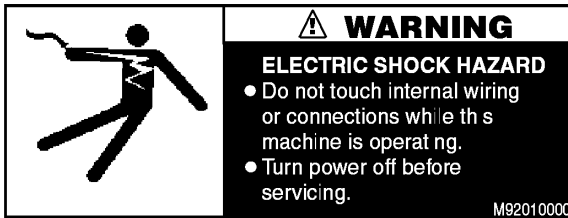


P/N M9500500104



P/N M9503000103

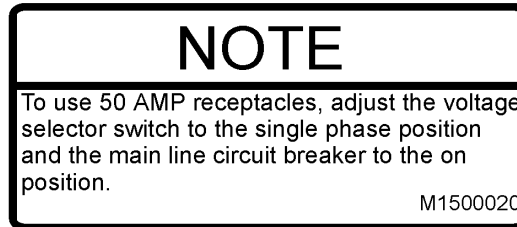
# DCA-150SSKII — OPERATION AND SAFETY DECALS



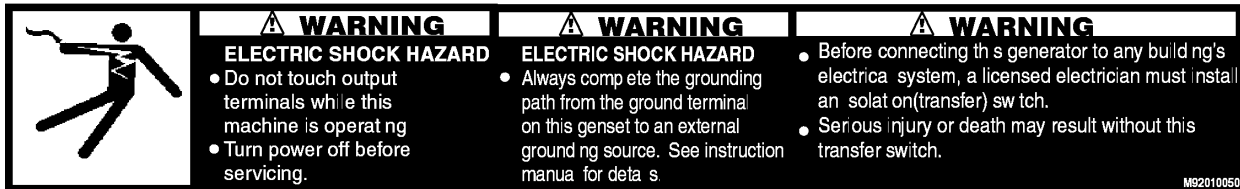
P/N M9520100004



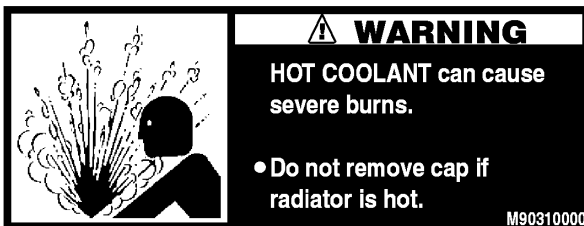
P/N M9520100401



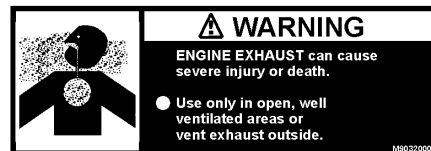
P/N M1550000204



P/N M9520100503



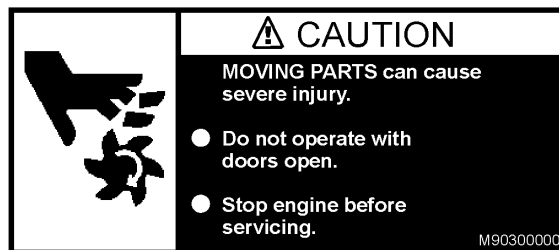
P/N M9503100004



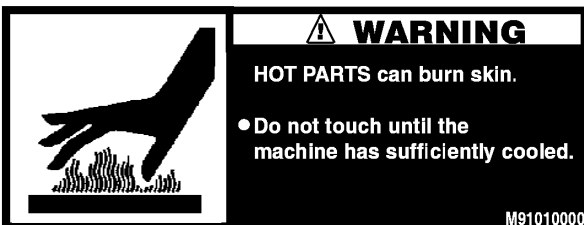
P/N M9503200004



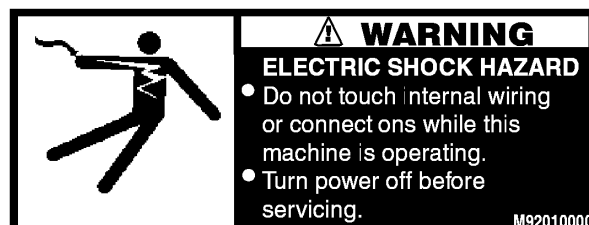
P/N M9520100204



P/N M9503000004



P/N M9510100004



P/N M9520100004

# DCA-150SSKII — SPECIFICATIONS

| Table 7. Specifications  |                                                                             |                                        |
|--------------------------|-----------------------------------------------------------------------------|----------------------------------------|
| Generator Specifications |                                                                             |                                        |
| Model                    | DCA-150SSKII                                                                |                                        |
| Type                     | Revolving field, self ventilated, open protected type synchronous generator |                                        |
| Armature Connection      | <b>Star with Neutral</b>                                                    | <b>Zig Zag</b>                         |
| Phase                    | 3                                                                           | Single                                 |
| Standby Output           | 165 KVA (132 KW)                                                            | 96KW                                   |
| Prime Output             | 150 KVA (120 KW)                                                            | 87KW                                   |
| Voltage                  | 240V or 480V                                                                | 240V                                   |
| Frequency                | 60 Hz                                                                       |                                        |
| Speed                    | 1800 rpm                                                                    |                                        |
| Power Factor             | 0.8                                                                         | 1                                      |
| Aux. AC Power            | Single Phase, 60 Hz                                                         |                                        |
| Voltage                  | 120 V                                                                       |                                        |
| Output                   | 4.8 KW (2.4 KW x 2)                                                         |                                        |
| Engine Specifications    |                                                                             |                                        |
| Model                    | KOMATSU S6D108E-2                                                           |                                        |
| Type                     | 4-cycle, water-cooled, direct injection, turbo-charged                      |                                        |
| No. of Cylinders         | 6 cylinders                                                                 |                                        |
| Bore x Stroke            | 4.25 in. x 5.11 in. (108 mm x 130 mm)                                       |                                        |
| Rated Output             | 180HP/1800 rpm                                                              |                                        |
| Displacement             | 436 cu. in. (7150 cc)                                                       |                                        |
| Starting                 | Electric                                                                    |                                        |
| Coolant Capacity         | 7.4 gal. (28 liters)                                                        |                                        |
| Lube Oil Capacity        | 6.6 gal. (25 liters)                                                        |                                        |
| Fuel Consumption         | 9.2 gal. (34.8L)/hr at <b>full load</b>                                     | 6.9 gal. (26.1L)/hr at <b>3/4 load</b> |
|                          | 4.8 gal. (18.2L)/hr at <b>1/2 load</b>                                      | 3.2 gal. (12.1L)/hr at <b>1/4 load</b> |
| Battery                  | 12V- 120AHx2                                                                |                                        |
| Fuel                     | #2 Diesel Fuel                                                              |                                        |

## DCA-150SSKII FAMILIARIZATION

### Generator

The MQ Power Model DCA-150SSKII is a 120 kW *generator* that is designed as a high quality portable (requires a trailer for transport) power source for telecom sites, lighting facilities, power tools, submersible pumps and other industrial and construction machinery.

### Engine Control Panel

The "Engine Control Panel" is provided with the following:

- Tachometer
- Water Temperature Gauge
- Oil Pressure Gauge
- Charging Ammeter Gauge
- Engine Warning Lamp Module
- Engine Throttle Lever
- Pre-Heat Button
- Pre-Heat Lamp

### Generator Control Panel

The "Generator Control Panel" is provided with the following:

- Output Voltage Adjustment Knob
- Frequency Meter (Hz)
- AC Ammeter (Amps)
- AC Voltmeter (Volts)
- Ammeter Change-Over Switch
- Voltmeter Change-Over Switch
- Panel Light
- Panel Light Switch
- MPEC Module

### Output Terminal Panel

The "Output Terminal Panel" is provided with the following:

- Three 240/139V output receptacles, 50 amp
- Two 120V input receptacles, 20 amp
- 3 Load Circuit Breakers 265V @65 amps
- 2 Load GFCI Circuit Breakers 265V @ 20amps

### Control Box

The "Control Box" is provided with the following:

- Main Circuit Breaker 400 amps
- Over-Current Relay

### Microprocessor Controlled Alarm System

The DCA-150SSKII generator is equipped with various alarms and LED status indicators. These alarms and status indicators are provided to add safety to the generator when operating under normal conditions. The DCA-150SSKII generator is designed to shutdown in the event of low oil, high coolant temperature, low battery and other operation conditions that may cause severe damage to the generator.

### Open Delta Excitation System

The DCA-150SSKII generator is equipped with the state of the art "*Open-Delta*" excitation system. The open delta system consist of an electrically independent winding wound among stationary windings of the AC output section.

There are four leads: A, B, C and D. During light loads, the power to the *Automatic Voltage Regulator* (AVR) is supplied from the leads parallel connections of B&C. When loads increase, the AVR switches and accepts power from leads A&D. The output of leads A&D increase proportionally with load. This of adding the voltages to each phase provides better voltage response during heavy loads.

The connections of the AVR to the AC output windings are for sensing only. No power is required from these windings.

The open-delta design provides virtually unlimited excitation current, offering maximum motor starting capabilities. The excitation does not have a "*fixed ceiling*" and responds according the demands of the required load.

### Engine

The **DCA-150SSKII** is powered by a 4-cycle water cooled, turbocharged KOMATSU Model S6D108E-2 *diesel* engine. This engine is designed to meet every performance requirement for the generator. Reference Table 1, page 13 for engine specifications.

In keeping with MQ Power's policy of constantly improving its products, the specifications quoted herein are subject to change without prior notice.

The basic controls and indicators for the DCA-150SSKII generator are addressed on the following pages.





# DCA-150SSKII — MAJOR COMPONENTS

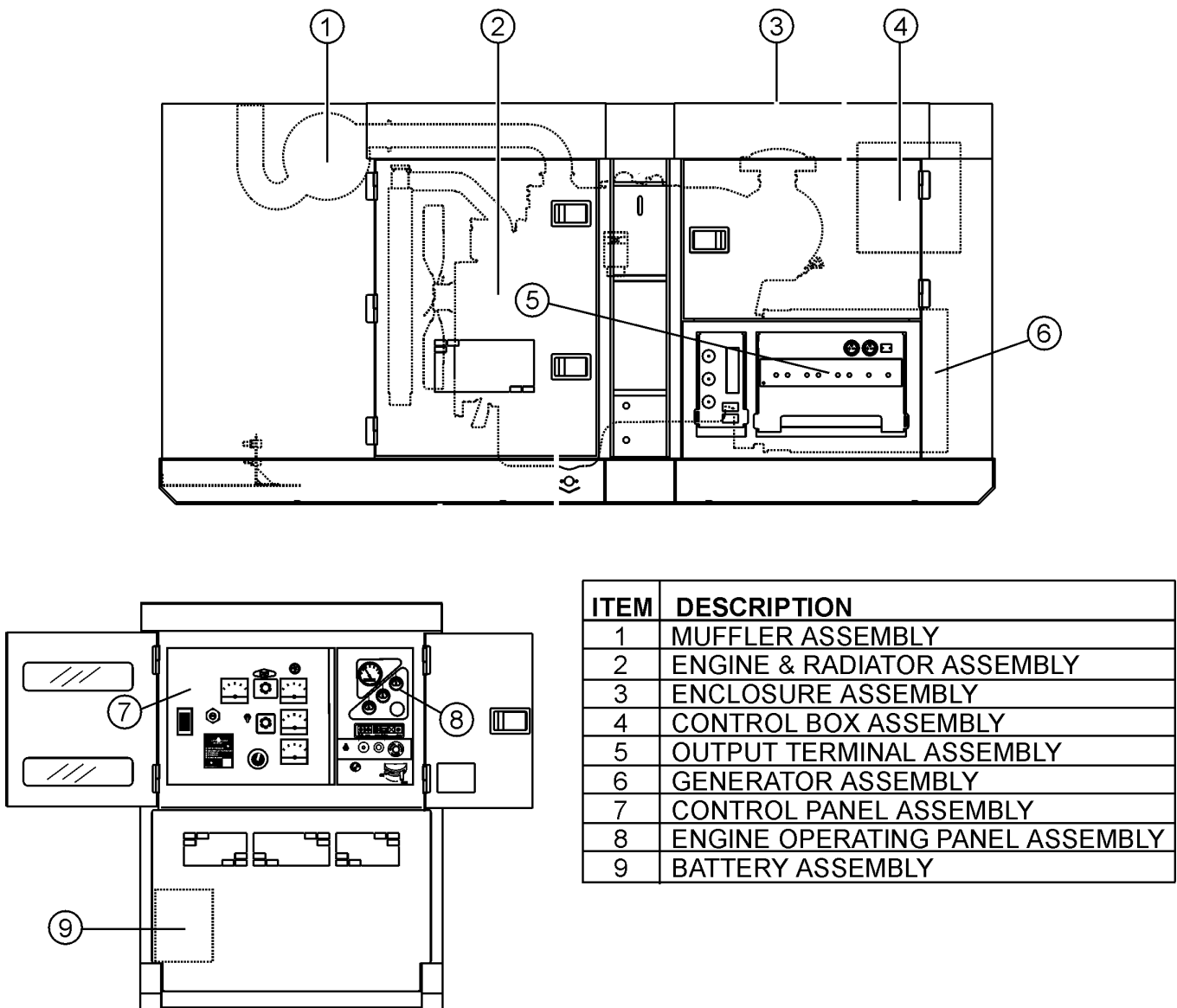
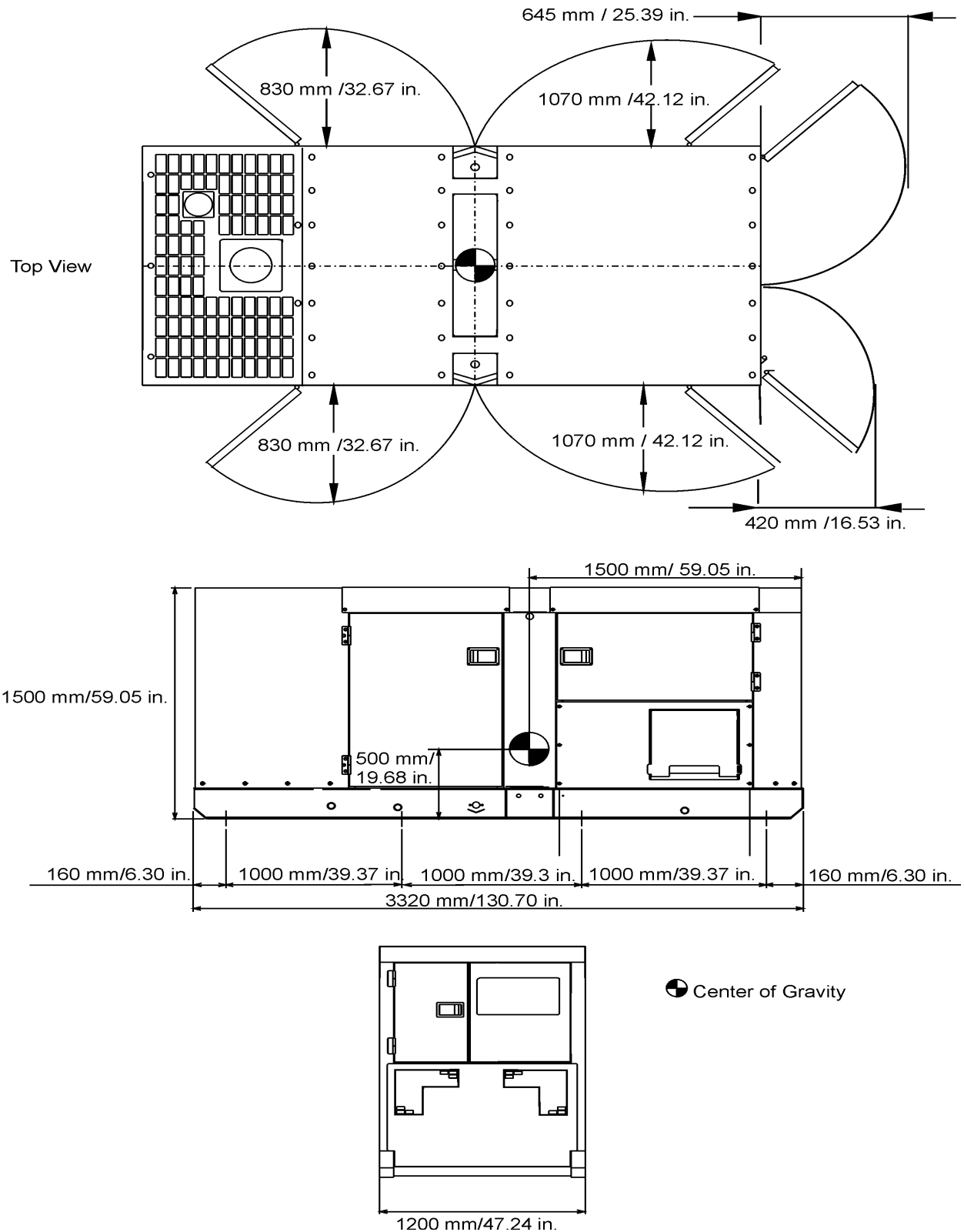
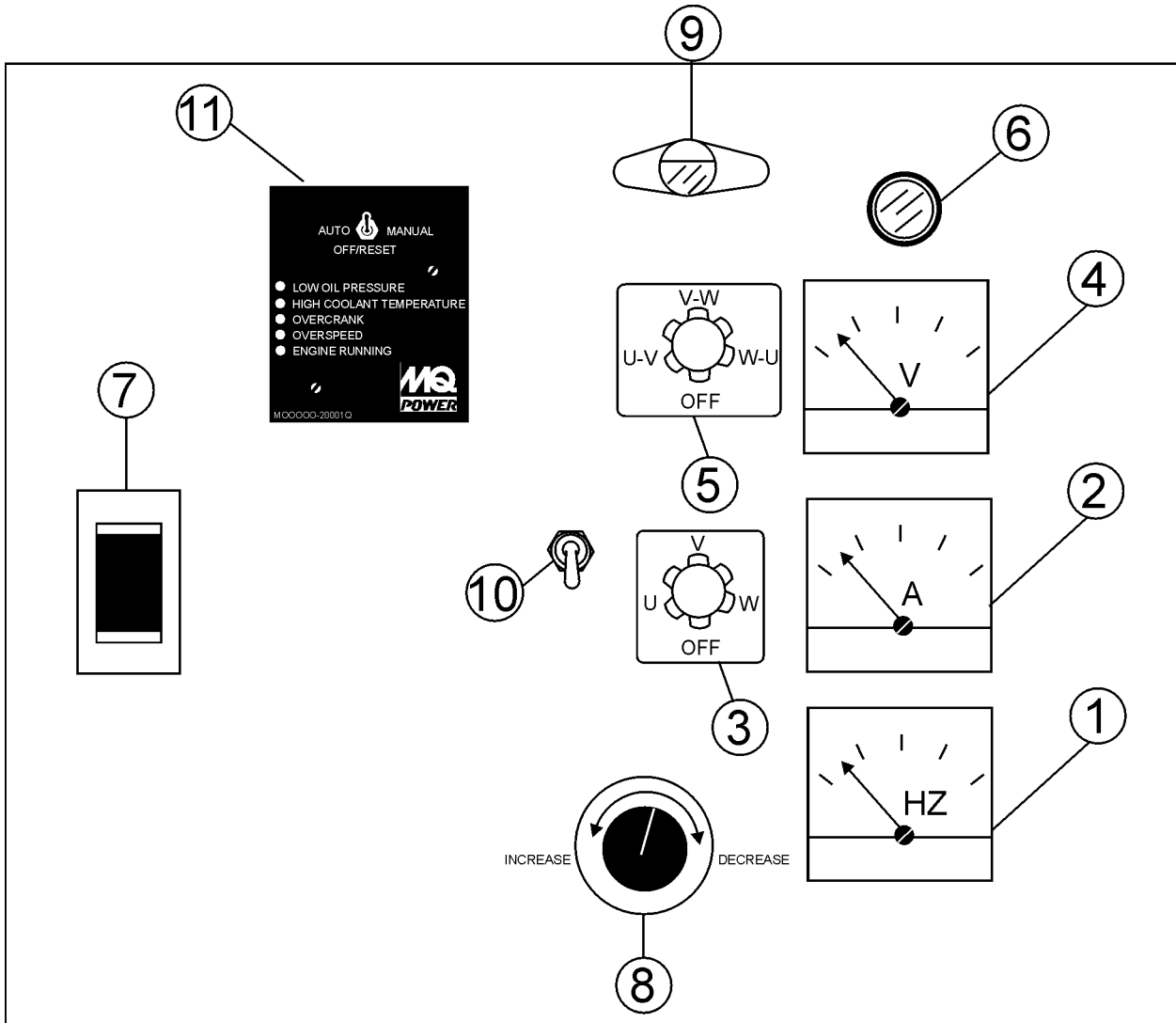


Figure 6. Major Components

# DCA-150SSKII — DIMENSIONS (TOP, SIDE, AND REAR)



**Figure 7. Dimensions**



| NO | DESCRIPTION                   |
|----|-------------------------------|
| 1  | FREQUENCY METER               |
| 2  | AC AMMETER                    |
| 3  | AMMETER CHANGE-OVER SWITCH    |
| 4  | AC VOLTMETER                  |
| 5  | VOLTMETER CHANGE-OVER SWITCH  |
| 6  | PILOT LAMP                    |
| 7  | CIRCUIT BREAKER               |
| 8  | VOLTAGE REGULATOR             |
| 9  | PANEL LIGHT                   |
| 10 | PANEL LIGHT SWITCH            |
| 11 | MICROPROCESSOR ENGINE CONTROL |

Figure 8. Control Panel

The definitions below describe the controls and functions of the DCA-150SSKII " **Control Panel** "(Figure 8).

1. **Frequency Meter** – Indicates the output frequency in hertz (Hz). Normally 60 Hz  $\pm$ 1 Hz .
2. **AC Ammeter** – Indicates the amount of current the load is drawing from the generator.
3. **Ammeter Change-Over Switch** – This switch allows the AC ammeter to indicate the current flowing to the load connected to any phase of the output terminals, or to be switched off.
4. **AC Voltmeter** – Indicates the single phase output voltage present at the UNV terminals.
5. **Voltmeter Change-Over Switch** – This switch allows the AC voltmeter to indicate phase to phase voltage between any two phases of the output terminals or to be switched off.
6. **Pilot Lamp** – Indicates that the generator is working properly.
7. **Main Circuit Breaker** – This three-pole, 600 amp main breaker is provided to protect the UNV voltage output terminals from overload.
8. **Voltage Regulator Control** – Allows manual adjustment of the generator's output voltage
9. **Panel Light** – Normally used in dark areas or at night time. When activated, panel lights will illuminate. When the generator is not in use be sure to turn the panel light switch to the OFF position.
10. **Panel Light Switch** – When activated will turn on control panel light.
11. **MPEC – Microprocessor Engine Control Module** – (MPEC) has a vertical row of status LED's (Figure 9), that when lit, indicate that a engine malfunction (fault), has been detected. When a fault has been detected the MPEC will evaluate the fault and all major faults will shutdown the generator.



Figure 9. MPEC Module

During **cranking cycle** , The MPEC will attempt to crank the engine for 10 seconds before disengaging. If the engine does not engage (start) by the third attempt, the engine will be shut-down by the MPEC's " Over Crank Protection" mode. If the engine engages at a speed (RPM's) that is not safe, the MPEC will shut-down the engine by initializing the "Over Speed Protection" mode.

Also the MPEC will shut-down the generator in the event of low oil pressure, high coolant temperature, low coolant level, and loss of magnetic pickup. These conditions can be observed by monitoring the LED status indicators on the front of the MPEC module.

**A. Off/Manual/Auto Switch** – This switch controls the running of the generator. If this switch is left in the "OFF" position, the generator will not run. When this switch is set to the **manual** position, the generator will start immediately.

If the generator is to be connected to a building's AC power source via a transfer switch (isolation), place the switch in the **auto** position. In this position the generator will monitor the AC line output from the building's power source.

**B. Low Oil Pressure** – Indicates the engine pressure has fallen below 15 psi. The oil pressure is detected using variable resistive values from the oil pressure sending unit. This is considered a **major** fault.

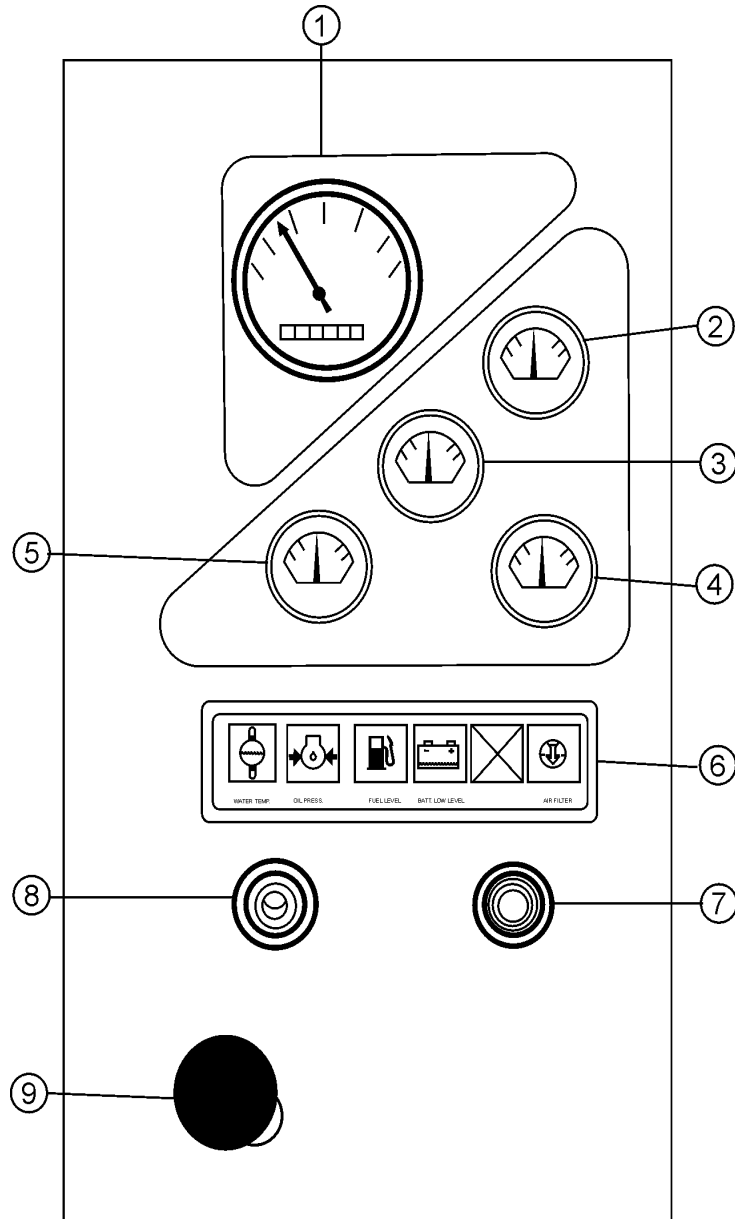
**C. High Coolant Temperature** – Indicates the engine temperature has exceeded 215°F. The engine temperature is detected using variable resistive values from the temperature sending unit. This is considered a **major** fault.

**D. Overcrank Shutdown** – Indicates the unit has attempted to be started a pre- programmed number of times, and has failed to start. The number of cycles and duration are programmable. It is pre-set at 3 cycles with a 10 second duration. This is considered a **major** fault.

**E. Overspeed Shutdown** – Indicates that the engine is running at an unsafe speed. This is considered a **major** fault.

**F. Engine Running** – Indicates that engine is running at a safe operating speed.

# DCA-150SSKII — ENGINE OPERATING PANEL



| NO | DESCRIPTION             |
|----|-------------------------|
| 1  | TACHOMETER              |
| 2  | WATER TEMPERATURE GAUGE |
| 3  | OIL PRESSURE GAUGE      |
| 4  | CHARGING AMMETER        |
| 5  | FUEL GAUGE              |
| 6  | WARNING LAMP MONITOR    |
| 7  | PRE-HEAT BUTTON         |
| 8  | PRE-HEAT LAMP           |
| 9  | ENGINE THROTTLE LEVER   |

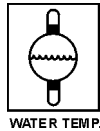
**Figure 10. Engine Operating Panel**

# DCA150SSKII — ENGINE OPERATING PANEL

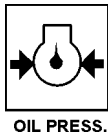
The definitions below describe the controls and functions of the DCA-150SSKII " **Engine Operating Panel**"(Figure 10).

1. **Tachometer** – Indicates engine speed in RPM's for 60 Hz operation. This meter should indicate 1800 RPM's when the rated load is applied. In addition a built in hour meter will record the number of operational hours that the generator has been in use.
2. **Water Temperature Gauge** – During normal operation this gauge be should read in the "GREEN" zone.
3. **Oil Pressure Gauge** – During normal operation this gauge be should read in the "GREEN" zone. When starting the generator the oil pressure mar read a little bit higher, but after the engine warms up the oil pressure should return to the green zone.
4. **Charging Ammeter Gauge** – Indicates the current being supplied by the engine's alternator which provides current for generator's control circuits and battery charging system.
5. **Fuel Gauge** - Indicates amount of diesel fuel available.
6. **Engine Warning Display Module** – This module display's the following engine failures:

A. **Overheat Lamp** – This lamp goes ON when the cooling water temperature rises abnormally. If the lamp goes ON during normal operation of the generator, the emergency shut-down device will stop the engine automatically.



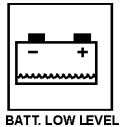
B. **Low Oil Pressure Lamp** – During normal operation of the generator this lamp should remain OFF. When the Auto-OFF/Reset-Manual switch is set to the "Manual" position to start the engine, the lamp will be lit. After the oil pressure rises after start-up the lamp will go OFF. If this lamp is ever lit (ON) during normal operation of the generator, the emergency shut-down device will stop the engine automatically.



C. **Low Fuel Level Lamp** – When this lamp is ON, it is time to stop the engine and add fuel. Remember to let the engine cool before adding fuel.



D. **Low Battery Fluid Lamp** – This lamp goes ON when the battery fluid is low. If this lamp goes ON during normal operation of the generator, stop the engine and fill the battery with distilled water to the specified level.



E. **Clogged Air Filter Lamp** – This lamp goes ON when the air filter is clogged. If this lamp goes ON during normal operation of the generator, stop the engine and replace the air filter.



7. **Pre-Heat Lamp** – Indicates that the glow plugs of the diesel engine are hot and the engine is ready to be started.



8. **Pre-Heat Button** – Press hold this button until the pre-heat lamp is lit (ON).



9. **Throttle Handle** - This handle controls the speed of the engine (low or high).

# DCA-150SSKII — OUTPUT TERMINAL PANEL OVERVIEW

## OUTPUT TERMINAL PANEL FAMILIARIZATION

The "Output Terminal Panel" is provided with the following:

- Three 240/139V output receptacles, 50 amp
- Two 120V input receptacles, 20 amp
- 3 Load Circuit Breakers 265V @65 amps
- 2 Load GFCI Circuit Breakers 265V @ 20amps

## Control Box

The "Control Box" is provided with the following:

- Main Circuit Breaker 400 amps
- Over-Current Relay

## Output Terminal Panel

The Output Control Panel (See Figure 14) is located on the right hand side (left from control panel) of the generator. The UNV lugs are protected by a face plate cover that can be secured in the close position by a pad lock. (See Figure 11).

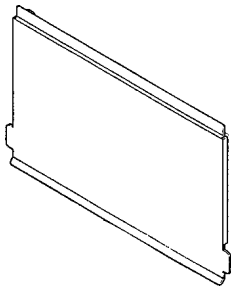


FIGURE 11. Output Terminal Cover

## 120 Volt Recetacle

Two GFCI Duplex Nema 5-20R (120V, 20 Amp) receptacle is provided on the output terminal. This receptacle can be used anytime the generator is in operation. The receptacle is controlled by the circuit breaker located on the control panel.

Pressing the reset button resets the receptacle after being tripped. Pressing the "Test Button" (See Figure 12) in the center of this receptacle will check the GFCI function. The receptacle should be tested at least once a month.

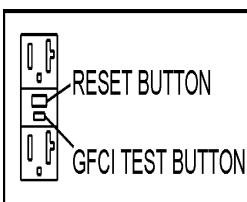


FIGURE 12. GFCI Test Button

## Connecting Load

Loads can be connected to the generator by the UNV Lugs or the convenience receptacles. (See figure 13). Make sure to read the operation manual before attempting to connect a load to the generator.

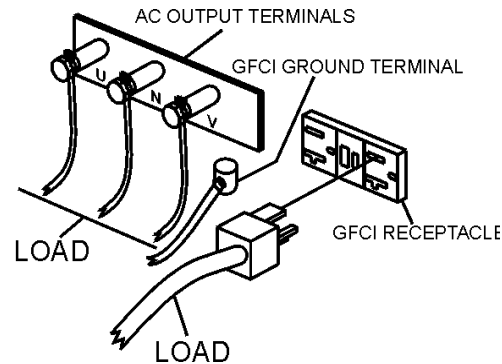


FIGURE 13. Connecting Load

## Circuit Breakers

To protect the generator from an overload, a 3-pole, 400 amp, **main** circuit breaker is provided to protect the UNV output terminals from overload. In addition two single-pole, 20 amp **GFCI** circuit breakers are provided to protect the GFCI receptacles from overload. Three 50 amp **load** circuit breakers have also been provided to protect the load side of the generator from overload. Make sure to switch **ALL** circuit breakers to the "OFF" position prior to starting the engine.

## Maximum Output

The entire load connected to the UNV Lugs, all four slots in the duplex receptacles, and the must not exceed 132 kW in standby or 120 kW in prime output.

**Twist Lock Dual Voltage Receptacles** - To use these receptacles, place the voltage selector switch in the single phase 240/120 voltage position and adjust the output voltage to 240 volts with the voltage regulator on the Control Panel (see figure 14). Place the voltmeter change-over switch to the U-W position and the ammeter change-over switch to the U or W to read the output.



# DCA-150SSKII — OUTPUT TERMINAL PANEL OVERVIEW

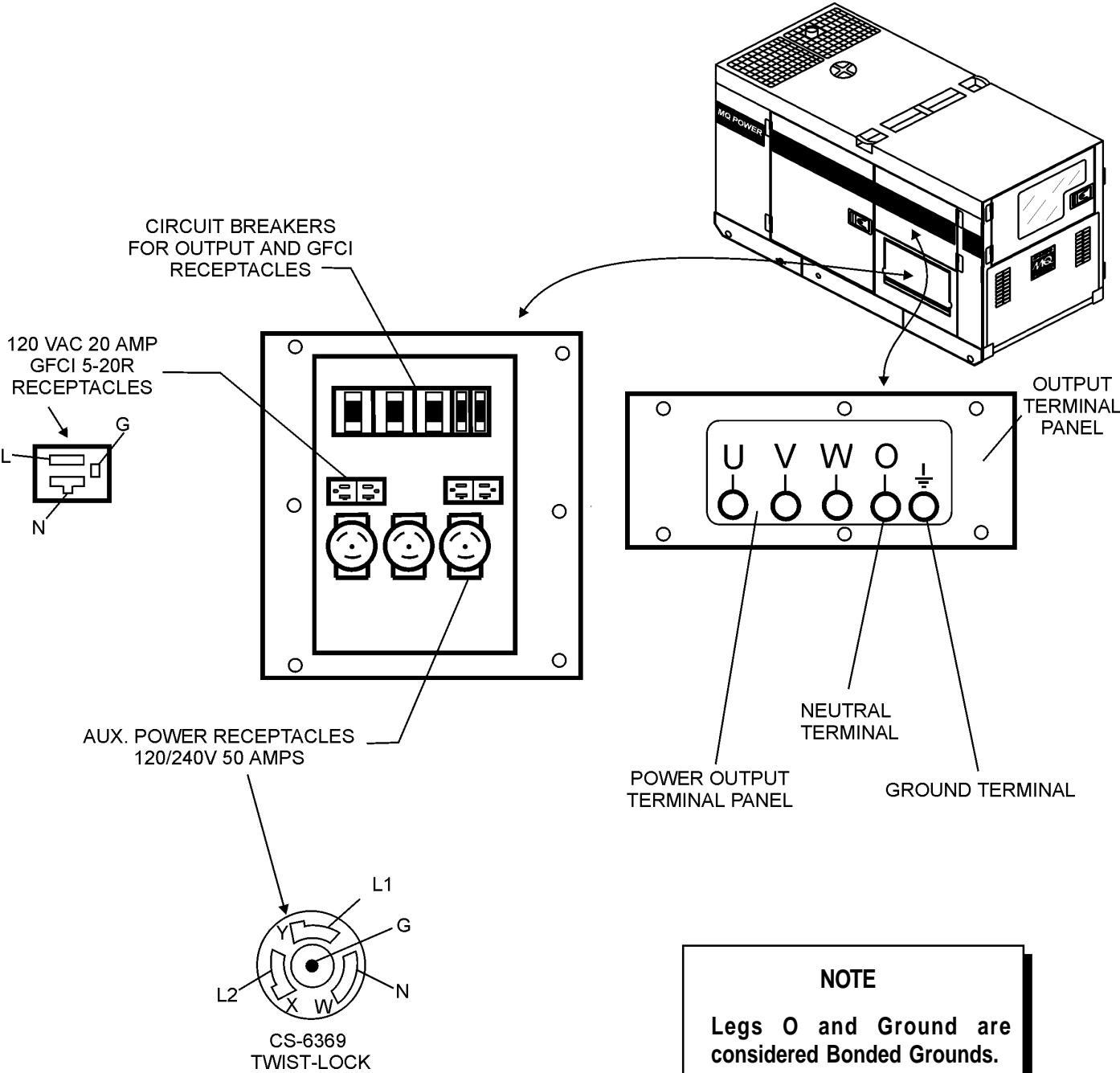


FIGURE 14. Output Terminal Panel

# DCA-150SSKII — OUTPUT TERMINAL PANEL OVERVIEW

## Output Terminal Panel Available Voltages

A wide range of voltages are available to supply load to many different applications. Voltages may be selected by using the voltage selector switch and how you hookup your hard wire connection to the generator. To obtain some of the voltages listed, fine adjustment with the Voltage Regulator on the control panel is necessary. See the table below (Table 8) for a list of available voltages the generator is able to supply.

| TABLE 8. VOLTAGES AVAILABLE  |             |          |          |          |          |          |
|------------------------------|-------------|----------|----------|----------|----------|----------|
| MODEL                        | DCA150SSKII |          |          |          |          |          |
| 3 PHASE VOLTAGE (SWITCHABLE) | 208 VOLT    | 220 VOLT | 240 VOLT | 416 VOLT | 440 VOLT | 480 VOLT |
| SINGLE PHASE (SWITCHABLE)    | 120 VOLT    | 127 VOLT | 139 VOLT | 240 VOLT | 254 VOLT | 277 VOLT |

## Voltage Selector Switch

The voltage selector switch is located above the UVWO Hard Wire Hook-up Panel. It has been provided for ease of voltage selection.

## CAUTION :



**NEVER** switch Voltage Selector Switch position while the engine is engaged.

## Voltage Selector Switch Locking Button

The voltage selector switch has a locking button to protect the generator and generator load from being switched while the engine is running. To lock the Voltage Selector Switch, press in the red button located on the Voltage Selector Switch, and use a pad lock to hold it into this position.

## Over Current Relay

An over current relay is connected to the circuit breaker. In an over current situation, both the circuit breaker and the over current relay may trip. If the circuit breaker can not be reset, the reset button on the over current relay must be pressed. The over current relay is located in the control box.

## Maximum Amps

The following table show the maximum amps the entire generator can provide. Do not exceed the maximum amps listed. (See Table 9)

| Table 9. Maximum Amps |                     |
|-----------------------|---------------------|
| Model:                | DCA150SSKII         |
| Rated Voltage         | Maximum Amps        |
| Single Phase 120 Volt | 333.3 amps (4 wire) |
| Single Phase 240 Volt | 166.7 amps (4 wire) |
| Three Phase 240 Volt  | 361 amps            |
| Three Phase 480 Volt  | 180 amps            |

## Receptacle Use

When the UVWO terminals are providing power, the receptacle power available decrease. Do not exceed receptacle power available listed on Table 10.

| Table 10. Receptacle Use |                                                   |                               |
|--------------------------|---------------------------------------------------|-------------------------------|
| Power in Use             |                                                   | Receptacle Power Available    |
| <b>240/480V 3-Phase</b>  | <b>240/120V Single Phase or Twist Lock CS6369</b> | <b>Duplex NEMA 5-20R 120V</b> |
| <b>KVA</b>               | <b>KW</b>                                         | <b>KW</b>                     |
| 150                      | 87                                                | 0                             |
| 146                      | 85.8                                              | 1.2                           |
| 142                      | 84.6                                              | 2.4                           |
| 138                      | 83.4                                              | 3.6                           |
| 133                      | 82.2                                              | 4.8                           |

# DCA-150SSKII — OUTPUT TERMINAL PANEL OVERVIEW

## How to read the output terminal gauges.

The gauges and knobs on the control panel **DO NOT** effect the generator output in any fashion. They are there to simply help the operator observe how much power is being supplied produced at the UVWO legs.

When the voltage selector switch is in the 240/120V position (see figure 15), place the AC Voltmeter Change-over switch to the W-U position and the AC ammeter Change-over Switch to the U or W position to read the output on the selected leg.

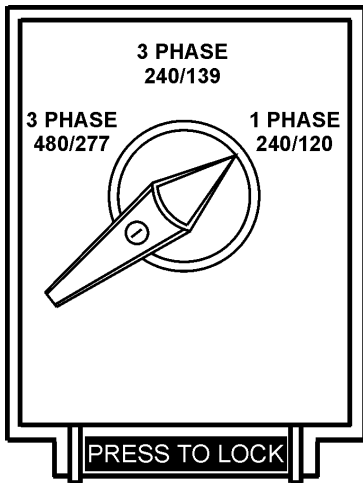


FIGURE 15. Voltage Selector Switch 240/120V Single Phase Position

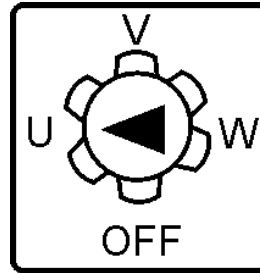


FIGURE 18. AC Ammeter Change-over Switch (Reading the U leg on the output terminal panel)

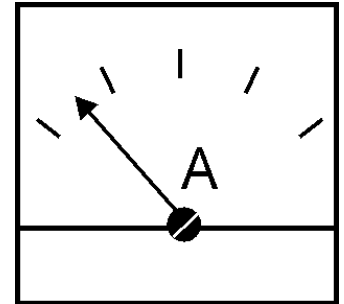


FIGURE 19. AC Ammeter (Amp reading on U lug)

### NOTE

When using plural single phase voltages, make sure to balance the load on each of the single phase legs.

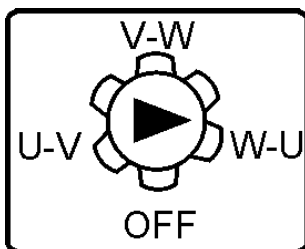


FIGURE 16. AC Voltmeter Change-over switch (Reading the W-U leg on the output terminal panel)

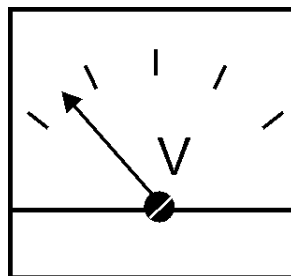


FIGURE 17. AC Voltmeter Gauge (Volt reading on W-U Lug)

# DCA-150SSKII — OUTPUT TERMINAL PANEL OVERVIEW

## 240/120V Hard Wire Hookup

The output terminal panel, when supplying single phase 120 volts, will provide three legs available with 333.3 amps each on three different circuits. (See Figure 21 below.) The voltage selector switch must be set at the single phase 240/120V position. (See figure 20 below.)

The output terminal panel, when supplying single phase 240 volts, will provide one leg only with 166.7 amps available. (See Figure 21 below.) The voltage selector switch must be set at the single phase 240/120V position. (See figure 20 below.)

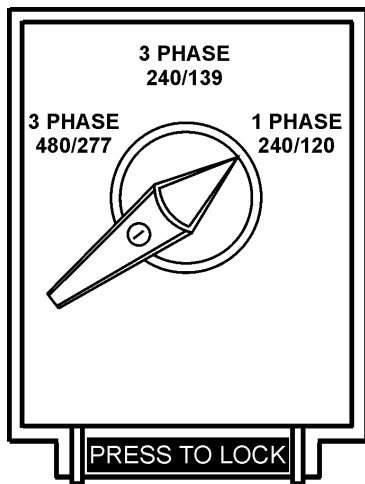


FIGURE 20. Voltage Selector Switch 240/120V Single Phase Position

## 480/240V Hard Wire Hookup

The output terminal panel, when supplying three phase 240 volts, will provide one circuit available at 361 amps with any two wires plus the ground. (See Figure 23 below.) The voltage selector switch must be set at the three phase 480/277V position. (See figure 22 below.)

The output terminal panel, when supplying 3 phase 480 volts, will provide one circuit available at 180 amps available with all three wires plus ground. (See Figure 23 below.) The voltage selector switch must be set at the three phase 480/277V position. (See figure 22 below.)

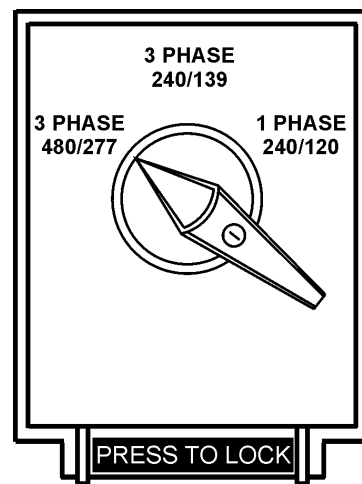


FIGURE 22. Voltage Selector Switch 480/277V Three Phase Position

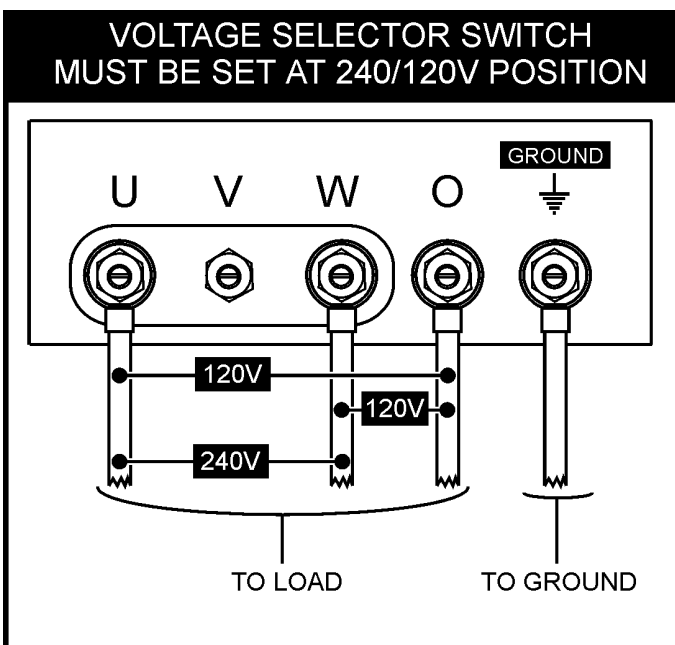


FIGURE 21. Hard Wire Hook-up at 240/120V Position

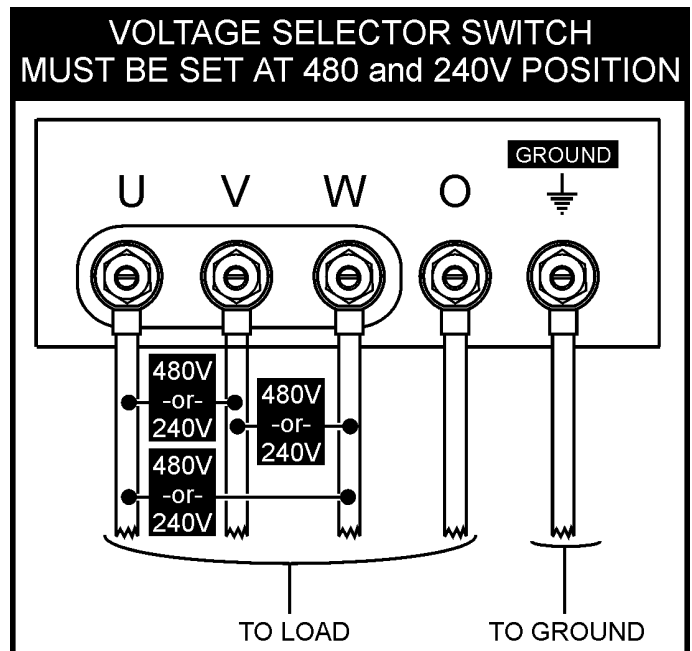


FIGURE 23. Hard Wire Hook-up at 480/240V Position

# DCA-150SSKII — OUTPUT TERMINAL PANEL OVERVIEW

**Voltage Selector Switch- 3 Phase 480/277V Position**  
 The following are additional voltages available when the voltage selector switch is in the 3 phase 480/277V position. (See figure 24 below.)

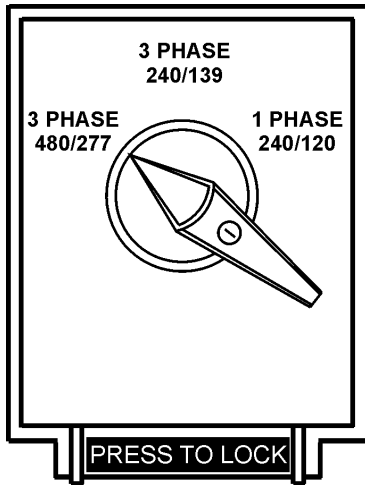


FIGURE 24. Voltage Selector Switch 480/277V Single Phase Position

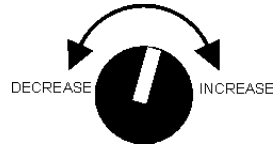


FIGURE 25. Voltage Regulator Knob Located on the Control Panel.

**3 Phase, 480V, 440V, or 416 Volt**

The following connection, with the voltage selector switch locked into the 3 phase 480/277V position (See Figure 24), can offer **THREE PHASE** power at 480V, 440V, or 416V. After hooking up the hard wires to the lugs as shown in figure 26 below, 480V will be the voltage with the Voltage Regulator Knob turned toward maximum. 440 volt will be reached when the Voltage Regulator Knob is turned down, and 416 volt when the Voltage Regulator Knob is toward the lowest setting (See Figure 25).

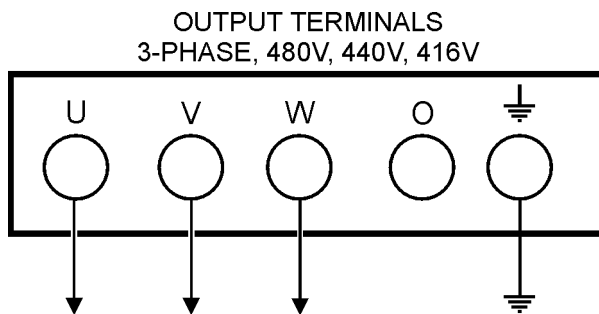


FIGURE 26. Hard Wire Hook-up for Three Phase 480V, 440V, or 416V

**Single Phase: 480V, 440V, or 416 Volt**

The following connection, with the voltage selector switch locked into the 3 phase 480/277V position (See Figure 24), can offer **SINGLE PHASE** power at 480V, 440V, or 416V. After hooking up the hard wires to the lugs as shown in figure 27 below, 480V will be the voltage with the Voltage Regulator Knob turned toward maximum. 440 volt will be reached when the Voltage Regulator Knob is turned down, and 416 volt when the Voltage Regulator Knob is toward the lowest setting (See Figure 25).

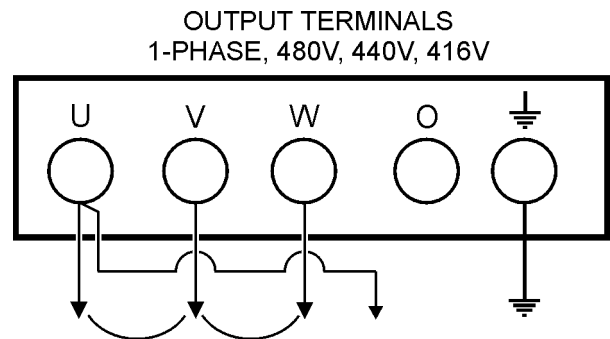


FIGURE 27. Hard Wire Hook-up for Single Phase 480V, 440V, or 416V

**Single Phase: 277V, 254V, or 240V**

The following connection, with the voltage selector switch locked into the 3 phase 480/277V position (See Figure 24), can offer **SINGLE PHASE** power at 277V, 254V, or 240V. After hooking up the hard wires to the lugs as shown in figure 28 below, 277V will be the voltage with the Voltage Regulator Knob turned toward maximum. 254 volt will be reached when the Voltage Regulator Knob is turned down, and 240 volt when the Voltage Regulator Knob is toward the lowest setting (See Figure 25).

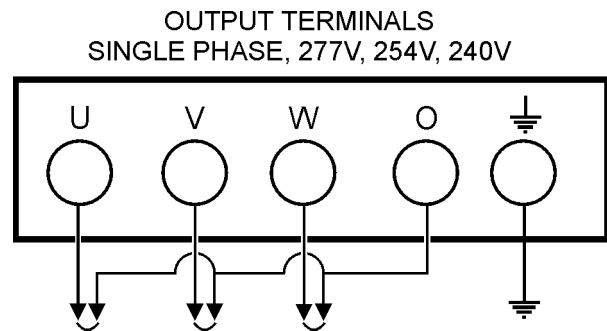


FIGURE 28. Hard Wire Hook-up for Single Phase 277V, 254V, or 240V

# DCA-150SSKII — OUTPUT TERMINAL PANEL OVERVIEW

## Voltage Selector Switch- 3 Phase 240/139V Position

The following are additional voltages available when the voltage selector switch is in the 3 phase 240/139V position. (See Figure 29 below.)

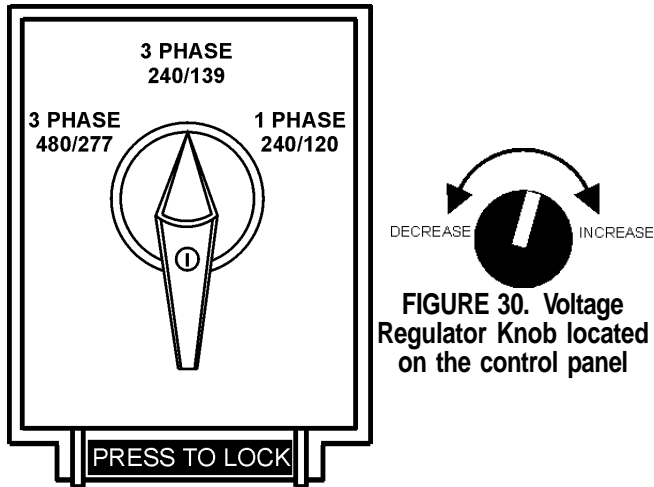


FIGURE 29. Voltage Selector Switch 240/139V Three Phase Position

## 3 Phase, 240V, 220V, or 208 Volt

The following connection, with the voltage selector switch locked into the 3 phase 240/139V position (See Figure 29), can offer **THREE PHASE** power at 240V, 220V, or 208V. After hooking up the hard wires to the lugs as shown in figure 31 below, 240V will be the voltage with the Voltage Regulator Knob turned toward maximum. 220 volt will be reached when the Voltage Regulator Knob is turned down, and 208 volt when the Voltage Regulator Knob is toward the lowest setting (See Figure 30).

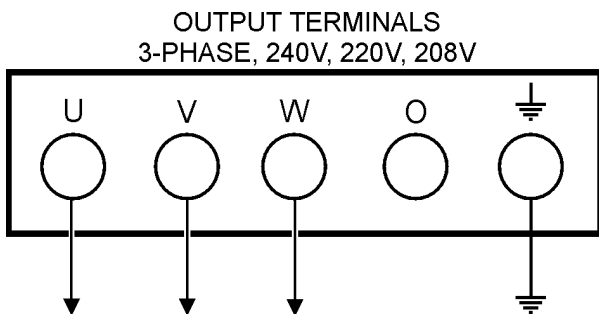


FIGURE 31. Hard Wire Hook-up for Three Phase 240V, 220V, or 208V

## Single Phase: 240V, 220V, or 208 Volt

The following connection, with the voltage selector switch locked into the 3 phase 240/139V position (See Figure 29), can offer **SINGLE PHASE** power at 240V, 220V, or 208V. After hooking up the hard wires to the lugs as shown in figure 32 below, 240V will be the voltage with the Voltage Regulator Knob turned toward maximum. 220 volt will be reached when the Voltage Regulator Knob is turned down, and 208 volt when the Voltage Regulator Knob is toward the lowest setting (See Figure 30).

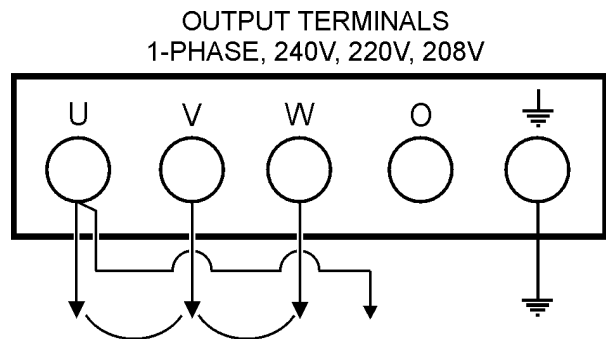


FIGURE 32. Hard Wire Hook-up for Single Phase 240V, 220V, or 208V

## Single Phase: 139V, 127V, or 120V

The following connection, with the voltage selector switch locked into the 3 phase 240/139V position (See Figure 29), can offer **SINGLE PHASE** power at 139V, 127V, or 120V. After hooking up the hard wires to the lugs as shown in figure 33 below, 139V will be the voltage with the Voltage Regulator Knob turned toward maximum. 127 volt will be reached when the Voltage Regulator Knob is turned down, and 120 volt when the Voltage Regulator Knob is toward the lowest setting (See Figure 30).

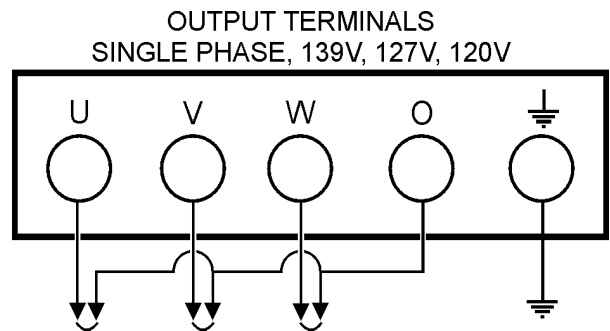


FIGURE 33. Hard Wire Hook-up for Single Phase 139V, 127V, or 120V

# DCA-150SSKII — OUTPUT TERMINAL PANEL OVERVIEW

## Voltage Selector Switch- Single Phase 240/120V Position

The following are additional voltages available when the voltage selector switch is in the single phase 240/120V position. (See Figure 34 below.)

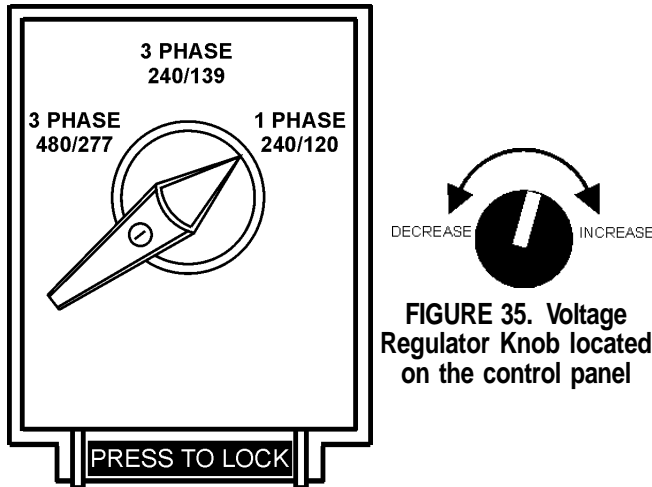


FIGURE 34. Voltage Selector Switch 240/120V Single Phase Position

## Single Phase: 120 Volt

The following connection, with the voltage selector switch locked into the single phase 240/120V position (See Figure 34), will offer **SINGLE PHASE** power at 120V. After hooking up the hard wires to the lugs as shown in figure 37 below, use the Voltage Regulator Knob to fine tune to 120V. (See Figure 35).

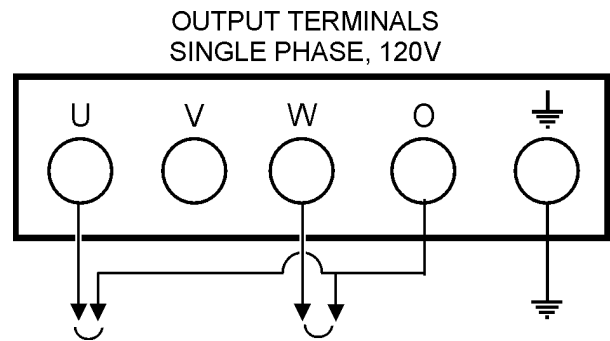


FIGURE 37. Hard Wire Hook-up for Single Phase, 120 volt

## Single Phase, 240 Volt

The following connection, with the voltage selector switch locked into the single phase 240/120V position (See Figure 34), will offer **SINGLE PHASE** power at 240V. After hooking up the hard wires to the lugs as shown in figure 36 below, use the Voltage Regulator Knob to fine tune to 240V. (See Figure 35).

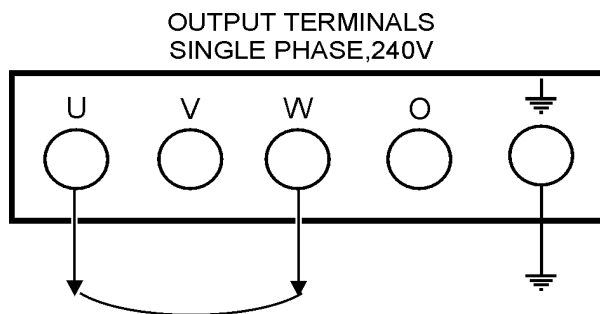


FIGURE 36. Hard Wire Hook-up for Single Phase 240 volt

## Outdoor Installation

Install the generator in a location where it will not be exposed to rain or sunshine. Make sure that the generator is on secure level ground so it cannot slide or shift around. Also install the generator so the exhaust will not be discharged in the direction of nearby homes.

The installation site must be relatively free from moisture and dust. All electrical equipment should be protected from excessive moisture. Failure to do will result in deterioration of the insulation and will result in short circuits and grounding.

Foreign materials such as dust, sand, lint and abrasive materials have a tendency to cause excessive wear, not only to the engine parts, but also to the alternator parts.

## CAUTION :



Pay close attention to ventilation when operating the generator inside tunnels and caves. The engine exhaust contains noxious elements. Engine exhaust must be routed to a ventilated area.

## Indoor Installation

Exhaust gases from diesel engines are extremely poisonous. Whenever an engine is installed indoors the exhaust fumes must be vented to the outside. The engine should be installed at least two feet from any outside wall. Using an exhaust pipe which is too long or too small can cause excessive back pressure which will cause the engine to heat excessively and possibly burn the valves.

**DO NOT** cover ventilation areas on the enclosure, covering the ventilation grids will cause the engine to over heat.

## CAUTION :



An electric shock is apt to happen when vibrators are used. Pay close attention to handling when operating vibrators and always use rubber boots and gloves to insulate the body from electrical shock.

## Generator Grounding

To guard against electrical shock and possible damage to the equipment, it is important to provide a good **EARTH** ground.

Article 250 (Grounding) of the National Electrical Code (NEC) provides guide lines for proper grounding and specifies that the cable ground shall be connected to the grounding system of the building as close to the point of cable entry as practical.

NEC articles 250-64(b) and 250-66 set the following grounding requirements:

1. Use one of the following wire types to connect the generator to earth ground.
  - a. Copper - 10 AWG (5.3 mm<sup>2</sup>) or larger.
  - b. Aluminum - 8 AWG (8.4 mm<sup>2</sup>) or larger.
2. When grounding the generator (Figure 9) connect the ground cable between the lock washer and the nut on the generator and tighten the nut fully. Connect the other end of the ground cable to earth ground.
3. NEC article 250-52(c) specifies that the earth ground rod should be buried a minimum of 8 ft. into the ground.

## NOTE

When connecting the generator to any buildings electrical system **ALWAYS** consult with a licensed electrician.



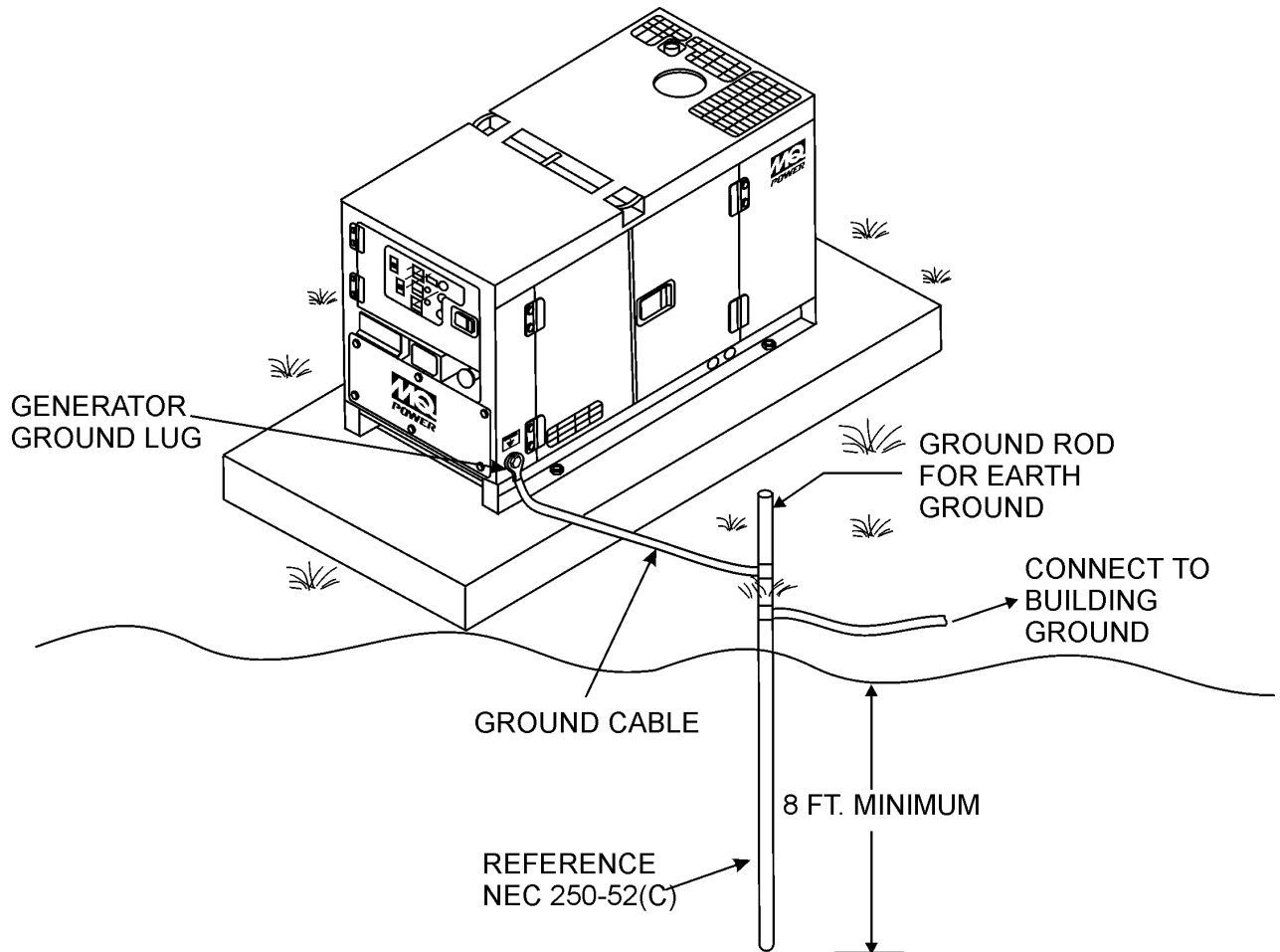


Figure 38. Typical Generator Grounding Application

## CAUTION :



Always check Local, State, and Federal laws before grounding generator set.

## General Inspection Prior to Operation

The DCA-150SSKII generator has been thoroughly inspected and accepted prior to shipment from the factory. However, be sure to check for damaged parts or components, or loose nuts and bolts, which could have occurred in transit.

## Extension Cable

When electric power is to be provided to various tools or loads at some distance from the generator, extension cords are normally used. Cables should be sized to allow for distance in length and amperage so that the voltage drop between the generator and point of use (load) is held to a minimum. Use Table 11 (cable selection guide) as a guide for selecting proper cable size.

## Circuit Breakers

To protect the generator from an overload, a 3-pole, 400 amp, **main** circuit breaker is provided to protect the UNV output terminals from overload. In addition two single-pole, 20 amp **GFCI** circuit breakers are provided to protect the GFCI receptacles from overload. Three 50 amp **load** circuit breakers have also been provided to protect the load side of the generator from overload. Make sure to switch **ALL** circuit breakers to the "OFF" position prior to starting the engine.

### NOTE

**ALWAYS** consult with a licensed electrician for correct extension cord wire size.

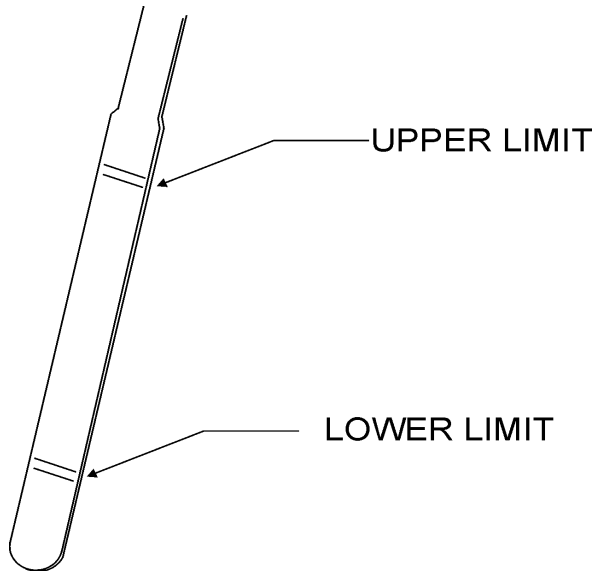
**Table 11. Cable Selection (60 Hz, Single Phase Operation)**

| Current in Amperes | Load In Watts |              | Maximum Allowable Cable Length |          |          |          |
|--------------------|---------------|--------------|--------------------------------|----------|----------|----------|
|                    | At 120 Volts  | At 240 Volts | #10 Wire                       | #12 Wire | #14 Wire | #16 Wire |
| 2.5                | 300           | 600          | 1000 ft.                       | 600 ft.  | 375 ft.  | 250 ft.  |
| 5                  | 600           | 1200         | 500 ft.                        | 300 ft.  | 200 ft.  | 125 ft.  |
| 7.5                | 900           | 1800         | 350 ft.                        | 200 ft.  | 125 ft.  | 100 ft.  |
| 10                 | 1200          | 2400         | 250 ft.                        | 150 ft.  | 100 ft.  |          |
| 15                 | 1800          | 3600         | 150 ft.                        | 100 ft.  | 65 ft.   |          |
| 20                 | 2400          | 4800         | 125 ft.                        | 75 ft.   | 50 ft.   |          |

CAUTION: Equipment damage can result from low voltage.

## Lubrication Oil

Fill the engine crankcase with lubricating oil through the filler hole, but do not overfill. Make sure the generator is level. With the dipstick inserted all the way, but without being screw into the filler hole, verify that the oil level is maintained between the two notches (Figure 39) on the dipstick. See Table 3 for proper selection of engine oil.



**Figure 39. Engine Oil Dipstick**

When checking the engine oil, be sure to check if the oil is clean and viscous. If the oil is not clean, drain the oil by removing the oil drain plug, and refill with the specified amount of oil as outlined in the **Komatsu Engine Owner's Manual**.

## Fuel

Fill the fuel tank with clean and fresh **diesel fuel**. **DO NOT** fill the tank beyond capacity.

Pay attention to the fuel tank capacity when replenishing fuel. Refer to the fuel tank capacity listed on page 23, Specification Table 7.

The fuel tank cap must be closed tightly after filling. Handle fuel in a safety container. If the container does not have a spout, use a funnel. Wipe up any spilled fuel immediately.

## CAUTION:



Never fill the fuel tank while the engine is running or in the dark. Diesel spillage on a hot engine can cause a fire or explosion. If diesel spillage occurs, wipe up the spilled diesel completely to prevent fire hazards.

## Coolant

Use only drinkable tap water. If hard water or water with many impurities is used, the inside of the engine and radiator may become coated with deposits and cooling efficiency will be reduced.

An anticorrosion additive added to the water will help prevent deposits and corrosion in the cooling system. See the engine manual for further details.

**Table 12. Recommended Motor Oil**

| Temperature Range                | Type Oil              |
|----------------------------------|-----------------------|
| 104° F ~ 23° F<br>(40° C ~ -5°C) | SAE 30                |
| 23° F ~ 5° F<br>(-5° C ~ -15°C)  | SAE 20 or SAE 10W-30  |
| Below 5° C (-15°)                | SAE 10W or SAE 10W-30 |

## CAUTION :



When adding coolant or antifreeze to the radiator, do not remove the radiator cap until the unit has completely cooled.

Day-to-day addition of coolant is done from the reserve tank. When adding coolant to the radiator, **DO NOT** remove the radiator cap until the unit has completely cooled. See Table 13. for engine, radiator, and reserve tank coolant capacities. Make sure that the coolant level in the reserve tank is always between the "H" and the "L" markings.

**Table 13. Coolant Capacity**

|                     |                        |
|---------------------|------------------------|
| Engine and Radiator | 7.4 Gal. (28 Liters)   |
| Reserve Tank        | 2 Quarts (11.9 Liters) |

### Operation in Freezing Weather

When operating in freezing weather, be certain that the proper amount of antifreeze (Table 14) has been added.

**Table 14. Anti-Freeze Operating Temperatures**

| Vol %<br>Anti-Freeze | Freezing Point |     | Boiling Point |     |
|----------------------|----------------|-----|---------------|-----|
|                      | °C             | °F  | °C            | °F  |
| 40                   | -24            | -12 | 106           | 222 |
| 50                   | -37            | -34 | 108           | 226 |

### NOTE

*When the anti-freeze is mixed with water, the anti-freeze mixing ratio must be less than 50%.*

### Cleaning the Radiator

The radiator may overheat if the fins become overloaded with dust or debris. Periodically clean the radiator fins with compressed air. Cleaning inside the machine is dangerous, so clean only with the engine turned off and the battery disconnected.

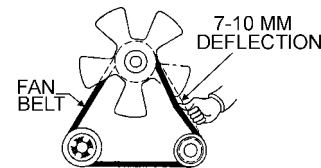
### Air Cleaner

Periodic cleaning/replacement is necessary. Inspect it in accordance with the **Komatsu Engine Owner's Manual**.

### Fan Belt Tension

A slack fan belt may contribute to overheating, or to insufficient charging of the battery. Inspect the fan belt for damage and wear and adjust it in accordance with the **Komatsu Engine Owner's Manual**.

The fan belt tension is proper if the fan belt bends 7 to 10 mm (Figure 40) when depressed with the thumb as shown below.



**Figure 40. Fan Belt Tension**

## CAUTION :



Never place hands near the belts or fan while the generator set is running.

### Battery

This unit is of negative ground. **DO NOT** connect in reverse. Always maintain battery fluid level between the specified marks. Battery life will be shortened, if the fluid level is not properly maintained. Add only distilled water when replenishment is necessary.

The battery is sufficiently charged if the specific gravity of the battery fluid is 1.28 (at 68°F). If the specific gravity should fall to 1.245 or lower, it indicates that the battery is dead and needs to be recharged or replaced.

Check to see whether the battery cables are loose. Poor contact may result in poor starting or malfunctions. Always keep the terminals firmly tightened. Coating the terminals with a thin film of grease will help to inhibit corrosion.

## Battery Cable Installation

**ALWAYS** be sure the battery cables (Figure 41) are properly connected to the battery terminals as shown below. The **RED** cable is connected to the positive terminal of the battery, and the **BLACK** cable is connected to the negative terminal of the battery.

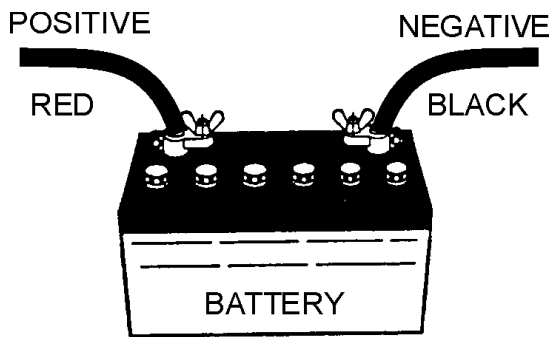


Figure 41. Battery Connections

## CAUTION :



Inadequate battery connections may cause poor starting of the generator, and create other malfunctions.

## Wiring

Inspect the entire generator for bad or worn electrical wiring or connections. If any wiring or connections are exposed (insulation missing) replace wiring immediately.

## Piping and Hose Connection

Inspect all piping, oil hose, and fuel hose connections for wear and tightness. Tighten all hose clamps and check hoses for leaks.

If any hose (fuel or oil) lines are defective replace them immediately.

## CAUTION :



If the battery cable is connected incorrectly, electrical damage to the generator will occur. Pay close attention to the polarity of the battery when connecting the battery.

When connecting battery do the following:

1. **ALWAYS** make sure that the Off/Manual/Auto switch is in the "OFF" position when connecting the battery. If the generator is equipped with an ignition switch, make sure the ignition switch is in the "OFF" position and the key is removed.
2. Place a small amount of grease around both battery terminals. This will ensure a good connection and will help prevent corrosion around the battery terminals.

## Single Phase Load

Always be sure to check the nameplate on the generator and equipment to insure the wattage, amperage and frequency requirements are satisfactorily supplied by the generator for operating the equipment.

Generally, the wattage listed on the nameplate of the equipment is its rated output. Equipment may require 130—150% more wattage than the rating on the nameplate, as the wattage is influenced by the efficiency, power factor and starting system of the equipment.

### NOTE

If wattage is not given on the equipment's name plate, approximate wattage may be determined by multiplying nameplate voltage by the nameplate amperage.

$$\text{WATTS} = \text{VOLTAGE} \times \text{AMPERAGE}$$

The power factor of this generator is 0.8. See Table 15. below when connecting loads.

**Table 15. Power Factor By Load**

| Type Of Load                                | Power Factor |
|---------------------------------------------|--------------|
| Single-phase induction motors               | 0.4 - 0.75   |
| Electric heaters, incandescent lamps        | 1.0          |
| Fluorescent lamps, mercury lamps            | 0.4 - 0.9    |
| Electronic devices, communication equipment | 1.0          |
| Common power tools                          | 0.8          |

## Three Phase Load

When calculating the power requirements for 3-phase power use the following equation:

$$\text{KVA} = \frac{\text{VOLTAGE} \times \text{AMPERAGE} \times \sqrt{3}}{1000}$$

## CAUTION:



Motors and motor-driven equipment draw much greater current for starting than during operation.

An inadequate size connecting cable which cannot carry the required load can cause a voltage drop which can burn out the appliance or tool and overheat the cable.

- When connecting a resistance load such as an incandescent lamp or electric heater, a capacity of up to the generating set's rated output (kW) can be used.
- When connecting a fluorescent or mercury lamp, a capacity of up to the generating set's rated output (kW) multiplied by 0.6 can be used.
- When connecting an electric drill or other power tools, pay close attention to the required starting current capacity.

When connecting ordinary power tools, a capacity of up to the generating set's rated output (kW) multiplied by 0.8 can be used.

## CAUTION:



Before connecting this generator to any building's electrical system, a licensed electrician must install an isolation (transfer) switch. Serious injury or death may result without this transfer switch.

### NOTE

If output (kVA) is not given on the equipment nameplate, approximate output may be determined by multiplying voltage by amperage by  $\sqrt{3}$ .

# DCA-150SSKII — GENERATOR START-UP PROCEDURE (MANUAL)

## WARNING:



### Before Starting Engine

The engine's exhaust contains harmful emissions. **ALWAYS** ventilate the exhaust when operating inside tunnels, excavations or buildings. Direct exhaust away from nearby

1. Check the lubricating oil level prior to starting the engine. Make sure the generator is level. The oil level must be maintained between two notches on the dipstick.
2. When there is not enough lubricating oil, fill the crankcase with high grade motor oil. Use a high quality detergent oil classified CC or higher (See Table 12 on page 43).
3. Check the coolant level in the radiator and subtank. Replenish with antifreeze as necessary. Always maintain the coolant level between the **FULL** and **LOW** markings on the coolant container. Be sure that the radiator cap is fastened securely.
4. Check the fuel level on the fuel gauge. If fuel is low, fill the fuel tank with clean fresh unleaded automotive diesel. If diesel spillage occurs, completely wipe up the spilled fuel immediately.

### Before Starting Generator and Control Panel

## CAUTION:



**NEVER** start the engine with the **main**, **GFCI** or **load** circuit breakers in the **ON** position.

1. Be sure to disconnect the electrical load and switch the **main**, **load** and **G.F.C.I.** circuit breakers (Figure 42) to the "OFF" position prior to starting the engine.

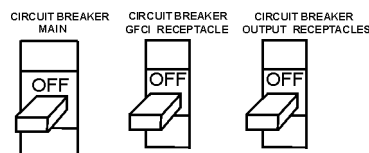


Figure 42. Main, GFCI and Load Circuit Breakers

2. Once it is determined if commercial power is required, connect the load to the UNV terminals as shown in Figure 43. These terminals can be found on the output terminal panel, see page 33, Figure 14. To gain access to the output terminals lift the UNV cover. Make sure to tighten terminal nuts securely to prevent load wires from slipping out.

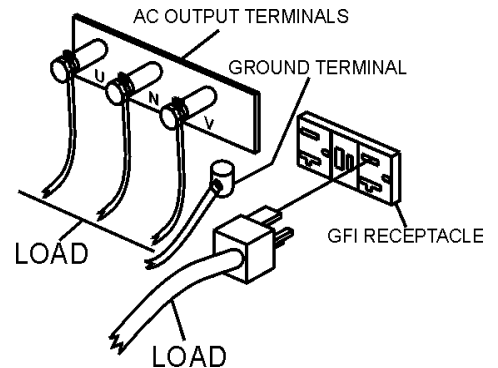


Figure 43. UNV Terminal Lugs (Load)

3. Connect the negative battery cable (BLACK) to the negative post on the battery (Figure 44).

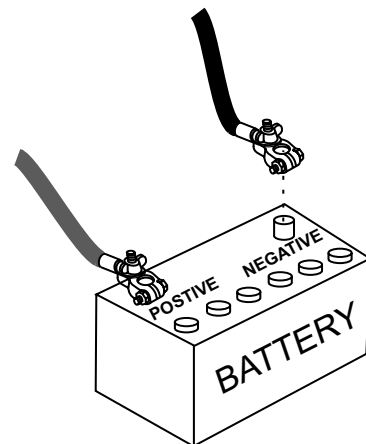
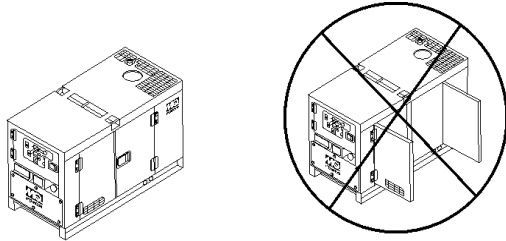


Figure 44. Battery Connections

# DCA-150SSKII — GENERATOR START-UP PROCEDURE (MANUAL)

4. Close all engine enclosure doors (Figure 45).



**CORRECT**                      **INCORRECT**  
**Figure 45. Engine Enclosure Doors**

5. When starting the generator in **COLD** weather conditions, press and hold the engine preheat button (Figure 46) until the pre-heat lamp (Figure 47) is lit (ON).

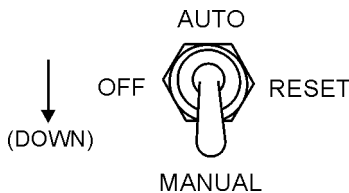


**Figure 46. Engine Pre-Heat Button**



**Figure 47. Engine Pre-Heat Lamp**

6. Place the Off/Manual/Auto switch (Figure 48) in the **MANUAL** position (down). Observe that the engine begins to crank.



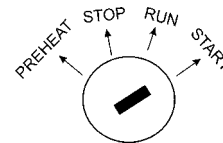
**Figure 48. Off/Manual/Auto Switch (Manual)**

7. After engine starts, verify that the "Engine Running" status LED (Figure 49) on the Microprocessor Engine Control Module (MPEC) display is "ON" (lit).



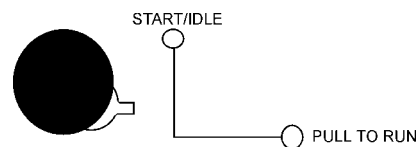
**Figure 49. MPEC Engine Running Status LED**

8. If the unit has an ignition switch (Figure 50), turn the key to the right, until the engine starts. Then release the key to 'Run'.



**Figure 50. Ignition Switch (Run)**

9. Pull and turn the engine throttle lever (Figure 51) to increase the engine speed to high.



**Figure 51. Engine Throttle Lever (High)**

10. If the generator is equipped without the engine throttle lever, set the idle control switch to the "ON" position. (See figure 52)



**Figure 52. Idle Control (ON)**



# DCA-150SSKII — GENERATOR START-UP PROCEDURE (MANUAL)

11. The generator's frequency meter (Figure 53) displays the 60 cycle output frequency in **HERTZ**.

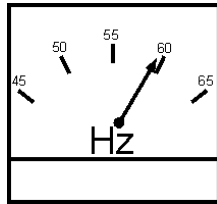


Figure 53. Frequency Meter (Hz)

12. The generator's voltage meter (Figure 54) displays the 120 VAC in **VOLTS**. If the voltage is not within the specified frequency tolerance, use the voltage adjustment control knob (Figure 55) to increase or decrease the desired voltage.

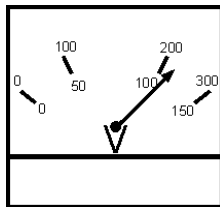


Figure 54. Voltage Meter (Volts)

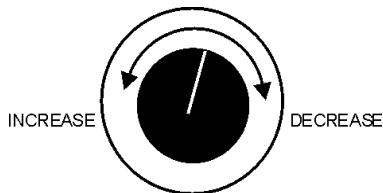


Figure 55. Voltage Adjust Control Knob

13. The ammeter (Figure 56) will indicate zero amps with no load applied. When a load is applied, this meter will indicate the amount of current that the load is drawing from the generator's alternator.

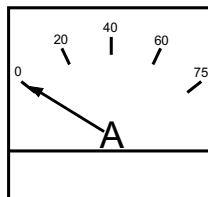


Figure 56. Ammeter (No Load)

14. The engine oil pressure gauge (Figure 57) will indicate the oil pressure (kg/cm<sup>2</sup>) of the engine. Under normal operating conditions the oil pressure should be approximately 25 psi.

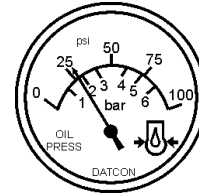


Figure 57. Oil Pressure Gauge

15. The coolant temperature gauge (Figure 58) will indicate the coolant temperature. Under normal operating conditions the coolant temperature should be between 105 and 215 degrees fahrenheit (Green Zone).

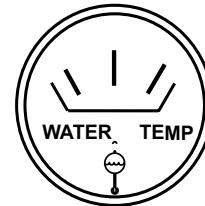


Figure 58. Coolant Temperature Gauge

16. The tachometer (Figure 59) will indicate the speed of the engine when the generator is operating. Under normal operating conditions this speed should be approximately 1800 RPM's.

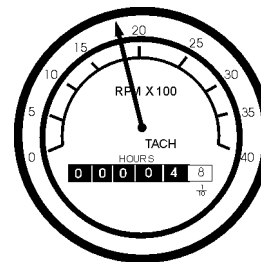


Figure 59. Engine Tachometer

# DCA-150SSKII — GENERATOR START-UP PROCEDURE (AUTO)

- After the engine has been running for a few minutes, look at the status LED'S on the "MPEC" display (Figure 9) and check it for any abnormal conditions. If any abnormal conditions exist, shut down the engine and take corrective action to solve the problem.
- If there are no abnormal problems shown on the "MPEC" LED display, turn the MAIN, GFCI and LOAD circuit breakers to their ON position (Figure 60).

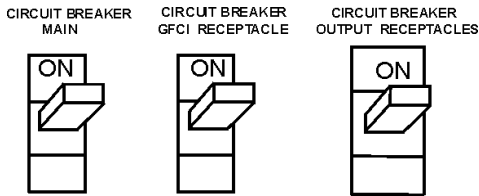


Figure 60. Main and GFCI Circuit Breakers

- Look at the generator's ammeter (Figure 61) and verify that it reads the anticipated amount of current with respect to the load. Remember the ammeter will only display a current reading if the load is in use.

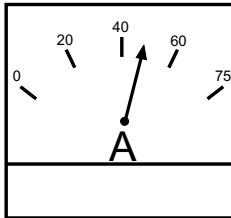


Figure 61. Ammeter (Load)

- The generator will run until manually stopped or an abnormal condition occurs.

## CAUTION:



Before connecting this generator to any building's electrical system, a **licensed electrician** must install an isolation (transfer) switch. Serious ***injury*** or ***death*** may result without this transfer switch.

Starting the generator in the "AUTO" mode is similar to starting the generator in the "MANUAL" mode, with a few exceptions.

## CAUTION:



When running the generator in the **AUTO** mode, remember the generator can start up at any time without warning. **NEVER** attempt to perform any maintenance when the generator is in the auto mode.

If the generator is equipped with an MPEC, when starting generator in Auto mode use the "Manual Start-up" procedure except where noted (see below).

- Perform steps 1 through 6 (page 47-48) as outlined in the manual starting procedure.
- Place the Off/Manual/Auto switch (Figure 62) in the **AUTO** position (up). Observe that the engine begins to crank.

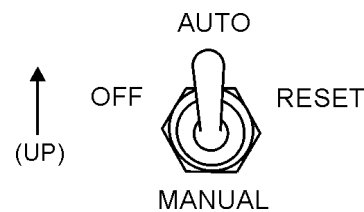


Figure 62. Off/Manual/Auto Switch (Manual)

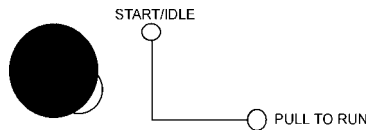
- Continue to follow the steps outline in the manual start-up procedure (start at step 9, page 48).

# DCA-150SSKII — GENERATOR SHUT-DOWN PROCEDURE

## Engine Shutdown

To shut-down the generator use the following procedure:

1. Place both the **MAIN**, **GFCI** and **LOAD** circuit breakers to the "OFF position"
2. Turn the Engine Throttle Handle (Figure 63) to the left and push in to set the speed to 'low'.



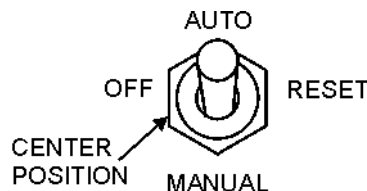
**Figure 63. Engine Throttle Lever (low)**

3. If the generator is equipped with an idle control switch, set the switch to "OFF" position. (Figure 64)



**Figure 64. Idle Control Switch (OFF)**

4. Let the engine cool by running it for 3-5 minutes with no load applied.
5. Place the Off/Manual/Auto Switch (Figure 65) in the "OFF/RESET" position.



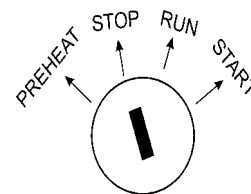
**Figure 65. Off/Manual/Auto Switch (OFF)**

6. Verify that the "Engine Running" status LED (Figure 66) on the Microprocessor Engine Control Module (MPEC) display is "OFF" (not lit).



**Figure 66. MPEC Engine Running Status LED (OFF)**

7. If the generator is equipped with an ignition switch, (Figure 67) turn the key to the left to the "OFF" positionturn off the engine.



**Figure 67. Off/Manual Auto Switch (OFF)**

8. Remove the load from the UNVO terminal strip (Figure 14 - page 33).

## General Inspection

Prior to each use, the generating set should be cleaned and inspected for deficiencies. Check for loose, missing or damaged nuts, bolts or other fasteners. Also check for fuel or oil leaks.

**Engine Side, Fuel, Oil and Coolant** (Refer to the Engine Instruction Manual)

## Air Cleaner

Every 50 hours: Remove air cleaner element and clean heavy duty paper element with kerosene, or foam element with liquid detergent and hot water. Wrap foam element in a cloth and squeeze dry. For heavy duty paper element, wipe excess kerosene with towel.

## Fuel Addition

Add diesel fuel (the grade may vary according to season and locations). Always pour through the mesh filter.

## Removing Water from the Tank

After prolonged use, water and other impurities accumulate in the bottom of the tank. Occasionally remove the drain cock and drain the contents. During cold weather, the greater the empty volume inside the tank, the easier it is for water to condense. This can be reduced by always keeping the tank as full as possible.

## Air Removal

If air enters the fuel injection system of a diesel engine, starting becomes impossible. After running out of fuel, or after disassembling the fuel system, bleed the system according to the following procedure.

To restart after running out of fuel, turn the key switch to the "START" position for 15-30 seconds. Try again, if needed. This unit is equipped with an automatic air bleeding system.

## Service Daily

If engine is operating in very dusty and dry grass conditions, a clogged air cleaner will result in high fuel consumption, loss of power and excessive carbon buildup in the combustion chamber.

## Cleaning the Fuel Strainer

Clean the fuel strainer if it contains dust or water. Remove dust or water in the strainer cap and wash it in diesel. Securely fasten the fuel strainer cap so that fuel will not leak. Check the fuel strainer every 200 hours of operation or once a month.

## Check Oil Level

Check the crankcase oil level prior to each use, or when the fuel tank is filled. Insufficient oil may cause severe damage to the engine. Make sure the generator is level. The oil level must be between the two notches on the dipstick as shown in Figure 39 on page 43.

## Generator Storage

For storage of the generator for over 30 days, the following is required:

- Drain the fuel tank completely.
- Run the engine until the fuel completely consumed.
- Completely drain the oil from the crankcase and refill with fresh oil.
- Stop the engine at the compression point.
- Clean all external parts of the generator with a cloth.
- Cover the generating set and store in a clean, dry place.

**TABLE 16.**

| <b>INSPECTION / MAINTENANCE</b> |                                                   | 10 Hrs<br>DAILY | 250 Hrs | 500 Hrs | 1000 Hrs |
|---------------------------------|---------------------------------------------------|-----------------|---------|---------|----------|
| <b>ENGINE</b>                   | Check Engine Fluid Levels                         | X               |         |         |          |
|                                 | Check Air Cleaner                                 | X               |         |         |          |
|                                 | Check Battery Acid Level                          | X               |         |         |          |
|                                 | Check Fan Belt Condition                          | X               |         |         |          |
|                                 | Check for Leaks                                   | X               |         |         |          |
|                                 | Check for Loosening of Parts                      | X               |         |         |          |
|                                 | Replace Engine Oil and Filter * <sup>1</sup>      |                 | X       |         |          |
|                                 | Clean Air Filter                                  |                 | X       |         |          |
|                                 | Drain Bottom of Fuel Tank                         |                 | X       |         |          |
|                                 | Clean Unit, Inside and Outside                    |                 | X       |         |          |
|                                 | Change Fuel Filter * <sup>2</sup>                 |                 |         | X       |          |
|                                 | Clean Radiator and Check Coolant Protection Level |                 |         | X       |          |
|                                 | Replace Air Filter Element                        |                 |         |         | X        |
|                                 | Change Corrosion Resistor                         |                 |         |         | X        |
|                                 | Check all Hoses and Clamps                        |                 |         |         | X        |
| Clean Inside of Fuel Tank       |                                                   |                 |         | X       |          |
| <b>GENERATOR</b>                | Measure Insulation Resistance Over 3M ohms        |                 | X       |         |          |

\*<sup>1</sup> Replace engine oil and filter at 100 hours, first time only.

\*<sup>2</sup> Replace fuel filter at 250 Hours, first time only.

# DCA-150SSKII — TROUBLESHOOTING (ENGINE)

Practically all breakdowns can be prevented by proper handling and maintenance inspections, but in the event of a breakdown, use the tables shown for

diagnosis based on the Engine Troubleshooting (Table 17). If the problem cannot be remedied, consult our company's business office or service plant.

**TABLE 17. ENGINE TROUBLESHOOTING**

| SYMPTOM                     | POSSIBLE PROBLEM                                                     | SOLUTION                                                                      |
|-----------------------------|----------------------------------------------------------------------|-------------------------------------------------------------------------------|
| Engine does not start.      | No fuel?                                                             | Replenish fuel.                                                               |
|                             | Air in the fuel system?                                              | Bleed system.                                                                 |
|                             | Water in the fuel system?                                            | Remove water from fuel tank.                                                  |
|                             | Fuel pipe clogged?                                                   | Clean fuel pipe.                                                              |
|                             | Fuel filter clogged?                                                 | Clean or change fuel filter.                                                  |
|                             | Excessively high viscosity of fuel or engine oil at low temperature? | Use the specified fuel or engine oil.                                         |
|                             | Fuel with low cetane number?                                         | Use the specified fuel.                                                       |
|                             | Fuel leak due to loose injection pipe retaining nut?                 | Tighten nut.                                                                  |
|                             | Incorrect injection timing?                                          | Adjust.                                                                       |
|                             | Fuel cam shaft worn?                                                 | Replace.                                                                      |
|                             | Injection nozzle clogged?                                            | Clean injection nozzle.                                                       |
|                             | Injection pump malfunctioning?                                       | Repair or replace.                                                            |
|                             | Seizure of crankshaft, camshaft, piston, cylinder liner or bearing?  | Repair or replace.                                                            |
|                             | Compression leak from cylinder?                                      | Replace head gasket, tighten cylinder head bolt, glow plug and nozzle holder. |
|                             | Improper valve timing?                                               | Correct or replace timing gear.                                               |
| Piston ring and liner worn? | Replace.                                                             |                                                                               |
| Excessive valve clearance?  | Adjust.                                                              |                                                                               |
| Starter does not run.       | Starter malfunctioning?                                              | Repair or replace.                                                            |
|                             | Wiring disconnected?                                                 | Connect wiring.                                                               |

## TABLE 17. ENGINE TROUBLESHOOTING (CONTINUED)

| SYMPTOM                                            | POSSIBLE PROBLEM                                     | SOLUTION                                                                      |
|----------------------------------------------------|------------------------------------------------------|-------------------------------------------------------------------------------|
| Engine revolution is not smooth.                   | Fuel filter clogged or dirty?                        | Clean or change.                                                              |
|                                                    | Air cleaner clogged?                                 | Clean or change.                                                              |
|                                                    | Fuel leak due to loose injection pipe retaining nut? | Tighten nut.                                                                  |
|                                                    | Injection pump malfunctioning?                       | Repair or replace.                                                            |
|                                                    | Incorrect nozzle opening pressure?                   | Adjust.                                                                       |
|                                                    | Injection nozzle stuck or clogged?                   | Repair or replace.                                                            |
|                                                    | Fuel over flow pipe clogged?                         | Clean.                                                                        |
|                                                    | Governor malfunctioning?                             | Repair.                                                                       |
| Either white or blue exhaust gas is observed.      | Excessive engine oil?                                | Reduce to the specified level.                                                |
|                                                    | Piston ring and liner worn or stuck?                 | Repair or replace.                                                            |
|                                                    | Incorrect injection timing?                          | Adjust.                                                                       |
|                                                    | Deficient compression?                               | Adjust top clearance.                                                         |
| Either black or dark gray exhaust gas is observed. | Overload?                                            | Lessen the load.                                                              |
|                                                    | Low grade fuel used?                                 | Use the specified fuel.                                                       |
|                                                    | Fuel filter clogged?                                 | Clean or change.                                                              |
|                                                    | Air cleaner clogged?                                 | Clean or change.                                                              |
|                                                    | Deficient nozzle injection?                          | Repair or replace the nozzle.                                                 |
| Deficient output.                                  | Incorrect injection timing?                          | Adjust.                                                                       |
|                                                    | Engine's moving parts seem to be seizing?            | Repair or replace.                                                            |
|                                                    | Uneven fuel injection?                               | Repair or replace the injection pump.                                         |
|                                                    | Deficient nozzle injection?                          | Repair or replace the nozzle.                                                 |
|                                                    | Compression leak?                                    | Replace head gasket, tighten cylinder head bolt, glow plug and nozzle holder. |

# DCA-150SSKII —TROUBLESHOOTING (GENERATOR/ENGINE)

Practically all breakdowns can be prevented by proper handling and maintenance inspections, but in the event of a breakdown, use the tables shown for

diagnosis based on the Engine and Radiator Troubleshooting (Table 18) and the MPEC Troubleshooting (Table 19). If the problem cannot be remedied, consult our company's business office or service plant.

**TABLE 18. ENGINE & GENERATOR TROUBLESHOOTING**

| SYMPTOM                                                               | POSSIBLE PROBLEM                                       | SOLUTION                             |
|-----------------------------------------------------------------------|--------------------------------------------------------|--------------------------------------|
| Engine fails to start and starter does not rotated.                   | Dead battery?                                          | Replace battery.                     |
|                                                                       | Defective starter switch?                              | Replace switch.                      |
|                                                                       | Fuse F5 burned out?                                    | Replace fuse.                        |
| Engine fails to start and starter rotates.                            | Broken pre-heat circuit?                               | Check pre-heat circuit.              |
|                                                                       | No fuel?                                               | Add fuel.                            |
|                                                                       | Defective wiring?                                      | Check wiring.                        |
| Engine starts and remains at low speed.                               | Clogged fuel strainer?                                 | Clean or replace.                    |
|                                                                       | Clogged air cleaner?                                   | Clean or replace.                    |
|                                                                       | Disconnected wiring?                                   | Check and repair wiring.             |
| Engine speed rises and no voltage is present n AC power source.       | No voltage present in AC power source?                 | Replace rectifier (RE1).             |
|                                                                       | Defective rotor?                                       | Replace rotor.                       |
|                                                                       | Defective voltmeter?                                   | Replace voltmeter.                   |
|                                                                       | Disconnected wiring?                                   | Check and repair wiring.             |
|                                                                       | Layer short-circuit in armature winding?               | Replace armature.                    |
| Engine speed rises and AC power voltage is too low or cannot be used. | Defective circuit breaker (protector)?                 | Replace circuit breaker (protector). |
|                                                                       | Layer short-circuit, broken wires in armature winding? | Repair or replace armature.          |
| Engine speed rises and battery discharges too soon.                   | Defective engine regulator?                            | Replace regulator.                   |
|                                                                       | Defective wiring?                                      | Repair or replace wiring.            |
| Engine speed rises and engine seems overloaded.                       | Defective alternator?                                  | Repair or replace alternator.        |
|                                                                       | Damaged alternator bearing?                            | Replace alternator bearings.         |



## TABLE 19. MPEC TROUBLESHOOTING

| Sympton                              | Possible Cause                                | Solution                               |
|--------------------------------------|-----------------------------------------------|----------------------------------------|
| Low oil pressure light is on.        | Low oil level?                                | Fill oil level.                        |
|                                      | Oil pressure sending unit failure?            | Replace oil pressure sending unit.     |
|                                      | Time delay malfuntion in MPEC?                | Refer to dealer.                       |
|                                      | Wire shorted?                                 | Inspect/repair wire.                   |
| Low coolant level light is on.       | Low coolant level?                            | Fill coolant level.                    |
|                                      | Sending unit failure?                         | Replace sending unit.                  |
|                                      | Low battery voltage?                          | Replace/charge battery.                |
| High coolant temperture light is on. | Fan belt tension incorrect?                   | Tighten/replace fan belt.              |
|                                      | Air flow is not circulation through radiator? | Clean/repair radiator grill.           |
|                                      | Doors open?                                   | Close doors.                           |
|                                      | Exhaust leaking?                              | Replace/repair gaskets or faulty part. |
|                                      | Generator being overloaded?                   | Check/reduce load.                     |
|                                      | Thermostat failure?                           | Replace thermostat.                    |
|                                      | Air intake blocked?                           | Clear all air intakes.                 |
|                                      | Temperature switch failure?                   | Replace temperature switch.            |
| Overcrank light is on.               | No or low Fuel?                               | Fill fuel level.                       |
|                                      | MPEC needs to be calibrated?                  | Refer to dealer.                       |
| Overspeed light is on.               | RPM engine speed too high?                    | Adjust RPM.                            |
|                                      | Governor actuator needs to be adjusted?       | Adjust governor actuator.              |
|                                      | Governor controller needs to be adjusted?     | Adjust governor controller.            |
|                                      | MPEC needs to be calibrated?                  | Refer to dealer.                       |
| Loss of MPU light(s) or on.          | Magnetic pick up out of adjustment?           | Adjust magnetic pick up.               |
|                                      | Magnetic pick up dirty?                       | Clean magnetic pick up.                |

# EXPLANATION OF CODE IN REMARKS COLUMN

How to read the marks and remarks used in this parts book.

## Items Found In the “Remarks” Column

Serial Numbers-Where indicated, this indicates a serial number range (inclusive) where a particular part is used.

Model Number-Where indicated, this shows that the corresponding part is utilized only with this specific model number or model number variant.

## Items Found In the “Items Number” Column

All parts with same symbol in the number column, \*, #, +, %, or ■, belong to the same assembly or kit.

### NOTE

If more than one of the same reference number is listed, the last one listed indicates newest (or latest) part available.

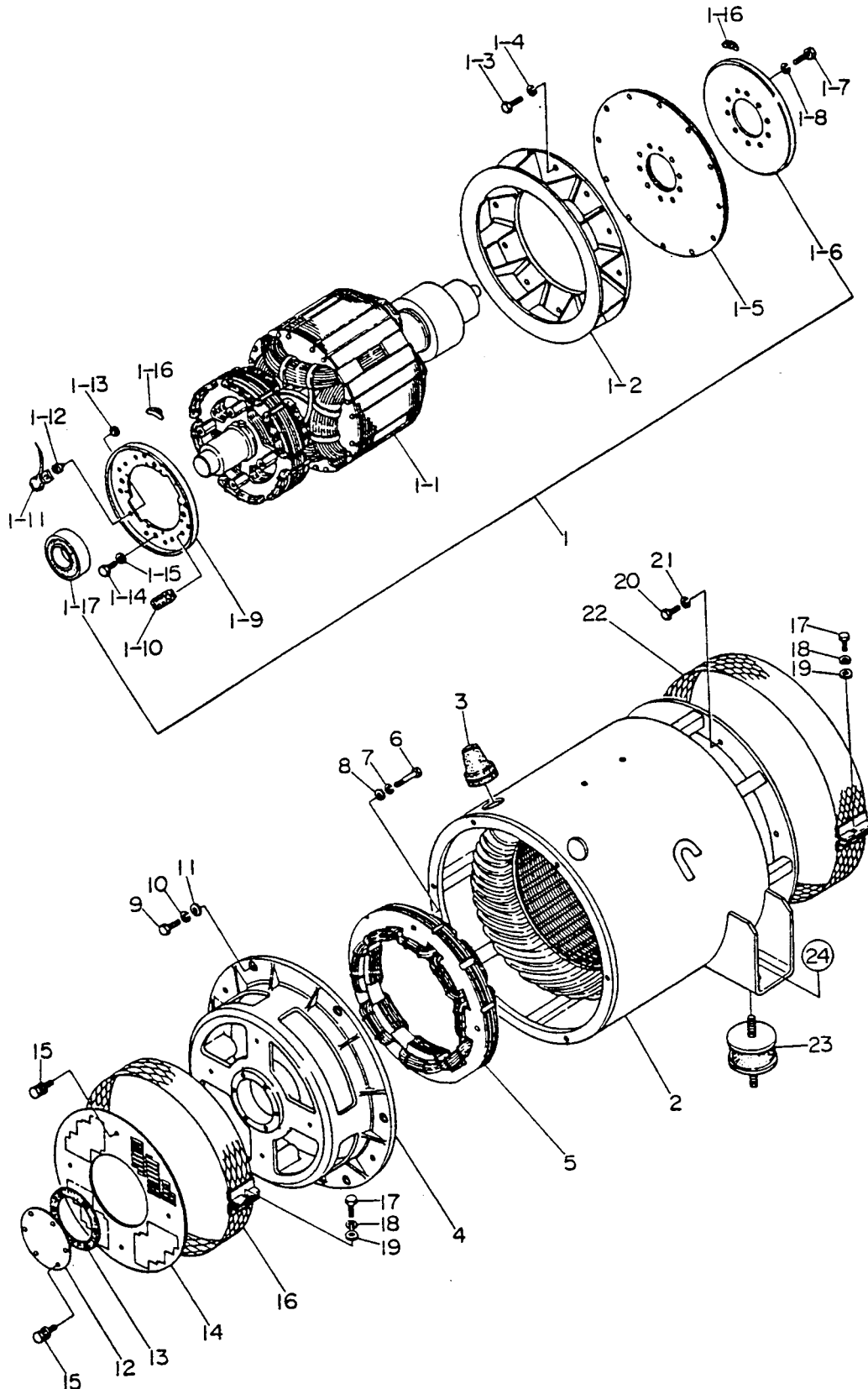
## DCA-150SSKII W/KOMATSU S6D108E-2 ENGINE

### *1 to 5 Units*

| Qty. | P/N        | Description                       |
|------|------------|-----------------------------------|
| 1    | 0601807346 | CIRCUIT BREAKER                   |
| 1    | 0601840073 | RHEOSTAT (VOLTAGE REGULAR)        |
| 1    | 0601840121 | KNOB FOR RHEOSTAT                 |
| 2    | 0601812598 | RECEPTACLE 530 EM                 |
| 1    | 0601812565 | RECTIFIER                         |
| 3    | 0602041147 | OIL FILTER CARTRIDGE              |
| 1    | 0810105004 | FUEL TANK CAP                     |
| 3    | 0602042146 | FUEL FILTER CARTDIDGE             |
| 3    | 0602046338 | ELEMENT, AIR INNER                |
| 1    | 6008155390 | STARTER SWITCH                    |
| 3    | 615        | KEY, IGNITION                     |
| 1    | 0602123087 | WATER TEMPERATURE GAUGE           |
| 1    | 0602122037 | OIL PRESSURE GAUGE                |
| 1    | 0602122251 | OIL SHUT-DOWN SENDING UNIT        |
| 1    | 0602123250 | WATER TEMPERATURE SENDING UNIT    |
| 3    | 0601822034 | RECEPTACLE, CS 6369 250V, 50 AMPS |

# DCA-150SSKII—GENERATOR ASSY.

GENERATOR ASSY.



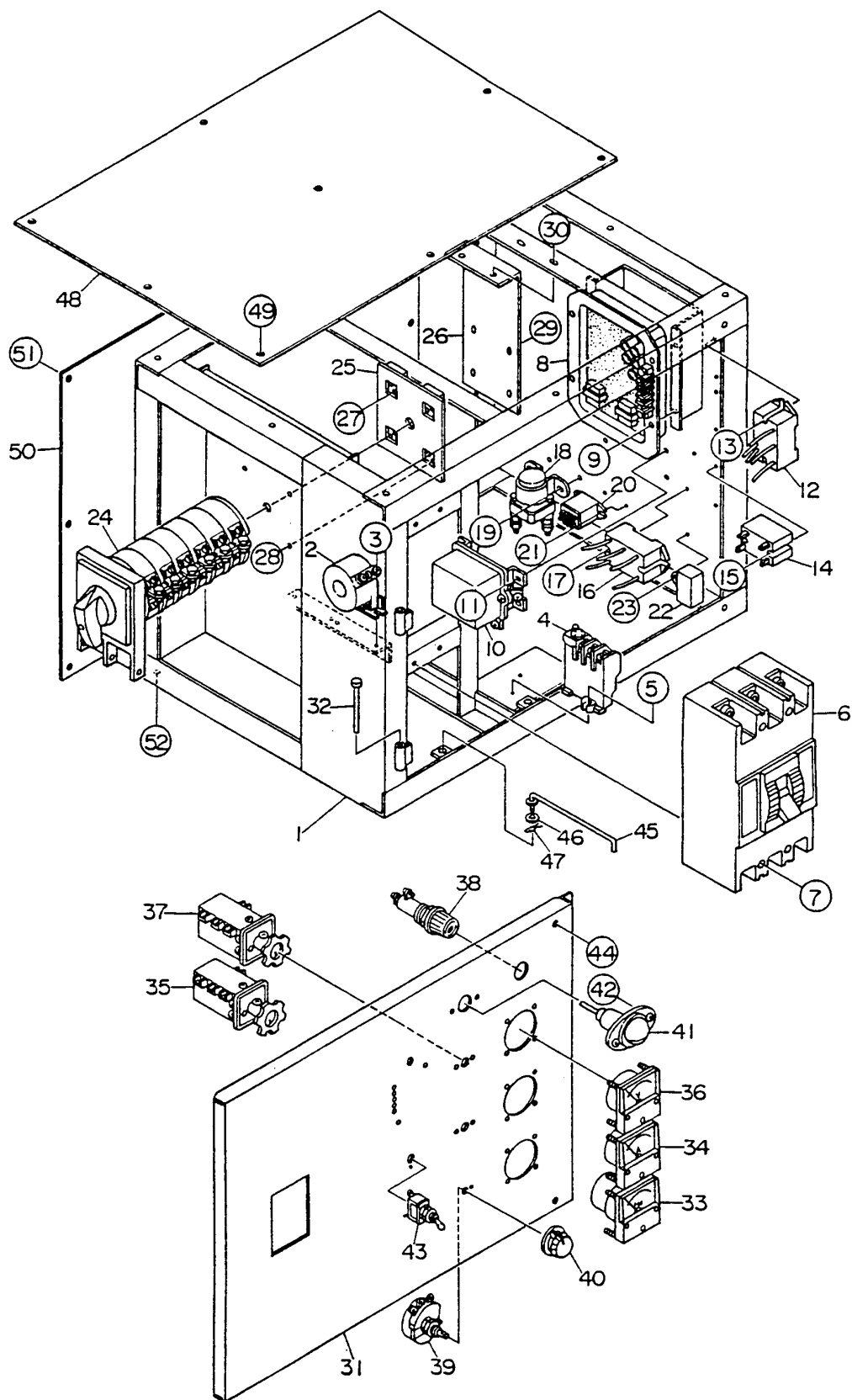
# DCA-150SSKII— GENERATOR ASSY.

## GENERATOR ASSY.

| <u>NO.</u> | <u>PART NO.</u> | <u>PART NAME</u>     | <u>QTY.</u> | <u>REMARKS</u>      |
|------------|-----------------|----------------------|-------------|---------------------|
| 1          | 8151000312      | ROTOR ASSY .....     | 1           | INCLUDE ITEMS W/*   |
| 1-1*       |                 | FIELD ASSY           | 1           |                     |
| 1-2*       | 8131070013      | FAN                  | 1           |                     |
| 1-3*       | 012010030       | HEX HEAD BOLT .....  | 12          | REPLACES 0012110030 |
| 1-4*       | 030210250       | LOCK WASHER .....    | 12          | REPLACES 0042510000 |
| 1-5*       | 8131611004      | COUPLING DISK        | 8           |                     |
| 1-6*       | 8131015003      | BALANCING PLATE      | 1           |                     |
| 1-7*       | 0012112035      | HEX HEAD BOLT        | 10          |                     |
| 1-8*       | 0042612000      | LOCK WASHER          | 10          |                     |
| 1-9*       | 8101026013      | SET PLATE RECTIFIER  | 1           |                     |
| 1-10*      | 0601821349      | RECTIFIER .....      | 2           | PT3610              |
| 1-11*      | 0601822601      | SURGE ABSORBER ..... | 1           | ERZ -M14JK621A      |
| 1-12*      | 8001020004      | INSULATOR WASHER     | 1           |                     |
| 1-13*      | 8001020504      | INSULATOR WASHER     | 1           |                     |
| 1-14*      | 0010110020      | HEX HEAD BOLT        | 4           |                     |
| 1-15*      | 0040010000      | LOCK WASHER          | 4           |                     |
| 1-16*      | 0601000209      | BALANCING WEIGHT KIT | 1           |                     |
| 1-17*      | 0071906312      | BEARING              | 1           |                     |
| 2          | 8151340213      | STATOR ASSY          | 1           |                     |
| 3          | 0845041804      | GROMMET              | 2           |                     |
| 4          | 8131315102      | END BRACKET          | 1           |                     |
| 5          | 8101350013      | FIELD ASSY, EXCITER  | 1           |                     |
| 6          | 0012110060      | HEX HEAD BOLT        | 4           |                     |
| 7          | 0042610000      | LOCK WASHER          | 4           |                     |
| 8          | 031110160       | PLAIN WASHER .....   | 4           | REPLACES 0041210000 |
| 9          | 0010112035      | HEX HEAD BOLT        | 6           |                     |
| 10         | 0040012000      | LOCK WASHER          | 6           |                     |
| 11         | 031112230       | PLAIN WASHER .....   | 6           | REPLACES 0041212000 |
| 12         | 8131310114      | COVER, BEARING       | 1           |                     |
| 13         | 8131312214      | GASKET, BEARING      | 1           |                     |
| 14         | 8101331003      | COVER, END BRACKET   | 1           |                     |
| 15         | 0105050616      | HEX HEAD BOLT .....  | 10          | REPLACES 0017106012 |
| 16         | 8101333003      | COVER, END BRACKET   | 1           |                     |
| 17         | 0010106030      | HEX HEAD BOLT        | 2           |                     |
| 18         | 0040006000      | LOCK WASHER          | 2           |                     |
| 19         | 952404470       | PLAIN WASHER .....   | 2           | REPLACES 0041206000 |
| 20         | 012010030       | HEX HEAD BOLT .....  | 12          | REPLACES 0012110030 |
| 21         | 030210250       | LOCK WASHER .....    | 12          | REPLACES 0042510000 |
| 22         | 8131332003      | COVER, FAN           | 1           |                     |
| 23         | 0605000063      | RUBBER SUSPENSION    | 2           |                     |
| 24         | 0030016000      | HEX NUT              | 4           |                     |
|            | 0040016000      | LOCK WASHER          | 4           |                     |

# DCA-150SSKII — CONTROL BOX ASSY.

CONTROL BOX ASSY.



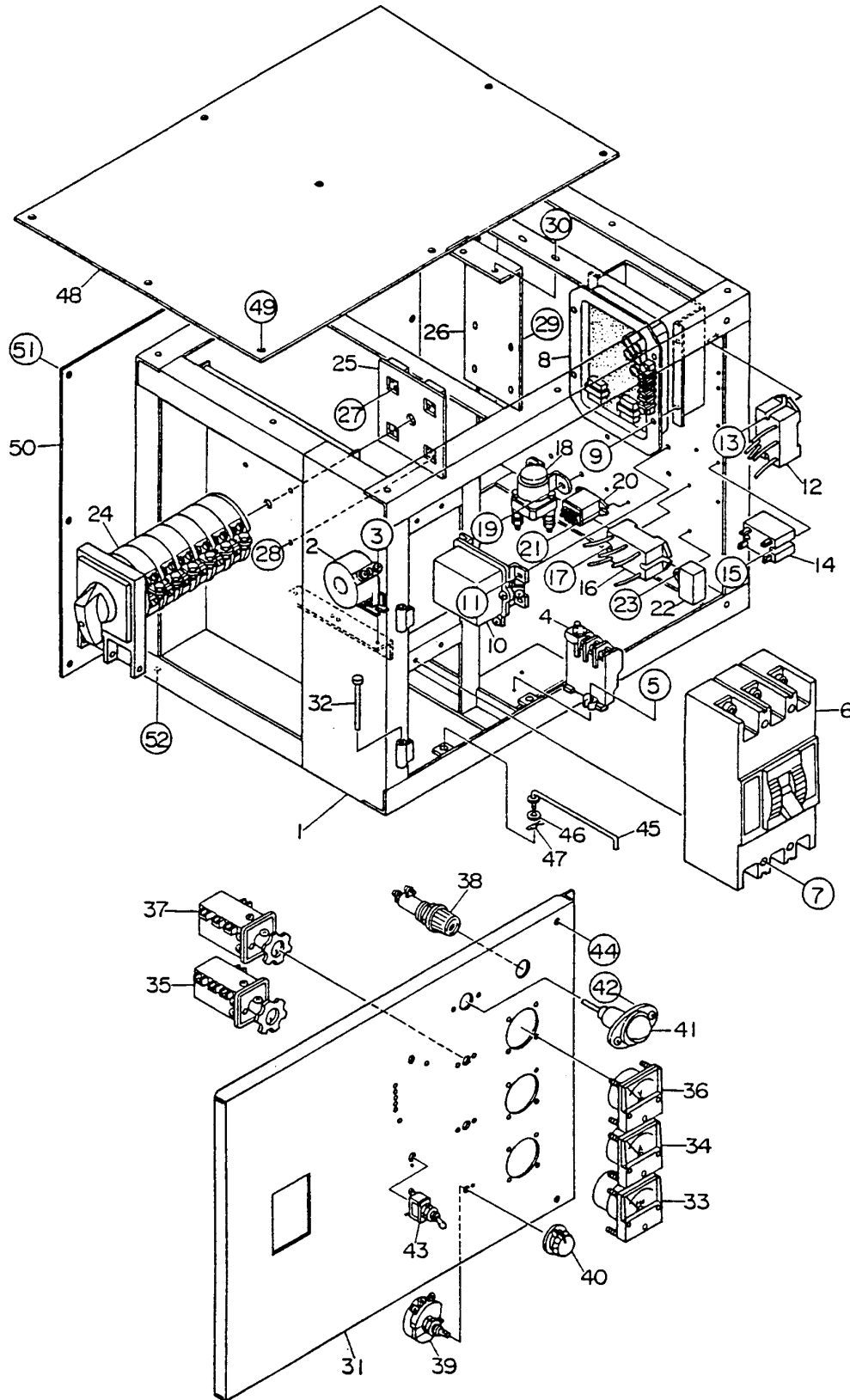
# DCA-150SSKII — CONTROL BOX ASSY.

## CONTROL BOX ASSY.

| <u>NO.</u> | <u>PART NO.</u> | <u>PART NAME</u>              | <u>QTY.</u> | <u>REMARKS</u>                |
|------------|-----------------|-------------------------------|-------------|-------------------------------|
| 1          | C0214001202     | CONTROL BOX                   | 1           |                               |
| 2          | 0601801148      | CURRENT TRANSFORMER .....     | 2 .....     | CT-3.5MR300/SA                |
| 3          | 0027104010      | MACHINE SCREW                 | 4           |                               |
| 4          | 0601820851      | OVER CURRENT RELAY .....      | 1 .....     | TH-K20                        |
| 5          | 0027104016      | MACHINE SCREW                 | 2           |                               |
| 6          | 0601807346      | CIRCUIT BREAKER .....         | 1 .....     | XE400NS 400A                  |
| 7          | 0021006040      | MACHINE SCREW                 | 4           |                               |
|            | 0440006000      | LOCK WASHER                   | 4           |                               |
|            | 952404470       | PLAIN WASHER .....            | 4 .....     | REPLACES 0041206000           |
| 8          | 0601820671      | AUTO. VOLTAGE REGULATOR ..... | 1 .....     | NTA-5A-2T                     |
| 9          | 0017105016      | HEX HEAD BOLT                 | 4           |                               |
| 10         | 6008151252      | EMERGENCY RELAY .....         | 1 .....     | REPLACES 0602200446           |
| 11         | 0017106016      | HEX HEAD BOLT                 | 4           |                               |
| 12         | 0601823860      | RELAY UNIT .....              | 2 .....     | MSA9013                       |
| 13         | 0027104010      | MACHINE SCREW                 | 4           |                               |
| 14         | 0601823706      | RELAY .....                   | 1 .....     | HE1A DC24V                    |
| 15         | 0027104010      | MACHINE SCREW                 | 2           |                               |
| 16         | 0601823861      | STOP UNIT .....               | 1 .....     | MSA9014                       |
| 17         | 0027104010      | MACHINE SCREW                 | 2           |                               |
| 18         | 6008152970      | GLOW RELAY .....              | 1 .....     | REPLACES 0602201227           |
| 19         | 0017106016      | HEX HEAD BOLT                 | 2           |                               |
| 20         | 0601824542      | RELAY .....                   | 1 .....     | HH62S DC24V                   |
| 21         | 0227103010      | MACHINE SCREW                 | 2           |                               |
| 22         | 0602201911      | UNIT, BATTERY SENSOR .....    | 1 .....     | C7038A-00-00                  |
| 23         | 0017104016      | MACHINE SCREW                 | 1           |                               |
| 24         | M3923100014     | SELECTOR SWITCH .....         | 1 .....     | VY200/S1; REPLACES 8150153114 |
| 25         | 8151839504      | SET PLATE, SELEC. SWITCH      | 1           |                               |
| 26         | 8151839714      | BRACKET, SELECTOR SWITCH      | 1           |                               |
| 27         | 0021304020      | MACHINE SCREW                 | 4           |                               |
| 28         | 0021306020      | MACHINE SCREW                 | 4           |                               |
| 29         | 0021306020      | MACHINE SCREW                 | 4           |                               |
| 30         | 011008020       | HEX HEAD BOLT .....           | 2 .....     | REPLACES 0017108020           |
|            | 020108060       | HEX NUT .....                 | 2 .....     | REPLACES 0207008000           |

# DCA-150SSKII—CONTROL BOX ASSY.

CONTROL BOX ASSY.





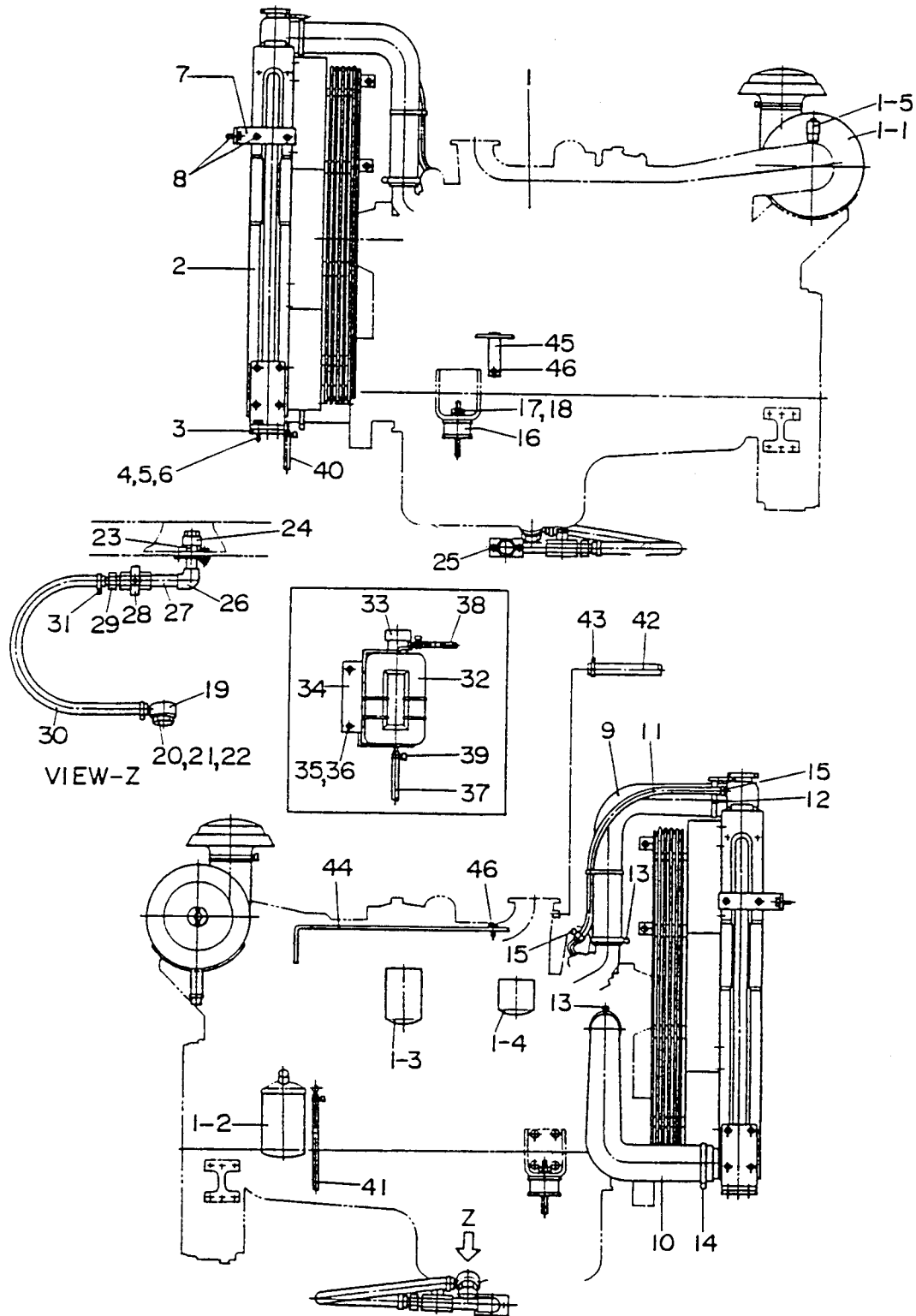
# DCA-150SSKII— CONTROL BOX ASSY.

## CONTROL BOX ASSY. (CONT.)

| <u>NO.</u> | <u>PART NO.</u> | <u>PART NAME</u>                   | <u>QTY.</u> | <u>REMARKS</u>          |
|------------|-----------------|------------------------------------|-------------|-------------------------|
| 31         | C0224001403     | CONTROL PANEL                      | 1           |                         |
| 32         | 0605011211      | PIN                                | 2           |                         |
| 33         | 0601800487      | FREQUENCY METER .....              | 1           | TRC- 65CF 220V 45 ~65HZ |
| 34         | 0601808901      | AC AMMETER .....                   | 1           | TRS- 65C0 ~300A0 ~600A  |
| 35         | 0601801040      | CHANGE.-OVER SWITCH., AMMETER .... | 1           | SL- 2AS                 |
| 36         | 0601800298      | AC VOLTMETER .....                 | 1           | TRR - 65C0 ~600V        |
| 37         | 0601801041      | CHANGE.- OVER SWITCH., VOLTMETER.  | 1           | SL - 2VS                |
| 38         | 0601810072      | PILOT LAMP .....                   | 1           | LP - 132DC 220V         |
|            | 0601810261      | BULB .....                         | 1           | CT - 13W                |
| 39         | 0601840073      | RHEOSTAT (VOLTAGE REGULATOR) ..... | 1           | RA20A2SE102BJ 2W 1K OHM |
| 40         | 0601840121      | KNOB                               | 1           |                         |
| 41         | 0601810161      | PANEL LIGHT .....                  | 1           | V325070                 |
|            | 0601810214      | BULB                               | 1           |                         |
| 42         | 0030004000      | HEX NUT .....                      | 2           | REPLACES 0207004000     |
| 43         | 0601830710      | SWITCH, PANEL LIGHT                | 1           |                         |
| 44         | C9221100004     | HEX HEAD BOLT                      | 2           |                         |
|            | 0040008000      | LOCK WASHER                        | 2           |                         |
|            | 031108160       | PLAIN WASHER .....                 | 2           | REPLACES 0041208000     |
|            | 0080100007      | SNAP RING                          | 2           |                         |
| 45         | 3871824004      | STOPPER, CONTROL PANEL             | 1           |                         |
| 46         | 952404470       | PLAIN WASHER .....                 | 1           | REPLACES 0041206000     |
| 47         | 505015300       | SNAP PIN .....                     | 1           | REPLACES 0605010502     |
| 48         | C0214500104     | COVER, CONTROL BOX                 | 1           |                         |
| 49         | 011008020       | HEX HEAD BOLT .....                | 8           | REPLACES 0017108020     |
| 50         | 8361827504      | PANEL, CONTROL BOX                 | 1           |                         |
| 51         | 011008020       | HEX HEAD BOLT .....                | 8           | REPLACES 0017108020     |
| 52         | 011008020       | HEX HEAD BOLT .....                | 4           | REPLACES 0017108020     |

# DCA-150SSKII— ENGINE & RADIATOR ASSY.

ENGINE & RADIATOR ASSY.



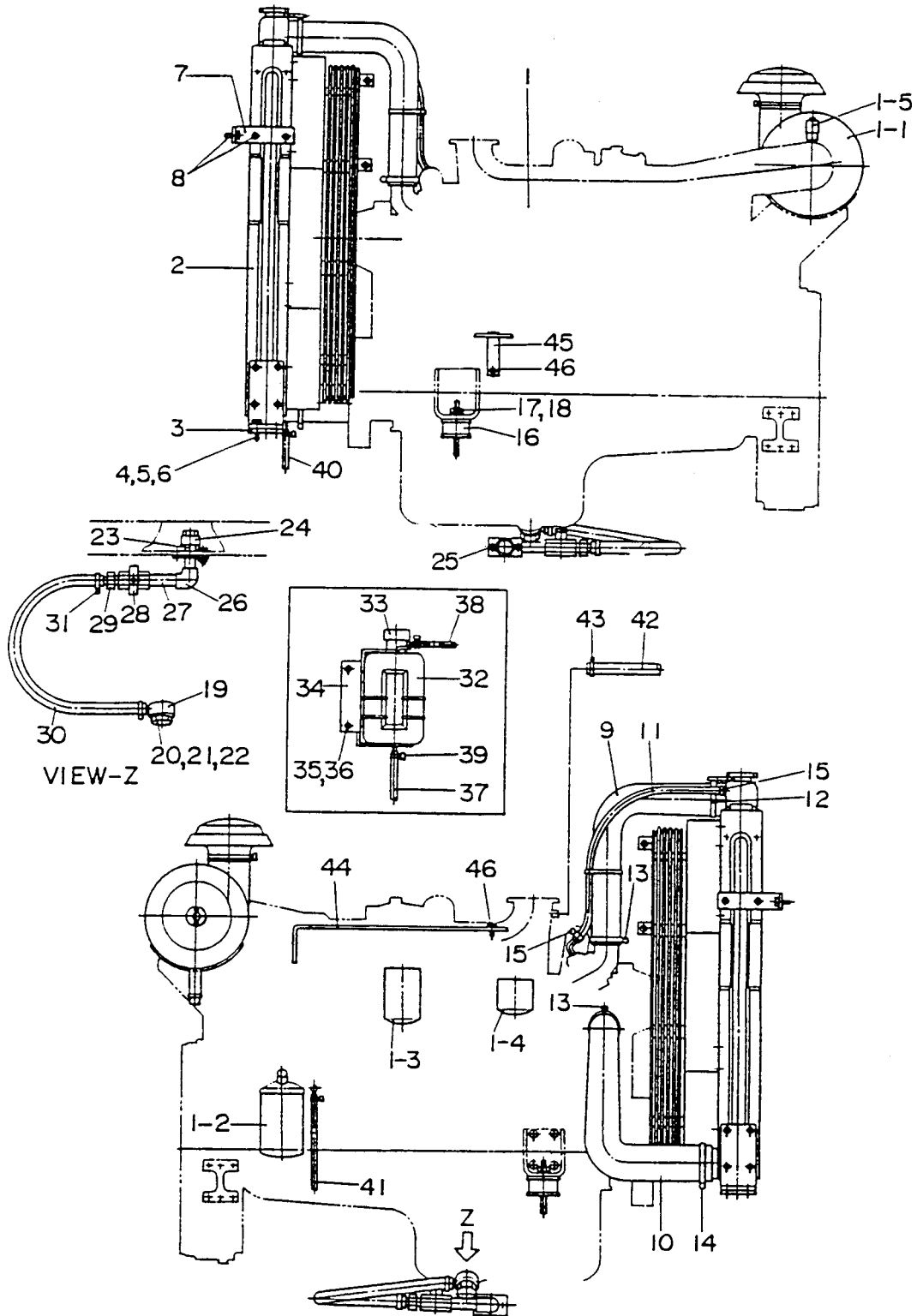
# DCA-150SSKII— ENGINE & RADIATOR ASSY.

## ENGINE & RADIATOR ASSY.

| <u>NO.</u> | <u>PART NO.</u> | <u>PART NAME</u>                        | <u>QTY.</u> | <u>REMARKS</u>                            |
|------------|-----------------|-----------------------------------------|-------------|-------------------------------------------|
| 1          | C0924200084     | ENGINE .....                            | 1 .....     | KOMATSU S6D 108E - 2<br>INCLUDE ITEMS W/* |
| 1-1*       | 6001816740      | ELEMENT, AIR CLEANER .....              | 1 .....     | REPLACES 0602046338                       |
| 1-2*       | 6136515121      | CARTRIDGE, OIL FILTER .....             | 1 .....     | REPLACES 0602041147                       |
| 1-3*       | 6003118293      | CARTRIDGE, FUEL FILTER .....            | 1 .....     | REPLACES 0602042146                       |
| 1-4*       | 6004111191      | CARTRIDGE., CORROSION<br>RESISTOR ..... | 1 .....     | REPLACES 0602045141                       |
| 1-5*       | 0602040678      | DUST SENSOR .....                       | 1 .....     | REX01 - 8126                              |
| 2          | 6151619350      | RADIATOR .....                          | 1 .....     | REPLACES 0602011866                       |
| 3          | 6151619340      | RUBBER SHEET .....                      | 2 .....     | REPLACES 0605000073                       |
| 4          | 00100120605     | HEX HEAD BOLT                           | 4           |                                           |
| 5          | 0030012000      | HEX NUT                                 | 8           |                                           |
| 6          | 031112230       | PLAIN WASHER .....                      | 8 .....     | REPLACES 0041212000                       |
| 7          | C0311100004     | BRACKET, RADIATOR                       | 2           |                                           |
| 8          | 0017110025      | HEX HEAD BOLT                           | 6           |                                           |
| 9          | 6221619320      | RADIATOR HOSE .....                     | 1 .....     | REPLACES 0602014543                       |
| 10         | 6221619330      | RADIATOR HOSE .....                     | 1 .....     | REPLACES 0602014425                       |
| 11         | 0726020971      | RADIATOR HOSE .....                     | 1 .....     | REPLACES 0602014544                       |
| 12         | 0728100909      | HOSE BAND .....                         | 1 .....     | REPLACES 0602014056                       |
| 13         | 0728100809      | HOSE BAND .....                         | 2 .....     | REPLACES 0602014067                       |
| 14         | 0728101029      | HOSE BAND .....                         | 1 .....     | REPLACES 0602014350                       |
| 15         | 0728100197      | HOSE BAND .....                         | 2 .....     | REPLACES 0602014058                       |
| 16         | 0605000060      | RUBBER SUSPENSION                       | 2           |                                           |
| 17         | 0030012000      | HEX NUT                                 | 4           |                                           |
| 18         | 0040012000      | LOCK WASHER                             | 4           |                                           |
| 19         | C9101000104     | DRAIN JOINT                             | 1           |                                           |
| 20         | 0802024004      | PACKING, OIL PAN SIDE                   | 1           |                                           |
| 21         | 0805008004      | PACKING                                 | 1           |                                           |
| 22         | 0802025104      | JOINT BOLT                              | 1           |                                           |
| 23         | C0321200004     | DRAIN JOINT                             | 1           |                                           |
| 24         | C0321300004     | DRAIN PLUG                              | 1           |                                           |
| 25         | 011208025       | HEX HEAD BOLT .....                     | 2 .....     | REPLACES 0017108025                       |
| 26         | 0130008000      | ELBOW JOINT, 3/4                        | 1           |                                           |
| 27         | 0134308100      | LONG NIPPLE                             | 1           |                                           |
| 28         | 0603325017      | VALVE .....                             | 1 .....     | BBS22020                                  |
| 29         | 0602022294      | HOSE JOINT                              | 1           |                                           |
| 30         | 0265800850      | DRAIN HOSE                              | 1           |                                           |

# DCA-150SSKII— ENGINE & RADIATOR ASSY.

ENGINE & RADIATOR ASSY.



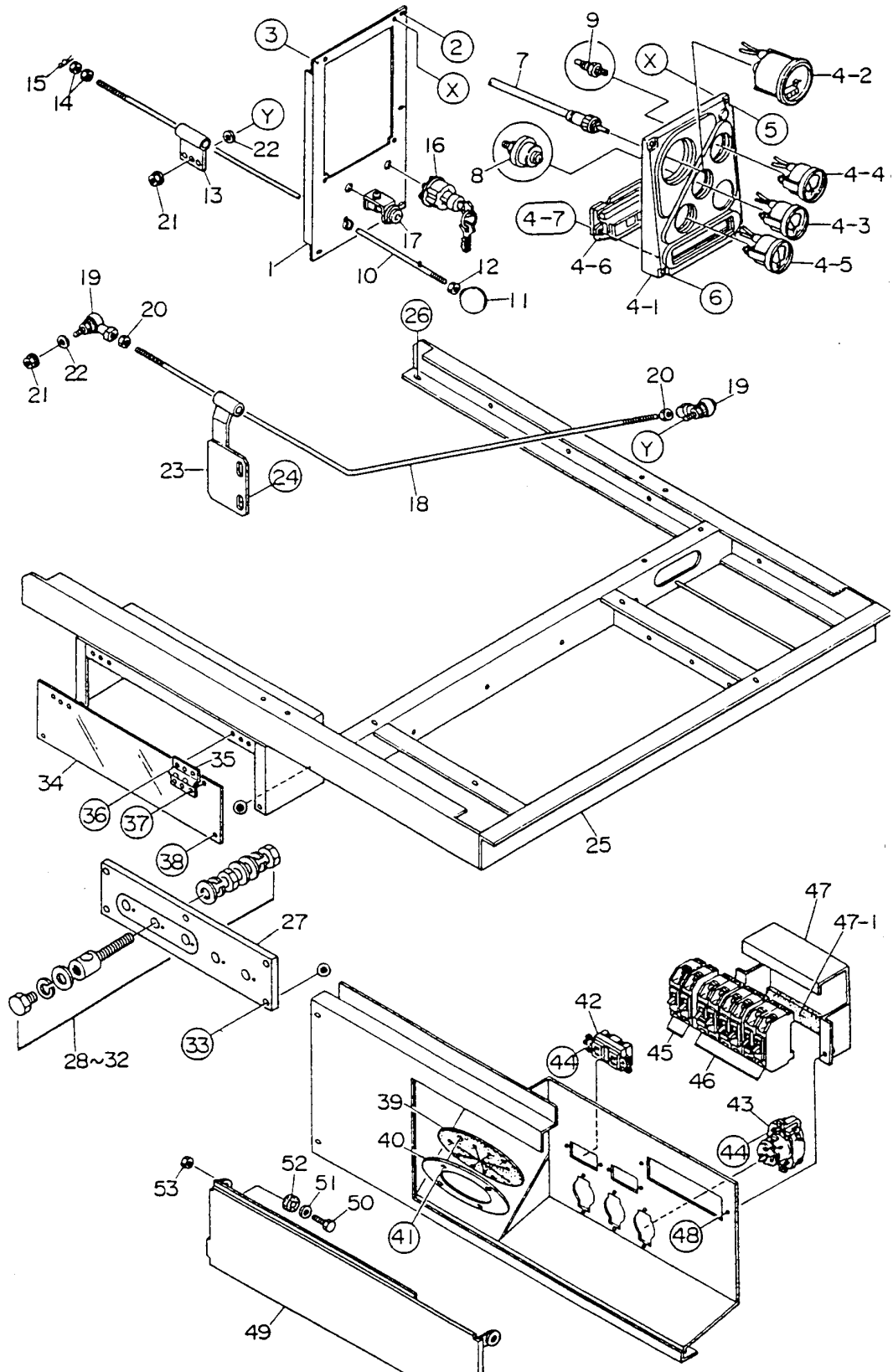
# DCA-150SSKII— ENGINE & RADIATOR ASSY.

## ENGINE & RADIATOR ASSY. (CONT)

| <u>NO.</u> | <u>PART NO.</u> | <u>PART NAME</u>        | <u>QTY.</u> | <u>REMARKS</u>      |
|------------|-----------------|-------------------------|-------------|---------------------|
| 31         | 0605515074      | HOSE BAND               | 2           |                     |
| 32         | 08020810030     | RESERVE TANK .....      | 1 .....     | REPLACES 0802081003 |
| 33         | 0802010900      | CAP, RESERVE TANK ..... | 1 .....     | REPLACES 0602010900 |
| 34         | 8302082103      | BRACKET, RESERVE TANK   | 1           |                     |
| 35         | 0021108020      | MACHINE SCREW           | 2           |                     |
| 36         | 020108060       | HEX NUT .....           | 2 .....     | REPLACES 0207008000 |
| 37         | 0199601200      | HOSE                    | 1           |                     |
| 38         | 0193601200      | HOSE                    | 1           |                     |
| 39         | 0605515013      | HOSE BAND               | 3           |                     |
| 40         | 0193600450      | HOSE                    | 1           |                     |
| 41         | 0193600800      | HOSE                    | 1           |                     |
| 42         | 0268200900      | HOSE                    | 1           |                     |
| 43         | 0605515132      | HOSE BAND               | 2           |                     |
| 44         | 8302256104      | CLAMPER ROD             | 1           |                     |
| 45         | 8152256104      | CLAMPER ROD             | 1           |                     |
| 46         | 012210020       | HEX HEAD BOLT .....     | 3 .....     | REPLACES 0017110020 |

# DCA-150SSKII — ENGINE OPERATING PANEL ASSY.

## ENGINE OPERATING PANEL ASSY.



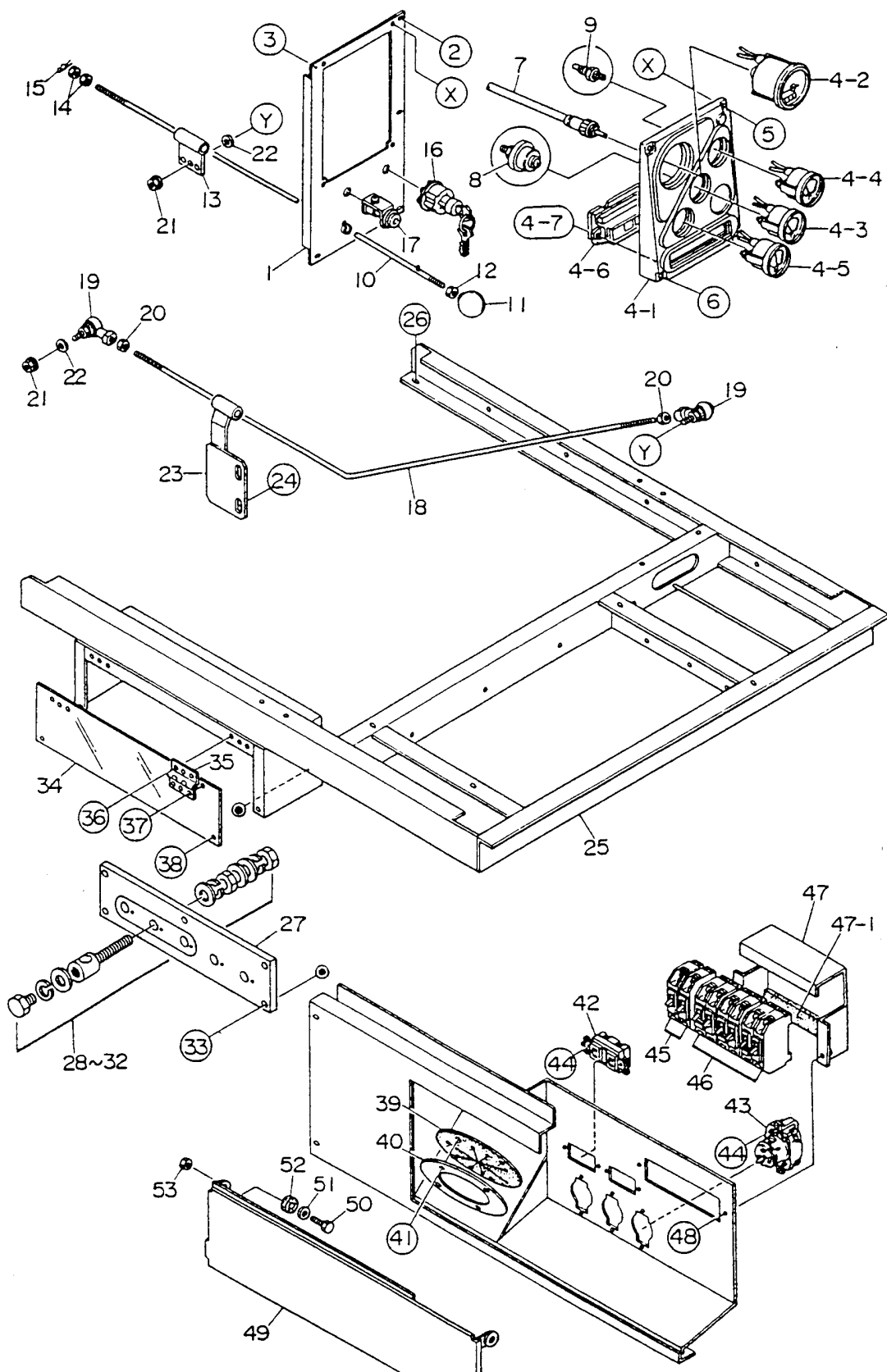
# DCA-150SSKII — ENGINE OPERATING PANEL ASSY.

## ENGINE OPERATING PANEL ASSY.

| <u>NO.</u> | <u>PART NO.</u> | <u>PART NAME</u>              | <u>QTY.</u> | <u>REMARKS</u>                          |
|------------|-----------------|-------------------------------|-------------|-----------------------------------------|
| 1          | C0352100803     | OPERATING PANEL               | 1           |                                         |
| 2          | 0017106016      | HEX HEAD BOLT                 | 4           |                                         |
| 3          | 0207006000      | HEX NUT                       | 1           |                                         |
| 4          | 0602120558      | METER PANEL ASS'Y .....       | 1 .....     | 1573708760; INCLUDE ITEM W/*            |
|            | 0602120701      | WIRING HARNESS                | 1           |                                         |
| 4-1*       | 0602129032      | METER PANEL .....             | 1 .....     | 0577764130                              |
| 4-2*       | 0602120069      | TACHOMETER .....              | 1 .....     | 1005694600                              |
| 4-3*       | 0602122037      | OIL PRESSURE GAUGE .....      | 1 .....     | 1005760430                              |
| 4-4*       | 0602123087      | WATER TEMP. GAUGE .....       | 1 .....     | 1005752740                              |
| 4-5*       | 0602121060      | CHARGING AMMETER .....        | 1 .....     | 1005730330                              |
| 4-6*       | 0602115031      | INDICATOR ASS'Y .....         | 1 .....     | 0559004040                              |
| 4-7*       | 0602129031      | MACHINE SCREW                 | 2           |                                         |
| 5          | 0021806020      | MACHINE SCREW                 | 2           |                                         |
| 6          | 0021806050      | MACHINE SCREW                 | 2           |                                         |
| 7          | 0602120129      | CABLE, TACHOMETER .....       | 1 .....     | 0578909990                              |
| 8          | 0602122251      | UNIT, OIL PRESSURE .....      | 1 .....     | 0716000760                              |
| 9          | 0602123250      | UNIT, WATER TEMPERATURE ..... | 1 .....     | 0715000331                              |
| 10         | 8132142004      | SLIDE LEVER                   | 1           |                                         |
| 11         | 0601840190      | KNOB .....                    | 1 .....     | REPLACES 0805012904                     |
| 12         | 0036003000      | HEX NUT                       | 1           |                                         |
| 13         | 7452140504      | BRACKET                       | 1           |                                         |
| 14         | 0030008000      | HEX NUT                       | 2           |                                         |
| 15         | 0605010503      | SNAP PIN                      | 1           |                                         |
| 16         | 6008155390      | STARTER SWITCH .....          | 1 .....     | REPLACES 0602100049<br>INCLUDE ITEM W/# |
| 16-1#      | 0000000615      | KEY, STARTER SWITCH           |             |                                         |
| 17         | 6008152371      | PREHEATLAMP .....             | 1 .....     | REPLACES 0602102047                     |
| 18         | C0355300114     | GOVERNOR ROD                  | 1           |                                         |
| 19         | 0602180106      | BALL JOINT                    | 2           |                                         |
| 20         | 0030004000      | HEX NUT                       | 2           |                                         |
| 21         | 0207006000      | HEX NUT                       | 2           |                                         |
| 22         | 952404470       | PLAIN WASHER .....            | 2 .....     | REPLACES 0041206000                     |
| 23         | C0355200204     | ROD GUIDE                     | 1           |                                         |
| 24         | 0017112025      | HEX HEAD BOLT                 | 2           |                                         |
| 25         | C0484000303     | SUPPORT LEG                   | 1           |                                         |
| 26         | 0017110025      | HEX HEAD BOLT                 | 4           |                                         |
|            | 0207010000      | HEX NUT                       | 4           |                                         |

# DCA-150SSKII — ENGINE OPERATING PANEL ASSY.

## ENGINE OPERATING PANEL ASSY.





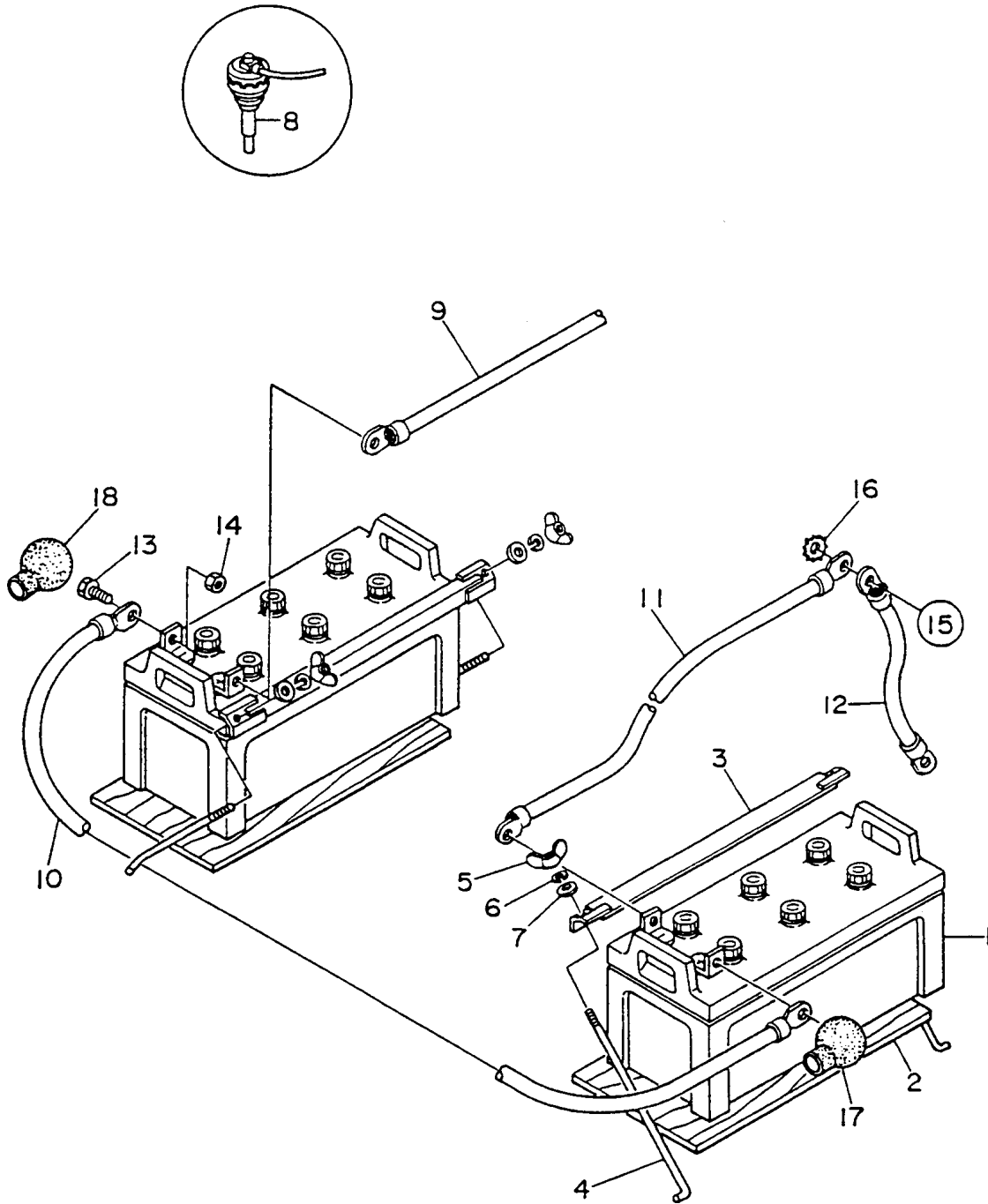
# DCA-150SSKII — ENGINE OPERATING PANEL ASSY.

## ENGINE OPERATING PANEL ASSY.(CONT)

| <u>NO.</u> | <u>PART NO.</u> | <u>PART NAME</u>        | <u>QTY.</u> | <u>REMARKS</u>              |
|------------|-----------------|-------------------------|-------------|-----------------------------|
| 27         | 8131860303      | SET BOARD, OUTPUT TERM. | 1           |                             |
| 28         | 0801830304      | OUTPUT TERMINAL         | 5           |                             |
| 29         | 0801830804      | HEX HEAD BOLT           | 5           |                             |
| 30         | 0039316000      | HEX NUT                 | 10          |                             |
| 31         | 0040016000      | LOCK WASHER             | 15          |                             |
| 32         | 0041416000      | PLAIN WASHER            | 20          |                             |
| 33         | 011208035       | HEX HEAD BOLT .....     | 5           | REPLACES 0017108035         |
| 34         | 8131865704      | COVER OUTPUT TERMINAL   | 1           |                             |
| 35         | 0605010051      | HINGE                   | 2           |                             |
| 36         | 0027103010      | MACHINE SCREW           | 6           |                             |
| 37         | 0027103016      | MACHINE SCREW           | 6           |                             |
|            | 0207003000      | HEX NUT                 | 6           |                             |
| 38         | 0017106016      | HEX HEAD BOLT           | 2           |                             |
| 39         | 0845032104      | RUBBER COVER            | 1           |                             |
| 40         | 0845032004      | SET FRAME RUBBER COVER  | 1           |                             |
| 41         | 011008020       | HEX HEAD BOLT .....     | 4           | REPLACES 0017108020         |
| 42         | 0601812597      | RECEPTACLE .....        | 2           | 530EM; REPLACES 0601812598  |
| 43         | 0601811034      | RECEPTACLE .....        | 3           | CS6369; REPLACES 0601812565 |
| 44         | 0021304015      | MACHINE SCREW .....     | 10          | REPLACES 0027104015         |
|            | 0030004000      | HEX NUT                 | 10          |                             |
|            | 031104080       | PLAIN WASHER .....      | 10          | REPLACES 0041204000         |
| 45         | 06018053136     | CIRCUIT BREAKER .....   | 2           | KM-51265V20A                |
| 46         | 0601805840      | CIRCUIT BREAKER .....   | 3           | KM-52265V50A                |
| 47         | 8131817103      | BRACKET CIRCUIT BREAKER | 1           |                             |
| 47-1       | 0223300200      | RUBBER CUSHION          | 1           |                             |
| 48         | 011206020       | HEX HEAD BOLT .....     | 2           | REPLACES 0017106020         |
| 49         | 8131865303      | COVER                   | 1           |                             |
| 50         | 012212045       | HEX HEAD BOLT .....     | 2           | REPLACES 0010012045         |
| 51         | 031112230       | PLAIN WASHER .....      | 2           | REPLACES 0041212000         |
| 52         | 0805009804      | RUBBER WASHER           | 2           |                             |
| 53         | 0030012000      | HEX NUT                 | 2           |                             |

# DCA-150SSKII — BATTERY ASSY.

BATTERY ASSY.

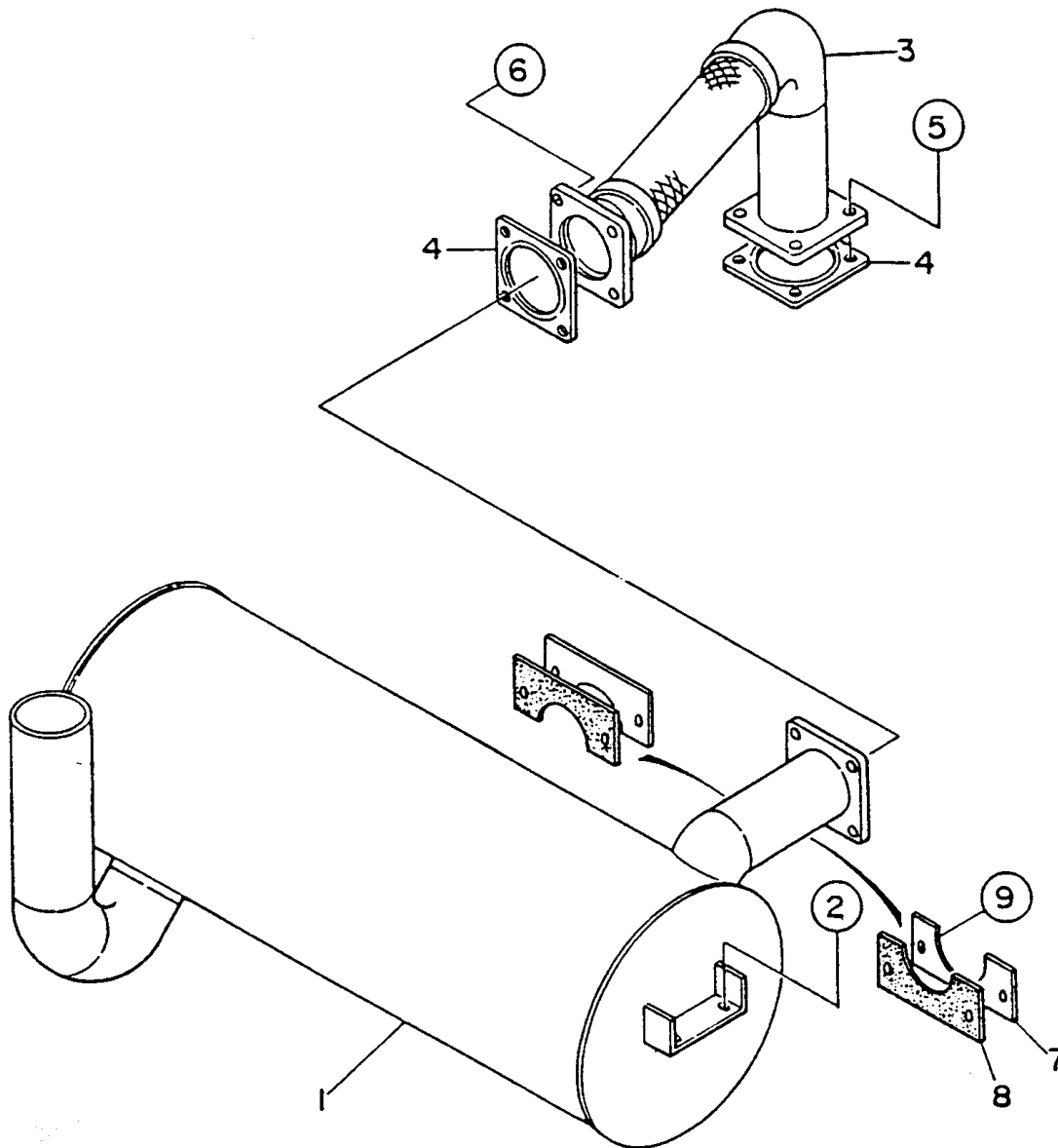


## BATTERY ASSY.

| <u>NO.</u> | <u>PART NO.</u> | <u>PART NAME</u>    | <u>QTY.</u> | <u>REMARKS</u>      |
|------------|-----------------|---------------------|-------------|---------------------|
| 1          | 0168511551      | BATTERY .....       | 2 .....     | 115F51              |
| 2          | 0805000804      | BATTERY SHEET       | 2           |                     |
| 3          | 0805000904      | BATTERY BAND        | 2           |                     |
| 4          | 0805002904      | BATTERY BOLT        | 4           |                     |
| 5          | 0037808000      | WING NUT            | 4           |                     |
| 6          | 0040008000      | LOCK WASHER         | 4           |                     |
| 7          | 0041208000      | PLAIN WASHER .....  | 4 .....     | REPLACES 0041208000 |
| 8          | 0602220203      | BATTERY SENSOR      | 1           |                     |
| 9          | C0347500004     | BATTERY CABLE       | 1           |                     |
| 10         | 8302265304      | BATTERY CABLE       | 1           |                     |
| 11         | 8302265504      | BATTERY CABLE       | 1           |                     |
| 12         | C0347200104     | EARTH CABLE         | 1           |                     |
| 13         | 012010030       | HEX HEAD BOLT ..... | 4 .....     | REPLACES 0010010030 |
| 14         | 020310080       | HEX NUT .....       | 4 .....     | REPLACES 0030010000 |
| 15         | 012212025       | HEX HEAD BOLT ..... | 1 .....     | REPLACES 0010012025 |
|            | 0040012000      | LOCK WASHER         | 1           |                     |
|            | 031112230       | PLAIN WASHER .....  | 1 .....     | REPLACES 0041212000 |
| 16         | 0040512000      | TOOTHED WASHER      | 1           |                     |
| 17         | 0845040414      | TERMINAL CAP +      | 2           |                     |
| 18         | 0845041304      | TERMINAL CAP -      | 2           |                     |

# DCA-150SSKII — MUFFLER ASSY.

MUFFLER ASSY.

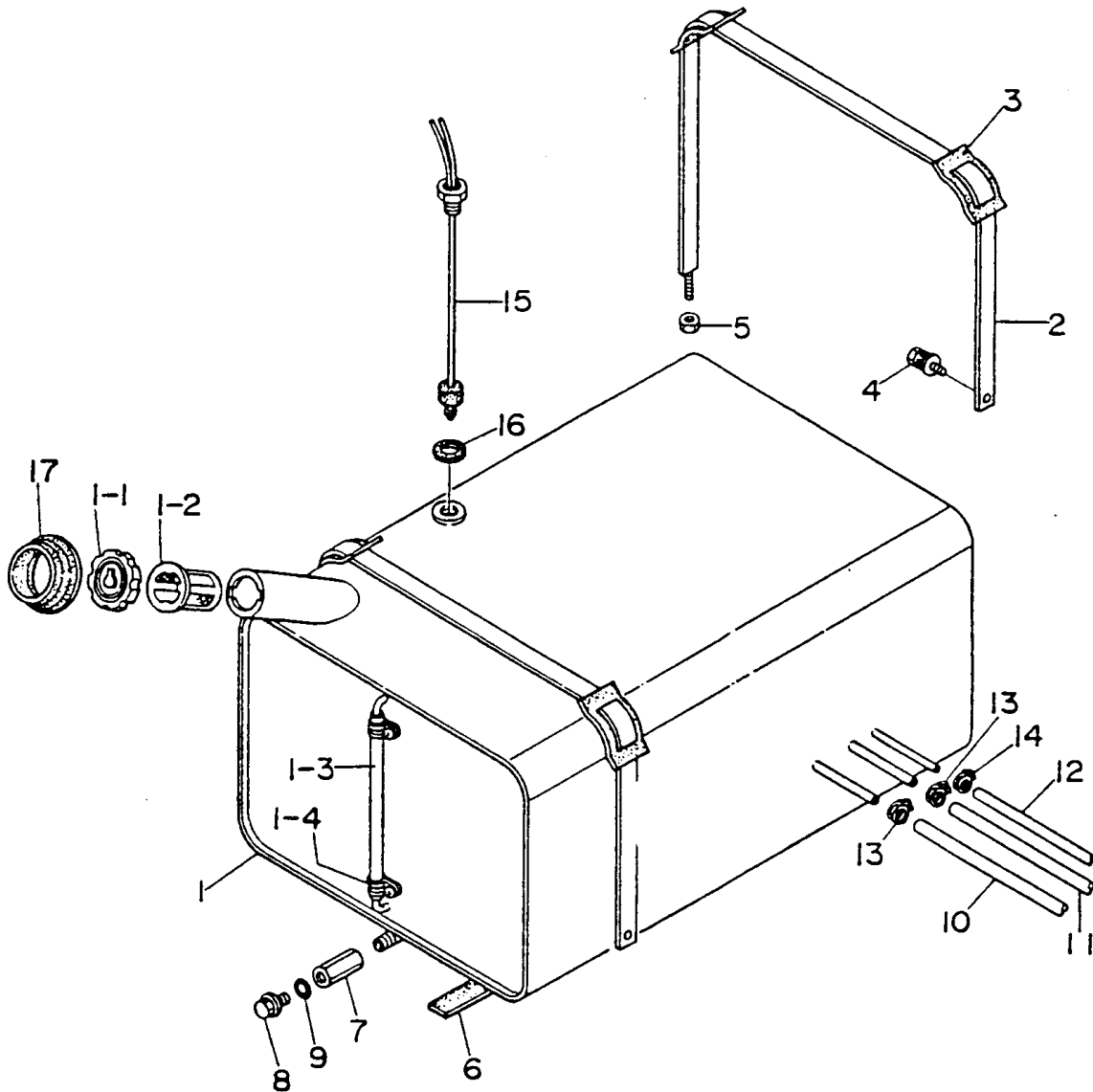


## MUFFLER ASSY.

| <u>NO.</u> | <u>PART NO.</u> | <u>PART NAME</u>    | <u>QTY.</u> | <u>REMARKS</u>      |
|------------|-----------------|---------------------|-------------|---------------------|
| 1          | C0331100302     | MUFFLER             | 1           |                     |
| 2          | 0017110025      | HEX HEAD BOLT       | 4           |                     |
| 3          | C0334000003     | EXHAUST PIPE        | 1           |                     |
| 4          | 6150115751      | GASKET .....        | 1           | REPLACES 0602320142 |
| 5          | 0012112045      | HEX HEAD BOLT       | 4           |                     |
|            | 0030012000      | HEX NUT             | 4           |                     |
|            | 031112230       | PLAIN WASHER .....  | 8           | REPLACES 0041212000 |
| 6          | 0010112050      | HEX HEAD BOLT       | 4           |                     |
|            | 0030012000      | HEX NUT             | 4           |                     |
|            | 031112230       | PLAIN WASHER .....  | 8           | REPLACES 0041212000 |
| 7          | 8252354004      | COVER               | 2           |                     |
| 8          | C0334200104     | SHEET               | 2           |                     |
| 9          | 011008020       | HEX HEAD BOLT ..... | 4           | REPLACES 0017108020 |

# DCA-150SSKII — FUEL TANK ASSY.

FUEL TANK ASSY.



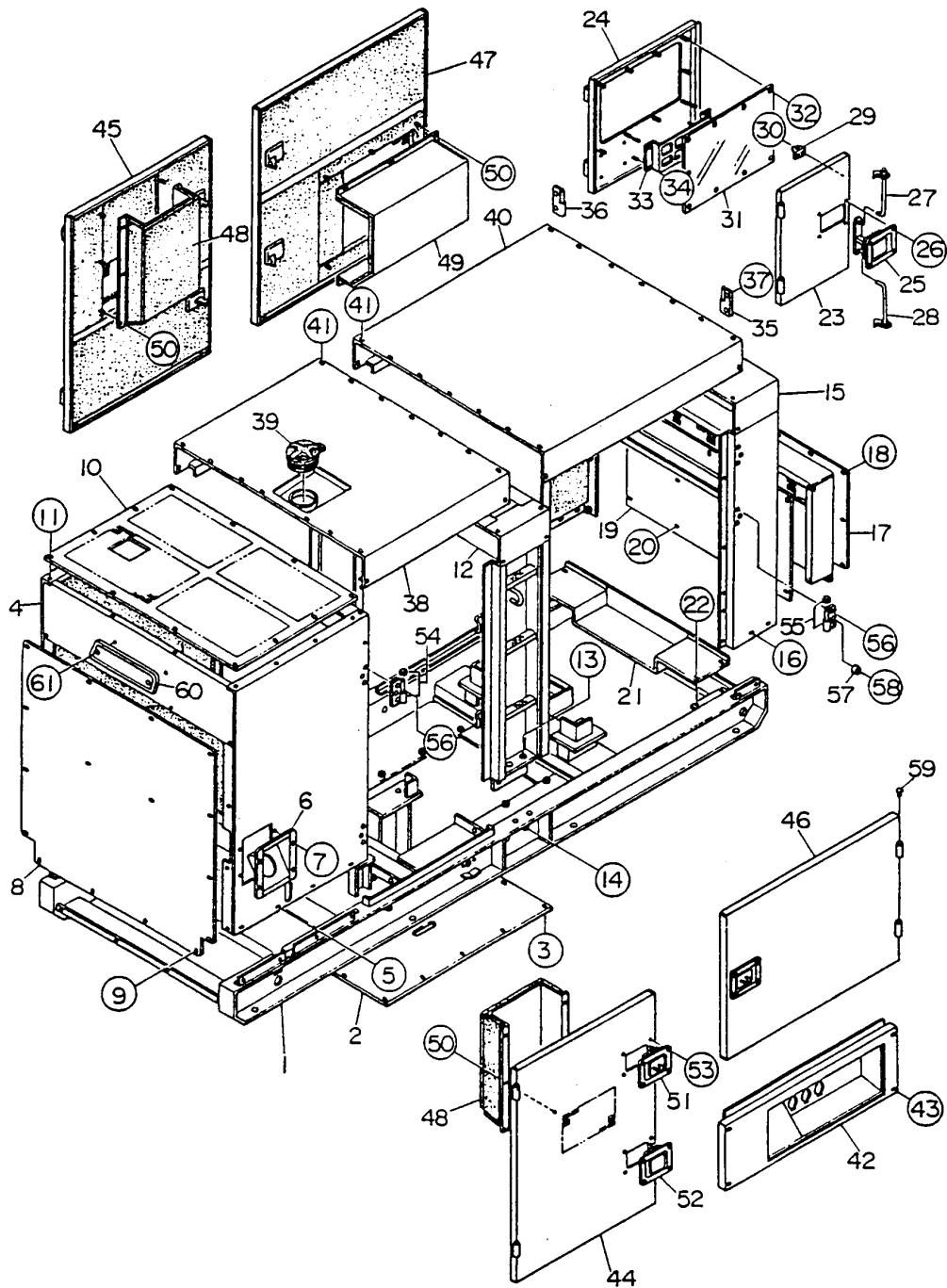
# DCA-150SSKII — FUEL TANK ASSY.

## FUEL TANK ASSY.

| <u>NO.</u> | <u>PART NO.</u> | <u>PART NAME</u>     | <u>QTY.</u> | <u>REMARKS</u>            |
|------------|-----------------|----------------------|-------------|---------------------------|
| 1          | C0364001003     | FUEL TANK .....      | 1           | ..... INCLUDE ITEMS W/*   |
| 1-1*       | 0605505030      | CAP FUEL TANK .....  | 1           | ..... REPLACES 0605505005 |
| *          |                 | KEY, CAP FUEL TANK   | 1           |                           |
| 1-2*       | 0810105400      | FUEL FILTER          | 1           |                           |
| 1-3*       | 0257700385      | HOSE, FUEL GAUGE     | 1           |                           |
| 2          | 8135523304      | TANK BAND            | 2           |                           |
| 3          | 0805003414      | PAD ,TANK BAND       | 4           |                           |
| 4          | 011008020       | HEX, HEAD BOLT ..... | 2           | ..... REPLACES 0017108020 |
| 5          | 020108060       | HEX, NUT .....       | 2           | ..... REPLACES 0037908000 |
| 6          | 0222100320      | TANK SHEET           | 4           |                           |
| 7          | 0845047504      | DRAIN JOINT          | 1           |                           |
| 8          | 0802011104      | PLUG                 | 1           |                           |
| 9          | 0150000018      | O RING               | 1           |                           |
| 10         | 0191301100      | SUCTION HOSE         | 1           |                           |
| 11         | 0191301200      | RETURN HOSE          | 1           |                           |
| 12         | 0191001750      | RETURN HOSE          | 1           |                           |
| 13         | 0605515014      | HOSE BAND            | 4           |                           |
| 14         | 0605515013      | HOSE BAND            | 2           |                           |
| 15         | 0605503009      | FUEL SENSOR          | 1           |                           |
| 16         | 0802120604      | PACKING              | 1           |                           |
| 17         | 0845039604      | RUBBER SEAL          | 1           |                           |

# DCA-150SSKII — ENCLOSURE ASSY.

ENCLOSURE ASSY.



ADD THE FOLLOWING DIGITS AFTER THE PART NUMBER  
WHEN ORDERING ANY PAINTED PANEL TO INDICATE  
COLOR OF UNIT:

|                 |                      |
|-----------------|----------------------|
| 1-ORANGE        | 5-BLACK              |
| 2-WHITE         | 6-CATERPILLAR YELLOW |
| 3-SPECTRUM GRAY | 7-CATO GOLD          |
| 4-SUNBELT GREEN | 8-RED                |

THE SERIAL NUMBER MAY BE REQUIRED.



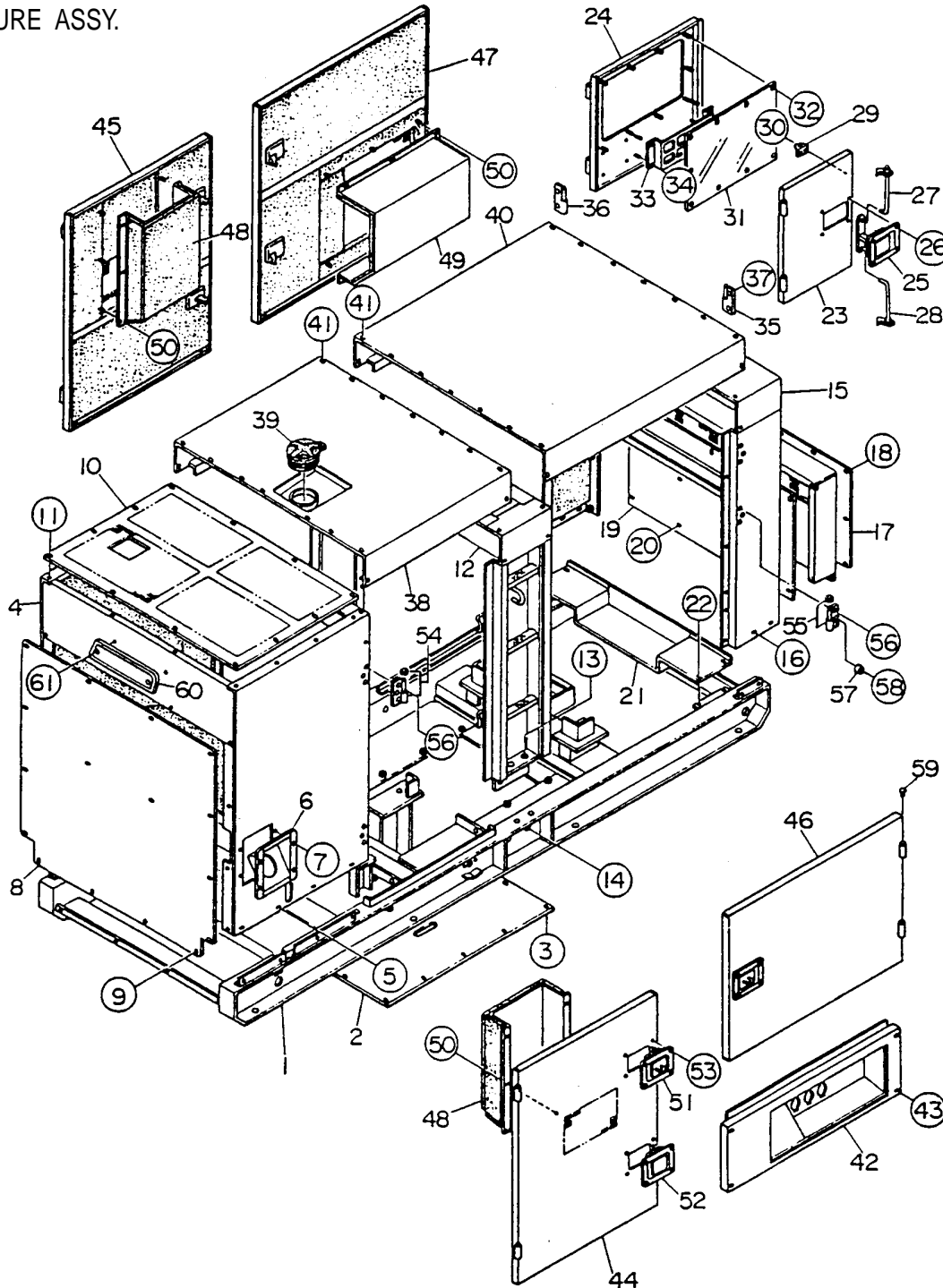
# DCA-150SSKII — ENCLOSURE ASSY.

## ENCLOSURE ASSY.

| <u>NO.</u> | <u>PART NO.</u> | <u>PART NAME</u>     | <u>QTY.</u> | <u>REMARKS</u>      |
|------------|-----------------|----------------------|-------------|---------------------|
| 1          | C0414001602     | BASE                 | 1           |                     |
| 2          | C0414100004     | FLOOR PANEL          | 1           |                     |
| 3          | 011008020       | HEX, HEAD BOLT ..... | 10          | REPLACES 0017108020 |
| 4          | C0424001502     | FRONT FRAME          | 1           |                     |
|            | C0494101203     | LINING               | 1           |                     |
| 5          | 0017110025      | HEX, HEAD BOLT       | 8           |                     |
| 6          | 0845039703      | FILLER BRACKET       | 1           |                     |
| 7          | 011008020       | HEX, HEAD BOLT ..... | 4           | REPLACES 0017108020 |
| 8          | 8305125004      | COVER, FRONT FRAME   | 1           |                     |
|            | 8305924104      | LINING               | 1           |                     |
| 9          | 0017108020      | HEX, HEAD BOLT       | 16          |                     |
| 10         | C0424200003     | COVER, FRONT FRAME   | 1           |                     |
| 11         | 011008020       | HEX, HEAD BOLT ..... | 12          | REPLACES 0011708020 |
| 12         | C0434000702     | CENTER FRAME         | 1           |                     |
| 13         | 0010114050      | HEX, HEAD BOLT       | 4           |                     |
|            | 020114110       | HEX, NUT .....       | 4           | REPLACES 0030014000 |
|            | 030214350       | LOCK WASHER .....    | 4           | REPLACES 0040014000 |
|            | 031114260       | PLAIN WASHER .....   | 4           | REPLACES 0041214000 |
| 14         | 0010120045      | HEX, HEAD BOLT       | 4           |                     |
|            | 0030020000      | HEX, NUT             | 4           |                     |
|            | 0040020000      | LOCK WASHER          | 4           |                     |
|            | 0041220000      | PLAIN WASHER         | 4           |                     |
| 15         | C0444000802     | REAR FRAME           | 1           |                     |
|            | 8305940104      | LINING               | 1           |                     |
| 16         | 0017110025      | HEX, HEAD BOLT       | 4           |                     |
| 17         | 8155155403      | COVER, REAR FRAME    | 1           |                     |
|            | 8155944104      | LINING               | 1           |                     |
| 18         | 011008020       | HEX, HEAD BOLT ..... | 14          | REPLACES 0017108020 |
| 19         | 8155156004      | PANEL                | 1           |                     |
|            | 8155946104      | LINING               | 1           |                     |
| 20         | 011008020       | HEX, HEAD BOLT ..... | 9           | REPLACES 0017108020 |
| 21         | 8155118504      | DUCT                 | 4           |                     |
| 22         | 011008020       | HEX, HEAD BOLT ..... | 4           | REPLACES 0017108020 |
| 23         | 8155143703      | DOOR, REAR FRAME     | 1           |                     |
| 24         | C0444200413     | DOOR, REAR FRAME     | 1           |                     |
| 25         | B9114000102     | DOOR HANDLE          | 1           |                     |
| 26         | 0021806016      | MACHINE SCREW        | 4           |                     |
|            | 0030006016      | HEX, NUT             | 4           |                     |
| 27         | 8255146104      | DOOR ROD             | 1           |                     |
| 28         | 8255146204      | DOOR ROD             | 1           |                     |
| 29         | 0845050704      | STAY                 | 4           |                     |
| 30         | 0207006000      | HEX, NUT             | 8           |                     |
| 31         | 8165157004      | WINDOW PLATE         | 1           |                     |

# DCA-150SSKII — ENCLOSURE ASSY.

## ENCLOSURE ASSY.



ADD THE FOLLOWING DIGITS AFTER THE PART NUMBER  
WHEN ORDERING ANY PAINTED PANEL TO INDICATE  
COLOR OF UNIT:

|                 |                      |
|-----------------|----------------------|
| 1-ORANGE        | 5-BLACK              |
| 2-WHITE         | 6-CATERPILLAR YELLOW |
| 3-SPECTRUM GRAY | 7-CATO GOLD          |
| 4-SUNBELT GREEN | 8-RED                |

THE SERIAL NUMBER MAY BE REQUIRED.

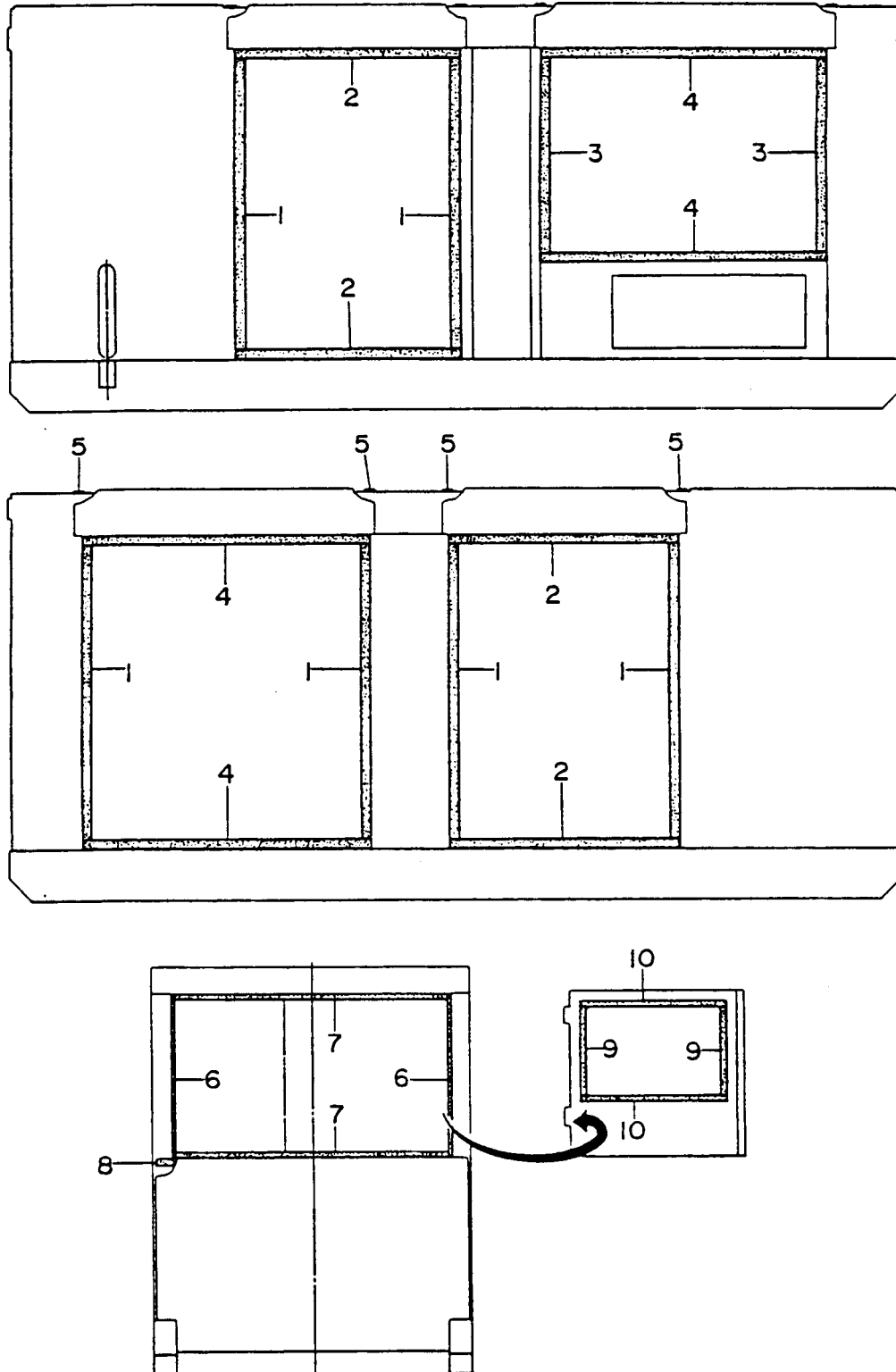
# DCA-150SSKII — ENCLOSURE ASSY.

## ENCLOSURE ASSY. (CONT)

| <u>NO.</u> | <u>PART NO.</u> | <u>PART NAME</u>     | <u>QTY.</u> | <u>REMARKS</u>      |
|------------|-----------------|----------------------|-------------|---------------------|
| 32         | 00377906000     | HEX. NUT             | 10          |                     |
| 33         | B9114500104     | DOOR POCKET          | 1           |                     |
| 34         | 0207006000      | HEX. NUT             | 4           |                     |
| 35         | M9110100204     | HINGE .....          | 2           | REPLACES 0845047104 |
|            | 0845045004      | WASHER               | 2           |                     |
| 36         | M9110100304     | HINGE .....          | 2           | REPLACES 0845047204 |
|            | 0845045004      | WASHER               | 2           |                     |
| 37         | 011008020       | HEX. HEAD BOLT ..... | 6           | REPLACES 0017108020 |
| 38         | C0464100603     | ROOF PANEL           | 1           |                     |
|            | C0494500404     | LINING               | 1           |                     |
| 39         | 0845052203      | FILLER COVER         | 1           |                     |
| 40         | C0464200203     | ROOF PANEL           | 1           |                     |
|            | C0494501804     | LINING               | 1           |                     |
| 41         | 011008020       | HEX. HEAD BOLT ..... | 36          | REPLACES 0017108020 |
| 42         | C0454202102     | SPLASHER PANEL       | 1           |                     |
| 43         | 0017108055      | HEX. HEAD BOLT       | 4           |                     |
| 44         | C0454002203     | SIDE DOOR            | 1           |                     |
|            | C0494403204     | LINING               | 1           |                     |
| 45         | C0454002303     | SIDE DOOR            | 1           |                     |
|            | C0494403304     | LINING               | 1           |                     |
| 46         | C0454002403     | SIDE DOOR            | 1           |                     |
|            | C0494403404     | LINING               | 1           |                     |
| 47         | C0454002503     | SIDE DOOR            | 1           |                     |
|            | C0494403504     | LINING               | 1           |                     |
| 48         | 8135176104      | DUCT                 | 2           |                     |
|            | 8135976104      | LINING               | 1           |                     |
| 49         | 8135176004      | DUCT                 | 1           |                     |
|            | 8135976304      | LINING               | 1           |                     |
| 50         | 020108060       | HEX. NUT .....       | 21          | REPLACES 0207008000 |
| 51         | B9114000002     | DOOR HANDLE          | 4           |                     |
| 52         | 0825007362      | DOOR HANDLE          | 3           |                     |
| 53         | 0021806016      | MACHINE SCREW        | 28          |                     |
|            | 020106050       | HEX. NUT .....       | 28          | REPLACES 0030006000 |
| 54         | 0845046904      | HINGE                | 4           |                     |
|            | 0845045004      | WASHER               | 4           |                     |
| 55         | 0845047004      | HINGE                | 4           |                     |
|            | 0845045004      | WASHER               | 4           |                     |
| 56         | 011008020       | HEX. HEAD BOLT ..... | 16          | REPLACES 0017108020 |
| 57         | 0601850057      | RUBBER CUSHION       | 10          |                     |
| 58         | 0021008025      | MACHINE SCREW        | 10          |                     |
| 59         | 0845031504      | CAP                  | 12          |                     |
| 60         | B9511200003     | EMBLEM               | 2           |                     |
| 61         | 0021106016      | MACHINE SCREW        | 4           |                     |

# DCA-150SSKII — RUBBER SEALS ASSY.

RUBBER SEALS ASSY.



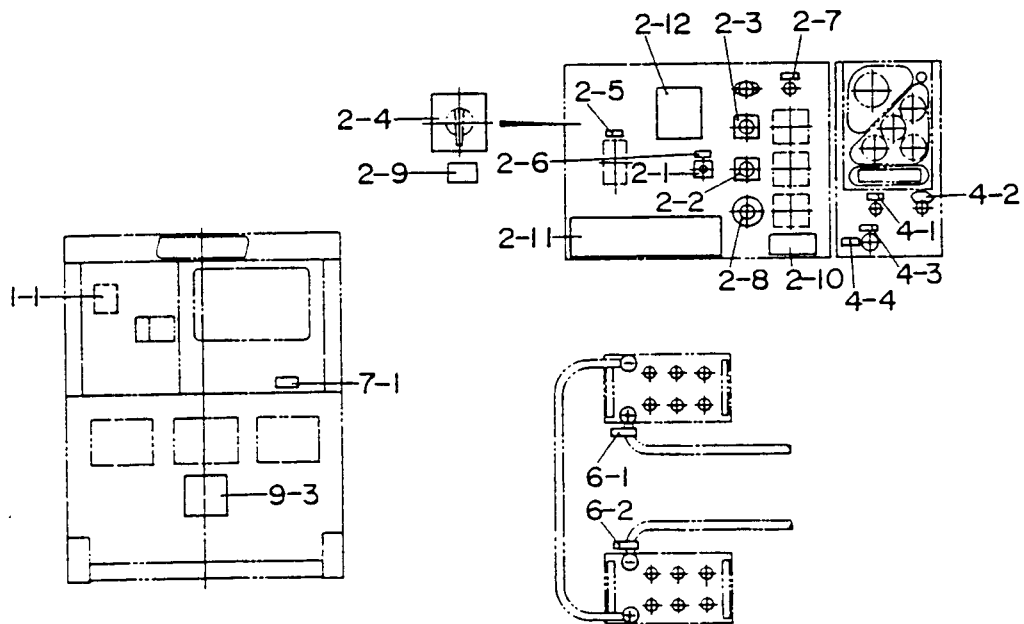
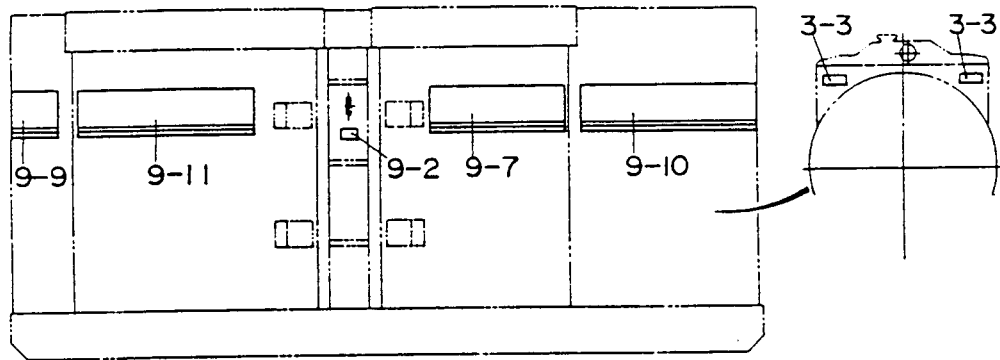
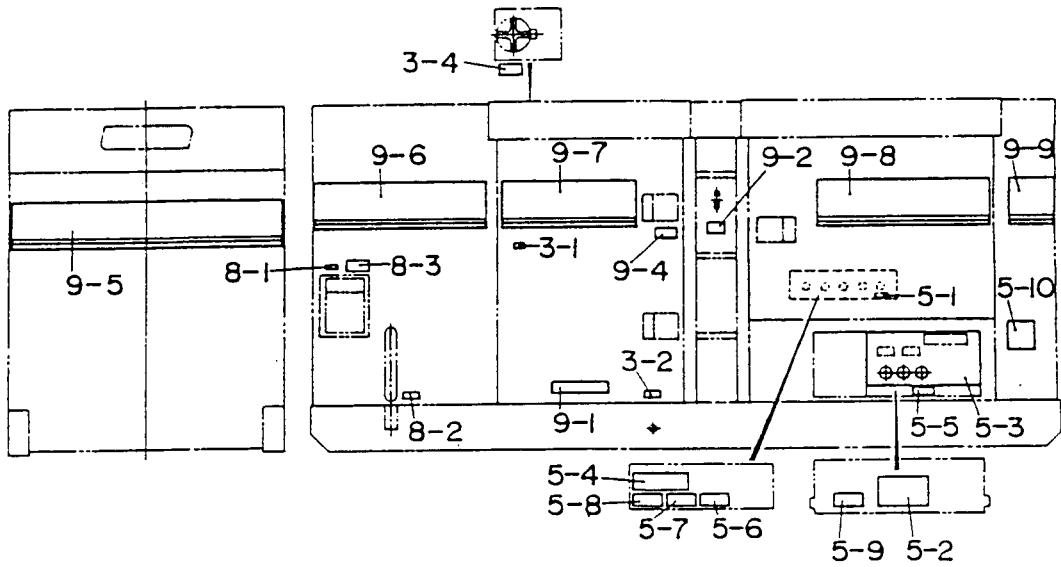
## DCA-150SSKII — RUBBER SEALS ASSY.

### RUBBER SEALS ASSY.

| <u>NO.</u> | <u>PART NO.</u> | <u>PART NAME</u> | <u>QTY.</u> | <u>REMARKS</u> |
|------------|-----------------|------------------|-------------|----------------|
| 1          | 0228901080      | RUBBER SEAL      | 6           |                |
| 2          | 0228900840      | RUBBER SEAL      | 4           |                |
| 3          | 0228900730      | RUBBER SEAL      | 2           |                |
| 4          | 0228901080      | RUBBER SEAL      | 4           |                |
| 5          | 0229201200      | RUBBER SEAL      | 4           |                |
| 6          | 0228800650      | RUBBER SEAL      | 2           |                |
| 7          | 0228801045      | RUBBER SEAL      | 2           |                |
| 8          | 0229201190      | RUBBER SEAL      | 1           |                |
| 9          | 0228100320      | RUBBER SEAL      | 2           |                |
| 10         | 0228100540      | RUBBER SEAL      | 2           |                |

# DCA-150SSKII — NAME PLATE AND DECALS

## NAME PLATE AND DECALS



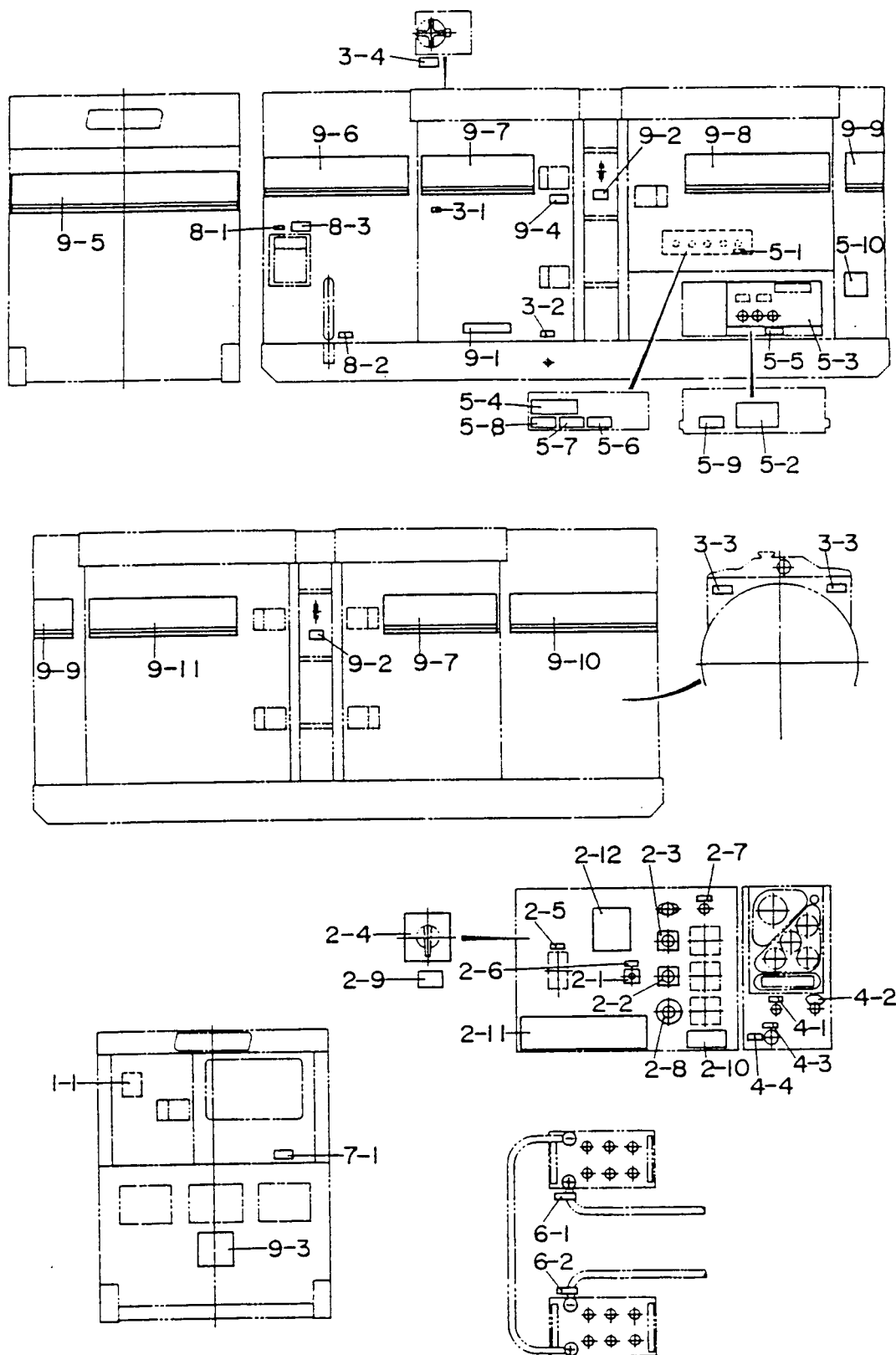
# DCA-150SSKII — NAME PLATE AND DECALS

## NAME PLATE ASSY.

| <u>NO.</u>                   | <u>PART NO.</u> | <u>PART NAME</u>                         | <u>QTY.</u> | <u>REMARKS</u> |
|------------------------------|-----------------|------------------------------------------|-------------|----------------|
| 1-1                          | 0840624904      | DECAL; OPERATING PROCEDURE .....         | 1 .....     | S-3035         |
| CONTROL BOX GROUP            |                 |                                          |             |                |
| 2-1                          | 0800520100      | PLATE; ON - OFF .....                    | 1 .....     | AT-202         |
| 2-2                          | 0800520904      | PLATE; AMMETER CHG.- OVER SWITCH. ....   | 1 .....     | N-2438         |
| 2-3                          | 0800520814      | PLATE; VOLTMETER CHG. - OVER SWITCH .... | 1 .....     | N-2439         |
| 2-4                          | 0840624414      | DECAL; SELECTOR SWITCH .....             | 1 .....     | S-3030A        |
| 2-5                          | 0840624504      | DECAL; CIRCUIT BREAKER .....             | 1 .....     | S-3031         |
| 2-6                          | 0840624604      | DECAL; PANEL LIGHT SWITCH .....          | 1 .....     | S-3032         |
| 2-7                          | 0840624704      | DECAL; PILOT LAMP .....                  | 1 .....     | S-3033         |
| 2-8                          | 0840624804      | DECAL; VOLTAGE REGULATOR .....           | 1 .....     | S-3034         |
| 2-9                          | B9521100504     | DECAL; CAUTION .....                     | 1 .....     | B92110050      |
| 2-10                         | B9531100604     | DECAL; WARNING .....                     | 1 .....     | B93110060      |
| 2-11                         | C0561103503     | DECAL; WHISPERWATT 150 .....             | 1 .....     | C06110350      |
| 2-12                         | C251000004      | DECAL; SAFETY INSTRUCTIONS .....         | 1 .....     | C2510 0000     |
| ENGINE RADIATOR GROUP        |                 |                                          |             |                |
| 3-1                          | 6360610304      | DECAL; WATER .....                       | 1 .....     | S-1880         |
| 3-2                          | 6360620204      | DECAL; OIL DRAIN PLUG .....              | 1 .....     | S-1885         |
| 3-3                          | B9504000404     | DECAL; WARNING .....                     | 2 .....     | B90400040      |
| 3-4                          | B9504100104     | DECAL; WARNING .....                     | 1 .....     | B90410010      |
| ENGINE OPERATING PANEL GROUP |                 |                                          |             |                |
| 4-1                          | 0840625004      | DECAL; PREHEAT LAMP .....                | 1 .....     | S-3036         |
| 4-2                          | 0840625104      | DECAL; STARTER SWITCH .....              | 1 .....     | S-3037         |
| 4-3                          | 0840625204      | DECAL; SPEED CONTROL HANDLE .....        | 1 .....     | S-3038         |
| 4-4                          | 0840625404      | DECAL; HANDLE POSITION .....             | 1 .....     | S-3040         |
| OUTPUT TERMINAL GROUP        |                 |                                          |             |                |
| 5-1                          | 0840614104      | DECAL; GROUND .....                      | 1 .....     | S-2635         |
| 5-2                          | 0840619904      | DECAL; DANGER .....                      | 1 .....     | S-2731         |
| 5-3                          | 8110670323      | DECAL; RECEPTACLE & CIRCUIT BRKER. ....  | 1 .....     | S-3046B        |
| 5-4                          | 0840627103      | DECAL; CABLE JOINING .....               | 1 .....     | S 3245         |
| 5-5                          | B1551001604     | DECAL; NOTE .....                        | 1 .....     | B15100160      |
| 5-6                          | B9511100304     | DECAL; WARNING .....                     | 1 .....     | B91110030      |
| 5-7                          | B9511100404     | DECAL; WARNING .....                     | 1 .....     | B91110040      |
| 5-8                          | B9531100504     | DECAL; WARNING .....                     | 1 .....     | B93110050      |
| 5-9                          | B9531100604     | DECAL; WARNING .....                     | 1 .....     | B93110060      |
| 5-10                         | C0551001004     | DECAL; NOTE .....                        | 1 .....     | C05100100      |

# DCA-150SSKII — NAME PLATE AND DECALS

## NAME PLATE AND DECALS





# DCA-150SSKII — NAME PLATE AND DECALS

NAME PLATE ASSY.

| <u>NO.</u> | <u>PART NO.</u> | <u>PART NAME</u>             | <u>QTY.</u> | <u>REMARKS</u> |
|------------|-----------------|------------------------------|-------------|----------------|
|            |                 | BATTERY GROUP                |             |                |
| 6-1        | 0800689404      | DECAL; + .....               | 1           | S-2090         |
| 6-2        | 0800689504      | DECAL; - .....               | 1           | S-2091         |
|            |                 | MUFFLER GROUP                |             |                |
| 7-1        | B9504200004     | DECAL; WARNING .....         | 1           | B 90420000     |
|            |                 | FUEL TANK GROUP              |             |                |
| 8-1        | 1320620904      | DECAL; DIESEL FUEL .....     | 1           | S-1756         |
| 8-2        | 6360620004      | DECAL; FUEL DRAIN PLUG ..... | 1           | S-1883         |
| 8-3        | B9504500004     | DECAL; WARNING .....         | 1           | B 90450000     |
|            |                 | ENCLOSURE GROUP              |             |                |
| 9-1        | 1320610603      | DECAL; WATER- OIL .....      | 1           | S-1760         |
| 9-2        | 1320621504      | DECAL; SUPPORT HOOK .....    | 2           | S-2257         |
| 9-3        | 0840625902      | DECAL; MQ .....              | 1           | S-3057         |
| 9-4        | B9504000304     | DECAL; CAUTION .....         | 1           | B90400030      |
| 9-5        | C0561100402     | STRIPE                       | 1           |                |
| 9-6        | C0561101203     | STRIPE                       | 1           |                |
| 9-7        | C0561100204     | STRIPE                       | 2           |                |
| 9-8        | C0561100603     | STRIPE                       | 1           |                |
| 9-9        | C0561102604     | STRIPE                       | 2           |                |
| 9-10       | C0561101003     | STRIPE                       | 1           |                |
| 9-11       | C0561100103     | STRIPE                       | 1           |                |

**PAYMENT TERMS**

Terms of payment for parts are net 10 days.

**FREIGHT POLICY**

All parts orders will be shipped collect or prepaid with the charges added to the invoice. All shipments are F.O.B. point of origin. Multiquip's responsibility ceases when a signed manifest has been obtained from the carrier, and any claim for shortage or damage must be settled between the consignee and the carrier.

**MINIMUM ORDER**

The minimum charge for orders from Multiquip is \$15.00 net. Customers will be asked for instructions regarding handling of orders not meeting this requirement.

**RETURNED GOODS POLICY**

Return shipments will be accepted and credit will be allowed, subject to the following provisions:

1. A Returned Material Authorization must be approved by Multiquip prior to shipment.
2. To obtain a Return Material Authorization, a list must be provided to Multiquip Parts Sales that defines item numbers, quantities, and descriptions of the items to be returned.
  - a. The parts numbers and descriptions must match the current parts price list.
  - b. The list must be typed or computer generated.
  - c. The list must state the reason(s) for the return.
  - d. The list must reference the sales order(s) or invoice(s) under which the items were originally purchased.
  - e. The list must include the name and phone number of the person requesting the RMA.
3. A copy of the Return Material Authorization must accompany the return shipment.

4. Freight is at the sender's expense. All parts must be returned freight prepaid to Multiquip's designated receiving point.
5. Parts must be in new and resalable condition, in the original Multiquip package (if any), and with Multiquip part numbers clearly marked.
6. The following items are not returnable:
  - a. Obsolete parts. (If an item is listed in the parts price book as being replaced by another item, it is obsolete.)
  - b. Any parts with a limited shelf life (such as gaskets, seals, "O" rings, and other rubber parts) that were purchased more than six months prior to the return date.
  - c. Any line item with an extended dealer net price of less than \$5.00.
  - d. Special order items.
  - e. Electrical components.
  - f. Paint, chemicals, and lubricants.
  - g. Decals and paper products.
  - h. Items purchased in kits.
7. The sender will be notified of any material received that is not acceptable.
8. Such material will be held for 5 working days from notification, pending instructions. If a reply is not received within 5 days, the material will be returned to the sender at his expense.
9. Credit on returned parts will be issued at dealer net price at time of the original purchase, less a 15% restocking charge.
10. In cases where an item is accepted for which the original purchase document can not be determined, the price will be based on the list price that was effective twelve months prior to the RMA date.
11. Credit issued will be applied to future purchases only.

**PRICING AND REBATES**

Prices are subject to change without prior notice. Price changes are effective on a specific date and all orders received on or after that date will be billed at the revised price. Rebates for price declines and added charges for price increases will not be made for stock on hand at the time of any price change.

Multiquip reserves the right to quote and sell direct to Government agencies, and to Original Equipment Manufacturer accounts who use our products as integral parts of their own products.

**SPECIAL EXPEDITING SERVICE**

A \$20.00 to \$50.00 surcharge will be added to the invoice for special handling including bus shipments, insured parcel post or in cases where Multiquip must personally deliver the parts to the carrier.

**LIMITATIONS OF SELLER'S LIABILITY**

Multiquip shall not be liable here under for damages in excess of the purchase price of the item with respect to which damages are claimed, and in no event shall Multiquip be liable for loss of profit or good will or for any other special, consequential or incidental damages.

**LIMITATION OF WARRANTIES**

No warranties, express or implied, are made in connection with the sale of parts or trade accessories nor as to any engine not manufactured by Multiquip. Such warranties made in connection with the sale of new, complete units are made exclusively by a statement of warranty packaged with such units, and Multiquip neither assumes nor authorizes any person to assume for it any other obligation or liability whatever in connection with the sale of its products. A part from such written statement of warranty, there are no warranties, express, implied or statutory, which extend beyond the description of the products on the face hereof.



# PARTS AND OPERATION MANUAL

## **HERE'S HOW TO GET HELP**

*PLEASE HAVE THE MODEL AND SERIAL NUMBER  
ON-HAND WHEN CALLING*

### **PARTS DEPARTMENT**

*800/427-1244 or 310/537-3700*

*FAX: 800/672-7877 or 310/637-3284*

### **SERVICE DEPARTMENT**

*800/835-2551 or 310/537-3700*

*FAX: 310/638-8046*

### **WARRANTY DEPARTMENT**

*800/835-2551 or 310/537-3700*

*FAX: 310/638-8046*

### **MAIN**

*800/421-1244 or 310/537-3700*

*FAX: 310 - 537-3927*

Manufactured for Multiquip Inc.  
by  
DENYO, MANUFACTURING, CO., USA



#### **MULTIQUIP INC.**

POST OFFICE BOX 6254

CARSON, CA 90749

310-537-3700 • 800-421-1244

FAX: 310-537-3927

E-MAIL: [mq@multiquip.com](mailto:mq@multiquip.com)

WWW: [multiquip.com](http://multiquip.com)

Atlanta • Boise • Dallas • Houston • Newark  
Quebec, Canada • Manchester, UK • Rio De Janeiro, BR • Guadalajara, MX

## Free Manuals Download Website

<http://myh66.com>

<http://usermanuals.us>

<http://www.somanuals.com>

<http://www.4manuals.cc>

<http://www.manual-lib.com>

<http://www.404manual.com>

<http://www.luxmanual.com>

<http://aubethermostatmanual.com>

Golf course search by state

<http://golfingnear.com>

Email search by domain

<http://emailbydomain.com>

Auto manuals search

<http://auto.somanuals.com>

TV manuals search

<http://tv.somanuals.com>