

# PARTS MANUAL



## **MODEL SP2S20H SELF-PROPELLED PROFESSIONAL PAVEMENT SAW (HONDA GX630RTXF2 GASOLINE ENGINE)**

Revision #0 (02/17/2012)

To find the latest revision of this  
publication, visit our website at:  
[www.multiquip.com](http://www.multiquip.com)



**THIS MANUAL MUST ACCOMPANY THE EQUIPMENT AT ALL TIMES.**

**PN: 35524**



## **CALIFORNIA — Proposition 65 Warning**

Engine exhaust and some of its constituents, and some dust created by power sanding, sawing, grinding, drilling and other construction activities contains chemicals known to the State of California to cause cancer, birth defects and other reproductive harm.


Some examples of these chemicals are:

- Lead from lead-based paints.
- Crystalline silica from bricks.
- Cement and other masonry products.
- Arsenic and chromium from chemically treated lumber.

Your risk from these exposures varies, depending on how often you do this type of work. To reduce your exposure to these chemicals: **ALWAYS** work in a well ventilated area, and work with approved safety equipment, such as dust masks that are specially designed to filter out microscopic particles.

# SILICOSIS/RESPIRATORY WARNINGS

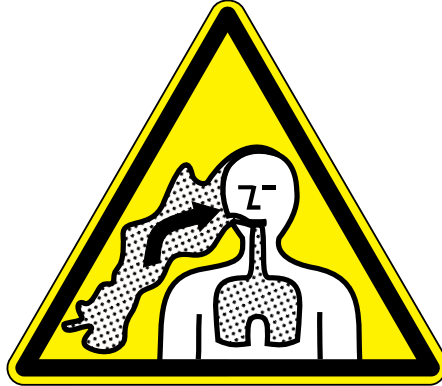
**! WARNING**



**SILICOSIS WARNING**

Grinding/cutting/drilling of masonry, concrete, metal and other materials with silica in their composition may give off dust or mists containing crystalline silica. Silica is a basic component of sand, quartz, brick clay, granite and numerous other minerals and rocks. Repeated and/or substantial inhalation of airborne crystalline silica can cause serious or fatal respiratory diseases, including silicosis. In addition, California and some other authorities have listed respirable crystalline silica as a substance known to cause cancer. When cutting such materials, always follow the respiratory precautions mentioned above.

**! WARNING**



**RESPIRATORY HAZARDS**

Grinding/cutting/drilling of masonry, concrete, metal and other materials can generate dust, mists and fumes containing chemicals known to cause serious or fatal injury or illness, such as respiratory disease, cancer, birth defects or other reproductive harm. If you are unfamiliar with the risks associated with the particular process and/or material being cut or the composition of the tool being used, review the material safety data sheet and/or consult your employer, the material manufacturer/supplier, governmental agencies such as OSHA and NIOSH and other sources on hazardous materials. California and some other authorities, for instance, have published lists of substances known to cause cancer, reproductive toxicity, or other harmful effects.

Control dust, mist and fumes at the source where possible. In this regard use good work practices and follow the recommendations of the manufacturers or suppliers, OSHA/NIOSH, and occupational and trade associations. Water should be used for dust suppression when wet cutting is feasible. When the hazards from inhalation of dust, mists and fumes cannot be eliminated, the operator and any bystanders should always wear a respirator approved by NIOSH/MSHA for the materials being used.

# TABLE OF CONTENTS

---

## SP2S20H Pavement Saw

Proposition 65 Warning .....	2
Silicosis/Respiratory Warnings .....	3
Table Of Contents .....	4
Parts Ordering Procedures.....	5
Explanation Of Code In Remarks Column.....	6
Suggested Spare Parts .....	7

## Component Drawings

Nameplate and Decals Assembly.....	8-9
Under Carriage Assembly .....	10-11
Blade Shaft Assembly .....	12-13
Lifting Bale Assembly.....	14-15
Console Assembly .....	16-17
Engine Mount Assembly.....	18-19
Engine Assembly.....	20-21
Pointers and Covers Assembly .....	22-23
Water System Assembly.....	24-25
Blade Guard Assembly.....	26-27
Manual Raise and Lower Assy. (20-in.) .....	28-29
Battery Assembly.....	30-31
Transmission Engage Lever Assembly .....	32-33
Hydrostatic Transmission Assembly .....	34-35
Hydrostatic Drive Assembly.....	36-37
Terms and Conditions Of Sale — Parts.....	38

### NOTICE

Specifications are subject to change without notice.

# PARTS ORDERING PROCEDURES

## Ordering parts has never been easier! Choose from three easy options:

Effective:  
January 1<sup>st</sup>, 2006

www.multiquip.com



### Order via Internet (Dealers Only):

Order parts on-line using Multiquip's SmartEquip website!

- View Parts Diagrams
- Order Parts
- Print Specification Information



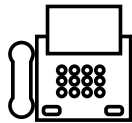
If you have an MQ Account, to obtain a Username and Password, E-mail us at: [parts@multiquip.com](mailto:parts@multiquip.com).

To obtain an MQ Account, contact your District Sales Manager for more information.

Goto [www.multiquip.com](http://www.multiquip.com) and click on **Order Parts** to log in and save!

Use the **internet** and qualify for a **5% Discount** on *Standard orders* for all orders which include complete part numbers.\*

Note: Discounts Are Subject To Change



### Order via Fax (Dealers Only):

All customers are welcome to order parts via Fax.

**Domestic (US) Customers dial:**  
1-800-6-PARTS-7 (800-672-7877)

**Fax** your order in and qualify for a **2% Discount** on *Standard orders* for all orders which include complete part numbers.\*

Note: Discounts Are Subject To Change



**Order via Phone: Domestic (US) Dealers Call:**  
1-800-427-1244

### Non-Dealer Customers:

Contact your local Multiquip Dealer for parts or call 800-427-1244 for help in locating a dealer near you.



**International Customers** should contact their local Multiquip Representatives for Parts Ordering information.

## When ordering parts, please supply:

- |   |  |
|---|--|
| <input type="checkbox"/> Dealer Account Number                                | <input type="checkbox"/> Specify Preferred Method of Shipment:                         |
| <input type="checkbox"/> Dealer Name and Address                              | <input checked="" type="checkbox"/> UPS/Fed Ex <input checked="" type="checkbox"/> DHL |
| <input type="checkbox"/> Shipping Address (if different than billing address) | <input type="checkbox"/> Priority One <input checked="" type="checkbox"/> Truck        |
| <input type="checkbox"/> Return Fax Number                                    | <input type="checkbox"/> Ground  |
| <input type="checkbox"/> Applicable Model Number                              | <input type="checkbox"/> Next Day  |
| <input type="checkbox"/> Quantity, Part Number and Description of Each Part   | <input type="checkbox"/> Second/Third Day  |

### NOTICE

All orders are treated as *Standard Orders* and will ship the same day if received prior to 3PM PST.

WE ACCEPT ALL MAJOR CREDIT CARDS!



# EXPLANATION OF CODE IN REMARKS COLUMN

The following section explains the different symbols and remarks used in the Parts section of this manual. Use the help numbers found on the back page of the manual if there are any questions.

## NOTICE

The contents and part numbers listed in the parts section are subject to change **without notice**. Multiquip does not guarantee the availability of the parts listed.

## SAMPLE PARTS LIST

NO.	PART NO.	PART NAME	QTY.	REMARKS
1	12345	BOLT.....	1	INCLUDES ITEMS W/%
2%		WASHER, 1/4 IN.....		NOT SOLD SEPARATELY
2%	12347	WASHER, 3/8 IN....	1	MQ-45T ONLY
3	12348	HOSE .....		A/R ...MAKE LOCALLY
4	12349	BEARING .....	1	S/N 2345B AND ABOVE

## NO. Column

**Unique Symbols** — All items with same unique symbol

(@, #, +, %, or >) in the number column belong to the same assembly or kit, which is indicated by a note in the “Remarks” column.

**Duplicate Item Numbers** — Duplicate numbers indicate multiple part numbers, which are in effect for the same general item, such as different size saw blade guards in use or a part that has been updated on newer versions of the same machine.

## NOTICE

When ordering a part that has more than one item number listed, check the remarks column for help in determining the proper part to order.

## PART NO. Column

**Numbers Used** — Part numbers can be indicated by a number, a blank entry, or TBD.

TBD (To Be Determined) is generally used to show a part that has not been assigned a formal part number at the time of publication.

A blank entry generally indicates that the item is not sold separately or is not sold by Multiquip. Other entries will be clarified in the “Remarks” Column.

## QTY. Column

**Numbers Used** — Item quantity can be indicated by a number, a blank entry, or A/R.

A/R (As Required) is generally used for hoses or other parts that are sold in bulk and cut to length.

A blank entry generally indicates that the item is not sold separately. Other entries will be clarified in the “Remarks” Column.

## REMARKS Column

Some of the most common notes found in the “Remarks” Column are listed below. Other additional notes needed to describe the item can also be shown.

**Assembly/Kit** — All items on the parts list with the same unique symbol will be included when this item is purchased.

Indicated by:

“INCLUDES ITEMS W/(unique symbol)”

**Serial Number Break** — Used to list an effective serial number range where a particular part is used.

Indicated by:

“S/N XXXXX AND BELOW”

“S/N XXXX AND ABOVE”

“S/N XXXX TO S/N XXX”

**Specific Model Number Use** — Indicates that the part is used only with the specific model number or model number variant listed. It can also be used to show a part is NOT used on a specific model or model number variant.

Indicated by:

“XXXXX ONLY”

“NOT USED ON XXXX”

**“Make/Obtain Locally”** — Indicates that the part can be purchased at any hardware shop or made out of available items. Examples include battery cables, shims, and certain washers and nuts.

**“Not Sold Separately”** — Indicates that an item cannot be purchased as a separate item and is either part of an assembly/kit that can be purchased, or is not available for sale through Multiquip.

## SUGGESTED SPARE PARTS

### SP2S20H SAW WITH HONDA GX630RTXF2 GASOLINE ENGINE

#### 1 to 3 units

Qty.	P/N	Description
3	15897	V-BELTS, DRIVE
1	07055-050	V-BELTS, TRANSMISSION
1	29013-001	WRENCH, BOX END 1-1/2 IN.
1	60087	ROPE, FRONT POINTER 1/4 IN.
2	15081	GRIPS, HANDLE BAR 1 IN.
1	06922-003	BLADE SHAFT NUT, RIGHT
1	07038-016	BLADE SHAFT NUT, LEFT
1	26928-004	OUTER BLADE FLANGE
3	17210Z6LP821575	ELEMENT, AIR CLEANER
3	15400PLMA01PE	OIL FILTER
3	9807955876	SPARK PLUG
1	15229	CAP, W/GUAGE
1	35480Z6L003	SWITCH, ASSY., OIL LEVEL
1	16910Z6L003	STRAINER, FUEL
1	9820043000	FUSE, MINI, 30A
1	35110ZV5V50	KEY, IGNITION

#### NOTICE

Part number on this Suggested Spare Parts list may supersede/replace the P/N shown in the text pages of this book..

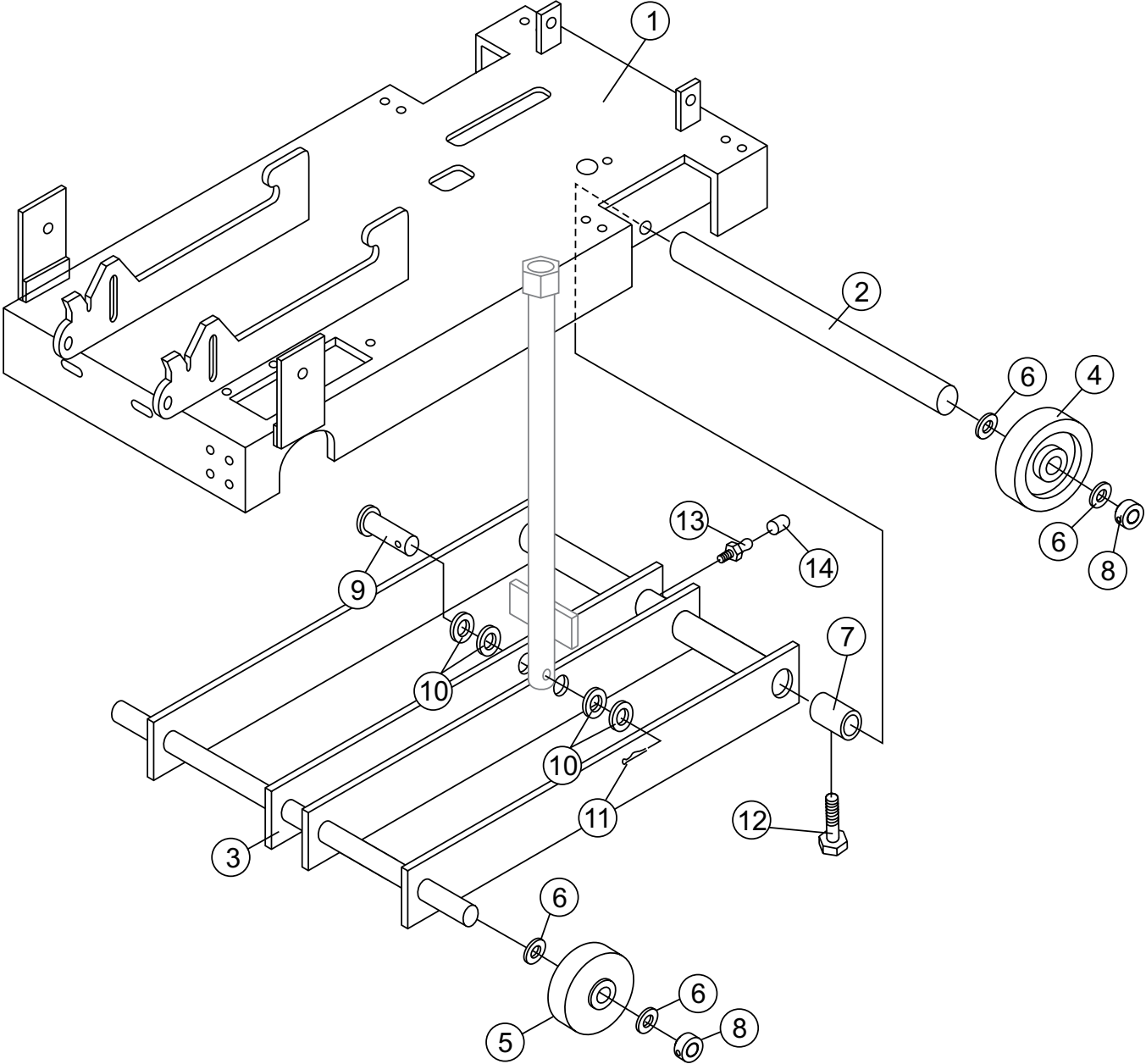




## NAMEPLATE AND DECALS

<u>NO.</u>	<u>PART NO.</u>	<u>PART NAME</u>	<u>QTY.</u>	<u>REMARKS</u>
1	23330-001	DECAL, CAUTION, BELT GUARD	2	
2	25249-001	DECAL, WARNING, KEEP HANDS CLEAR	1	
3	22122-001	DECAL, WARNING, SERIOUS INJURY	1	
4	23587	DECAL, UNLEADED GASOLINE ONLY	1	
5	35137	DECAL, WARNING, READ MANUAL	1	
6	35136	DECAL, BLADE RAISE/ LOWER	1	
7	36099	DECAL, PROTECTIVE CLOTHING	1	
8	20525	DECAL, PROP. 65, 3.25" X 4.25"	1	
9	38213	DECAL, MQ MULTIQUIP	5	
10	38224	DECAL, SP2, BLACK 5" X 3"	2	
11	35308	DECAL, GUARANTEED SOUND PWR. 114 DB.	1	
12	13118	DECAL, POWDER COATED	1	
13	25678	DECAL, CCW BLADE ROTATION	1	
14	25491	DECAL, CW BLADE ROTATION	1	
15	25867	DECAL, ROTATION DISPLACEMENT	1	
16	25260-001	DECAL, WARNING, KEEP FEET CLEAR	1	
17	28853-001	DECAL, FORWARD/REVERSE LEVER	1	
18	29736	DECAL, THROTTLE	1	
19	23596-001	DECAL, RECOMMENDED MAINTENANCE	1	
20		NAMEPLATE.....	1	.....CONTACT MQ PARTS DEPT.
21	35135	DRIVE LEVER	1	
22A	11246	DECAL, BELT DRIVE	1	
22B	11246	DECAL, CHECK OIL LEVEL	1	
22C	11246	DECAL, HOT	1	
22D	11246	DECAL, LIFTING POINT	1	
22E	11246	DECAL, LUBRICATION	2	

# UNDER CARRIAGE ASSY.

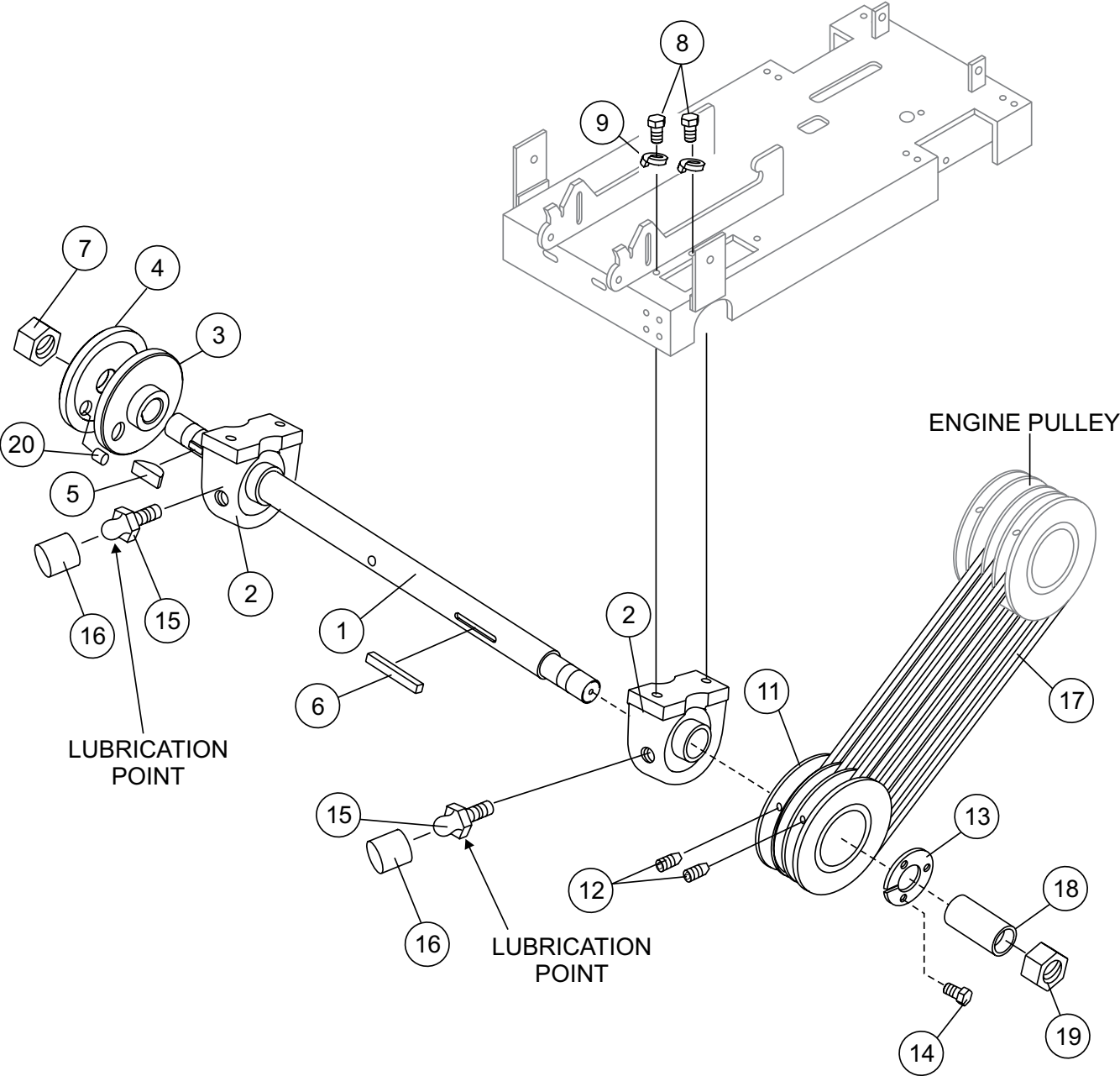


## UNDER CARRIAGE ASSY.

---

<u>NO.</u>	<u>PART NO.</u>	<u>PART NAME</u>	<u>QTY.</u>	<u>REMARKS</u>
1	28777-352	FRAME ASSY. 16"/18"/20"	1	
2	28781-002	AXLE, REAR	1	
3	28782-351	FRAME, UNDERCARRIAGEE ASSY.	1	
4	28086-001	WHEEL, 8 X 2 .75 ROLLER BEARING REAR	2	
5	28085-001	WHEEL, 5 X 2 .75 ROLLER BEARING FRONT	2	
6	8151	WASHER, FLAT SAE 3/4	8	
7	10065-090	BEARING PLAIN	2	
8	25181-001	COLLAR, SET 0.75 X 1.50 X .50, SPLIT	4	
9	8081	PIN, CLEVIS 1/2 X 2-3/4	1	
10	0447	WASHER, FLAT SAE 1/2	4	
11	2219	PIN, COTTER 1/8D X 1	1	
12	25490	SCREW, SHS 5/16-18 X 3/8	2	
13	2621	ZERK, GREASE STR. 1/4-28	1	
14	1162 A	CAP, ZERK FITTING	1	

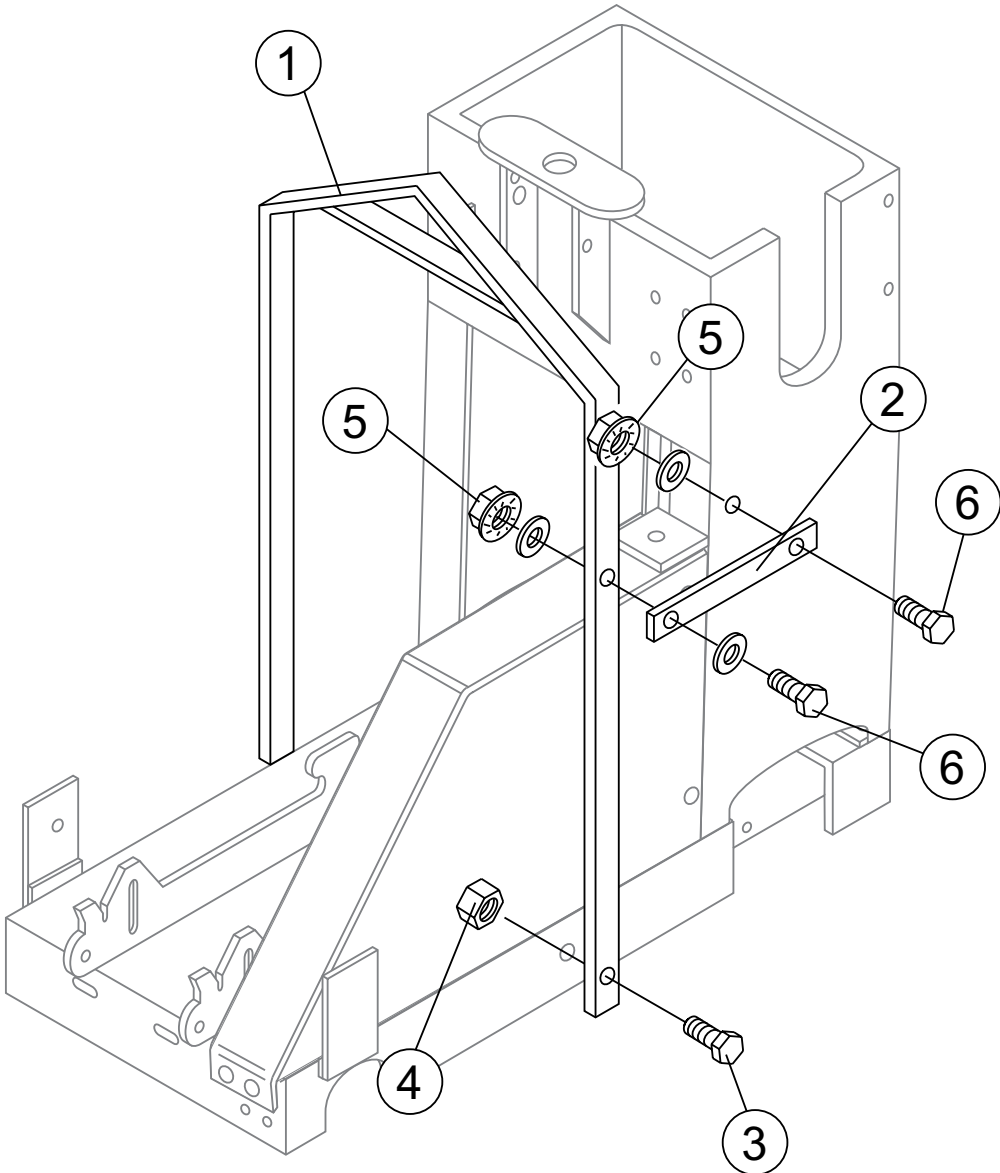
# BLADE SHAFT ASSY.



## BLADE SHAFT ASSY.

<u>NO.</u>	<u>PART NO.</u>	<u>PART NAME</u>	<u>QTY.</u>	<u>REMARKS</u>
1	28807-002	SPINDLE, BLADE	1	
2	28081-001	BEARING, PILLOW BLK 1.25ID AS206-20	2	
3	28811-002	FLANGE, BLADE INSIDE 4.0OD X 1.0ID	1	
4	26928-004	FLANGE, BLADE OUTSIDE 1.0ID X4.0OD X 56	1	
5	0125	KEY, WOODRUFF #15	1	
6	6059 B	KEY, 1/4"SQ. X 2", 1018 STOCK	1	
7	06922-003	NUT, HEX JAM LH 1-14 PLATED	1	
8	06502-012	SCREW, HHC 7/16-14 X 1-1/2	4	
9	2955	WASHER, LOCK 7/16 ZINC	4	
10	0448	WASHER, FLAT SAE 7/16	4	
11	35447	PULLEY, BLADE SHAFT, 4F3V412X1.25 .....	1.....	4 GROOVE
12	1528	SCREW, SHS	2	
13	28841-001	BUSHING, SPLIT TYPE	1	
14	0424	SCREW, 1/4-20 X 1-1/4	3	
15	2621	ZERK FITTING	2	
16	1162 A	CAP,GREASE ZERK, #2 RED	2	
17	15897	V-BELT, 3V x 355	4	
18	23250-002	SPACER, SPINDLE	1	
19	07038-016	NUT, HEX JAM 1"-14 PLATED	1	
20	24894-024	PIN, DOWEL 3/8 x 1-1/4 LG	1	

**LIFTING BALE ASSY.**

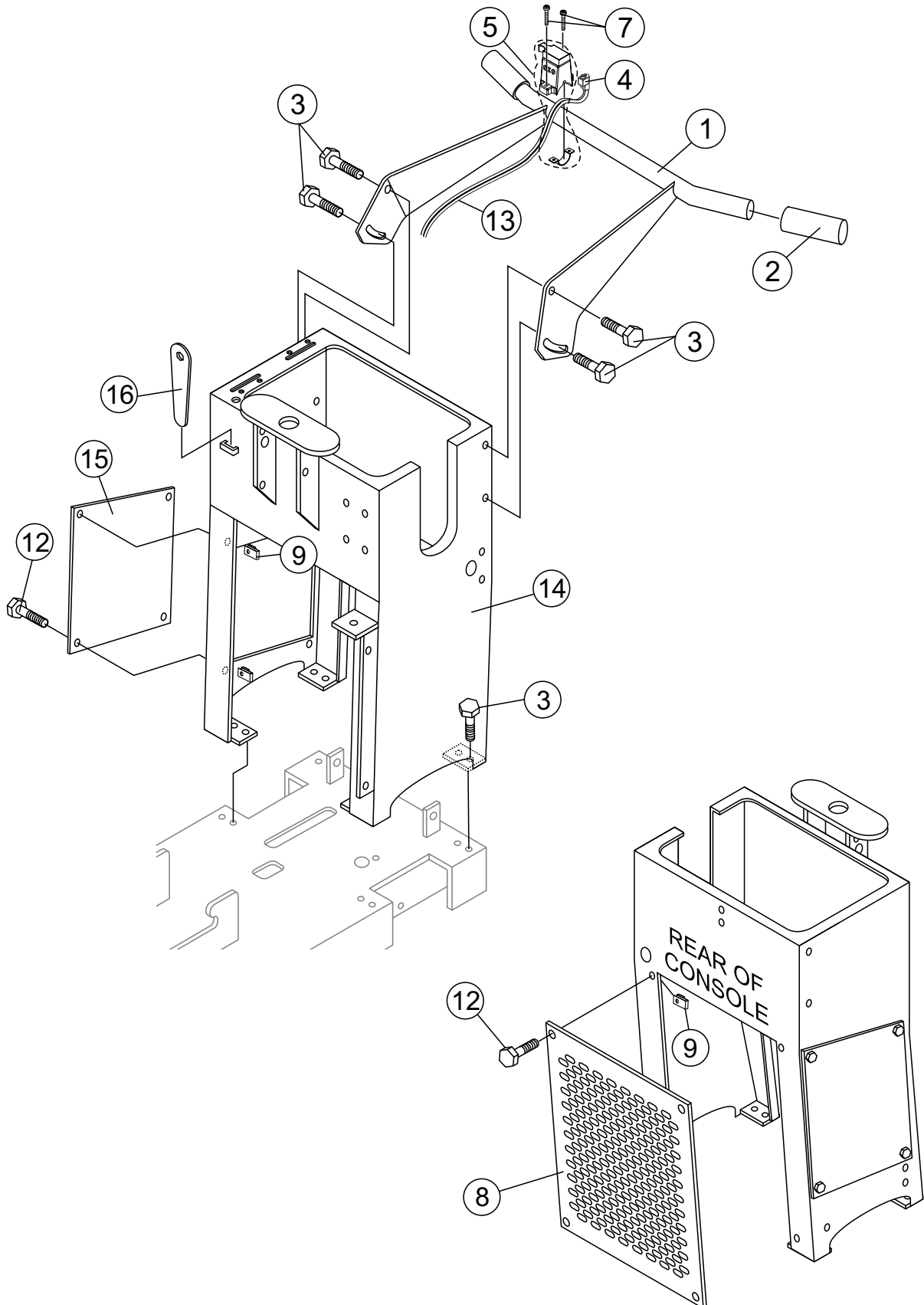


## LIFTING BALE ASSY.

---

<u>NO.</u>	<u>PART NO.</u>	<u>PART NAME</u>	<u>QTY.</u>	<u>REMARKS</u>
1	28890-351	LIFT BALE	1	
2	28893-002	BRACE, LIFT BAIL	1	
3	22106	SCREW, HHFS 3/8-16 X 1-1/4	2	
4	10133	NUT, NYLOC 3/8-16	2	
5	49071	NUT, FLANGED SERRATED PLTD 5/16-18	2	
6	9091	SCREW, HHFS 5/16-18 X 1 GR5	2	

# CONSOLE ASSY.



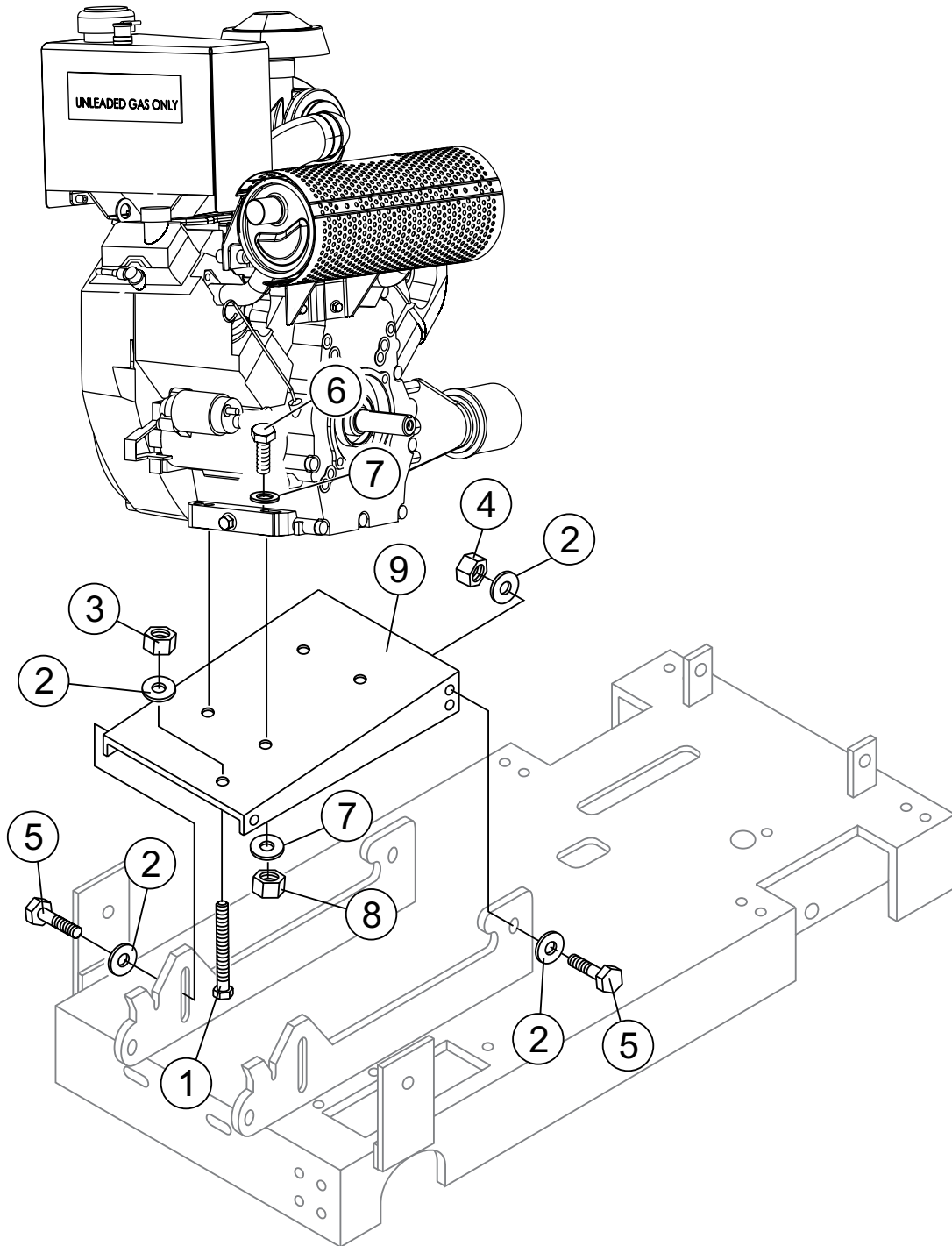


## CONSOLE ASSY.

---

<u>NO.</u>	<u>PART NO.</u>	<u>PART NAME</u>	<u>QTY.</u>	<u>REMARKS</u>
1	28796-351	HANDLE ASSY.	1	
2	15081	GRIP, 1" ID	2	
3	38274	SCREW, HHC 3/8-16 X .75	4	
4	1475	CONNECTOR SPLICE TAP	1	
5	35127	SWITCH, KILL MAGURA	1	
6	28091-401	SHIFT CONTROL ASSY.	1	
7	35299	SCREW, PHP M4-0.7X25MM	2	
8	28834-001	COVER, REAR	1	
9	19266	NUT, BLIND 1/4-20X.27-165	8	
12	49048	SCREW, HHFS 1/4-20 X 3/4 GRD 5	4	
13	35155	HARNESS, FCG KILL SWITCH	1	
14	28791-351	HOUSING ASSY.	1	
15	28805-001	COVER, CONSOLE SIDE	1	
16	29013-001	WRENCH, BOX END 1 1/2	1	

# ENGINE MOUNT ASSY.

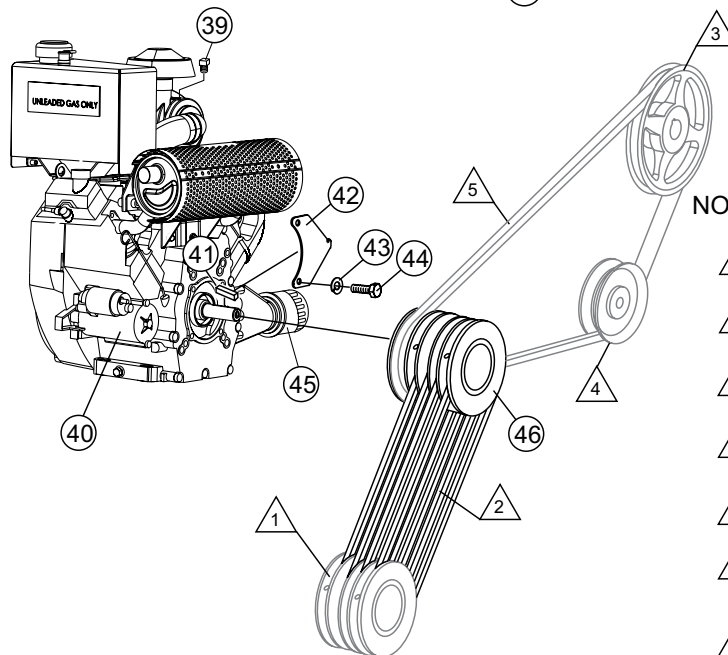
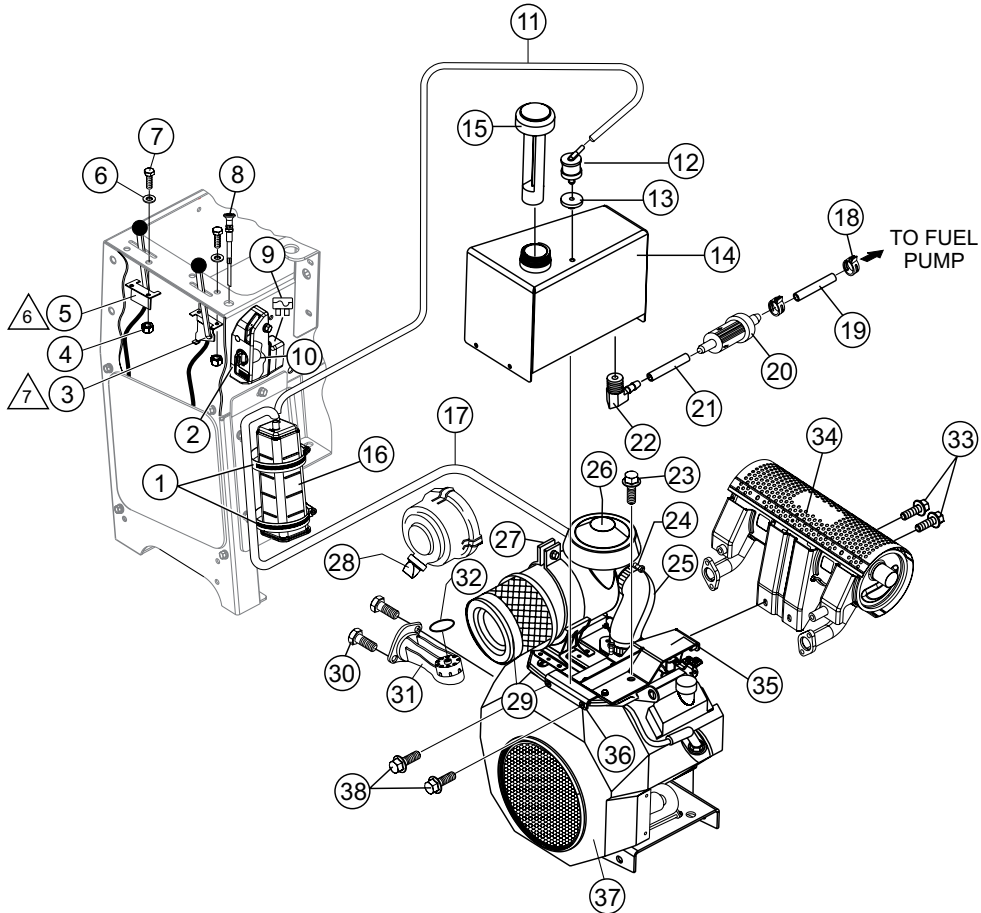


## ENGINE MOUNT ASSY.

---

<u>NO.</u>	<u>PART NO.</u>	<u>PART NAME</u>	<u>QTY.</u>	<u>REMARKS</u>
1	15868-032	SCREW, SQHS 1/2-13 X 4, CUP PLAIN	1	
2	0447	WASHER, FLAT SAE 1/2	9	
3	968011	NUT, HEX FINISH 1/2-13	1	
4	10176	NUT, NYLOC 1/2-13	4	
5	3214	SCREW, HHC 1/2-13 X 1-1/4	4	
6	9154	SCREW, HHC 3/8-16 X 1- 3/4	4	
7	10136	WASHER, FLAT SAE 3/8	8	
8	10133	NUT, NYLOC 3/8-16	4	
9	35507	ENGINE BASE ASSY.	1	

# ENGINE ASSY.



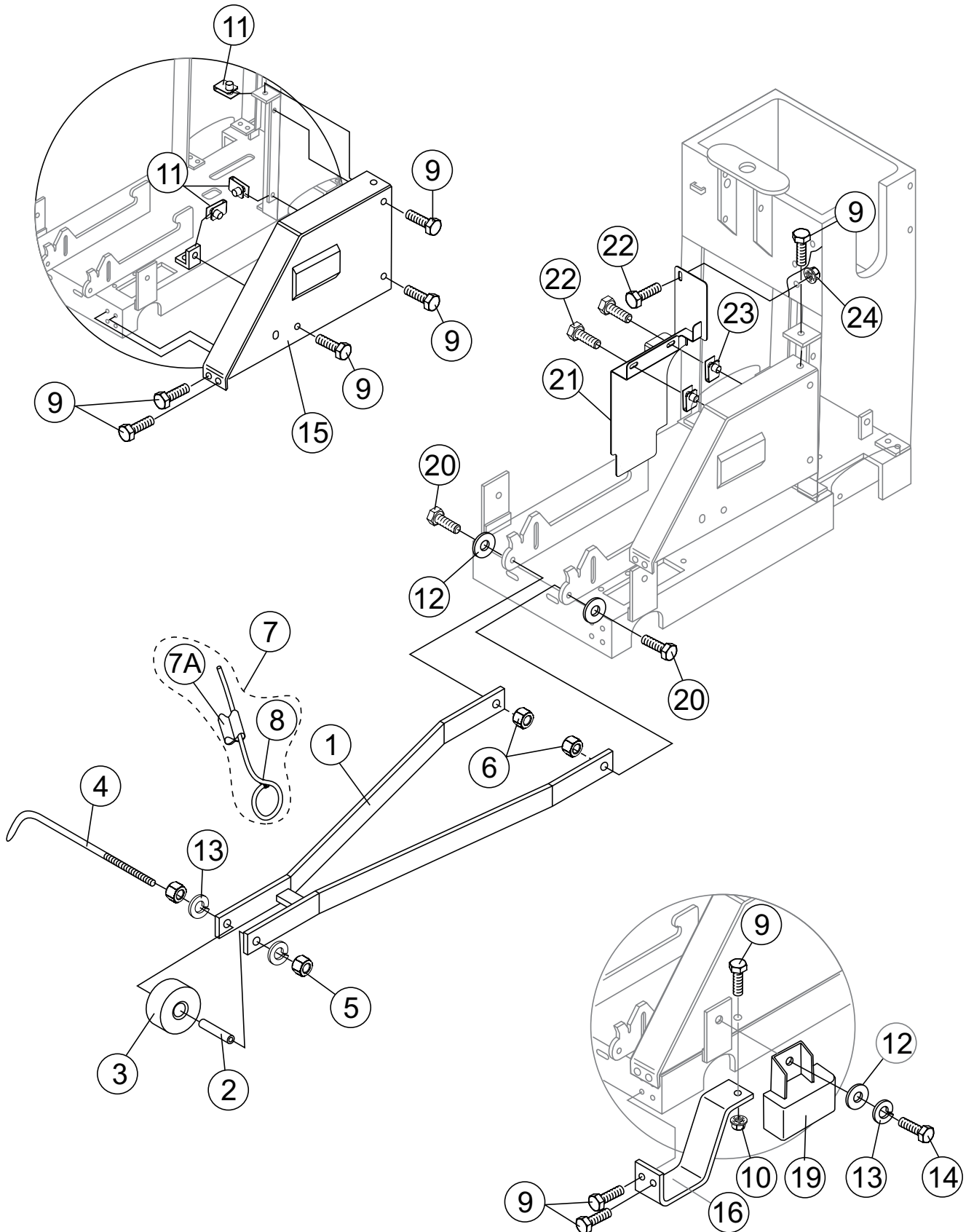
## NOTES:

- ▲ 1 SEE BLADE SHAFT ASSY., ITEM 11
- ▲ 2 SEE BLADE SHAFT ASSY., ITEM 17
- ▲ 3 SEE HYDROSTATIC DRIVE ASSY., ITEM 14
- ▲ 4 SEE HYDROSTATIC DRIVE ASSY., ITEM 15
- ▲ 5 SEE HYDROSTATIC DRIVE ASSY., ITEM 25
- ▲ 6 ITEM 5, FWD/REV CONTROL LEVER INCLUDES CABLE
- ▲ 7 ITEM 3, SPEED CONTROL LEVER INCLUDES 50 IN. (1270 MM.) CABLE

# ENGINE ASSY.

<u>NO.</u>	<u>PART NO.</u>	<u>PART NAME</u>	<u>QTY.</u>	<u>REMARKS</u>
1	12277	CLAMP, HOSE WORM #36, 1-13/16 X 2-3/4	2	
2	35110ZV5V50	KEY, IGNITION	2	
3	15168	HANDLE, CONTROL, W/KNOB AND CABLE .....	1	.... SPEED CONTROL
4	10024	NUT, NYLOC 1/4-20	4	
5	28091-401	HANDLE, CONTROL, W/KNOB AND CABLE .....	1	.... FWD./REV.
6	0948	WASHER, FLAT SAE 1/4	4	
7	0131 A	SCREW, HHC 1/4-20 X 3/4	4	
8	35280	CABLE, CHOKE CONTROL 35 IN.	1	
9	9820043000	FUSE, MINI, 30 AMP	1	
10	35100Z6L003	SWITCH ASSY., COMBINATION	1	
11	60004	HOSE, FUEL .187 D 50PSI LOW PERM	1	
12	23508	VALVE, ROLL OVER, STD CP	1	
13	23507	GROMMET, ROLL OVER VALVE	1	
14	35503	FUEL TANK W/A, 20 HON SP2	1	
15	2712	CAP, W/GAUGE 7.5", "UNLEADED", EPA	1	
16	23505	CANISTER, CARBON, 390CC	1	
17	60028	HOSE, FUEL .312 D 50PSI LOW PERM.	1	
18	950024100008	CLAMP, TUBE (D10)	2	
19	16850Z6L000	TUBE COMP. A. FUEL	1	
20	16910Z6L003	FILTER, FUEL	1	
21	60013	HOSE, FUEL .250 D 50PSI LOW PERM.	1	
22	22082	FITTING, BRASS 90 4BARB -1/4MP	1	
23	12464	SCREW, HHC M6-1.0 X 16 MM	4	
24	9501858320	BAND AIR CLEANER CONNECTING TUBE	2	
25	17251Z6L810	TUBE, AIR CLEANER CONNECTING	1	
26	17320Z6LH001377	RAIN CAP	1	
27	9501858320	BAND A/C CONNECTING TUBE	2	
28	17300Z6LP522958	VACUATOR VALVE	1	
29	17210Z6LP821575	AIR FILTER ELEMENT	1	
30	957010601600	BOLT, FLANGE, 6X16	2	
31	35480Z6L003	SWITCH, ASSY., OIL LEVEL	1	
32	91309Z6L000	O-RING 37.9 X 2.4	1	
33	2299	SCREW, HHC M8-1.25 X 16MM	2	
34	35522	MUFFLER KIT, GX630 HI LEFT, HONDA VHLM	1	
35	35517	MOUNT, FUEL TANK W/A, SP2 20 HONDA	1	
36	19266	NUT, BLIND 1/4-20 X .027-.165	2	
37	35518	ENGINE, HONDA 20HP GX630RTXF2	1	
38	49048	SCREW, HHFS 1/4-20 x 3/4 GR5	2	
39	17300Z6LP522840	PIPE PLUG	1	
39	31200Z6L003	MOTOR ASSY., STARTER	1	
41	6059 B	KEY 1/4" SQ. X 2, 1018 STOCK	1	
42	35513	BRACKET, IDLER SPRING	1	
43	0161 C	WASHER, LOCK 5/16 MED	2	
44	16105	SCREW, HHC 5/16-24 x 3/4 PLATED	2	
45	15400PLMA01PE	FILTER, OIL	2	
46	35446	PULLEY, ENG. 43V26/A30 X 1-1/8" 5 GROOVE	1	

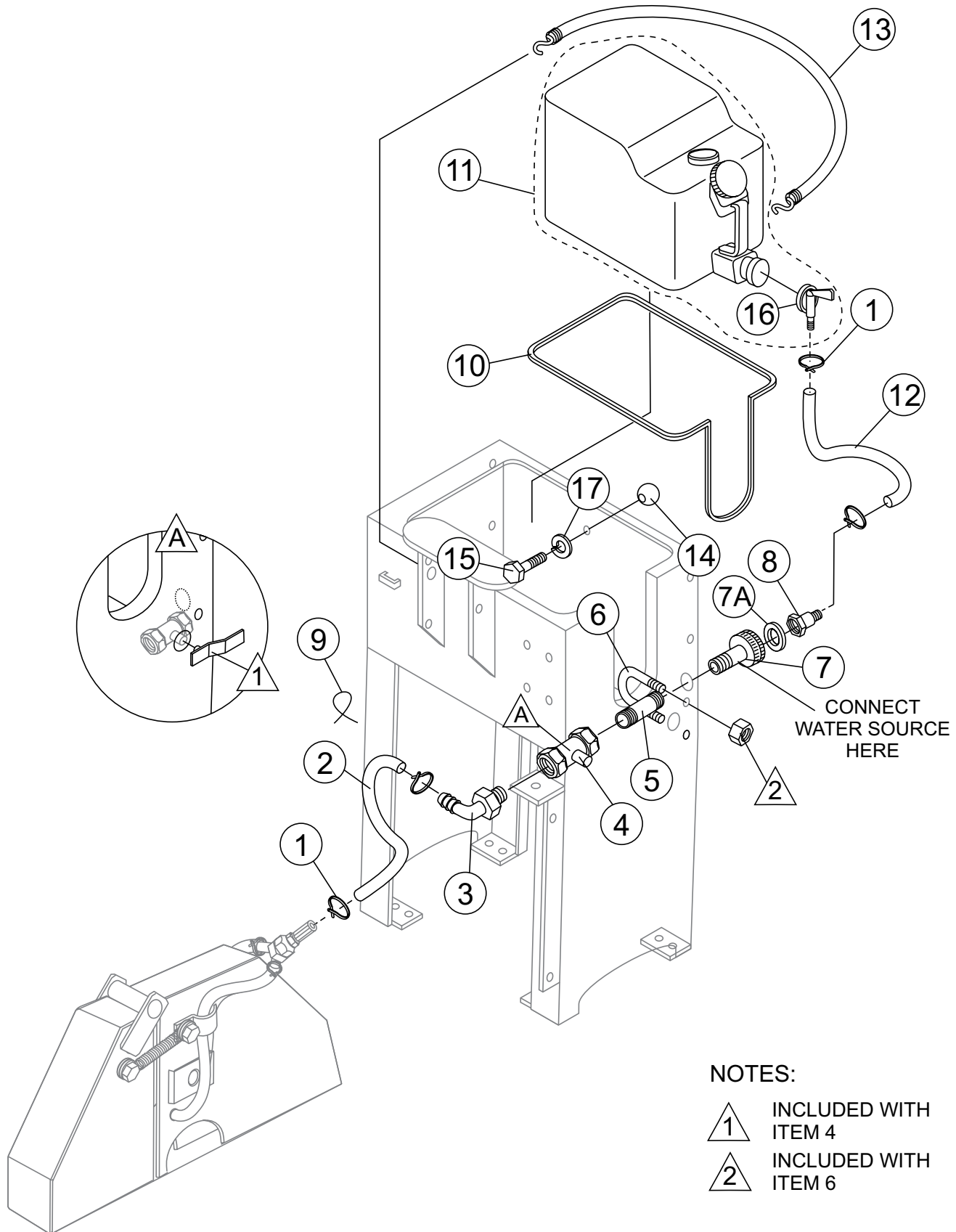
# POINTERS AND COVERS ASSY.



## POINTERS AND COVERS ASSY.

<u>NO.</u>	<u>PART NO.</u>	<u>PART NAME</u>	<u>QTY.</u>	<u>REMARKS</u>
1	28646-351	BLADE GUIDE WELDMENT	1	
2	28649-001	SPANNER BUSHING CSI	1	
3	28648-001	WHEEL, 3.00 X 1.25 .50 ID POLY CSI	1	
4	28647-001	POINTER	1	
5	1456	NUT, HEX FINISH 3/8-16	2	
6	10133	NUT, NYLOC 3/8-16	2	
7	15830	SASH, ASSY.....	2.....	INCLUDES ITEMS W/%
7A%	15114	SLEEVE, SASH	2	
8%	60087	ROPE, 1/4" NYLON, BRAIDED, WHITE 8' .....	1.....	8 FT. REQUIRED
9	36720	SCREW, HHFS 5/16-18 X 3/4 GR5	9	
10	49071	NUT, FLANGED 5/16-16 X 1-1/4" GR. 5	1	
11	35358	PALNUT, U, 5/16-18 X .05/.20 PANEL	3	
12	10136	WASHER, FLAT SAE 3/8	4	
13	0166 A	WASHER, LOCK 3/8 MED.	2	
14	0205	SCREW, HHC 3/8-16 X 1.0	3	
15	35511	BELT GUARD, SP2 20 HONDA	1	
16	28835-001	GUARD, PULLEY	1	
19	29745-554	SPINDLE GUARD ASSY. - RED	1	
20	1023	SCREW, HHC 3/8-16 X 1-1/4 GR5	7	
21	35509	GUARD, BELT	1	
22	49048	SCREW HHFS 1/4-20X3/4 GR.5	3	
23	11534	NUT, "U" TYPE, 1/4-20	2	
24	49070	NUT, FLANGED 1/4-20 SERRATED PLTD	1	

# WATER SYSTEM ASSY.

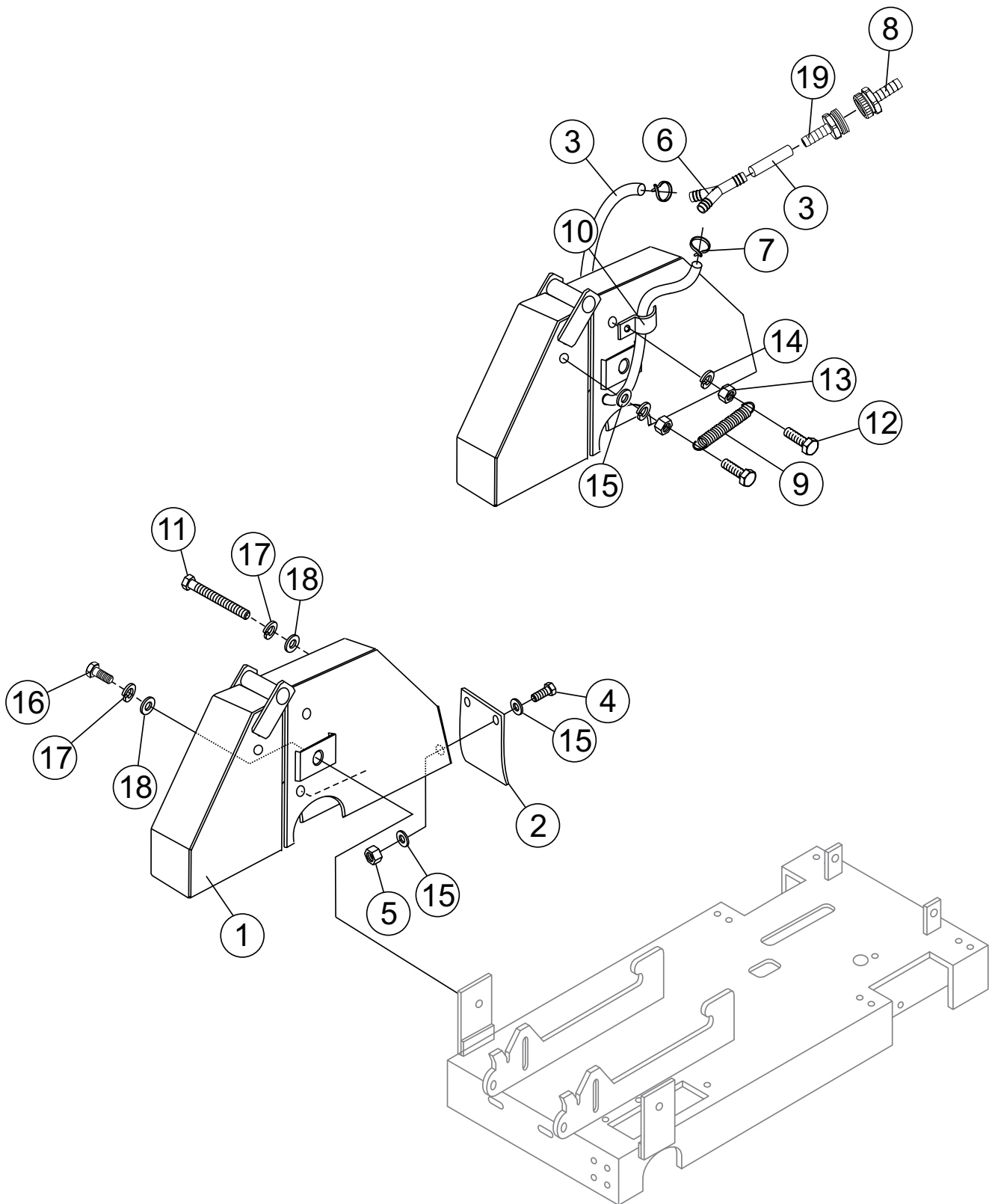




## WATER SYSTEM ASSY.

<u>NO.</u>	<u>PART NO.</u>	<u>PART NAME</u>	<u>QTY.</u>	<u>REMARKS</u>
1	12694-008	HOSE CLAMP, SPRING TYPE 7/8 O.D HOSE	4	
2	60088	HOSE, PVC BRAIDED .5 I.D. X .75 O.D.	1	
3	23566-001	FITTING, PLASTIC 90 1/2MP X 1/2BARB	1	
4	23259-001	VALVE, BALL 1/2 MPT BRASS NIBCO T585-70	1	
5	23254-001	FITTING, NIPPLE 1/2MP X 2 GALV.	1	
6	2399	U-BOLT 1" I.D. PLTD. W/NUTS	1	
7	15544	FITTING, BRASS 1/2FP-3/4F GRDN., STR	1	
7A	13336-001	WASHER, GARDEN HOSE	1	
8	24778-001	FITTING, BRASS 1/2 BARB X 3/4 GRDN	1	
9	1662	TIE, CABLE TY-RAP BLACK	2	
10	28861-501	TRIM, WATER TANK RUBBER	1	
11	28089-001	TANK, WATER ASSY., 5 GAL. ....	1.....	INCLUDES ITEM W/ *
12	60002	HOSE, PVC CLEAR, .375 X .5 X 1.58"	2	
13	28862-001	CORD, TANK RETAINER	1	
14	28860-001	KNOB	1	
15	1579	HHCS 1/4-20 x 1/2	1	
16*	28089-002	VALVE, WATER TANK (SPIGOT ONLY)	1	
17	0181 B	WASHER, LOCL 1/4" MEDIUM	1	

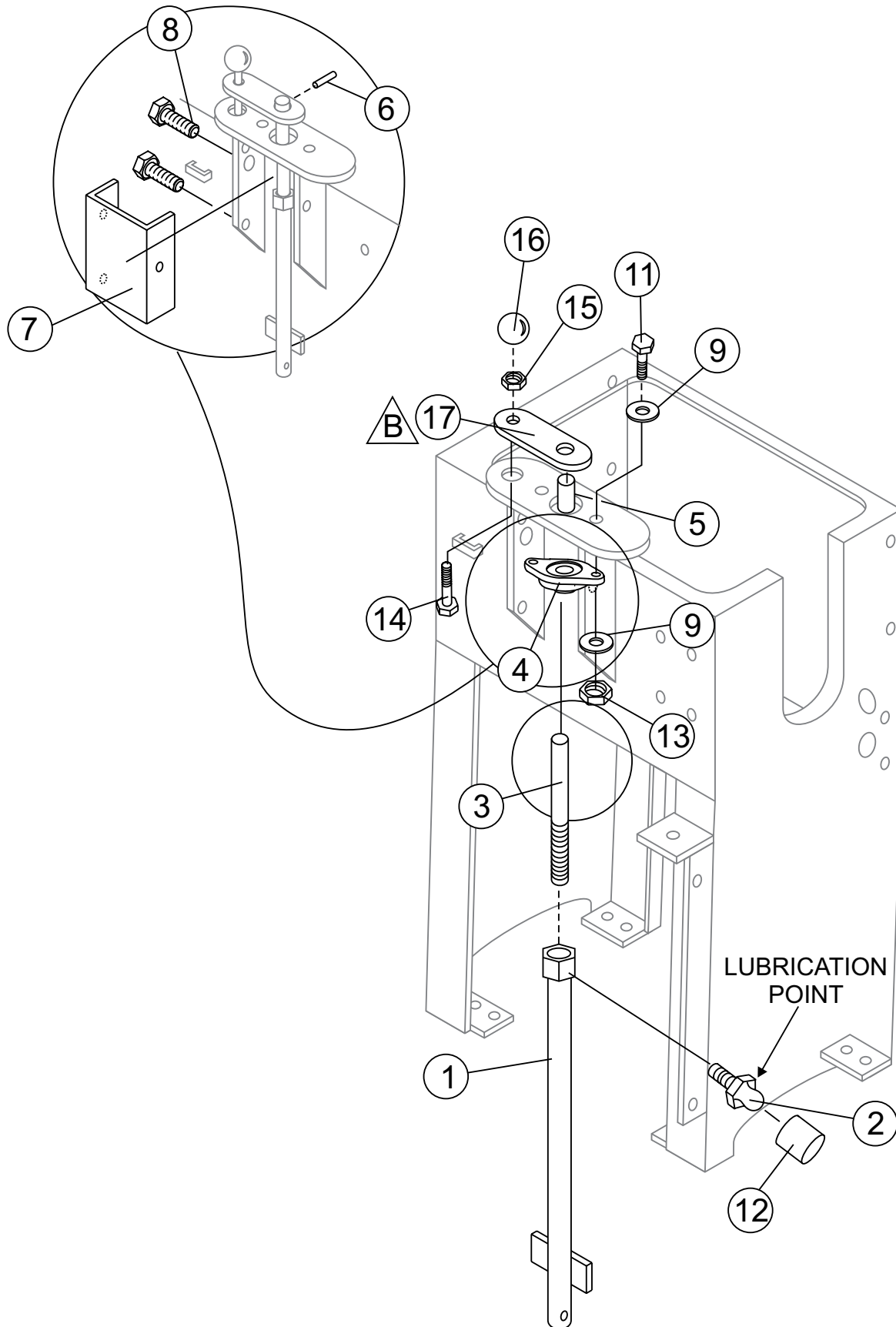
# BLADE GUARD ASSY.



## BLADE GUARD ASSY.

<u>NO.</u>	<u>PART NO.</u>	<u>PART NAME</u>	<u>QTY.</u>	<u>REMARKS</u>
1	29406-354	BLADE GUARD ASSY., SP20" .....	1.....	SAFETY ITEM
2	28729-002	GUARD, SPLASH BLADE	1	
3	60021	HOSE, 3/8ID X 5/8 OD BRAIDED PVC "PAC" .....	3.....	1 PIECE = 1FT.
4	49048	SCREW, HHFS 1/4-20 X 3/4 GR5	2	
5	10024	NUT, NYLOC 1/4-20	2	
6	14233-004	FITTING, PLASTIC Y 6 BARB USP 64016	1	
7	12694-006	HOSE CLAMP, SPRING TYPE 3/4 O.D. HOSE	2	
8	24778-001	FITTING, BRASS 1/2BARB X 3/4F GRDN	1	
9	18626-001	SPRING TENSION, GUARD BLADE	2	
10	22129-001	PIPE STRAP 3/8	2	
11	21168	SCREW, HHC 3/8-16 X 4.75	1	
12	0424	SCREW, HHC 1/4-20 X 1 1/4	4	
13	0949	NUT, HEX FINISH 1/4-20 PLATED	4	
14	0181 B	WASHER, LOCK 1/4 MED.	4	
15	0948	WASHER, FLAT SAE 1/4	6	
16	38274	SCREW, HHFS 3/8-16 X .75 ZINC	1	
17	0166 A	WASHER, LOCK 3/8 MED.	2	
18	10136	WASHER, FLAT SAE 3/8	2	
19	28876-001	FITTING, BRASS 3/8BARBx 3/4M GRDN	1	

# MANUAL RAISE AND LOWER ASSY. (20 IN.)

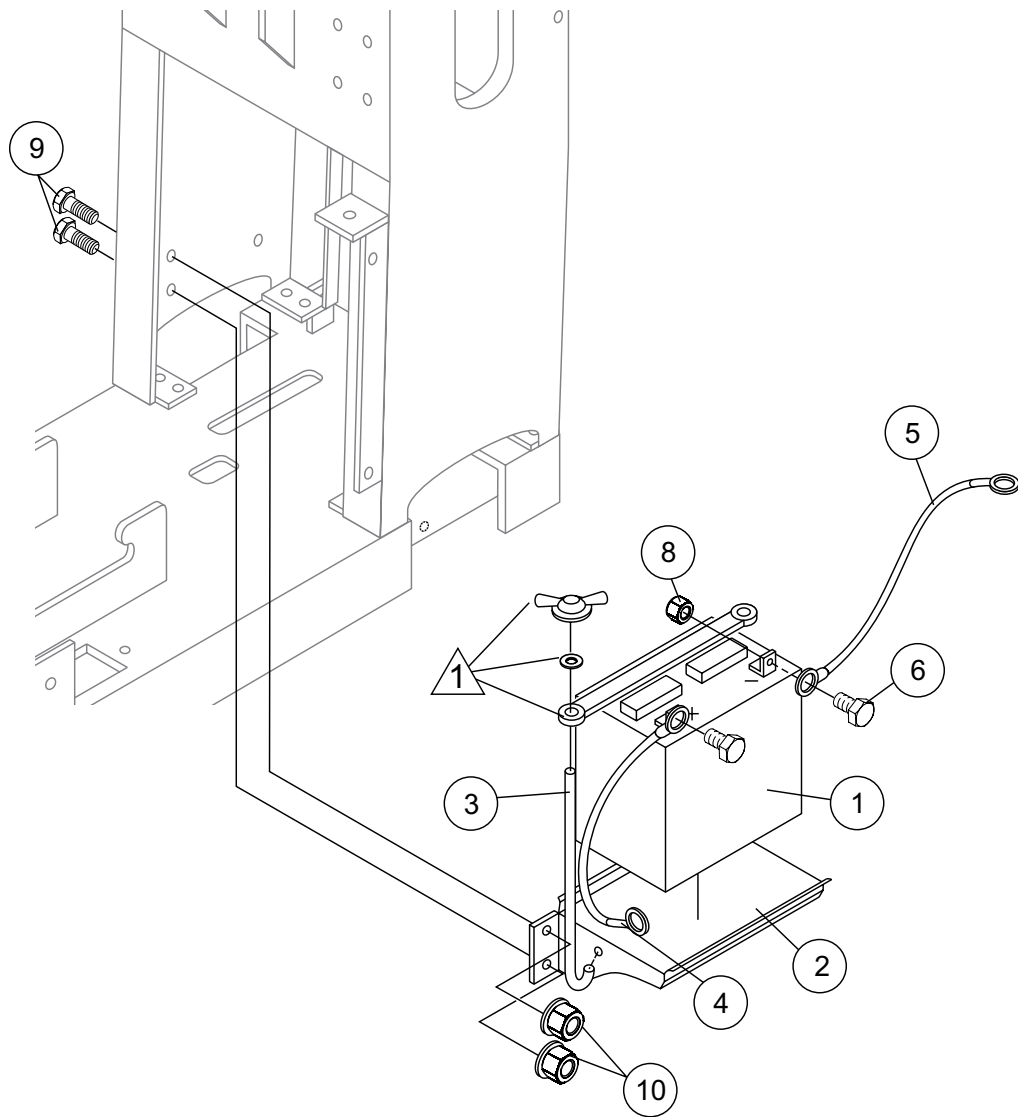


## MANUAL RAISE AND LOWER ASSY. (20 IN.)


---

<u>NO.</u>	<u>PART NO.</u>	<u>PART NAME</u>	<u>QTY.</u>	<u>REMARKS</u>
1	28793-352	JACKPOST ASSY.	1	
2	2621	ZERK, GREASE STR. 1/4-28	1	
3	28806-001	JACKSCREW	1	
4	28083-001	BEARING, FLANGE	1	
5	28809-001	SPACER, JACKSCREW	1	
6	4568	PIN, ROLL 3/16 X 1	1	
7	28877-351	SCREW COVER ASSY., RED	1	
8	49048	SCREW, HHFS 1/4-20 X 3/4 GR5	3	
9	0948	WASHER, FLAT SAE 1/4	4	
11	0424	SCREW, HHC 1/4-20 X 1	2	
12	1162 A	CAP,GREASE ZERK, #2	1	
13	10024	NUT, NYLOC 1/4-20	2	
14	1121	SCREW, HHC 3/8-16 X 2 3/4	1	
15	1876	NUT, HEX JAM 3/8-16 CLASS 2B	1	
16	4403	KNOB, SHIFT	1	
17	28808-002	ARM-CRANK	1	

# BATTERY ASSY.



## NOTES:

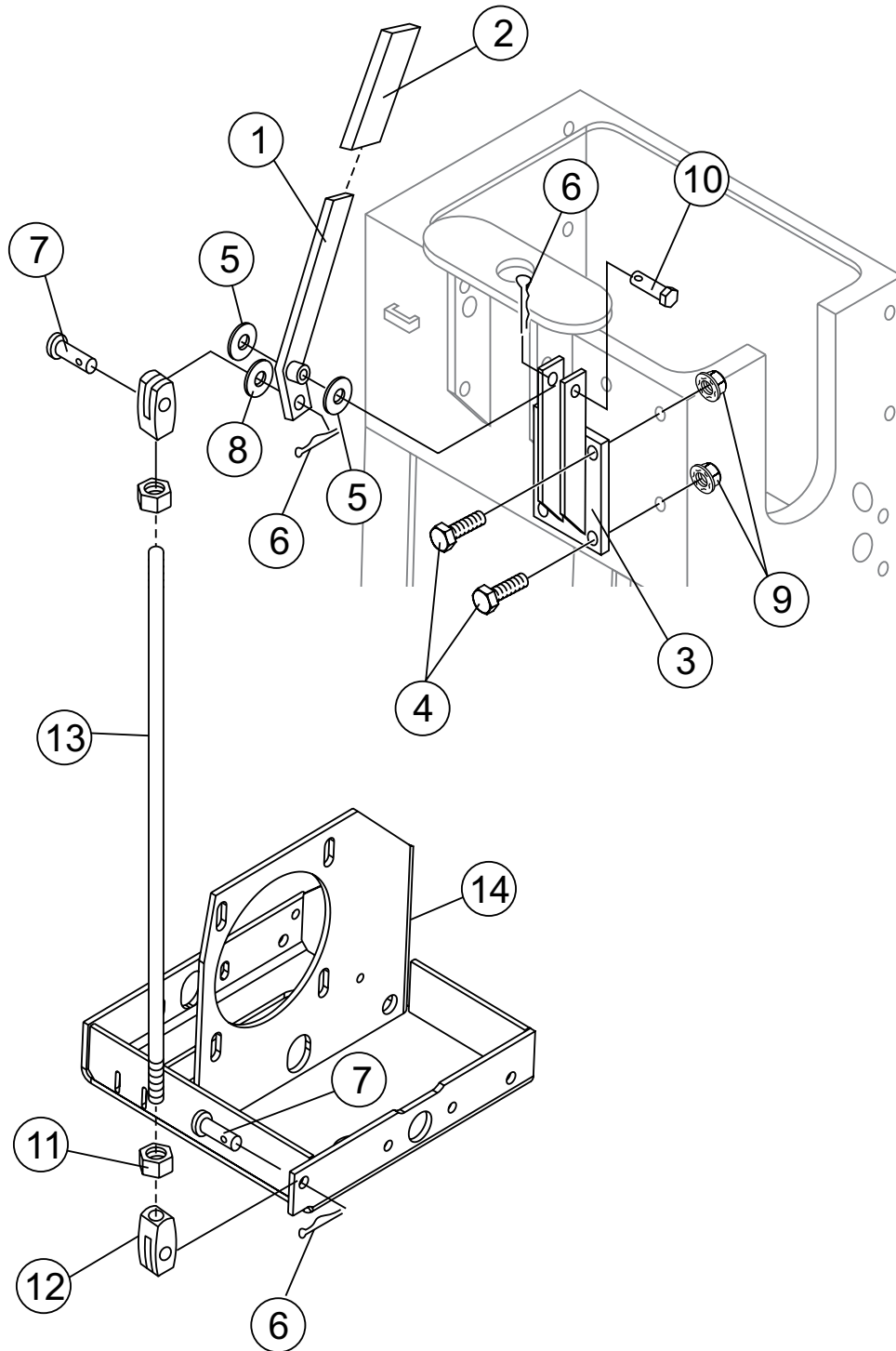
 INCLUDED WITH  
ITEM 3

## **BATTERY ASSY.**

---

<b><u>NO.</u></b>	<b><u>PART NO.</u></b>	<b><u>PART NAME</u></b>	<b><u>QTY.</u></b>	<b><u>REMARKS</u></b>
1	4671	BATTERY, WET GR.U1, GT-X GOLD LA	1	
2	28096-001	BRACKET BATTERY	1	
3	28095-401	BATTERY HOLD DOWN KIT 425-405	1	
4	28093-001	CABLE, BATTERY POS 6GA X 42" RING TONGUE	1	
5	28094-001	STRAP, GROUND	1	
6	49048	SCREW, HHFS 1/4-20 X 3/4 GR5	2	
7	49070	NUT, BATTERY DISCONNECT	1	
8	0949	NUT, FLANGED SERRATED PLTD. 1/4-20 X 3/4	2	
9	36720	SCREW, HHFS 5/16-18 X 3/4 GR5	3	
10	49071	NUT, FLANGED SERRATED PLTD. 5/16-18	3	

# TRANSMISSION ENGAGE LEVER ASSY.



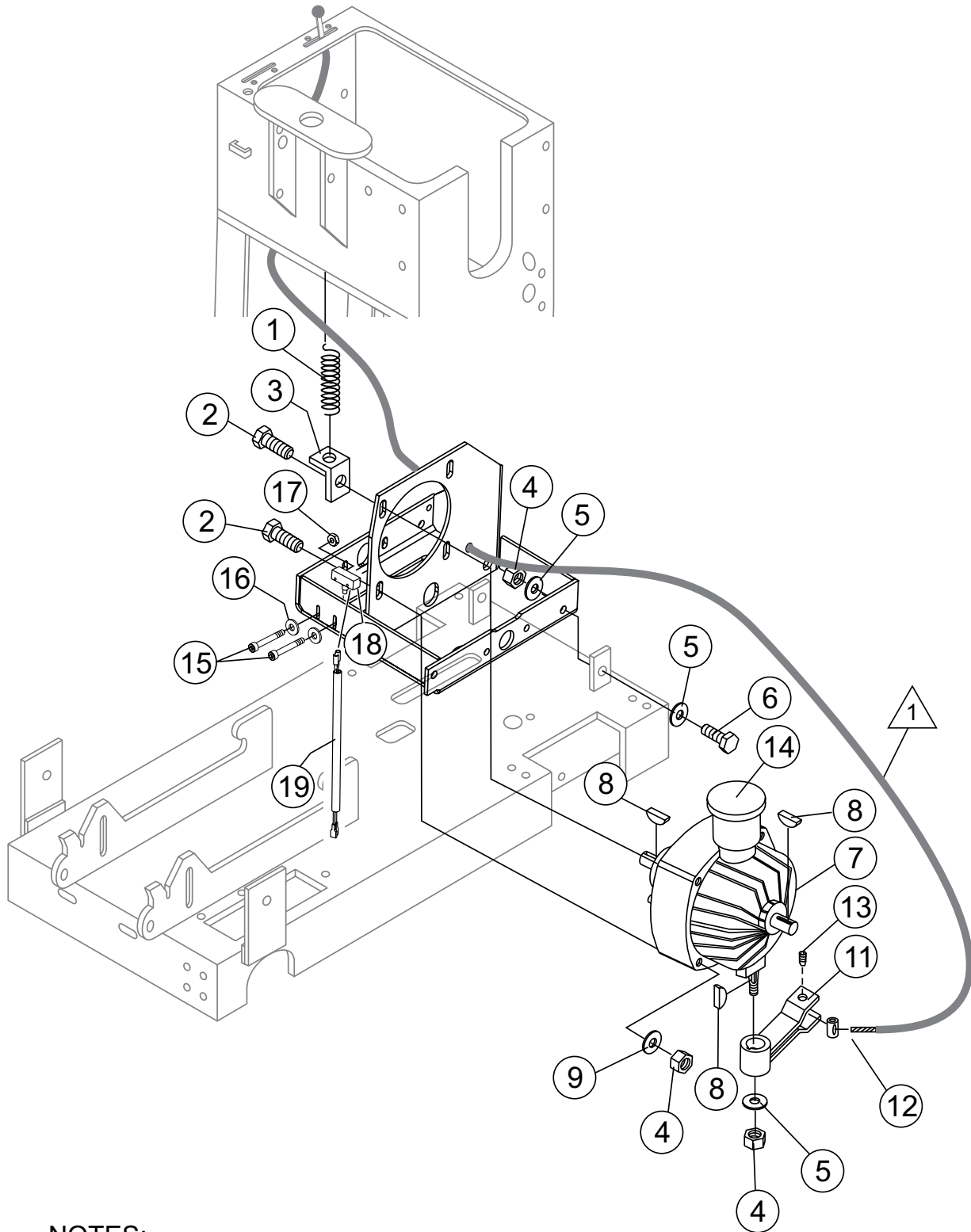


## **TRANSMISSION ENGAGE LEVER ASSY.**

---

<b><u>NO.</u></b>	<b><u>PART NO.</u></b>	<b><u>PART NAME</u></b>	<b><u>QTY.</u></b>	<b><u>REMARKS</u></b>
1	28825-351	LEVER ASSY. TRANS. ENGAGE	1	
2	3360	GRIP, 1/4 X 1 BLACK	1	
3	36720	MOUNT ASSY., LEVER RED	1	
4	0655	SCREW, HHFS 5/16-18 X 3/4 GR5	4	
5	10136	WASHER, FLAT SAE 3/8	6	
6	6014 B	PIN, COTTER 3/32D X 1.0	1	
7	5291	PIN, CLEVIS 3/8	2	
8	0300 B	WASHER, FLAT SAE 5/16	2	
9	49071	NUT, FLANGED SERRATED PLTD 5/16-18	8	
10	08326-019	PIN, CLEVIS 3/8 X 2" USEABLE LENGHT	1	
11	2199	NUT, HEX JAM 3/8-24	2	
12	08327-012	YOKE END, 3/8-24 X 2.50	2	
13	28830-001	ROD, TRANS. ENGINE	1	
14	28819-351	TRANS. BRACKET ASSY.	1	

# HYDROSTATIC TRANSMISSION ASSY.



## NOTES:

- △ 1 FORWARD/REVERSE CABLE ASSY.  
INCLUDED WITH SHIFT CONTROL  
LEVER ITEM 5, ENGINE ASSY.

## HYDROSTATIC TRANSMISSION ASSY.

<u>NO.</u>	<u>PART NO.</u>	<u>PART NAME</u>	<u>QTY.</u>	<u>REMARKS</u>
1	20559-001	SPRING, EXT. 3.38FL X 71OD X .105	1	
2	1493	SCREW, HHC 3/8-18 X 3.25	4	
3	28836-001	LINK, RETURN SPRING	1	
4	10133	NUT, NYLOC 3/8-16	6	
5	10136	WASHER, FLAT SAE 3/8	7	
6	1023	SCREW, HHC 3/8-16 X 1 1/4 GR 5	2	
7	15354	TRANSMISSION, HYD EATON	1	
8	1578	KEY, WOODRUFF #3	2	
9	4001	WASHER, FLAT USS 3/8 PLD	4	
10	1456	NUT, HEX FINISH 3/8-16	4	
11	28828-351	SHIFT ARM ASSY.	1	
12	28829-001	PIN, PIVOT	2	
13	10450	SCREW, SHS 10-32 X 1/4	1	
14	103530-000	CAP, TRANSMISSION	1	
15	923199	SCREW, SHC 8-32 X 1-1/4	2	
16	15173	WASHER, FLAT, #8	2	
17	13287	NUT, NYLOC 8-32	2	
18	2584	SWITCH, PUSH BUTTON	1	
19	35525	HARNES, NEUTRAL SWITCH, SP2S20H	1	



## HYDROSTATIC DRIVE ASSY.

<u>NO.</u>	<u>PART NO.</u>	<u>PART NAME</u>	<u>QTY.</u>	<u>REMARKS</u>
1	23227-001	SPROCKET, TRANSMISSION 12 TOOTH MACH	1	
2	25039	SCREW, SHS 10-24 X 1/4	2	
3	19371-023	CHAIN, ROLLER ANSI STANDARD	1	
4	10504-035	LINK, CHAIN	1	
5	49071	NUT, FLANGED SERRATED PLTD, 5/16-18	2	
6	28084-001	SPROCKET, 3548 X 3/4	1	
7	0126	KEY, WOODRUFF #9	3	
8	28832-001	JACKSHAFT	1	
9	23284-001	BEARING, FLANGE .34SQ x 3/4ID	2	
10	25354	SCREW, SHS 1/4-20 X 1/2 HOLOKROME	1	
11	9091	SCREW, HHFS 5/16-18 X 1 GR5	2	
12	28831-001	GEAR, DRIVE	2	
13	1578	KEY, WOODRUFF #3	3	
14	28087-001	PULLEY, MA60 X 17MM	1	
15	25682-001	IDLER PULLEY	1	
16	1665	SCREW, HHC 3/8-16 X 2	1	
17	10136	WASHER, FLAT SAE 3/8	1	
18	10133	NUT, NYLOC 3/8-16	3	
19	23303-001	IDLER ARM	1	
20	23230-001	SPRING EXT. IDLE	1	
21	1284	SCREW, HHC 3/8-16 X 1 1/2	1	
22	18574-004	WASHER, BELLEVILLE 3/8	1	
23	28864-001	WASHER, FIBRE	1	
25	07055-051	V-BELT, TRANSMISSION 4L510	1	
26	0130 A	SCREW, SHS 1/4 X 20 X 1/4	4	
27	60091	LOCTITE, BLUE #242	1	
28	1456	NUT, HEX FINISH 3/8-1	1	

# TERMS AND CONDITIONS OF SALE — PARTS

## PAYMENT TERMS

Terms of payment for parts are net 30 days.

## FREIGHT POLICY

All parts orders will be shipped collect or prepaid with the charges added to the invoice. All shipments are F.O.B. point of origin. Multiquip's responsibility ceases when a signed manifest has been obtained from the carrier, and any claim for shortage or damage must be settled between the consignee and the carrier.

## MINIMUM ORDER

The minimum charge for orders from Multiquip is \$15.00 net. Customers will be asked for instructions regarding handling of orders not meeting this requirement.

## RETURNED GOODS POLICY

Return shipments will be accepted and credit will be allowed, subject to the following provisions:

1. A Returned Material Authorization must be approved by Multiquip prior to shipment.
2. To obtain a Return Material Authorization, a list must be provided to Multiquip Parts Sales that defines item numbers, quantities, and descriptions of the items to be returned.
  - a. The parts numbers and descriptions must match the current parts price list.
  - b. The list must be typed or computer generated.
  - c. The list must state the reason(s) for the return.
  - d. The list must reference the sales order(s) or invoice(s) under which the items were originally purchased.
  - e. The list must include the name and phone number of the person requesting the RMA.
3. A copy of the Return Material Authorization must accompany the return shipment.
4. Freight is at the sender's expense. All parts must be returned freight prepaid to Multiquip's designated receiving point.

5. Parts must be in new and resalable condition, in the original Multiquip package (if any), and with Multiquip part numbers clearly marked.
6. The following items are not returnable:
  - a. Obsolete parts. (If an item is in the price book and shows as being replaced by another item, it is obsolete.)
  - b. Any parts with a limited shelf life (such as gaskets, seals, "O" rings, and other rubber parts) that were purchased more than six months prior to the return date.
  - c. Any line item with an extended dealer net price of less than \$5.00.
  - d. Special order items.
  - e. Electrical components.
  - f. Paint, chemicals, and lubricants.
  - g. Decals and paper products.
  - h. Items purchased in kits.
7. The sender will be notified of any material received that is not acceptable.
8. Such material will be held for five working days from notification, pending instructions. If a reply is not received within five days, the material will be returned to the sender at his expense.
9. Credit on returned parts will be issued at dealer net price at time of the original purchase, less a 15% restocking charge.
10. In cases where an item is accepted, for which the original purchase document can not be determined, the price will be based on the list price that was effective twelve months prior to the RMA date.
11. Credit issued will be applied to future purchases only.

## PRICING AND REBATES

Prices are subject to change without prior notice. Price changes are effective on a specific date and all orders received on or after that date will be billed at the revised price. Rebates for price declines and added charges for price increases will not be made for stock on hand at the time of any price change.

Multiquip reserves the right to quote and sell direct to Government agencies, and to Original Equipment Manufacturer accounts who use our products as integral parts of their own products.

## SPECIAL EXPEDITING SERVICE

A \$35.00 surcharge will be added to the invoice for special handling including bus shipments, insured parcel post or in cases where Multiquip must personally deliver the parts to the carrier.

## LIMITATIONS OF SELLER'S LIABILITY

Multiquip shall not be liable hereunder for damages in excess of the purchase price of the item with respect to which damages are claimed, and in no event shall Multiquip be liable for loss of profit or good will or for any other special, consequential or incidental damages.

## LIMITATION OF WARRANTIES

No warranties, express or implied, are made in connection with the sale of parts or trade accessories nor as to any engine not manufactured by Multiquip. Such warranties made in connection with the sale of new, complete units are made exclusively by a statement of warranty packaged with such units, and Multiquip neither assumes nor authorizes any person to assume for it any other obligation or liability whatever in connection with the sale of its products. Apart from such written statement of warranty, there are no warranties, express, implied or statutory, which extend beyond the description of the products on the face hereof.

Effective: February 22, 2006



# PARTS MANUAL

## HERE'S HOW TO GET HELP

PLEASE HAVE THE MODEL AND SERIAL  
NUMBER ON-HAND WHEN CALLING

### UNITED STATES

#### ***Multiquip Corporate Office***

18910 Wilmington Ave.  
Carson, CA 90746  
Contact: mq@multiquip.com

Tel: (800) 421-1244  
Fax (800) 537-3927

#### ***Service Department***

800-421-1244  
310-537-3700

Fax: 310-537-4259

#### ***Technical Assistance***

800-478-1244

Fax: 310-943-2238

#### ***MQ Parts Department***

800-427-1244  
310-537-3700

Fax: 800-672-7877  
Fax: 310-637-3284

#### ***Warranty Department***

800-421-1244  
310-537-3700

Fax: 310-943-2249

### MEXICO

#### ***MQ Cipsa***

Carr. Fed. Mexico-Puebla KM 126.5  
Momoxpan, Cholula, Puebla 72760 Mexico  
Contact: pmastretta@cipsa.com.mx

Tel: (52) 222-225-9900  
Fax: (52) 222-285-0420

### CANADA

#### ***Multiquip***

4110 Industriel Boul.  
Laval, Quebec, Canada H7L 6V3  
Contact: jmartin@multiquip.com

Tel: (450) 625-2244  
Tel: (877) 963-4411  
Fax: (450) 625-8664

### UNITED KINGDOM

#### ***Multiquip (UK) Limited Head Office***

Unit 2, Northpoint Industrial Estate,  
Globe Lane,  
Dukinfield, Cheshire SK16 4UJ  
Contact: sales@multiquip.co.uk

Tel: 0161 339 2223  
Fax: 0161 339 3226

© COPYRIGHT 2012, MULTIQUIP INC.

Multiquip Inc, the MQ logo and the Whiteman logo are registered trademarks of Multiquip Inc. and may not be used, reproduced, or altered without written permission. All other trademarks are the property of their respective owners and used with permission.

This manual MUST accompany the equipment at all times. This manual is considered a permanent part of the equipment and should remain with the unit if resold.

The information and specifications included in this publication were in effect at the time of approval for printing. Illustrations, descriptions, references and technical data contained in this manual are for guidance only and may not be considered as binding. Multiquip Inc. reserves the right to discontinue or change specifications, design or the information published in this publication at any time without notice and without incurring any obligations.

Your Local Dealer is:



**PN: 35524**



## Free Manuals Download Website

<http://myh66.com>

<http://usermanuals.us>

<http://www.somanuals.com>

<http://www.4manuals.cc>

<http://www.manual-lib.com>

<http://www.404manual.com>

<http://www.luxmanual.com>

<http://aubethermostatmanual.com>

Golf course search by state

<http://golfingnear.com>

Email search by domain

<http://emailbydomain.com>

Auto manuals search

<http://auto.somanuals.com>

TV manuals search

<http://tv.somanuals.com>