

Pneumatic Valves for Fuel Gas Shutoff

PV-94129B
Revised 04-00
Catalog Section 55
(00-02-0126)



Models M2582-P and M5180-P

- Pneumatically Open and Shut Off Fuel Gas Automatically or Semi-automatically
- Pneumatic Control Pressure Can Be Air, Gas or Oil
- Models for 2 in. or 1 in. (51 mm or 25 mm) Fuel Gas Lines

Description

The M2582-P and M5180-P are pneumatically controlled fuel shut-off valves that open and close automatically or semi-automatically. The pneumatic control pressure can be air, oil or gas. A manual lever aids in opening the valve when control pressure is insufficient. A gas escape vent, when properly vented and maintained, releases trapped gas from the valve after shutoff.

Basic Operation

Automatic: As the control pressure/vacuum increases the valve will open. When the control pressure/vacuum decreases, the valve will close.

Semi-Automatic: If the control pressure/vacuum is too low and the valve does not open automatically, it can be opened manually by lifting the built-in lever arm and setting the latch. The latch resets automatically when control pressure rises enough to release it.

M2582-P is for 1 in. (25 mm) gas lines. It automatically opens at 2 psi (14 kPa) [.14 bar] and fully opens the seat at 3 psi (21 kPa) [.21 bar]. The valve can be manually opened with the lever and latch against inlet pressure of 80 psi (552 kPa) [5.52 bar]. The latch will release after pilot pressure reaches 2.5 psi (17 kPa) [.17 bar].

The M5180-P is for 2 in. (52 mm) gas lines. It automatically opens at 2 psi (14 kPa) [.14

bar] and fully opens the seat at 3 psi (21 kPa) [.21 bar]. The valve can be manually opened with lever and latched against inlet pressure of 100 psi (689 kPa) [6.89 bar]. The latch will release after pilot pressure reaches 2.5 psi (17 kPa) [.17 bar].

Specifications

Valve Body: Sandcast aluminum

(alodined for corrosion resistance).

Optional steel body available on M5180-P models only (see *How to Order*).

Valve Seat: Buna-N

Valve Inlet Pressure (Maximum):

M2582-P: 80 psi (552 kPa) [5.52 bar]

M5180-P: 100 psi (689 kPa) [6.89 bar]

Parts Exposed to Gas Line Flow:

M2582-P:

- Aluminum
- Buna-N
- 302, 303, and 17-7 PH stainless steel

M5180-P:

- Aluminum (Steel optional)
- Buna-N
- 302, 303, 304, and 416 stainless steel

Control Diaphragm: Flexweave polyester fabric and Buna-N elastomer.

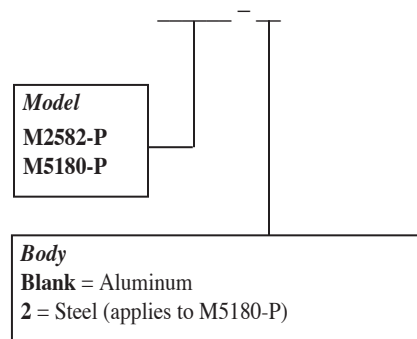
Control Pressure (Maximum):

M2582-P: 75 psi (517 kPa) [5.17 bar]

M5180-P: 80 psig (552 kPa) [5.52 bar]

How to Order

To order, use the diagram below.

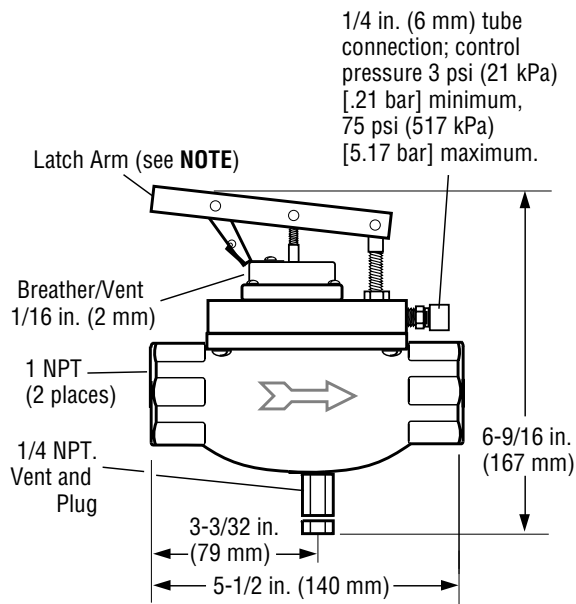


Warranty

A limited warranty on materials and workmanship is given with this FW Murphy product. A copy of the warranty may be viewed or printed by going to www.fwmurphy.com/support/warranty.htm

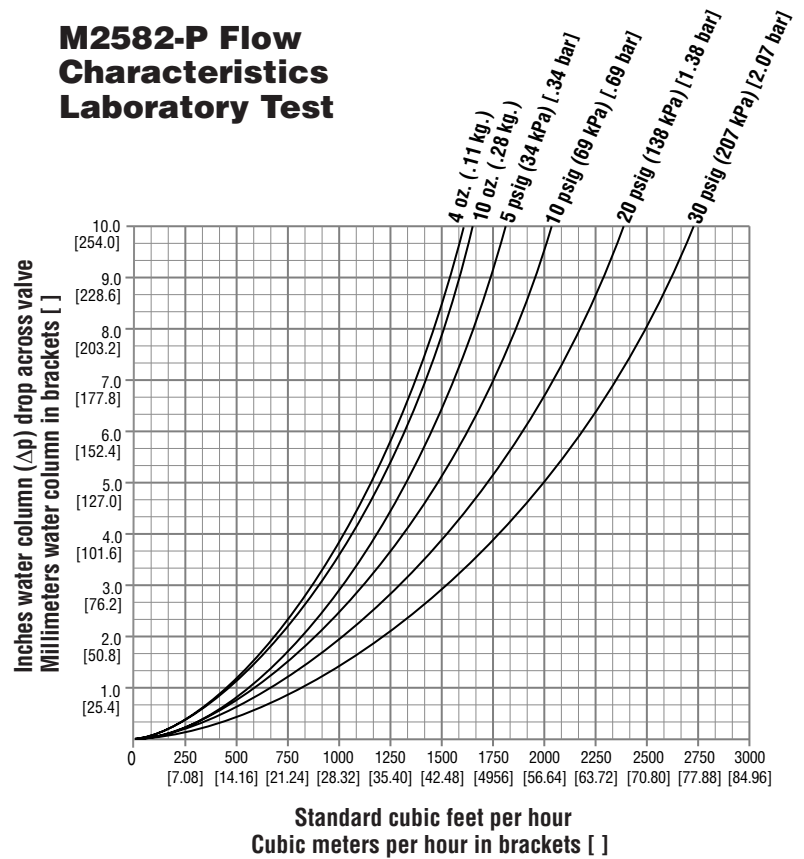


M2582-P Dimensions

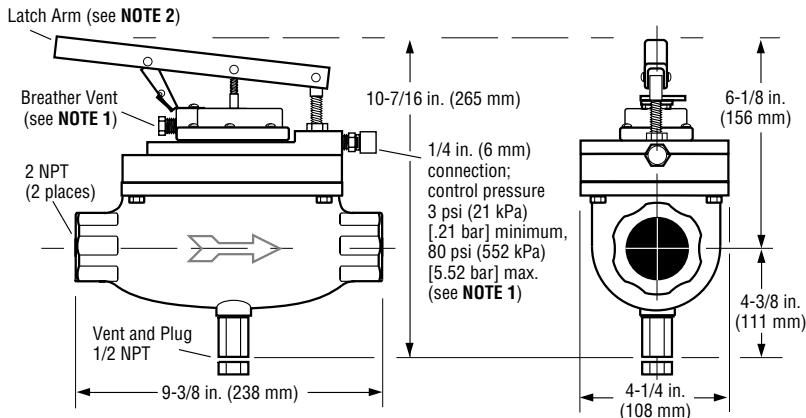


NOTE: Thumb operated opening latch (2.5 psi [17 kPa] [.17 bar] required to release cocking latch)

M2582-P Flow Characteristics Laboratory Test



M5180-P Dimensions



NOTE 1: Control pressure connection fitting and breather vent fitting can be swapped to convert to vacuum control.
NOTE 2: Thumb operated opening latch (2.5 psi [17 kPa] [.17 bar] required to release cocking latch).

Shipping Weights

M2582-P: 5 lbs 10 oz (2.55 kg).

M5180-P: 14 lbs 9 oz (6.61 kg).

With steel body option "2"; 25 lbs (11.34 kg).

Shipping Dimensions

M2582-P: 8-1/4 x 8-1/4 x 7-1/2 in.
(210 x 210 x 191 mm).

M5180-P: 12-1/4 x 12-1/4 x 9-3/4 in.
(311 x 311 x 248 mm).

Service Parts

Specify part number when ordering.	M2582P	M5180P
Handle and Latch Kit	55000148	55000154
Stem and Seat Kit	55000147	55000135
Top Works Complete Valve Less Body & Vent	55000150	55000155
Vent Bushing Assembly	55000143	55000132
Diaphragm Assembly	55000184	55000153
Pilot Diaphragm	00007908	55050420

MURPHY

FW Murphy
P.O. Box 470248
Tulsa, Oklahoma 74147 USA
+1 918 317 4100
fax +1 918 317 4266
e-mail sales@fwmurphy.com
www.fwmurphy.com

CONTROL SYSTEMS & SERVICES DIVISION
P.O. Box 1819; Rosenberg, Texas 77471; USA
+1 281 633 4500 fax +1 281 633 4588
e-mail sales@fwmurphy.com

MURPHY DE MEXICO, S.A. DE C.V.
Blvd. Antonio Rocha Cordero 300, Fracción del Aguaje
San Luis Potosí, S.L.P.; México 78384
+52 444 8206264 fax +52 444 8206336
Villahermosa Office +52 993 3162117
e-mail ventas@murphymex.com.mx
www.murphymex.com

FRANK W. MURPHY, LTD.
Church Rd.; Laverstock, Salisbury SP1 1QZ; U.K.
+44 1722 410055 fax +44 1722 410088
e-mail sales@fwmurphy.co.uk
www.fwmurphy.co.uk

MURPHY SWITCH OF CALIFORNIA
41343 12th Street West
Palmdale, California 93551-1442; USA
+1 661 272 4700 fax +1 661 947 7570
e-mail sales@murphyswitch.com
www.murphyswitch.com

MACQUARRIE CORPORATION

1620 Hume Highway
Campbellfield, Vic 3061; Australia
+61 3 9358 5555 fax +61 3 9358 5558
e-mail murphy@macquarrie.com.au



In order to consistently bring you the highest quality, full featured products, we reserve the right to change our specifications and designs at any time.

Printed in U.S.A.

Free Manuals Download Website

<http://myh66.com>

<http://usermanuals.us>

<http://www.somanuals.com>

<http://www.4manuals.cc>

<http://www.manual-lib.com>

<http://www.404manual.com>

<http://www.luxmanual.com>

<http://aubethermostatmanual.com>

Golf course search by state

<http://golfingnear.com>

Email search by domain

<http://emailbydomain.com>

Auto manuals search

<http://auto.somanuals.com>

TV manuals search

<http://tv.somanuals.com>