

PowerView™ - Model PV10 – Diagnostic Display



Features

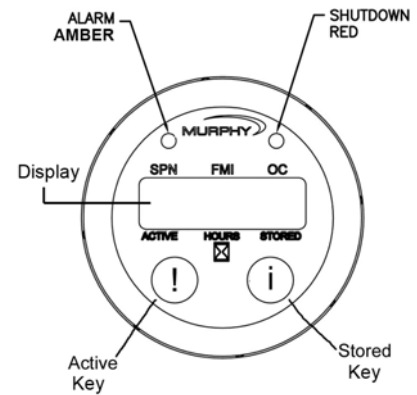
- Display supports electronically controlled engines and equipment applications that use SAE J1939 Controller Area Networks.
- Displays Active and Stored diagnostic trouble codes for diagnosing equipment malfunctions.
- Displays Engine Hours, SPN, FMI, and OC information on a graphic display.
- Provides enhanced visual alarm indication using Ultra-bright ALARM or SHUTDOWN LEDs (amber and red).
- Simple installation and connections to the system bus.
- Rugged design for demanding applications includes backlit display and is sunlight viewable.

Product Description

The PV10 Diagnostic display is a CAN device that receives data from a controller or ECU and then displays Active and Stored Fault messages and Engine Hours.

The default mode provides hourmeter data from the ECU for cumulative engine hours.

The PV10 is equipped with two buttons to quickly select between Active or Stored Faults, a graphic display, two LED to indicate the Active fault's Alarm or Shutdown status in a sealed enclosure that matches the PowerView line of gages.



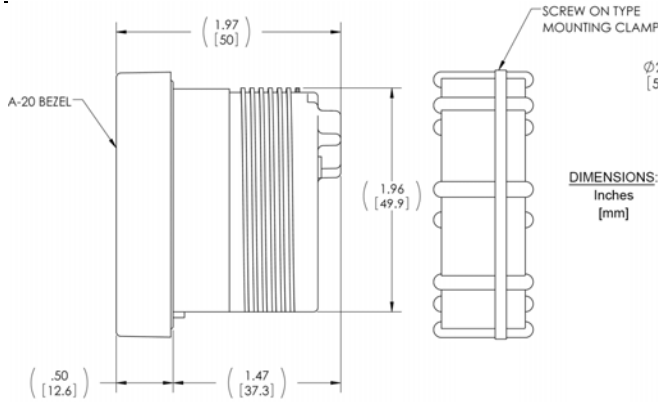
Fault Messages

Fault messages are formatted to display SPN (Suspect Parameter Number), FMI (Failure Mode Indicator) and OC (Occurrence Count) codes that conform to the SAEJ1939 protocol.

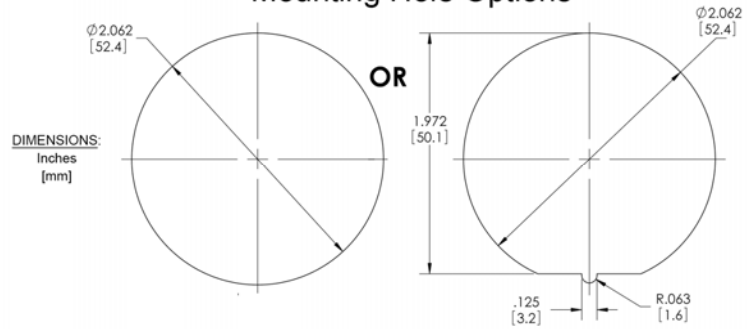
Bezel Styles

AB A-20 Style	A A-20 Style	BB Low Profile SAE Style	DB Low Curved Style

Product Dimensions



Mounting Hole Options



Specifications

Operating Voltage

- 6.0 VDC minimum to 36 VDC maximum

Power Supply Operating Current

- 460mA max @ 12VDC
- 810mA max @ 24VDC

Reversed Polarity: Withstands reversed battery terminal polarity.

Environmental

- Operating Temperature:** -40°C to 70°C (-40°F to 158°F)
- Storage Temperature:** -55°C to 85°C (-67°F to 185°F)
- Sealing:** IP68

CAN Bus: SAE J1939 compliant

Connectors

- 4-pin AMP "Mini-universal Mate-N-Lok connector"
- AMP Plug: P/N 172338-1
- AMP Socket: P/N 171639-1 (4 each, assumes 18 gauge wire. See AMP Plug specification to match socket and wire size.)

Maximum Panel Thickness: 3/8 inch (9.6 mm)

Shipping Weights (all models): 0.2 lb. (0.1 kg.)

Shipping Dimensions (all models): 3-7/8 x 2-3/4 x 2-3/4 in. (98.4 x 69.85 x 69.85 mm)

How to Order

PV10 - A

Bezel Type (flat lens)

- A = A20 (Brushed Silver)
- AB = A20 (Black)
- BB = Low profile SAE (Black)
- DB = Low Curved (Black)

Accessories

Wiring Harness, PVW-PDA-12 PowerView 10 CAN and Power (P/N 78-00-0613)

Wiring Harness, PA-30 PowerView 10 Loose Wiring (P/N 78-00-0614)

Terminating Resistor, PVMJR (PN 78-00-0480)

FW MURPHY

P.O. Box 470248
Tulsa, Oklahoma 74147 USA
+1 918 317 4100 Fax: +1 918 317 4266
E-mail: sales@fwmurphy.com

INDUSTRIAL PANEL DIVISION

Fax: +1 918 317 4124
E-mail: ipdsales@fwmurphy.com

MURPHY POWER IGNITION

Web site: www.murphy-pi.com

CONTROL SYSTEMS & SERVICES DIVISION

P.O. Box 1819
Rosenberg, Texas 77471 USA
Phone: +1 281 633 4500 Fax: +1 281 633 4588
E-mail: sales@fwmurphy.com

FRANK W. MURPHY, LTD

Church Rd Laverstock
Salisbury SP1 1QZ UK
Phone: +44 172 241 0055 Fax: +44 172 241 0088
E-mail: sales@fwmurphy.co.uk
Web site: www.fwmurphy.co.uk

COMPUTRONIC CONTROLS, LTD

41 - 43 Railway Terrace
Nechells, Birmingham B7 5NG UK
Phone: +44 121 327 8500 Fax: +44 121 327 8501
E-mail: sales@computroniccontrols.com
Web site: www.computroniccontrols.com

www.fwmurphy.com

FW MURPHY INSTRUMENTS (HANGZHOU) CO. LTD

77 23rd Street
Hangzhou Economic & Technological Development Area
Hangzhou, Zhejiang 310018 China
Phone: +86 571 8788 6060 Fax: +86 571 8684 8878

FW MURPHY INTERNATIONAL TRADING (SHANGHAI) CO., LTD.

Suite 1704, Tower B, City Center of Shanghai; 100 Zunyi Road
Shanghai, 200051 China
Phone: +86 21 6237 2082 Fax: +86 21 6237 2083
Web site: mhong@fwmurphy.com



Printed in U.S.A.

Warranty - A limited warranty on materials and workmanship is given with this FW Murphy product. A copy of the warranty may be viewed or printed by going to www.fwmurphy.com/support/warranty.htm

In order to consistently bring you the highest quality, full featured products, we reserve the right to change our specifications and designs at any time. MURPHY, the Murphy logo, MurphyLink™ and PowerView™ are registered and/or common law trademarks of Murphy Industries, Inc. This document, including textual matter and illustrations, is copyright protected by Murphy Industries, Inc., with all rights reserved. (c) 2008 Murphy Industries, Inc.

Free Manuals Download Website

<http://myh66.com>

<http://usermanuals.us>

<http://www.somanuals.com>

<http://www.4manuals.cc>

<http://www.manual-lib.com>

<http://www.404manual.com>

<http://www.luxmanual.com>

<http://aubethermostatmanual.com>

Golf course search by state

<http://golfingnear.com>

Email search by domain

<http://emailbydomain.com>

Auto manuals search

<http://auto.somanuals.com>

TV manuals search

<http://tv.somanuals.com>