

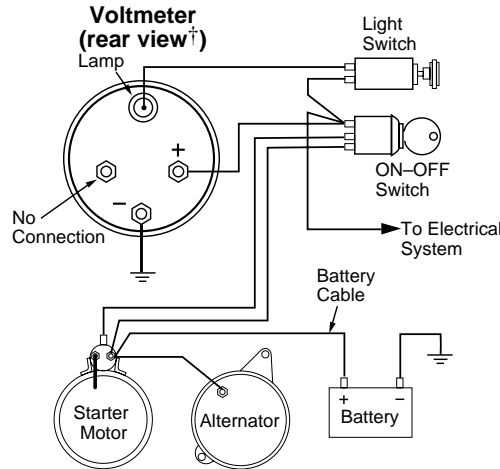
Wiring Instructions for VM-12 and VM-24 Voltmeter

VM-94137N
Revised 09-96
Section 65
(00-02-0209)



Please read these instructions carefully before installing.

1. Disconnect battery ground cable.
2. Connect an 18 AWG (1.0 mm²) wire, minimum, from the ground terminal on the back of the voltmeter to ground (see wiring diagram). For an above ground system connect the wire from the “-” terminal on the voltmeter to the negative (-) terminal on the battery.
3. Connect an 18 AWG (1.0 mm²) wire, minimum, from the “IGN” terminal on the ignition switch to the “+” terminal on back of the voltmeter.
4. Connect an 18 AWG (1.0 mm²) wire, minimum, from the instrument panel’s lighting circuit to the illuminating lamp on back of the voltmeter (if applicable).
5. Reconnect battery ground cable.



† Terminal location may differ from shown.

■ Frank W. Murphy Manufacturer

P.O. Box 470248; Tulsa, Oklahoma 74147; USA
tel. (918) 627-3550 fax (918) 664-6146
e-mail fwmurphy@ionet.net

■ Frank W. Murphy Southern Division

P.O. Box 1819; Rosenberg, Texas 77471; USA
tel. (713) 342-0297 fax (713) 341-6006

■ Frank W. Murphy, Ltd.

Church Rd.; Laverstock, Salisbury SP1 1QZ; U.K.
tel. +44 1722 410055 fax +44 1722 410088 tlx 477088
e-mail sales@fwmurphy.co.uk

■ Frank W. Murphy Pte., Ltd.

26 Siglap Drive; Republic of Singapore 456153
tel. +65 241-3166 fax +65 241-8382

■ Murphek Pty., Ltd.

1620 Hume Highway; Campbellfield, Vic 3061; Australia
tel. +61 3 9358-5555 fax +61 3 9358-5556

■ Murphy de México, S.A. de C.V.

Bldv. Antonio Rocha Cordero 300, Fracción del Agua
San Luis Potosí, S.L.P.; México 78384
tel. +52-48-206264 fax +52-48-206336

■ Murphy Switch of California

P.O. Box 900788; Palmdale, California 93590; USA
tel. (805) 272-4700 fax (805) 947-7570
e-mail sales@murphyswitch.com

■ Frank W. Murphy France

tel. +33 1 30 762626 fax +33 1 30 763989

Free Manuals Download Website

<http://myh66.com>

<http://usermanuals.us>

<http://www.somanuals.com>

<http://www.4manuals.cc>

<http://www.manual-lib.com>

<http://www.404manual.com>

<http://www.luxmanual.com>

<http://aubethermostatmanual.com>

Golf course search by state

<http://golfingnear.com>

Email search by domain

<http://emailbydomain.com>

Auto manuals search

<http://auto.somanuals.com>

TV manuals search

<http://tv.somanuals.com>