

# TRIPLE-X170

## X-<sup>V8</sup> SERIES UPGRADE POWER SUPPLY UNIT



### *INSTRUCTIONS FOR USE*

*Thank you for purchasing the Musical Fidelity TRIPLE-X170.*

*The Triple-X170 is the ultimate upgrade power supply unit for the X-<sup>V8</sup> series of components. Its full sized case fully complements the other X-<sup>V8</sup> components. The TRIPLE-X170 conveniently drives an amplifier, CD player and tuner from a single mains point, and thanks to improved transformer specifications, gives improved power output from your X-T100 amplifier. It also can be used to power the XT-100 alone, whilst powering the front end components from another power source such as the TRIPLE-X or X-DAC<sup>V8</sup>*

*Dust regularly with a soft duster or soft brush, but be careful when using cleaning or polishing agents - they may harm the surface finish.*

*If you have any questions about your audio system,  
Please consult your dealer who is there to help and advise.*

MUSICAL FIDELITY

| <b>PAGE</b> |                                    |   |
|-------------|------------------------------------|---|
| <b>3</b>    | <b>Safety information</b>          | - Safety information  |
| <b>4</b>    | <b>General advice</b>              | - Installation precautions<br>- User information                |
| <b>5</b>    | <b>Item disposal information</b>   | - EU disposal information                                       |
| <b>6</b>    | <b>Installation</b>                | - Introduction<br>- Installation<br>- Connections<br>- Cleaning |
| <b>7</b>    | <b>Facilities and connection</b>   | - Illustrations - front and rear panels                         |
| <b>8</b>    | <b>Power supply problems?</b>      | - Basic fault finding   |
| <b>9</b>    | <b>Power supply specifications</b> |   |
| <b>10</b>   | <b>Manual history</b>              |   |

## **IMPORTANT!** *(U.K. only)*

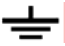
This unit is supplied in the U.K. with mains lead fitted with a moulded 13 amp plug. If, for any reason, you need to cut off the plug, please remove the fuse holder and dispose of the plug safely, out of reach of children. **It must not be plugged into a mains outlet.**

The wires in the mains lead supplied with this appliance are coloured in accordance with the following code:

Green and yellow.....Earth  
Blue.....Neutral  
Brown.....Live

### **WARNING - This appliance MUST be earthed**

As the colours of the wires of the mains lead of this appliance may not correspond with the coloured markings identifying the terminals in your plug, proceed as follows:

The wire which is coloured green-and-yellow must be connected to the terminal in the plug which is marked with the letter E or coloured green or green-and-yellow, or by the earth symbol : 

The wire which is coloured brown must be connected to the terminal which is marked with the letter L or coloured red.

The wire which is coloured blue must be connected to the terminal which is marked with the letter N or coloured black.

If connecting to a BS1363 plug, a 13 amp fuse must be used.

### **WARNING:**

**ANY MODIFICATIONS TO THIS PRODUCT NOT EXPRESSLY APPROVED BY MUSICAL FIDELITY WHO IS THE PARTY RESPONSIBLE FOR STANDARDS COMPLIANCE COULD VOID THE USER'S AUTHORITY TO OPERATE THIS EQUIPMENT.**

### INSTALLATION PRECAUTIONS and USER INFORMATION

Your new TRIPLE-X170 PSU is designed and built to provide trouble-free performance, but as with all electronic devices it is necessary to observe a few precautions:

Heed all warnings shown on the back of the product.

Always ensure that when disconnecting and reconnecting your audio equipment the mains supply is switched off.

Position the mains lead and signal interconnects where they are not likely to be walked on or trapped by items placed on them.

Do not use near water, or place water-filled containers on the TRIPLE-X170 PSU, for example, a flower vase or potted plants. **If water does spill inside, immediately pull out the mains plug from the wall socket and inform your dealer, who should then check the unit before further use. Entry of liquid into the TRIPLE-X170 PSU is dangerous, and may cause electric shock or fire hazard.**

Do not place the unit near direct heat sources such as radiators, direct sunlight or other equipment.

Do not remove any covers or try to gain access to the inside. There are no internal adjustments or fuses you can replace yourself. Refer all service work to an authorised Musical Fidelity agent.

**Note: Unauthorised opening of the equipment will invalidate any warranty claim.**

Dust regularly with a soft cloth or soft brush but be careful when using cleaning or polishing agents - they may harm the surface finish.

The electronics in modern hi-fi equipment is complex and may, therefore, be adversely affected or damaged by lightning. For protection of your audio system during electrical storms, remove the mains plugs and disconnect any aerial lead.

If after-sales service is required, to help your dealer identify the TRIPLE-X170 PSU please quote the serial number located on the rear panel of the unit.



## DISPOSAL

The crossed out wheeled bin label that appears on the back panel of the product indicates that the product must not be disposed of as normal household waste. To prevent possible harm to the environment please separate the product from other waste to ensure that it can be recycled in an environmentally safe manner. Please contact your local government office or your retailer for available collection facilities.



## DISPOSITION

La poubelle sur roulettes barrées X, qui apparaît en logo sur le panneau arrière du produit, indique que celui-ci ne doit pas être traité comme un déchet domestique commun. Afin de protéger l'environnement, ce produit électronique devra être géré séparément et donc recyclé selon les nouvelles normes Européennes Rohs concernant les déchets d'appareils électroniques. Prière de contacter les services concernés gouvernementaux ou votre point de vente pour l'élimination et l'enlèvement de déchets électroniques équipés de composants électroniques.



## DISPOSAL

La etiqueta cruzada hacia fuera del compartimiento que aparece en el panel trasero del producto indica que el producto no se debe reciclarse como basura normal de la casa. Para prevenir daños posible al ambiente separe por favor el producto de otras basura para asegurarse de que puede ser reciclada de una manera ambientalmente segura. Entre en contacto por favor a su oficina gubernamental local o a su minorista para las instalaciones disponibles de la colección.



## RIFIUTI

L'etichetta del cassonetto barrato riportato sul retro dell'apparecchio indica che il prodotto non deve essere smaltito tramite la procedura normale di smaltimento dei rifiuti domestici. Per evitare eventuali danni all'ambiente, separare questo prodotto da altri rifiuti domestici in modo che possa venire riciclato in base alle procedure di rispetto ambientale. Per maggiori dettagli sulle aree di raccolta disponibili, contattate l'ufficio govenativo locale od il rivenditore del prodotto.



## FACHGERECHTE ENTSORGUNG:

Das auf der Geräterückseite angebrachte Label deutet darauf hin, dass das Produkt nicht mit konventionellem Hauskehricht entsorgt werden darf. Um Schäden und Verschmutzungen an Umwelt und Mensch zu vermeiden, muss das Produkt fachgerecht entsorgt und von anderem Abfall getrennt werden. Wenden Sie sich bei Fragen hierzu an Ihren Fachhändler oder an eine öffentliche Informationsstelle.



## AFVAL

Het label op de achterzijde van dit apparaat, een afvalbak op wielen met een kruis doorgehaald, geeft aan dat dit apparaat niet samen met gewoon huishoudafval mag worden weggegooid. Om mogelijke schade aan onze leefomgeving te voorkomen dient dit apparaat, gescheiden van gewoon huishoudelijk afval, te worden afgevoerd zodat het op een milieuvriendelijke manier kan worden gerecycled. Neem voor beschikbare inzamelplaatsen contact op met uw gemeentelijke reinigingsdienst of met uw elektronica leverancier.



## HÄVITTÄMINEN

Yliuksattua jäteastiaa kuvaava tarra tuotteen takalevyssä kertoo, että tuotetta ei saa käsitellä normaalina talousjätteenä. Ympäristön suojelemiseksi on tuote pidettävä erillään muusta jätteestä ja se on kierrätettävä ekologisesti kestäväällä tavalla. Ota yhteyttä laitteen myyjään tai Pirkanmaan Ympäristökeskukseen lähimmän kierrätyskeskuksen löytämiseksi.



## AFSKAFNING

Logoet med en skraldespand med kryds over på bagsiden af apparatet indikerer at dette produkt ikke må kasseres som normal husholdningsaffald. For at forebygge mulig skade på miljøet, bedes De separere dette produkt fra andet affald, og sikre at det bliver genbrugt på en miljørigtig måde. Kontakt venligst de lokale myndigheder eller din forhandler for oplysning om nærmeste tilgængelige opsamlingssted for elektronikaffald.



## ΔΙΑΔΙΚΑΣΙΑ ΑΠΟΡΡΙΨΗΣ

ΤΟ ΣΗΜΑ ΜΕ ΤΟΝ ΔΙΑΓΕΓΡΑΜΜΕΝΟ ΤΡΟΧΗΛΑΤΟ ΚΑΘΟ ΑΠΟΡΡΙΜΑΤΩΝ ΣΤΗΝ ΠΙΣΩ ΟΨΗ ΤΟΥ ΜΗΧΑΝΗΜΑΤΟΣ

ΔΗΛΩΝΕΙ ΟΤΙ ΤΟ ΠΡΟΙΟΝ ΑΥΤΟ ΔΕΝ ΠΡΕΠΕΙ ΝΑ ΔΙΑΧΕΙΡΙΣΘΕΙ ΣΑΝ ΣΥΝΗΘΙΣΜΕΝΟ ΟΙΚΙΑΚΟ ΑΠΟΒΛΗΤΟ. ΠΡΟΣ ΑΠΟΦΥΓΗ ΕΝΔΕΧΟΜΕΝΗΣ ΕΠΙΒΑΡΥΝΣΗΣ ΤΟΥ ΠΕΡΙΒΑΛΛΟΝΤΟΣ, ΞΕΧΩΡΙΣΤΕ ΤΟ ΠΡΟΙΟΝ ΑΠΟ ΤΑ ΑΛΛΑ

ΑΠΟΡΡΙΜΑΤΑ ΩΣΤΕ ΝΑ ΕΞΑΣΦΑΛΙΣΘΕΙ Η ΑΝΑΚΥΚΛΩΣΗ ΤΟΥ ΜΕ ΤΟΝ ΠΡΕΠΟΝΤΑ ΤΡΟΠΟ.

ΠΑΡΑΚΑΛΟΥΜΕ ΝΑ ΕΠΙΚΟΙΝΩΝΗΣΕΤΕ ΜΕ ΤΗΝ ΤΟΠΙΚΗ ΥΠΗΡΕΣΙΑ ΑΝΑΚΥΚΛΩΣΗΣ Η ΜΕ ΤΟ ΚΑΤΑΣΤΗΜΑ ΑΓΟΡΑΣ ΓΙΑ ΠΕΡΙΣΣΟΤΕΡΕΣ ΛΕΠΤΟΜΕΡΕΙΕΣ.

## INTRODUCTION

Congratulations on the purchase of your new TRIPLE-X170.

The TRIPLE-X170 is an upgrade Power Supply Unit. It increases the power of your X-T100 to 85+85 wpc and improves its peak current. The TRIPLE-X170 PSU will power the X-T100, X-RAY<sup>V8</sup> and X-PLORA<sup>V8</sup> simultaneously. The unit will therefore control power to all units connected to it through one on/off switch, and only needs one wall socket for up to three separate components.

The TRIPLE-X170 case fully complements our compact integrated X-<sup>V8</sup> hi-fi range, powering a set of our mini-separates from one convenient box.

As the supply is separated from the amplifier, CD player and tuner, it gives unprecedented improvement in noise performance.

## INSTALLATION

Position the TRIPLE-X170 PSU on a stable, horizontal surface where there is no risk of it being knocked, or subjected to vibration such as from loudspeakers.

## CONNECTIONS

**Outputs:** With the unit switched off, connect your components to the XLR, on the back panel, as indicated:

- 6-pin connector for XT-100 amplifier
- 5-pin connector for X-RAY<sup>V8</sup> player
- 4 pin connector for X-PLORA<sup>V8</sup> tuner

The connectors should seat securely with a gentle click when they are properly connected.

Please note the connectors have differing numbers of pins to avoid confusion.

**WARNING:** *Do not force any connector, or attempt to connect any component to the wrong connector.*

Once all components are connected to the power supply unit, wire them as required with interconnect cables, and check wiring.

Connect the unit to the mains using supplied lead.

Switching on the power supply unit should light the front panel power LED and the connected components should all come on. The setup is then ready for use.

## CLEANING

Before cleaning the unit, switch off power at the mains switch and remove the mains plug from the wall socket.

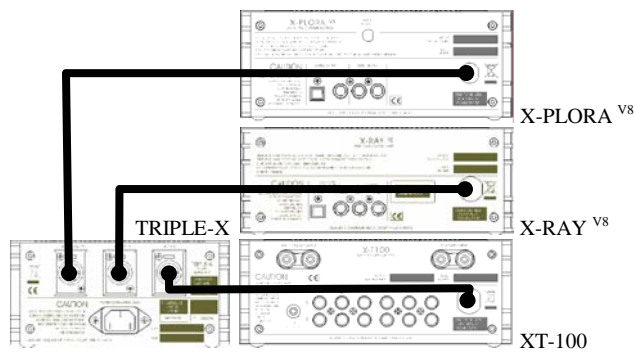
Clean the cabinet and remote control unit using a moist cloth. We do not advise using solvents, white spirit or thinners as they could damage the surface finish

## UPGRADE PATH

Early in 2007, another interesting new X-<sup>V8</sup> series product is coming:

The X-DAC<sup>V8</sup> is a super-performance Digital to Analogue Converter with a tube output. Its performance is verging on state-of-the-art and sounds extraordinary. The X-DAC<sup>V8</sup> is self-powered and also has power supply outlets for the X-RAY<sup>V8</sup> and X-PLORA<sup>V8</sup>. When the X-RAY<sup>V8</sup> is paired with the X-DAC<sup>V8</sup>, what you have is a mini KW25 system (the KW25 Transport/DAC received incredible reviews which recon it's probably the best CD player ever).

### 3-component setup, standard power supply



**Figure 1**

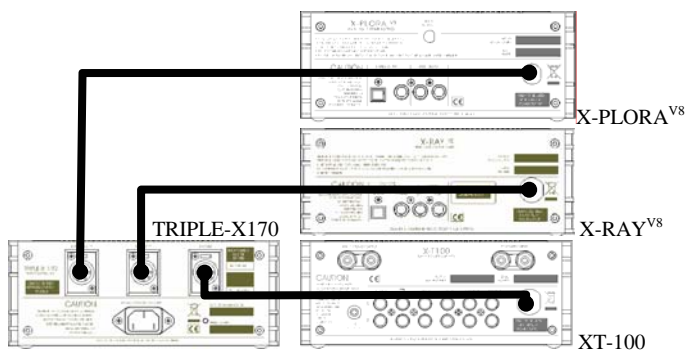
The standard 3-component setup using the original **TRIPLE-X PSU** (bottom left) is shown in figure 1.

The power connector from the **X-PLORA<sup>V8</sup>** mates with the 4-way socket labelled **X-PLORA<sup>V8</sup>** on the rear of the **TRIPLE-X PSU**. The connector should fit comfortably with a small click when properly seated.

The power connector from the **X-RAY<sup>V8</sup>** mates with the 5-way socket labelled **X-RAY<sup>V8</sup>** on the rear of the **TRIPLE-X PSU**. The connector should fit comfortably with a small click when properly seated.

The power connector from the **XT-100** Integrated amplifier mates with the 6-way socket labelled **XT-100** on the rear of the **TRIPLE-X PSU**. The connector should fit comfortably with a small click when properly seated.

### 3-component setup, upgraded power supply

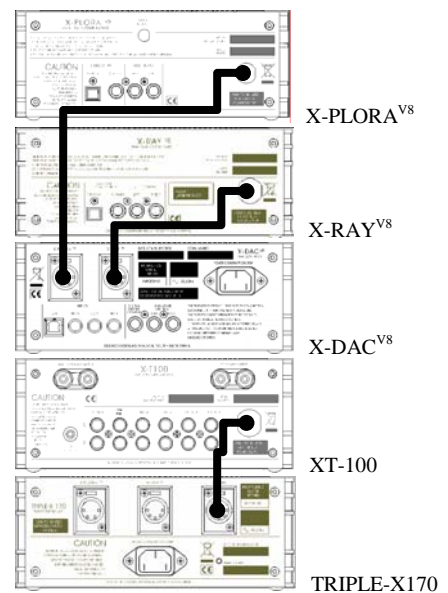


**Figure 2**

The upgraded 3-component setup using the **TRIPLE-X170 PSU** (bottom left) is shown in figure 2.

The wiring is identical to that given under the standard setup shown above. Simply remove the **TRIPLE-X PSU** and use the **TRIPLE-X170 PSU** in its place.

### 4-component setup, upgraded power supply



**Figure 3**

The recommended power supply wiring for the four-component setup, including upgrade power supply and **X-DAC<sup>V8</sup>**, is shown in figure 3.

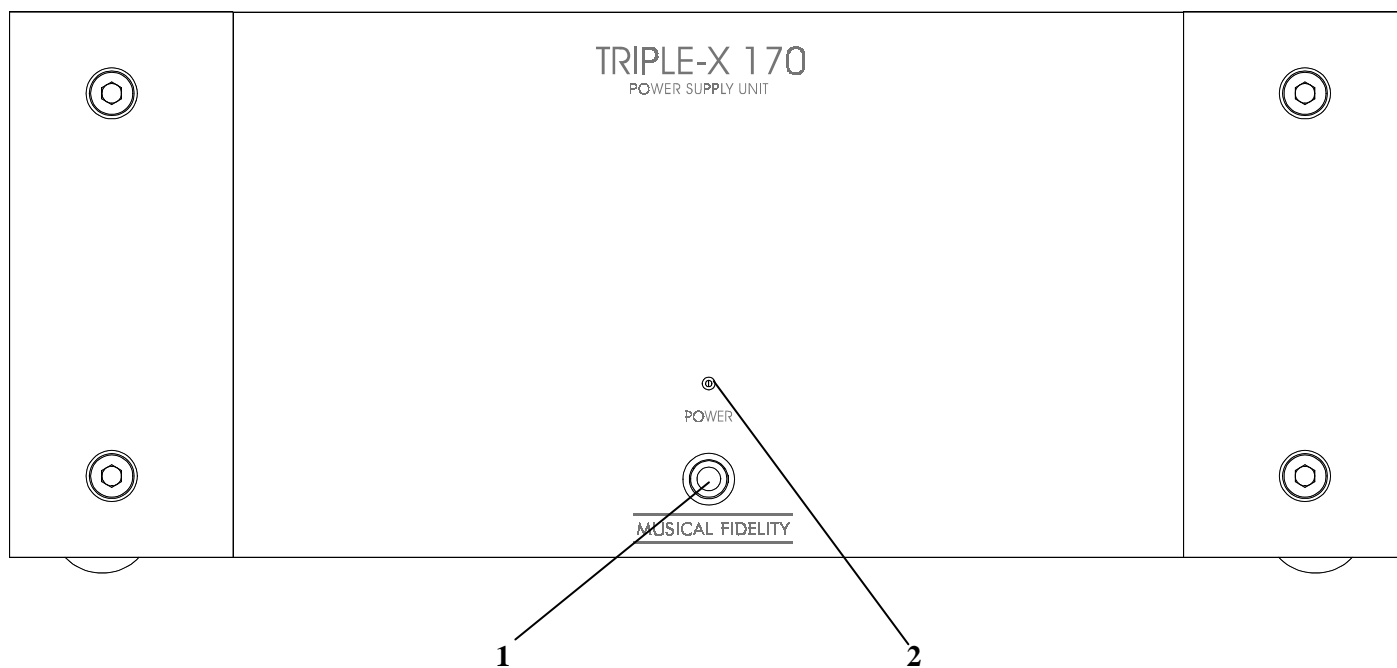
The power connector from the **X-PLORA<sup>V8</sup>** mates with the 4-way socket labelled **X-PLORA<sup>V8</sup>** on the rear of the **X-DAC<sup>V8</sup>**. The connector should fit comfortably with a small click when properly seated.

The power connector from the **X-RAY<sup>V8</sup>** mates with the 5-way socket labelled **X-RAY<sup>V8</sup>** on the rear of the **X-DAC<sup>V8</sup>**. The connector should fit comfortably with a small click when properly seated.

The **XT-100** integrated amplifier should be powered from the upgrade **TRIPLE-X170** power supply unit. Connect your **XT-100** to this supply through the 6-way XLR socket at the back. The **X-PLORA<sup>V8</sup>** and **X-RAY<sup>V8</sup>** are now supplied from the **X-DAC<sup>V8</sup>**. This frees up reserve supply for the power amplifiers in the **XT100**.

This is by no means an exhaustive list, as it is possible to use the original **TRIPLE-X** power supply, say, to supply the CD player alone further isolating it from the DAC and other circuits. The beauty of this system is its incredibly flexible allowing considerable tweaking to obtain optimum audio performance.

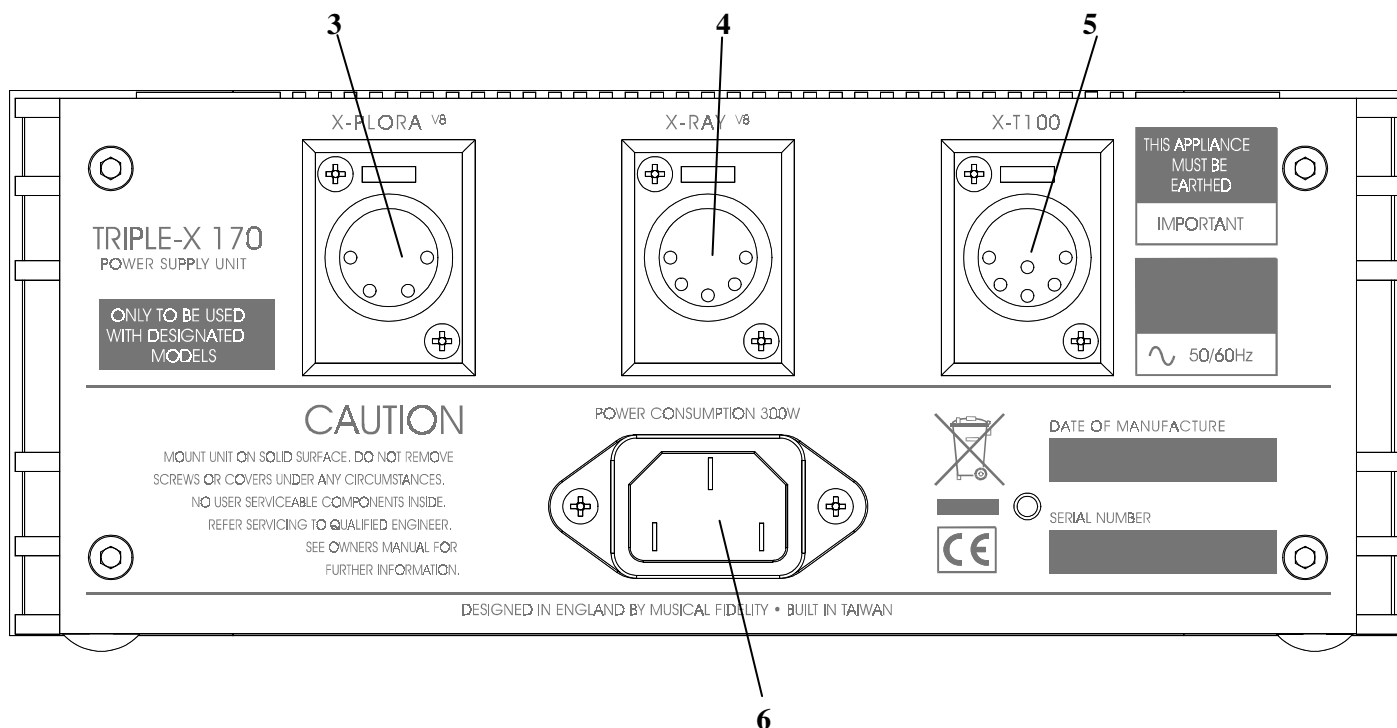
## FRONT PANEL



1. **POWER** switch

2. **POWER** Indicator LED

## REAR PANEL



3. **XPLORA** <sup>V8</sup> power socket

4. **XRAY** <sup>V8</sup> power socket

5. **XT-100** power socket

6. **IEC MAINS** Input



Basic problem-solving with an amplifier is similar to troubleshooting other electrical or electronic equipment. Always check the most obvious possible causes first, such as the following examples:

| <b>Problem</b>                               | <b>Probable Cause</b>  | <b>Remedy</b>  |
|--|--|--|
| No power when <b>POWER</b> button is pressed | Mains power plug is not fully inserted into rear socket  | Plug in securely.<br>Check mains cable.  |
| No response from connected component(s)      | Component(s) not connected or plug(s) not securely fitted.<br>No mains connection<br>Power switch is off | Check plug(s) are securely seated.<br><br>Check mains cable<br>Push switch to switch on units. |

If none of these actions affect a cure, please contact your dealer, or an authorised Musical Fidelity service agent. Remember; never open the case of the TRIPLE-X170 yourself, as this will invalidate the guarantee.

Connections:

Power outputs: 6-way XLR for amplifier.  
5-way XLR for CD player.  
4-way XLR for tuner

Power requirement: 100 / 115 / 230Volts AC 50 / 60Hz (factory pre-set),  
7 W no load  
40 W all devices connected, idle  
300W fully loaded

Weight: 6.4 kg, 14 lbs unit only, unboxed  
8.3 kg, 18¼ lbs in shipping carton

Dimensions: 219 mm, 8.6 inches wide  
88 mm, 3.5 inches high including feet  
340 mm, 13.4 inches deep including terminals (total 425mm, 16.7 inches with plugs in)

Standard accessories: 10A IEC Mains lead



Musical Fidelity reserves the right to make improvements which may result in specification or feature changes without notice.

| <b>RELEASE</b> | <b>DATE</b>                   | <b>CHANGES</b>          |
|----------------|-------------------------------|-------------------------|
| Issue 1        | 18 <sup>th</sup> October 2006 | 1 <sup>st</sup> release |
| Issue 2        | 19 <sup>th</sup> October 2006 | Improved P.7            |

## Free Manuals Download Website

<http://myh66.com>

<http://usermanuals.us>

<http://www.somanuals.com>

<http://www.4manuals.cc>

<http://www.manual-lib.com>

<http://www.404manual.com>

<http://www.luxmanual.com>

<http://aubethermostatmanual.com>

Golf course search by state

<http://golfingnear.com>

Email search by domain

<http://emailbydomain.com>

Auto manuals search

<http://auto.somanuals.com>

TV manuals search

<http://tv.somanuals.com>