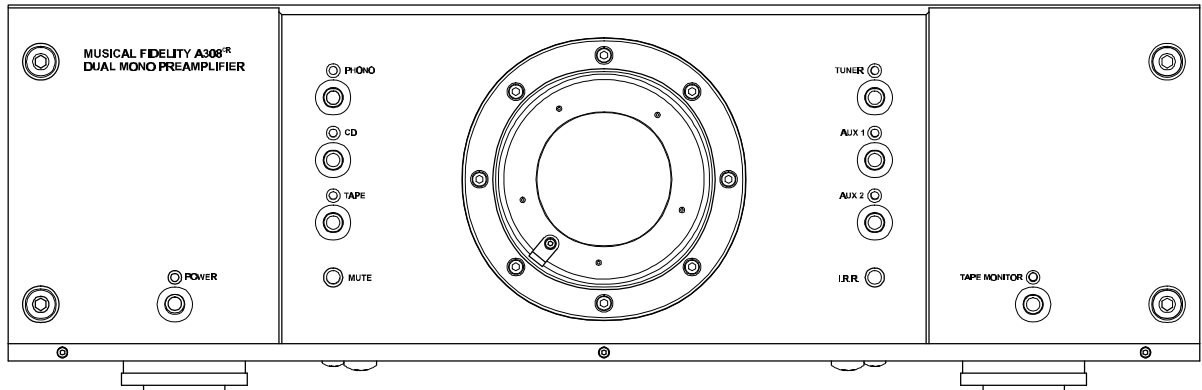


A308 CR

DUAL MONO PREAMPLIFIER



INSTRUCTIONS FOR USE

*Thank you for purchasing the Musical Fidelity
A308 CR remote control preamplifier.*

*Used properly and carefully, it should give you many
years of outstanding musical reproduction.*

*Æsthetically, the A308 CR Preamplifier is a perfect match for the
A308 CR power amplifier and A308 CR CD player.
Together, they form one of the finest hi-fi systems available today.*

*Dust regularly with a soft duster or soft brush but be
careful when using cleaning or polishing agents - they may
harm the surface finish.*

*If you have any questions about your audio system,
please consult your dealer who is there to help and advise.*

MUSICAL FIDELITY

SAFETY INFORMATION

IMPORTANT! (U.K. only)

This unit is supplied in the U.K. with a mains lead fitted with a moulded 13 amp plug. If, for any reason, you need to cut off this plug, please remove the fuse holder and dispose of the plug safely, out of reach of children. ***It must not be plugged into a mains outlet.***

The wires in the mains lead supplied with this appliance are coloured in accordance with the following code:

Green and yellow.....Earth
Blue.....Neutral
Brown.....Live

WARNING - This appliance must be earthed

As the colours of the wires of the mains lead of this appliance may not correspond with the coloured markings identifying the terminals in your plug, proceed as follows:

The wire which is coloured green-and-yellow must be connected to the terminal in the plug which is marked with the letter E or coloured green or green-and-yellow, or by the earth symbol:



The wire which is coloured brown must be connected to the terminal which is marked with the letter L or coloured red.

The wire which is coloured blue must be connected to the terminal which is marked with the letter N or coloured black.

If connecting to a BS1363 plug, a 13 amp fuse must be used.

WARNING:

Any modifications to this product not expressly approved by Musical Fidelity who is the party responsible for standards compliance could void the user's authority to operate this equipment.

GENERAL ADVICE

INSTALLATION PRECAUTIONS and USER INFORMATION

Your new A308 ^{CR} Pre-amplifier is designed and built to provide trouble-free performance, but as with all electronic devices it is necessary to observe a few precautions:

Heed all warnings shown on the back of the product.

Only connect the A308 ^{CR} Pre-amplifier to a mains outlet having the same voltage as marked at the back of the unit.

Always ensure that when disconnecting and reconnecting your audio equipment the mains supply is switched off.

Position the mains lead and signal interconnects where they are not likely to be walked on or trapped by items placed on them.

*Do not use near water, or place water-filled containers on the pre-amplifier, for example, flower vases or potted plants. **If water does spill inside, immediately pull out the mains plug from the wall socket and inform your dealer, who should then check the unit before further use. Entry of liquid into the pre-amplifier is dangerous, and may cause electric shock or fire hazard.***

Do not place the unit near heat sources such as radiators, direct sunlight or other equipment. The case of this amplifier can run at high temperatures - operate the unit in a well ventilated area, and do not touch the side heatsink fins after periods of use at high output power.

Do not remove covers or try to gain access to the inside. There are no internal user adjustments. Refer all service work to an authorised Musical Fidelity agent.

NOTE: Unauthorised opening of the equipment will invalidate any warranty claims.

There are fuses inside the A308 ^{CR} Pre-amplifier. In the unlikely event that one blows, refer the unit to your audio dealer. Do NOT try to replace the fuse yourself as this will invalidate the warranty.

Dust regularly with a soft duster or soft brush, but be careful when using cleaning or polishing agents - they may harm the surface finish.

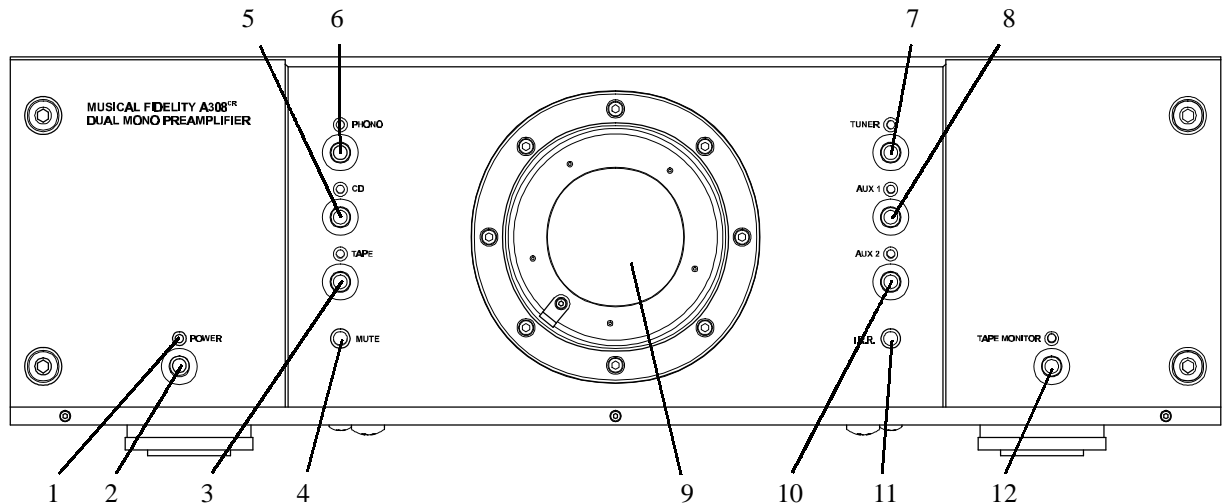
The electronics in modern hi-fi equipment is complex and may, therefore, be adversely affected or damaged by lightning. For protection of your audio system during electrical storms, remove the mains plugs and disconnect any aerial lead.

If after-sales service is required, to help your dealer identify the A308 ^{CR} Pre, please quote the serial number located on the rear panel of the unit.

RADIO FREQUENCY INTERFERENCE (R.F.I)

This product has been tested to ensure that its operation is not adversely affected by normal background levels of R.F.I., and that it does not itself generate excessive amounts of interference. However, if a problem persists, please contact your Musical Fidelity agent.

CONNECTIONS AND FACILITIES

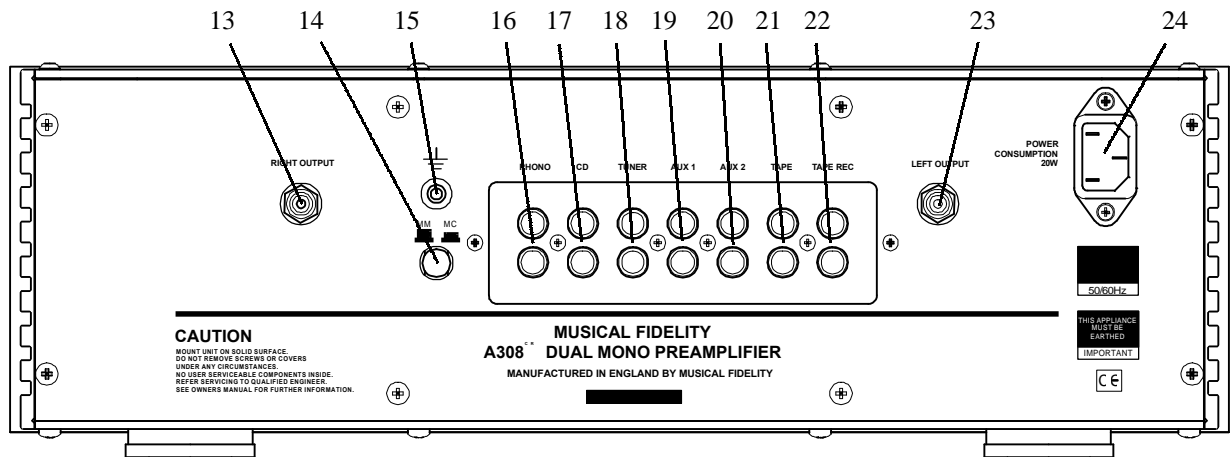


Front panel layout

- 1 Power on indicator LED (blue)
- 2 POWER on/off switch
- 3 TAPE input select button and LED
- 4 Mute LED
- 5 CD input select button and LED
- 6 PHONO input select button and LED
- 7 TUNER input select button and LED
- 8 AUXILIARY 1 input select button and LED
- 9 Volume control knob and LEDs
- 10 AUXILIARY 2 input select button and LED
- 11 Infra-Red Receiver
- 12 TAPE MONITOR button and LED

Back panel layout

- 13 RIGHT output
- 14 Phono MM/MC selection switch
- 15 Phono earth connection
- 16 PHONO input
- 17 CD input
- 18 TUNER input
- 19 AUXILIARY 1 input
- 20 AUXILIARY 2 input
- 21 TAPE input
- 22 TAPE RECORD output
- 23 LEFT output
- 24 IEC mains inlet



REMOTE CONTROL

REMOTE CONTROL

The blue buttons on the remote control enable main functions of the preamplifier to be operated from a convenient distance. Remaining buttons on this universal handset are for use with other Musical Fidelity products, and have no effect on the A308 ^{CR} Pre-amplifier.

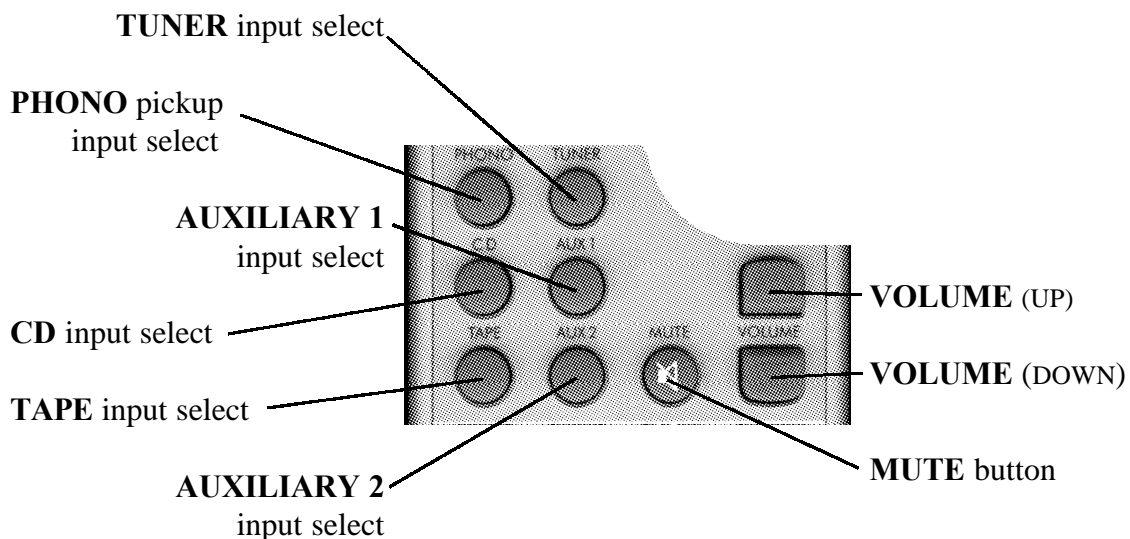
Equivalent buttons on the remote handset have the same functions as the those on the front panel of the unit. Some operations are only available via the handset.

As the remote control uses an invisible infra-red light beam, the transmitter must be pointed directly towards the receiver window on the front of the pre-amplifier, without visual obstruction between them.

Pressing the volume-up or -down buttons on the remote handset will advance the motorised volume control in the required direction.

Pressing the **MUTE** button mutes the audio output sockets, but has no effect on the TAPE OUT sockets for recording. To show that the pre-amplifier is muted, the red LED on the front panel will light. Press the **MUTE** button again to cancel this function, and the red LED will go off.

If the range of the remote control greatly decreases, replace the batteries with new ones. Do not mix old and new batteries - two are required, type SUM-4, AAA or LR03.



CONNECTIONS

All input and output connections should be made with the mains power switched OFF.

INPUT CONNECTIONS

The A308 ^{CR} Pre-amplifier has one pair of phono inputs, which can be used either for moving magnet (MM) or moving coil (MC) pickups.

The phono input sensitivity requirement can be changed from MM to MC by pressing the push-button switch located on the rear panel.

Important - Do not operate the MM/MC switch with the volume control turned up.

Some turntable/pickup arm combinations are fitted with an extra wire for chassis earthing. This should be connected to the earth terminal on the back panel.

The A308 ^{CR} Pre also has five "line level" inputs which are electrically identical, and therefore suitable for use with any source component having an output of at least 300mV.

The sockets on the rear panel are marked **CD, TUNER, AUXILIARY 1, AUXILIARY 2, and TAPE**, to correspond with function buttons on the front panel.

Connect the left and right outputs from your CD player, tuner, tape deck or phono/record deck to the appropriate RCA input sockets on the back panel.

For the best results we recommend using either Musical Fidelity X-LINX "no-nonsense" cables for this connection or the highly rated Nu-Vista leads with integral RFI suppression. Various lengths are available in the Nu-Vista interconnect range. Please contact your local dealer for more information.

PRE-AMPLIFIER OUTPUT

The A308 ^{CR} Pre has a pair of audio outputs from RCA sockets on the back panel, which are controlled by the volume adjustment.

TAPE RECORDER CONNECTION

The A308 ^{CR} Pre has a single tape circuit with facilities for off-tape monitoring with 3-head tape decks (see page 7).

Connection of your tape recorder to the A308 ^{CR} Pre should be as follows:

The tape deck's left and right line outputs are routed to the pre-amplifier's **TAPE** (input) sockets, and the tape deck's line inputs are connected to the A308 ^{CR}'s **TAPE RECORD** (output) sockets.

BEFORE SWITCHING ON

Plug the accessory IEC mains lead into the rear panel socket, then the other end into a convenient wall outlet.

Turn the volume control on the front panel to minimum (anticlockwise).

STARTING

Press the power button on the A308 Pre-amplifier - the blue LED on the front panel will light indicating that the unit is ready for use. However, for about five seconds no sound will be heard from your speakers, and the red mute LED will light to confirm initial mute action.

Unless using your pre-amplifier for off-tape monitoring (see paragraph opposite ➔) ensure that the **TAPE MONITOR** button has not been pressed accidentally, as otherwise no sound will be heard through the speakers.

Select the required audio input source by pressing an appropriate function button on the front panel or the remote control, and adjust the volume control to obtain the preferred sound level.

TAPE RECORDING

To record, simply select the required source with the input selector button on the front panel. This source will now be routed to the A308^{CR} Pre's **TAPE RECORD** output sockets for recording by the external tape deck.

You will also be able to hear the selected source through the loudspeakers.

Note - adjustment of the volume control has no effect on the recording level.

OFF TAPE MONITORING

In conjunction with a 3-head cassette deck, off-tape monitoring allows the user to compare the recorded sound with the original whilst a recording is being made. To do this, first select the required source in the normal way and start recording. The **TAPE MONITOR** button on the front panel can now be used to switch between the source sound and its recorded version.

The red LED just above the tape monitor button indicates that the tape monitor function is operating.

Note that the recorded sound is selected when this LED is lit. On some 3-head tape decks there is an additional 'tape/source' switch which must be in the 'tape' position for the above arrangement to work.

If in doubt, please refer to your tape deck operating manual.

PROBLEMS ?

Basic problem solving with a pre-amplifier is similar to troubleshooting any other electrical or electronic equipment. Always check the most obvious possible causes first. To give you a few ideas of what to look for, check the following:

<i>Problem</i>	<i>Possible Cause</i>	<i>Remedy</i>
No power when MAINS POWER switch is operated	Mains plug not inserted fully into the rear socket	Plug in securely
No sound	Tape monitor function has been selected (see page 7)	Cancel tape monitor function by pressing the MONITOR button again
	Mute function is selected	Press mute button on the remote control
	Wrong connections between the A308 ^{CR} Pre and amplifier	Check audio lead inter-connections between the pre-amplifier and amplifier
Remote control unit does not operate	POWER switch is set to OFF	Press POWER button
	Batteries not inserted in remote control unit	Insert batteries
	Batteries are flat	Replace batteries - do not mix old and new ones
Range of remote control has greatly reduced	Batteries are running out	Replace batteries - do not mix old and new ones

If none of these actions effect a cure, please contact your dealer, or an authorised Musical Fidelity service agent. Remember, never open the case of the A308 ^{CR} pre-amplifier yourself, as this will invalidate the guarantee.

Dual Mono Preamplifier

Output:	Voltage RMS, maximum	> 30 Volts
	Power, maximum	> 5 Watts
	Peak-to-peak output current	0.5 Amps
	Impedance	50 Ohms
	Frequency response	20Hz to 20kHz \pm 0dB 10Hz to 100kHz +0, -1.5dB,
Line inputs:		
	Total harmonic distortion + noise, 20Hz to 20kHz	> 0.0035% (5 Volts output, maximum volume)
	Signal / noise reference 1 Volt RMS output	104dB ("A"-weighted, at half volume)
	Input sensitivity for 1 Volt RMS output	240mV
	Input impedance	47k Ohms
	Gain at maximum volume	12.5dB (4.2 times)
	Overload margin	31dB
	Channel separation	> 88dB typical at 1kHz, maximum volume
Phono input:		
	Frequency response reference	
	IEC RIAA - see graph	
	Signal / noise ref. 1Volt RMS output	> 95dB Moving Magnet ("A"-weighted, at half volume) > 85dB Moving Coil ("A"-weighted, at half volume)
	Input sensitivity for 1 Volt RMS output	2.5mV Moving Magnet, 350 μ V Moving Coil
	Input impedance	47k Ohms
	Overload margin	31dB
Inputs:		5 pairs line level via RCA connectors 1 pair phono MM / MC switchable via RCA connectors
Outputs:		1 pair RCA connectors main output controlled by volume 1 pair RCA connectors tape record line level output
Power requirements:		100 / 115 / 230V AC 50 / 60Hz (factory preset) 20 watts maximum
Weight:	20 kg, 44.2 lbs unit only, un-boxed 23 kg, 50.8 lbs in shipping carton	Dimensions: 440mm, 17.3 inches wide 143mm, 5.6 inches high including feet 410mm, 16.1 inches deep including terminals
Standard accessories:		IEC type mains lead Remote control handset (universal type) 2 batteries (AAA, MN2400, LR03)



Musical Fidelity reserves the right to make improvements which may result in specification or feature changes without notice.

Free Manuals Download Website

<http://myh66.com>

<http://usermanuals.us>

<http://www.somanuals.com>

<http://www.4manuals.cc>

<http://www.manual-lib.com>

<http://www.404manual.com>

<http://www.luxmanual.com>

<http://aubethermostatmanual.com>

Golf course search by state

<http://golfingnear.com>

Email search by domain

<http://emailbydomain.com>

Auto manuals search

<http://auto.somanuals.com>

TV manuals search

<http://tv.somanuals.com>