

Mustek

DV5500

GETTING STARTED

Thank you for purchasing the Mustek DV5500 Multi-functional Digital Video.

We have included this convenient Getting Started to help with the basic operations. For more details on the different functions and operations, please refer to the User Guide.

HOW TO CONTACT US

Website:
http://www.mustek.com
Customer Service:
(General Info)
Email: cservices@mustek.com
Fax: (949) 788-3670
Technical Support:
Email: tsupport@mustek.com
Phone: (949) 788-3600
Address:
15271 Barranca Parkway,
Irvine, CA 92618

PACKAGE CONTENTS

(Dock station not included)

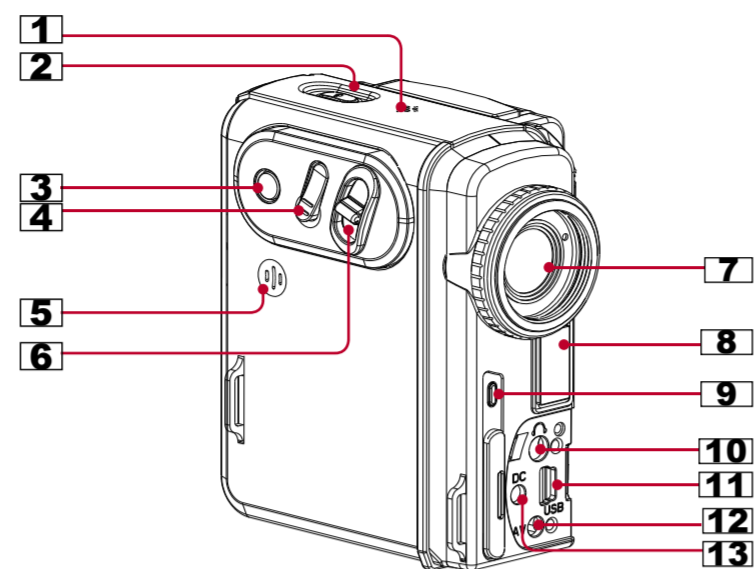
- Installation CD
- Video Studio CD
- Photo Express CD
- User Guide
- Getting Started
- Strap for Lens Cover
- Strap for Hand
- DV Bag
- Tripod
- Lens Cover
- Li-ion Battery
- Power Adapter
- 32MB MMC Card
- USB Cable
- AV Cable
- Earphone

ICONS & INDICATORS

Card Status		Picture Taking	
	With Card		Self-Timer
	Card Lock		Flash Strobe OFF
Battery Status			Auto Flash Strobe
	Battery Full		Red Eye Reduction
	Battery Low		Flash Strobe ON
	Out of Battery		Economic Resolution
Auto Focus			Normal Resolution
	Auto Focus		Fine Resolution
	Macro		Attach Voice
	Normal		Backlight Compensation
Mark for DPOF			Portrait
	Print mark		Landscape
	E-mail mark		Sports
Movie Recording			Night Portrait
	Economic Resolution		Daylight
	Normal Resolution		Cloudy
	Fine Resolution		Fluorescent
Audio Set			Tungsten
	Long Play Record		Quick Review
	Standard Play Record		Date Display

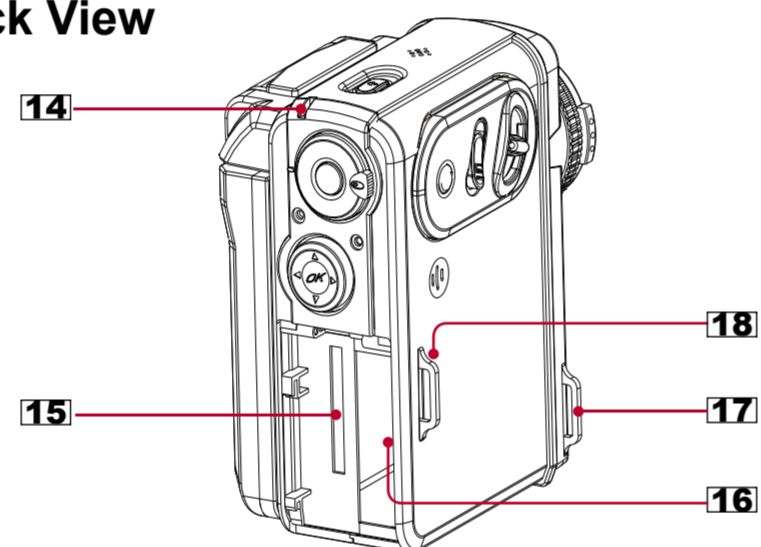
1 PRODUCT TOUR

Front View



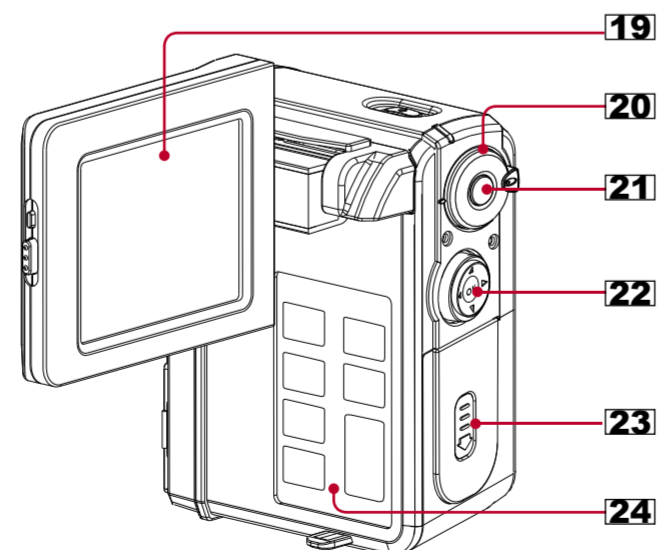
- | | |
|-------------------------------|-------------------------------|
| 1 Built-in Microphone | 7 Lens |
| Do not touch while recording. | 8 Flash strobe |
| 2 Power button | 9 Status LED indicator |
| 3 AE-Lock button | 10 Earphone jack |
| 4 AF/Shutter | 11 USB port |
| 5 Speaker | 12 AV OUT jack |
| 6 Zoom | 13 DC IN jack |

Back View



- | |
|--------------------------------------|
| 14 Power/Charge LED indicator |
| 15 SD/MMC card slot |
| 16 Battery slot |
| 17 Hook for strap |
| 18 Hook for strap |

Side View



- | |
|---------------------------|
| 19 LCD screen |
| 20 Mode dial |
| Record Voice |
| Take Picture/Record Video |
| Playback |
| MP3 |
| Menu |
| 21 Record button |

22] Direction Control button



- ▲ Back Light [On/Off]/Playback Zoom/ Stop
- ▲ Self-Timer [On/Off]/F.Bwd/Previous
- ▶ Flash [Off/On/Auto/Red Eye]/F.Fwd/Next

▼ Display

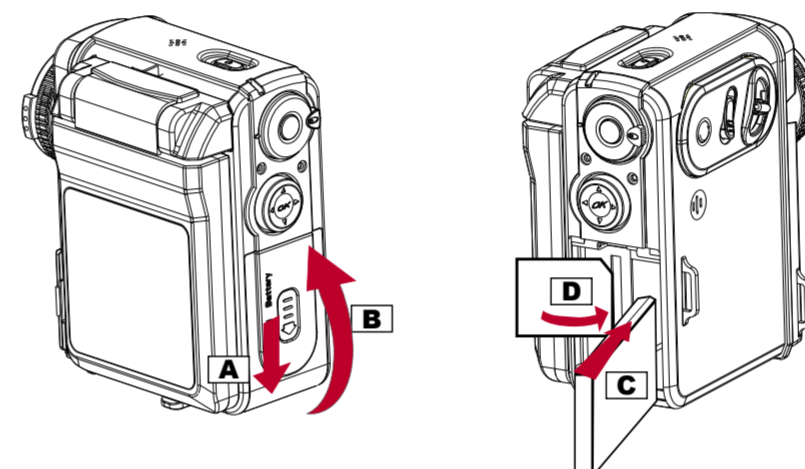
- Record: OSD off / LCD off / LCD on & OSD on
- Playback: Single / OSD off / LCD off / LCD on & Thumbnail
- OK / Play / Pause / Exit (Playback Zoom)

23] Battery/SD/MMC slot cover

24] Operation panel



2 LOADING BATTERY / MMC CARD



- A** Slide the Battery/SD/MMC cover in the direction of the arrow (down).
- B** Lift the Battery/SD/MMC slots cover up.
- C** Insert the Battery into the battery slot.
- D** Insert the MMC memory card into the SD/MMC card slot.

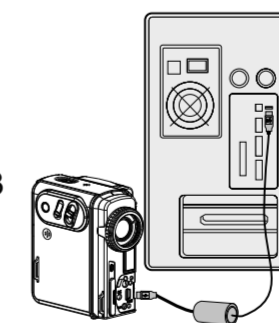
Note1: When the MMC memory card is correctly inserted a "click" sound will be heard.
Note2: The device can only work with a MMC card inserted.

3 CHARGING THE DEVICE

There are three ways to charge this device. First, charge it via USB cable. Second, charge it via AC adapter. Third, charge it via the Dock Station (optional).

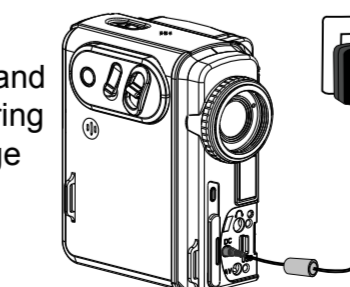
Charging the device via USB cable

- Connect the device to a computer with the **USB cable** provided in the package.
- The **Charge Indicator** illuminates in **red** and starts charging. If the battery is fully charged, the **Charge Indicator** will be **turned off** automatically. (It takes about 3 hours to have it fully charged.)



Charging the device via AC Adapter

- Connect the AC adapter to the DC IN jack on the device and the power plug to a power outlet.

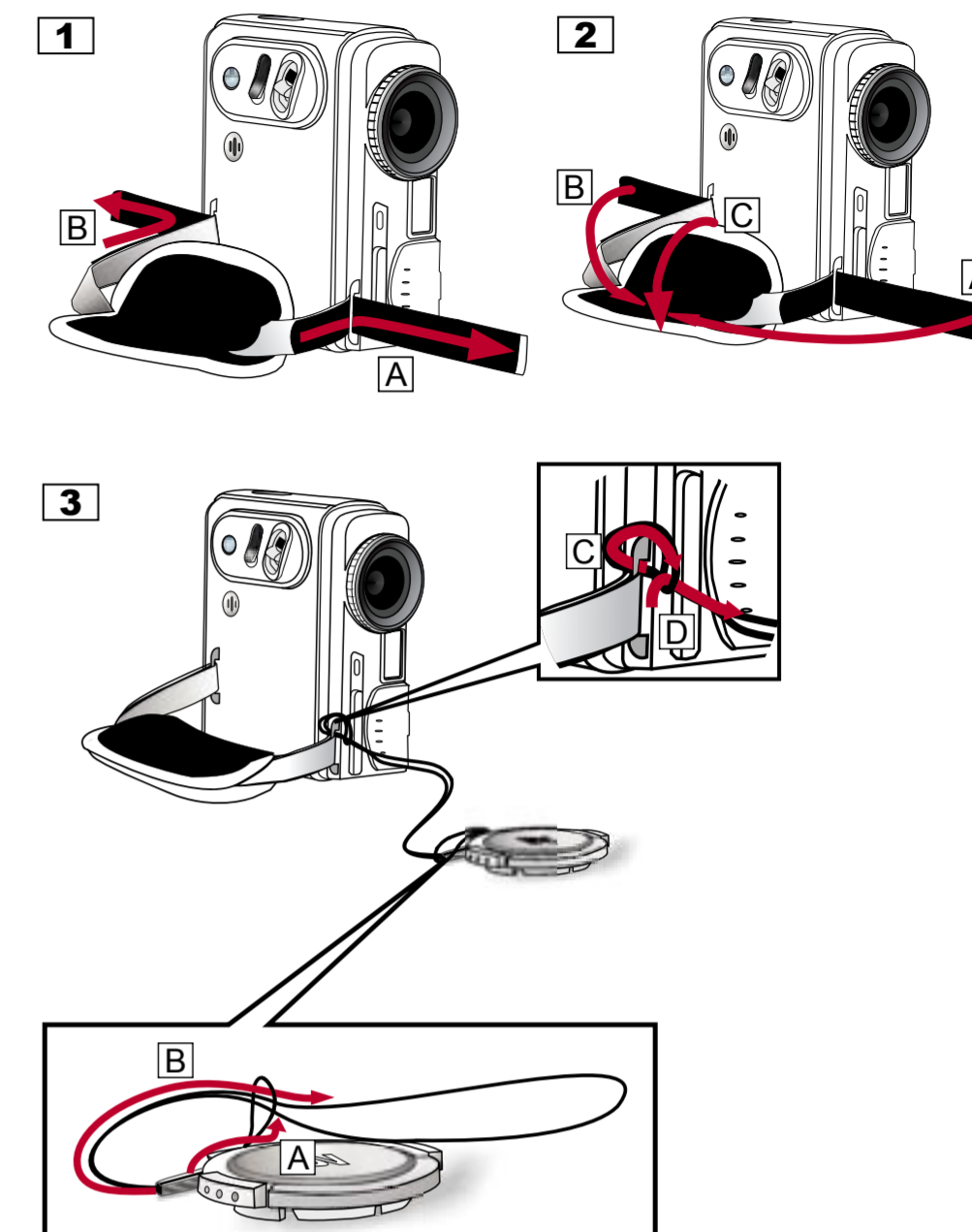


- The **Charge Indicator** illuminates in **red** and starts charging. Turning on the device during the charging stage will lengthen the charge time.

Charging the device via Dock Station (Optional)

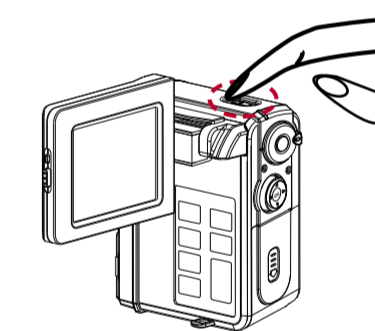
Please refer to the *Dock Station Getting Started* for more detail.

4 ATTACHING THE STRAP

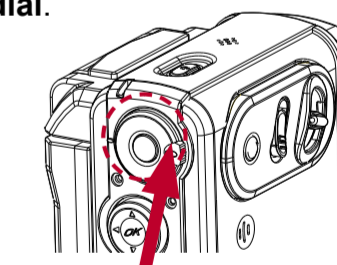


5 Rec RECORDING VIDEO

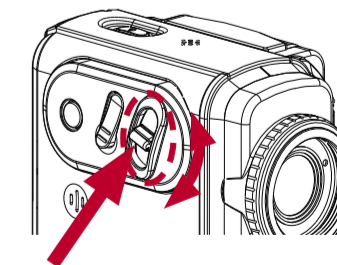
- Power **ON** the device.
(Power indicator will light up in **Green** color.)



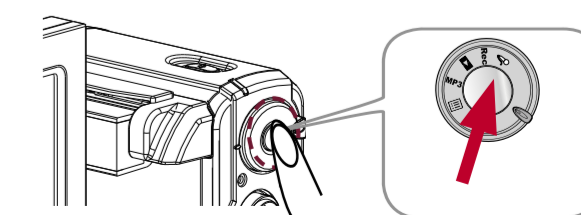
- Switch to **Rec** (video/picture) on the **Mode dial**.



- Glide to **T** (zoom-in) / **W** (zoom-out) to frame your video.



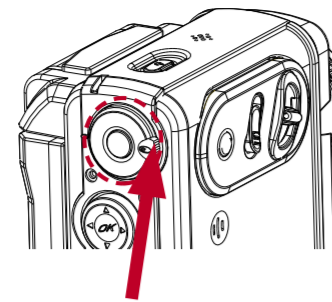
- Press **Record** to start recording.



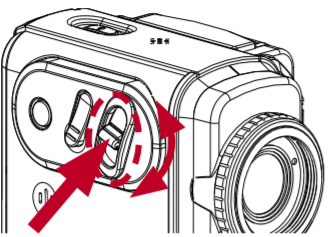
- Press **Record** again to stop recording.

6 Rec TAKING PICTURE

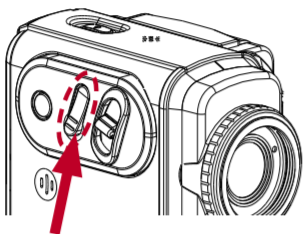
1. Switch to **Rec** (video/picture) on the **Mode dial**.



2. Glide to **T** (zoom-in) / **W** (zoom-out) to frame your picture.



3. Press **Shutter** halfway to focus picture and completely down to take a picture.

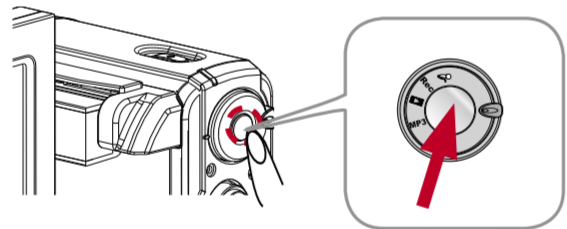


7 RECORDING VOICE MESSAGES

1. Switch to **Voice** on the **Mode dial**.

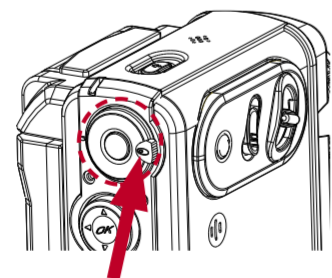


2. Press **Record** to start recording and press again to stop.

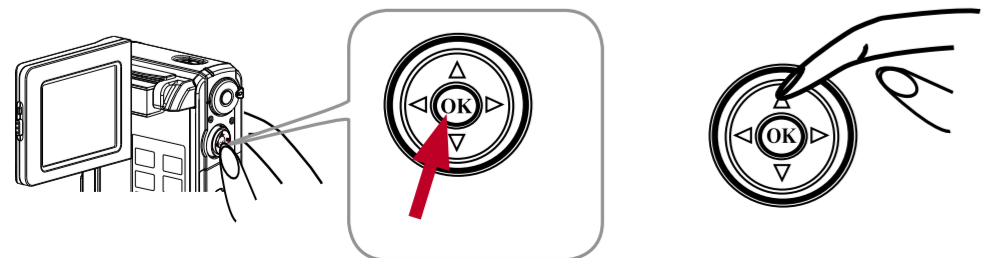


8 MP3 PLAYING MP3

1. Switch to **MP3** on the **Mode dial**.



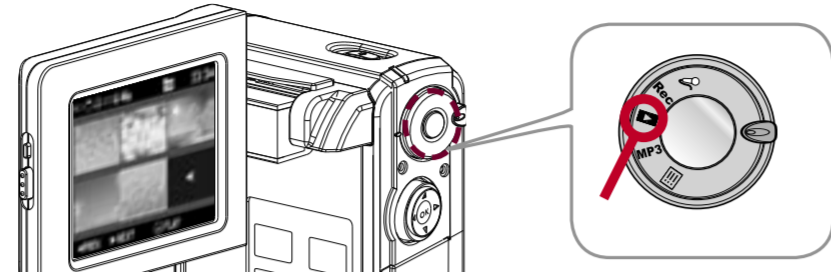
2. Press **OK** to start playing. Press **▲** to stop playing.



9 PLAYBACK

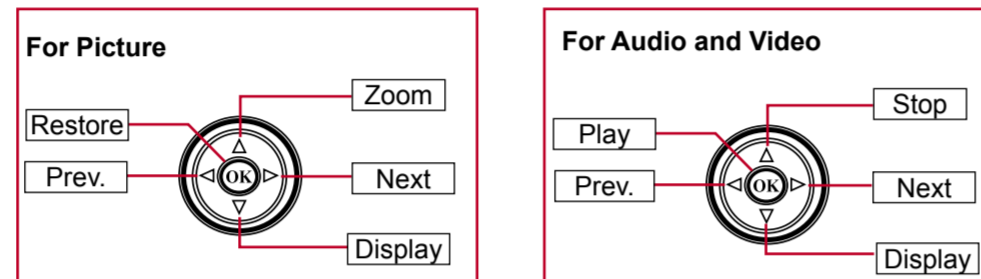
Playback on LCD

1. Switch to **▶** (Playback) on the **Mode dial**.



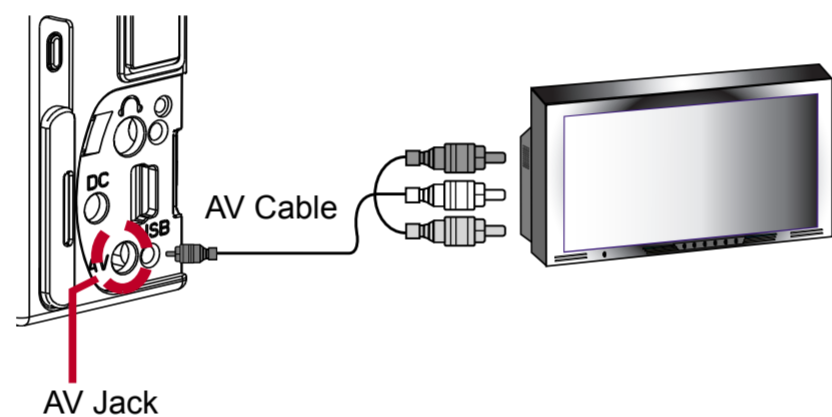
2. Recorded files list on the LCD screen.

3. Use the **Direction Control buttons** to navigate through the media.



Playback on TV

1. Connect the device to a TV set with the **AV cable**.



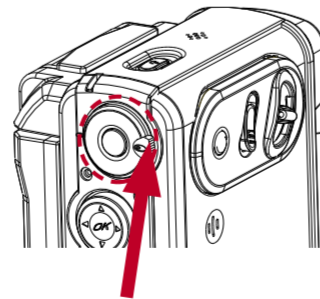
2. Connect **yellow** end of the cable to the **Video input (yellow) jack** on your TV set.

3. Connect the **red** and **white** ends of the cable to the **Audio input (red, white) jacks** on your TV set.

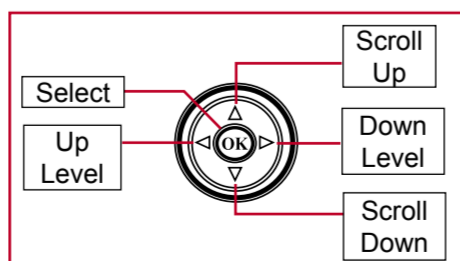
Note: This device can also connect to other devices that are equipped with **Audio and Video input jacks**. (ex. VCR, DVD Recorder and etc..)

10 MENU SETTING

1. Switch to **☰** (Menu) on the **Mode dial**.



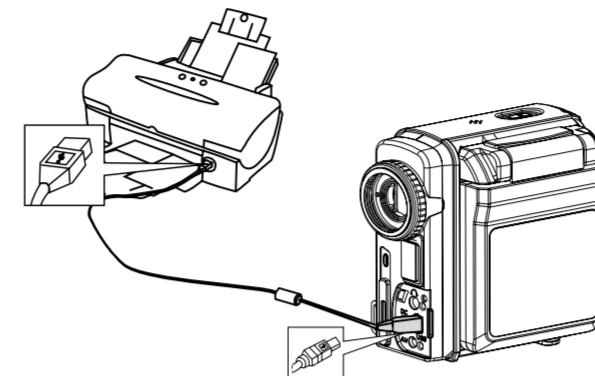
2. Use the **Direction Control buttons** to navigate through the functions and settings.



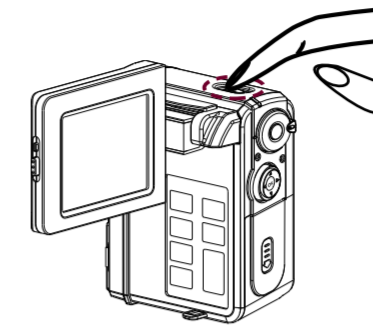
11 DIRECT PRINTING

Direct Print provides a direct connection for the device to communicate with printers. If you connect the device to a **PictBridge™ compatible printer**, then the pictures stored in the device can be printed directly without attaching to any computer or third party device. It's just that easy!

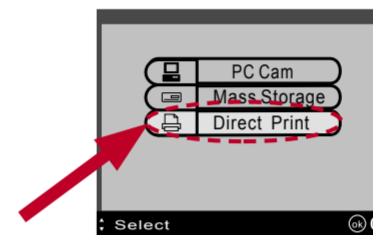
1. Connect the device to a printer via an **USB cable**.



2. Power **ON** the device.



3. Select **Direct Print** from the **OSD Menu** of the device.



4. Press **OK** on the **Direction Control** to confirm the device is connected to a printer.



5. Select your preferred settings from the **menu**.

Main menu	Item	Setting	Description	
Direct Print	Select PIC	Select	Mark still images for direct printing.	
		All		
		Cancel		
Optimal		On	Optimize image processing.	
		Off		
Paper Set	Copies	Select number of copies to be printed for each marked image.		
		Size	4" X 6"	Select paper size.
			5" X 7"	
			8.5" x 11"	
Default				
Paper	Paper	Photo	Select paper quality.	
		Fast Photo		
		Default		
Border	Border	Off	Apply borders to printing images.	
		On		
		Default		
Print			Print marked images.	

6. Select **Print** from the menu to print the selected picture.

Note: When the device is connected to a computer under **Direct Print** mode, Windows OS will ask for a device driver. We **do not** provide such driver.

12 AUTO LAUNCH SETTING

1. After install the driver, a DV device icon will appear on your Windows OS taskbar. **Right click** on the icon to open the selection menu.



3. Press **Enter** to confirm and exit.

2. Select **Auto Launch Setting** from the menu and choose either **Easy Transfer** or **MAX Console** as your default file transfer application.



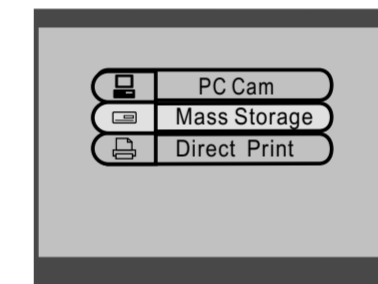
Note: We strongly recommend users to use **Easy Transfer** as your default transfer application.

13 STORING TO COMPUTER

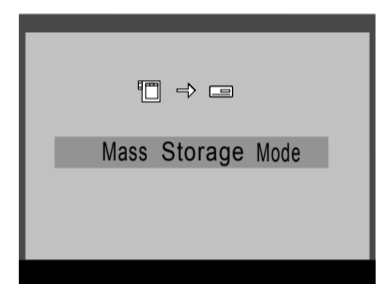
1. Connect the device to your computer with the **USB cable**. (Please refer to **Section 3** to connect your USB cable.)

2. Power **ON** the device.

3. Select **Mass Storage** from the OSD menu press **OK** to enter.



4. The following screen will appear for 2 seconds before entering **Mass Storage mode**.



5. **Easy Transfer** or **MAX Console** will launch automatically according to Auto Launch Setting.

6. For **Easy Transfer** single file transfer dialogue or transfer all progress bar will appear depending on your **Easy Transfer** setting.



7. For **MAX Console**, select the device's drive and go to the **DCIM/100MEDIA** folder for audio clips, pictures, videos and go to the **MP3** folder for MP3 files.



(Use the **Drag and Drop** method to copy files to your computer and vice versa.)

Important: In order for MP3 files to be playable on your device be sure to store those files in the **MP3** folder. If the **MP3** folder does not exist, you may create the folder manually and name it as **MP3**.

Free Manuals Download Website

<http://myh66.com>

<http://usermanuals.us>

<http://www.somanuals.com>

<http://www.4manuals.cc>

<http://www.manual-lib.com>

<http://www.404manual.com>

<http://www.luxmanual.com>

<http://aubethermostatmanual.com>

Golf course search by state

<http://golfingnear.com>

Email search by domain

<http://emailbydomain.com>

Auto manuals search

<http://auto.somanuals.com>

TV manuals search

<http://tv.somanuals.com>