

**NAD**

**T741**

AV Surround Sound Receiver



**GB**

Owner's Manual



**GB**

#### **NOTES ON INSTALLATION.**

Your NAD T741 should be placed on a firm, level surface. Avoid placing the unit in direct sunlight or near sources of heat and damp.

Allow adequate ventilation. Do not place the unit on a soft surface like a carpet. Do not place it in an enclosed position such a bookcase or cabinet that may impede the air-flow through the ventilation slots.

Make sure the unit is switched off before making any connections.

The RCA sockets on your NAD T741 are color coded for convenience. Red and white are Right and Left audio respectively, black for digital input, yellow for Video Composite and NAD Link.

Use high quality leads and sockets for optimum performance and reliability. Audio RCA leads will function correctly for video signals, although it is recommended to use dedicated video leads where possible. For the digital inputs use dedicated leads for digital signal transfer. Ensure that leads and connectors are not damaged in any way and all connectors are firmly pushed home.

For best performance, use quality speaker leads of 16 gauge (1.5mm) thickness or more.

If the unit is not going to be used for some time, disconnect the plug from the AC socket.

Should water get into your NAD T741, shut off the power to the unit and remove the plug from the AC socket. Have the unit inspected by a qualified service technician before attempting to use it again.

Do not remove the cover, there are no user-serviceable parts inside.

Use a dry soft cloth to clean the unit. If necessary, lightly dampen the cloth with soapy water. Do not use solutions containing benzol or other volatile agents.



#### EXPLANATION OF GRAPHICAL SYMBOLS



The lightning flash with arrowhead symbol, within an equilateral triangle, is intended to alert the user to the presence of uninsulated "dangerous voltage" within the product's enclosure that may be of sufficient magnitude to constitute a risk of electric shock to persons.



The exclamation point within an equilateral triangle is intended to alert the user to the presence of important operating and maintenance (servicing) instructions in the literature accompanying the appliance.

#### PRECAUTIONS

Read the Operating Instructions carefully and completely before operating the unit. Be sure to keep the Operating Instructions for future reference. All warnings and cautions in the Operating Instructions and on the unit should be strictly followed, as well as the safety suggestions below.

#### INSTALLATION

- 1 Water and Moisture** - Do not use this unit near water, such as near a bathtub, washbowl, swimming pool, or the like.
- 2 Heat** - Do not use this unit near sources of heat, including heating vents, stoves, or other appliances that generate heat. It also should not be placed in temperatures less than 5°C (41°F) or greater than 35°C (95°F).
- 3 Mounting surface** - Place the unit on a flat, even surface.
- 4 Ventilation** - The unit should be situated with adequate space around it so that proper ventilation is assured. allow 10 cm (4 in.) clearance from the rear and the top of the unit, and 5 cm (2 in.) from each side. - Do not place on a bed, rug, or similar surface that may block the ventilation openings. - Do not install the unit in a bookcase cabinet, or airtight rack where ventilation may be impeded.
- 5 Objects and liquid entry** - Take care that objects or liquids do not get inside the unit through the ventilation openings.
- 6 Carts and stands** - When placed or mounted on a stand or cart, the unit should be moved with care. Quick stops, excessive force, and uneven surfaces may cause the unit and cart to overturn or fall.
- 7 Condensation** - Moisture may form on the CD pickup lens when:
  - The unit is moved from a cold spot to a warm spot.
  - The heating system has just been turned on.
  - The unit is used in a very humid room.
  - The unit is cooled by an air conditioner.

When this unit has condensation inside, it may not function normally. Should this occur, leave the unit for a few hours, then try to operate again.

- 8 Wall or ceiling mounting** - The unit should not be mounted on a wall or ceiling, unless specified in the Operating Instructions.



#### WARNING! TO REDUCE THE RISK OF FIRE OR ELECTRONIC SHOCK, DO NOT EXPOSE THIS APPLIANCE TO RAIN OR MOISTURE

This product is manufactured to comply with the radio interference requirements of EEC DIRECTIVE 89/336/EEC and 73/23/EEC

## ELECTRIC POWER

- 1 Power Sources** - Connect this unit only to power sources specified in the Operating Instructions, and as marked on the unit.
- 2 Polarization** - As a safety feature, some units are equipped with polarized AC power plugs which can only be inserted one way into a power outlet. If it is difficult or impossible to insert the AC power plug into an outlet, turn the plug over and try again. If it still does not easily insert into the outlet, please call a qualified service technician to service or replace the outlet. To avoid defeating the safety feature of the polarized plug, do not force it into a power outlet.
- 3 AC power cord** - When disconnecting the AC power cord, pull it out by the AC power plug. Do not pull the cord itself.
  - Never handle the AC power plug with wet hands, as this could result in fire or shock.
  - Power cords should be routed to avoid being severely bent, pinched, or walked upon. Pay particular attention to the cord from the unit to the power socket.
  - Avoid overloading AC outlets and extension cords beyond their capacity, as this could result in fire or shock.
- 4 Extension cord** - To help prevent electric shock, do not use a polarized AC power plug with an extension cord, receptacle, or other outlet unless the polarized plug can be completely inserted to prevent exposure of the blades of the plug.
- 5 When not in use** - Unplug the AC power cord from the AC outlet if the unit will not be used for several months or more. When the cord is plugged in, a small amount of current continues to flow to the unit, even when the power is turned off.

## CAUTION

Modifications or adjustments to this product, which are not expressly approved by the manufacturer, may void the user's right or authority to operate this product.

## MAINTENANCE

Clean the unit only as recommended in the Operating Instructions.

## DAMAGE REQUIRING SERVICE

Have the unit serviced by a qualified service technician if

- The AC power plug has been damaged.
- Foreign objects or liquid have gotten inside the unit.
- The unit has been exposed to rain or water - The unit does not seem to operate normally.
- The unit exhibits a marked change in performance.
- The unit has been dropped, or the cabinet has been damaged

## DO NOT ATTEMPT TO SERVICE THE UNIT YOURSELF

## OWNER'S RECORD

For your convenience, record the model number and serial number (you will find them on the rear of your set) in the space provided below. Please refer to them when you contact your dealer in case of difficulty.

Model No. :

Serial No. :

**GB**

FIG. 1 REAR PANEL CONNECTIONS

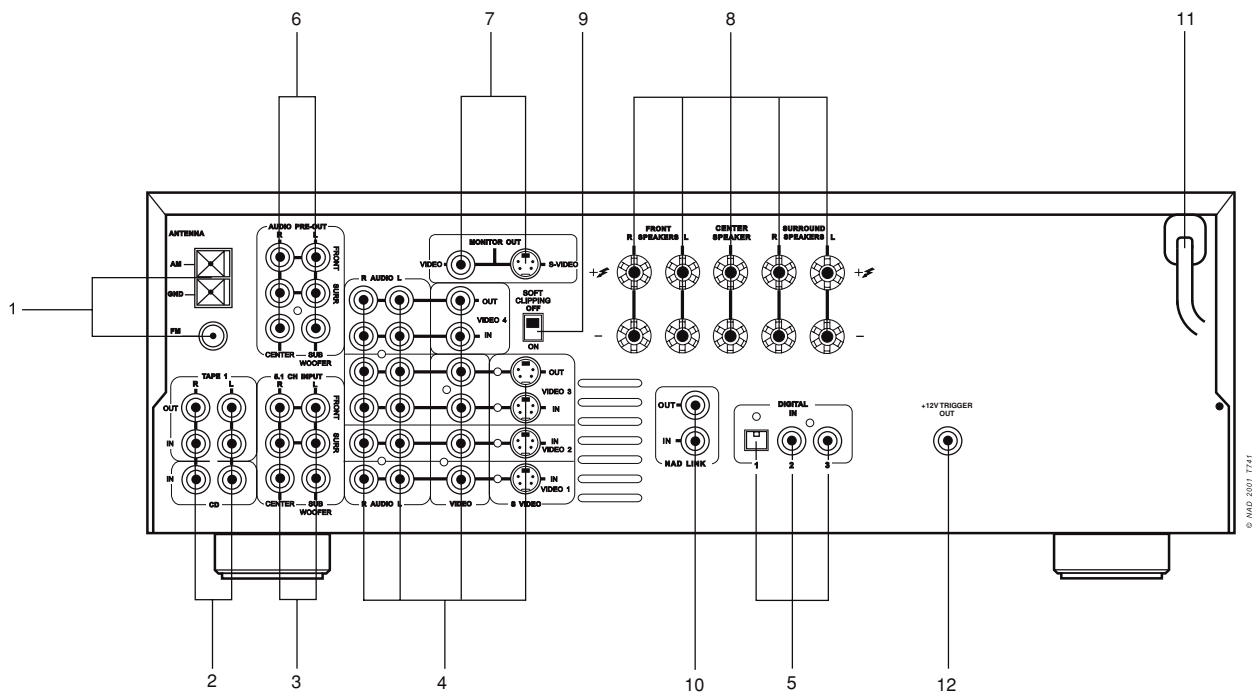
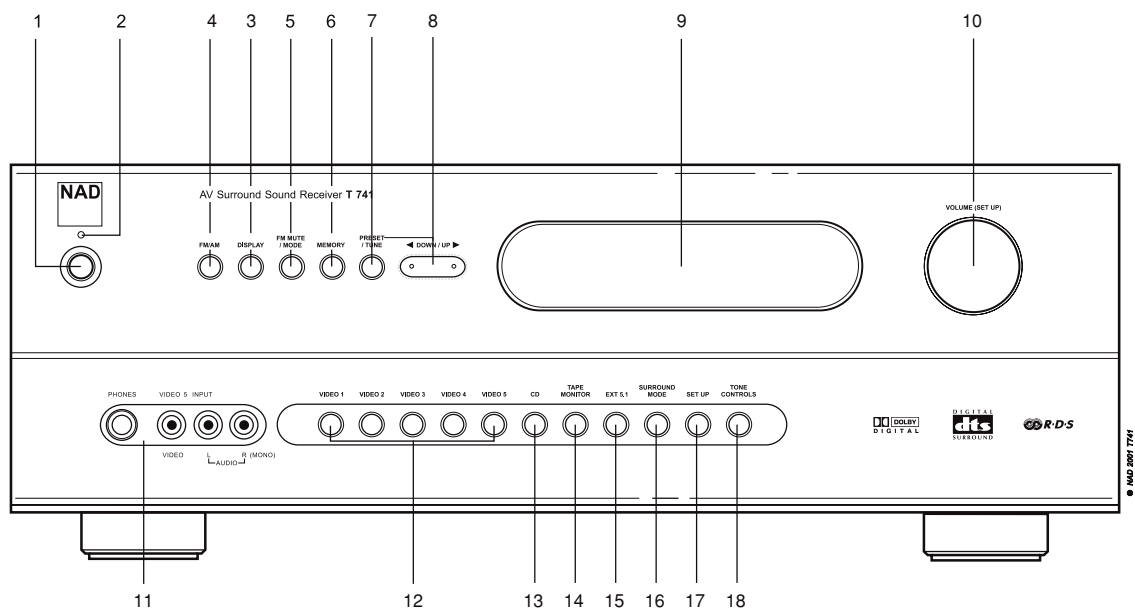
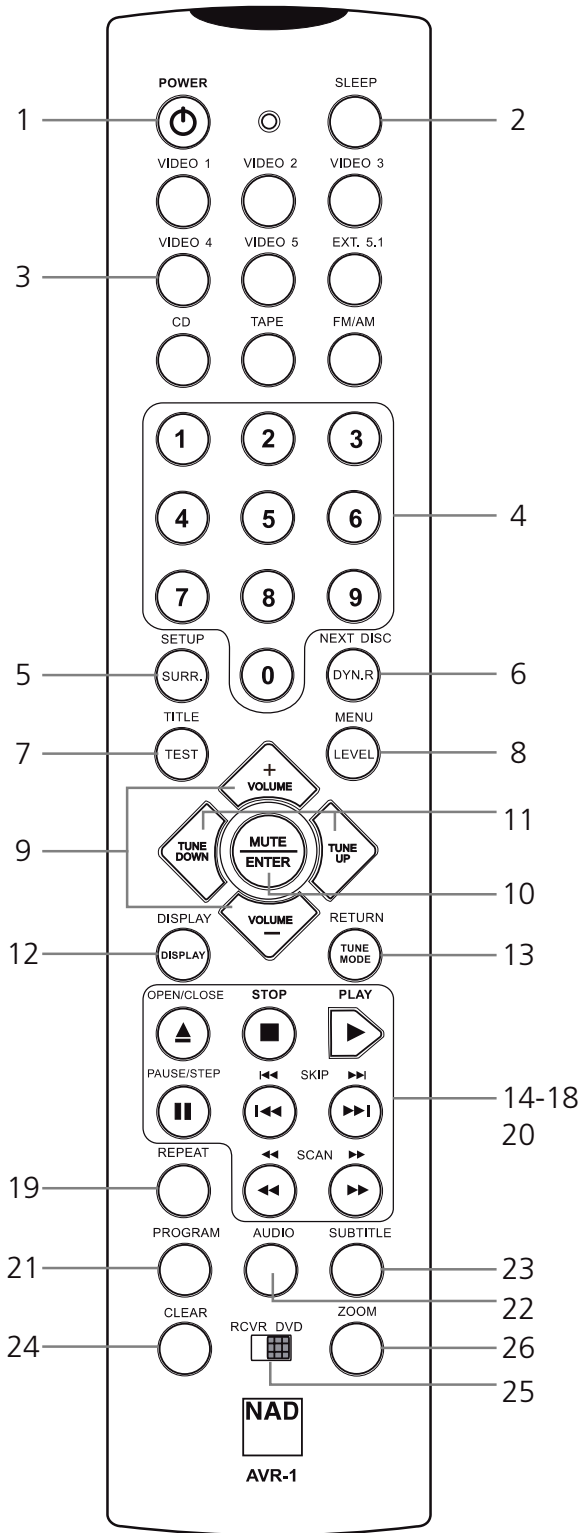


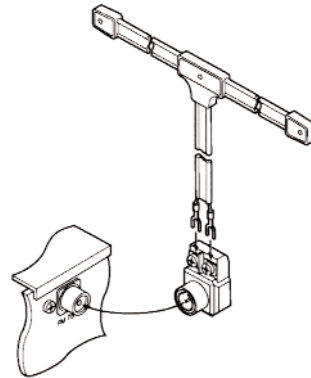
FIG. 2 FRONT PANEL CONTROLS



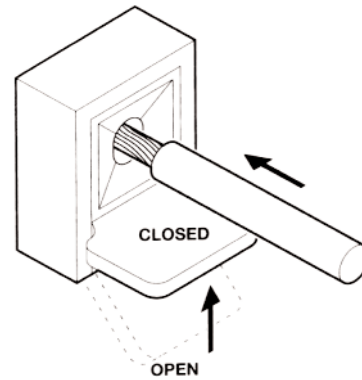
**FIG. 3 REMOTE CONTROL**



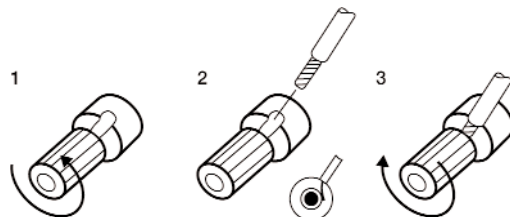
**FIG. 4**



**FIG. 5**



**FIG. 6**



**GB**

## REAR PANEL CONTROLS (FIGURE 1)

### 1. FM & AM ANTENNA

**AM ANTENNA** - An AM loop antenna is supplied with the T741 and is required for AM reception. Open the clip terminal lever and insert the wire from the antenna. Closing the lever will lock the wire in place (Fig. 5). Test various positions for the antenna, but always ensure the loop is placed vertically for best reception. Placing the antenna close to large metal items such as metal shelves or radiators may interfere with reception.

#### NOTE

*When reception is not satisfactory using the supplied AM loop antenna alone, connection of an external antenna is recommended. Do not connect anything other than a loop antenna to the AM ANTENNA terminal. Do not remove the AM loop antenna. The antenna cable to the loop antenna must not exceed 3 meters.*

**FM ANTENNA** - A ribbon wire FM antenna is included and should be connected to the FM connector at the rear of the unit (Fig. 4) using the 'balun' adapter supplied. The ribbon aerial should be mounted on a vertical surface and placed so that it forms a 'T'.

Experiment with placement of the antenna to find the position that gives the best signal strength and lowest background noise. An inadequate FM signal normally results in high levels of hiss, especially in stereo, and interference from external electrical sources. In areas of poor FM reception, the tuner section's performance can be improved by using an externally mounted FM antenna. A qualified aerial installer will be able to advise and fit a recommended aerial for your reception conditions.

### 2. TAPE 1 & CD INPUT

**TAPE 1** - Connections for analogue recording and playback to an audio tape recorder of any type, such as a cassette, reel-reel, DAT, MD or DCC. Using twin RCA-to-RCA leads, connect to the left and right 'Audio Output' of the tape machine to the TAPE 1 IN connectors for playback. Connect the left and right 'Audio Input' of the tape machine to the TAPE 1 OUT connectors for recording.

**CD INPUT** - Input for CD player (analogue audio signal) or other line-level signal source. Use a twin RCA-to-RCA lead to connect the CD player's left and right 'Audio Outputs' to this input.

### 3. 5.1 CHANNEL INPUTS

Inputs for the multi-channel audio signals from an external decoder, such as an MPEG decoder or a DVD player with integrated decoder. Use two twin RCA-to-RCA lead to connect the decoder's front left and right "Audio Outputs" to the Front left and right inputs, and the decoder's Surround left and right outputs to the Surround left and right inputs. Use a third twin RCA-to-RCA lead to connect the decoder's subwoofer output to the Subwoofer input and the decoder's Center channel output to the Center channel input. Make sure you to follow color coding of the plugs to ensure that both Center and Subwoofer are connected correctly, for instance, use the red plugs at either end to connect the center channel and the white plugs for the subwoofer channel.

### 4. VIDEO 1 - VIDEO 4 (AUDIO & VIDEO)

Apart from the audio signal, these inputs will also accept a video signal which will be routed to the Monitor Out sockets (No. 7) for a television or video projector. The Video 1,2 and 3 inputs also have the option of an S-Video connection (using the Mini-Din connector) or the standard Video Composite connection (using the yellow RCA socket).

The S-Video standard allows for higher quality video signal transfer when compared to the Video Composite standard. If your video components have an S-Video connector use dedicated S-Video leads to connect them to the T741 in the same way as described with the Video composite equivalents.

A video signal fed to an S-Video input socket will be available on both the S-Video Monitor Out and Video composite Monitor Out.

**VIDEO 1 & VIDEO 2** - Inputs for the audio playback and video signal from a video device such as a stereo TV, DVD player, satellite cable TV receiver or a Laser Disc. Using twin RCA-to-RCA leads, connect to the left and right 'Audio Out' of the video device to these inputs. Using a single RCA-to-RCA lead (Video Composite) or S-Video lead, also connect the video output of the video device; refer also to the description of S-Video and Video Composite above in this section. VIDEO 1 & VIDEO 2 can be used for video playback only. Use VIDEO 3 or VIDEO 4 if you want to connect a VCR for recording and playback through the T741.

The optical Digital Input 1 (No. 5) is linked to the Video 1 input. Select Video 1 to hear a source connected to Digital Input 1.

The coaxial Digital Input 2 (No. 5) is linked to the Video 2 input. Select Video 2 to hear a source connected to Digital Input 2.

**VIDEO 3 & VIDEO 4** - Connections for the audio recording and playback to a VCR or other video recorder. Using twin RCA-to-RCA leads, connect to the left and right 'Audio Out' of the VCR to the VIDEO 3 or VIDEO 4 IN connectors for playback. Connect the left and right 'Audio In' of the VCR to the VIDEO 3 or VIDEO 4 OUT connectors for recording. Using a single RCA-to-RCA (Video Composite) lead or S-Video lead, also connect the video output of the VCR to Video In for Video playback. Connect the Video Input of the VCR to Video Out of the NAD T741 receiver for recording of video signals. Refer also to the description of S-Video and Video Composite above in this section.

The coaxial Digital Input 3 (No. 5) is linked to the Video 3 input. Select Video 3 to hear a source connected to Digital Input 3.

### 5. DIGITAL AUDIO INPUTS

The T741 has three digital audio inputs to allow for connection of DVD, CD, Satellite receiver or other digital sources:

Digital Audio Input 1 allows for connection of a digital source with an Optical output. Use a cable terminated with a TOS Link connector. Digital input 1 is linked to the Video 1 input.

Digital Audio Inputs 2 & 3 allow for connection of a digital source with a Coaxial digital output. Use a cable with the right impedance, specifically designed for the transfer of digital signals. These digital inputs are linked respectively to VIDEO INPUT 2 and VIDEO INPUT 3.



## 6. AUDIO PRE-OUTS / SUBWOOFER OUT

**AUDIO PRE-OUTS** - The NAD T741 receiver has five power amplifiers built-in to power all the speakers connected to it (Left, Right, Center, Left Surround, Right Surround). It is also possible to use the T741 as a pre-amplifier to drive external power amplifiers. This way, you use all the control functions the T741 provides, such as input select, surround mode, volume, tone controls, etc., but the external power amplifier actually powers the speaker connected to it instead of the T741's integrated power amplifier for that channel.

Connect the RCA-to-RCA leads from the Front left and Right, Center, and/or Surround Left and Right Audio pre-out connectors to the external amplifiers. Connect speakers to the external amplifiers.

### NOTES

- *Never connect the T741's speaker outputs and the speaker outputs of an external amplifier to the same speakers. When headphones are inserted the signals from all audio pre-out outputs will be muted.*
- *Before making any connections, check that the T741 and the power amplifiers it will be connected to are switched off. With volume turned down to a low level, switch power on only after all connections have been made.*

**SUBWOOFER OUT** - Unlike for the full range five channels as described above, there is no power amplifier built-in for an additional subwoofer. The Subwoofer pre-out allows for connection to a sub-bass speaker system with its own external or integrated power amplifier ("active" subwoofers).

## 7. MONITOR OUT

Composite Video and S-Video outputs for connecting a TV or Video Monitor to view video sources connected to VIDEO 1 to VIDEO 5. Using a Video RCA-to-RCA lead, connect the "Video Line In" on the TV or monitor to the MONITOR OUT.

Note that an S-Video signal will also be available as a Video Composite signal on Monitor out, if the corresponding source is selected. The composite video input signals (No. 4; yellow sockets) will also be available as S-Video signal on the Monitor Out socket. If you use both S-Video and Video composite sources, you will only need to connect the S-Video Monitor Out to the television or projector.

## 8. SPEAKERS: FRONT, CENTER & SURROUND SPEAKERS

**FRONT SPEAKERS** - Connect the right speaker to the terminals marked 'FR' ensuring that the red terminal is connected to the '+' terminal on your loudspeaker and the black terminal is connected to the loudspeaker's '-' terminal. Connect the terminals marked "FL" to the left speaker in the same way.

Always use heavy duty (16 gauge; 1.5mm or thicker) stranded wire to connect loudspeakers to your T741. Unscrew the speaker terminal's plastic bushing. Insert the bare cable end into the hole of the terminal and then secure the cable by tightening down the terminal's bushing (Fig. 6).

To avoid any danger of bare metal from the speaker cables touching the back panel or another connector, ensure that there is only 1/2" (1.27cm) of bare cable and no loose strands of speaker wire.

### NOTE

*This unit is designed to produce optimum sound quality when speakers with impedance within the set's ranges are connected. Please check the following information and choose speakers with the correct impedance for the connections.*

FRONT SPEAKERS A: 8 ohms min. per speaker;

CENTER SPEAKER B: 8 ohms min.

SURROUND SPEAKERS: 8 ohms min. per speaker

**CENTER SPEAKER** - The terminal marked 'C' connects to the center loudspeaker that is used when the T741 is operated in Dolby\* Digital, DTS, Dolby Pro Logic, EARS surround sound mode or with the 5.1 Ch. input selected.

Connect the center speaker in the same way as described with front speakers above.

**SURROUND SPEAKERS** - This connects the Surround loudspeakers that are used when the T741 is operated in Dolby Digital, DTS, Dolby Pro Logic, EARS Surround sound modes or with the 5.1 Ch. input selected.

Connect the surround speakers in the same way as described with FRONT SPEAKERS above; connect the left surround speaker to the set of terminals marked 'SL' and the right surround speaker to the terminals marked 'SR'.

### NOTE

*The Center and/or Surround speakers must be selected as Large or Small in the Set-up menu "SPK SET" when speakers are connected to these outputs.*

## 9. SOFT CLIPPING

When any amplifier is driven beyond its power output capabilities, a hard, distorted sound can be heard on very loud sounds. This is caused by the amplifier cutting off or 'hard clipping' the peaks of sound that it was not designed to reproduce. The NAD Soft Clipping circuit gently limits the output of the system to minimize audible distortion if the amplifier is overdriven.

If your listening involves moderate power levels you may leave the Soft Clipping switch off. If you are likely to play at high levels that exceed the amplifier's power capability, then switch Soft Clipping on.



## 10. NAD-LINK IN OUT

The NAD-Link connector is used to pass commands from other units fitted with NAD-Link connectors. This allows centralized control of a complete system, and also allows some of the basic functions of other NAD components (such as a CD player) also equipped with NAD-Link to be controlled with the receiver's remote control. To function with such other units, connect the T741's NAD-Link Out to the NAD-Link In on the other unit. NAD-Link connectors can be daisy-chained, IN to OUT, so that a whole system can be controlled from the remote control facilities of one unit.

### NOTES

- *It is advisable not to connect NAD-Link if these units that have their own built-in remote control command receiver and are positioned together, in direct view from the remote control handset. If you are unsure, try operating the products without NAD-Link first; if the unit responds to the remote control command, it will not be necessary to connect NAD-Link.*
- *Never loop the last unit back to the first NAD unit in the NAD-Link chain.*
- *Unplug all units from the mains before connecting or disconnecting NAD-Link.*

## 11. AC POWER CORD

After you have completed all connections to the amplifier, plug the AC line cord into a "live" wall socket.

## 12. 12 VOLT TRIGGER OUT

The 12V trigger output allows to remotely switch on or off ancillary equipment such as a CD player, power amplifier, etc. which are also equipped with a 12V trigger input. This can also be an AC outlet power strip equipped with a 12V trigger input. The 12V trigger output is activated whenever the T741 is switched to normal operational mode from Stand-by or Off.

For switching Stand-by/Power On of the external component, connect the 12V trigger output of the T741 to the remote component's DC input jack. The plug required is a standard 3.5mm Mini-Jack plug ("mono"): The tip is the live or + connection, the shaft of the jack is the 12V trigger - or ground connection.

### NOTES

- *Check the specifications of the trigger input terminal on the other component to ensure it is compatible with the T741's 12V trigger output.*
- *The T741's 12V trigger output voltage is 12VDC. The total maximum current must not exceed 200mA. Typically, NAD 12V input triggers draw less than 10mA of current.*
- *NAD components equipped with 12V input triggers are fully compatible with the T741's 12V trigger output.*
- *Before making any connections to any 12V trigger input or output, make sure all components are disconnected from the AC mains.*

Failure to observe the above may result in damage to the T741 or any ancillary components attached to it. If in doubt over the connections, installation and operation of the 12V trigger output consult your NAD dealer.

## FRONT PANEL CONTROLS (FIGURE 2)

### 1. POWER

Press the POWER button to switch the receiver to STANDBY mode. Press any input selector button on the front panel or the POWER button (No. 1) on the Remote Control to switch the receiver fully on. The display will light up indicating which input was selected; the Stand-by indicator will extinguish. Pressing the POWER switch again will turn the unit OFF completely. The NAD T741 receiver uses a memory back-up system to store surround sound trim settings and Preset station information for the tuner section. This information is retained for several weeks, even the unit is switched off completely or unplugged.

### REMOTE CONTROL

**Power button** - Press this button to switch the unit from operating to the Stand-by mode and vice versa. Press this button again to switch to unit on from Stand-by; the last selected source will be indicated in the display.

### NOTE

*Stand-by mode is indicated by the Stand-by indicator (No. 2) just over the green Power button on the front panel (No. 1).*

In Stand-by mode the T741 uses very little power. However, it is recommended that you switch the unit totally off if it is not going to be used for more than a couple of days. Switch off completely by pressing the Power button on the front panel (No. 1), all lights will extinguish.

### 2. STAND-BY INDICATOR

This green LED will light up when the receiver is switched On, but in Stand-by mode. Refer to section 1 in this chapter for more information.

### 3. DISPLAY

The T741's FM tuner supports RDS PS and RDS RT. With stations carrying RDS information, "RDS" will light up in the display panel, and the station's RDS name is automatically displayed (RDS PS).

Some radio stations, which support RDS, also transmit additional information, known as Radio Text (RDS RT). To view this information, use the Display button. With stations carrying RDS information, the DISPLAY button scrolls between three different display modes, each successive push of the button engages the next one of the three modes:

- a) In the default mode, the station's RDS name is displayed, Program Service (PS; normally the station's calling letters, BBC R3, for instance).
- b) From the default mode, press the button once to view Radio Text (RT). This can be additional information such as the presenter's or program's name; what song is playing, etc. This text scrolls continuously over the 8 alphanumeric display segments. It takes a few seconds for the tuner to gather the RT information, so immediately after tuning to a station and selecting to view RT the display will indicate "NO TEXT" and default to the station name. If no RT information is available, the display will also show "NO TEXT" for three seconds before reverting to the default mode.
- c) Press the button from the display RT mode to display the station frequency. Press again to return to the default mode (a).

When the DISPLAY button is pressed when tuned to a non-RDS station the display will show "NO NAME" for three seconds before reverting to the default display.

#### 4. FM/AM

The FM/AM button switches the tuner section from the AM band to the FM band and vice-versa. The Display Panel shows the frequency of the tuned station and which band is selected. The FM tuning is in 0.05 MHz increments, AM tuning is in 9 kHz or 10kHz increments, depending on the version (9 kHz for the 230V version or 10 kHz for the 120V version). To change the AM increment tuning steps, press the FM/AM and CD buttons at the same time.

#### 5. FM MUTE / MODE

This button combines two functions; it switches the tuner from FM Stereo to Mono mode and disengages the muting circuitry at the same time. The muting circuit will mute the tuner in between radio stations when searching or tuning. This way the tuning noise is avoided.

Very weak radio station signals however may be suppressed by the muting circuit. If such a very weak station is in stereo it will have a high level of background hiss. Switching to Mono and disengaging the muting circuit by depressing the FM MUTE/MODE button will allow the station to be heard and will cancel most or all of this background noise.

In normal operation the mute circuit is engaged, the display indicates "FM MUTE". Press the FM Mute/Mode button to disengage the muting circuit and switch from stereo to mono reception. "FM MUTE" will extinguish in the display. Also, "FM STEREO" will extinguish if a stereo broadcast was received. Press the FM Mute/Mode switch again to return to Auto Stereo FM operation.

In combination with the MEMORY button (No. 6) and DOWN/UP buttons (No. 8) a preset number can be emptied. (Refer to the separate chapter "Storing and Recalling Presets" for more information.)

#### 6. MEMORY

The Memory button is used to store stations into the Preset Memory (1-30 Presets on FM, 1-10 Presets on AM), used in conjunction with the Down/Up (No. 8) buttons on the front panel. In combination with the FM MUTE/MODE button (No. 5) and DOWN/UP buttons (No. 8) a preset number can be emptied. When Memory is active, the Preset number flashes and the red "MEMORY" indicator is shown in the Display Panel. If no other button is pressed within 10 seconds "MEMORY" will stop flashing and the receiver will default to its previous state.

Refer to the separate chapter "Storing and recalling Presets" for more information.

#### 7. PRESET / TUNE

The Preset/Tune button toggles between the Preset and Tune mode. When Preset mode is selected, "PRESET" lights up in the display area. Up to 40 Presets, either AM (10 Presets) or FM (30 Presets), can be stored.

Refer also to separate chapter "Storing and Recalling Presets" for more information.

#### 8. DOWN / UP ▼ AND ▲

The function of these buttons depends on the tuning mode selected with the Preset/Tune button (No. 7). The Preset/Tune button toggles between the two operation modes:

- a) Preset mode (indicated in the display area): Press the ▼ (down) button to scroll to a lower number Preset; press the ▲ (up) button to scroll to a higher Preset number. This is a "wrap-around" function, so that going from the highest number Preset, the tuner will go to the lowest Preset number or vice-versa when tuning either up or down.
- b) Tune mode: Press the ▼ (down) or ▲ (up) button for more than 1/2 second to engage automatic tuning respectively up or down the frequency band. The tuner will search automatically for the first reasonably strong radio station, where it will stop. Press the Down/Up button again for 1/2 second to start searching again.

#### NOTE

*Automatic tuning is available on both FM and AM.*

By briefly tapping the ▼ (down) or ▲ (up) buttons you can engage manual tuning respectively down or up the frequency band for precise tuning to a specific frequency. With each successive tap of the keys, the tuner will take 0.05 MHz steps on FM so you can accurately tune into the desired frequency.

This tuning mode can also be useful when trying to receive a radio station which is too weak for the auto search mode. When tuned accurately to a station, "► TUNED ◀" will light up in the display. Very weak radio station signals however may be suppressed by the muting circuit. If such a very weak station is in stereo it will have a high level of background hiss. Switching to Mono and disengaging the muting circuit by depressing the FM MUTE/MODE button (No. 5) will allow the station to be heard and will cancel most or all of this background noise.

Refer to the separate chapter "Storing and Recalling Presets" for more information.

#### 9. VFL DISPLAY

Vacuum Fluorescent Display. The display area will show all vital information when the unit is operational.

#### 10. VOLUME & SET UP

In the default function, this control acts as a Volume control, adjusting the overall loudness of the signals being fed to the loudspeakers and headphones. Unlike conventional controls, the T741's volume control doesn't have a start or end position. Volume can also be adjusted from the remote control handset using the Master Volume Up or Down buttons. The Volume control does not affect recordings made using the Tape, Video 3 and Video 4 outputs but will affect the signal going to the Pre-amp output (Audio Pre Out). The volume level is indicated in the display panel when it is being adjusted. After three seconds the display defaults to its previous status. Volume setting can range from  $-\infty$  to +18dB.

On the remote control handset, press the Mute button to temporarily switch off the sound to the speakers and headphones. Mute mode is indicated by "MUTING" flashing in red in the display area. Press Mute again to restore sound. Mute does not affect recordings made using the Tape, Video 3 and Video 4 outputs but will affect the signal going to the Pre-amp output (Audio Pre Out) and headphones.



The control is also used to adjust various set-up settings and levels for the T741. In conjunction with the SETUP button (No. 17) the speakers size and delay can be adjusted; in conjunction with the Tone Control button (No. 18) the Bass and Treble levels can be adjusted. Refer also to sections "SETUP" and "Tone controls" in this chapter.

## 11. HEADPHONE SOCKET & VIDEO 5 INPUT

**HEADPHONE SOCKET** - A 1/4" stereo jack socket is supplied for headphone listening and will work with conventional headphones of any impedance. The volume and tone controls are operative for headphone listening. Use a suitable adapter to connect headphones with other types of connectors such as 3.5mm stereo 'personal stereo' jack plugs.

Inserting a headphone will automatically turn off all speakers and signals from the Audio Pre-Out sockets and switches the T741 to the stereo mode. Surround sound modes are not available when headphones are inserted in the headphone socket.

The sound from the EXT. 5.1 CH input is not available on the headphones socket.

### NOTES

- In the VFL display "Speaker settings", be sure to have selected and adjusted a preset with "MAIN SPEAKERS" set to "LARGE". If set to "SMALL", bass response will be limited.
- Listening at high levels can damage your hearing.

**VIDEO 5 INPUT** - For easy and temporary connection you can connect a camcorder (playback only) or video game console. If the game console or camcorder is mono, connect the audio lead to the R (Right) audio socket.

## 12. AUDIO & VIDEO INPUT SELECTORS

**VIDEO 1** - Video 1 selects the signal from a TV/Satellite/Cable receiver or DVD player connected to VIDEO 1 as the active input. "VIDEO-1" is shown in the Display Panel when selected.

The Digital Input 1 is linked to the Video 1 input (marked Digital In 1 on back panel; No. 6). Digital Input 1 allows for connection of a digital source with an Optical (Toslink) digital output. Whenever the corresponding digital input is activated, Digital Input 1 will also be selected; in the display the "DIGITAL 1" indicator will start to blink. If a digital audio signal is detected, the "DIGITAL 1" indicator will stop blinking and remain lit. If no digital audio signal is detected, "DIGITAL 1" indicator will cease blinking and extinguish.

**VIDEO 2** - Video 2 selects the signal from a TV/Satellite/Cable receiver or DVD player connected to VIDEO 2 as the active input. "VIDEO-2" is shown in the Display Panel when selected.

The Digital Input 2 is linked to the Video 2 Input (marked Digital In 2 on back panel; No. 5). Digital Input 2 allows for connection of a digital source with an coaxial (RCA Jack) digital output. Whenever the corresponding digital input is activated, Digital Input 2 will also be selected; in the display the "DIGITAL 2" indicator will start to blink. If a digital audio signal is detected, the "DIGITAL 2" indicator will stop blinking and remain lit. If no digital audio signal is detected, "DIGITAL 2" indicator will cease blinking and extinguish.

**VIDEO 3 & VIDEO 4** - Video 3 & 4 select the signal from a TV/Satellite/Cable receiver, DVD player or VCR connected to VIDEO 3 or VIDEO 4 as the active input. "VIDEO-3" or "VIDEO-4" is shown in the Display Panel when selected. The Video 3 & 4 inputs also have video and analogue audio outputs specifically for recording video devices.

The Digital Input 3 is linked to the Video 3 input (marked Digital In on back panel; No. 5). Digital Input 3 allows for connection of a digital source with a Coaxial (RCA Jack) digital output. Whenever the corresponding digital input is activated, Digital Input 3 will also be selected; in the display the "DIGITAL 3" indicator will start to blink. If a digital audio signal is detected, the "DIGITAL 3" indicator will stop blinking and remain lit. If no digital audio signal is detected, "DIGITAL 3" indicator will cease blinking and extinguish.

**VIDEO OUTPUT** - The video signal available on the S-Video and Video Composite outputs is dependent on the selected video input (VIDEO-1, VIDEO-2, VIDEO-3, VIDEO-4, VIDEO-5). However, when one of the audio-only sources is selected (FM, AM, CD, Tape Monitor or Ext. 5.1) the last selected video signal from one of the video inputs will be present on these outputs. This way you can watch a DVD player or video whilst listening to the CD player.

The display indicates which video signal is routed to the MONITOR OUT sockets (No. 7 on back panel).

## 13. CD

Selects the CD as the active input.

## 14. TAPE MONITOR

Selects the output from a tape recorder when playing back tapes or monitoring recordings being made through the Tape sockets. Press the TAPE MONITOR button once to select it and again to return to the normal input selection.

The Tape Monitor function does not override the current input selection. For example, if the CD is the active input when Tape Monitor is selected, the CD signal will continue to be selected and is sent to the Tape Out, Video 3 and Video 4 Out sockets. But it is the sound from recorder connected to Tape that will be heard on the loudspeakers when the TAPE MONITOR function is selected. When Tape Monitor is selected, "TAPE MONITOR" will remain lit until Tape Monitor is disengaged again.

## 15. EXT. 5.1

Selects the multi-channel output signal from the DVD player or external decoder source (such as MPEG, for instance) connected to the 5.1 Ch. Input as the active input. The 5.1 Input is a direct pass through with only the volume control in the circuit. Bass management settings and tone controls are not available on this input.

### NOTE

*No Ext. 5.1 audio signal is available from headphones socket, the Tape, Video 3 and Video 4 out-puts when the Ext. 5.1. input has been selected.*

## 16. SURROUND MODE

With the Surround Mode buttons the available surround sound modes can be selected. The selected Surround mode is permanently indicated in the display Area. The Surround Mode buttons scroll through the available surround sound modes:

With any of the Digital Inputs 1, 2 & 3 (press Video 1, 2 or 3 respectively to select), the T741 automatically recognizes if the selected source carries a Dolby Digital™ or DTS™ signal. When no Dolby Digital or DTS signal is available, the Surround Mode buttons scrolls through the other available surround sound modes:

Stereo → Pro Logic → Ears → Stereo, etc.

With either Dolby Digital or DTS surround mode engaged, the Dolby Pro Logic and Ears surround modes cannot be selected. Dolby Digital and DTS has six independent channels available in total: Left, Center, Right, Surround left, Surround Right and an "Effects Channel" (Subwoofer).

The Dolby Digital signal allows for several channel configurations. DTS digital surround is an Encode/Decode system that currently delivers six discrete channels (5.1) of "Master-Quality" up to 24-bit audio. Dolby Pro Logic decodes the center and surround sound signals embedded in stereo movie sound tracks from e.g. video, Laser Disc or TV. To decode correctly, the source must be a Dolby Surround or Dolby Stereo soundtrack.

In the EARS (Enhanced Ambiance Retrieval System) Surround Mode, a realistic level of ambience of surround sound is added to a normal stereo source such as a CD or FM radio.

### NOTES

- *Dolby Digital or DTS are only available as a Surround Mode if the source is either Dolby Digital or DTS and a Digital Audio input is used.*
- *An external source such as a decoder or DVD player with a decoder built-in (MPEG for instance) can be connected to the 5.1Ch input (No. 3 on the rear panel). When the EXT 5.1 CH. input is selected, no other surround modes are available.*

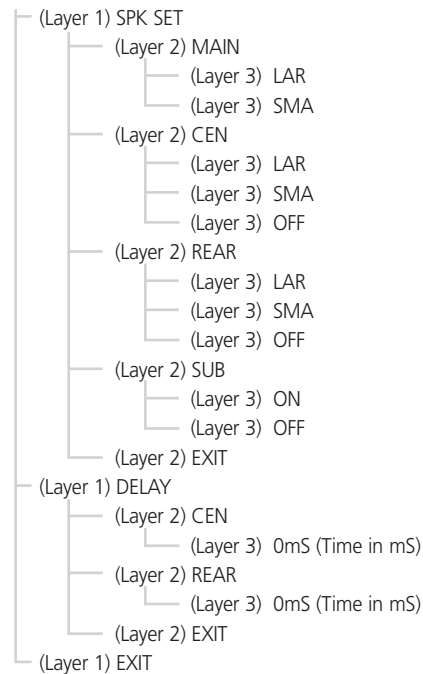
To obtain the best performance possible it is important that the system and all speakers have been set up correctly.

## 17. SET UP

This button is used to configure the T741 to match with the specific speakers in your system. This setup procedure should be done when you first install your system, and subsequently when new or different speakers are attached, or when the speaker positions are changed.

The SET UP facility uses a "menu" system that is 3 layers deep to accomplish the speaker setup. The Front Panel display will give you feedback on where you are in the menu system at any given moment. By first pressing the SET UP button and then turning the VOLUME/SETUP knob all menu items can be accessed.

### SET UP OPTIONS



To access the SET UP menu, press SET UP button to go to Layer 1, SPK SET. Use VOLUME/SET UP knob to change selection at Layer 1. Press SET UP button to enter Layer 2. Use VOLUME/SET UP knob to change selection at Layer 2. Press SET UP button to enter Layer 3. Use VOLUME/SET UP knob to change selection at Layer 3. While at Layer 3, press SET UP button to exit Layer 3 and go back to Layer 2. While at Layer 2 or Layer 1, selecting Exit then pressing SET UP will go back one level up. After a 5 sec default time, if no adjustment is made, the T741 will automatically exit the set up mode and return to the last selected input.

Refer to section SETTING UP A SURROUND SYSTEM below for more detailed information on making these adjustments.

## 18. TONE CONTROLS

This button is used to adjust Bass and Treble response to suit personal taste, or to compensate for less than optimal program sources. Each press of the TONE CONTROLS button cycles through BASS → TREB → and back to the previously selected input. Adjustment of Bass and Treble response is accomplished by turning the VOLUME/SET UP knob. Adjustment can be made in 2 dB increments up to +/- 10 dB. After a 5 sec default time, if no adjustment is made, the T741 will automatically exit the TONE CONTROLS mode and return to the last selected input.

## STORING AND RECALLING PRESETS

### TO STORE A PRESET

- Tune to the radio station you wish to enter into a Preset (refer to chapter "Front Panel Controls"; section 8). If the station is transmitting RDS information, the RDS indicator will light up and station initials will be shown in the Display Panel. If a non-RDS station is found, then just the frequency will be shown.
- To store that station as a Preset, press MEMORY (No. 6). "MEMORY" and the preset section in the display panel will start to flash. If no other button is pressed within 10 seconds, "MEMORY" will stop to flash and the receiver will default to its previous state.
- Press either the ▼ (down) or ▲ (up) button to select which Preset number you wish to assign to the station (from 1 to 30 on FM and 1 to 10 on AM), shown as a flashing number in the Display Panel, and then press MEMORY (No. 6) again. The Memory light in the Display Panel will go out and the station is now stored in your NAD T741's memory.

To exit the Memory mode without storing a station, leave all the tuner controls untouched; the Memory mode will automatically cancel itself after 10 seconds. The Memory Presets have a memory back-up, so they will remain stored for several weeks even if the Receiver is switched off or unplugged from the mains supply.

### NOTE

*You can enter a new station into an unused Preset or over-write an existing programmed Memory Preset. By doing this you will replace the radio station previously held on that Preset number.*

### RECALLING A PRESET STATION

To select a Preset station:

- Select the Preset mode by pressing the PRESET/TUNE button (No. 7) until "PRESET" lights up in the display.
- Press either the ▼ (down) or ▲ (up) button (No. 8) until the right Preset is found and shown in the Display Panel.

### NOTE

*Any unused Presets will be skipped.*

To "Directly Access" a Preset Station from the Remote Control: Press the numeric key on the Remote Control (AVR-1) the Preset number selected flashes in the Front Panel display window for 2 secs allowing for a valid second key entry for presets 10 and above.

### DELETING A STORED PRESET

You can empty a Preset by deleting the stored information:

- Press MEMORY button (No. 6).
- Press DOWN/UP buttons (No. 8) to select the preset number to be deleted.
- Press the FM MUTE/MODE button (No. 5). The Preset will then be deleted and '—' appears as the Preset number.

You can also store a new station into a used Preset, by simply going through the Preset storing process and placing a new station over the existing one.

### REMOTE CONTROL AVR-1 (FIGURE 3.)

The T741 is supplied with the NAD AVR-1 Remote Control. Apart from all the primary operating functions, the AVR-1 Remote Control handset also gives access to functions not available on the front panel of the T741. It also has additional controls to remotely operate NAD T550, L55, T531 and T571 DVD Players. The function of the buttons will change between the T741 Receiver and the NAD DVD Player depending on the position of the RCVR/DVD switch (See 25 below). Shared buttons (buttons that function with the switch in either position) have the receiver function printed on the button itself, with the secondary DVD function printed on the body of the remote handset

Alkaline batteries are recommended for maximum operating life. Two AAA (R 03) batteries should be fitted in the battery compartment at the rear of the Remote Control handset. When replacing batteries, check that they have been put in the right way round, as indicated on the base of the battery compartment. It will operate up to a distance of 16ft (5m).

#### 1. POWER

Press this button to switch the unit from operating mode to the Stand-by mode and vice versa:

Press this button again to switch the unit on from Stand-by; the last selected source will be indicated in the display.

#### 2. SLEEP

Press SLEEP to make the T741 automatically switch off after a preset number of minutes. Pressing the SLEEP button once will set the sleep time to 90 minutes, after which the T741 will automatically switch off into Standby mode. Sleep mode is shown on the Display Panel. To adjust the Sleep Delay, press the SLEEP button, each consecutive press will reduce the sleep time in 30-minute increments, as shown in the Display Panel. To cancel the Sleep mode, continue pressing the SLEEP button until the sleep time returns to 0 minutes. Pressing the POWER on the front panel (No.1) or POWER button on the remote control (No. 1) will also cancel the Sleep mode.

#### 3. INPUT SELECTION

The EXT 5.1, VIDEO 1 TO 5, TAPE MON, FM/AM and CD Input selector buttons perform the same function as those on the front panel of the T741.

#### 4. NUMERIC KEYPAD

**RCVR mode** - The numeric keypad can be used to directly access FM and AM Station Presets by pressing the number of the desired preset.

**DVD mode** - These keys can also be used to select CD tracks and enter chapter numbers in the DVD mode (consult the DVD Players instruction manual for specific details).

#### 5. SURROUND / SETUP

**SURR. Function** - This button sequentially cycles through the available surround modes: STEREO → PROLOGIC → EARS → and “wraps” back to STEREO. Each press of the button advances the T741 to the next surround mode. DOLBY DIGITAL and DTS are automatically detected on the incoming signal and selected.

**SETUP Function** - Accesses the DVD Players SETUP Menu. Refer to the NAD DVD player Owner's Manual for more detailed information on this function.

#### 6. DYNAMIC RANGE / NEXT DISC

The DYN. R button, which can be used only in combination with a Dolby Digital source, incrementally reduces the audio track's dynamic range in four steps (100%, 75%, 50% and 25%) to allow for comfortable listening under a variety of conditions. The normal or default position is 100%.

To adjust the dynamic range, each consecutive press of the DYN. R button will reduce the value in 25% increments, as shown in the alpha-numeric display section.

NEXT DISC functions with a DVD Changer (NAD T571) to select the next disc loaded in the carousel. Each press of the button advances by one disc. Refer to the NAD DVD player Owner's Manual for more detailed information on this function.

#### NOTE

*Although we usually prefer to reproduce a source's full dynamic range (the difference between very loud and very soft sounds), it may occasionally be desirable to reduce the dynamic range. For example, when playing a movie late at night, loud explosions might wake sleeping family members. Simply turning the volume control down would probably make a whisper in the next scene inaudible. The DYN. R button solves this dilemma by progressively lowering the volume of loud peaks while increasing the level of softer sounds.*

#### 7. TEST / TITLE

Pressing the TEST button, engages the Test signal generator to allow for adjustment of all speaker levels, so that each channel can be adjusted for equal loudness at your listening position. The test signal scrolls automatically with 2 second intervals from Front Left, Center, Front Right, Rear Right, Rear Left, to subwoofer in continuous cycles. If an adjustment in setting is made for one of the speakers, scrolling will stop until 2 seconds after the adjustment was made. The display panel shows which speaker is being fed with the test signal. Use the VOLUME +/- buttons to respectively increase or decrease the level for the current speaker. Press the TEST button again to leave or cancel the Test mode, any changes will be memorized automatically.

Refer also to chapter “Setting Up the Surround Sound System” for more information.

TITLE functions when in the DVD mode to display the title screen included on DVD video discs. Refer to the NAD DVD player Owner's Manual for more detailed information on this function.

#### 8. LEVEL / MENU

Although the T741 is correctly set-up it may some-times be desirable to make minor adjustments to suit particular software. Pressing the Level button allows for direct adjustment of individual channel levels. Press the Level button to scroll to Front Left, Center, Front Right, Rear Right, Rear Left and Subwoofer. The display panel shows which speaker can be adjusted. Use the VOLUME+/- buttons to respectively increase or decrease the level for the current speaker.

Refer also to the chapter “Setting Up the Surround Sound System” for more information.

Use the MENU in DVD mode to display the menu screen included on DVD video discs. Refer to the NAD DVD player Owner's Manual for more detailed information on this function.

#### 9. VOLUME / ARROW

Volume + or - respectively increases or decreases the volume setting for all speakers. The display panel will indicate the level set. The Volume control does not affect recordings made using the Tape and Video, or Tape, Video 3 and Video 4 out-puts but will affect the signal going to the Pre-amp output (Audio Pre Out) and headphones.

In DVD mode, these keys function as the UP and DOWN ARROW keys used for navigating the various graphical user interface (GUI) menus on both the DVD player and DVD Video discs. Refer to the NAD DVD player Owner's Manual for more detailed information on this function.

#### 10. MUTE / ENTER

Press the MUTE button to temporarily switch off the sound to the speakers and headphones. Mute mode is indicated by “MUTING” flashing in red in the display area. Press MUTE again to restore sound. Mute does not affect recordings made using the Tape out-puts but will affect the signal going to the Audio Pre-outs and headphones.

#### NOTE

*When the unit is in mute mode, any adjustment of the VOLUME CONTROL on the front panel (No. 10) or Remote Control (No. 9) will release the muting, i.e. the original volume level will be resumed.*

#### 11. TUNE UP / TUNE DOWN AND ARROW ► / ARROW ◀

TUNE UP/ TUNE DOWN functions the same as the button of the front panel of the T741. See complete description in the FRONT PANEL CONTROLS section above.

In DVD mode, these keys function as the UP and DOWN ARROW keys used for navigating the various graphical user interface (GUI) menus on both the DVD player and DVD Video discs. Refer to the NAD DVD Player Owner's Manual for more detailed information on this function.

#### 12. DISPLAY

The DISPLAY button functions the same as the DISPLAY button on the front panel of the T741. See complete description in the FRONT PANEL CONTROLS section above.

In DVD mode this button displays information about player settings using the graphical user interface (GUI). Refer to the NAD DVD Player Owner's Manual for more detailed information on this function.



### 13. TUNE MODE / RETURN

The TUNE MODE button functions the same as the button of the front panel of the T741, switching between the Tune Mode and the Preset Mode. See complete description in the FRONT PANEL CONTROLS section above.

In DVD mode this button's function is determined by the individual DVD disc title being played. Refer to the NAD DVD Player Owner's Manual for more detailed information on this function.

### 14. OPEN / CLOSE

Opens or closes the loading tray of the DVD player.

### 15. STOP

Stops play of the DVD player.

### 16. PLAY

Commences playback of DVD or CD discs loaded in the DVD player.

### 17. PAUSE / STEP

With CD discs this button pauses playback. With DVD video discs this button places the player in the still picture mode, and each successive press of the button advances (STEPS) the picture by one frame. Press the PLAY button to return to normal playback.

### 18. SKIP ►► / SKIP ◄◄

This button advances or moves back a chapter (DVD) or track (CD) each time the button is pressed.

### 19. REPEAT

Repeats a program or an entire DVD or CD disc.

### 20. SCAN ►► / SCAN ◄◄

This button scans fast forward or back with DVD or CD discs. Each time the button is pressed the speed of scanning is increased. Press PLAY to return to normal playback.

### 21. PROGRAM

This button is used to create playback programs on CD discs.

### 22. AUDIO

This button changes the audio soundtrack language on DVD video discs that support this feature.

### 23. SUBTITLE

This button changes the subtitle language on DVD video discs that support this feature.

### 24. CLEAR

This button is used to defeat or clear repeat play programs.

### 25. RECEIVER/DVD SWITCH

This switch changes the function of the keys on the remote from the T741 RECEIVER commands to the DVD Player commands. This remote includes the codes for use with NAD T531, T571, T550, and L55 DVD Players only.

### 26. ZOOM

The ZOOM function allows you to enlarge a selected portion of the video image (close up).

### 27. DVD1 / DVD2 SWITCH

This switch is located inside the battery compartment of the AVR-1, and changes the DVD functions between DVD1 (codes for T550 and L55 DVD Players) and DVD2 (codes for T531 and T571 DVD Players).

## SETTING UP THE SURROUND SYSTEM

To obtain the best results in any of the Surround Modes it is important that the T741 is carefully set up. The Dolby Surround system requires that you specify the parameters of your speaker setup so it can properly direct the decoded surround sound signal in the correct proportion to create the most accurate theatrical effect. Dolby also allows for the redirection of bass frequencies to the most appropriate speaker(s). This is also known as "bass management".

The setup procedure is broken down in three sections:

- 1 Speaker Settings (by Front Panel controls)
- 2 Channel Delays (by Front Panel controls)
- 3 Level Settings for correct Channel Balance (by Remote Control handset)

## SPEAKER SETTING OPTIONS

SPK SET		DELAY	
MAIN	LAR or SMA	CEN	(0-5 mS )
CENT	LAR, SMA, OFF	REAR	(5-30 mS )
REAR	LAR, SMA, OFF	EXIT	
SUB	ON, OFF		
EXIT			

## TO ACCESS THE SPEAKER AND DELAY SETTING ADJUSTMENTS

Pressing the front panel SET UP button (first press) the display will show SPK SET. Rotating the VOLUME/SETUP knob alternately cycles the setting between SPK SET, DELAY , EXIT, and then "wraps" back to SPK SET.

**Speaker Settings** - First you need to indicate which speakers are connected to your T741. Besides the Main speakers (Left & Right), these can include a Center, two Surround Speakers and a Subwoofer.

**To Adjust Speaker Settings** - When Front Panel Display shows SPK SET, pressing the SET UP button on front panel again (second press) will enter the SPEAKER SETTING menu. Rotate VOLUME/SETUP knob to cycle between MAIN → CEN → REAR → SUB → EXIT

First stop at MAIN and display shows LAR (current setting for FRONT or MAIN speakers). Press the SET UP button again to change the size. Each press of the SET UP button will change the setting for that speaker:

**MAIN (Front Speakers) can be selected as LRG or SML**

Now rotate the VOLUME/SETUP knob until CEN LAR (current setting for the CENTER speaker) appears in the display window. Press the SET UP button again to change the size. Each press of the SET UP button will change the setting for that speaker:

**CEN (Center Speaker) can be selected as LAR, SMA or OFF.**



Now rotate the VOLUME/SETUP knob until REAR LAR (current setting for the SURROUND speakers) appears in the display window. Press the SET UP button again to change the size. Each press of the SET UP button will change the setting for that speaker:

**REAR (Surround Speakers) can be set to LAR, SMA or OFF.**

Now rotate the VOLUME/SETUP knob until SUB ON (current setting for the Subwoofer) appears in the display window. Press the SET UP button again to change the setting. Each press of the SET UP button will change the setting for that speaker:

**SUB (subwoofer) can be set to ON, OFF.**

Now rotate the VOLUME/SETUP knob until EXIT appears in the display window. Press the SET UP button again to exit SPEAKER SETTING MENU. Press the SET UP button again to exit the SET UP MENU. Your speaker settings are now complete. If in the future you add or change speakers, this setup procedure should be repeated.

#### TIPS ON WHICH SPEAKER SETTINGS TO USE

The four modes available to the T741's setup are: LARGE or SMALL and ON or OFF.

The LARGE mode is used when the speaker is full range and capable of reproducing the entire audible frequency spectrum 20Hz to 20kHz. The SMALL mode is used when the speaker is not capable of reproducing the deepest bass portion of the audio frequency 20Hz to 100Hz.

The ON mode is used when the speaker is active and receives the audio information intended. The OFF mode is used when the speaker is inactive. Audio signals intended for speakers set to the OFF position are redirected to the main speakers.

Using a separate center channel speaker will allow the dialogue to cut through even the biggest sound effects and musical scores. Having the sound spread across three front speakers also stabilizes the stereo image, making the usable listening area much bigger. For best results, you should consider using a center speaker. Ideally it should be the same type as the left and right speakers.

Installing surround speakers will greatly enhance the surround experience as these add considerably to the overall "ambience".

Dolby Pro Logic encoded material is deliberately limited in dynamic range and frequency bandwidth for the surround channel and thus only requires speakers of far lesser specification compared to the front channels. Dolby Digital however is a full range system, with two independent surround channels and with dynamics equal to that of the front channels. For this reason it is advisable to choose loudspeakers which are similar in power handling and performance capability to those of the front channels. For best results, the Surround loudspeakers should not beam the sound directly at the listener. One way of achieving this is to use 'dipole' Surround speakers which aim the sound down the walls rather than directly into the room.

Many film soundtracks rely heavily on very low frequency sound effects which are difficult for normal or smaller hi-fi speakers to reproduce. To faithfully reproduce these low frequencies you can use a specially designed low frequency loudspeaker with its own built-in amplifier ("active subwoofer"). Because it is difficult to hear which direction very low frequencies are coming from, you only normally need one subwoofer and this can be placed virtually anywhere in the room. The Subwoofer output of the T741 is designed specifically to drive a subwoofer system.

Dolby Digital uses a dedicated Low Frequency Effects (LFE) channel. If a subwoofer has been selected, the LFE channel will be fed to the subwoofer output. If no subwoofer is selected the LFE channel is redirected to the front left and right speakers.

#### CHANNEL DELAYS

For the best surround sound performance it is important that sound from all speakers reach the listener's ears at the same time. Because the surround/ rear speakers are usually closer to the listener than the front speakers, there is tendency for the ear to localize sounds to the rear, because the ear takes most notice of the sounds that arrive at the head first. Similarly, the center speaker is often closer to the listener than the front left and right speakers. To compensate for this, the T741 can slightly delay the audio sent to the center and rear (closer) speakers. In this way, when playing Dolby Digital or Dolby Pro logic soundtracks, the sound from all speakers arrives uniformly at the listening position as intended by the film's producer.

Each millisecond corresponds approximately with 1 foot or 30.5 centimeters.

#### NOTE

*The channel delay option is not available in DTS surround mode.*

#### TO ADJUST DELAY SETTINGS

When Front Panel Display shows DELAY, pressing the SET UP button on front panel again (second press) will enter the DELAY SETTING menu. Rotate VOLUME/SETUP knob to cycle between CENT → REAR → EXIT.

First stop at CEN 0mS (current delay setting for Center Speaker). Press the SET UP button again to change the delay setting. Rotate the VOLUME/SETUP knob to change center delay adjustment in 1mS increments from 0mS to 5mS. Press SET UP button again to exit Center delay adjustment.

Now rotate the VOLUME/SETUP knob until REAR 0mS (current delay setting for Surround Speakers) appears in the display window. Press the SET UP button again to change the delay setting. Rotate the VOLUME/SETUP knob to change center delay adjustment in 1mS increments from 0mS to 15mS in Dolby Digital mode, or 15mS to 30mS in Dolby ProLogic mode. Press SET UP button again to exit Rear delay adjustment.

Now rotate the VOLUME/SETUP knob until EXIT appears in the display window. Press the SET UP button again to exit DELAY SETTING MENU. Press the SET UP button again to exit SET UP MENU. Your speaker settings are now complete. If in the future you add, change, or move speakers, this setup procedure should be repeated.

### TIPS FOR SETTING DELAY

Measure the distance from the listening position to the center speaker (dC) and to one of the front speakers (dFL or dFR). Subtract the center channel distance from the front L or R channel distance. For example, if the front speakers are 12 feet (3.7 m) from the listening position and the center speaker is 10 feet (3.0 m), the difference is 2 feet (0.6 m). For this example the center channel delay is set to 2 milliseconds or ms.

The T741 can delay the center channel output up to 5 milliseconds and thus compensates for center channel speakers that are up to 5 feet (1.5m) closer to the listening position than the front left and right speakers.

### NOTES

*In rare system setups, the center channel speaker is actually further away than the front left and right speakers. In these cases, set the center channel delay to 0ms. The center channel delay time adjustment is only available in Dolby Digital surround mode.*

Measure the distance from the listening position to either the left or right rear speaker (dLS or dRS). Subtract the rear speaker distance from the front speaker distance (dFL or dFR). The resulting distance is equivalent to the delay in milliseconds for the rear delay setting. For example, if your rear speaker distance is 6 feet (1.8 m) and the front distance is 12 feet (3.7 m), the correct rear channel delay setting is 6 milliseconds. Again, set the rear channel delay to 0ms if the rear channels are further from the listening position than the front speakers.

In Dolby Digital surround mode, the rear channel delay time can be set from 0ms to 15ms with 1ms increments. In Dolby Pro logic surround mode, the rear channel delay time can be set from 15ms to 30ms and 1ms per step. In DTS surround mode, the channel delay time cannot be adjusted.

### LEVEL SETTING (CHANNEL BALANCE)

The output levels of each of the speakers connected to the T741 may need to be adjusted so that there is an even balance of sound from all the speakers in the system. If, for instance, the relative volume level to the Left and Right speakers and the center speaker is set too low, most of dialogue may be difficult to follow. If, on the other hand it is set too loud, the over-all balance will sound unnatural.

To adjust the channel balance, the T741 is equipped with a TEST button (No. 7) on the Remote Control to help assess the loudness levels of each speaker. Before adjusting the channel balance level, make sure the master volume is turned down to a normal listening level.

Pressing the TEST button engages the Test signal generator to allow for adjustment of all speaker levels, so that each channel can be adjusted for equal loudness at your listening position. The test signal scrolls automatically with 2 second intervals from Left, Center, Right, Rear Right, Rear Left, to sub-woofer in continuous cycles. If an adjustment in setting is made for one of the speakers, scrolling will stop until 2 seconds after the adjustment was made. The display panel shows which speaker is being fed with the test signal. Use the VOLUME +/- buttons on the Remote Control to respectively increase or decrease the level for the current speaker.

### NOTE

*There is no output in the Subwoofer during noise sequencer operation; therefore it is difficult to adjust the level in test mode. The Subwoofer level can be adjusted in the setup menu with musical input.*

The Channel Balance for each speaker can be adjusted in 1dB increments. Continue to calibrate the level for each speaker until equal loudness is achieved at your listening position. A more accurate adjustment can be made using a sound level meter, if available. Set the meter to "Slow" and "C-weighted" modes and re-check the settings with the meter placed in several different positions in the general listening area.

Press the TEST button again to leave or cancel the Test mode, any changes will be memorized automatically.

Select the channel for which you wish to adjust and set the level so that it matches the other speakers. For best results it is best to start with the Left channel set at 0dB and to match the other speakers to it. Normally, if the Right speaker is located at the same distance from the listening position to the Left speaker it should be set at the same level as the Left speaker.

### NOTE

*If no level adjustments were made, press TEST again to return to the selected source. Any changes in the Channel Balance Setting, under the test mode, will be memorized automatically.*

The Delay time for the Surround speakers also needs to be correctly set for your normal listening position. Refer to the section "Channel Delay" in this chapter for more information.

PROBLEM	CAUSE	SOLUTION
NO SOUND	<ul style="list-style-type: none"> <li>• Power AC lead unplugged or power not switched on</li> <li>• Tape Monitor selected</li> <li>• Mute on</li> </ul>	<ul style="list-style-type: none"> <li>• Check if AC lead is plugged in and power switched on</li> <li>• De-select Tape Monitor mode</li> <li>• Switch off Mute</li> </ul>
NO SOUND ON ONE CHANNEL	<ul style="list-style-type: none"> <li>• Speaker not properly connected or damaged.</li> <li>• Input lead disconnected or damaged</li> <li>• In Setup "OFF" for surround speaker selected</li> </ul>	<ul style="list-style-type: none"> <li>• Check connections and speakers</li> <li>• Check leads and connections</li> <li>• Select appropriate Surround mode (large or small)</li> </ul>
NO SOUND ON SURROUND CHANNELS	<ul style="list-style-type: none"> <li>• No surround mode selected</li> <li>• Mono sound source</li> <li>• Speakers not properly connected</li> <li>• Surround volume level too low</li> </ul>	<ul style="list-style-type: none"> <li>• Select a Surround Mode</li> <li>• Test system with Stereo or Dolby Surround material</li> <li>• Check speakers and connections</li> <li>• Increase surround volume level</li> </ul>
NO SOUND ON CENTER CHANNEL	<ul style="list-style-type: none"> <li>• In Setup "OFF" for center speaker selected</li> <li>• Speaker not connected properly</li> <li>• Center volume level set too low</li> </ul>	<ul style="list-style-type: none"> <li>• Select appropriate Center mode (large or small)</li> <li>• Check speaker and connection</li> <li>• Increase center volume level</li> </ul>
"DOLBY DIGITAL" OR "DTS" AUTO-DETECTION FUNCTION DOES NOT WORK	<ul style="list-style-type: none"> <li>• Source not connected using digital inputs</li> </ul>	<ul style="list-style-type: none"> <li>• Connect digital output of source to T741</li> </ul>
WEAK BASS/ DIFFUSE STEREO IMAGE	<ul style="list-style-type: none"> <li>• Speakers wired out of phase</li> </ul>	<ul style="list-style-type: none"> <li>• Check connections to all speakers in the system</li> </ul>
REMOTE CONTROL HANDSET NOT WORKING	<ul style="list-style-type: none"> <li>• Batteries flat, or incorrectly inserted</li> <li>• IR transmitter or receiver windows obstructed</li> <li>• IR receiver in direct sun or very bright ambient light</li> </ul>	<ul style="list-style-type: none"> <li>• Check or replace batteries</li> <li>• Remove obstruction</li> <li>• Place unit away from direct sun, reduce amount of ambient light</li> </ul>
NO SOUND WITH TUNER	<ul style="list-style-type: none"> <li>• Antenna leads incorrectly connected</li> <li>• Station not selected or weak signal with FM Mute on.</li> </ul>	<ul style="list-style-type: none"> <li>• Check antenna connections to receiver</li> <li>• Re-tune or switch off FM Mute</li> </ul>
NOISE, HISS ON AM AND FM	<ul style="list-style-type: none"> <li>• Weak signal</li> </ul>	<ul style="list-style-type: none"> <li>• Check station tuning. Adjust or replace antenna.</li> </ul>
DISTORTION ON FM	<ul style="list-style-type: none"> <li>• Multi-path signals or interference from another station</li> </ul>	<ul style="list-style-type: none"> <li>• Check station tuning. Adjust or replace antenna</li> </ul>
WHISTLES OR BUZZES ON FM & AM	<ul style="list-style-type: none"> <li>• Interference from other electrical sources - computers, games consoles</li> </ul>	<ul style="list-style-type: none"> <li>• Check station tuning. Switch off or move the source of the electrical noise</li> </ul>
WHISTLES OR BUZZES ON AM	<ul style="list-style-type: none"> <li>• Interference from fluorescent lighting or electrical motors</li> </ul>	<ul style="list-style-type: none"> <li>• Check station tuning. Adjust or replace AM antenna</li> </ul>
NO RDS NAME (PS)	<ul style="list-style-type: none"> <li>• Station signal too weak.</li> <li>• Station not transmitting RDS data</li> </ul>	<ul style="list-style-type: none"> <li>• Check station tuning. Adjust or replace antenna</li> <li>• No remedy</li> </ul>



[www.NADelectronics.com](http://www.NADelectronics.com)

**©2001 NAD ELECTRONICS INTERNATIONAL**

All rights reserved. No part of this publication may be reproduced, stored or transmitted in any form without the written permission of NAD Electronics International

T741 Manual 10/01 Printed in Malaysia

## Free Manuals Download Website

<http://myh66.com>

<http://usermanuals.us>

<http://www.somanuals.com>

<http://www.4manuals.cc>

<http://www.manual-lib.com>

<http://www.404manual.com>

<http://www.luxmanual.com>

<http://aubethermostatmanual.com>

Golf course search by state

<http://golfingnear.com>

Email search by domain

<http://emailbydomain.com>

Auto manuals search

<http://auto.somanuals.com>

TV manuals search

<http://tv.somanuals.com>