

## CM-4S Stereo Condenser Microphone

### USER GUIDE



Congratulations on purchasing the Nady CM-4S Stereo Condenser Microphone. This versatile microphone provides the realistic spatial impact of a live sound field for many applications including stereo recording, ENG theater use, and camcorder recordings.

This manual covers the operation of the CM-4S microphone and the available optional accessories. To take full advantage of the superb features of your microphone, and to enjoy long and trouble-free use, please read this user's guide carefully.

#### UNPACKING, INSPECTION, STORAGE AND TRANSPORT

Your CM-4S microphone was carefully packed at the factory, and the shipping carton was designed to protect the unit during shipping. Please retain this container in the highly unlikely event that you ever need to return your microphone for servicing.

#### STANDARD ITEMS SUPPLIED

- CM-4S condenser stereo microphone
- 2' coiled stereo cable w/3.5 mm TRS plug
- 10' Y-splitter cable to left & right 1/4" TS plugs
- Camera shoemount
- Mic clip
- User guide
- Warranty card

#### OPTIONAL ACCESSORIES

- MST-5B Boom mic stand

#### FEATURES & OPERATION

The CM-4S uses closely-matched, wide range, condenser uni-directional (cardioid) elements, angled at 100° in an X/Y stereo configuration. It features excellent channel separation; smooth, linear 90Hz-16kHz frequency response with a switchable Stereo/Mono/Off switch, crisp, clear transparent audio; and internal battery operation. All this contained in a compact, lightweight design for easy camera mounting

The CM-4S has unbalanced, in-phase, low impedance stereo outputs. Use the 2' stereo cable to connect to 3.5mm stereo inputs such as on camcorders or the 10' cable to connect to two channels of your mixing console or recording equipment.

Placing the mic closer to the sound source will create a more pronounced stereo image while moving the mic further away will lessen the stereo image and result in more room noise. Placing a mic too close to a multi-voice source may result in some voices being more dominant than others. Experiment with placement for

the best possible results. Set the STEREO/MONO/OFF switch to mono when stereo application is not desired.

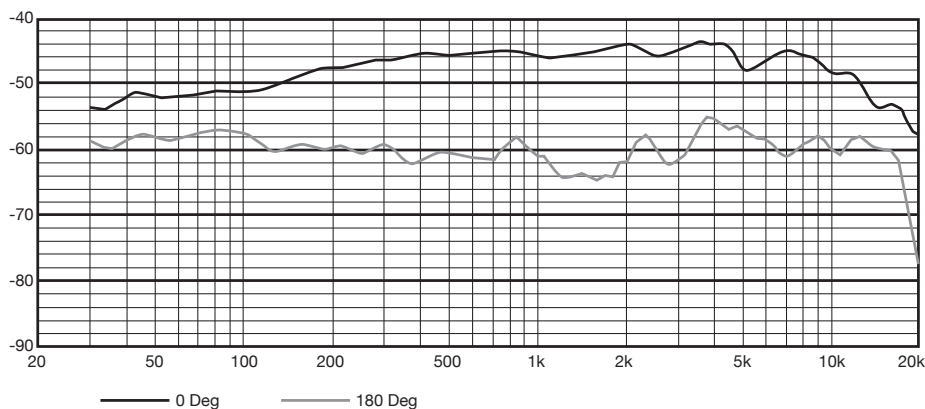
Before operating, install an alkaline AA battery by unscrewing, and sliding down, the lower portion of the handle to reveal the battery compartment. The CM-4S is only designed for battery use.

**DANGER: DO NOT USE PHANTOM POWER WITH THE CM-4S OR YOU COULD DAMAGE THE MICROPHONE.**

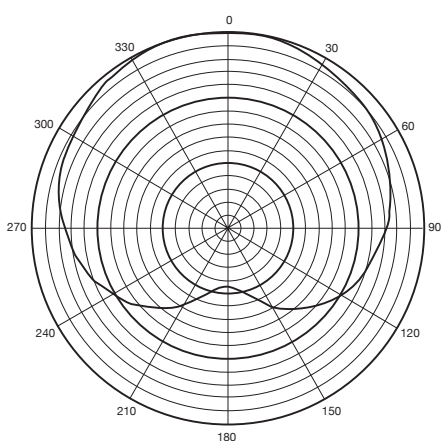
*Note: Low bias voltages (such as those used for mini-disc, DAT, or analog recorders) will not harm the microphone.*

*(WARNING: The capsule is the heart of the condenser microphone. If the elements become dirty or wet, the sound will be degraded. Never spray any liquid on the microphone head.)*

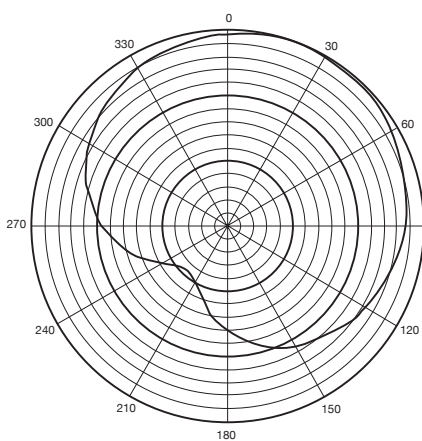
## FREQUENCY RESPONSE



## POLAR PATTERN



MONO



STEREO

## SERVICE

(U.S.) Should your Nady microphone require service, please contact the Nady Service Department via telephone at (510) 652- 2411 or e-mail at [service@nady.com](mailto:service@nady.com). (INTERNATIONAL) For service, please contact the Nady distributor in your country through the dealer from whom you purchased this product.

Date of purchase \_\_\_\_\_

Dealer's Name \_\_\_\_\_

Street \_\_\_\_\_

City \_\_\_\_\_ State \_\_\_\_\_ Zip \_\_\_\_\_

**Note: Do not attempt to service this unit yourself as it will void your warranty.**

## SPECIFICATIONS

**TYPE:** Condenser

**DIRECTIVITY:** Unidirectional Stereo

**SWITCH:** STEREO/MONO/OFF

**SENSITIVITY:** -68dB  $\pm$ 3dB @ 1 KHz (0dB = 1V/u)

**IMPEDANCE:** 600 $\Omega$   $\pm$ 30%

**FRONT SENSITIVITY:** 100Hz-16 KHz

**POWER REQUIREMENTS:** 1.5V DC

**SIZE:** 6" x 1.2" (150 x 31.2 mm)

**NET WEIGHT:** 3.8 oz (110 g)

Specifications and design subject to change for improvement purposes without prior notice.

04/09/09

## Free Manuals Download Website

<http://myh66.com>

<http://usermanuals.us>

<http://www.somanuals.com>

<http://www.4manuals.cc>

<http://www.manual-lib.com>

<http://www.404manual.com>

<http://www.luxmanual.com>

<http://aubethermostatmanual.com>

Golf course search by state

<http://golfingnear.com>

Email search by domain

<http://emailbydomain.com>

Auto manuals search

<http://auto.somanuals.com>

TV manuals search

<http://tv.somanuals.com>