

SGM-12 — Shotgun Condenser Microphone



Congratulations on purchasing the Nady SGM-12 Shotgun Condenser Microphone! This versatile, professional quality microphone is designed to provide top performance in all live and recording applications. Its true, transparent sound also makes the SGM-12 a valuable recording tool.

SPECIAL FEATURES

- Perfect for video recording, lectures, angled overhead placement, boom applications and off-stage miking
- Dual electret condenser elements for maximum uni-directivity with excellent off-axis rejection
- Power / Polar Pattern switch for selecting cardioid or super-cardioid sensitivity
- Smooth linear response with high sensitivity and exceptionally low self-noise
- Sleek, durable, lightweight metal construction
- Single AA alkaline or NiMH battery operation (not included)
- Extra thick foam windscreen included
- Optional HM-9 mic clip and SHM-1 shoemount available for mounting on mic stands or camcorders

USING YOUR SGM-12

The SGM-12 can be used with any standard mixer, powered mixer/amplifier, mic preamp, or video camcorder. Using the appropriate cable (not included) connect the female XLR end of your cable to the SGM-12, and the other end to your equipment.

Depending on the application, the SGM-12 can either be handheld, mounted to a camcorder, or mounted on a microphone stand with a standard mic clip.

Be aware of the proximity effect (an increase in bass response) when the mic is placed closer to the sound source. This may or may not be desirable. Experimenting with the position of the mic with respect to the audio source will ensure the optimum results you are seeking in any given application.

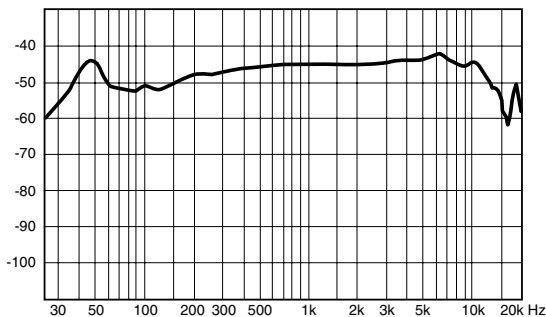
If the microphone is placed too near a speaker, an unpleasant howling effect (acoustic feedback) may occur. Although all microphones are prone to feedback to some extent, those with a unidirectional or super-cardioid polar pattern (such as the SGM-12) are specially designed to accept only signals from the audio source directly in front of the mic cartridge. Thus, the polar pattern of the SGM-12 ensures that it will deliver only the desired audio in front of the mic, rejecting the unwanted audio from the rear, even in noisy ambient conditions with high sound pressure levels from the PA. and monitor speakers. This means that feedback will be greatly minimized with the SGM-12 in all live performance miking applications.

Some useful ways in which to totally eliminate annoying feedback include: experimenting with mic positions with respect to the speakers, decreasing speaker volume (whenever possible), and adjusting the equalization of the mic audio with the mixer.

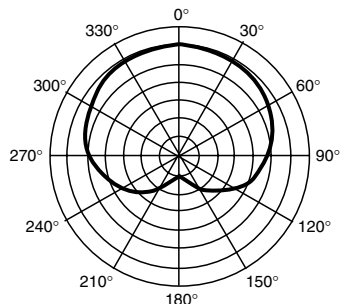
PRECAUTIONS AND CARE OF YOUR SGM-12

- The microphone should never be dropped or subjected to extreme shock. Store only in a padded case to protect it during transport.
- Keep the microphone away from extremely high temperatures (above 140°F or 60°C) and humidity. Avoid leaving the microphone in direct sunlight for long periods of time.
- When using the microphone outdoors, avoid getting it wet.
- After use in a high-moisture application such as a stage performance, wipe off the microphone with a dry cloth and permit it to air dry. Do not store the unit in a closed space (e.g., a plastic bag) until all moisture has evaporated.
- To protect the mic elements and ensure the longest possible useful life, it is highly recommended that for vocal applications, the external foam windscreens be used over the grille. This will prevent the buildup of saliva and perspiration on the cartridge diaphragm, which degrades performance and shortens the useful life of the microphone. The foam windscreen will also eliminate wind noise when the mic is used in a windy outdoor environment.

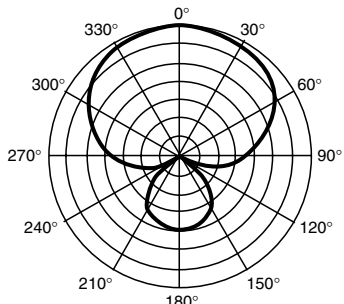
FREQUENCY RESPONSE



POLAR PATTERNS



Cardioid



Supercardioid

SPECIFICATIONS

Element: 2 x Back electret condenser

Selectable Polar Pattern: Cardioid / Super-cardioid

Sensitivity (1KHz at 1 Pa): 52dB / - 44dB (± 2 dB)

Frequency Response: 50Hz~16KHz (± 3 dB)

Output impedance: 400 Ω $\pm 5\%$

SPL max: 125dB

Signal/noise ratio (A-weighted): >68dB

Power Source: 1.5V DC ("AA" Battery not included)

Current consumption: 0.5mA

Battery Life: 1500 Hours (Alkaline Battery)

Length: 11.7" (30 cm)

Shaft diameter: 0.88" (22 mm)

Weight: 4.9oz (139g)

The specifications above are correct at the time of printing of this user guide. For improvement purposes, all specifications for this unit, including design and appearance, are subject to change without prior notice.

Free Manuals Download Website

<http://myh66.com>

<http://usermanuals.us>

<http://www.somanuals.com>

<http://www.4manuals.cc>

<http://www.manual-lib.com>

<http://www.404manual.com>

<http://www.luxmanual.com>

<http://aubethermostatmanual.com>

Golf course search by state

<http://golfingnear.com>

Email search by domain

<http://emailbydomain.com>

Auto manuals search

<http://auto.somanuals.com>

TV manuals search

<http://tv.somanuals.com>