

VHM-7 Vocal & Harmonica Microphone

USER GUIDE

Congratulations on purchasing the Nady VHM-7 Vocal & Harmonica Microphone.

This user guide covers the operation of the VHM-7 microphone and the available optional accessories. To take full advantage of the superb features of your microphone, and to enjoy long and trouble-free use, please read this user's guide carefully.



UNPACKING, INSPECTION, STORAGE AND TRANSPORT

Your VHM-7 microphone was carefully packed at the factory in a soft carrying pouch to protect the unit during shipping. Please retain this container for subsequent transport and in the highly unlikely event that you ever need to return your microphone for servicing.

STANDARD ITEMS SUPPLIED

- VHM-7 vocal & harmonica mic with attached stand mount
- User Guide
- Warranty card
- Soft, padded carrying pouch

OPTIONAL ACCESSORIES

- XC-20 — 20' XLR to XLR mic cable
- XC-25 — 25' XLR to XLR mic cable
- XC-50 — 50' XLR to XLR mic cable

FEATURES

- Designed for harmonica, the VHM-7 also serves as a great vocal mic. Its cardioid pattern dynamic cartridge has been expressly tailored for producing thick, fat tone while holding cupped — with enough “filthy” tone to satisfy even the most discriminating blues harp players. And open air, uncupped use produces extremely smooth, clean vocal audio. The VHM-7 allows singing harp players the convenience of singing and playing through the same mic with great sound throughout. This mic is also a top performer for either application alone, and can be used with its own amp or plugged into the PA.
- Unique, chromed aerospace casing with stylish retro look and distinctive proprietary fluted design for versatility in shaping wah-wah sounds and altering tone while virtually eliminating feedback. It's bullet-proof tough and ultra comfortable in the hand.
- Engraved model number and supplied special chromed mic clip complements the appearance of what is already one of the most attractive mics on the market. This mic sounds and looks great — a perfect way to augment your overall performance and presentation.

USING YOUR VHM-7

The VHM-7 can be used with any standard mixer, powered mixer/amplifier, or mic preamp. Using either an XLR - XLR or XLR - 1/4" phone plug low impedance cable, connect the female XLR end to the VHM-7 and the other end (male XLR or 1/4" phone plug, as appropriate) to your equipment.

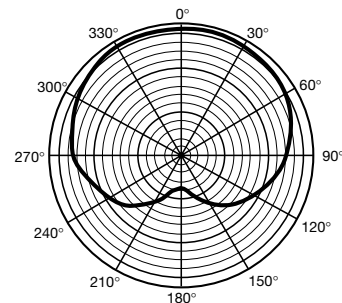
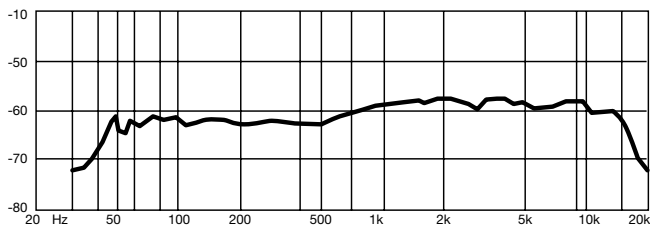
The VHM-7 can be mounted on a microphone stand with the integral mic holder mount supplied. Depending on the threading of the mic stand you are using, you may need to remove the threaded adapter from the mic holder.

Be aware of the proximity effect (an increase in bass response) when the mic is placed close to the instrument. This may or may not be desirable. Experimenting with the position of the mic with respect to the audio source will ensure the optimum results you are seeking in any given application. If the microphone is placed too near a speaker during

live stage use, an unpleasant howling effect (acoustic feedback) may occur. Although all microphones are prone to feedback to some extent, with a unidirectional polar pattern are specially designed to accept only signals from the audio source directly in front of the mic cartridge. Thus, the cardioid pattern of the VHM-7 ensures that it will deliver only the desired audio in front of the mic, rejecting the unwanted audio from the rear, even in noisy ambient conditions with high sound pressure levels from the P.A. and monitor speakers. This means that feedback will be greatly minimized with the VHM-7 in all live performance miking applications.

Some useful ways in which to totally eliminate annoying feedback include: experimenting with mic positions with respect to the speakers, decreasing speaker volume (whenever possible), and adjusting the equalization of the mic audio with the mixer.

FREQUENCY RESPONSE



SERVICE

(U.S.) Should your Nady microphone require service, please contact the Nady Service Department via telephone at (510) 652- 2411 or e-mail at service@nady.com. **(INTERNATIONAL)** For service, please contact the Nady distributor in your country through the dealer from whom you purchased this product.

Date of purchase _____

Dealer's Name _____

Street _____

City _____ State _____ Zip _____

SPECIFICATIONS

TYPE: Dynamic

POLAR PATTERN: Cardioid

FREQUENCY RESPONSE: 40 to 16KHz (± 3 dB)

SENSITIVITY: -58dB (0dB=1V/pa)

IMPEDANCE: 200 Ohms

MAX. SPL (1% THD @ 1000Hz): 144dB

SIZE (H x L x D): 3.5" x 3" x 2.25" (89 x 76 x 57 mm)

WEIGHT: 9.7 oz (276 g)

Specifications and design subject to change for improvement purposes without prior notice.

Free Manuals Download Website

<http://myh66.com>

<http://usermanuals.us>

<http://www.somanuals.com>

<http://www.4manuals.cc>

<http://www.manual-lib.com>

<http://www.404manual.com>

<http://www.luxmanual.com>

<http://aubethermostatmanual.com>

Golf course search by state

<http://golfingnear.com>

Email search by domain

<http://emailbydomain.com>

Auto manuals search

<http://auto.somanuals.com>

TV manuals search

<http://tv.somanuals.com>