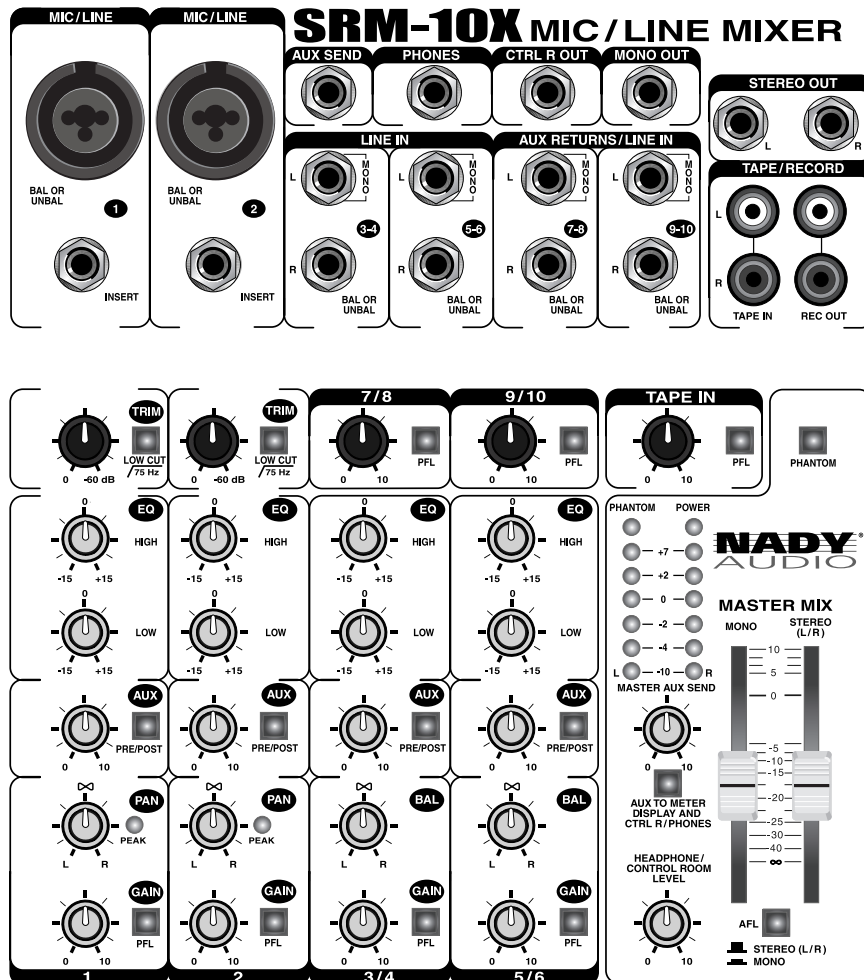


NADY[®] AUDIO

OWNER'S MANUAL



SRM-10X

10-CHANNEL STEREO MIC/LINE MIXER

SRM-10X

10-Channel Stereo Mic/Line Mixer



Congratulations on your choice of mixers — you have purchased one of the finest compact mixing consoles on the market today. This unit was developed using the expertise of professional sound engineers and working musicians. You will find that your new NADY AUDIO SRM-10X has superior performance and greater flexibility than any other mixer in its price range. Please read this manual carefully to get the most out of your new unit.

Thanks for selecting NADY AUDIO as your choice in mixing consoles.

Date of Purchase _____

Dealer's Name _____

City _____

State _____

Zip _____

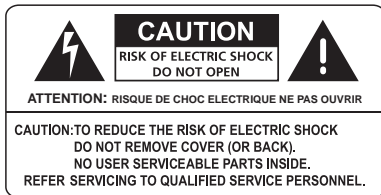
Model # _____

Serial # _____

CONTENTS

WARNING	3
FEATURES	4
INSTALLATION	5
1. Inspection	5
2. Power Connection	5
CONTROLS AND CONNECTIONS	6
1. Mono Input Section	6
2. Stereo Input Section	8
3. Master Section	9
a. Aux Sends>Returns Function and Operation	9
b. Main Mix Function and Operation	9
c. Monitor Function and Operation	10
d. Power Switches	10
4. Connections.....	11
SPECIFICATIONS	12
BLOCK DIAGRAM	13
NOTES	14

WARNING



An equilateral triangle enclosing a lightning flash/arrowhead symbol is intended to alert the user to the presence of uninsulated "dangerous voltage" within the product's enclosure which may be of sufficient magnitude to constitute a risk of electric shock.



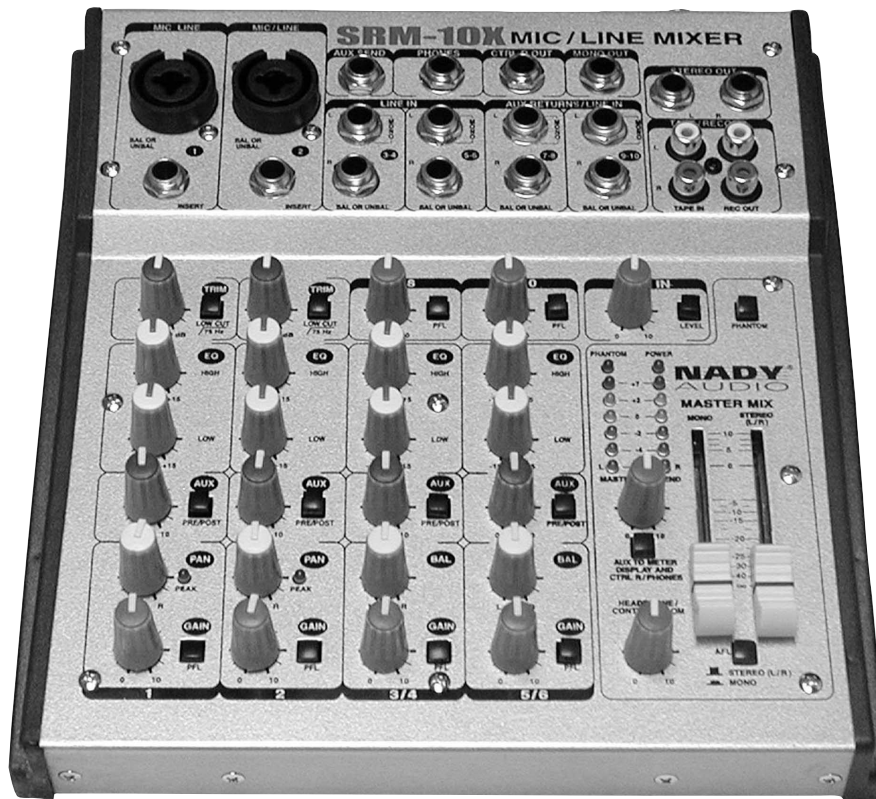
An equilateral triangle enclosing an exclamation point is intended to alert the user to the presence of important operating and service instructions in the literature enclosed with this unit.

IMPORTANT SAFETY INSTRUCTIONS

When using this electronic device, basic precautions should always be taken, including the following:

1. Read all instructions before using the product.
2. Do not use this product near water (e.g., near a bathtub, washbowl, kitchen sink, in a wet basement, or near a swimming pool, etc.).
3. This product should be used only with a cart or stand that will keep it level and stable and prevent wobbling.
4. This product, in combination with headphones or speakers, may be capable of producing sound levels that could cause permanent hearing loss. Do not operate for a long period of time at a high volume level or at a level that is uncomfortable. If you experience any hearing loss or ringing in the ears, you should consult an audiologist.
5. The product should be positioned so that proper ventilation is maintained.
6. The product should be located away from heat sources such as radiators, heat vents, or other devices (including amplifiers) that produce heat.
7. The product should be connected to a power supply only of the type described in the operating instructions or as marked on the product. Replace the fuse only with one of the specified type, size, and correct rating.
8. The power supply cord should: (1) be undamaged, (2) never share an outlet or extension cord with other devices so that the outlet's or extension cord's power rating is exceeded, and (3) never be left plugged into the outlet when not being used for a long period of time.
9. Care should be taken so that objects do not fall into, and liquids are not spilled through, the enclosure's openings.
10. The product should be serviced by qualified service personnel if:
 - A. The power supply cord or the plug has been damaged.
 - B. Objects have fallen into, or liquid has been spilled onto the product.
 - C. The product has been exposed to rain.
 - D. The product does not appear to operate normally or exhibits a marked change in performance.
 - E. The product has been dropped, or the enclosure damaged.
11. Do not attempt to service the product beyond what is described in the user maintenance instructions. All other servicing should be referred to qualified service personnel.

FEATURES



The SRM-10X is the ultimate value in compact professional stereo mic/line mixers. This high quality unit is perfect for home and project studios, live club main and monitor mixing, video post-production studios, remote broadcasting — in fact, anywhere superior performance, rugged reliability and ultra-versatility are needed in an audio mixer. With 10 channels (including 2 stereo AUX returns) and 2 tape inputs, the SRM-10X offers 12 total inputs in all. Features include:

- Two mono channels with Trim, Bass, Treble, Aux Send, Pan, and Level controls, Low Cut, Pre/Post, PFL switches, and Inserts
- Four Stereo channels: two with Level controls, Bass/Treble, Balance controls, Pre/Post Aux Send and PFL switches; two with Level controls and PFL switches
- Tape In RCA jacks with level control and PFL switch
- Tape Record Out RCA jacks
- Individual channel Aux Send, Pre/Post selectable, and Master control
- Left and Right Main unbalanced outputs with slider control
- Mono output with slider level control and AFL switch
- Dual 6-segment LED display bargraph meters
- Ultra-low noise mic preamps
- Full spectrum frequency response
- Wide dynamic range with superior headroom
- Separate Master Mix, Control Room and Headphone Outputs
- Mic and Line Balanced inputs for optimum audio integrity
- 1/4" TRS Stereo Control Room and Headphone outputs
- Switchable global +48V phantom power on all mono inputs
- Input Trim control on each mono channel
- Pan pots on each mono channel and Balance pots on each stereo input
- Peak LEDs on Mono channels
- High-quality pots for all controls with Pan/Balance and EQ controls having center detents
- High-strength steel casing and superior construction with only highest quality components for longest life and maximum reliability
- External AC supply for optimum signal integrity and superior transient response

INSTALLATION

To ensure years of enjoyment from your NADY AUDIO SRM-10X mixing console, please read and understand this manual thoroughly before using the unit.

1. INSPECTION

Your NADY AUDIO SRM-10X was carefully packed at the factory in packaging designed to protect the units in shipment. Before installing and using your unit, carefully examine the packaging and all contents for any signs of physical damage that may have occurred in transit.

[Please note: Nady Systems is not responsible for shipping damage. If your unit is damaged, do not return to Nady, but notify your dealer and the shipping company (if shipped to you) immediately to make a claim. Such claims must be made by the consignee in a timely manner.]

2. POWER CONNECTION

The SRM-10X is designed to operate with the supplied external power supply unit (PSU). Please make sure that the power unit supplied is marked for the correct voltage in your area (120V AC/60 Hz or 230VAC/50Hz). Power requirements for electrical equipment differ from area to area. In new installations and portable sound systems, or any situation in which the AC power is in question, it is wise to confirm the voltage and use the appropriate power supply unit before connecting it to power sources.

Check to see that the unit is set to the voltage for your area by referring to the table below:

Europe (except UK): 230V, 50Hz
UK and Australia: 240V, 50Hz
USA and Canada: 120V, 60 Hz

For other areas, please check with local authorities.

Do not connect the PSU to the SRM-10X while the PSU is connected to the AC mains supply. Connect the switched-off SRM-10X and PSU first before you connect the PSU to the mains supply. Lastly switch on the SRM-10X with the power switch on the back panel. Use only the correct NADY power supply unit to connect the SRM-10X to the Mains AC power.

CONTROLS AND CONNECTIONS

1. MONO INPUT SECTION

(1) COMBINED MIC XLR / 1/4" LINE INPUT

The Mic input is an electronically balanced XLR type designed to accept signals from any balanced low impedance (Low Z) microphone. To accommodate condenser microphones, this input is also equipped with +48VDC phantom power globally switchable to all XLR input jacks with the **Phantom Power switch (33)**. Dynamic or ribbon-type microphones do not require phantom powering. It will be necessary to adjust the channel gain with the input **Trim control (3)** to achieve a nominal operating level. The XLR jack is configured for: Pin1 = ground, Pin2 = positive (+), Pin3 = negative (-).

*[Note: The Mic inputs are more sensitive than the Line inputs. Also, do not connect mics with the phantom power switched on, as indicated by the **Phantom Power On LED (34)** in the Master Section of the front panel. Never use unbalanced mic cables with the Phantom Power switched on. Never short the +48VDC to ground, as that can cause serious damage to your mixer. Also, mute the Monitor/PA speakers when turning the phantom power on or off.]*

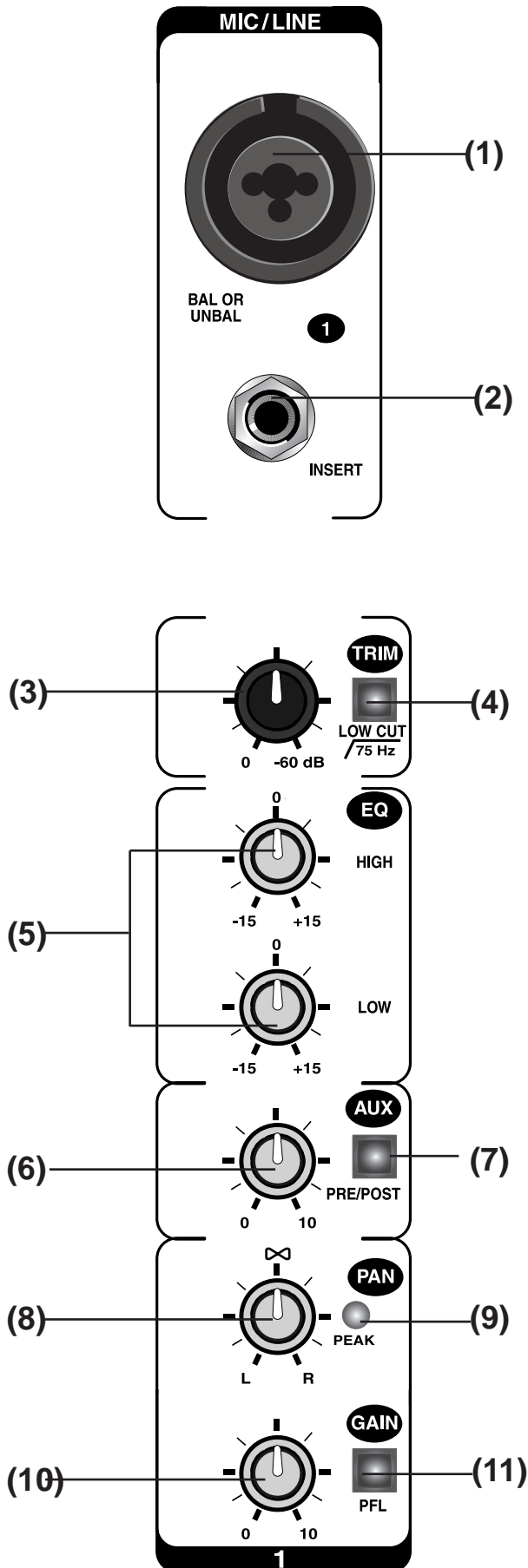
The 1/4" Line input is designed to accept balanced or unbalanced line-level signals such as those from keyboards, drum machines, or samplers. There is enough gain available on the line input to accept even lower level signals, such as those from an unbalanced microphone or guitar output. Use the **Trim control (3)** to adjust for the desired level. If a balanced signal is to be connected to the line input, then a 1/4" TRS (stereo) phone plug should be wired for: Tip = positive (+), Ring = negative (-), Sleeve = ground.

(2) INSERTS

Channels 1 and 2 are equipped with insert jacks to connect external signal processors, such as compressors, noise reduction systems, or effects devices, to the individual input channels. Insert points are useful for adding dynamic processing or equalization to a channel. The signal is intercepted post Trim and pre EQ, fed through the external device, then returned to the console at the same point where it left. The insert point is normalized, i.e., the signal is only interrupted when a connector is plugged into it. The insert jack is configured as: Tip = send, Ring = return, Sleeve = ground.

(3) TRIM CONTROL

The trim control adjusts the input sensitivity (channel gain) of the mic and line inputs on the mono input channels. This control can be adjusted to accommodate input signals from a wide variety of sources, from the high outputs from keyboards or drum machines to the small signal outputs of microphones. This wide range eliminates the need for Mic/Line switching.



CONTROLS AND CONNECTIONS

The best balance of S/N and dynamic range will be achieved if you adjust the TRIM control on each channel separately so that the **Peak Indicator LED (9)** for that channel lights occasionally.

(4) LOW CUT FILTER

Use this Low-Cut (high-pass) filter (18 dB/octave, -3 dB at 75 Hz) for reducing floor rumble, popping, breathing noises, woolly bottom end, and to tighten up channels in a mix, etc. It is most effective when used carefully in conjunction with the **Equalizer Controls (5)**.

(5) EQUALIZER CONTROLS

All mono input channels are fitted with a two-band EQ. All EQs have up to 15 dB of cut and boost, with a center detent for "off". The frequency response is flat when EQ knobs are in the center detent position. The upper and lower shelving controls have their frequencies fixed at 12 kHz and 80 Hz respectively. Remember that the **Low Cut filter (4)** is an integral part of the overall equalization of a mono channel. The channel EQ is a valuable feature of the mixer as it allows the user to control the tonal characteristics of each instrument separately. For example, boosting the LOW can fatten the sound and add punch to the bass or drums and adjusting the HIGH control can provide a crisp sounding high end. With the LOW set to boost, and the Low Cut switch activated, you get peak response rather than shelving at the bottom end. This is useful for adding warmth to vocals and instruments, and good for tight but deep bass (without losing control of your subwoofer speaker cones). Another very important, yet often overlooked technique is to use the EQ to subtract from the mix. Cutting the HIGH control can reduce unwanted hiss during multi-track recording, while attenuating the LOW can eliminate feedback in a live performance or clear up a muddy sounding mix. Cutting away the top and bottom, then pushing up the Gain is equivalent to mid range boost!

[Note: Always reset a channel's input Gain (or external devices' output level) after altering the amount of mixer equalization cut or boost applied.]

The key to successful equalization is to avoid excess. Too much equalization on the input channels will result in a mix that is smeared together with nothing specifically defined. During rehearsals, experiment with the equalizer controls on various instruments, vocals and combinations of these mixed together to become familiar with various equalizer settings.

(6) AUX SEND CONTROLS

The Channel AUX SEND is selectable Pre or Post Gain control. For almost all effects send purposes, you will want to use the Post Gain selection, so that when a Gain level is adjusted, any reverb send from that channel will follow the fader. Otherwise, when the fader is pulled down, the reverb from that channel will still be audible.

(7) PRE/POST SWITCH

This switch selects whether the AUX SEND signal is Pre or Post Gain control. (Up = Pre, Depressed = Post)

(8) PAN CONTROL

The Channel Pan positions the output of the channel in the stereo field of the Master Mix. Its constant-power design ensures there are no level discrepancies whether a signal is hard-panned, center-stage, or somewhere in-between.

(9) PEAK LED INDICATOR

The Peak LED illuminates when a channel is going into overload. It detects the peak level after the EQ and will light at 3dB before clipping to warn that the signal is approaching overload. You do not want the Peak LED to light except very intermittently during a take or a mix. If it does light persistently, reduce input gain with the **TRIM control (4)**.

(10) CHANNEL GAIN CONTROL

The channel gain controls determine the output signal level to the Master Mix bus.

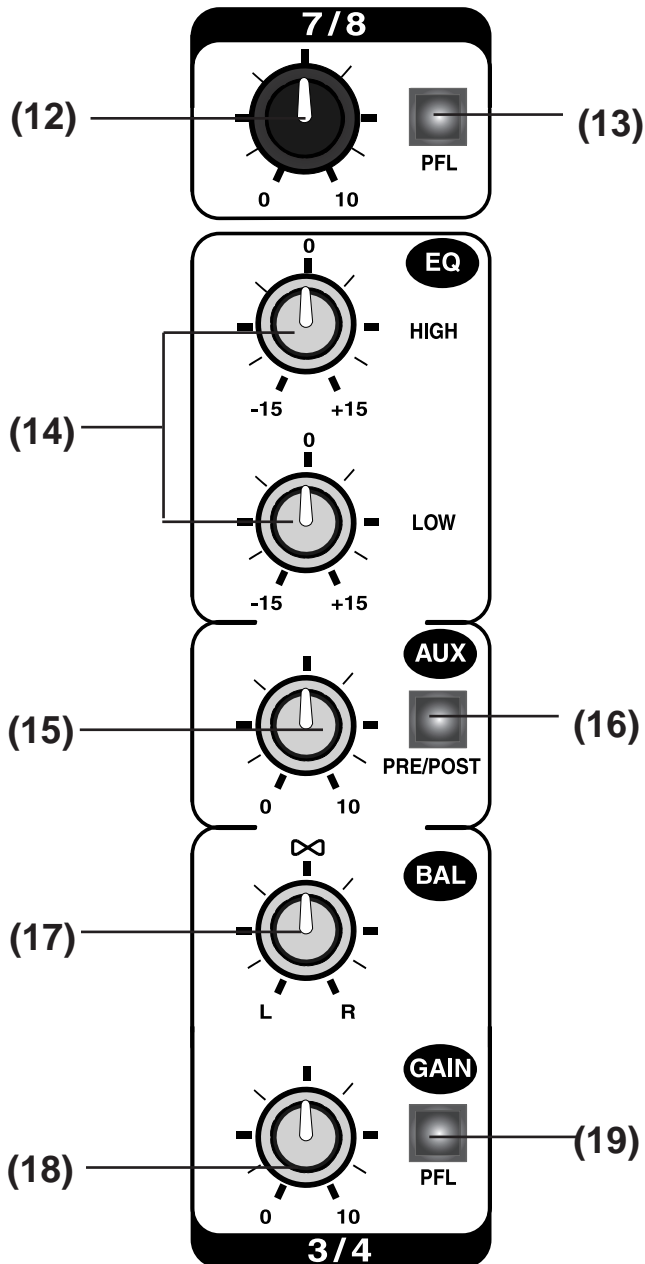
(11 & 13) PFL SWITCH

Channels 1-10 and TAPE IN channels all have PFL (Pre-Fader Listen). This allows the Meter Display and CONTROL ROOM/HEADPHONE outputs to monitor channel signals Pre channel Gain controls.

[Note: When the PFL buttons are depressed, the AUX To Meter switch should be in the off (up) position]

CONTROLS AND CONNECTIONS

2. STEREO INPUT SECTION



(24) L (MONO) LINE INPUT

On stereo input channels 3-6, the 1/4" line inputs are designed for stereo or mono line-level signals such as those from keyboards, drum machines, CD players, tape decks, or samplers. However, these inputs can also be used as standard mono line inputs by connecting the signal to the L (MONO) line in. This signal will be routed equally to the BAL control and the left and right outputs in the same way as the mono input channels. For the stereo inputs, the mono channel **PAN (8)** control is replaced by the BAL (Balance) control. See also **BAL Control (17)** below.

(25) R LINE INPUT

When using channels 3-6 as stereo input channels, the left signal should be connected to the L input and the right signal to the R input. These signals will be routed to the AUX, EQ and Channel Gain controls equally and will retain their stereo separation. The AUX, EQ, BAL, and Channel Gain controls all function the same as those on the mono input channels. When a stereo signal is input to a stereo input channel, these controls will affect the left and right signals equally.

The Stereo Line Input jacks are 1/4" unbalanced phone jacks (Tip = positive (+), Sleeve = ground). The input signals to these jacks can be either balanced or unbalanced.

(14) EQUALIZERS

The stereo channel EQ's operate in the same manner as those in the mono channels. The left and right signals will be affected equally. A stereo equalizer is generally preferable to using two mono equalizers when equalizing a stereo signal as it avoids possible discrepancies between the left and right settings.

(15) AUX SENDS

These are the same as for the mono channels. Note that a mono sum is taken from the stereo input.

(16) PRE/POST SWITCH

This switch selects whether the AUX SEND signal is Pre or Post Gain control.

(17) BAL CONTROL

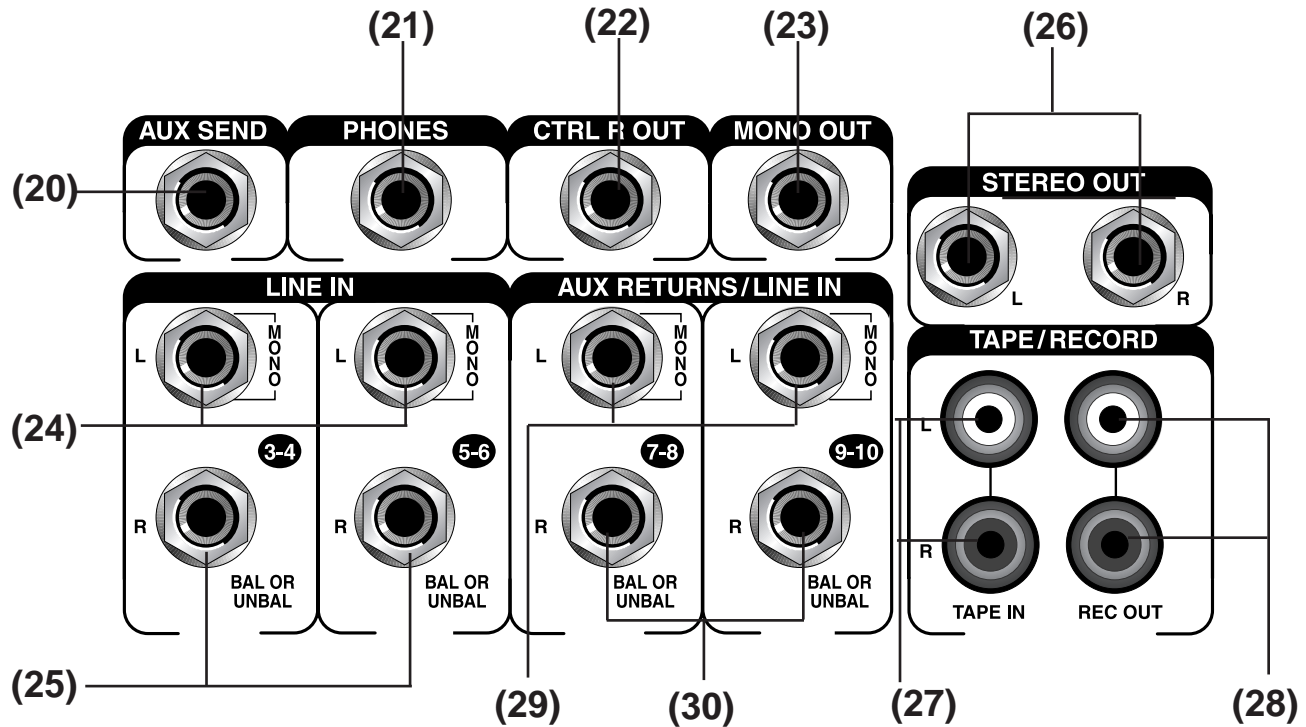
For a mono input to the L (MONO) input the function of the control is the same as the **PAN controls (8)** of the mono channels. However, when a channel is run in stereo, this control functions as a Balance control, determining the relative Balance of the left and right channel signals being sent to the left and right Master Mix buses. For example, with the Balance control turned fully clockwise, only the right portion of the channel's stereo signal will be routed to the Master Mix.

(18) CHANNEL GAIN CONTROL

This has the same function as for the mono channels. See **MONO INPUT SECTION**.

CONTROLS AND CONNECTIONS

3. MASTER SECTION



a. AUX Sends>Returns Function and Operation

- (29) STEREO AUX RETURNS LEFT/MONO
- (30) STEREO AUX RETURNS RIGHT
- (12) AUX RETURN CONTROLS

The Aux Return jacks are the mono or stereo returns for AUX 7-10. If you connect a signal to the Left/Mono Return jack only, the Aux Return will operate in mono and the signal will be routed to the respective **Aux Return Control (12)** and then mixed into the left and right **Stereo Outputs (26)**. The separate left and right return jacks are provided for use with stereo signals such as those from the output of a stereo effects processor. The left and right return signals will be routed to the **AUX Return level controls (12)** and mixed into the left and right **Stereo Out (26)**, while maintaining stereo separation. The Aux Returns are multi-functional. They may be used for returning the outputs of effect units, as Tape Returns from a multi-track recorder, or as extra instrument inputs, especially if your MIDI keyboard or rack supplies a pre-mixed stereo signal.

(20) AUX SEND

The Aux Send jack is the output for the signal sent from the channel **Aux controls (7, 15)**. It is a 1/4" unbalanced phone jack wired: Tip = positive (+), Sleeve = ground. Master Aux Send levels are adjusted by the **Master Aux Send control (37)**.

b. Main Mix Function and Operation

- (23) MONO OUTPUT
- (26) STEREO OUTPUTS
- (27) TAPE INPUTS
- (28) REC OUTPUTS
- (40) MASTER MIX MONO CONTROL
- (41) MASTER MIX STEREO CONTROL
- (36) LED OUTPUT METER

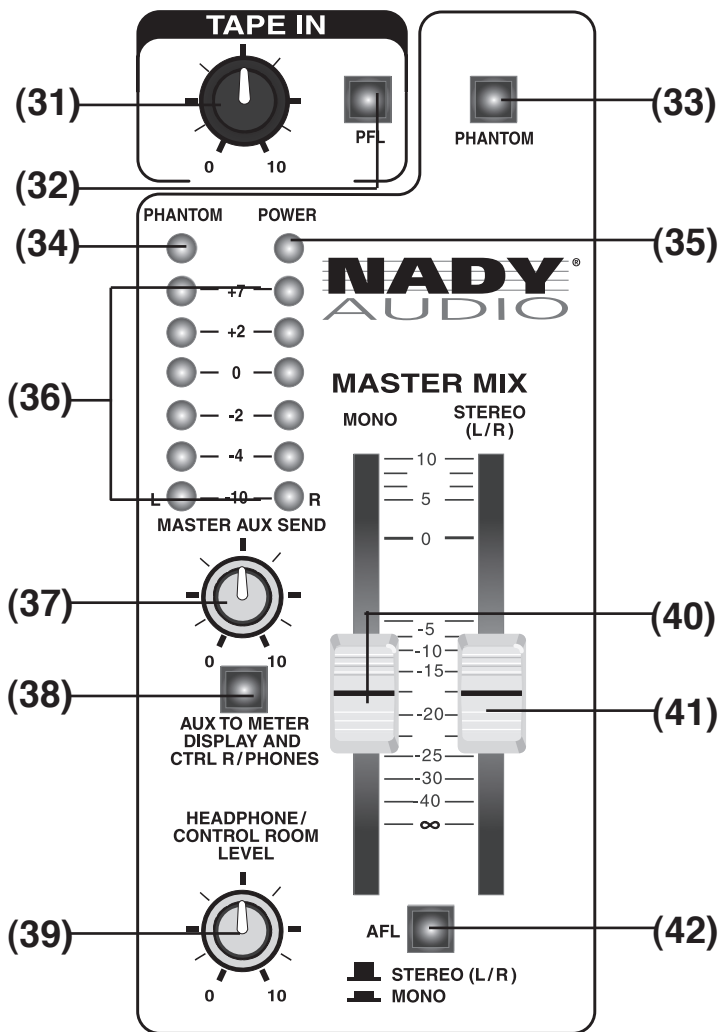
The mono sum signal of the Left and Right buses is sent to the Mono output which is controlled by the **Mono fader (40)**.

The Stereo Outputs are Left (L) and Right (R) unbalanced 1/4" TRS phone jacks, wired: Tip = positive (+), Sleeve = ground. The **REC Outputs (28)** also provide an output of the Master Mix. These outputs are RCA jacks, and designed primarily for inputs to tape recorders, etc.

The output level routed to the Stereo Outputs and REC Outputs is determined ultimately by the setting of the **Master Mix Stereo Control (41)**. The Master Mix is the sum of the signals routed from all the channels and also the inputs from the AUX return bus and the **Tape Input (27)**. The level of signal from DAT, tape decks, CD players, etc., input to the **Tape In (27)** is determined by the setting of the **Tape In (31)** level control.

The 6-stage **LED Output Meter (36)** displays the Master Mix Stereo, Mono, PFL or AUX send output level.

CONTROLS AND CONNECTIONS



The SRM-10X allows you to monitor the Master Mix. The signal level is adjusted with the **Headphone/Control Room level (39)** and routed to both the **Control Room (22)** and **Phones (21)** output. The **Control Room Output (22)** can be connected to an amp to power stereo control room (or other) monitor speakers and is 1/4" stereo jack. Both **Control Room (22)** and **Phones (21)** outputs are wired: Tip = left signal, ring = right signal, sleeve = ground.

d. Power Switches

- (43) AC POWER IN SOCKET
- (44) MAIN POWER SWITCH
- (35) POWER ON LED INDICATOR

Once the external PSU is connected to the **AC Power In socket (43)** and then to the AC power source, you may switch on your mixer with the **Power On switch (44)**. The **Power "ON" LED (35)** will light up. Allow 1 minute after powering up for the system to reach equilibrium before setting inputs gains and other levels.

- (33) PHANTOM POWER SWITCH
- (34) PHANTOM POWER ON LED INDICATOR

When using condenser mics, +48VDC can be switched globally on or off to the XLR mic inputs for all mono channels (also see **MONO INPUT SECTION, MIC INPUTS**). When this switch is in the "ON" position, the **Phantom Power On LED Indicator (34)** will light, and +48VDC will be provided between pins 2 and 3 on all the mono Mic input XLR connectors. If you don't need phantom power, be sure to turn this switch to the "OFF" position.

[Note: It is safe to connect balanced dynamic mics or line level devices even if this switch is on, but connecting unbalanced devices or devices whose transformers are center-grounded will cause hum or malfunctions. Shorting the +48VDC can also damage your mixer. Also, mute the Monitor/PA speakers when turning the phantom power on or off.]

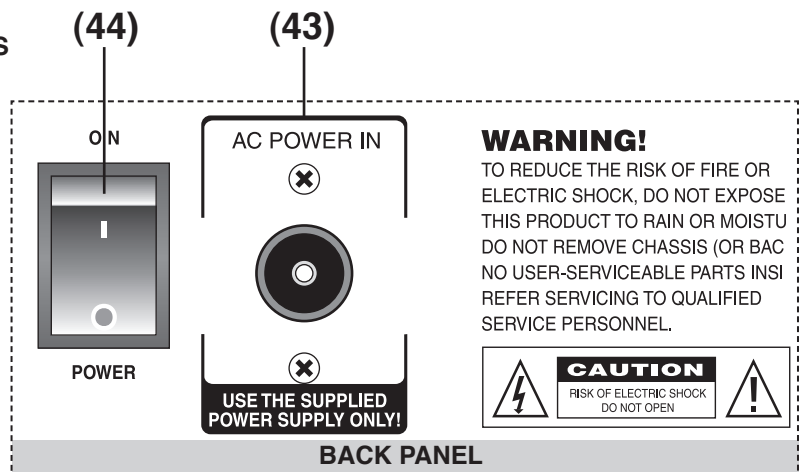
c. Monitor Function and Operation

- (38) AUX TO METER AND CTRL R/PHONES
- (42) AFL SWITCH
- (22) CONTROL ROOM OUTPUT
- (21) PHONES OUTPUT
- (39) PHONES/CONTROL ROOM CONTROL

Depressing the **AUX TO METER AND CTRL R/PHONES button (38)** allows the Aux Send output signal to be directly monitored by the Meter Display and the Control Room / Headphone outputs. This button overrides the AFL switch.

[Note: When this button is depressed, all PFL switches should be in the off (up) position]

When depressing the **AFL switch (42)**, the Meter Display and Control Room/Headphone outputs will monitor the Mono output signal.

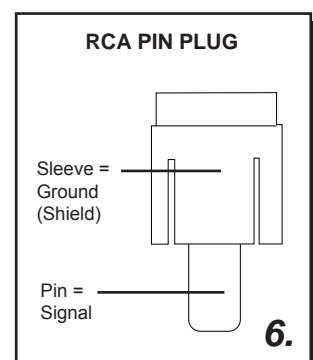
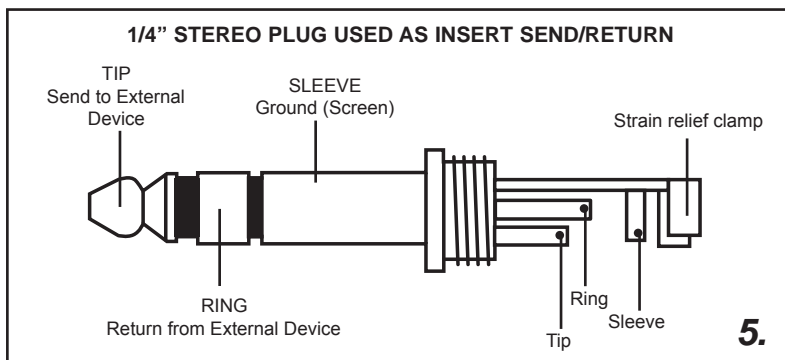
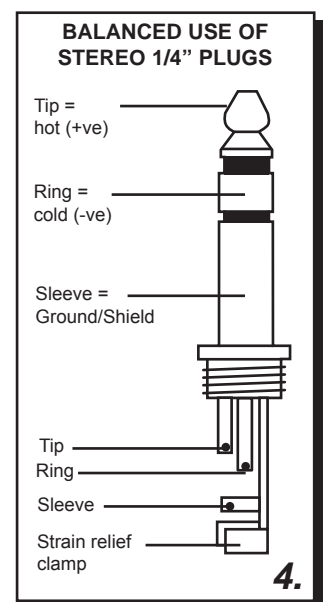
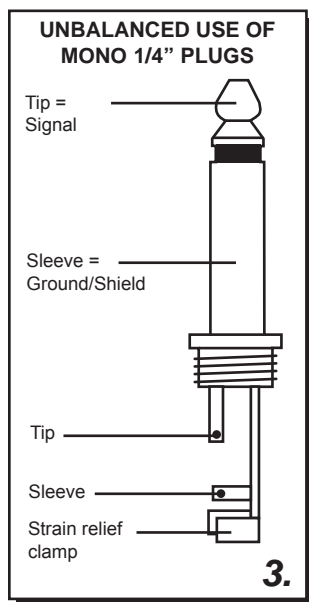
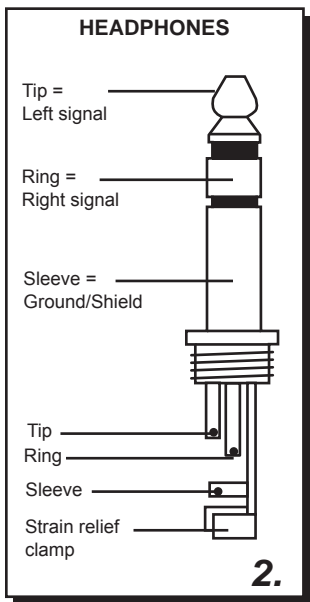
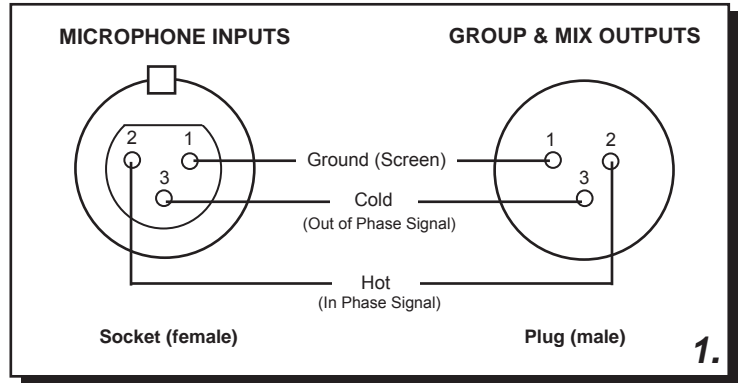


CONNECTIONS

This NADY AUDIO console uses 4 different types of audio connectors for the various input/output connections: (1) XLR balanced; (2) 1/4" TRS phone jacks for balanced, unbalanced, stereo, or in/out inserts; (3) 1/4" TRS unbalanced; (4) RCA pin unbalanced

Figures

1. *Balanced XLR input/output connections*
2. *Stereo headphone connection with 1/4" TRS plug*
3. *1/4" mono (TRS) plug used as unbalanced input/output*
4. *1/4" stereo (TRS) plug used as balanced input/output*
5. *1/4" TRS plug used as Insert Send/Return*
6. *RCA pin plug for unbalanced input/output*



SPECIFICATIONS

Setting: MONO OUT, +4dBm/400Hz, All Pots at MID, Master at MAX.

1. INPUT SECTION

Input	Connector	Input Impedance	Nominal Level	Max Level
MONO CH MIC	XLR	1.3K Ω	-28 dBm	-1.0 dBm
MONO CH LINE	1/4" TRS	11K Ω	-10 dBm	+17 dBm
STEREO CH LINE	1/4" TRS	10K Ω	-10 dBm	+10 dBm
STEREO TAPE IN	RCA PIN JACKS	10K Ω	-9 dBm	+8 dBm
AUX RETURNS	1/4" TS	5K Ω	-11 dBm	+8 dBm

2. OUTPUT SECTION

Output	Connector	Output Impedance	Nominal Level	Max Level
STEREO OUT L/R	1/4" TS	210 Ω	+4.6 dBm	+20 dBm
AUX SENDS	1/4" TS	210 Ω	-22.2 dBm	-6.4 dBm
CNTRL R. OUT	1/4" TS	22 Ω	-19.4 dBm	+20 dBm
REC OUT	RCA PIN JACKS	1K Ω	-10.6 dBm	+4.8 dBm
PHONES	1/4" TRS	22 Ω	+19.4 dBm	22mW X 2

3. FREQUENCY RESPONSE

ANY INPUT TO
ANY OUTPUT20Hz ~ 20kHz +/-3 dB

4. TOTAL HARMONIC DISTORTION

ANY INPUT TO
ANY OUTPUT0.08%

5. INPUT CHANNEL EQUALIZATION

High12k, +/-15 dB, Q fixed at 2 oct.
Low80 Hz, +/- 15 dB, Q fixed at 2 oct.
Low Cut (High Pass)
filter (Mono channels only)75 Hz, -3 dB (18 dB/octave)

6. GAIN CONTROL RANGE

Mono input channel
trim control40 dB
Channel/Master gain controls +14 dB from 0 dBm
Aux Send+12 dB from +4 dBm

7. CROSSTALK @ 1KHZ

ADJACENT CHANNEL INPUTS-100 dB
INPUT TO OUTPUT -40.6 dB

8. HUM AND NOISE

Residual Output Noise-73.7 dBm
S/N Ratio-93.3 dBm

9. VU METERS

6-segment LED X 2 (+7 to -10) L/R

10. PHANTOM POWER

+48 VDC, globally selected

11. POWER REQUIREMENTS

External PSU, 120 VAC/60Hz or 230 VAC/50Hz

12. POWER CONSUMPTION

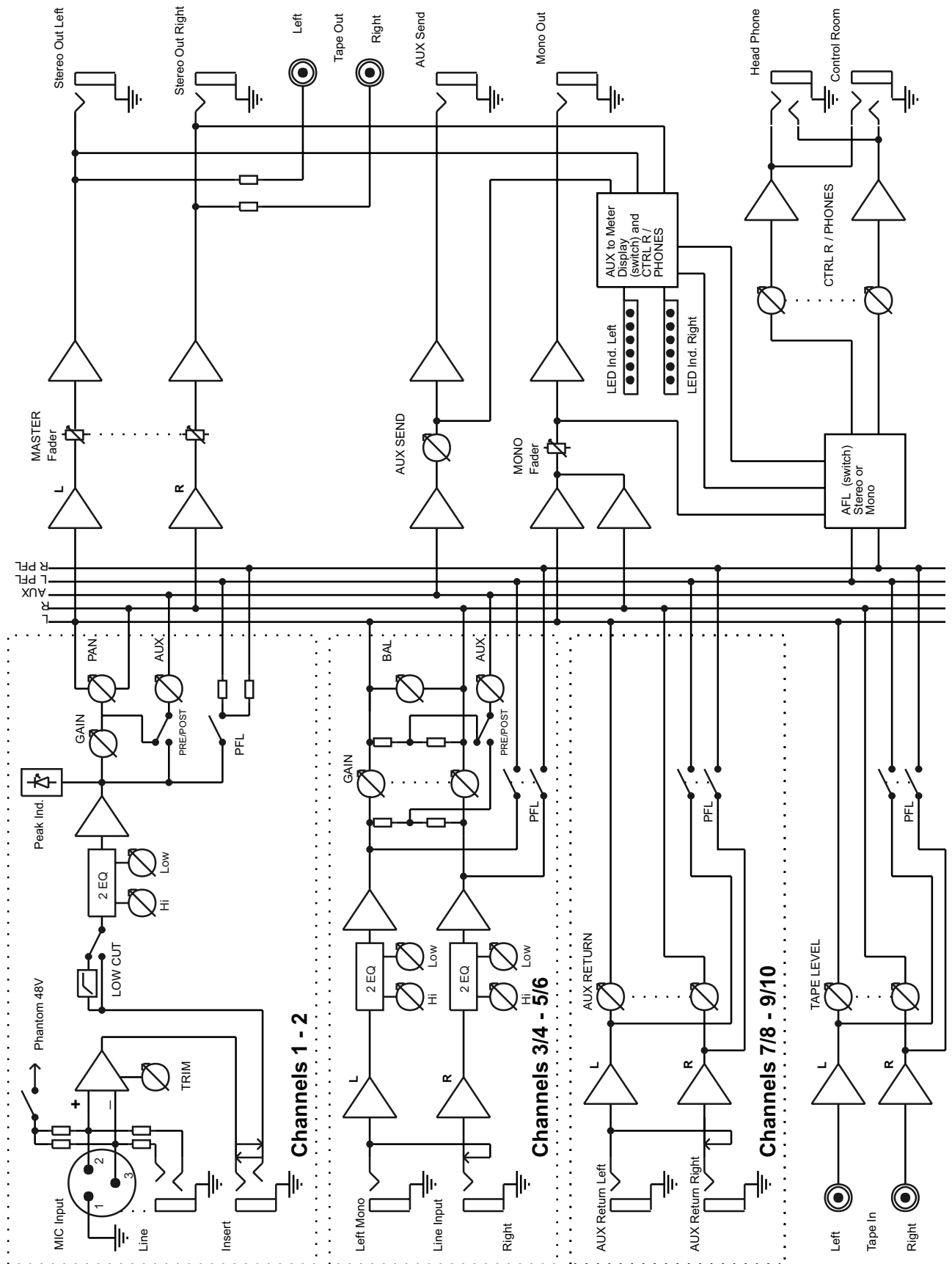
16.2 Watts, External PSU

13. DIMENSIONS AND WEIGHT

8.125" x 1.625" x 9" (206 mm x 41 mm x 228.6 mm),
4.85 lbs (2.2 Kg)

The specifications above are correct at the time of printing of this manual. For improvement purposes, all specifications for this unit, including design and appearance, are subject to change without prior notice.

BLOCK DIAGRAM



NOTES

ONE YEAR LIMITED WARRANTY

Nady Systems, Inc. warrants to the original consumer purchaser that the unit is free from any defects in material or workmanship for a period of one year from the date of original retail purchase. If any such defect is discovered within the warranty period, Nady Systems, Inc. will repair or replace the unit free of charge, subject to verification of the defect or malfunction upon return to Nady Systems. Please do not return your Nady product to the store where it was purchased as Nady Systems handles your warranty service directly. Communication with our Service Department is the most efficient means of servicing your unit and we are dedicated to keeping you a satisfied customer.

To the extent permitted by law, any applicable implied warranties, including warranties of merchantability and fitness are hereby limited to one year from the date of purchase. Consequential or incidental damages resulting from a breach of any applicable express or implied warranties are hereby excluded. This warranty is in lieu of all other agreements and warranties, general or special, express or implied and no representative or person including a Nady dealer, agent, or employee is authorized to assume for us any other liability in connection with the sale or use of this Nady Systems' product.

Whereas some states do not allow limitations on how long implied warranties last, and do not allow exclusion of incidental or consequential damages, the above limitations and exclusions may not apply to you. This warranty gives you specific legal rights and you may also have other rights which may vary from state to state.

This warranty is subject to the following conditions:

- 1) This system must have been purchased from an authorized Nady dealer and all warranty service must be performed by Nady's service department. Any service not performed by Nady will automatically void this warranty.
- 2) Items not covered: physical damage resulting from improper handling of the unit in transit from the factory by the shipper (Nady Systems is not responsible for such damage and all such claims must be made against the shipping company by the consignee); defects caused by normal wear of the product (expendable parts are typically connectors, cables, potentiometers, switches and similar components); damage or defects caused by abuse, neglect, accident, failure to connect or operate the unit in any way that does not comply with applicable technical or safety regulations, or improper repair, excessive heat or humidity, alteration or unreasonable use of the unit, causing cracks, broken cases/housings or parts; damage caused by leaking batteries; finish or appearance items; items damaged in shipment en route to Nady Systems, Inc. for repair. The warranty is null and void if any Nady serial number has been removed or defaced.

How To Obtain Service:

- 1) If factory service is required, you must contact our Service Department at (510) 652-2411 for a return authorization (RA) number. Make sure the RA number is clearly marked on the outside of your package. (Please note: if an RA number is not included, our shipping department cannot accept your package.)
- 2) Send the unit back to Nady Systems, 6701 Shellmound Street, Emeryville, CA, 94608, freight pre-paid. You must include proof of date and place of purchase (i.e., photocopy of your bill of sale) or Nady cannot be responsible for repair or replacement. Nady Systems, Inc. will not repair, nor be held responsible, for any units returned without proper identification, return address, and RA number clearly marked on the package.
- 3) Per the above, Nady will perform all warranty service and return the unit to you at no charge. Nady Systems will inform the buyer if product sent in does not meet the terms of this warranty and will provide a quote for fixing the unit and/or shipping it back exclusively at the buyer's expense.

SERVICE FOR YOUR NADY AUDIO PRODUCT

(U.S.) Should your NADY AUDIO product require service, please contact the Nady Service Department via telephone at (510) 652-2411, or e-mail at service@nady.com.

(International) For service, please contact the NADY AUDIO distributor in your country through the dealer from whom you purchased this product.

DO NOT ATTEMPT TO SERVICE THIS UNIT
YOURSELF AS IT CAN BE DANGEROUS
AND WILL ALSO VOID THE WARRANTY.



NADY SYSTEMS, INC. • 6701 SHELLMOUND STREET, EMERYVILLE, CA 94608
Tel: 510.652.2411 • Fax: 510.652.5075 • www.nady.com

Free Manuals Download Website

<http://myh66.com>

<http://usermanuals.us>

<http://www.somanuals.com>

<http://www.4manuals.cc>

<http://www.manual-lib.com>

<http://www.404manual.com>

<http://www.luxmanual.com>

<http://aubethermostatmanual.com>

Golf course search by state

<http://golfingnear.com>

Email search by domain

<http://emailbydomain.com>

Auto manuals search

<http://auto.somanuals.com>

TV manuals search

<http://tv.somanuals.com>