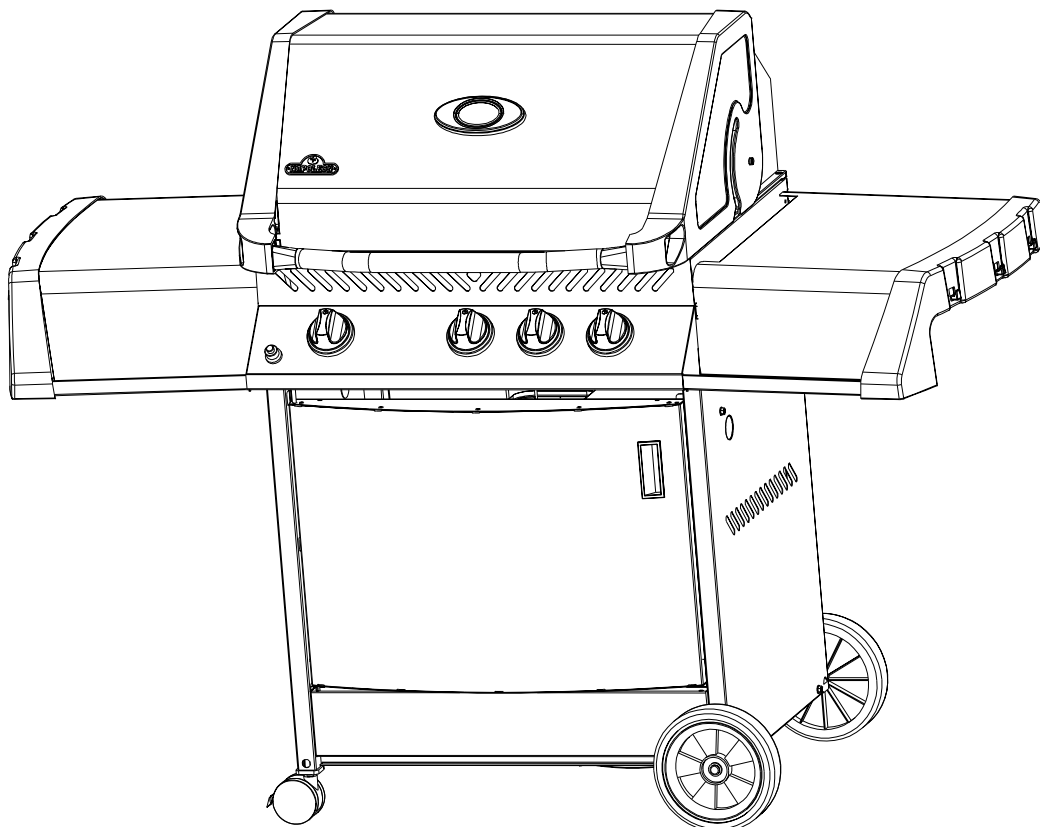


SERIAL / SÉRIE# _____



GOURMET GRILLS

Award Winning Products



PRESTIGE II 308/450

MANUFACTURED BY / MANUFACTURE PAR: **NAPOLEON APPLIANCE CORP.**,
214 BAYVIEW DR., BARRIE, ONTARIO, CANADA L4N 4Y8 PHONE: (705)726-4278
FAX: (705)725-2564 EMAIL: care@nac.on.ca WEB SITE: www.napoleongrills.com



RETAIN THIS MANUAL FOR FUTURE REFERENCE.
REFER TO OUR WEBSITE FOR AN ASSEMBLY VIDEO.
GARDER CE LIVRE POUR RÉFÉRENCES FUTURES
RÉFÉREZ-VOUS À NOTRE SITE WEB POUR UNE VIDÉO D'ASSEMBLÉE.



N415-0136 / JAN17/07

Do not try to light this appliance without reading "LIGHTING" instructions section of this manual.



WARNING

Do not store or use gasoline or other flammable liquids or vapors in the vicinity of this or any other appliance. An L.P. cylinder not connected for use must not be stored in the vicinity of this or any other appliance. If the information in these instructions is not followed exactly, a fire or explosion may result, causing property damage, personal injury or death.



DANGER

IF YOU SMELL GAS:

- **Shut off gas to the appliance.**
- **Extinguish any open flame.**
- **Open lid.**
- **If odor continues, keep away from the appliance and immediately call your gas supplier or your fire department**



CAUTION

During unpacking and assembly it is recommended that you wear work gloves and safety glasses for your protection. Although we make every effort to make the assembly process as problem free and safe as possible, it is characteristic of fabricated steel parts that the edges and corners may be sharp and can cause cuts if handled incorrectly.

SAFE OPERATING PRACTICES

- This gas grill is not intended to be installed in or on recreational vehicles and/or boats.
- This gas grill must only be used outdoors in a well-ventilated space and must not be used inside a building, garage or any other enclosed area.
- Keep any electrical supply cord and fuel supply hose away from any heated surfaces.
- Inspect the fuel supply hose before each use. If there is evidence of excessive abrasion or wear or the hose is cut, it must be replaced, prior to using the gas grill, with a replacement hose assembly specified by the manufacturer.
- When the propane cylinder is not disconnected from the appliance, the gas grill and cylinder must be stored outdoors in a well ventilated space.
- Do not locate in windy settings. High winds adversely affect the cooking performance of the gas grill.
- Adults and especially children should be alerted to the hazards of high surface temperatures. Young children should be supervised near the gas grill.
- Under no circumstances should this gas grill be modified.
- Gas must be turned off at the propane cylinder or at the natural gas supply valve when the gas grill is not in use.
- When the gas grill is to be stored indoors, the connection between the propane cylinder and the gas grill must be disconnected and the cylinder removed and stored outdoors in a well ventilated space out of reach of children. Disconnected cylinders must not be stored in a building, garage or any other enclosed area. Natural gas units must be disconnected from the supply when being stored indoors.
- The top lid is to be closed during the gas grill preheat period
- Do not use the condiment tray to store lighters, matches or other flammable materials.
- This gas grill is designed for outdoor use only.



NAPOLEON gas grills are manufactured under the strict Standard of the world recognized ISO 9001-2000 Quality Assurance Certificate.

NAPOLEON products are designed with superior components and materials, and are assembled by trained craftsmen who take great pride in their work. The burner and valve assembly are leak tested and test-fired at a quality test station, and thoroughly inspected by a qualified technician before packaging and shipping to ensure that you, the customer, receive the quality product you expect from NAPOLEON.



NAPOLEON GAS GRILL PRESIDENT'S LIMITED LIFETIME WARRANTY

NAPOLEON warrants the following materials and workmanship in your new NAPOLEON gas grill against defects for as long as you own the gas grill. This covers: aluminum castings, stainless steel burners, stainless steel rod cooking grids, stainless steel side shelves, LUXIDIO[®] side shelf endcaps, wheels, knobs, porcelain enamelled lids and stainless steel lids. Subject to the following conditions. During the first ten years NAPOLEON will provide replacement parts at our option free of charge. From the eleventh year to lifetime NAPOLEON will provide replacement parts at 50% of the current retail price.

Components such as regulator, casters, stainless steel warming rack, hoses and connectors, fasteners and accessories are covered and NAPOLEON will provide parts free of charge during the first year of the limited warranty.

Components such as stainless steel sear plates, igniter (excluding batteries), temperature gauge and brass valves are covered and NAPOLEON will provide parts free of charge during the first three years of the limited warranty.

NAPOLEON shall not be liable for any transportation charges, labour costs or export duties.

CONDITIONS AND LIMITATIONS

"NAPOLEON warrants its products against manufacturing defects to the original purchaser only (ie., the individual or legal entity (registered customer) whose name appears on the warranty registration card filed with NAPOLEON), provided that the purchase was made through an authorized NAPOLEON dealer and is subject to the following conditions and limitations:"

This factory warranty is non-transferable and may not be extended what-so-ever by any of our representatives.

The gas grill must be installed by a licenced, authorized service technician or contractor. Installation must be done in accordance with the installation instructions included with the product and all local and national building and fire codes.

This limited warranty does not cover damages caused by misuse, lack of maintenance, grease fires, hostile environments, accident, alterations, abuse or neglect and parts installed from other manufacturers will nullify this warranty.

This limited warranty further does not cover any scratches, dents, painted finishes, corrosion or discolouring by heat, abrasive and chemical cleaners, nor chipping on porcelain enamel parts, nor any components used in the installation of the gas grill.

Should deterioration of parts occur to the degree of non-performance within the duration of the warranted coverage, a replacement part will be provided.

In the first year only, this warranty extends to the replacement of warranted parts which are defective in material or workmanship provided that the product has been operated in accordance with the operation instructions and under normal conditions.

After the first year, with respect to this President's Limited Lifetime Warranty NAPOLEON may, at its discretion, fully discharge all obligations with respect to this warranty by refunding to the original warranted purchaser the wholesale price of any warranted but defective part(s).

NAPOLEON will not be responsible for the installation, labour or any other costs or expenses related to the re-installation of a warranted part, and such expenses are not covered by this warranty.

Notwithstanding any provision contained in this President's Limited Lifetime Warranty NAPOLEON's responsibility under this warranty is defined as above and it shall not in any event extend to any incidental, consequential, or indirect damages.

This warranty defines the obligation and liability of NAPOLEON with respect to the NAPOLEON gas grill and any other warranties expressed or implied with respect to this product, its components or accessories are excluded.

NAPOLEON neither assumes, nor authorizes any third party to assume, on its behalf, any other liabilities with respect to the sale of this product. NAPOLEON will not be responsible for: over firing, blow outs caused by environmental conditions such as strong winds, or inadequate ventilation,

Any damages to the gas grill due to weather damage, hail, rough handling, damaging chemicals or cleaners will not be the responsibility of NAPOLEON.

The bill of sale or copy will be required together with a serial number and a model number when making any warranty claims from NAPOLEON. The warranty registration card must be returned within fourteen days to register the warranty or you can register on-line at www.napoleongrills.com.

NAPOLEON reserves the right to have its representative inspect any product or part prior to honouring any warranty claim.

NAPOLEON shall not be liable for any transportation charges, labour costs, or export duties.

GENERAL INFORMATION

THIS GAS BARBECUE IS CERTIFIED UNDER CANADIAN AND AMERICAN NATIONAL STANDARDS, CAN/CGA-1.6-M95 AND ANSI Z21.58 -1995 RESPECTIVELY FOR OUTDOOR GAS GRILLS AND SHOULD BE INSTALLED to conform with local codes. In absence of local codes, install to the current CAN1-B149.2 Propane Installation Code in Canada or to the National Fuel Gas Code, ANSI Z223.1 in the United States.

If a rotisserie motor is used, it must be electrically grounded in accordance with local codes or, in absence of local codes, with the current CSA C22.1 CANADIAN ELECTRICAL CODE in Canada or the National Electrical Code, ANSI/NFPA 70 in the United States.

USE ONLY THE PRESSURE REGULATOR AND HOSE ASSEMBLY PROVIDED WITH THIS BARBECUE. REPLACEMENT PRESSURE REGULATORS AND HOSE ASSEMBLIES MUST BE SPECIFIED BY THE MANUFACTURER. DO NOT STORE PROPANE CYLINDER OR SPARE CYLINDER ON THE SHELF BENEATH THE BARBECUE.

The regulator supplies a pressure of 11 inches water column to the gas grill and has a QCC1 type fitting. Cylinders to be used with this unit must be supplied with a Sherwood #3349 QCC1 cylinder valve. A QCC1 cylinder has a positive seating connection, which will not allow gas flow until a positive seal has been achieved. It is also equipped with an excess flow device. In order to attain full flow to the barbecue, **the valves must be in the off position when the cylinder valve is turned on.**

PROPANE CYLINDER SPECIFICATIONS: A dented or rusty cylinder may be hazardous and should be checked by your propane supplier. Never use a cylinder with a damaged valve. Use only a propane supply cylinder constructed and marked in accordance with the specifications for LP-gas cylinders of the Canadian Transport Commission (CTC) or the US Department of Transportation (DOT). This appliance has been designed for use with a 20lb. (9.1 kg) size propane cylinder only (not supplied).

The propane cylinder must be provided with a shut-off valve terminating in a propane cylinder valve type QCC1, and a safety relief device having direct communication with the vapour space of the cylinder. The cylinder supply system must be arranged for vapour withdrawal and the cylinder shall include a collar to protect the cylinder valve. The cylinder shall incorporate an OPD (overfill protection device).

CALIFORNIA PROPOSITION 65: The burning of gas fuel creates byproducts, some of which are on the list as substances known by the State of California to cause cancer or reproductive harm. When cooking with gas, always ensure adequate ventilation to the unit, to minimize exposure to such substances.

IMPORTANT DO'S AND DON'TS

DO'S

- Read the entire instruction manual before operating the gas grill.
- Maintain proper clearance to combustibles (16" to rear of unit, 7" to sides). Additional clearance is recommended near vinyl siding or large panes of glass.
- Leak test the unit before initial use, annually and whenever any gas components are replaced.
- Follow lighting instructions carefully when operating grill.
- Burner controls must be off when turning supply cylinder valve on.
- Ensure sear plates are positioned properly according to sear plate installation instructions. The holes must be towards the front of the gas grill.
- Clean grease tray and sear plates regularly to avoid build-up which may lead to grease fires.
- Remove warming rack before lighting rear burner. (The extreme heat will damage the warming rack.)

DON'TS

- Do not attempt to use a cylinder which is not equipped with a QCC1 type connection.
- Do not route hose underneath drip pan - proper hose clearance to bottom of unit must be maintained.
- Do not use condiment tray to store lighters, matches or any other combustibles.
- Do not locate unit under unprotected combustible construction.
- Do not operate rear burner with main burners operating.
- Do not leave grill unattended when operating.
- Do not light burners with lid closed.
- Do not move grill when hot or operating.
- Do not allow cold water (rain, sprinkler, hose, etc.) to come in contact with heated unit. A large temperature differential can cause chipping in the porcelain.
- Do not use a pressure washer to clean any part of the unit.

GAS HOOK-UP INSTRUCTIONS



CYLINDER CONNECTION: Ensure that the gas regulator hose is kink free. Remove the cap or plug from the cylinder fuel valve. Insert the black QCC1 regulator nipple onto the QCC1 fuel valve. Hand tighten clockwise. *Do not use tools. Leak test all joints prior to using the barbecue.* A leak test must be performed annually, and each time a cylinder is hooked up, or if a part of the gas system is replaced.

PROPANE CYLINDER INSTALLATION: Set cylinder into hole in bottom shelf.

IMPORTANT: The regulator must be attached so that no part of the hose touches the underside of the grill or drippan. A fire will result if these directions are ignored.

NATURAL GAS HOOK-UP: This natural gas grill is supplied with a 10ft supply hose (complete with a quick disconnect) designed for natural gas and certified for outdoor use. The gas grill is designed to operate at an inlet pressure of 7 inches water column. Piping and valves upstream of the quick disconnect are not supplied.

The quick disconnect must not be installed in an upward direction and a readily accessible manual shut-off valve must be installed upstream of, and as close to, the quick disconnect as is feasible. The flared end of the hose must be connected to the fitting on the end of the manifold tube as illustrated in the *Natural Gas Hose Attachment* diagram. Wrench tighten. (*Do not use thread sealer/pipe dope.*) These connections must be made by a licensed gas installer. Leak test all joints prior to using the gas grill.

LEAK TESTING INSTRUCTIONS



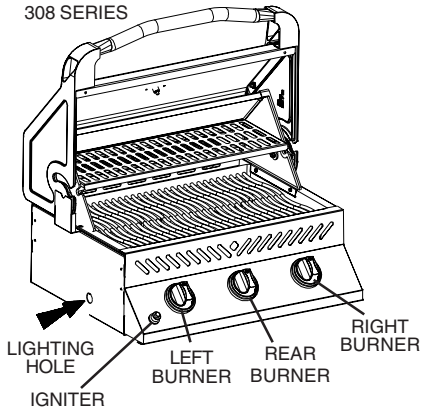
DO NOT USE A FLAME TO LEAK TEST.

LEAK TESTING: This must be done before initial use, annually and whenever any gas components are replaced or serviced. No smoking while performing this test, and remove all sources of ignition. See *Leak Testing Diagram* for areas to check.

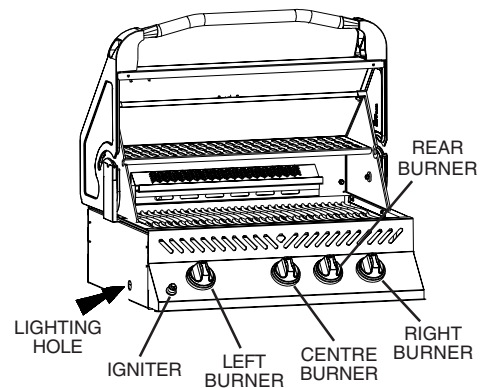
1. Turn all burner controls to off. Turn supply valve on.
2. Brush a half and half solution of liquid soap and water onto all joints and connections of the regulator, hose, manifolds and valves.
3. Bubbles will indicate a gas leak. Either tighten the loose joint or replace the part with one recommended by the dealer.
4. If the leak cannot be stopped, shut off the gas supply, disconnect it and have the barbecue inspected by your gas supplier or dealer. Do not use the appliance until the leak has been corrected.
5. Turn off gas supply.

LIGHTING INSTRUCTIONS

308 SERIES



450 SERIES



Open lid.



Ensuring all burner controls are in the off position, slowly turn on the gas supply valve.

Main Burner Lighting

Turn left burner control to high position.

Press and hold igniter button until lit, or light by match.

If ignition is not immediate, turn burner control off. Wait 5 minutes.

With left burner operating on high, turn the centre and/or right burner to high.

Rear Burner Lighting

Remove warming rack.

Turn rear burner control to high position.

Press and hold igniter button until lit, or light by match.

If ignition is not immediate, turn burner control off. Wait 5 minutes.

Side Burner Lighting (optional)

Open burner cover.

Turn side burner control to high position.

Turn igniter knob clockwise several times or light by match.

If ignition is not immediate, turn burner control off. Wait 5 minutes.



The propane cylinder is equipped with an excess flow device. Unless all burners are turned off prior to turning the cylinder on, only small flames and low heat will be achievable.



Do not use back burner while operating main burner.

COOKING INSTRUCTIONS

When lit for the first time, the gas grill will emit a slight odour. This is a normal temporary condition caused by the "burn-in" of internal paints and lubricants used in the manufacturing process and will not occur again. Simply run the main burners on high for approximately ½ hour with the lid closed.

MAIN BURNER USE: When searing foods, preheating is recommended by operating all main burners in the high position with the lid closed for approximately 10 minutes. Food cooked for a short period of time (fish, vegetables) may be grilled with the lid open. Cooking with the lid closed will ensure higher, more even temperatures that will reduce cooking time and cook meat more evenly. Food that has a cooking time longer than 30 minutes, such as roasts, may be cooked indirectly (with the burner lit opposite to the food placement). When cooking very lean meats, such as chicken breasts, or lean pork, the grids can be oiled before preheating to reduce sticking. Cooking meat with a high degree of fat content, may create flare-ups. Either trim some fat or reduce temperatures to prevent this. Should a flare-up occur, move food away from flames, reduce heat. Leave the lid open. See 'Your All Season Grill' cookbook by Napoleon for more detailed instructions.

REAR BURNER USE: *Remove the warming rack prior to use.* Cooking grids should also be removed if they interfere with the rotisserie. This gas grill is equipped with a 15,000 BTU (308)/19,000 BTU (450) rear burner. The rear burner is designed to be used in conjunction with the rotisserie kit (included with rear burner units) available from your dealer. See the rotisserie kit assembly instructions. To use the counterbalance, remove the rotisserie motor from the gas grill. Place the spit with meat being cooked across the hangers inside the grill. The meat will naturally hang with the heavy side down. Tighten the counterbalance arm and weight, so that the arm is facing up. Slide the counterweight in or out to balance the load, and tighten in place. Re-install the motor and begin cooking. Place a dish underneath to collect drippings for basting and naturally delicious gravy. Basting liquid may be added as required. To seal in juices, first operate rear burner on high until brown, then reduce the heat to thoroughly cook foods. Keep the lid closed for best results. Your roasts and fowl will brown perfectly on the outside and stay moist and tender on the inside. For example, a 3 pound chicken on the rotisserie will be done in approximately 1½ hours on medium to high. See 'Your all Season Grill' cookbook by Napoleon for more detailed instructions.

SIDE BURNER (optional) USE: The side burner can be used like any range top burner, for gravies, soups etc. The gas grill should be located so that the side burner is protected from the wind, because the wind will adversely affect it's performance.

CLEANING INSTRUCTIONS

Ensure that the burners are turned off prior to cleaning. Avoid unprotected contact with hot surfaces. Clean grill in an area where cleaning solutions will not harm decks, lawns or patios. Do not use oven cleaner to clean any part of this gas grill. Do not use a self cleaning oven to clean cooking grids or any other parts of the gas grill. Barbecue sauce and salt can be corrosive and will cause rapid deterioration of the gas grill components unless cleaned regularly.

GRIDS AND WARMING RACK - The grids and warming rack are best cleaned during the pre-heat period with a soft brass wire brush. Steel wool can be used for stubborn stains. Stainless grids will discolour permanently from normal usage, due to the high temperature of the cooking surface.

CLEANING INSIDE THE GAS GRILL - Remove cooking grids. Use a soft brass wire brush to clean loose debris from casting sides and insides of the lid. Scrape sear plates with a putty knife or scraper, and use a wire brush to remove ash. Remove sear plates and brush debris off of burners with a brass wire brush. Brush all debris from inside the gas grill into the removable drip pan. Ensure that the sear plates are placed properly when they are reinstalled (Check assembly instructions for proper orientation).

DRIP PAN - Slide the drip pan out for easy cleaning. It should be cleaned frequently (every 4-5 uses) to avoid grease buildup. Grease and excess drippings pass through to the drip pan, located under the gas grill, and accumulate in the disposable grease tray below the drip pan. Accumulated grease can cause a fire hazard. Do not line the drip pan with aluminum foil or sand, as it can prevent the grease from flowing properly. The pan should be scraped out with a putty knife or scraper, and all the debris should be scraped into the disposable grease tray. This tray should be replaced every two to four weeks, depending on gas grill usage. For supplies, see your Napoleon Gas Grill dealer.

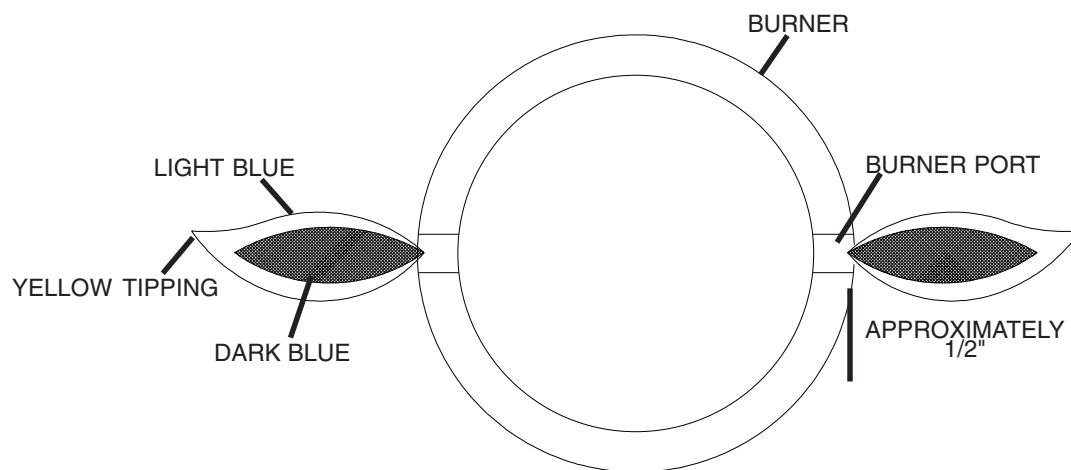
CLEANING THE OUTSIDE OF THE GAS GRILL - Do not use abrasive cleaners to clean any painted, porcelain or stainless steel parts. Porcelain enamel components must be handled with additional care. The baked on enamel finish is glass like, and will chip if struck. Touch-up enamel is available from your Napoleon Gas Grill dealer. Exterior grill surfaces should be cleaned while warm to the touch, with warm soapy water. To clean stainless surfaces, use a stainless steel cleaner or a non-abrasive cleaner. Always wipe in the direction of the grain. Do not use steel wool, as it will scratch the finish. Stainless steel parts will discolour when heated, usually to a golden or brown colour. This discolouration is normal and will not affect the performance of the grill.

MAINTENANCE INSTRUCTIONS

It is recommended that this gas grill be thoroughly inspected and serviced annually by a qualified service person.

Turn off the gas at the source and disconnect unit before servicing. Maintenance should only be done when the grill is cool, to avoid the possibility of burns. A leak test must be performed annually, and whenever any component of the gas train is replaced.

COMBUSTION AIR ADJUSTMENT - (This must be done by a qualified gas installer.) The air shutter is factory set and should not have to be adjusted under normal conditions. However, some extreme field conditions may exist that require adjustment. When the air shutter is adjusted correctly, the flames will be dark blue with light blue tips, and occasional yellow tips.



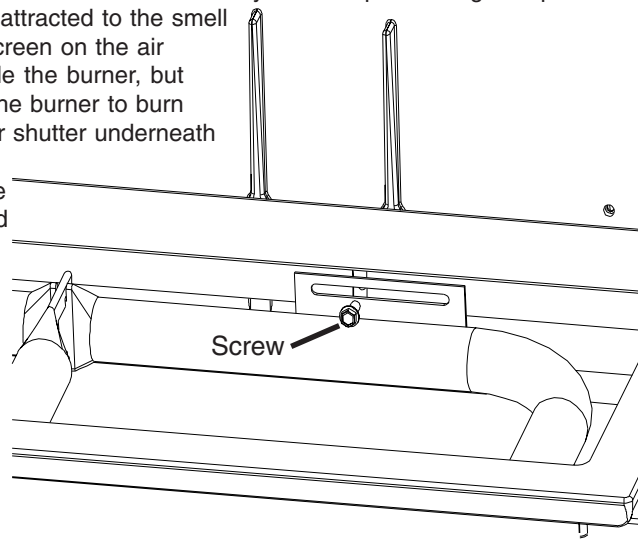
If the burner is getting too little air, the flames will be lazy yellow, and possibly produce soot. If the burner is getting too much air, the flames will be lifting erratically from the burner and may cause difficulties when lighting.

- To adjust the air shutter, remove cooking grids and sear plates and leave lid open. The back cover must be removed for back burner air shutter adjustment.
- Loosen air-shutter lock screw and open or close air shutter as required. The normal settings are:

Main Burner	Propane	1/4"	Back Burner	Propane	Full Open
	Natural	1/8"		Natural	3/8"
- Light burners and set to high. Visually inspect burner flames. When shutters are set, turn burners off, tighten locking screw, and replace removed parts. Ensure that the insect screens are installed.

HOSE - Check for abrasion, melting, cuts and cracks. If any of these conditions exist, do not use gas grill. Have part replaced by your Napoleon Gas Grill dealer, or qualified gas installer.

BURNER - The burner is made from heavy wall 304 stainless steel, but due to the extreme heat and corrosive environment, surface corrosion will occur. Use a brass wire brush to remove surface corrosion. Clean any blocked ports using an opened paper clip. Do not enlarge the burner ports. Spiders and insects are attracted to the smell of propane and natural gas. The burner is equipped with an insect screen on the air shutter, which will reduce the likelihood of insects building nests inside the burner, but does not entirely eliminate the problem. The nest or web will cause the burner to burn with a soft yellow or orange flame or cause a fire (flashback) at the air shutter underneath the control panel. To clean the inside of the burner, it must be removed from the gas grill. Remove the screw(s) located either in the center of the burner on 308 models, or above the burner to the left and right of the centre of the burner on 450 models. Lift back of burner upwards to remove. Use a flexible venturi tube cleaning brush to clean out the inside of the burner. Shake any loose debris out of the burner, through the gas inlet. Ensure that the insect screen is clean, tight, and free of any lint or other debris. Check also that the valve orifices are clean. Do not enlarge the orifices. Re-install the burner. Check that the valve enters the burner when installing. Replace burner cover and mounting screws to complete installation.



ALUMINUM CASTINGS - Clean castings periodically with warm soapy water. Aluminum will not rust, but due to high temperatures and weathering, oxidation can occur on aluminum surfaces. This will appear as white spots on the castings. To refinish the castings, clean them and sand lightly with fine sandpaper. Wipe surface to remove any residue, and paint with high temperature barbecue paint. Protect surrounding areas from over-spray. Follow curing directions found on the can.

TROUBLESHOOTING

Problem	Possible Causes	Solution
Low heat / Low flame when valve turned to high.	For propane - improper lighting procedure. For natural gas - undersized supply line. For both gases - improper preheating.	Ensure lighting procedure is followed carefully. All gas grill valves must be in the off position when the tank valve is turned on. Turn tank on slowly to allow pressure to equalize. See lighting instructions. Pipe must be sized according to installation code. Pre-heat grill with both main burners on high for 10 to 15 minutes.
Excessive flare-ups/uneven heat.	Sear plates installed incorrectly. Improper pre-heating. Excessive grease and ash build up on sear plates and in drip pan.	Ensure sear plates are installed with the holes towards the front, and the slots on the bottom. See assembly instructions. Pre-heat grill with both main burners on high for 10 to 15 minutes. Clean sear plates and drip pan regularly. Do not line pan with aluminum foil. Refer to cleaning instructions.
Burners burn with yellow flame, accompanied by the smell of gas.	Possible spider web or other debris, or improper air shutter adjustment.	Thoroughly clean burner by removing. See general maintenance instructions. Open air shutter slightly according to combustion air adjustment instructions.
Flames lift away from burner, accompanied by the smell of gas, and possibly difficulties in lighting.	Improper air shutter adjustment.	Close air shutter slightly according to combustion air adjustment instructions.

Problem	Possible Causes	Solution
Burner will not light with the igniter, but will light with a match.	Dead battery / or installed incorrectly. Loose electrode wire. Wrong replacement igniter. Improper gap at electrode tip. Lifting flames on burner.	Replace with heavy duty 'AAA' battery. Install with positive terminal up. Check that electrode wire is firmly pushed onto the terminal on the back of the igniter. One spark systems must use a one spark igniter. Ensure that the collector box is tight, and the gap between the electrode end and the collector box is between 1/8 - 3/16". The gap can be adjusted by bending the box in or out. Close air shutter slightly - see previous problem
Humming regulator.	Normal occurrence on hot days.	This is not a defect. It is caused by internal vibrations in the regulator, and does not affect the performance or safety of the gas grill. Humming regulators will not be replaced.
Burners will not crosslight each other.	Plugged ports along back of burner.	Clean burner ports. See burner maintenance instructions.
"Paint" appears to be peeling inside lid or hood.	Grease build up on inside surfaces.	This is not a defect. The finish on the lid and hood is porcelain, and will not peel. The peeling is caused by hardened grease, which dries into paint-like shards, that will flake off. Regular cleaning will prevent this. See cleaning instructions.

ORDERING REPLACEMENT PARTS

Before contacting the customer service department, check the NAC web site for more extensive cleaning, maintenance, troubleshooting and part replacement instructions at www.napoleongrills.com. Contact the factory directly for replacement parts and warranty claims. The customer service department is available between 9 AM and 5 PM (Eastern standard time) at 1-866-820-8686 or fax at 1-705-727-4282. In order to process a claim, we must be provided with the following information:

1. Model and serial number of the unit.
2. Part number and description.
3. A concise description of the problem ('broken' is not sufficient).
4. Proof of purchase (photocopy of the invoice).

In some cases the customer service representative may request to have the parts returned to the factory for inspection, before providing replacement parts. The parts must be shipped prepaid to the attention of the customer service department with the following information:

1. Model and serial number of the unit.
2. A concise description of the problem ('broken' is not sufficient).
3. Proof of purchase (photocopy of the invoice).
4. Return Authorization number - provided by the customer service representative.

Before contacting customer service, kindly note that the following items are not covered by the warranty:

- costs for transportation, brokerage or export duties
- labor costs for removal and re-installation
- costs for service calls to diagnose problems
- discoloration of stainless steel parts
- part failure due to lack of cleaning and maintenance, or use of improper cleaners (ovencleaner).

Ne tentez pas d'allumer cet appareil avant d'avoir lu la section
"INSTRUCTIONS D'ALLUMAGE" de ce manuel.

AVERTISSEMENT

Pour votre sécurité n'entrez pas et n'utilisez pas d'essence ou autres liquides et vapeurs inflammables à proximité de cet ou tout autre appareil. Une bonbonne de propane non branchée ne devrait pas être entreposée à proximité de cet ou de tout autre appareil. Si ces instructions ne sont pas suivies à la lettre, un feu ou une explosion pourraient s'ensuivre, causant des dommages à la propriété, des blessures corporelles ou des pertes de vie.

DANGER

QUE FAIRE SI VOUS DÉTECTEZ UNE ODEUR DE GAZ:

- Fermez l'alimentation principale en gaz.
- Éteignez toute flamme nue.
- Ouvrez le couvercle.
- Si l'odeur persiste, appelez immédiatement votre fournisseur de gaz ou le service des incendies.

ATTENTION

Lors du déballage et de l'assemblage, nous vous conseillons de porter des gants de travail et des lunettes de sécurité pour votre protection. Malgré tous nos efforts pour assurer que l'assemblage soit aussi sécuritaire et sans problème que possible, il se peut que les bords et les coins des pièces usinées en acier soient coupants et qu'ils causent des coupures si les pièces ne sont pas manipulées correctement.

CONSIGNES DE SÉCURITÉ

- * Ce gril à gaz n'est pas conçu pour être installé dans ou sur des véhicules récréatifs et/ou des bateaux.
- * Ce gril doit être utilisé uniquement à l'extérieur, dans un endroit bien aéré et ne doit jamais être utilisé à l'intérieur d'un bâtiment, d'un garage ou de tout autre endroit fermé.
- * Gardez les fils électriques et les tuyaux d'alimentation en gaz éloignés des surfaces chauffantes.
- * Inspectez le tuyau d'alimentation en gaz avant chaque utilisation. S'il montre des signes de fendillement excessif, d'usure ou s'il est coupé, il doit être remplacé par un ensemble de rechange spécifié par le fabricant avant d'utiliser le gril.
- * Lorsque la bonbonne de propane n'est pas débranchée du gril, la bonbonne et le gril doivent être entreposés à l'extérieur, dans un endroit bien aéré.
- * N'installez pas le gril dans un endroit venteux. Les vents forts nuiront à la performance de cuisson de votre gril.
- * Lorsque le gril n'est pas utilisé, l'alimentation en gaz doit être fermée à la bonbonne de propane ou à la soupape d'alimentation du gaz naturel.
- * Les adultes et particulièrement les enfants doivent être sensibilisés aux risques que représentent les surfaces exposées à des températures élevées. Surveillez les jeunes enfants lorsqu'ils sont près du gril.
- * Ce gril ne devra être modifié en aucun cas.
- * Lorsque le gril doit être entreposé à l'intérieur, la bonbonne de propane doit être débranchée du gril et entreposée à l'extérieur dans un endroit bien aéré, hors de la portée des enfants. Les bonbonnes de propane ne doivent en aucun temps être entreposées à l'intérieur d'un bâtiment, d'un garage ou de tout autre endroit fermé. Les appareils au gaz naturel doivent être débranchés de leur source d'alimentation en gaz lorsqu'ils sont entreposés à l'intérieur.
- * Le couvercle doit être fermé lors de la période de préchauffage du gril.
- * N'utilisez pas le plateau à condiments pour entreposer des briquets, des allumettes ou autres matériaux inflammables.
- * Ce gril à gaz est conçu pour un usage extérieur seulement.



Les grils à gaz NAPOLÉON sont fabriqués conformément aux normes strictes du Certificat d'assurance de qualité mondialement reconnues ISO 9001-2000.

Les produits NAPOLÉON sont conçus avec des composantes et des matériaux de qualité supérieure, assemblés par des artisans qualifiés qui sont fiers de leur travail. Le brûleur et le montage de la soupape subissent un test de détection de fuites et d'allumage à une station de test de qualité et sont soigneusement inspectés par un technicien qualifié avant d'être emballés et expédiés pour garantir que vous, le client, recevez le produit de qualité dont vous vous attendez de NAPOLÉON.



GARANTIE À VIE LIMITÉE DU PRÉSIDENT

NAPOLÉON garantit votre nouveau gril à gaz contre tous défauts concernant les matériaux et le procédé de fabrication tels qu'énumérés ci-après tant et aussi longtemps que vous êtes propriétaire du gril. Cette garantie couvre: la fonte d'aluminium, les brûleurs en acier inoxydable, les grilles de cuisson en acier inoxydable (en tige), les tablettes latérale en acier inoxydable, les embout en LUXIDIO^R de les tablettes latérale, les roues, les boutons de contrôle, le couvercle de porcelaine émaillée et le couvercle en acier inoxydable sous réserve des conditions suivantes. Pendant les dix premières années, NAPOLÉON remplacera gratuitement les pièces de rechange selon son choix. De la onzième année à vie, NAPOLÉON fournira les pièces de rechange à 50% du prix de détail courant.

Les composantes tels que le régulateur, roulettes, la grille-réchaud en acier inoxydable, les tuyaux et les raccords, les fixations et les accessoires sont couverts et NAPOLÉON fournira les pièces gratuitement durant la première année de la garantie limitée.

Les composantes tels que les plaques de brûleur en acier inoxydable, l'allumeur exclure les pile, la jauge de température et les soupapes de laiton sont couverts et NAPOLÉON fournira les pièces gratuitement durant les trois premières années de la garantie limitée.

NAPOLÉON n'assumera aucun frais de transport, de main-d'oeuvre ou taxes d'exportation.

CONDITIONS ET LIMITATIONS

"NAPOLÉON garantit ses produits contre tous défauts de fabrication à l'acheteur d'origine seulement (i.e. l'individu ou la personne morale (client inscrit) dont le nom apparaît sur la carte d'enregistrement de garantie déposée auprès de NAPOLÉON) à condition que l'achat ait été fait par l'entremise d'un représentant autorisé NAPOLÉON et sous réserve des conditions et limitations suivantes."

Cette garantie d'usine n'est pas transférable et ne peut être prolongée par aucun de nos représentants qu'elle qu'en soit la raison.

Le gril à gaz doit être installé par un installateur ou entrepreneur qualifié. L'installation doit être faite conformément aux instructions d'installation incluses avec le produit et à tous les codes d'incendie et de construction locaux et nationaux.

Cette garantie limitée ne couvre pas les dommages causés par un usage impropre, un manque d'entretien, feux de graisse, un environnement inadéquat, un accident, des modifications, de l'abus ou de la négligence. L'installation de pièces d'autres fabricants annulera cette garantie.

Cette garantie limitée ne couvre pas non plus les éraflures, les bosselures, la corrosion ou la décoloration causés par la chaleur ou les produits d'entretien chimiques et abrasifs ni l'écaillage des pièces de porcelaine émaillée ni les composantes utilisées dans l'installation du gril à gaz.

Dans le cas d'une détérioration des composantes causant un mauvais fonctionnement pendant la période couverte par la garantie, un remplacement part des composantes sera effectué.

Au cours de la première année seulement, cette garantie s'applique à la réparation ou au remplacement des pièces garanties dont les matériaux ou la fabrication sont défectueux à la condition que le produit ait été utilisé conformément aux instructions d'opération et dans des conditions normales.

Après la première année, selon cette Garantie à vie limitée du Président NAPOLÉON peut, à sa discrétion, se libérer complètement de toutes ses obligations en ce qui concerne cette garantie en remboursant à l'acheteur d'origine le prix de gros de toutes pièces garanties qui sont défectueuses.

NAPOLÉON ne sera pas responsable de l'installation, main-d'oeuvre ou autres coûts ou dépenses relatives à la réinstallation d'une pièce garantie car de telles dépenses ne sont pas couvertes par cette garantie.

Nonobstant toutes les dispositions contenues dans cette Garantie à vie limitée du Président, la responsabilité de NAPOLÉON sous cette garantie est définie comme ci-dessus et elle ne s'appliquera à aucun dommage accidentel, consécutif ou indirect.

Cette garantie définit les obligations et responsabilités de NAPOLÉON en ce qui concerne le gril à gaz NAPOLÉON. Tout autre garantie énoncée ou implicite en ce qui concerne ce produit, ses composantes ou accessoires est exclue.

NAPOLÉON n'endosse ni n'autorise aucun tiers à assumer en son nom, tout autre responsabilité concernant la vente de ce produit. NAPOLÉON ne se tiendra pas responsable d'une surchauffe ou d'explosions causées par des conditions environnementales tel que des vents forts ou une ventilation inappropriée.

Tous dommages causés au gril par la température, un usage abusif ou l'utilisation de produits d'entretien chimiques ou abrasifs ne seront pas la responsabilité de NAPOLÉON.

La facture ou une copie sera requise ainsi que le numéro de série et de modèle du gril lors d'une réclamation auprès de NAPOLÉON. La carte d'enregistrement doit être retournée dans les quatorze jours pour enregistrer la garantie ou enregistrer en ligne à : www.napoleongrills.com.

NAPOLÉON se réserve le droit de demander à son représentant d'inspecter tous produits ou pièces avant d'approuver les réclamations.

NAPOLÉON n'assumera aucun frais de transport, de main-d'oeuvre ou taxes d'exportation.

INFORMATION GÉNÉRALE

CE GRIL À GAZ EST CERTIFIÉ SELON LES NORMES NATIONALES CANADIENNES ET AMÉRICAINES, CAN/CGA-1.6-M95 ET AINSI Z21.58 - 1995 RESPECTIVEMENT POUR DES GRILS À GAZ POUR L'EXTÉRIEUR ET SON INSTALLATION DEVRAIT ÊTRE CONFORME AUX CODES LOCAUX. En l'absence de codes locaux, installez selon les normes courantes CAN1-B149.2 du code d'installation de Propane au Canada ou selon les normes ANSI Z223.1 du "National Fuel Gas" aux États-Unis.

Si un moteur de rôtissoire est utilisé, il doit être électriquement mis à la terre conformément aux codes locaux ou, en l'absence de tels codes, conformément à la version courante du code CSA C22.1 Code électrique canadien ou au code ANSI/NFPA 70 aux États-Unis.

N'UTILISEZ QUE L'ENSEMBLE DE RÉGULATEUR DE PRESSION ET DE TUYAU FOURNI AVEC CE GRIL. LES ENSEMBLES DE RÉGULATEUR DE PRESSION ET TUYAUX DE RECHANGE DOIVENT ÊTRE RECOMMANDÉS PAR LE FABRICANT. N'ENTREPOSEZ PAS DE BONBONNE DE PROPANE OU DE BONBONNE DE RECHANGE SUR L'ÉTAGÈRE SOUS LE GRIL.

Le régulateur fourni une pression de 11 pouces de colonne d'eau au gril. Le gril possède un raccord de type QCC1. Les bonbonnes utilisées avec ce gril doivent être munies d'une soupape Sherwood #3349 QCC1. Une soupape QCC1 possède un raccord qui empêche l'écoulement du gaz jusqu'à ce qu'un joint étanche soit obtenu. Elle est aussi équipée d'un dispositif de contrôle d'écoulement du gaz. Afin d'obtenir un débit maximal de gaz, les soupapes du gril doivent être fermées lorsque vous ouvrez la soupape de la bonbonne.

SPÉCIFICATIONS POUR LA BONBONNE DE PROPANE: Une bonbonne bosselée ou rouillée peut être dangereuse et devrait être vérifiée par votre fournisseur de propane. N'utilisez jamais une bonbonne avec une soupape endommagée. Utilisez uniquement une bonbonne de propane fabriquée et étiquetée selon les normes pour les bonbonnes de propane de la Commission canadienne des Transports ou le "US Department of Transportation (DOT)". Cet appareil a été conçu pour être utilisé avec une bonbonne de propane de 20 livres (9.1kg) uniquement (non fournie).

La bonbonne de propane doit être équipée d'une soupape d'arrêt se raccordant à une soupape de type QCC1. Une valve de sécurité doit être branchée directement sur la bonbonne. Le système d'alimentation de la bonbonne doit être installé de manière à permettre l'évacuation des vapeurs et doit avoir un collet pour protéger la soupape de la bonbonne. La bonbonne doit être munie d'un dispositif de détection de trop-plein.

PROPOSITION 65 DE LA CALIFORNIE : La combustion de gaz crée des sous-produits, parmi lesquels certains se retrouvent sur la liste de substances connues par l'état de Californie comme causant le cancer ou autres dangers pour la reproduction. Lorsque vous cuisinez avec le gaz, assurez-vous de toujours avoir une ventilation adéquate afin de minimiser l'exposition à ces substances.

QUOI FAIRE ET NE PAS FAIRE

À FAIRE

- Lire le manuel d'instructions au complet avant d'utiliser le gril.
- Respecter les dégagements recommandés des matériaux inflammables (16" à l'arrière du gril et 7" sur les côtés). Une distance plus grande est recommandée à proximité d'un recouvrement de vinyle ou d'une grande surface vitrée.
- Faire un test de fuites avant la première utilisation, annuellement et à chaque fois qu'une composante de gaz est changée.
- Suivre les instructions d'allumage à la lettre lorsque vous utilisez votre gril. Les soupapes des brûleurs doivent être fermées lorsque vous ouvrez la soupape d'alimentation en gaz.
- S'assurer que les plaques du brûleur sont bien en place selon le livre d'instructions. Les trous doivent être placés vers l'avant du gril.
- Nettoyer le tiroir d'égouttement et les plaques du brûleur régulièrement pour éviter les feux de graisse.
- Enlever la grille-réchaud avant d'allumer le brûleur arrière. (La chaleur intense pourrait l'endommager).

À NE PAS FAIRE

- Ne pas tenter d'utiliser une bonbonne qui n'est pas équipée d'un raccord de type QCC1.
- Ne pas passer le tuyau d'alimentation sous le tiroir d'égouttement afin de garder une distance raisonnable entre le tuyau et le fond du gril.
- Ne pas utiliser le plateau à condiments pour entreposer des briquets, des allumettes ou tout autre matériau inflammable.
- Ne pas placer le gril sous une construction inflammable non-protégée.
- Ne pas utiliser le brûleur arrière en même temps que le brûleur principal.
- Ne pas laisser le gril sans surveillance lorsqu'il est allumé.
- Ne pas allumer le gril avec le couvercle fermé.
- Ne pas déplacer le gril pendant qu'il fonctionne ou qu'il est chaud.
- Ne pas permettre à l'eau froide (pluie, arrosoir, boyeau d'arrosage etc) de venir en contact avec le gril chaud. Une grande différence de température pourrait causer l'éclatement de la porcelaine.
- N'utilisez pas un pulvérisateur pour nettoyer l'appareil.

INSTRUCTIONS DE BRANCHEMENT DU GAZ



RACCORD DE LA BONBONNE: Assurez-vous que le tuyau du régulateur de gaz est sans anomalie. Enlevez les bouchons sur la soupape de gaz à la bonbonne. Connectez le régulateur QCC1 sur la soupape de gaz QCC1. Serrez à la main dans le sens des aiguilles d'une montre. N'utilisez pas d'outil. Faites un test de fuites sur tous les raccords avant d'utiliser le gril. Un test de fuites doit être fait annuellement et à chaque fois qu'une bonbonne est remplacée ou qu'une pièce du système de gaz est remplacée.

INSTALLATION DE LA BONBONNE DE PROPANE: Placer la bonbonne dans le support inférieur de la bonbonne.

IMPORTANT: Le régulateur doit être fixé de façon à ce qu'aucune partie du boyau ne touche le dessous du gril ou le tiroir d'égouttement. Si vous ne suivez pas ces instructions à la lettre, un feu en résultera.

BRANCHEMENT AU GAZ NATUREL: Ce gril à gaz naturel est équipé d'un tuyau d'alimentation de 10 pieds (complet avec un système de débranchement rapide) conçu pour un branchement au gaz naturel et certifié pour une utilisation extérieure. La tuyauterie et les soupapes en amont du système de débranchement rapide ne sont pas fournies.

Le système de débranchement rapide ne doit pas être installé verticalement et une soupape d'arrêt manuelle facilement accessible doit être installée en amont, et aussi près que possible du système de débranchement rapide. Le bout évasé du tuyau doit être raccordé à l'unité comme montré. Ces raccords doivent être faits par un installateur de gaz qualifié.

RB MODÈLE: Raccordez le bout évasé du tuyau au raccord qui est au bout du tube collecteur. Resserrez avec une clé. (N'utilisez pas de scellant/enduit à tuyaux).

TEST DE DÉTECTION DE FUITES

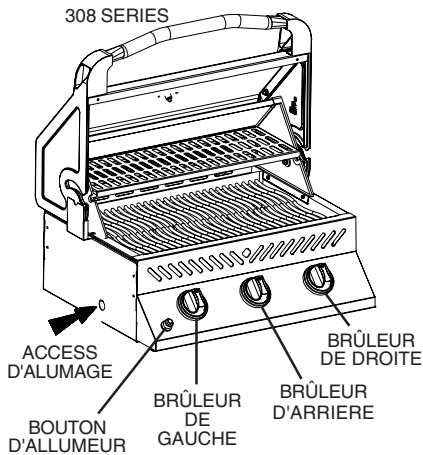


N' UTILISEZ PAS DE SOURCES DE FEU POUR VERIFIER UNE FUITES.

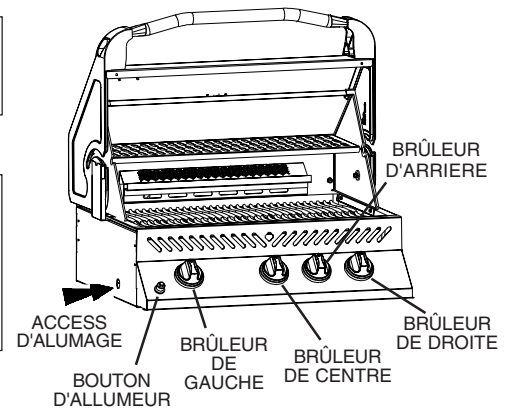
TEST DE FUITES: Il doit être fait avant la première utilisation, annuellement et à chaque fois qu'une pièce du système de gaz est remplacée ou réparée. Ne fumez pas et enlevez toutes sources d'allumage lorsque vous faites ce test. Consultez le schéma de test de fuites pour voir les endroits à tester.

- 1 - Fermez tous les boutons des brûleurs. Ouvrez la soupape de la bonbonne.
- 2 - Appliquez une solution de deux parts égales de savon liquide et d'eau sur tous les joints du régulateur, le tuyau et ses raccords.
- 3 - Des bulles indiqueront une fuite de gaz. Resserrez le joint ou remplacez la pièce avec une autre recommandée par le détaillant.
- 4 - Si la fuite ne peut être réparée, fermez l'alimentation de gaz à la bonbonne, enlevez-la et faites inspecter votre gril par votre fournisseur de gaz ou détaillant. N'utilisez pas l'appareil jusqu'à ce que la fuite soit réparée.
- 5 - Fermez la soupape de la bonbonne.

INSTRUCTION D'ALLUMAGE



450 SERIES



Ouvrez le couvercle

Fermez tous les boutons de contrôle des brûleurs, ouvrez la soupape d'alimentation en gaz lentement.

Allumage du brûleur principal.

Tournez le bouton du brûleur gauche sur "high".

Poussez et tenir la bouton d'allumeur ou allumez avec une allumette.

Si l'allumage ne se fait pas immédiatement, fermez le bouton de contrôle du brûleur et attendez 5 minutes.

Aussitôt que le brûleur de gauche est allumé sur 'high', tournez le bouton du brûleur du centre et celui et droite sur 'high'.

Allumage du brûleur arrière.

Enlevez la grille-réchaud.

Tournez le bouton de contrôle du brûleur arrière sur "high".

Poussez et tenir la bouton d'allumeur ou allumez avec une allumette.

Si l'allumage ne se fait pas immédiatement, fermez le bouton de contrôle du brûleur et attendez 5 minutes.

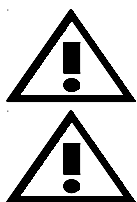
Allumage du brûleur latéral. (facultatif)

Ouvrez le couvercle du brûleur.

Tournez le bouton de contrôle du brûleur latéral sur "high".

Tournez le bouton de l'allumeur plusieurs fois ou utilisez une allumette.

Si l'allumage ne se fait pas immédiatement, fermez le bouton de contrôle du brûleur et attendez 5 minutes.



La bonbonne est équipée d'un dispositif de contrôle d'écoulement du gaz. À moins que tous les boutons des brûleurs soient fermés avant d'ouvrir la bonbonne, seules de petites flammes seront obtenues.

N'utilisez jamais le brûleur arrière avec le brûleur principal.

INSTRUCTIONS D'OPÉRATION

Lorsqu'il est allumé pour la première fois, le gril dégagera une légère odeur. Ceci est un phénomène normal et temporaire causé par l'évaporation des peintures et lubrifiants internes utilisés dans le processus de fabrication et ne se reproduira pas. Allumez simplement votre gril sur "high" pendant une demi-heure.

UTILISATION DU BRÛLEUR PRINCIPAL: Avant de cuire les aliments il est recommandé de préchauffer le gril à "high" avec le couvercle fermé pendant environ 10 minutes. Les aliments à cuisson courte (poisson, légumes) peuvent être grillés avec le couvercle ouvert. Une cuisson avec le couvercle fermé procurera des températures plus élevées et plus constantes qui réduiront la période de cuisson et cuiront la viande de façon plus égale. Les aliments qui requièrent un temps de cuisson de plus de 30 minutes, tels que les rôtis, peuvent être cuits en utilisant la méthode indirecte (avec le brûleur allumé du côté opposé à l'emplacement de la viande). Lorsque vous faites cuire des viandes très maigres, comme une poitrine de poulet ou du porc maigre, il est à conseiller de huiler les grilles de cuisson avant le préchauffage ce qui aura pour effet d'empêcher la viande de trop coller aux grilles. Le fait de cuire de la viande avec beaucoup de gras, peut causer des flambées soudaines. Il suffit alors d'enlever le gras avant la cuisson ou de réduire la température pour remédier à ce problème. En cas de flambées, éloignez les aliments de la flamme et réduisez la température. Gardez le couvercle ouvert. Pour des instructions plus détaillées, veuillez consulter le "Livres de recettes toutes saisons" de NAPOLEON.

UTILISATION DU BRÛLEUR ARRIÈRE: Enlevez la grille-réchaud avant de l'allumer. Les grilles de cuisson doivent également être enlevées si elles interfèrent avec l'utilisation de la rôtissoire. Ce gril est équipé d'un brûleur arrière de 15,000 BTU (308) / 19,000 BTU (450). Le brûleur arrière est conçu pour être utilisé avec un ensemble de rôtissoire (compris avec les brûleur arrière) disponible chez votre détaillant. Consultez les instructions de montage de l'ensemble rôtissoire pour plus de détails. Pour placer le contre-poids au bon endroit enlevez le moteur de la rôtissoire de son support. Placez la broche qui supporte la viande sur les deux supports à l'intérieur du gril. Le morceau de viande se placera naturellement avec son côté le plus pesant vers le bas. Fixez le contre-poids en place en plaçant le bras vers le haut. Vous devez ensuite glisser le poids vers le haut ou vers le bas afin de contrebalancer le poids de la viande puis serrez-le en place. Remplacez le moteur et commencez la cuisson. Placez la lèchefrite sous la viande pour récupérer le jus de cuisson qui servira pour arroser la viande et créer ainsi une délicieuse sauce naturelle. On peut également ajouter un peu d'eau si nécessaire pour favoriser l'arrosage. Afin de capturer le jus à l'intérieur de la viande, réglez le brûleur arrière à "high" jusqu'au brunissement puis, réduisez ensuite la chaleur pour une cuisson complète. Gardez le couvercle fermé pour obtenir de meilleurs résultats. Vos rôtis et volailles seront parfaitement dorés à l'extérieur tout en restant tendres et juteux à l'intérieur. Par exemple, un poulet de 3 livres sur la rôtissoire sera cuit dans approximativement 1h30 à une température entre moyenne et haute. Consultez votre "Livres de recettes toutes saisons" de NAPOLEON pour de plus amples informations.

UTILISATION DU BRÛLEUR LATÉRAL: Votre brûleur latéral peut être utilisé comme un rond de cuisinière normal pour chauffer les sauces, les soupes etc. Le gril doit être placé de manière à ce que le vent n'affecte pas l'opération du brûleur latéral car il en réduirait la performance.

NETTOYAGE

Assurez-vous que les brûleurs sont éteints avant de nettoyer. Éviter tout contact avec les surfaces chaudes. Nettoyez votre gril dans un endroit où les produits de nettoyage n'endommageront pas votre patio, terrain ou terrasse. N'utilisez pas de produit de nettoyage à fourneau pour nettoyer votre gril. La sauce BBQ et le sel sont très corrosifs et causeront une détérioration très rapide de votre gril à moins que vous ne fassiez un nettoyage régulier.

LES GRILLES DE CUISSON ET LA GRILLE-RÉCHAUD: Les grilles de cuisson et la grille-réchaud sont plus faciles à nettoyer durant la période de préchauffage en utilisant une brosse en laiton. Une laine d'acier peut être utilisée pour les taches les plus rebelles. Les grilles en acier inoxydable vont changer de couleur en permanence dû à la chaleur excessive de la surface de cuisson.

NETTOYAGE DE L'INTÉRIEUR DU GRIL: Enlevez les grilles de cuisson. Utilisez une brosse en laiton pour enlever les débris non-incrustés sur les côtés de la cuve et à l'intérieur du couvercle. Grattez les plaques de brûleur avec un couteau à mastic ou un grattoir puis utilisez une brosse en laiton pour enlever la suie. Enlevez les plaques de brûleur et nettoyez les débris sur le brûleur à l'aide de la brosse. Nettoyez tous les débris qui se trouvent à l'intérieur du gril en les faisant tomber dans le tiroir d'égouttement. Assurez-vous de replacer les plaques de brûleur dans la bonne position. (Consultez les instructions de montage si nécessaire pour un positionnement correct).

NETTOYAGE DU TIROIR D'ÉGOUTTEMENT: Sortez le tiroir d'égouttement pour en faciliter le nettoyage. Il devrait être nettoyé fréquemment (à toutes les 4 ou 5 utilisations) afin d'éviter une accumulation de graisse. La graisse et les jus tombent dans le tiroir d'égouttement qui se trouve sous la cuve du gril et coulent pour aller s'accumuler dans le récipient à graisse jetable qui se situe sous le tiroir d'égouttement. L'accumulation de graisse est un danger pour le feu. Ne tapissez jamais votre tiroir d'égouttement à l'aide de papier d'aluminium car ceci aurait pour effet de nuire au bon écoulement de la graisse. Le tiroir d'égouttement devrait être gratté à l'aide d'un couteau à mastic ou d'un grattoir en jetant les débris dans le récipient à graisse jetable. Le récipient jetable devrait être remplacé entre deux et quatre semaines selon la fréquence d'utilisation du gril. Pour vous procurer des récipients de rechange informez-vous à votre représentant NAPOLEON.

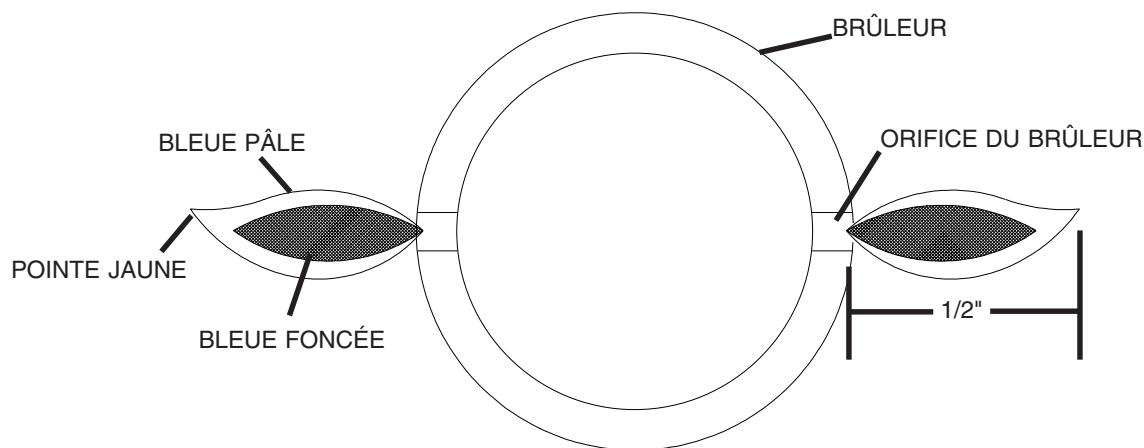
NETTOYAGE DE L'EXTÉRIEUR DU GRIL: N'utilisez pas de produits abrasifs pour nettoyer les pièces peintes, de fini porcelaine ou en acier inoxydable. Les éléments en porcelaine émaillée doivent être manipulés avec soin. Le fini émaillé étant cuit il devient comme du verre; il s'ébrêchera au moindre choc. Vous pouvez vous procurer de la peinture émaillée pour les retouches chez votre détaillant NAPOLEON. Utilisez une solution d'eau savonneuse chaude pour nettoyer l'extérieur du gril pendant qu'il est encore tiède au toucher. Pour nettoyer les surfaces en acier inoxydable utilisez un produit de nettoyage à acier inoxydable ou un produit de nettoyage tout usage sans abrasif. Frottez toujours dans le sens du grain. N'utilisez pas de laine d'acier car elle égratignerait le fini. Les pièces en acier inoxydable vont décolorer sous l'effet de la chaleur pour habituellement prendre une couleur dorée ou brune. Cette décoloration est normale et n'affectera pas la performance du gril.

INSTRUCTIONS D'ENTRETIEN

Nous vous conseillons de faire inspecter ce gril à gaz annuellement par un technicien de service qualifié.

Fermez le gaz à la source et débranchez l'appareil avant l'entretien. L'entretien devrait être effectué seulement lorsque le gril est froid pour éviter toutes possibilités de brûlure. Un test de détection de fuites devrait être effectué annuellement ou à chaque fois qu'une composante de gaz est remplacée.

AJUSTEMENT DE L'AIR DE COMBUSTION (ceci doit être effectué par un installateur qualifié): Le volet d'air est réglé à l'usine et ne devrait pas avoir besoin normalement d'être ajusté. Cependant dans des conditions exceptionnelles un ajustement peut être requis. Lorsque le volet d'air est bien ajusté, les flammes seront bleues foncées avec des pointes bleues pâles ou quelques fois jaunes.

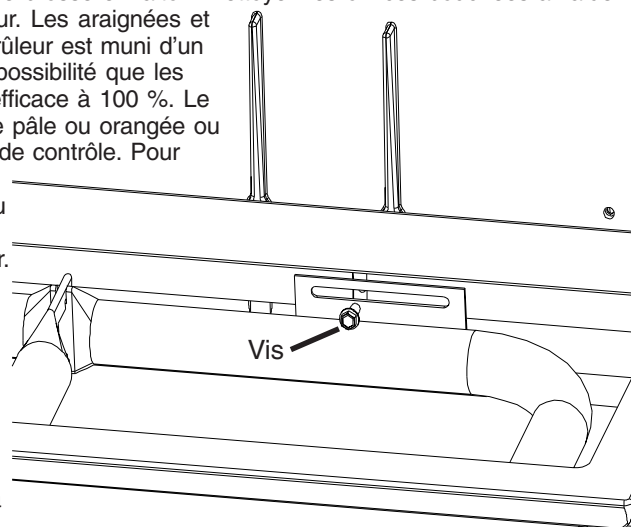


Si le brûleur ne reçoit pas assez d'air, les flammes seront jaunes pâles et produiront possiblement de la suie. Si le brûleur reçoit trop d'air, les flammes scintilleront de façon erratique et causeront possiblement des problèmes d'allumage.

1. Pour ajuster le volet d'air, enlevez les grilles de cuisson, les plaques de brûleur et laissez le couvercle ouvert. Pour ajuster le volet d'air du brûleur arrière, vous devez enlever le couvercle arrière.
2. Desserrez la vis de verrouillage du volet d'air et ouvrez ou fermez le volet d'air selon le cas. Les ajustements normaux sont:
Brûleur principal Propane 1/4" Naturel 1/8" Brûleur arrière Propane ouvert au complet Naturel 3/8"
3. Allumez les brûleurs et positionnez-les à "high". Inspectez visuellement les flammes. Lorsque les volets sont ajustés, éteignez les brûleurs, serrez la vis de verrouillage et remplacez les pièces qui avaient été enlevées. Assurez-vous que les petits grillages contre les insectes sont installés.

BOYAU - Vérifiez l'usure, coupures, craquelures ou s'il est fondu. Si vous découvrez une de ces défauts, n'utilisez pas votre gril. Faites remplacer la pièce par votre détaillant NAPOLEON ou par un installateur qualifié.

BRÛLEUR - Le brûleur est fait d'acier inoxydable 304, mais en raison de la chaleur extrême et d'un environnement corrosif, il se produira une corrosion de surface. Enlevez cette corrosion à l'aide d'une brosse en laiton. Nettoyez les orifices bouchés à l'aide d'un trombone déplié. N'agrandissez surtout pas les orifices du brûleur. Les araignées et les insectes sont attirés par l'odeur du propane et du gaz naturel. Le brûleur est muni d'un grillage contre les insectes qui protège le volet d'air réduisant ainsi la possibilité que les insectes se construisent des nids dans le brûleur mais ceci n'est pas efficace à 100 %. Le nid ou la toile d'araignée fera que le brûleur produira une flamme jaune pâle ou orangée ou causera des "ratés" de feu au niveau des volets d'air sous le panneau de contrôle. Pour nettoyer l'intérieur du brûleur vous devez le détacher du grill. Retirez les vis qui se trouvent au-dessus de l'arrière du brûleur, de chaque côté du centre. Soulevez l'arrière du brûleur vers le haut pour le retirer. Utilisez une brosse flexible de tube de venturi pour nettoyer l'intérieur du brûleur. Faites sortir tous les débris qui se trouvent à l'intérieur du brûleur en le brossant. Assurez-vous que le grillage est propre, serré et libre de tous débris ou déchets. Vérifiez également que les orifices de la soupape sont propres. N'agrandissez surtout pas les orifices. Réinstallez le brûleur. Assurez-vous que la soupape pénètre le brûleur lors de la réinstallation. Remplacez le couvre-brûleur et la vis centrale afin de terminer l'installation.



MOULAGES EN ALUMINIUM - Nettoyez les moulages périodiquement à l'aide d'une solution d'eau savonneuse chaude. L'aluminium ne rouillera pas mais dû aux chaleurs élevées et aux effets climatiques, une oxydation se produira sur les surfaces d'aluminium. Ceci apparaîtra comme des taches blanches sur les moulages. Pour réparer le fini des moulages, sablez-les à l'aide d'un papier émeri fin. Essuyez la surface et peignez avec de la peinture à grill haute température. Protégez les alentours des vapeurs de peinture. Suivez les directives de séchage inscrites sur la bonbonne de peinture.

GUIDE DE DÉPANNAGE

Problème	Causes Probables	Solution
Chaleur faible / Flamme petite lorsque le bouton de contrôle est sur "high".	<p>Pour le propane - procédure d'allumage incorrect.</p> <p>Pour le gaz naturel - tuyau d'arrivée du gaz trop petit.</p> <p>Pour les deux sortes de gaz - mauvais préchauffage</p>	<p>Assurez-vous que la procédure d'allumage est suivie à la lettre. Tous les boutons de contrôle du grill doivent être fermés lorsque vous ouvrez la soupape d'arrivée de gaz à la bonbonne ce qui devrait être fait lentement pour assurer l'équilibre de la pression. Voir les instructions d'allumage.</p> <p>Grosseur du tuyau doit être selon le code d'installation.</p> <p>Préchauffez le grill à l'aide des brûleurs principaux en les plaçant à "high" pendant 10 à 15 minutes.</p>
Flambée excessive / Chaleur inégale.	<p>Plaques de brûleur mal installées.</p> <p>Mauvais préchauffage</p> <p>Amas excessif de graisse et de cendres sur les plaques de brûleur et dans le tiroir d'égouttement.</p>	<p>Assurez-vous que les plaques sont installées avec les trous vers l'avant et les fentes en dessous. Voir les instructions du montage.</p> <p>Préchauffez le grill à l'aide des deux brûleurs principaux pendant 10 à 15 minutes.</p> <p>Nettoyez les plaques de brûleur et le tiroir d'égouttement régulièrement. Ne tapissez pas le tiroir d'égouttement avec du papier d'aluminium. Consultez les instructions de nettoyage.</p>
Les flammes produites par les brûleurs sont jaunes et vous détectez une odeur de gaz.	Possibilité de toiles d'araignée, d'autres débris ou d'un mauvais ajustement des volets d'air.	Enlevez le brûleur et nettoyez-le complètement. Consultez les instructions d'entretien. Ouvrez les volets d'air un peu tout en suivant les règles.

Problème	Causes Probables	Solution
Les flammes se détachent du brûleur, accompagnées d'une odeur de gaz et possiblement une difficulté d'allumage.	Mauvais ajustement des volets d'air.	Fermez légèrement les volets d'air selon les instructions d'ajustement des volets d'air.
Le brûleur ne s'allume pas avec l'allumeur mais s'allume avec une allumette.	La pile est déchargée ou installée incorrectement. Fil de l'électrode lâche. Mauvais allumeur de rechange. Mauvais écart du bout de l'électrode. Les flammes se séparent du brûleur.	Remplacez avec des piles AAA à grande capacité. Installez la pile avec la borne positive (+) vers le haut. Assurez-vous que le fil de l'électrode soit poussé bien au fond sur le terminal derrière l'allumeur. Le système à 1 étincelle ne fonctionnera qu'avec un allumeur de ce type. Assurez-vous que la boîte de connection est bien fixée et que la distance entre l'électrode et celle-ci est entre 1/8" et 3/16". La distance peut être ajustée en poussant la boîte vers l'extérieur. Fermez le volet d'air légèrement - voir le problème précédent.
Le régulateur murmure.	Problème normal en temps chaud.	Ceci n'est pas un défaut. Il est causé par une vibration à l'intérieur du régulateur et n'affecte en rien la performance et la sécurité du gril à gaz.
Les brûleurs ne s'allument pas les uns aux autres.	Les orifices sont bouchées à l'arrière du brûleur.	Nettoyez les orifices du brûleur. Consultez les instructions d'entretien.
La peinture semble peler à l'intérieur du couvercle.	Accumulation de graisse sur les surfaces internes.	Ceci n'est pas un défaut. Le fini du couvercle est porcelainisé et ne pèlera pas. Le pelage est causé par la graisse qui durci et sèche comme des éclats de peinture qui pèlent. Un nettoyage régulier préviendra ce problème. Consultez les instructions de nettoyage.

COMMANDE DES PIÈCES DE RECHANGE

Avant de contacter le bureau de service du clientele, veuillez prendre note, que notre guide de dépanage est maintenant dispoible sur le net a www.napoleongrills.com. Ici, vous trouver beaucoup d'information comme les instructions de d'opération et de nettoyage et comment remplacer les pièces. Contactez le manufacturier directement pour obtenir des pièces de rechanges et faire des réclamations sur garantie. Le département de service est à votre disposition entre 9 AM et 5 PM (heure normale de l'est) au 1-866-820-8686 ou fax au 1-705-727-4282. Pour qu'une réclamation soit traitée, l'information suivante est nécessaire :

1. Modèle et numéro de série de l'appareil.
2. Numéro de la pièce et description.
3. Une description concise du problème («cassé» n'est pas suffisant).
4. Preuve d'achat (copie de la facture).
5. Avoir en main votre Visa ou Mastercard pour payer les frais d'expédition.

Dans quelques cas, le département du service peut demander de leur retourner la pièce pour des fins d'inspection avant de fournir une pièce de rechange. Les pièces doivent être expédiées port payé à l'attention du département de service avec l'information suivante :

1. Modèle et numéro de série de l'appareil.
2. Une description concise du problème («cassé» n'est pas suffisant).
3. Preuve d'achat (copie de la facture).
4. Un numéro l'autorisation de retour - fourni par le représentant du département de service.

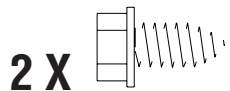
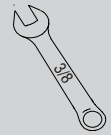
Avant de contacter le département de service, veuillez prendre note que les items suivants ne sont par couverts par la garantie :

- coûts de transport, bris et frais d'exportation
- main-d'oeuvre pour l'enlèvement et l'installation de la pièce
- coûts des appels de service pour diagnostiquer le problème
- décoloration des pièces en acier inoxydable
- bris des pièces suite à un manque d'entretien ou de maintenance, ou utilisation de nettoyeurs non appropriés (nettoyeur à fourneau)

STAINLESS STEEL PARTS MAY HAVE A PROTECTIVE PLASTIC COATING, REQUIRED FOR THE MANUFACTURING PROCESS. PLEASE REMOVE THIS COATING BEFORE OPERATING THE UNIT.

LES PIÈCES EN ACIER INOXYDABLE PEUVENT ÊTRE RECOUVERTES D'UNE PELLICULE DE PROTECTION, NÉCESSAIRE DURANT LE PROCÉDÉ DE FABRICATION. VOUS DEVEZ ENLEVER CETTE PELLICULE AVANT DE FAIRE FONCTIONNER L'APPAREIL.

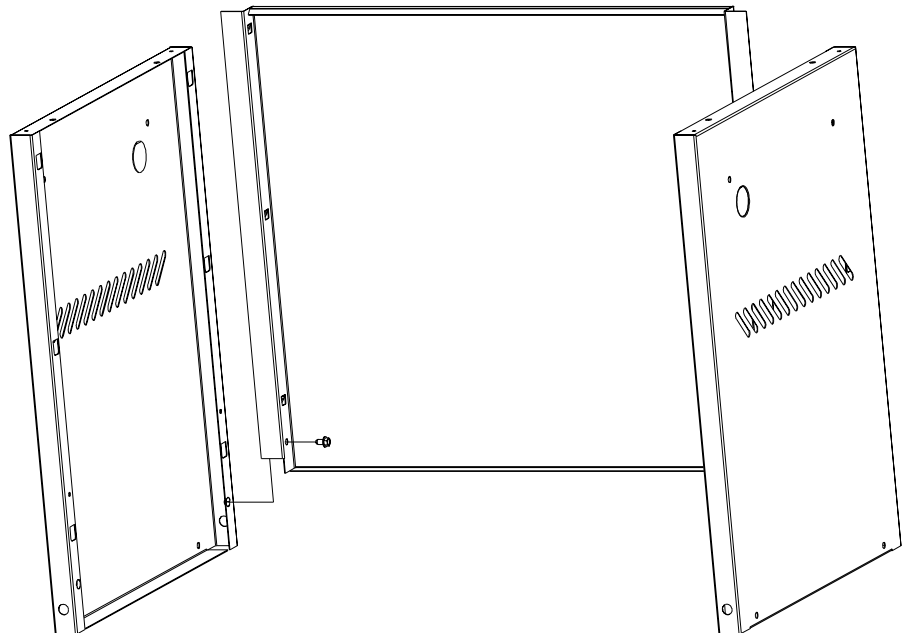
1.



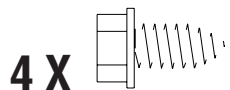
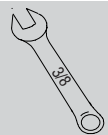
N570-0026 (#14 X 1/2")

IF NECESSARY, THE CENTRE PANEL CAN BE TAPPED DOWN WITH A RUBBER Mallet.

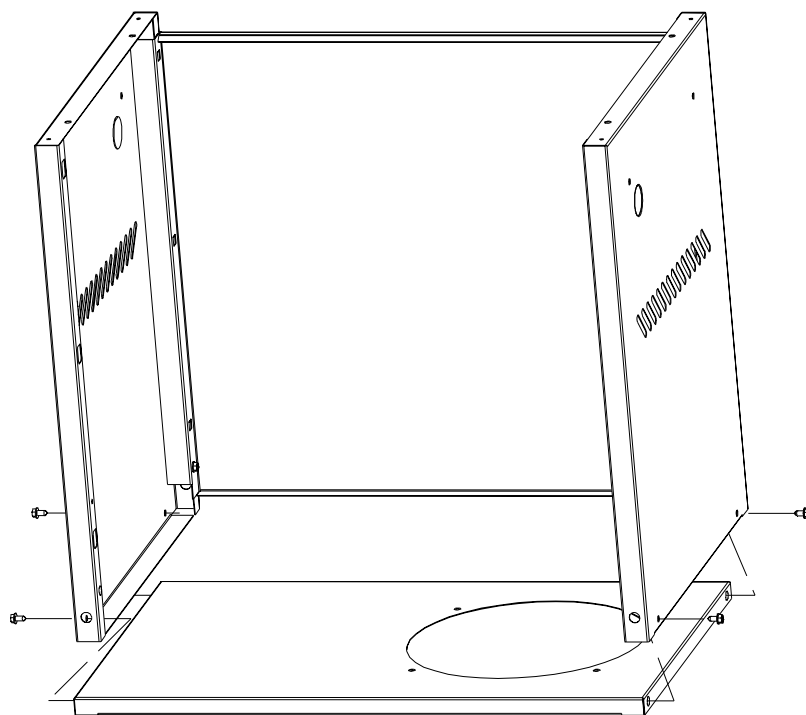
SI NÉCESSAIRE, LE PANNEAU CENTRAL PEUT ÊTRE ENFONCÉ AVEC UN MAILLET EN CAOUTCHOUC.



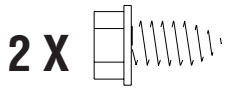
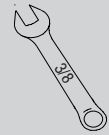
2.



N570-0026 (#14 X 1/2")



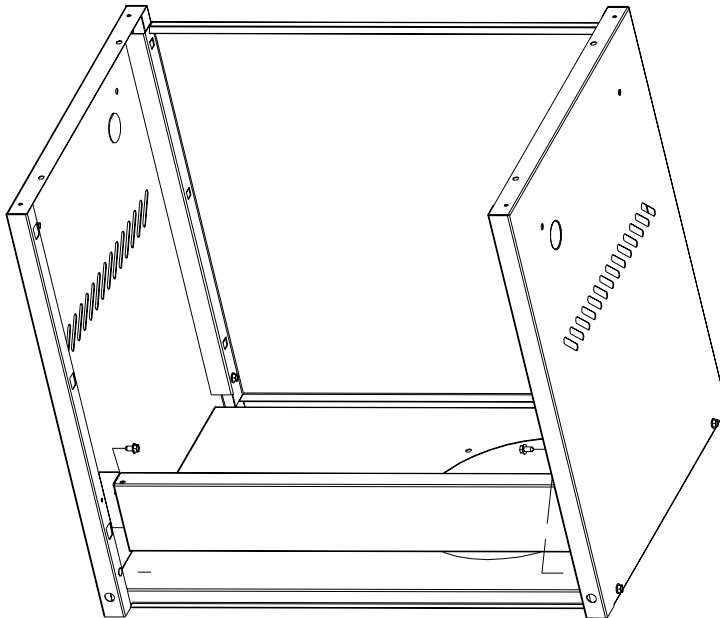
3.



2 X
N570-0026 (#14 X 1/2")

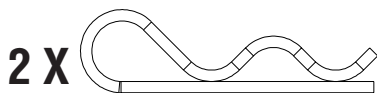
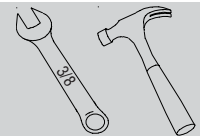
IF NECESSARY, THE
CROSS BEAM CAN BE
TAPPED DOWN WITH A
RUBBER MALLET.

SI NÉCESSAIRE, LE BARRE
DE TRAVERSE PEUT ÊTRE
ENFONCÉ AVEC UN
MAILLET EN
CAOUTCHOUC.

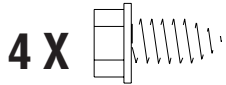


4.

308 ONLY
308 SEULEMENT



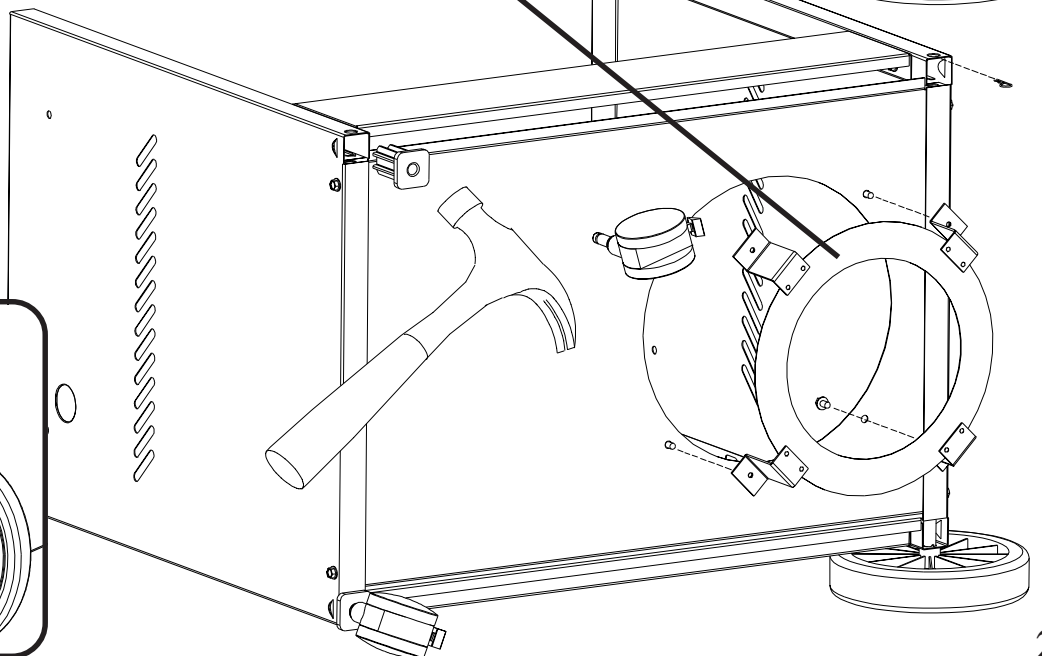
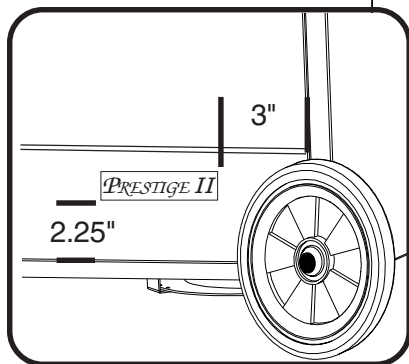
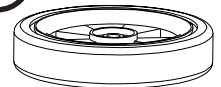
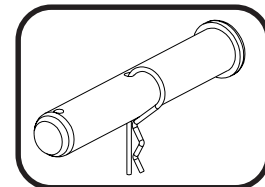
2 X
N485-0012



4 X
N570-0026 (#14 X 1/2")

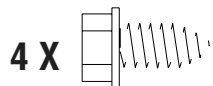
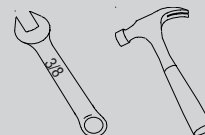


PROPANE ONLY
PROPANE SEULEMENT

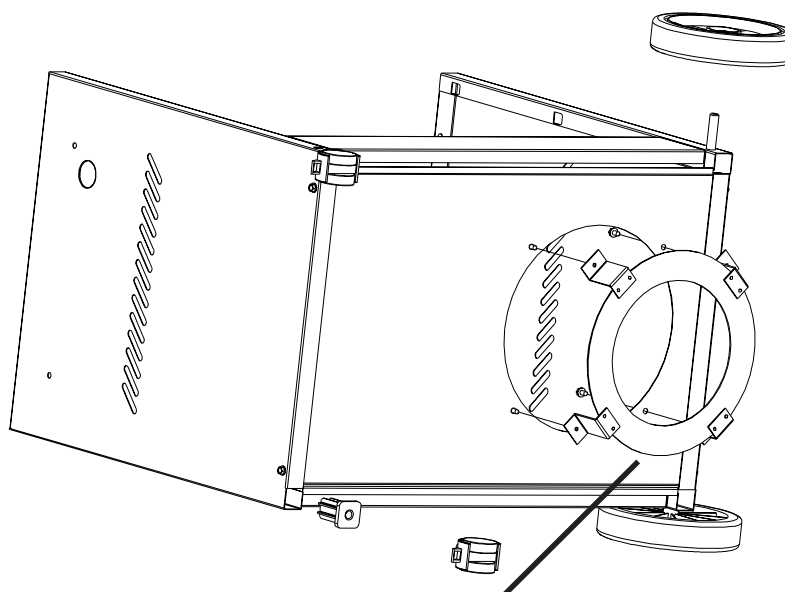
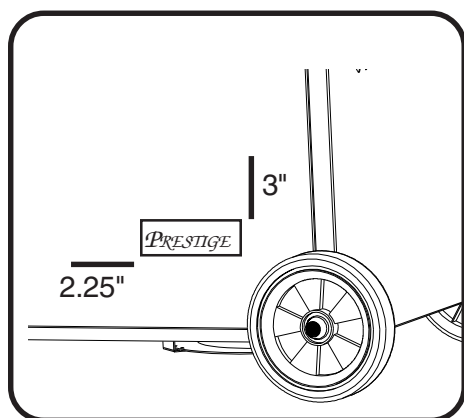
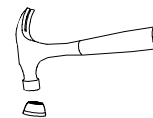


5.

450 ONLY
450 SEULEMENT



N570-0026 (#14 X 1/2")



PROPANE ONLY
PROPANE SEULEMENT

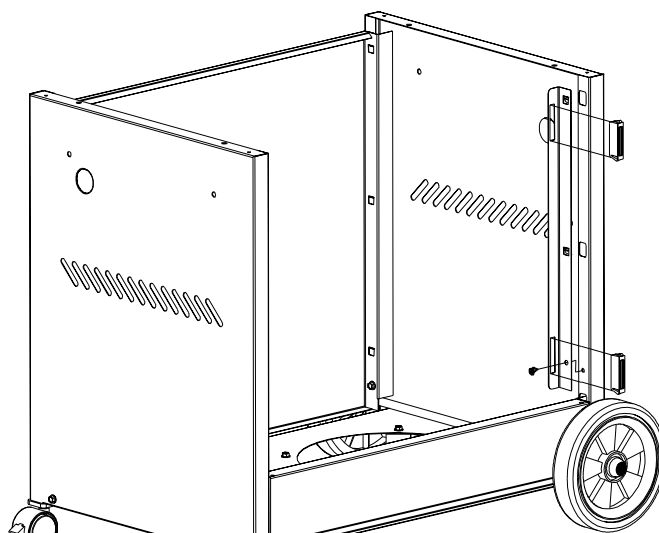
6.



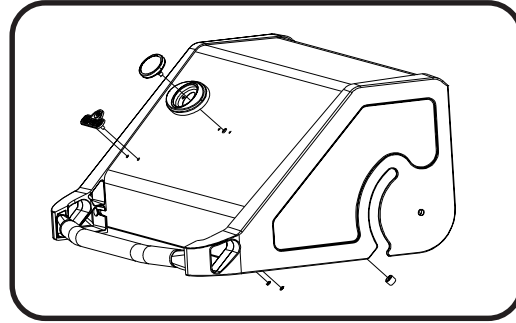
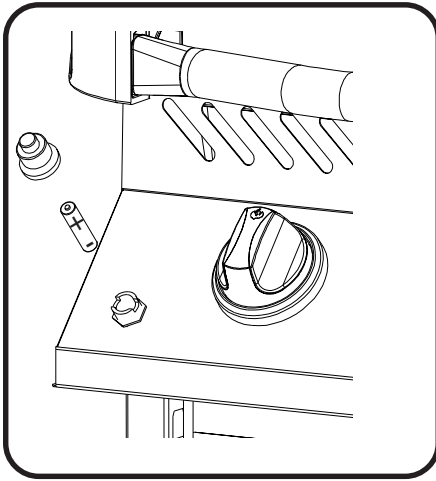
N485-0009

IF NECESSARY, THE MAGNET BRACKET CAN BE TAPPED DOWN WITH A RUBBER Mallet.

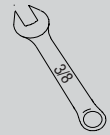
SI NÉCESSAIRE, LE SUPPORT À AIMANT PEUT ÊTRE ENFONCÉ AVEC UN MAILLET EN CAOUTCHOUC.

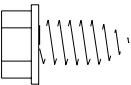


7.

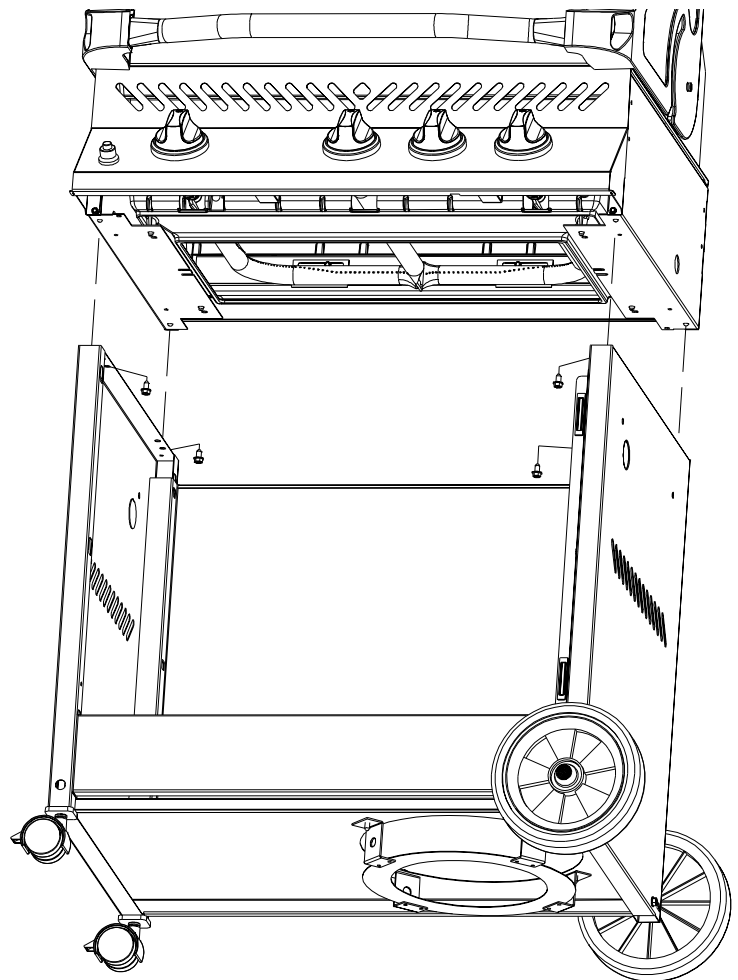


8.

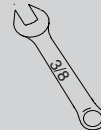


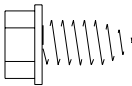
4 X 
N570-0026 (#14 X 1/2")

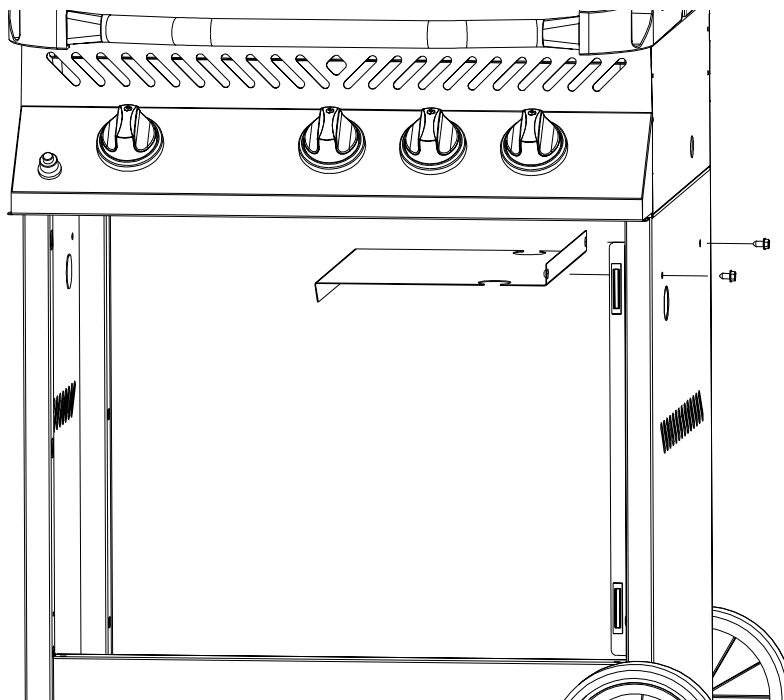
**TWO PEOPLE
ARE REQUIRED
FOR THIS STEP.
DEUX
PERSONNES
SON
NÉCESSAIRES
POUR CETTE
ÉTAPE.**



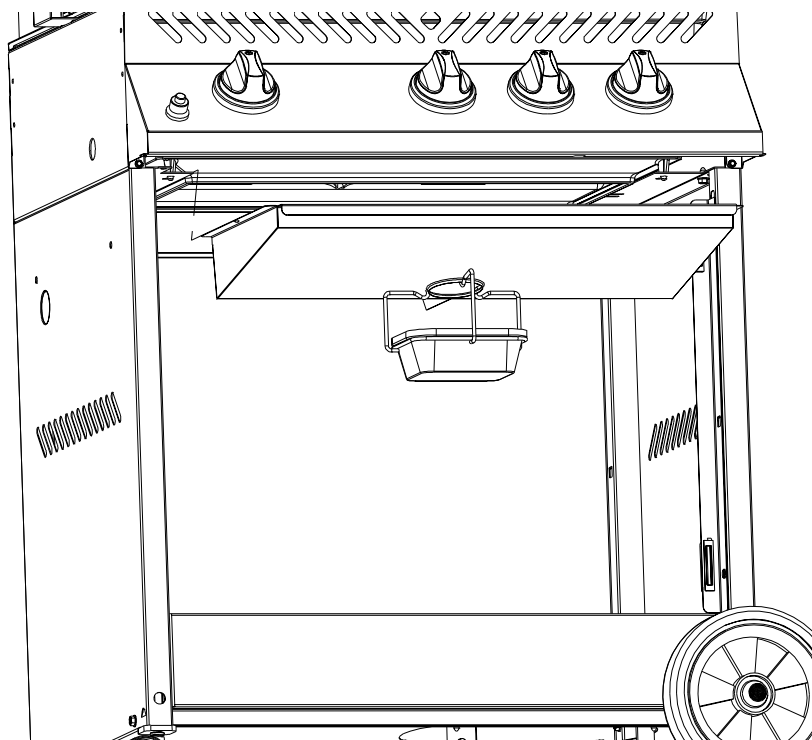
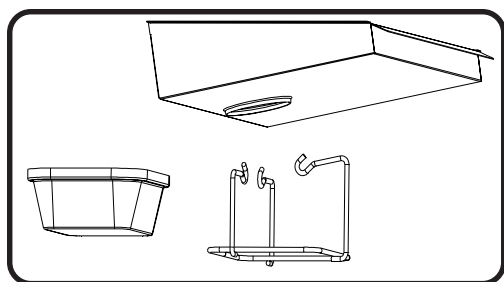
**9. PROPANE ONLY
PROPANE SEULEMENT**



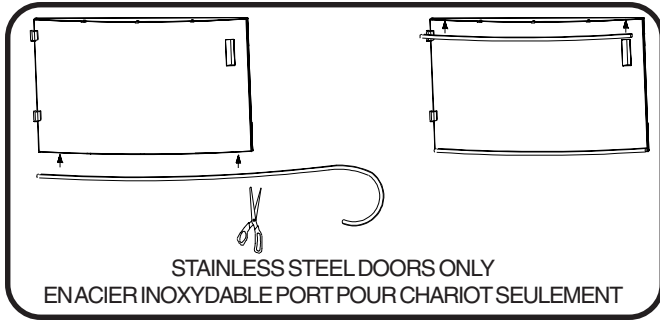
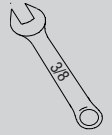
2 X 
N570-0026 (#14 X 1/2")



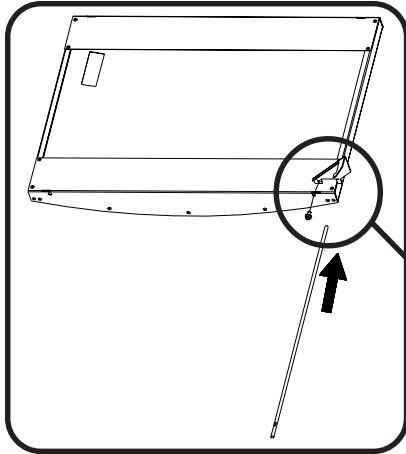
10.



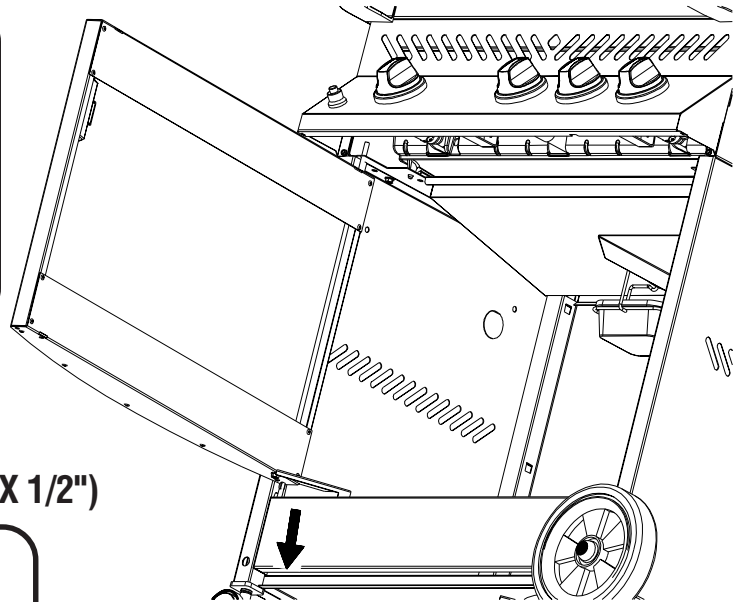
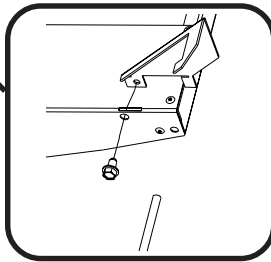
11.



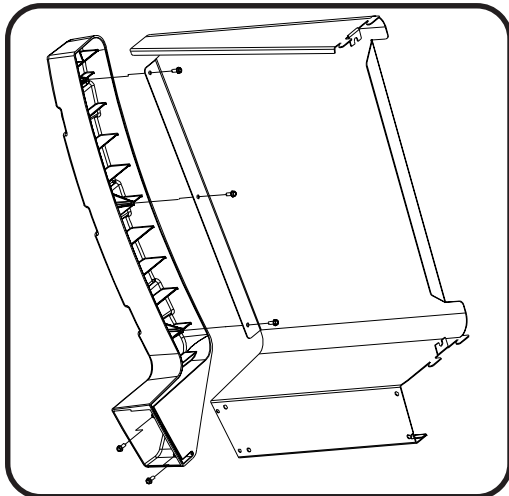
STAINLESS STEEL DOORS ONLY
ENACIER INOXYDABLE PORT POUR CHARIOT SEULEMENT



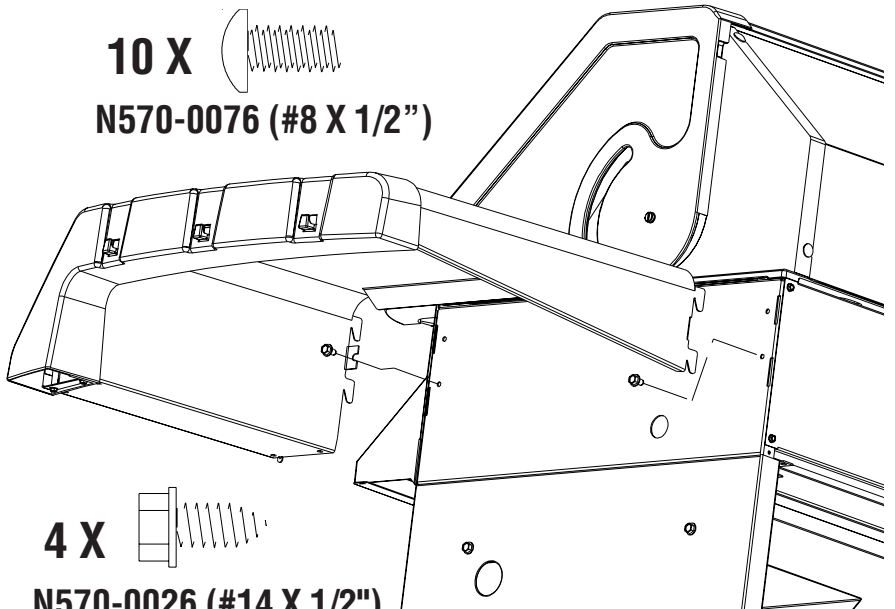
1 X
N570-0026 (#14 X 1/2")



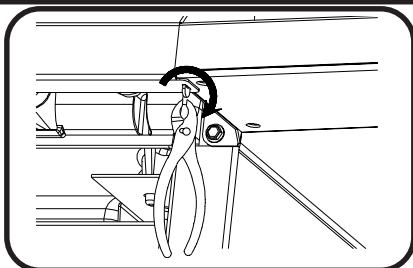
12.

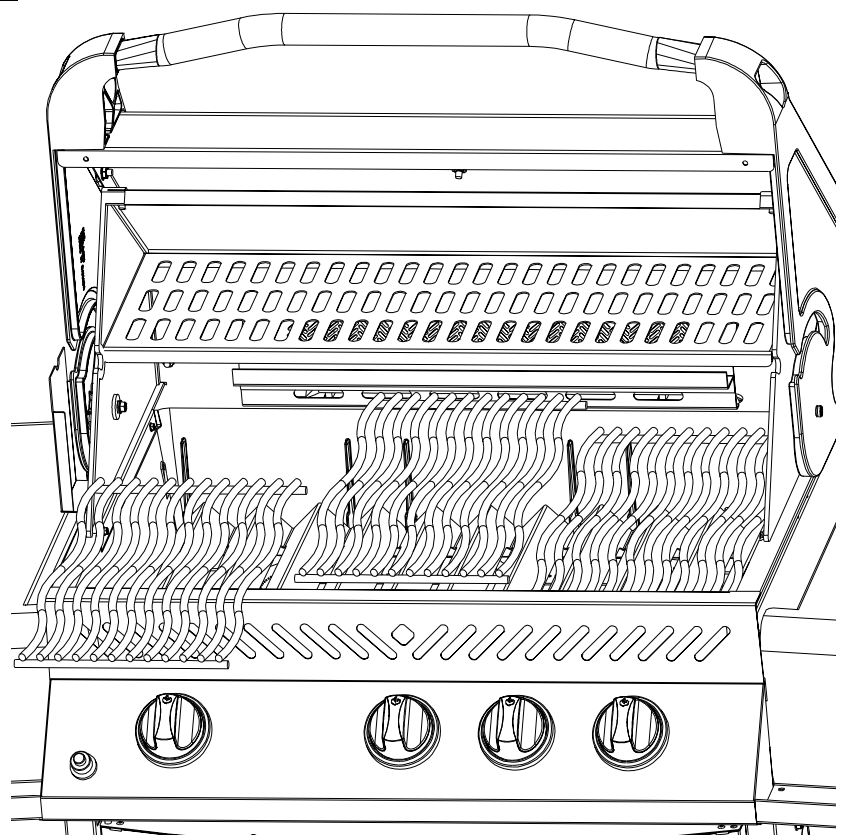
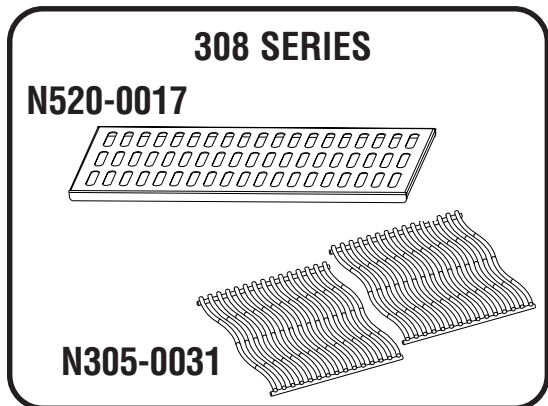
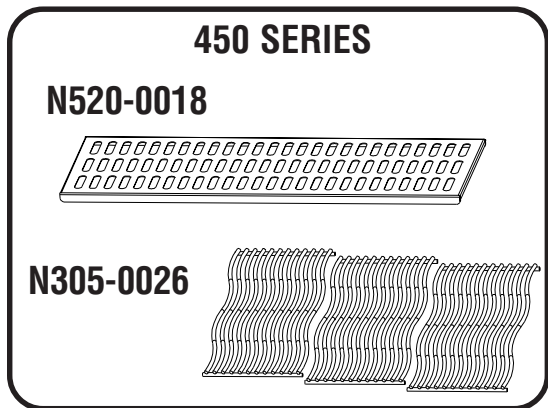
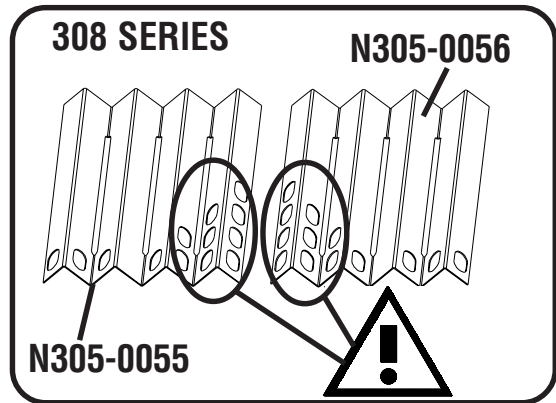
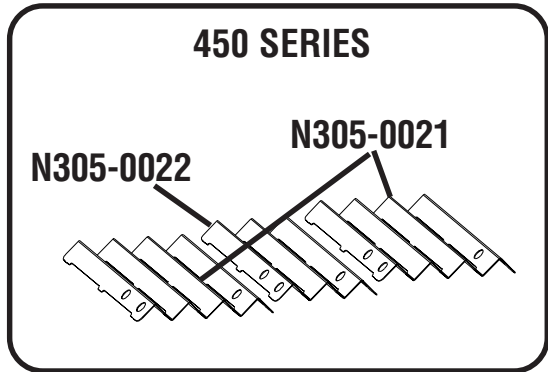
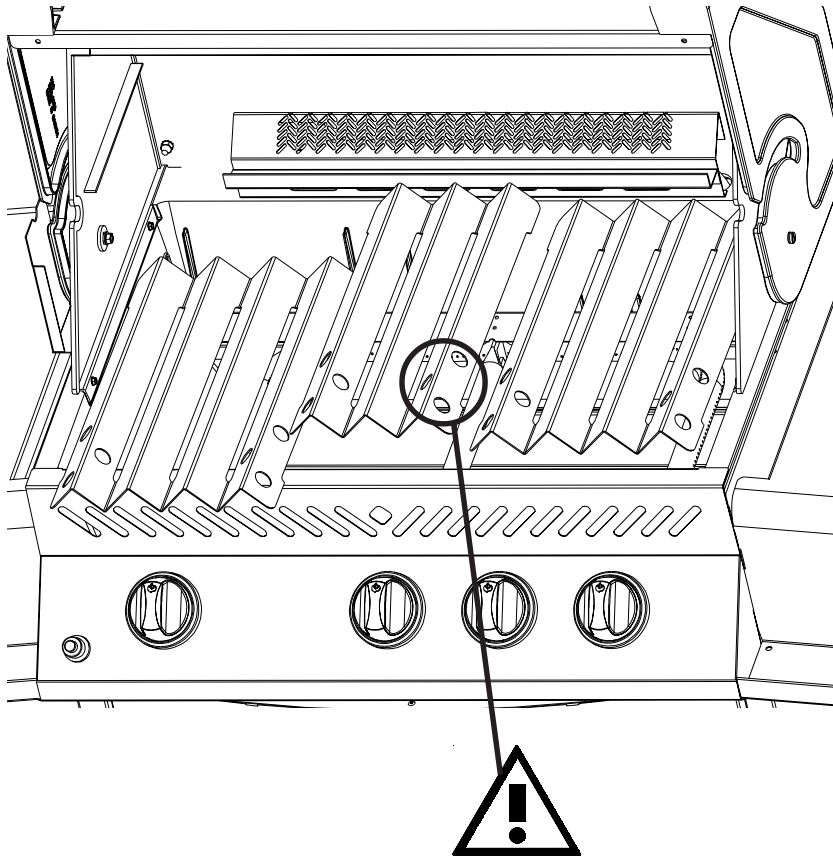


10 X
N570-0076 (#8 X 1/2")

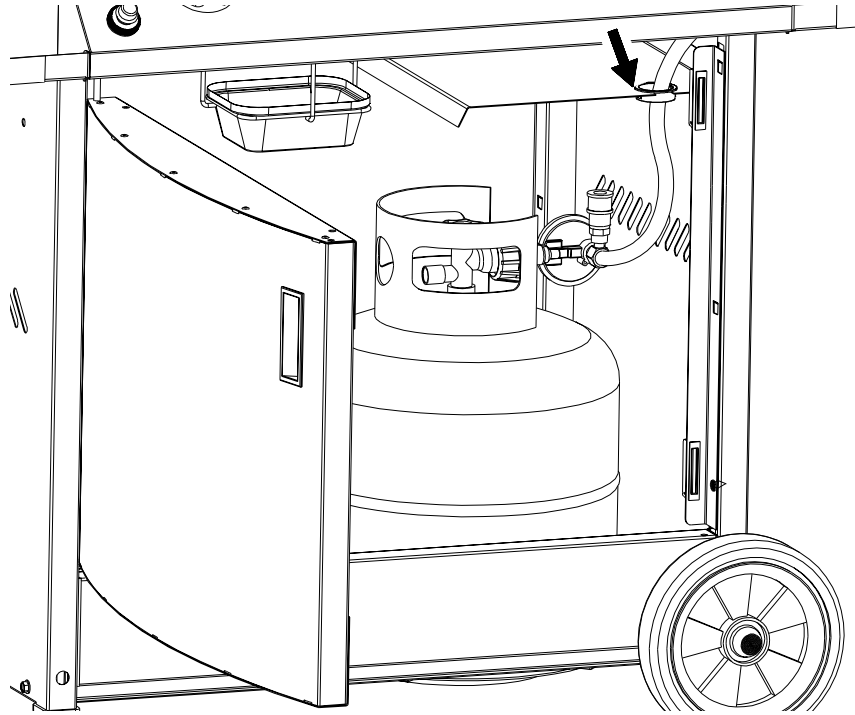


4 X
N570-0026 (#14 X 1/2")

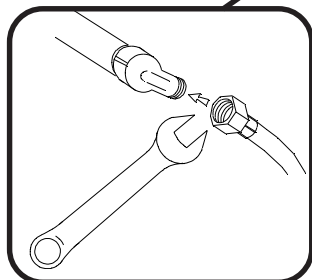
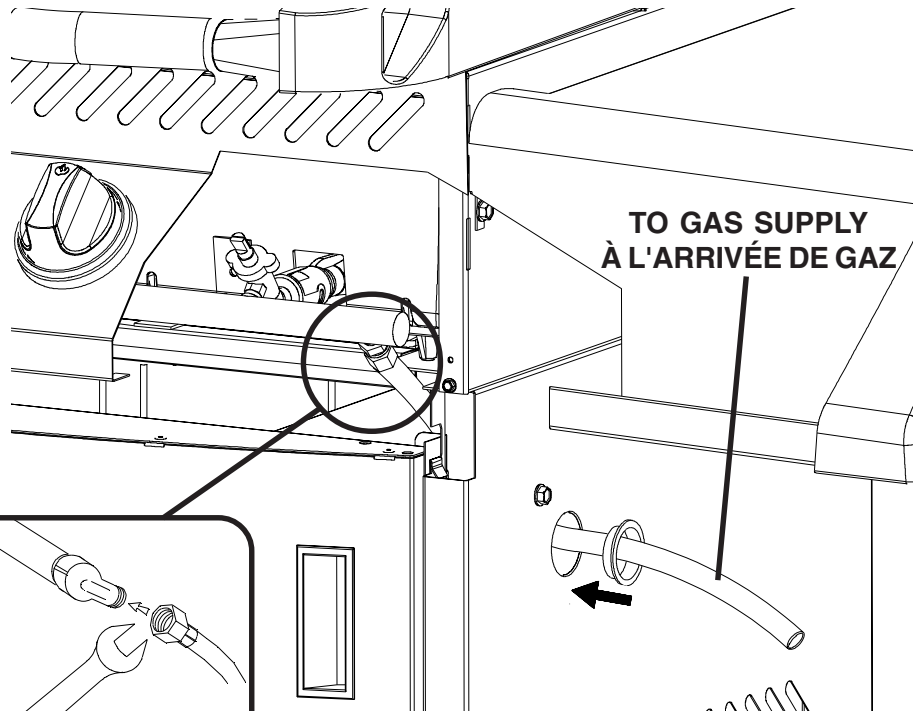
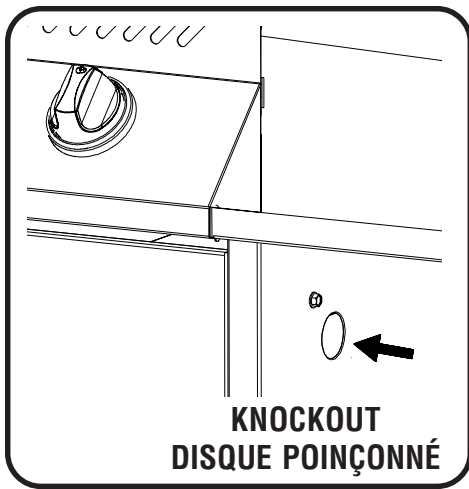
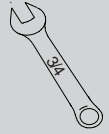




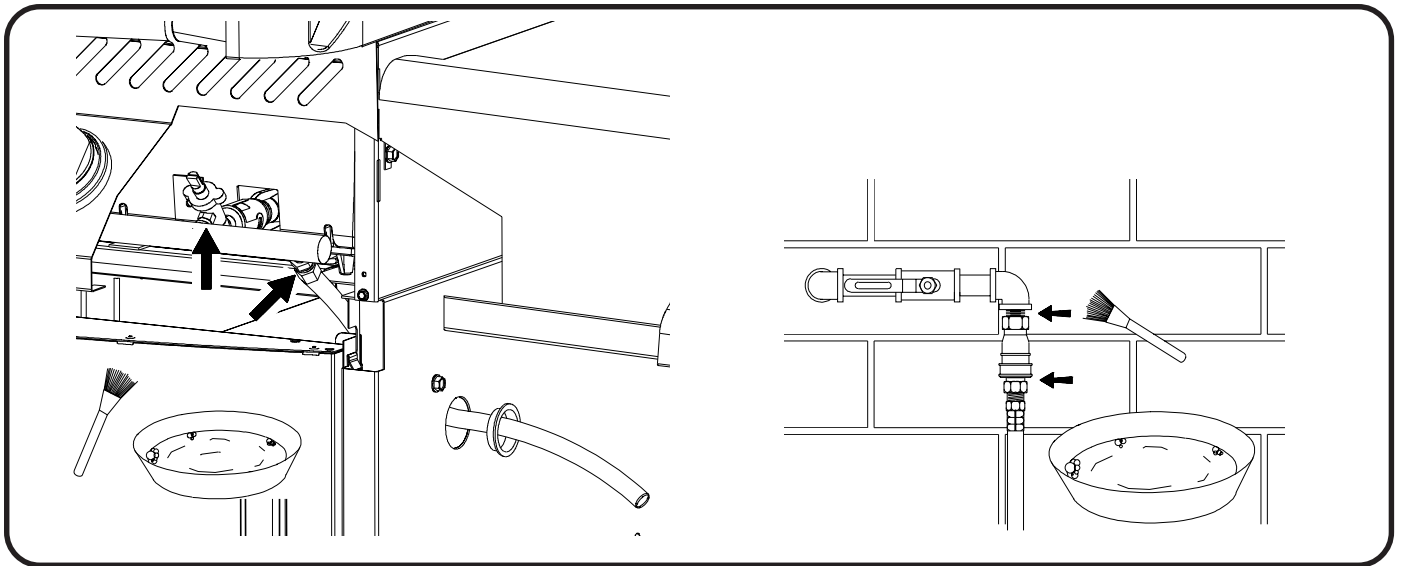
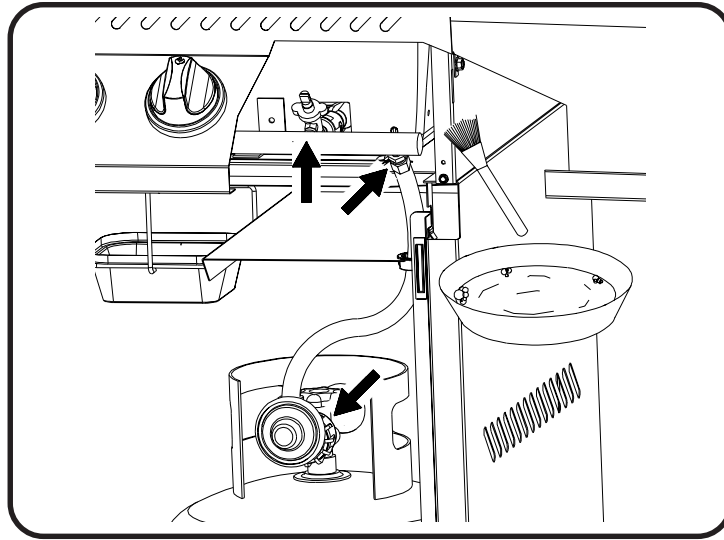
13.



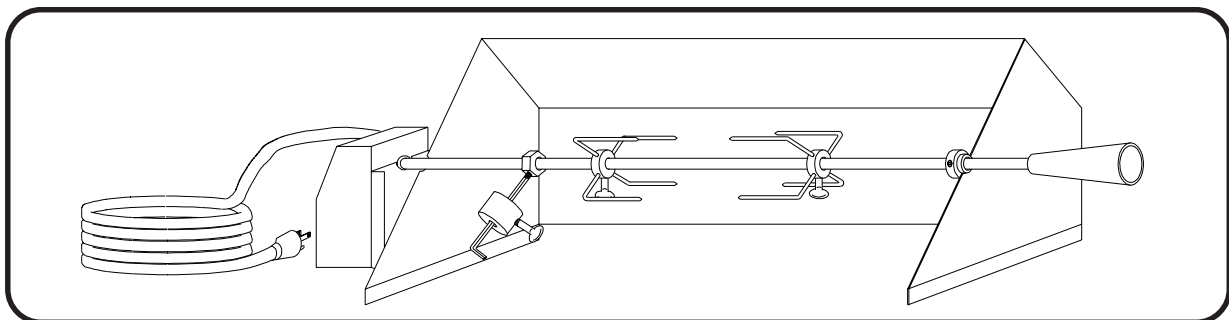
14.



15.



16.



ITEM	308 PART #	450 PART #	DESCRIPTION	
1	n135-0018p	n135-0020p	left side lid casting / moulage gauche du couvercle	x
2	n385-0129	n385-0129	NAPOLEON logo/ logo NAPOLEON	x
	w 450-0005	w 450-0005	logo spring clips / écrous à ressort pour logo	x
	n510-0002	n510-0002	black silicone lid bumper / pare-chocs du couvercle (silicone noir)	x
3a	n335-0018k	n335-0021k	black lid insert / couvercle noir	x
3b	-	n335-0021b	blue lid insert / couvercle bleu	x
3d	n010-0480	n010-0435	stainless steel lid insert / couvercle en acier inoxydable	x
4	n685-0003	n685-0003	temperature gauge / jauge de température	x
4A	n051-0002	n051-0002	temperature gauge bezel / monture de mesure de la température	x
5	n135-0019p	n135-0021p	right side lid casting / moulage droite du couvercle	x
6	n325-0025	n325-0026	lid handle / poignée du couvercle	x
7	n135-0012p	n135-0015p	left side hood casting / moulage gauche du couvercle	x
8	n335-0017k	n335-0020k	hood insert / couvercle	x
9	n135-0013p	n135-0016p	right side hood casting / moulage droite du couvercle	x
10	n570-0015	n570-0015	lid pivot screw / vis du pivot	x
11	n570-0008	n570-0008	#8 x 1/2" screw / vis #8 x 1/2"	x
12	n735-0002	n735-0002	1/4" lock w washer / rondelle à ressort 1/4"	x
13	n570-0024	n570-0024	1/4-20 x 1/2" screw / vis 1/4-20 x 1/2"	x
14	n520-0017	n520-0018	w arming rack / grille-rechaud	x
15	n350-0025	n010-0229	back burner housing (infra-red) / boîtier du brûleur arrière (infra-red)	x
16	n100-0003	n100-0003	back burner / brûleur arrière	x
17	n305-0031	n305-0026	cooking grids - w ave stainless rod / grille de cuisson (en acier inoxydable)	x
18	n305-0055/56	n305-0021	left/right sear plate / plaque de brûleur gauche/droite	x
19	-	n305-0022	centre sear plate / plaque de brûleur centre	x
20	n590-0137	n590-0139	stainless steel side shelf, right / tablette latérale en acier inoxydable, droite	x
21	n120-0005	n120-0007	LUXIDIO side shelf end cap, right / embout en LUXIDIO de le tablette latérale droite	x
22	n570-0076	n570-0076	#8 x 1/2" screw / vis #8 x 1/2"	x
23	n590-0136	n590-0138	stainless steel side shelf, left / tablette latérale en acier inoxydable, gauche	x
24	n120-0004	n120-0006	LUXIDIO side shelf end cap, left / embout en LUXIDIO de le tablette latérale gauche	x
25	n200-0026	n200-0028	burner grease shield / plaque de brûleur	x
26	n475-0053	n475-0056	rotisserie mount / support de la rôtisserie	x
27	n570-0039	n570-0039	#10 x 3/4" screw / vis #10 x 3/4"	x
28	-	n100-0010	main burner, centre / brûleur principal, centre	x
29	n570-0021	n570-0021	#8 x 1" screw / vis #8 x 1"	x
30	n100-0005	n100-0009	main burner, left/right / brûleur principal, gauche/droite	x
31	n135-0011p	n135-0014p	base casting / cuve	x
32	n080-0136p	n080-0132p	bracket, unit mounting / support de fixation de l'appareil	x
33	n200-0064p	n200-0063p	back cover / couvercle arrière	x
	n385-0121	n385-0122	rating plate / plaque d'homologation	x
34	n475-0135	n475-0131	control panel / panneau de contrôle	x
35	n710-0037	n710-0038	drip pan / tiroir d'égouttement	x
36	n160-0006p	n160-0006p	grease tray holder / support du récipient à graisse	x
37	62007	62007	replacement grease trays (5 pieces) / ensemble de 5 récipients à graisse	ac
38	n530-0014	n530-0014	1-outlet regulator / tuyau de régulateur à 1 sortie	p
	n345-0001	n345-0001	10ft n/g hose w/quick disconnect / tuyau de 10 pieds avec débranchement rapide	n
39a	n010-0207l	n010-0218l	manifold assembly / ensemble du collecteur	p
39b	n010-0208l	n010-0219l	manifold assembly / ensemble du collecteur	n
40	n380-0009	n380-0009	burner control knob / bouton de contrôle	x
41	n357-0014	n357-0014	electronic ignition / allumeur électronique	x
42	n475-0163p	n475-0205p	left/right cart enclosure panel / panneau pour chariot gauche/droite	x
43	n570-0026	n570-0026	#14 x 1/2" screw / vis #14 x 1/2"	x
44	n510-0006	n510-0006	caster plug - each / prise de roulette (unité)	x
45	n475-0133p	n475-0129p	rear cart enclosure panel / panneau arrière pour chariot	x
46a	n590-0108p	n590-0155p	bottom shelf / tablettes inférieur	p
46b	n590-0114p	n590-0154p	bottom shelf / tablettes inférieur	n
47	n525-0007p	n525-0006p	rear beam / barre de traverse arrière	x

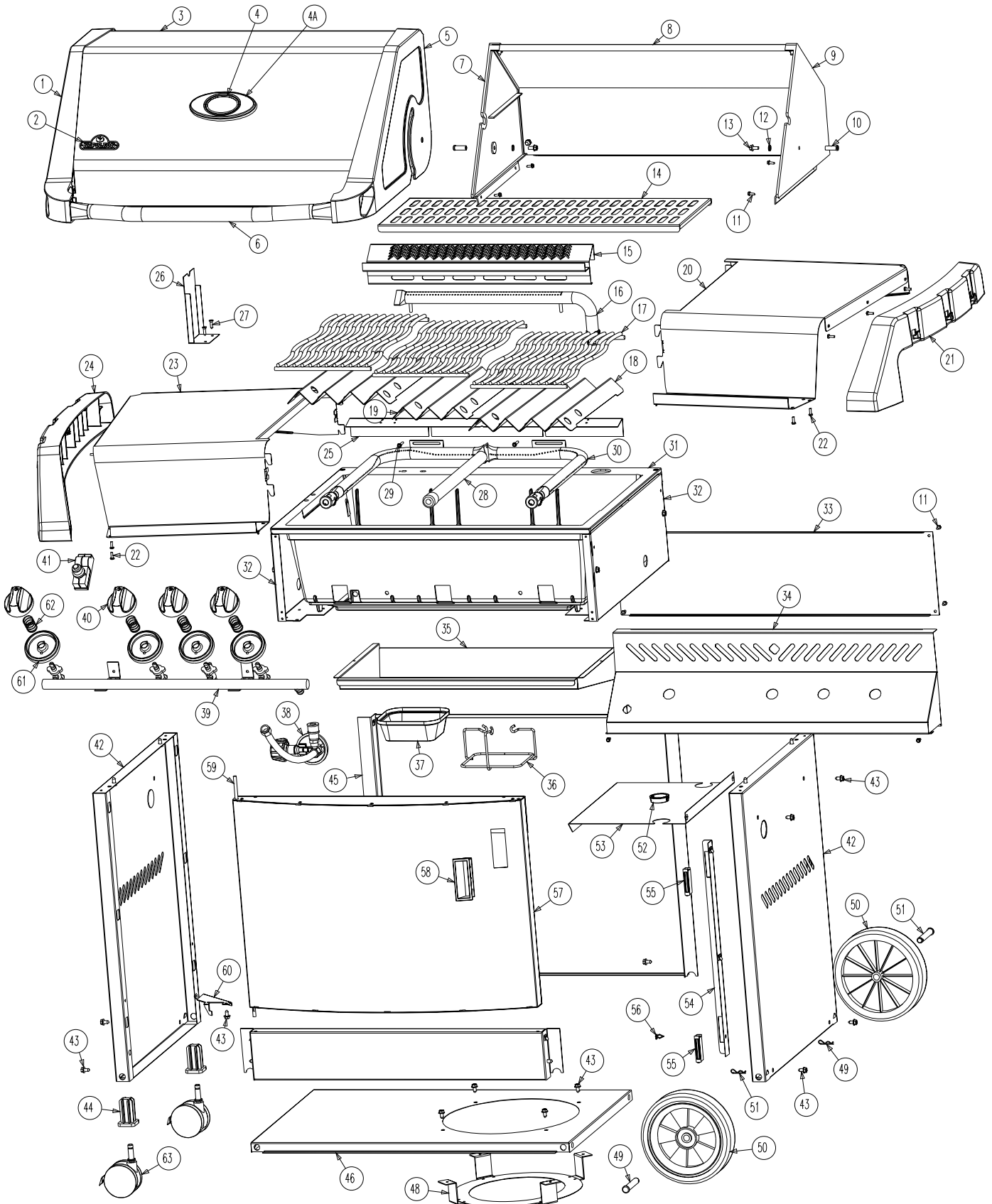
ITEM	308 PART #	450 PART #	DESCRIPTION	
48	n010-0360p	n010-0360p	tank support / support du bonbonne	p
49	n485-0011	-	clevis pin / clavette en U	x
49a		n015-0004	axle / essieu	x
49b		n450-0023	axle cap / enjoliveur	x
50	n745-0007	n745-0007	w heel - each / roue (unité)	x
51	n485-0012	-	cotter pin / clavette d'arrêt	x
52	n105-0002	n105-0002	snap bushing / bague à pression	x
53	n585-0026p	n585-0025p	heat shield / pare-chaleur	p
54	n080-0131p	n080-0131p	magnet bracket / support à aimant	x
55	n430-0002	n430-0002	magnetic catch / loquet magnétique	x
56	n485-0009	n485-0009	push pin / clavette à pression	x
57a	n010-0395k	n010-0392k	cart door - black / porte pour chariot - noir	x
57b	-	n010-0392b	cart door - blue / porte pour chariot - bleu	x
57d	n010-0395ss	n010-0392ss	cart door - stainless steel / porte pour chariot - en acier inoxydable	x
58	n325-0016	n325-0016	snap-in door handle / poignée de porte à pression	x
59	n555-0012	n555-0012	door pivot rod / tige-pivot de porte	x
60	n080-0130p	n080-0130p	door stop bracket / support d'arrêt de porte	x
61	n051-0001	n051-0001	control knob bezel / monture de bouton de commande	x
62	n630-0003	n630-0003	bezel retaining spring / ressort de retenue de monture	x
63	n130-0010	n130-0010	caster - each / roulette (unité)	x
	n010-0211	n010-0216	rear burner orifice assembly / ensemble des orifices brûleur arrière	p
	n010-0212	n010-217	rear burner orifice assembly / ensemble des orifices brûleur arrière	n
	n240-0001	n240-0001	rear burner electrode / électrode du brûleur arrière	x
	n240-0016	n240-0016	main burner electrode / électrode du brûleur principal	x
	n350-0054	n350-0054	collector box - main burner / boîte du collecteur du brûleur principal	x
	n020-0118	n020-0114	main assembly baggie / principal sac d'accessoires pour le montage	x
	64308	64405	rotisserie kit / ensemble de la rôtissoire	x
	63161	63169	vinyl cover / housse en vinyle	ac
	56016	56018	stainless steel griddle / plaque de cuisson en acier inoxydable	ac
	67308	67450	charcoal tray / support à charbon	ac

x - standard
x - compris

p - propane units only
n - natural gas units only
ac - accessory

p - appareils propane seulement
n - appareils gaz naturel seulement
ac - accessoires

NOTES:



NAPOLEON APPLIANCE CORPORATION ACCESSORIES / PARTS ORDER FORM

FAX TO: 1-705-727-4282

PLEASE PRINT CLEARLY

CUSTOMER NAME: _____

DATE: _____

ADDRESS: _____

MODEL #: _____

SERIAL #: _____

TELEPHONE: _____

VISA OR MASTERCARD #: _____

EXPIRY DATE: _____

QUANTITY	PRODUCT NUMBER	DESCRIPTION

TAXES & SHIPPING CHARGES MAY APPLY

Free Manuals Download Website

<http://myh66.com>

<http://usermanuals.us>

<http://www.somanuals.com>

<http://www.4manuals.cc>

<http://www.manual-lib.com>

<http://www.404manual.com>

<http://www.luxmanual.com>

<http://aubethermostatmanual.com>

Golf course search by state

<http://golfingnear.com>

Email search by domain

<http://emailbydomain.com>

Auto manuals search

<http://auto.somanuals.com>

TV manuals search

<http://tv.somanuals.com>